

PARTS LIST



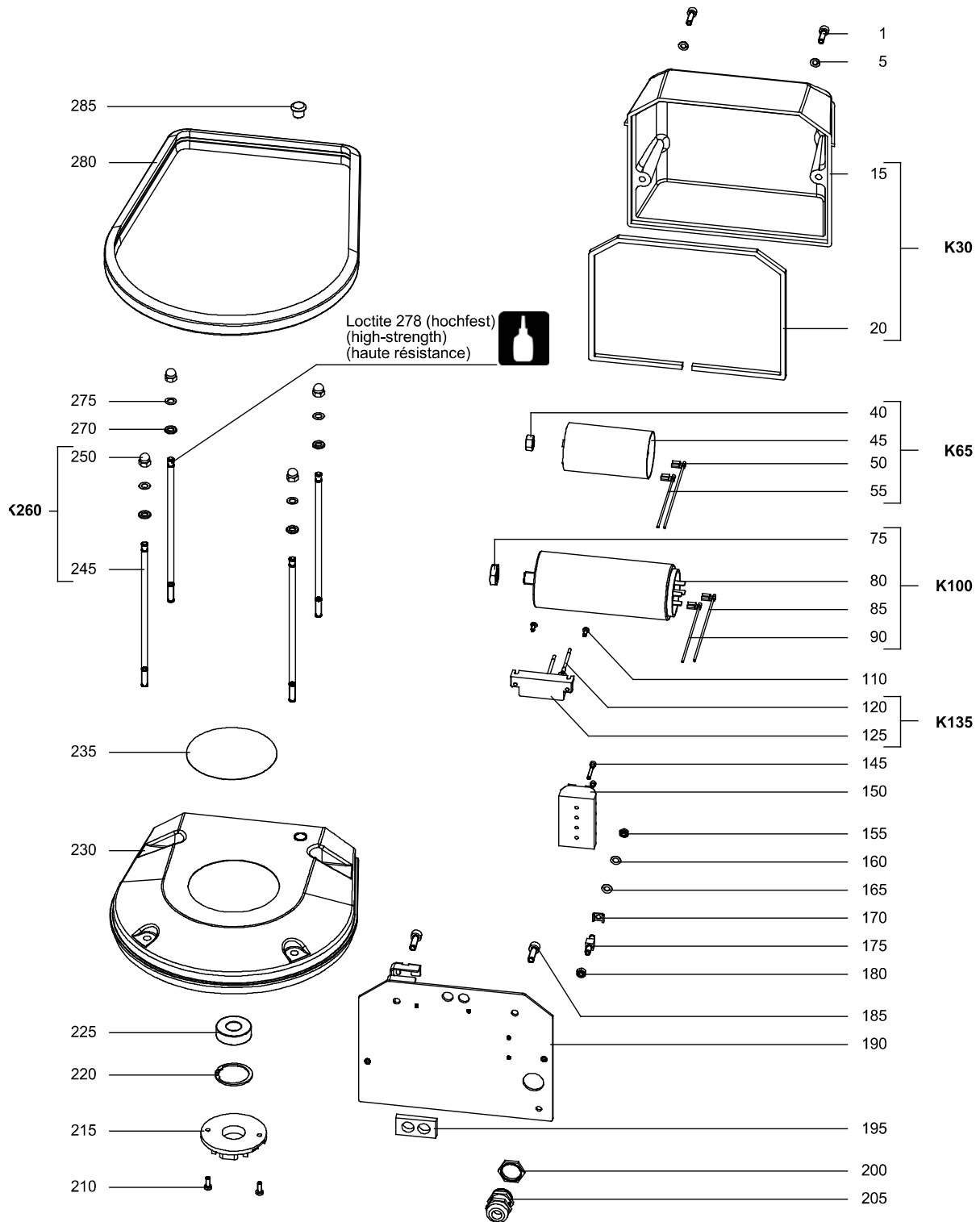
2023.08.07

NILFISK

Ersatzteile unter www.gluesing.net

TABLE OF CONTENTS

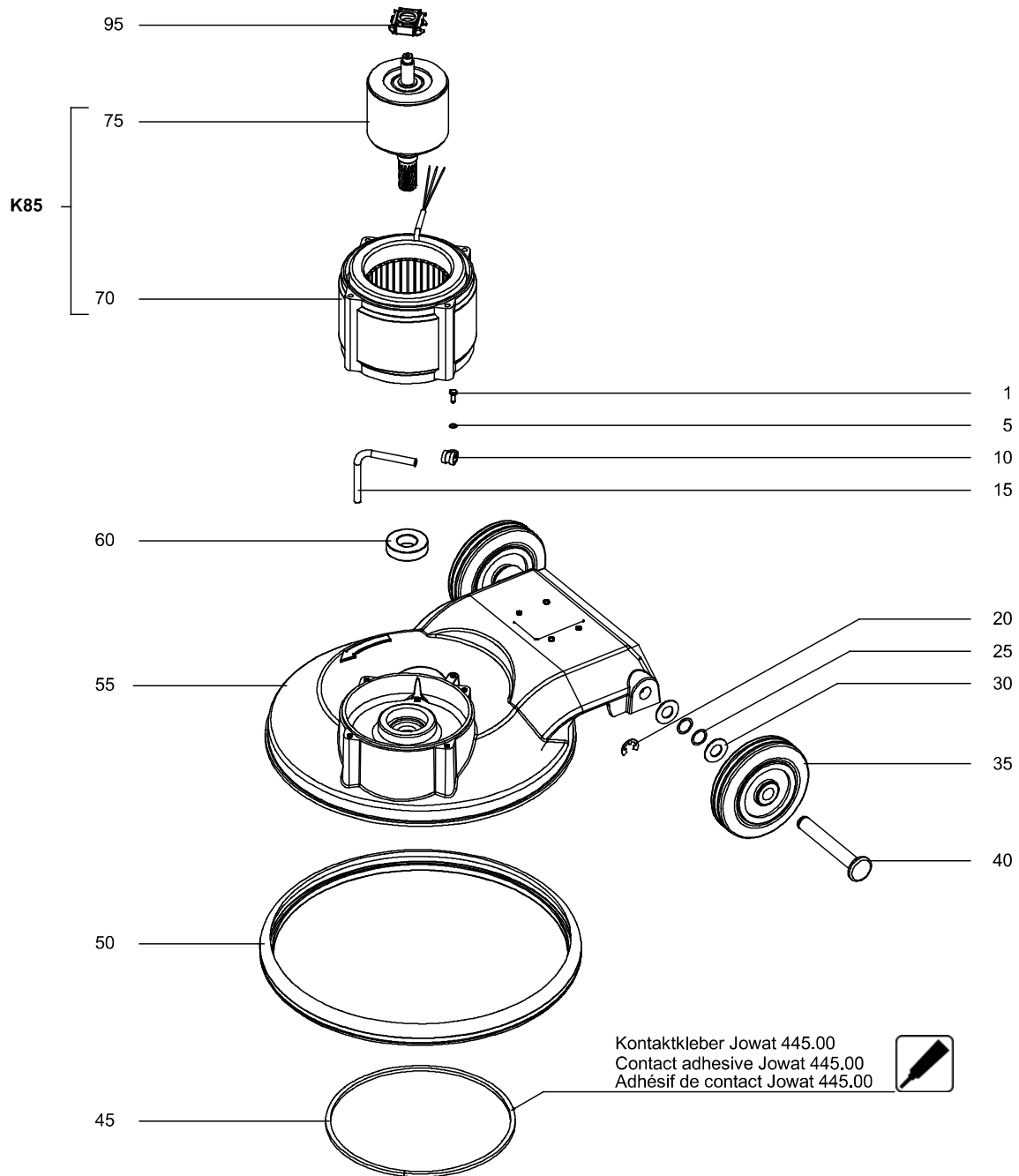
Motor hood (from serial no.233 050)	1
Drive (from serial no.233 050)	3
Drive - Gear box (from serial no.233 050)	5
Handle - Switch case (from serial no.233 050)	7
Handle - Steering rod (from serial no.233 050)	9
Sub assembly of covering (After SN. 230683)	11
Gear (After SN. 230683)	13
Switch case (After SN. 230683)	15
Handle with bearing (After SN. 230683)	17
SPRAYER	19
SUCTION SKIRT	21
CARBORUNDUM RING	23
BRUSH AGGREGATE	25
HANDGRIFF TEIL (AB SN 222834)	27
BASIS TEILE (AB SN 223358)	30
ACCESSORIES	33
TANK	35
BÜRSTENAGGREGAT	37



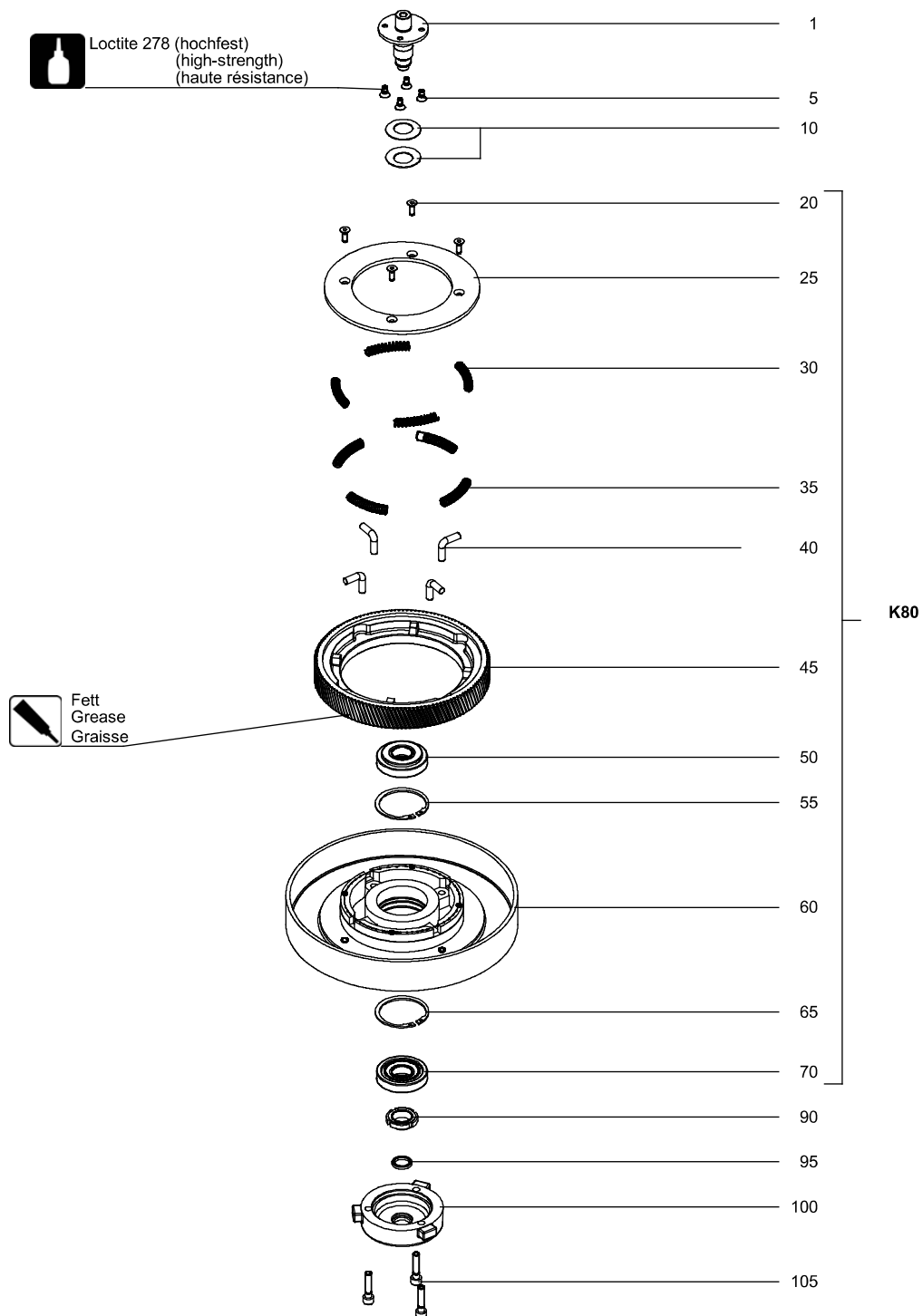
Pos.	Artikel-Nr.	Menge	Variante	Notes
1	L08603178	2	CYLINDER SCREW M5X20 GALV.	
5	L08316800	2	WASHER	[1]
15		1	Cover for capacitor box	
20	L08353700	1	Dichtung 4x6x650	
K30	L08606635	1	COVER BOX KIT	
40		1	Hexagon nut M8 AU galv.	
45		1	Capacitor 200µF 320V	
45		1	Starting capacitor 550µF	
50		1	Strand blue 1,5mm²x175mm	
55		1	Strand brown 1,5mm²x175mm	
K65	L08363601	1	Kondensator 200 MF 510 B	
K65	L08301200	1	CONDENSER 550MF	
75		1	Hexagon nut M12 galv.	
80		1	Capacitor 40 µF	
80		1	Operating capacitor 100µF	
85		1	Strand blue 1,5mm²x175mm	
90		1	Strand brown 1,5mm²x175mm	
90		2	Strand black 1,5mm² x 245mm	
K100	L08059300	1	Kondensator 71524.008PL	[1]
K100	L08301100	1	RUNNING CAPACITOR 100 MF	
110	L08327900	2	Flachkopfschr. M3x8,FormA	
120		2	Strand green 1,5mm x 160 mm	
125		1	Motor protection switch 10A	
125		1	Motor protection switch 15A 110V/50Hz	
K135	L08304400	1	Motorschutzschalter 10A	
K135	L08361500	1	MOTOR PROTECTION SWITCH	
145	L08714232	2	Cylinder screw M3x22 galv.	
150	L08608262	1	Terminal, 5 pole	
155	L08081100	1	Mutter	
160	L08040300	1	Zahnscheibe	
165	33023195	1	WASHER M5 UNI6592 10 PCS SET	
170	L08048400	1	Klemmbügel	
175	L08048500	1	Achse	
180	L08081100	1	Mutter	
185	L08249100	2	SCREW	[1]
190	L08353003	1		
195	L08227300	1	JOINT	
200	L08703045	1	HEXAGON NUT PG13 5MS FLAT	
205	L08239100	1	VERSCHRAUBUNG	
210	L08041100	2	SCREW	[2]
215	L08041000	1	Fliehkraftschalterzu 511A	
220	L08040900	1	SICHERUNGSRING 35X1,5	
225	L08040800	1	Kugellager 6202-2RSSiehe 145 2361 000	
230	L08364800	1	Motorabdeckung	
235	L08602724	1	Typenschild 510 B	
245		1	Threaded rod M6x172	
250		1	Cap nut M6 A2	
K260	L08708839	4	THREADED ROD WITH CAP NUT	
K260	L08057500	4	SECHSKANTSCHR. M6X150	
270	L08050400	4	SCHEIBE CUZN M6 DIN 125A	
275	L08035800	4	FEDERRING B 6 A2	
280	L08050700	4	STOßBANDPROFIL DECKEL 840	
285	L08714216	1		

Part Notes:

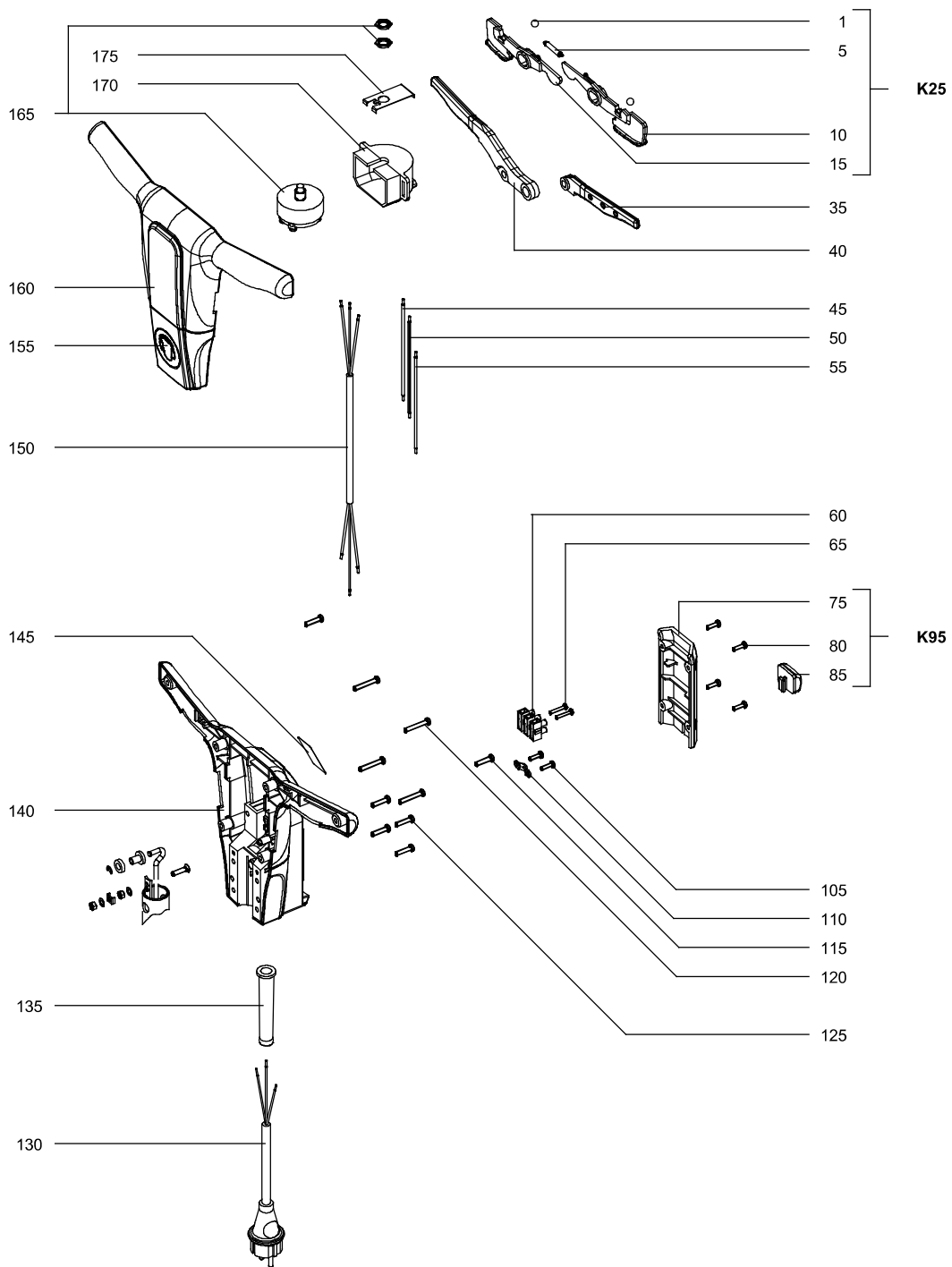
- [1] - Guarantee date expired
[2] - CLOSED BY VENDOR



Pos.	Artikel-Nr.	Menge	Variante	Notes
1	L08703113	1	HEXAGON SCREW M6X14 GALV.	
5	L08050300	1	FÄCHERSCH. A 6,4 DIN6798	
10	L08703713	1	PIPE CLAMP D10	
15	L08612114	1	LIQUID TUBE	
20	L08073500	2	SICHERUNGSRING	
25	L08608222	4	BALL BEARING DISC	
30	L08351100	4	Ring PA	
35	L08608072	2	WHEEL D160X20	
40	L08073400	2	Achsbolzen 510B	
45	L08054900	1	Filzdichtung	
50	L08055000	1	Schutzgummi BRM 510B	
55	L08072103	1	CASE	
60	L08051600	1	Kugellager 6206-2RS	
70		1	Stator	
75		1	Rotor with pinion	
K85	L08066453	1	STATOR WITH ROTOR 230V/50HZ	
K85	L08066454	1	STATOR WITH ROTOR 110V/50HZ	
K85	L08066457	1	STATOR WITH ROTOR 220V/60HZ	
95	L08041200	1	FliehkraftschalterWellenkil zu 545	
95	L08045600	1	Fliehkraftschalter	



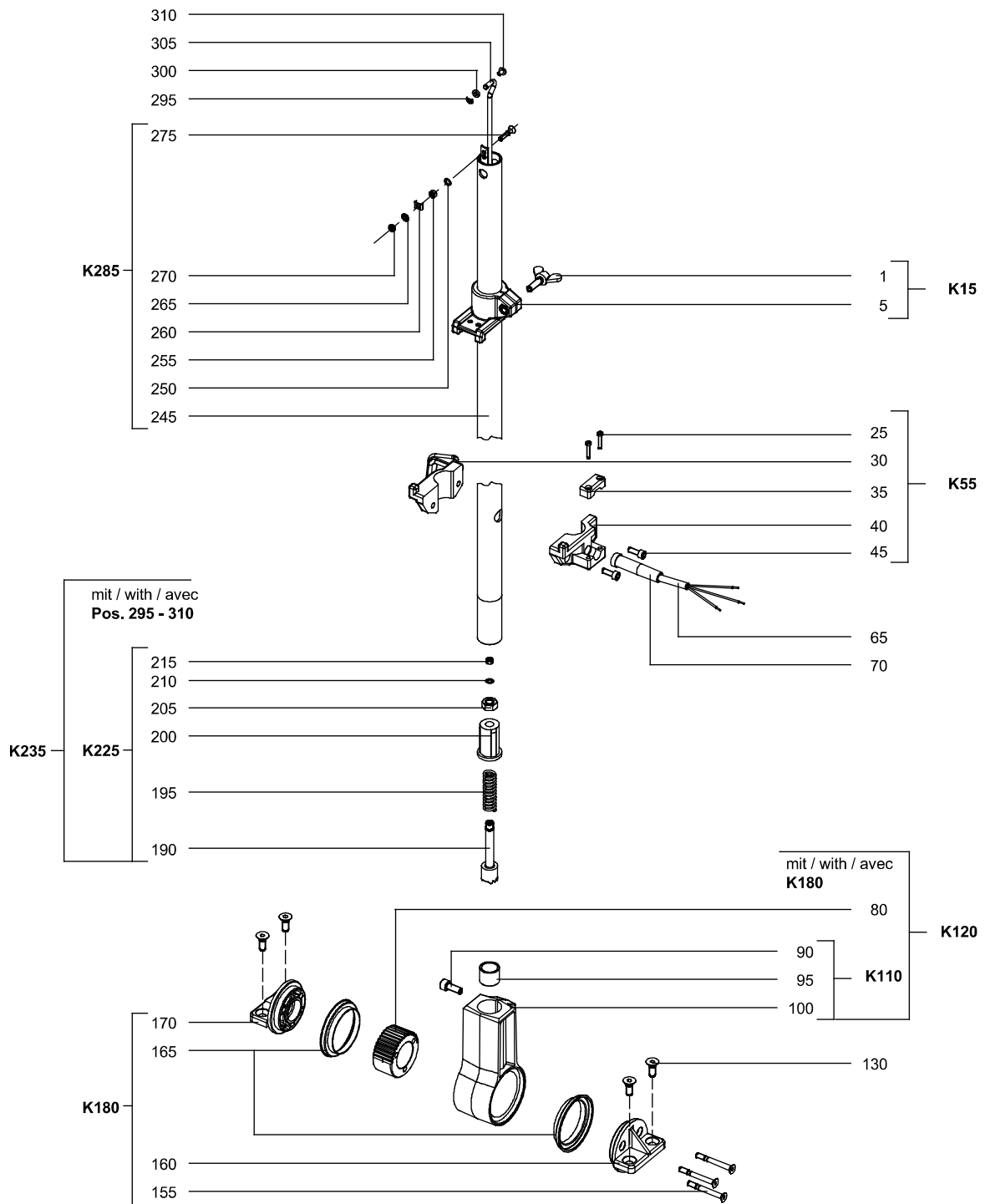
Pos.	Artikel-Nr.	Menge	Variante	Notes
1	L08196300	1	LAGERBOLZEN	
5	L08042500	4	Senkschraube M8 x 16verzinkt	
10	L08054500	2	Ring	
20	L08035400	4	SENKSCHRAUBE M 6x16 VZ	
25	L08074200	1	ABDECKSCHEIBE	
30	L08052200	4	ANLAUFFEDER 10 X 35	
35	L08042800	4	Anlauffeder	
40	L08162400	4	Winkel	
45	L08061000	1	Zahnrad 50Hz zu 510/B	
45	L08055300	1	Zahnrad 50Hz zu 510	
50	L08061200	1	Kegelrollenlager zu 510B3(30206CZ)	
55	L08060900	1	SICHERUNGSRING	
60	L08160300	1	Deckel / Gear Box	
65	L08060900	1	SICHERUNGSRING	
70	L08061200	1	Kegelrollenlager zu 510B3(30206CZ)	
K80	L08601354	1	GEAR BOX CPL. 50HZ	
K80	L08601357	1	GEAR BOX CPL. 60HZ	
90	L08193800	1	NUTMUTTER M 25 X 1,5	
95	L08061600	1	DICHTUNGSRING	
100	L08070800	1	BUERSTENHALTER	
105	L08293300	3	Schraube M8x35 GALV	



Pos.	Artikel-Nr.	Menge	Variante	Notes
1		2	Steel ball D8,0	
5		1	Tension spring	
10		1	Switch-on lever, left	
15		1	Switch-on lever, right	
K25	L08709367	1	SWITCH-ON LEVER SET	
35	L08609208	1	LIQUID LEVER	
40	L08609206	1	ADJUSTING LEVER	
45	L08609303	1	STRAND BROWN	
50	L08609241	1	STRAND YELLOW-GREEN	
55	L08609304	1		
60	L08609240	1		
65	L08600176	2	SCREW C38	[1]
75		1	Terminal box cover	
80		4	Screw 4x14-A3K 10.9	
85		1	Socket cover	
K95	L08709369	1	TERMINAL BOX COVER CPL.	
105	L08714264	2	SCREW 4X14-A3K 10.9	
110	L08609213	1	STRAIN RELIEF CLAMP	
115	L08714265	2		
120	L08714266	4	SREW 5X30-A3K 10.9	
125	L08714265	4	SCREW 5X20-A3K 10.9	
130	L08083901	1	ZULEITUNG 12 M M.ANGESPR.	
130	L08601433	1	SUPPLY LINE 12 5 METERS 110V/50HZ	
135	L08081700	1	Tülle	
140	L08709370	1	SWITCH CASE BACK PART W/O SOCKET	
145	L08718031	1	ADHESIVE LABEL READ INSTRUCTIONS 50X25	
150	L08088901	1	KABEL 1,5 M LANG	
150	L08088905	1	CABLE INTERNAL 110V	
155	L08609202	1	SWITCH CASE FRONT PART	
160	L08080300	1	SCHALTER	
160	L08080301	1	SWITCH 110V	
165	L08609211	1	ADAPTER	
170	L08609218	1	SAFETY PLATE	

Part Notes:

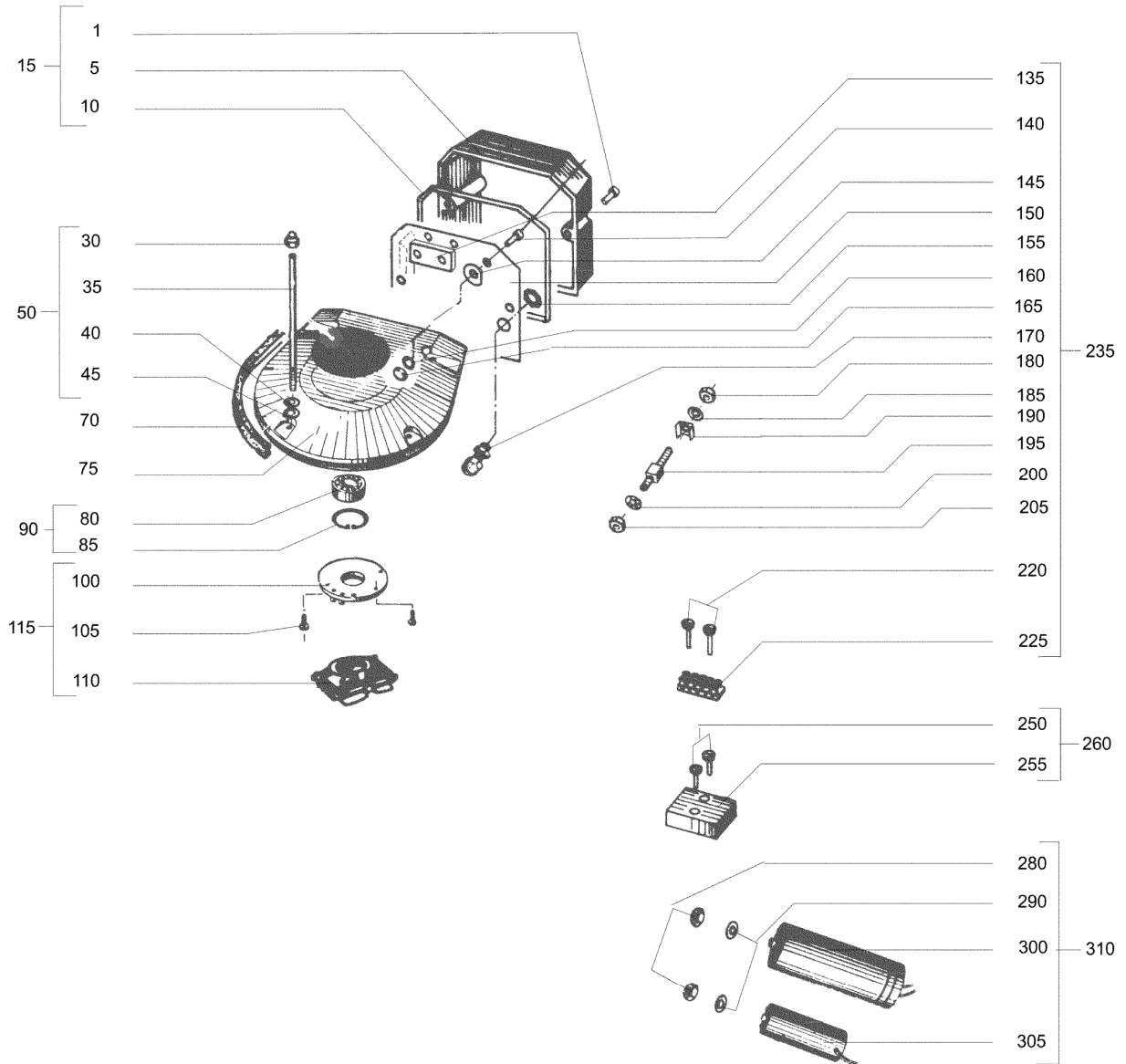
[1] - CLOSED BY VENDOR



Pos.	Artikel-Nr.	Menge	Variante	Notes
1	L08083500	1	FLUEGELSCHRAUBE	
5	L08601395	1	Tankhalter 421A	
K15	L08601411	1	TANKHALTER KPL.	
25	L08080600	2	M4X20 DIN 84 VZ	
30	L08601394	1	Kabelhalter	
35	L08187000	1	BRIDE	
40	L08601393	1	Klemme m.Zugentlastung	
45	L08043800	2	M6X16 DIN 912 A2	
K55	L08601412	1	Kabelhalter kompl.	
65	L08088901	1	KABEL 1,5 M LANG	
65	L08088905	1	CABLE INTERNAL 110V	
70	L08088001	1	SLEEVE	
80	L08084500	1	Zahnsegment	
90	L08085800	1	CYLINDER SCREW M8X30 GALV.	
95	L08346600	1	Lager	
100	L08188600	1	Halterung FörderstangeBRM	
K110	L08606197	1	Griffkit	
K120	L08163700	1	Führungsstangenlagerkompl.	
130	L08084400	4	SCHRAUBE 8MM	
155	L08084700	3	COUNTERSUNK SCREW M6X54	
160		1	Supporting disc	
165		2	Friction bearing	
170		1	Supporting disc with nuts	
K180	L08605035	1	HOLDER	
190	L08081500	1	Einrastbolzen	
195	L08081400	1	Feder zu Stiel BRM	
200	L08081300	1	BUECHSE ZU STIEL BRM	
205	L08081200	1	NUT HEX M10X1.5 UNI5588	
210	L08040300	1	Zahnscheibe	
215	L08081100	1	Mutter	
K225	L08606195	1	Rastbolzen kompl. 421 B/C	
K235	L08303800	1	ZUGSTANGE KPL. L1100	
245	L08605113	1	Griffrohr 930mm lg.	
250	L08040300	1	Zahnscheibe	
255	L08081100	1	Mutter	
260	L08048400	1	Klemmbügel	
265	L08040300	1	Zahnscheibe	
270	L08082700	1	Mutter M5	
275	L08041600	1	M5X20 DIN 7991 VZ**	[1]
K285	L08606290	1	HANDLE TUBE WITH EARTHING 930MM	
295	L08082300	1	SICHERUNGSRING	
300	L08082200	1	BEILEGESCHEIBE	
305	L08303400	1	STRUT L 910 MM	
310	L08082100	1	BUECHSE F. VERSTELLHEBEL	

Part Notes:

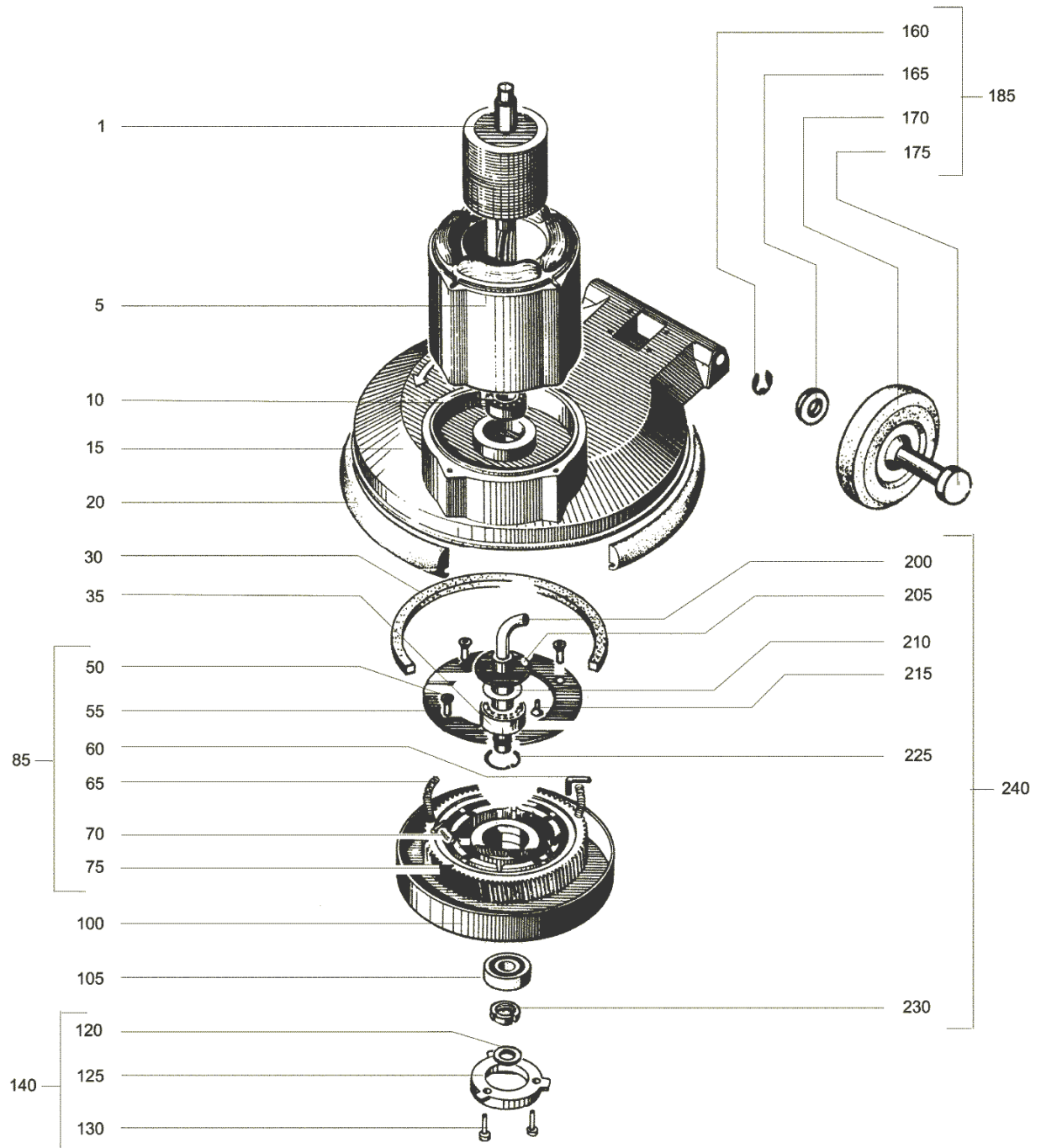
[1] - No replacement part



Pos.	Artikel-Nr.	Menge	Variante	Notes
15	L08606635	1	COVER BOX KIT	
50	L08606203	4	MOTOR SCREW CONNECTION CPL KIT	[1]
70	L08050700	1	STOßBANDPROFIL DECKEL 840	
75	L08364802	1	MOTOR COVER 510 B	
90	L08606240	1	BALL BEARING AND WASHER KIT	
115	L08606178	1	Kontaktplatte m. Schalter	[2]
115	L08606177	1	CONTACT PLATE W. SWITCH BODY KIT	
235	L08606237	1	HOLDING PLATE+SEAL+EARTHING LEAD KIT	[1]
260	L08606239	1	MOTOR PROTECTION SWITCH+FAST. 60 HZ KIT	[1]
260	L08606238	1	MOTOR PROTECTION SWITCH+FAST. 50 HZ KIT	
310	L08606204	1	CAPACITOR SET 50/230	
310	L08606205	1	CAPACITOR SET 50/110-125	[3]

Part Notes:

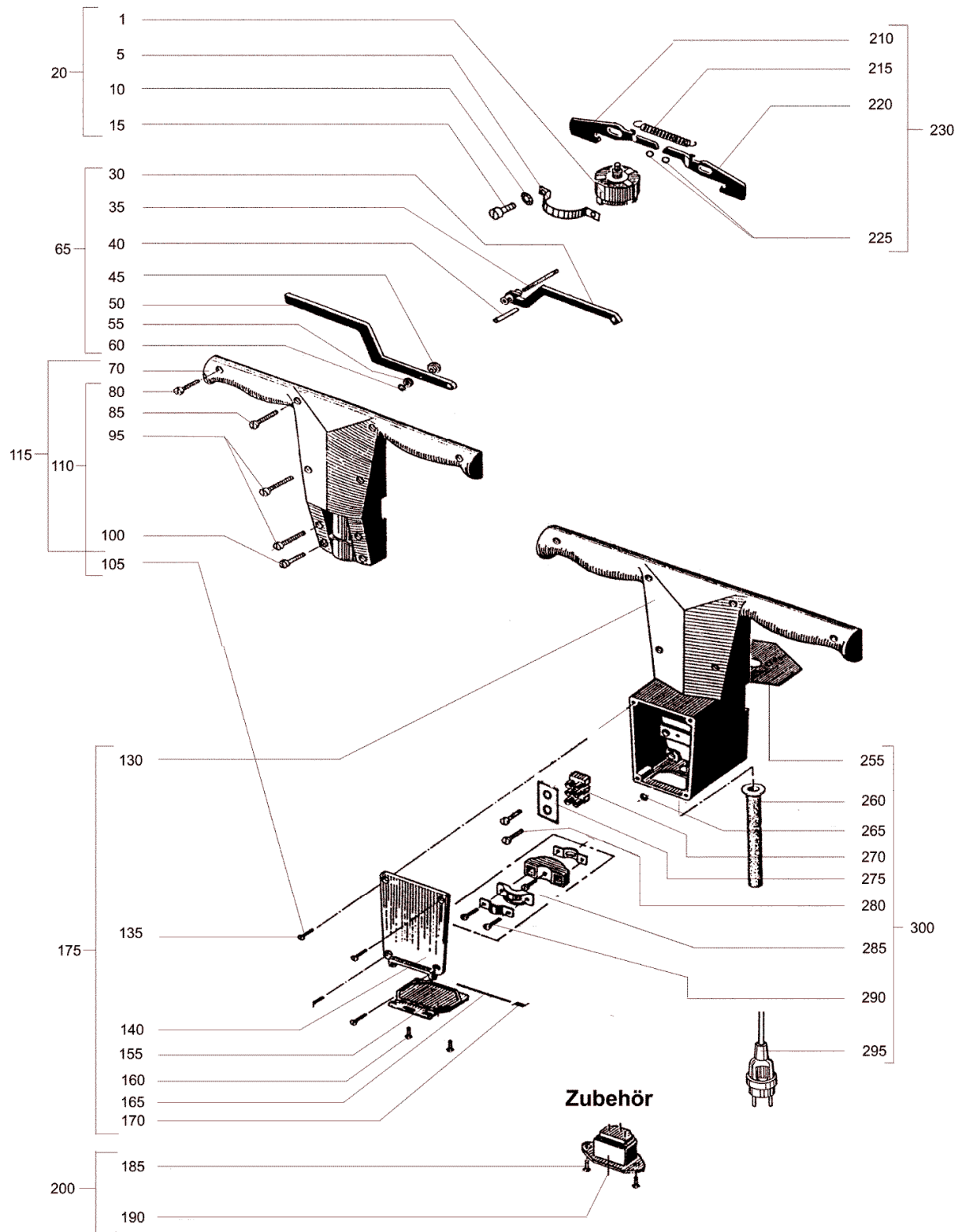
- [1] - NO LONGER AVAILABLE
- [2] - STOCK COVERS GUARANTEE
- [3] - GUARANTEE DATE EXPIRED



Pos.	Artikel-Nr.	Menge	Variante	Notes
1	L08155700	1	Rotor m.Ritzel Z14 M 1,5	
1	L08155800	1	ROTOR WITH PINION Z 12. M	
5	L08267451	1	STATOR M.DECKEL 510B (230	[1]
5	L08066429	1	STATOR 510B USA 60/110-11	[2]
10	L08051600	1	Kugellager 6206-2RS	
100	L08160300	1	Deckel / Gear Box	
105	L08061200	1	Kegelrollenlager zu 510B3(30206CZ)	
140	L08606214	1	Bürstenaufnahme kpl.	[3]
15	L08072103	1	CASE	
185	L08606206	2	Rad Radbolzen-Set	[4]
20	L08055000	1	Schutzgummi BRM 510B	
240	L08606241	1	Getriebelagersatz	[3]
30	L08054900	1	Filzdichtung	
35	L08061200	1	Kegelrollenlager zu 510B3(30206CZ)	
85	L08606212	1	GEAR WHEELS KIT 50 HZ	
85	L08606213	1	GEAR WHEELS KIT 60 HZ	

Part Notes:

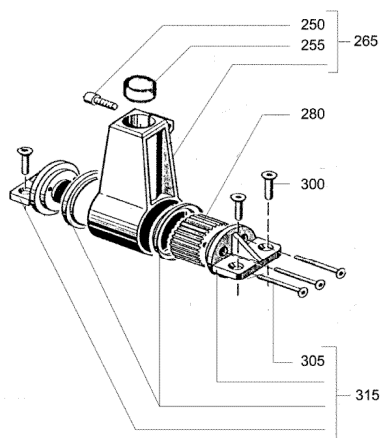
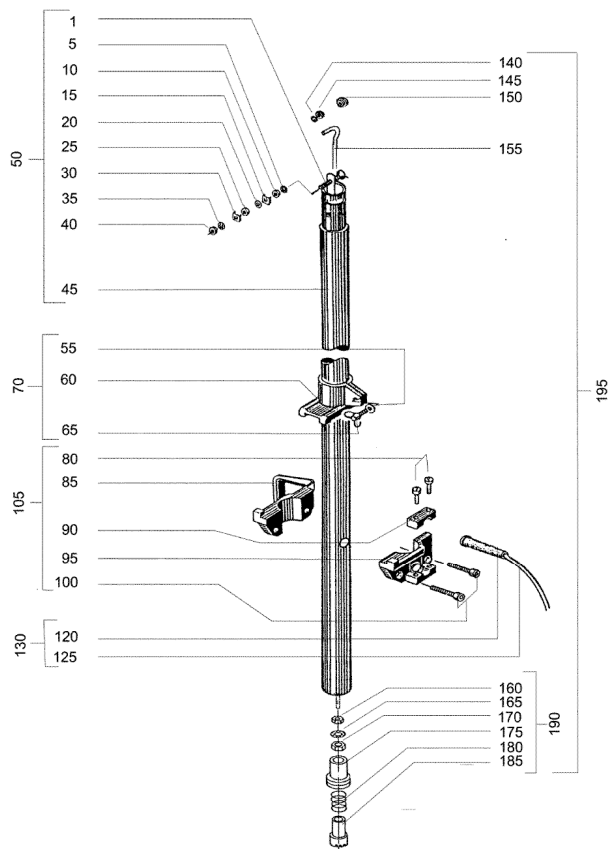
- [1] - NO LONGER AVAILABLE
- [2] - GUARANTEE DATE EXPIRED
Incl. pos. 1
- [3] - GUARANTEE DATE EXPIRED
- [4] - STOCK COVERS GUARANTEE



Pos.	Artikel-Nr.	Menge	Variante	Notes
110	L08606219	1	SCREW KIT	
115	L08606190	1	CASE FRONT PART WITH SCREWS - KIT	
175	L08606637	1	SWITCH CASE WITH SOCKET CPL - KIT	
20	L08606188	1	BUILT-IN SWITCH WITH FASTENING	[1]
200	L08606636	1	SOCKET CPL. WITH SCREW - KIT	
230	L08606191	1	Anlasshebel Kit	
300	L08606210	1	PLUG CORD WITH FASTENING	
65	L08606189	1	Justierhebel	

Part Notes:

[1] - GUARANTEE DATE EXPIRED

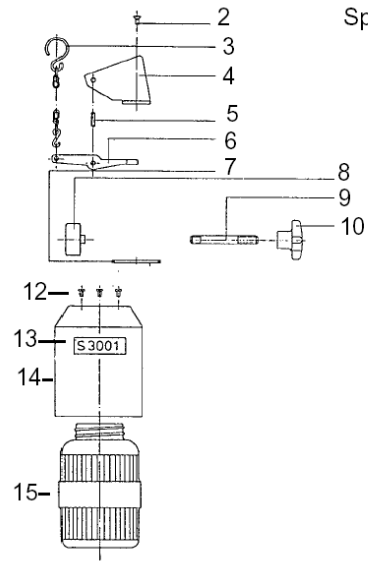


cpl. 163705

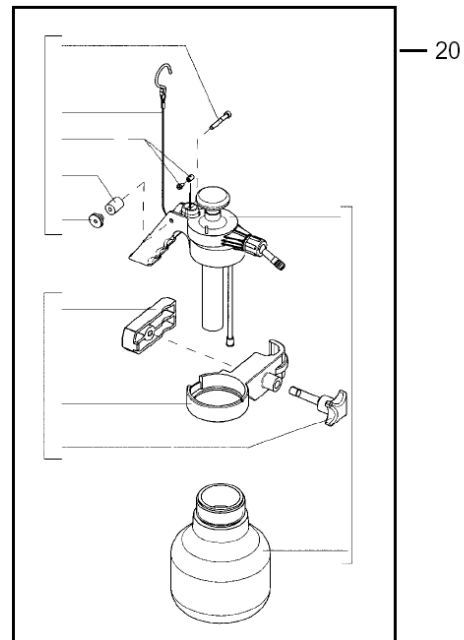
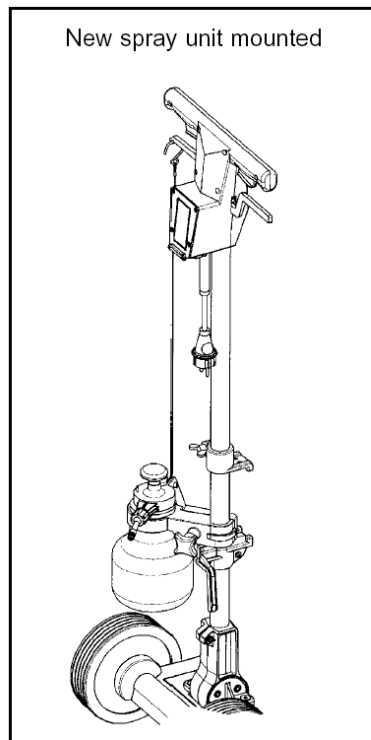
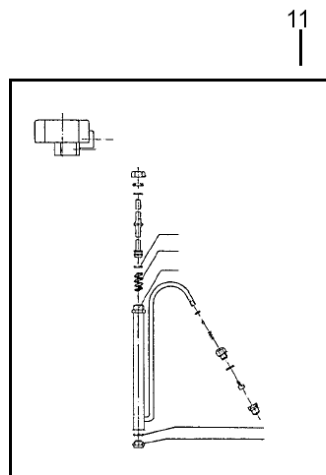
Pos.	Artikel-Nr.	Menge	Variante	Notes
00	L08403731	1	HANDLE WITH PLUG 220-250V	[1]
105	L08601412	1	Kabelhalter kompl.	
130	L08606208	1	Kabel mit Zugentlastung	
190	L08606195	1	Rastbolzen kompl. 421 B/C	
195	L08303800	1	ZUGSTANGE KPL. L1100	
265	L08606197	1	Griffkit	
280	L08084500	1	Zahnsegment	
300	L08600745	4	Schraube M8x20	
305	L08084700	3	COUNTERSUNK SCREW M6X54	
315	L08605035	1	HOLDER	
50	L08606249	1	Griffrohr mit Erdung	
70	L08601411	1	TANKHALTER KPL.	

Part Notes:

- [1] - From Pos 315 and up to Handle complete
GUARANTEE DATE EXPIRED



Spare parts for spray unit 08407700

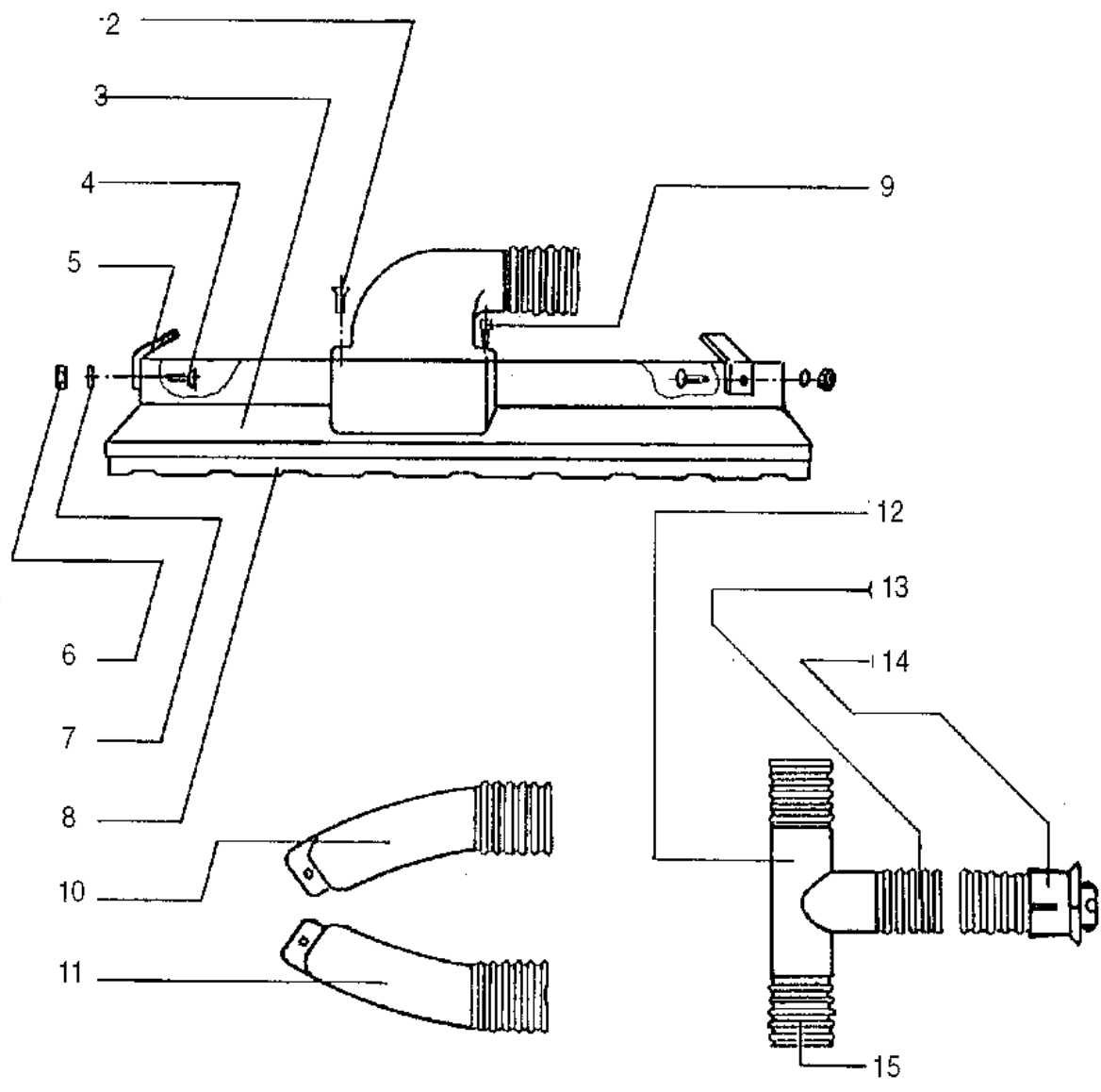


Resource notes:

Pos.	Artikel-Nr.	Menge	Variante	Notes
01	L08608579	1	Sprüher 1 Liter	[1]
02	L08201000	1	LINSENKSCHEIBE M4X10	[1]
03	L08608579	1	Sprüher 1 Liter	[1]
04	L08102000	1	HOLDER FOR ROCKER ARM	[1]
05	L08102100	1	STIFT ZU SPRAYGERAET	[1]
06	L08608579	1	Sprüher 1 Liter	[1]
07	L08265300	1	SEAL	[1]
08	L08103700	1	KLEMMSTUECK	[1]
09	L08103900	1	BOLT	[1]
10	L08104000	1	WING SCREW M 10	[1]
11	L08249300	1	PUMP AND HOLDER	[2]
12	L08286700	1	KNIPPING-KERBSCHR.3,9X9,5	[1]
12	L08105400	1	Flachkopfschraube M 4x8	[3]
13	L08250700	1	PLATE S 3001	[3]
14	L08104200	1	COVER	[1]
15	L08249500	1	CONTAINER FOR SPRAY AGGR.	[4]
20	L08608579	1	Sprüher 1 Liter	[1]
21	L08606359	1	TRACTION ROPE WITH FIXTURE	[5]
22	L08606360	1	SPRAYER HOLDER CPL.	[5]
23	L08608578	1	SPRAY UNIT CPL.	[5]

Part Notes:

- [1] - NO LONGER AVAILABLE
- [2] - CLOSED BY VENDOR
- [3] - GUARANTEE DATE EXPIRED
- [4] - TSB DK 2004-014
- [5] - OLD ACCESSORIES OBSOLETE MACHINES

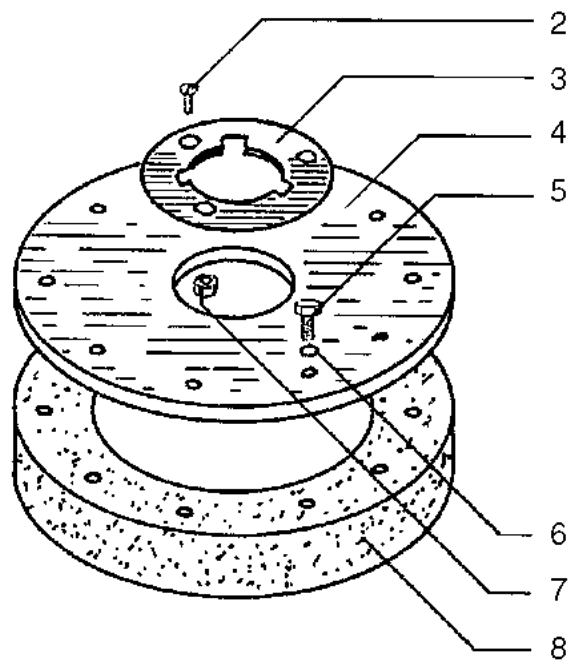
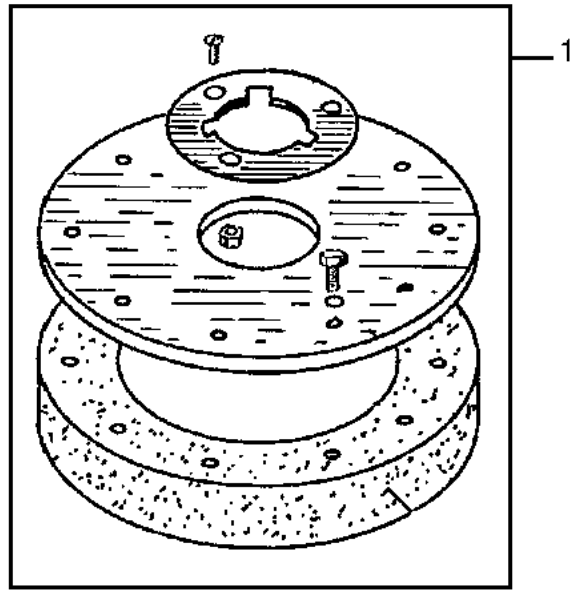


Resource notes:

Pos.	Artikel-Nr.	Menge	Variante	Notes
01	L08502600	1	SUCTION RING FOR 510 B COMP.	[1]
02	L08035400	2	SENKSCRAUBE M 6x16 VZ	
03	L08036000	1	SUCTION RING	[2]
04	L08035900	3	SCREW M 6X20	[2]
05	L08251700	3	SQUARE	[2]
06	33005502	3	Nuss M6	
07	L08035800	3	FEDERRING B 6 A2	
08	L08036100	1	SAUGLIPPE	[2]
09	L08043800	2	M6X16 DIN 912 A2	
10	L08036300	1	SUCTION KNEE RIGHT	[2]
11	L08036400	1	SUCTION NOZZLE LEFT	[2]
12	L08036600	1	T-TUBE	[2]
13	L08036500	1	HOSE	[2]
14	L08199500	1	VACUUM CONNECTION GS 80	[3]
15	L08036200	2	SAUGSCHLAUCH D38X380	[2]

Part Notes:

- [1] - ACCESSORY FOR OBSOLETE PLATFORM
- [2] - NO LONGER AVAILABLE
- [3] - CLOSED WITHOUT REPLACEMENT, OBS. MACHINE

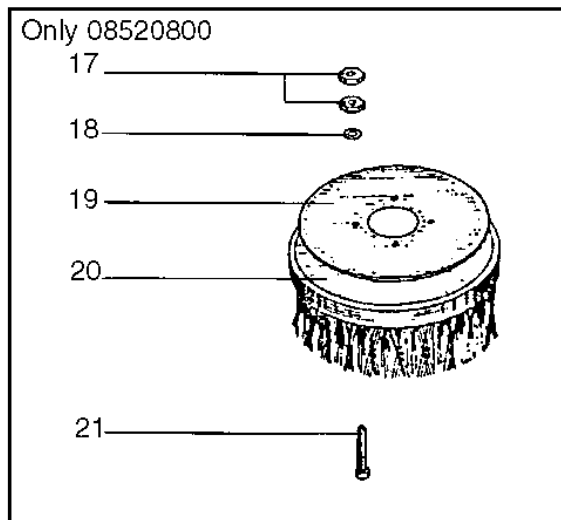
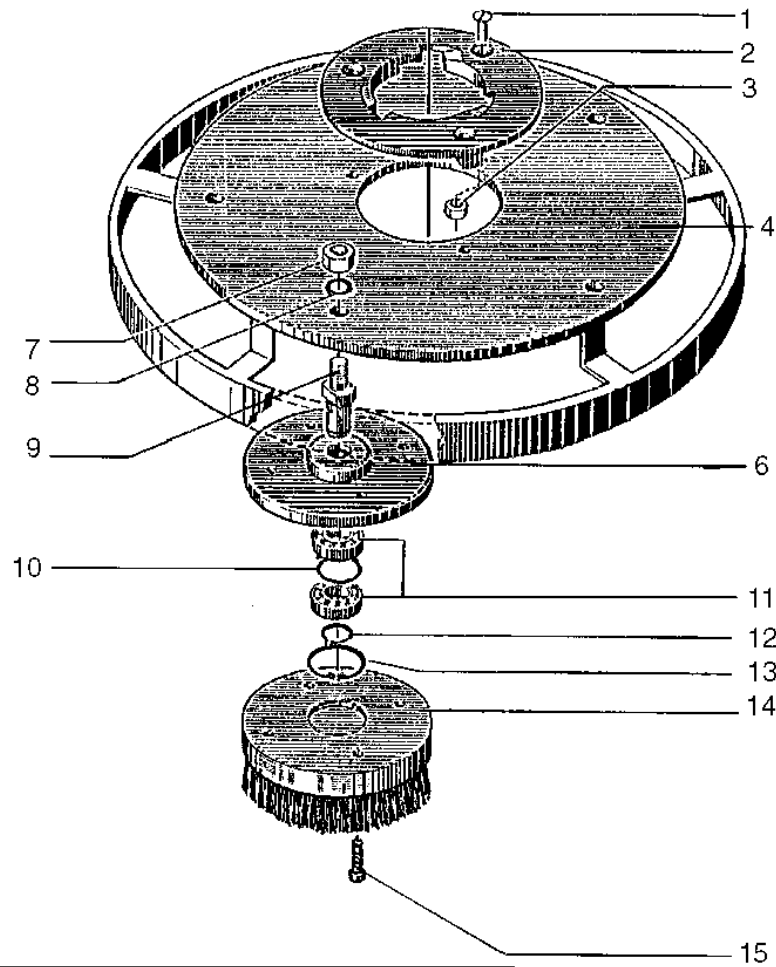


Resource notes:

Pos.	Artikel-Nr.	Menge	Variante	Notes
01	L08521600	1	Schleifstein	[1]
02	L08061500	1	SCREW M10X45	[2]
03	L08061901	1	Bayonettring 510B-3	
04	L08076200	1	WOODEN PLATE	[2]
05	L08076400	1	SCREW M12X45	[2]
06	L08076300	1	DISC	
07	33005505	1	NUT HEX M10 UNI5588	

Part Notes:

- [1] - 2020 ACCESSORY PRUNING
[2] - NO LONGER AVAILABLE

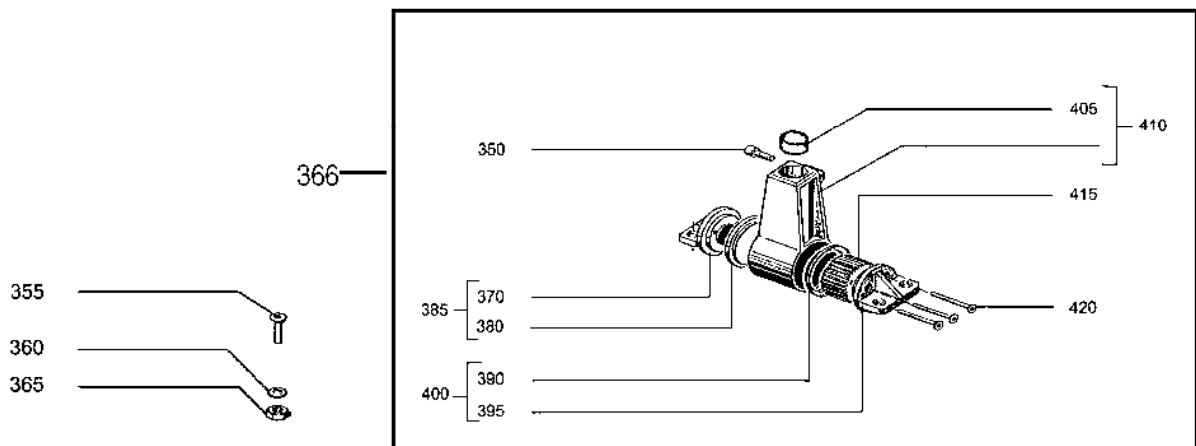
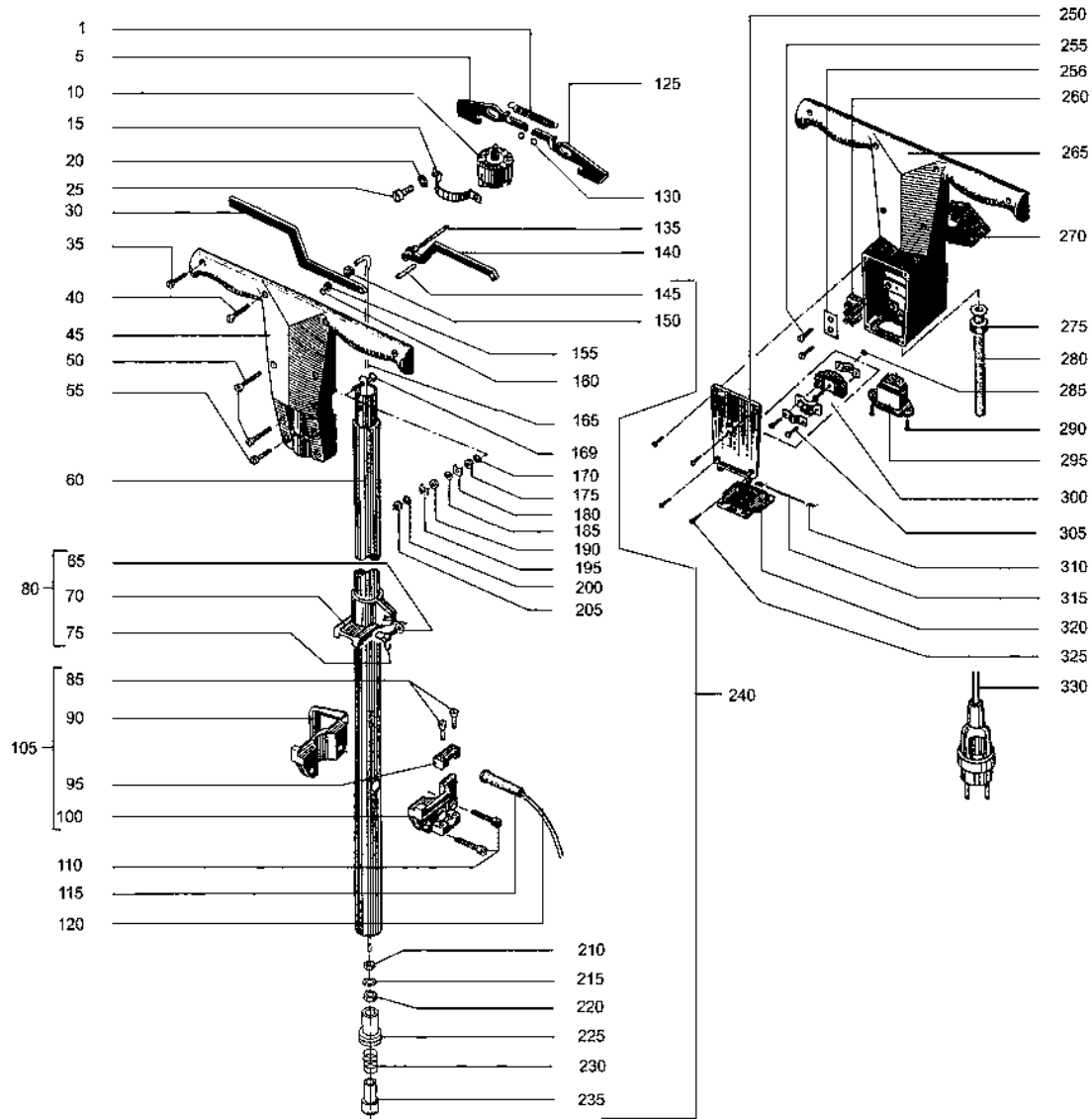


Resource notes:

Pos.	Artikel-Nr.	Menge	Variante	Notes
01	L08145300	1	SENKSCRAUBE M10X35	[1]
02	L08145300	1	SENKSCRAUBE M10X35	[1]
03	33005505	1	NUT HEX M10 UNI5588	
04	L08075100	1	Haltehalter, klein	[1]
05	L08075800	1	Platte f. 08520800	[1]
05	L08520800	1	Bürsten-AggregatKreuzborsten	
06	L08075500	1	Bürstenbefestigung	[1]
07	L08075200	1	MUTTER M12 DIN 934 VZ	[1]
08	L08075300	1	WASHER	[1]
09	L08075400	1	BOLZEN-KRATZBUERSTE	[2]
10	L08075900	1	PAßSCHEIBE 25X35X1	[1]
11	L08040800	1	Kugellager 6202-2RSSiehe 145 2361 000	
12	L08075600	1	SICHERUNSRING	[1]
13	L08040900	1	SICHERUNGSRING 35X1,5	
14	L08520600	1	Kratzbürsten-Aggregat, Federstahl	
14	L08526000	1	AGGREGATE WIRE	[3]
14	L08511300	1	Bürstenaggregat Stahldraht 0,35 mm	[3]
14	L08525900	1	Kratzbürstenaggregat PPN	[3]
14	L08511200	1	Bürstenaggregat Perlon/Draht	[3]
15	L08071300	1	M6X25 DIN 912	[1]
16	L08520800	1	Bürsten-AggregatKreuzborsten	
17	33005502	1	Nuss M6	
18	L08050300	1	FÄCHERSCH. A 6,4 DIN6798	
19	L08157000	1	ABDECKSCHEIBE D190X2,5X50	[2]
20	L08522200	1	STEEL BRUSH FOR BRUSH AGG.	
21	L08159700	1	SCREW M 6X45	[1]

Part Notes:

- [1] - NO LONGER AVAILABLE
- [2] - GUARANTEE DATE EXPIRED
- [3] - 2020 ACCESSORY PRUNING



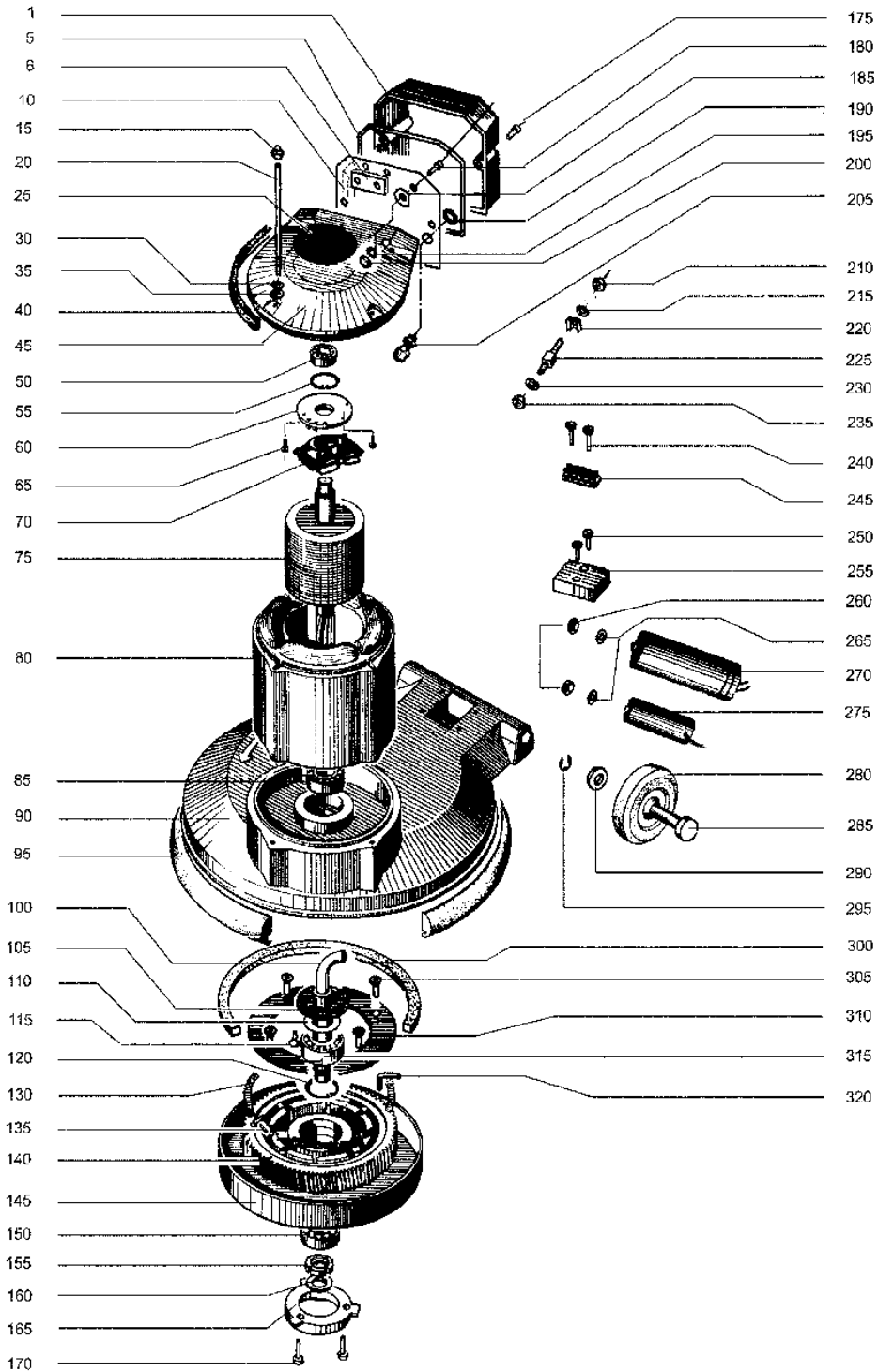
Resource notes:

Pos.	Artikel-Nr.	Menge	Variante	Notes
01	L08608541	1	Feder BRM 511	[1]
05	L08080200	1	HEBEL	
10	L08080300	1	SCHALTER	
100	L08601393	1	Klemme m.Zugentlastung	
105	L08601412	1	Kabelhalter kompl.	
110	L08043800	2	M6X16 DIN 912 A2	
115	L08088000	1	TUELLE	[2]
120	L08088901	1	KABEL 1,5 M LANG	
125	L08080200	1	HEBEL	
130	L08161500	2	STAHLKUGEL	[2]
135	L08081800	1	PIN FOR HANDLE 5M6X40	[2]
140	L08081900	1	HEBEL	
145	L08082000	1	ZYLINDERST. 5X25 DIN 7	
15	L08088800	1	SCHELLE 300-085	[3]
150	L08082100	1	BUECHSE F. VERSTELLHEBEL	
155	L08082200	1	BEILEGESCHEIBE	
160	L08082300	1	SICHERUNGSRING	
165	L08303400	1	STRUT L 910 MM	
170	L08040300	1	Zahnscheibe	
175	L08081100	1	Mutter	
180	L08048400	1	Klemmbügel	
185	33023195	1	WASHER M5 UNI6592 10 PCS SET	
190	L08082700	1	Mutter M5	
195	L08048400	1	Klemmbügel	
20	33005862	2	U-Scheibe	
200	L08040300	1	Zahnscheibe	
205	L08082700	1	Mutter M5	
210	L08081100	1	Mutter	
215	L08040300	1	Zahnscheibe	
220	33005505	1	NUT HEX M10 UNI5588	
225	L08081300	1	BUECHSE ZU STIEL BRM	
230	L08081400	1	Feder zu Stiel BRM	
235	L08081500	1	Einrastbolzen	
240	L08303800	1	ZUGSTANGE KPL. L1100	
245	L08186500	1	VERTEILERKASTENDECKEL	
25	L08070400	2	M4X10 (SIEHE 815407-PS08)	[3]
250	L08093800	1	KNIPPING-KERBSCHR. 2,9X16	[3]
255	L08096800	1	MARKING STRIP	[3]
260	L08095700	1	KLEMME	[3]
265	L08186200	1	CONTACT INCL. PLUG	
270	L08194500	2	ISOLIERBLATT	[2]
275	L08082900	2	Gummiring	
280	L08081700	1	Tülle	
285	33005500	1	MUTTER	
290	L08196200	4	Schraube spezial 2,9x9,5	[2]
295	L08095800	1	SOCKET	[3]
30	L08080500	1	LEVER ARM	
300	L08080400	1	ZUGENTLASTUNG	
305	L08080600	2	M4X20 DIN 84 VZ	
310	L08095400	2	FEDER	[2]
315	L08095600	1	Achse BRM 511 A	
320	L08186600	1	ABDECKUNG	
325	L08101900	4	SENKKOPFSCHRAUBE M4X10	
330	L08083901	1	ZULEITUNG 12 M M.ANGESPR.	
35	L08080700	2	Schraube M 5x20zu 510A	[3]
350	33004365	1	SCREW M8X20 UNI5931	
355	L08084400	4	SCHRAUBE 8MM	
360	L08084800	4	SCHIEBE	[3]
365	33005504	4	Mutter 8mm	

Pos.	Artikel-Nr.	Menge	Variante	Notes
366	L08163700	1	Führungsstangenlagerkompl.	
370	L08605035	1	HOLDER	
380	L08160200	1	GLEITLAGER	
385	L08605035	1	HOLDER	
390	L08160200	1	GLEITLAGER	
395	L08605035	1	HOLDER	
40	L08080800	2	ZYL.-SCHRAUBE M5X25 D84	[2]
400	L08605035	1	HOLDER	
405	L08346600	1	Lager	
410	L08188600	1	Halterung FörderstangeBRM	
415	L08084500	1	Zahnsegment	
420	L08084700	3	COUNTERSUNK SCREW M6X54	
45	L08186300	1	SWITCH HOUSING FRONT	
50	L08080900	4	Schraube M 5x40zu 510A	[3]
55	L08080700	2	Schraube M 5x20zu 510A	[3]
60	L08605115	1	Führungsstangenrohr	[2]
60	L08605113	1	Griffrohr 930mm lg.	
65	33005504	1	Mutter 8mm	
70	L08601395	1	Tankhalter 421A	
75	L08083500	1	FLUEGELSCHRAUBE	
80	L08601411	1	TANKHALTER KPL.	
85	L08080600	1	M4X20 DIN 84 VZ	
90	L08601394	1	Kabelhalter	
95	L08187000	1	BRIDE	

Part Notes:

- [1] - STOCK COVERS GUARANTEE
- [2] - GUARANTEE DATE EXPIRED
- [3] - NO LONGER AVAILABLE



Resource notes:

Pos.	Artikel-Nr.	Menge	Variante	Notes
1	L08365000	1	Abdeckung	[1]
5	L08353700	1	Dichtung 4x6x650	
6	L08227300	1	JOINT	
10	L08353000	1	Halteplatte, vz.	[1]
100	L08049400	1	FLUESSIGKEITSROHR	
105	L08196300	1	LAGERBOLZEN	
110	L08054500	2	Ring	
115	L08042500	4	Senkschraube M8 x 16verzinkt	
120	L08060900	1	SICHERUNGSRING	
130	L08042800	4	Anlauffeder	
135	L08052200	4	ANLAUFFEDER 10 X 35	
140	L08055300	1	Zahnrad 50Hz zu 510	
140	L08061000	1	Zahnrad 50Hz zu 510/B	
145	L08160300	1	Deckel / Gear Box	
15	33023669	4	NUT HEX M6 DOMED CAP HIGH 5 PCS SET	[2]
150	L08061200	1	Kegelrollenlager zu 510B3(30206CZ)	
155	L08193800	1	NUTMUTTER M 25 X 1,5	
160	L08070800	1	BUERSTENHALTER	
160	L08061600	1	DICHTUNGSRING	
170	L08293300	3	Schraube M8x35 GALV	
175	L08357300	2	Mutter M5x16	[1]
180	L08071300	2	M6X25 DIN 912	[1]
185	L08361300	2	Unterlegscheibe	[1]
190	L08239200	1	NUT PG 13.5	[3]
195	L08035800	1	FEDERRING B 6 A2	
20	L08062000	4	GEWINDESTANGE M 6X177	
200	33005502	2	Nuss M6	
205	L08239100	1	VERSCHRAUBUNG	
210	L08082700	1	Mutter M5	
215	L08040300	1	Zahnscheibe	
220	L08048400	1	Klemmbügel	
225	L08048500	1	Achse	
230	L08040300	1	Zahnscheibe	
235	L08081100	1	Mutter	
240	L08093600	2	ZYLINDERSCHR. M3X16 4.8	
245	L08281200	1	Europaklemme 1000/5DS	[1]
25	L08602724	1	Typenschild 510 B	
250	L08327900	2	Flachkopfschr. M3x8,FormA	
255	L08361500	1	MOTOR PROTECTION SWITCH	[4]
255	L08053402	1	MOTOR PROTECTION SWITCH	[5]
255	L08304400	1	Motorschutzschalter 10A	[6]
260	33005504	2	Mutter 8mm	
265	L08084800	2	SCHEIBE	[1]
270	L08301100	1	RUNNING CAPACITOR 100 MF	
270	L08328700	1	Kondensator 30MF zu 510B	
275	L08363601	2	Kondenser 200 MF 510 B	
275	L08301200	1	CONDENSER 550MF	
280	L08073300	2	Laufgrad 160 zu 510 B	
285	L08073400	2	Achsbolzen 510B	
290	L08351100	2	Ring PA	
295	L08073500	2	SICHERUNGSRING	
30	L08050300	4	FÄCHERSCH. A 6,4 DIN6798	
300	L08054900	1	Filzdichtung	
305	L08035400	4	SENKSCHRAUBE M 6x16 VZ	
310	L08074200	1	ABDECKSCHEIBE	
315	L08061200	1	Kegelrollenlager zu 510B3(30206CZ)	
320	L08162400	4	Winkel	
35	L08050400	4	SCHEIBE CUZN M6 DIN 125A	
40	L08050700	1	STOßBANDPROFIL DECKEL 840	

Pos.	Artikel-Nr.	Menge	Variante	Notes
45	L08364800	1	Motorabdeckung	
50	L08040800	1	Kugellager 6202-2RSSiehe 145 2361 000	
55	L08040900	1	SICHERUNGSRING 35X1,5	
60	L08041000	1	Fliehkraftschalterzu 511A	
65	L08041100	2	SCREW	[7]
70	L08041200	1	FliehkraftschalterWellenkil zu 545	
70	L08045600	1	Fliehkraftschalter	
75	L08155800	1	ROTOR WITH PINION Z 12. M	
75	L08155700	1	Rotor m.Ritzel Z14 M 1,5	
80	L08267451	1	STATOR M.DECKEL 510B (230	[1]
80	L08066429	1	STATOR 510B USA 60/110-11	[8]
85	L08051600	1	Kugellager 6206-2RS	
90	L08072100	1	GEHAEUSE GRAU	[1]
95	L08055000	1	Schutzgummi BRM 510B	

Part Notes:

- [1] - NO LONGER AVAILABLE
- [2] - SEE PI 2017-002
- [3] - Guarantee date expired
- [4] - 15A. 120V/60Hz
- [5] - 15A, 120V/60Hz with reset button
GUARANTEE DATE EXPIRED
- [6] - 10A, 230V/50Hz
- [7] - CLOSED BY VENDOR
- [8] - GUARANTEE DATE EXPIRED
Inc. pos. 75



— 1 BRUSHES



— 2 DISC DRIVES



— 3 PADS



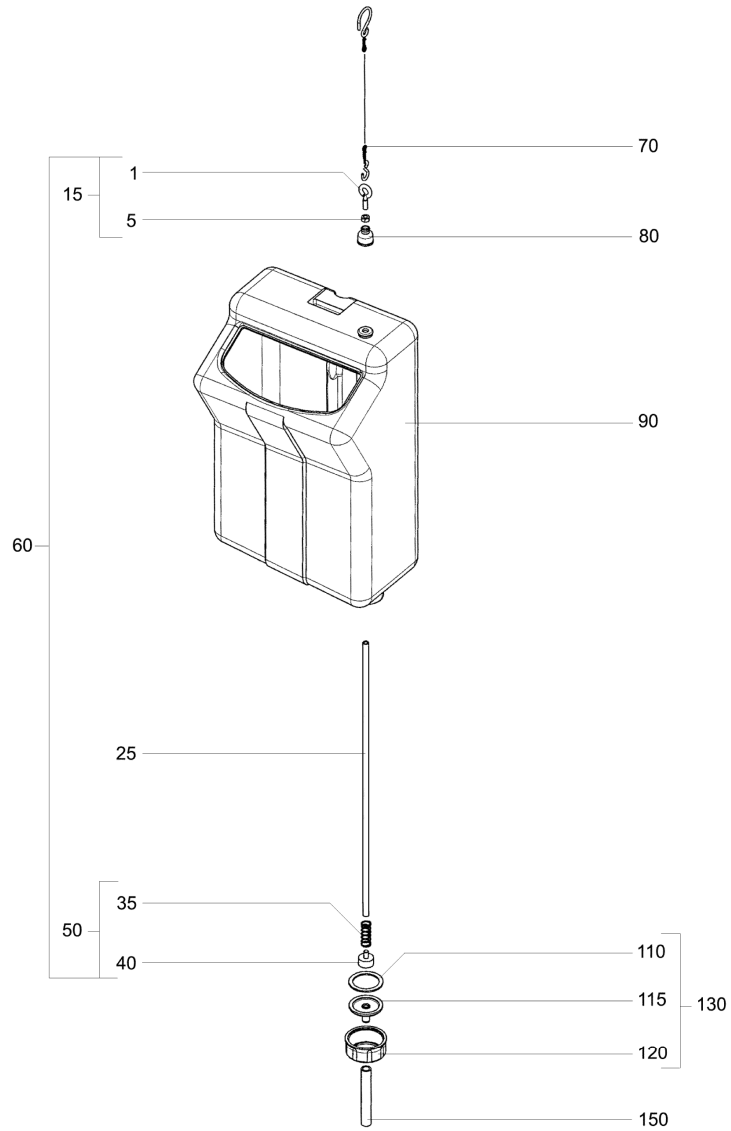
— 4 OTHER ACCESSORIES

Resource notes:

Pos.	Artikel-Nr.	Menge	Variante	Notes
01	L08513100	1	Schrubbbürste	
01	L08512000	1	Grossschrubbürste	[1]
01	L08510200	1	SPRING STEEL BRUSH. F510B-3	[2]
01	L08512100	1	SCRUBBING BRUSH D510	[3]
01	L08511200	1	Bürstenaggregat Perlon/Draht	[3]
01	L08510000	1	Bürste PPN 0,7 für 510B-3	
01	L08511000	1	Bürste PPN/Stahldraht	
01	L08526000	1	AGGREGATE WIRE	[3]
01	L08520800	1	Bürsten-AggregatKreuzborsten	
01	L08526100	1	SPECIAL BRUSH D480	[4]
01	L08510600	1	POLISHING BRUSH LARGE	[2]
01	L08511500	1	Drahtbürste	[5]
01	L08521600	1	Schleifstein	[3]
01	L08510100	1	Polierbürste 510 mm	
01	L08525900	1	Kratzbürstenaggregat PPN	[3]
01	L08512200	1	SCARIFYING BRUSH D510	[1]
01	L08520600	1	Kratzbürsten-Aggregat, Federstahl	
01	L08511300	1	Bürstenaggregat Stahldraht 0,35 mm	[3]
02	L08514800	1	DIAMOND PAD HOLDER RUBBER	[2]
02	L08517600	1	Padhalter 430 mm, 17"	
02	L08517601	1	Padhalter Stabipad, 508 mm	
03	L00190883	1	Schleifblatt 430 Korn 12010-er Paket	[2]
03	L08533500	1	PAD 17 432MM BEIGE 5PCS	[6]
03	10001938	1	Eco Pad 17", Ø 432 mm, schwarz, VPE 5	
03	L00190881	1	SANDING MESH 17 GRAIN60 12 PCS	[2]
03	L08409700	1	PAD STEELWOOL 430MM 10PCS	[4]
03	10001938	1	Eco Pad 17", Ø 432 mm, schwarz, VPE 5	
03	10001971	1	Eco Pad 17", Ø 432 mm, braun, VPE 5	
03	10001939	1	Eco Pad 17", Ø 432 mm, blau, VPE 5	
03	L00190882	1	SANDING MESH 17 GRAIN100 10 PCS	[2]
03	L00190880	1	SANDING MESH 17 GRAIN80 12 PCS	[7]
03	10001940	1	Eco Pad 17", Ø 432 mm, grün, VPE 5	
03	10001941	1	Eco Pad 17", Ø 432 mm, rot, VPE 5	
04	L00392900	1	REGULATING VALVE FOR TANK	[8]
04	L08502600	1	SUCTION RING FOR 510 B COMP.	[9]
04	L08608579	1	Sprüher 1 Liter	[8]
04	L08615150	1	Tank kpl. 10 ltr.	
04	L08501200	1	Zusatzgewicht 24 kg	

Part Notes:

- [1] - CLOSED BY VENDOR
- [2] - COMPLEXITY REDUCTION
- [3] - 2020 ACCESSORY PRUNING
- [4] - CLOSED WITHOUT REPLACEMENT, OBS. MACHINE
- [5] - GUARANTEE DATE EXPIRED
- [6] - NO REPLACEMENT, CONTACT PM
- [7] - MI-SP-007
- [8] - NO LONGER AVAILABLE
- [9] - ACCESSORY FOR OBSOLETE PLATFORM

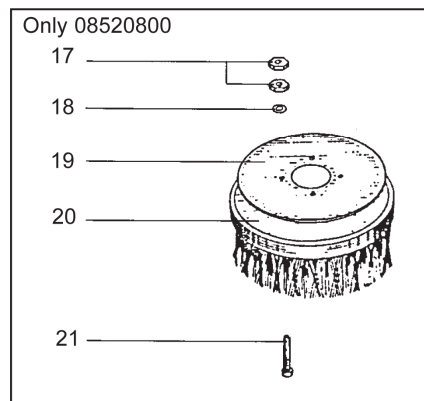
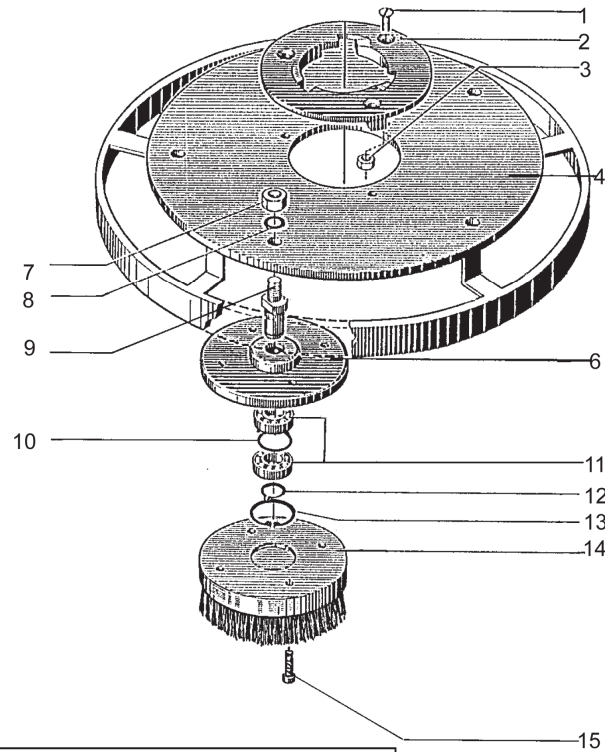


Resource notes:

Pos.	Artikel-Nr.	Menge	Variante	Notes
00	L08615150	1	Tank kpl. 10 ltr.	[1]
00	L08083300	1	Auslaufhahn 421 A	[1]
00	L08615150	1	Tank kpl. 10 ltr.	[1]
00	L08094900	1	Dichtung Hahn 421 A	[1]
00	L08094800	1	Mutter Auslaufhahn 421 A	[1]
00	L08083200	1	Zugkette	[1]
00	L08081000	1	SCHLAUCH 9 X 2 MM	[1]
130	L08606774	1	Deckel mit Adapter	
15	L08606771	1	EYE BOLT WITH NUT	[2]
50	L08606772	1	SPRING WITH BUFFER	
60	L08606773	1	Griff kpl.	
70	L08615162	1	Kette vom Tank	
80	L08615152	1	Dichtung	
90	L08615151	1	Tank 10 Liter	[3]

Part Notes:

- [1] - FOR MODEL PRUNED 2008
- [2] - OUT OF PRODUCTION
- [3] - GUARANTEE DATE EXPIRED



Resource notes:

Pos.	Artikel-Nr.	Menge	Variante	Notes
01	L08145300	1	SENKSCHRAUBE M10X35	[1]
02	L08061901	1	Bayonettring 510B-3	
03	33005505	1	NUT HEX M10 UNI5588	
04	L08075800	1	Platte f. 08520800	[1]
04	L08075100	1	Halbteller, klein	[1]
06	L08075500	1	Bürstenbefestigung	[1]
07	L08075200	1	MUTTER M12 DIN 934 VZ	[1]
08	L08075300	1	WASHER	[1]
09	L08075400	1	BOLZEN-KRATZBUERSTE	[2]
10	L08075900	1	PAßSCHEIBE 25X35X1	[1]
11	L08040800	1	Kugellager 6202-2RSiehe 145 2361 000	
12	L08075600	1	SICHERUNSRING	[1]
13	L08040900	1	SICHERUNGSRING 35X1,5	
14	L08528600	1	Aggregatbürsten	[2]
14	L08521800	1	REPL. SPRING STEEL BRUSH FOR BRUSH AGG.	
14	L08522100	1	AGGREGATE WIRE ELEMENT 1 PC	[2]
15	L08071300	1	M6X25 DIN 912	[1]
17	33005502	1	Nuss M6	
18	L08050300	1	FÄCHERSCH. A 6,4 DIN6798	
19	L08157000	1	ABDECKSCHEIBE D190X2,5X50	[2]
20	L08528800	1	Kreuzbürste Bürstenaggregat, VPE 5	[3]
21	L08159700	1	SCREW M 6X45	[1]

Part Notes:

- [1] - NO LONGER AVAILABLE
- [2] - GUARANTEE DATE EXPIRED
- [3] - ALTERNATIVE BUY PART NO. L08522200

