

VE17 DSP

Model:
VE-17DS



Part List US-English

22-12-2013



www.vipercleaning.com

Ersatzteile unter www.gluesing.net

Table of Contents

VE17 DSP

Handle	3
Base	5
Wiring - Wear and Tear parts	7
DF100-A Foam Generator art no. 50000055	9

Handle

VE17 DSP

22-12-2013

Part List ID

VEU2

4

Pos	Part no.	Qty	Description
1	VF40104EU	1	SEAT KIT EXTREME INCL. COVER GEAR O
2	GV40241	1	SEAL
3	VF74107A	1	CORD KIT EXTREME INCL. GROMMET
4	VF50122EU	1	COVER FOR HOOK KIT EXTREME INCL. HOOK
5	VF40117	1	TUBE STEEL Ø32
6	GT13054	2	SCREW PAN HEAD M5X12
7	GV40220EU	1	ROD LEVELING KIT EXTREME INCL. NUT WAS
8	GV40213B	1	LEVER FOR SOLUTION
9	VF72703	1	LEVER LEFT FOR SWITCH
10	GV40223	1	PIN Ø3
11	GV40222A	1	ELASTIC CORD KIT EXTREME INCL. CORD WARP
12	VF45118EU	1	POWER CORD EU PLUG KIT EXTREME INCL. STR
13	GT13009	6	SCREW OVAL HEAD M5 X 30
14	VF73701	1	REAR COVER
15	GT13008	2	SCREW FLAT HEAD M5 X 20
16	GV40218	1	SPRING FOR SAFETY BUTTON
17	VF72723	1	STEEL BALL Ø10
18	GV40209	1	SAFETY BOTTON
19	40263A	1	SWITCH DPST
20	GT13011	2	SCREW PAN HEAD ST3X25
21	VF72704	1	LEVER RIGHT SWITCH
22	VF48309	1	CLAMP BLOCK
23	VV13667	3	SCREW PAN HEAD M4X8
24	GV40210B	1	LEVELING HANDLE
25	VF48306	4	PIN Ø6
26	VF73702A	1	KIT FRONT COVER LOGO
27	VF001	1	WATER TANK
28	VF40141A	2	KIT CLAMP PLATE GASKET BOLT NUT
29	VF40132A	1	KIT BARB HOSE HOSE NUT
30	VF40131EU	1	KIT VALVE BODY SEAL SPRING SEAT CH

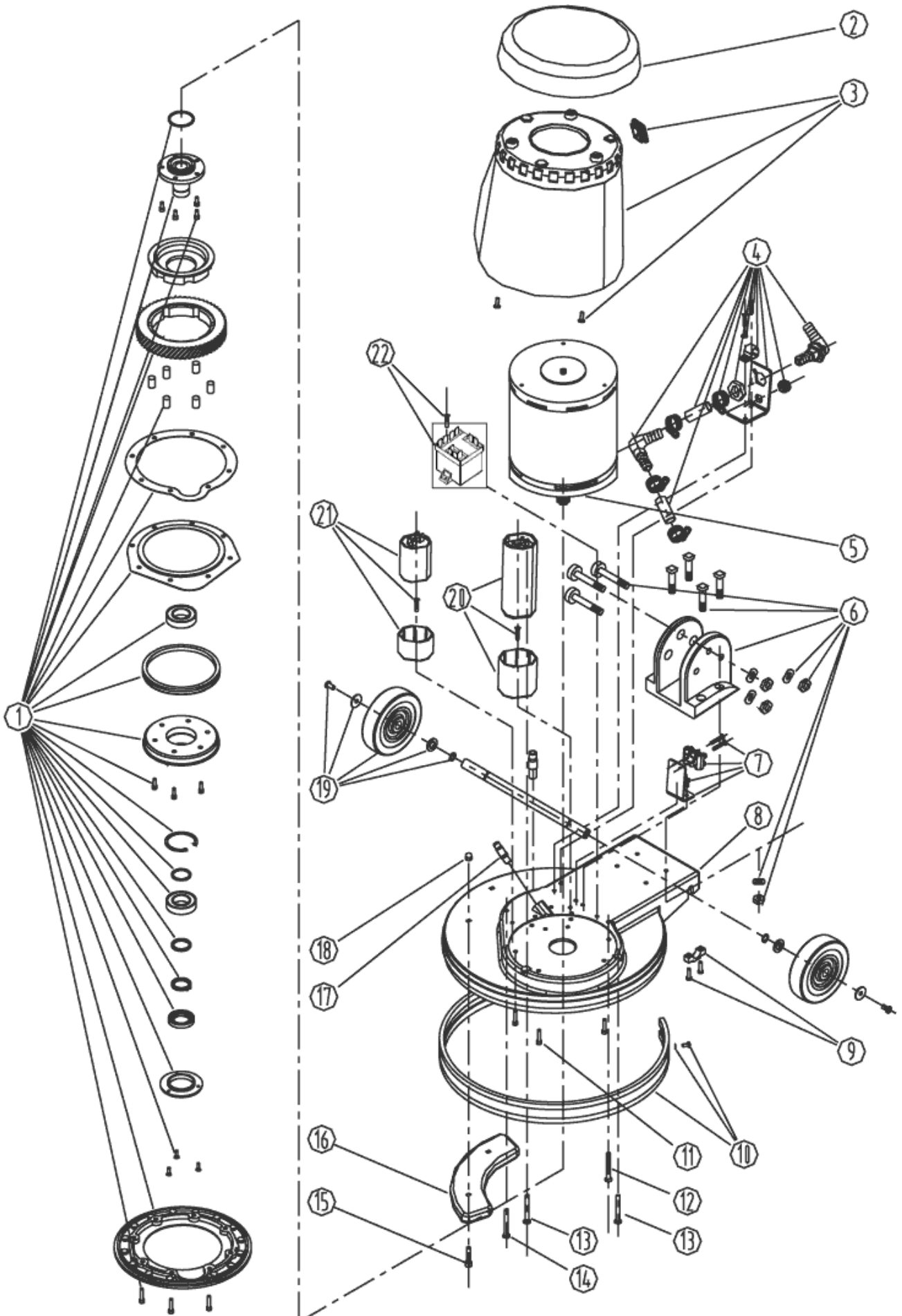
Base

VE17 DSP

22-12-2013

Part List ID VE1704

5



Ersatzteile unter www.gluesing.net

Base

VE17 DSP

22-12-2013

Part List ID VE17/04

6

Pos	Part no.	Qty	Description
1	VF46107EU	1	CLUTCH PLATE KIT EXTREME INCL.SCREW AL
2	VF72122	1	TOP COVER
3	VF72121EU	1	MOTOR COVER KIT
4	VF72126EU	1	BRACKET KIT EXTREME INCL. ELBOW CLAMP
5	YLQ28000N	1	MOTOR 220-240V 50-60HZ 1.5HP
6	GV40240E	1	MOUNTING BASE KIT EXTREME INCL. WASHER
7	VF72125EU	1	BRACKET KIT EXTREME INCL. TERNIMAL BLOCK
8	VF72201DS	1	FRAME 17 INCH DUAL SPEED
9	VF46120EU	1	AXLE KIT EXTREME INCL. CLAMP BLOCK SEL
10	VF46118EU	1	BUMPER KIT EXTREME INCL. SCREW WASHER
11	GT13053	6	SCREW SOCKET RECESS M6 X 25
12	GT13027	1	SCREW PAN HEAD M5X45
13	VF14112	2	SCREW PAN HEAD M5X38
14	VF14305	1	SCREW PAN HEAD M5X60
15	VF14067	2	SCREW M8X25
16	VF46131	1	IRON BAR
17	VF40152	2	BARB HOSE
18	VA13490	2	NUT M8
19	VF99004EU	1	NON-MARKING 4INCH WHEEL KIT RETAINING
20	VF72124A	1	HOLDER KIT EXTREME INCL. SCREW START-1
21	VF72124E	1	HOLDER KIT EXTREME INCL. SCREW RUNNING
22	VF721271	1	KIT INCL SCREW AND START SWITCH

Wiring - Wear and Tear parts

VE17 DSP

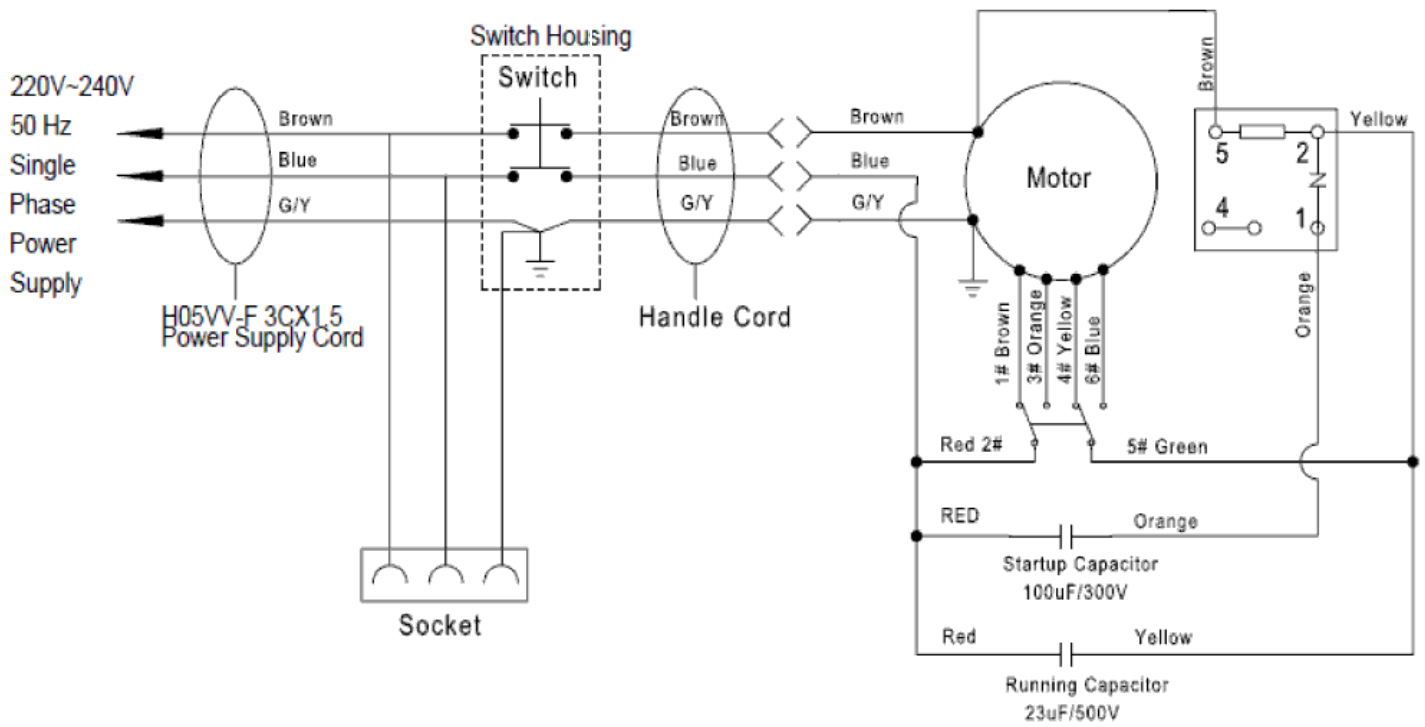
22-12-2013

Part List ID

VE1706

7

WIRING DIAGRAM FOR VE17DSP-EU



Wiring - Wear and Tear parts

VE17 DSP

22-12-2013

Part List ID

VE17/06

8

Pos	Part no.	Qty	Description
1	VF45118EU	1	POWER CORD EU PLUG KIT EXTREME INCL. STR
2	VF45118UG	1	POWER CORD UK PLUG KIT EXTREME INCL. STR
3	40263A	1	SWITCH DPST
4	VF99004EU	1	NON-MARKING 4INCH WHEEL KIT RETAINING
5	VF72124A	1	HOLDER KIT EXTREME INCL. SCREW START-1
6	VF72124E	1	HOLDER KIT EXTREME INCL. SCREW RUNNING
7	VF721271	1	KIT INCL SCREW AND START SWITCH
8	VF46107EU	1	CLUTCH PLATE KIT EXTREME INCL. SCREW AL
9	YLQ28000N	1	MOTOR 220-240V 50-60HZ 1.5HP
10	VF003	1	POLY SCRUB BRUSH 16 INCH
11	VF037	1	SUPER HIGH SPEED PAD DRIVER 17 INCH

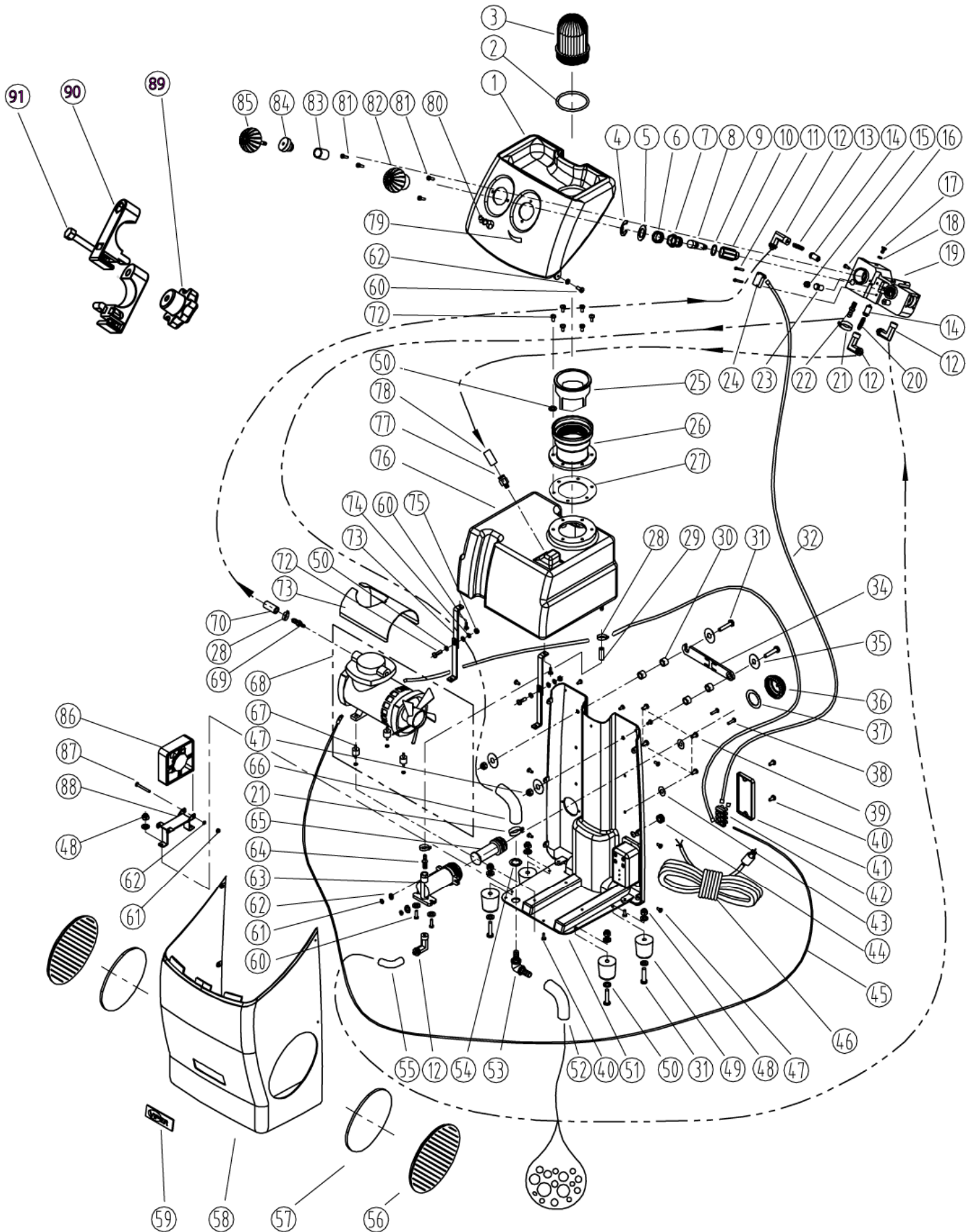
DF100-A Foam Generator art no. 50000055

VE17 DSP

22-12-2013

Part List ID
DF100A02

9



Ersatzteile unter www.gluesing.net

DF100-A Foam Generator art no. 50000055

VE17 DSP

22-12-2013

Part List ID
DF-100AUZ

10

Pos	Part no.	Qty	Description
0	50000055	1	FOAM GENERATOR DF-100A
1	VF46403	1	UPPER COVER
2	VF14227	1	O-RING
3	VF46404	1	KIT TANK KNOB INTAKE
4	VF14120	1	RETAINING RING EXTERNAL DIAMETER 8
5	VF46457	1	WASHER SST
6	VF46422-3	1	Y RING DIAMETER 12
7	VF46422-2	1	NUT ADJUSTING VALVE
8	VF46422-4B	1	PIN ADJUSTING VALVE
9	VF46456	1	WASHER BRASS
10	VF46455	1	BIG NUT
11	VV13616	2	PH SCREW M3x16
12	VF46466	4	90 DEG BLBOW
13	VF46422-19	1	SPRING SHORT
14	VF46422-11	2	VALVE
15	VF46422-15	1	NUT M14
16	VF46422-5	1	PIN
17	VF46422-10	5	COVER
18	VF46422-9	5	O RING DIAMETER 1 2/25 x DIAMETER 3 3/20
19	VF46422-8A	1	VALVE BODY
20	VF46422-18	1	SPRING LONG
21	VV10114	2	CLAMP
22	VF46422-13	1	BARB HOSE
23	VF46422-17	1	VALVE
24	VF46422-6	1	MICRO SWITCH
25	VF46454	1	FILTER INTAKE TANK
26	VF46426	1	INTAKE TANK
27	VF46462	1	GASKET INTAKE TANK
28	VF46400	3	CLAMP
29	VF46467	1	HOSE
30	VF47034	4	SPACER CLAMP PLATE
31	VA13475	4	SCREW M5X25
32	VF46450	1	CORD MICRO SWITCH
34	VF47032	1	CLAMP PLATE SOLUTION TANK
35	VV20276	2	WASHER PLAIN
36	VF46419	1	COVER FILTER OUTLET TANK
37	VF46420	1	WASHER COVER OUTLET
38	VA13473	2	SCREW M4X PH
39	VV20509	4	SCREW M5 X 10
40	VA13477	2	ST4.2X16
41	VF46410	1	COVER WIRING BOX
42	VF46483	1	CONNECTOR
43	VF13474A	8	WASHER PLAIN f5xf16

DF100-A Foam Generator art no. 5000055

VE17 DSP

22-12-2013

Part List ID
DF-100AUZ

11

Pos	Part no.	Qty	Description
44	VF50120	1	GROMMET
45	VF46453	1	GROUNDING WIRE
46	VF45117	1	POWER CORD SJTW 3 x 16AWG 1 7/20M
47	VF14300	6	SCREW M4 x 8 PH
48	GT13022	6	NUT NYLON INSERT M5
49	VV30125	4	RUBBER STAND
50	VA13482	14	WASHER PLAIN DIA.5.0
51	VF46402A	1	REAR COVER
52	VF46445	1	HOSE FOAMING FRAME END
53	VF46441	1	BLBOW HOSE FOAMING
54	VF46442	1	NUT BLBOW HOSE
55	VF46437	1	HOSE SL INLET VALVE
56	VF46408	2	COVER FRESH AIR PUMP
57	VF46407	2	FILTER FRESH AIR PUMP
58	VF46401	1	FRONT COVER
59	VF47035A	1	VIPER LOGO
60	VF13491	8	SCREW M4X12
61	GT13014	4	NUT M4 NYLON INSERT
62	VV13664	1	WASHER PLAIN DIA.4
63	VF46418	1	FILTER HOLDER OUTLET TANK
64	VF46465	2	BRASS FILTER
65	VF46435	1	FILTER OUTLET TANK
66	VF46438	1	HOSE OUTLET VALVE
67	VF46463	1	MOUNTING SCREW PUMP
68	YQ11000	1	PUMP
69	VF46405	1	BARB OUTLET COMPRESSED AIR PUMP
70	VF46444	1	HOSE COMPRESSED AIR OUTLET PUMP
71	VF46449	1	SHIELD PUMP
72	VV20501	8	PH SCREW M5X14 SST
73	VF46413	4	SURPORT RIB TANK
74	VV13601	2	WASHER LOCK M5
75	VV13633	2	NUT M5
76	VF46425	1	TANK
77	VF46475	1	BLBOW R1/4
78	VF46439	1	HOSE COMPRESSED AIR INLET TANK
79	VF46428	1	ICON ADJUSTING
80	VF46427	1	ICON FOAMING
81	VF14301	5	SCREW M4x12
82	VF46415	1	KNOB ADJUSTING
83	VF46406C	1	FOAMING GENERATOR
84	VF46411-3	1	GASKET
85	VF46411	1	KNOB ASSY FOAMING
86	VF46468	1	FAN

DF100-A Foam Generator art no. 50000055

VE17 DSP

22-12-2013

Part List ID
DF-100AUZ

12

Pos	Part no.	Qty	Description
87	VF46469	1	BRACKET FAN
88	VF14077	2	SCREW M4 x 35 PH
89	VF46486	2	KNOB CLAMP
90	VF73706	4	PLASTIC MOUNTING BRACKET
91	GT13019	2	HEX SCREW M6x45