

**Ersatzteilliste
Spare Parts List
Liste des pièces de rechange**

HDS 801 E

1.030-111.0	HDS 801 E - 24 KW
1.030-131.0	HDS 801 E - 12 KW
1.030-281.0	HDS 801 E-12KW *GB
1.030-291.0	HDS 801 E-12KW * CH
1.030-461.0	HDS 801E-24KW*GB/AU
1.030-601.0	HDS 801 E-12KW *MEX
1.030-771.0	HDS 801 E-24KW * CH

GRUPPE: 1.0 EINZELTEILE
GROUP: 1.0 PIECE PARTS
GRUPPE: 1.0 PIECES CONSTITUANTES

A1

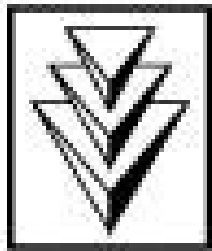
HDS 801 E

GRUPPE: 1.0 EINZELTEILE
GROUP: 1.0 PIECE PARTS
GRUPPE: 1.0 PIECES CONSTITUANTES

GRUPPE: 1.1 HAUBE
GROUP: 1.1 COVER
GRUPPE: 1.1 CAPOT

B1

HDS 801 E



KÄRCHER



Symbolbeschreibung siehe M16 / symbol description see M16 / désignation de système voir M16 /

GRUPPE: 1.1 HAUBE
GROUP: 1.1 COVER
GROUPE: 1.1 CAPOT

C1

HDS 801 E

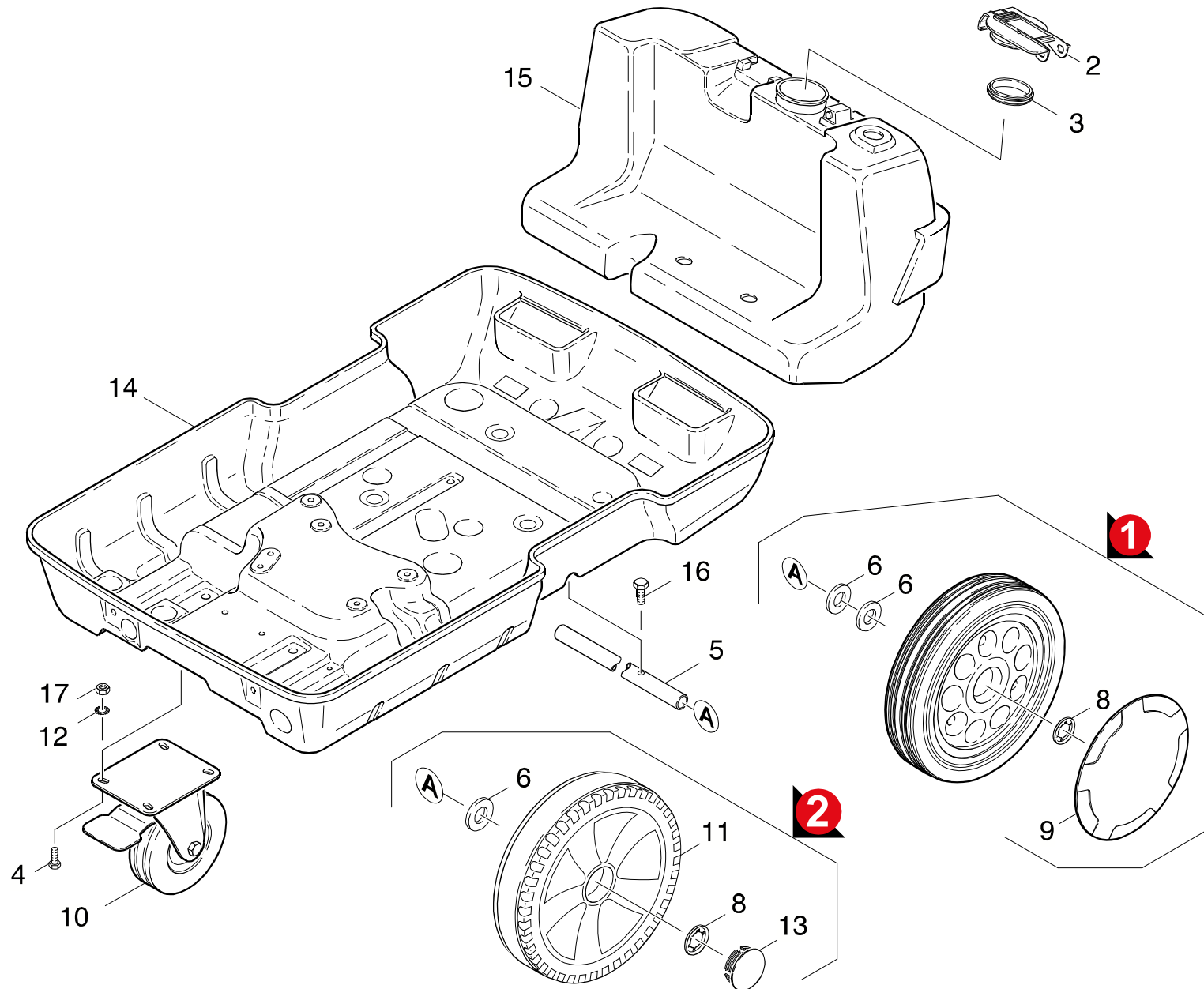
POS. ITM. POS.	BENNENUNG DESCRIPTION DESIGNATION	TEILE-NR. PART-NO. NO.PIECE	STCK QTY. NBR.
1	HAUBE / COVER / CAPOT / 1.030-111.0 / -131.0 / -281.0 / -461.0 / -601.0	5.066-485.0	1
1	HAUBE / COVER / CAPOT / 1.030-461.0 / -771.0	5.066-589.0	1
2	KLAPPE / FLAP / CLAPET	5.030-834.0	1
3	FORMSCHRAUBE / FORM SCREW / VIS	5.305-204.0	2
4	TANK CHEMIE / TANK / RESERVOIR	5.071-079.0	1
6	LINSENSCHR. M 6X 34 / OVAL HEAD SCREW / VIS A TETE BOMBEE	6.303-172.0	2
7	DECKEL / COVER / COUVERCLE	5.063-576.0	1
8	DICHTRING / JOINT RING / BAGUE D'ETANCHEITE	5.363-290.0	1
9	DECKEL / COVER / COUVERCLE	5.063-575.0	1
10	SCHRAUBENFEDER / HELICAL SPRING / RESSORT CYLINDRIQUE	5.332-236.0	1
11	BOLZEN / BOLT / BOULON	5.316-318.0	1
13	ZYL.SCHR. M 6X 20 / CHEESE HEAD SCREW / VIS A TETE CYLINDR. / 1.030-291.0 / -771.0	7.306-462.0	1
14	SCHEIBE 6 / WASHER / RONDELLE	7.312-033.0	1
15	STECKMUTTER M6 / NUT / ECROU	6.310-085.0	1
16	LASCHE / RETAINER CLIP / ECLISSE	5.004-616.0	1

"=> xxxxxx" = bis Werknummer / up to serial No. / jusqu' au No. de fabr. / "xxxxxx =>" = ab Werknummer / from serial No. / a partir du No. de fabr. /

GRUPPE: 1.2 RAHMEN
GROUP: 1.2 FRAME
GRUPPE: 1.2 CADRE

D1

HDS 801 E



Symbolbeschreibung siehe M16 / symbol description see M16 / désignation de système voir M16 /

GRUPPE: 1.2 RAHMEN
GROUP: 1.2 FRAME
GROUPE: 1.2 CADRE

E1

HDS 801 E

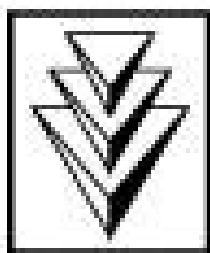
POS. ITM. POS.	BENNENUNG DESCRIPTION DESIGNATION	TEILE-NR. PART-NO. NO.PIECE	STCK QTY. NBR.
2	DECKEL / COVER / COUVERCLE	5.063-448.0	1
3	DICHTRING / JOINT RING / BAGUE D'ETANCHEITE	5.363-300.0	1
4	6KT-SCHR. M 8X 16 / HEXAGONAL HEAD SCREW / VIS HEXAGONAL	7.304-395.0	4
5	ACHSE / AXLE / ESSIEU	5.105-163.0	1
6	SCHEIBE 24 / WASHER / RONDELLE	7.312-060.0	4
8	SICHERUNGSSCHEIBE / LOCK WASHER / RONDELLE D'ARRET	6.343-162.0	2
9	RADKAPPE / WHEEL CAB / ENJOLIVEUR	5.392-017.0	2
10	LENKROLLE 125 / CASTOR / ROUE PIVOTANTE	6.435-071.0	1
11	RAD KPL. / WHEEL / ROUE	4.515-092.0	2
12	ZAHNSCHEIBE A 8,4 / LOCK WASHER / ROUE PLATE	7.312-166.0	2
13	RADKAPPE / WHEEL CAB / ENJOLIVEUR	5.392-038.0	2
14	RAHMEN / FRAME / CADRE	5.050-046.0	1
15	TANK CHEM / TANK / RESERVOIR	5.071-047.0	1
16	SCHRAUBE M 8X 16 / SCREW / VIS	6.303-031.0	2
17	6KT-MUTTER M 8 / HEXAGON NUT / ECROU HEXAGONAL	7.311-004.0	4

"=> xxxxxx" = bis Werknummer / up to serial No. / jusqu' au No. de fabr. / "xxxxxx =>" = ab Werknummer / from serial No. / a partir du No. de fabr. /

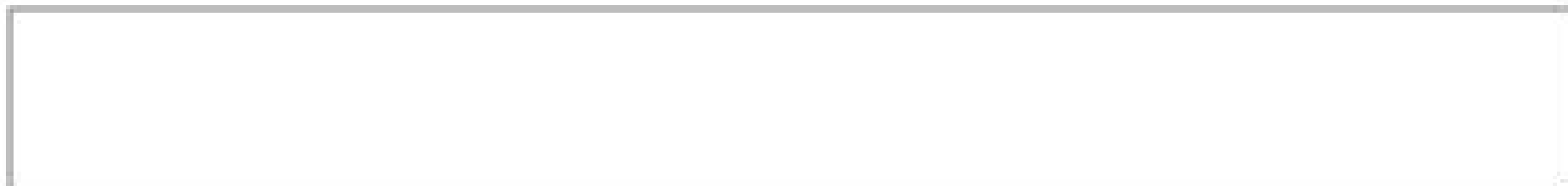
GRUPPE: 1.3 GRIFF
GROUP: 1.3 HANDLE
GRUPPE: 1.3 POIGNEE

F1

HDS 801 E



KÄRCHER



Symbolbeschreibung siehe M16 / symbol description see M16 / désignation de système voir M16 /

GRUPPE: 1.3 GRIFF
GROUP: 1.3 HANDLE
GROUPE: 1.3 POIGNEE

G1

HDS 801 E

POS. ITM. POS.	BENNENUNG DESCRIPTION DESIGNATION	TEILE-NR. PART-NO. NO.PIECE	STCK QTY. NBR.
1	GRIFF / HANDLE / POIGNEE	5.321-647.0	2
2	ZYL.SCHR. M 8X 45 / CHEESE HEAD SCREW / VIS A TETE CYLINDR.	7.306-049.0	2
3	SCHEIBE 8 / WASHER / RONDELLE	7.312-004.0	2
4	STAENDER LINKS / STAND / MONTANTS	5.052-033.0	1
5	6KT-SCHR. M 8X 16 / HEXAGONAL HEAD SCREW / VIS HEXAGONAL	7.304-395.0	6
6	ZAHNSCHEIBE A 8,4 / LOCK WASHER / ROUE PLATE	7.312-166.0	3
7	6KT-MUTTER M 8 / HEXAGON NUT / ECROU HEXAGONAL	7.311-004.0	6
8	STECKMUTTER M8 / NUT / ECROU	6.310-083.0	2
9	STREBE / STAY / ENTRETOISE	5.055-120.0	1
10	STECKMUTTER M6 / NUT / ECROU	6.310-082.0	4
11	STAENDER RECHTS / STAND / MONTANTS	5.052-035.0	1
12	6KT-SCHR. M 6X 12 / HEXAGONAL HEAD SCREW / VIS HEXAGONAL	7.304-382.0	4
13	ZAHNSCHEIBE A 6,4 / LOCK WASHER / ROUE PLATE	7.312-167.0	4
14	6KT-MUTTER M 6 / HEXAGON NUT / ECROU HEXAGONAL	7.311-003.0	2
15	KABEL / CABLE / CABLE / 1.030-111.0 / -461.0 / -601.0 / -771.0	4.820-796.0	1
15	KABEL / CABLE / CABLE / 1.030-131.0 / -281.0 / -291.0	4.820-800.0	1
16	TUELLE / RUBBER BUSHING / MANCHON	6.641-364.0	1
17	HALBVERSCHRAUBUNG / HALF R.SCREW CONN. / RACCORD	6.641-359.0	1
18	GEGENMUTTER PG36 / COUNTERNUT / CONTRE-ECROU	6.641-378.0	1

"=> xxxxxx" = bis Werknummer / up to serial No. / jusqu' au No. de fabr. / "xxxxxx =>" = ab Werknummer / from serial No. / a partir du No. de fabr. /

GRUPPE: 2.0 PUMPENSATZ
GROUP: 2.0 PUMP SET
GRUPPE: 2.0 JEU (ENSEMBLE) DE POMPE

A2

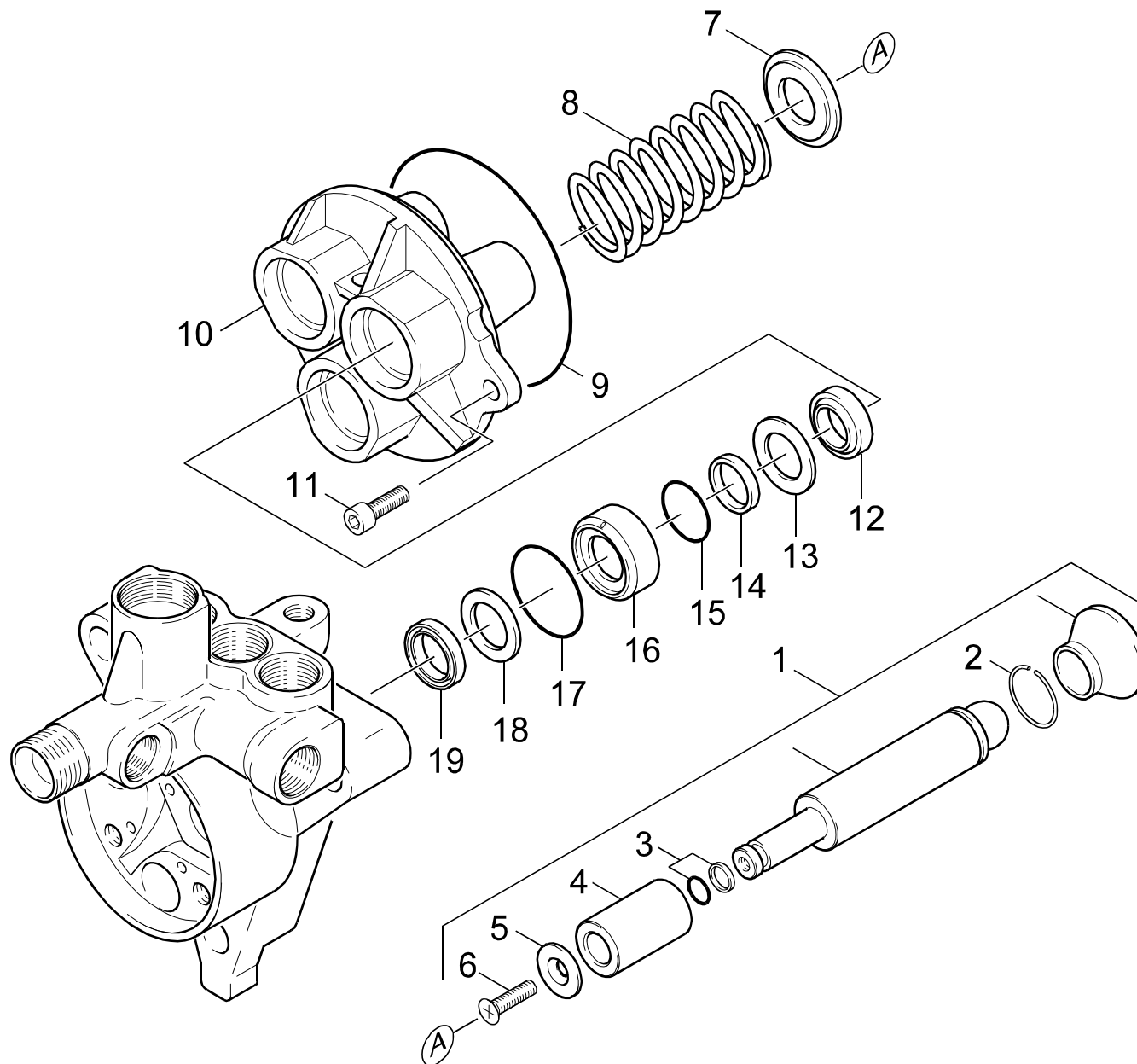
HDS 801 E

GRUPPE: 2.0 PUMPENSATZ
GROUP: 2.0 PUMP SET
GRUPPE: 2.0 JEU (ENSEMBLE) DE POMPE

GRUPPE: 2.1 KOLBEN
GROUP: 2.1 PISTON
GRUPPE: 2.1 PISTON

B2

HDS 801 E



Symbolbeschreibung siehe M16 / symbol description see M16 / désignation de système voir M16 /

GRUPPE: 2.1 KOLBEN
GROUP: 2.1 PISTON
GROUPE: 2.1 PISTON

C2

HDS 801 E

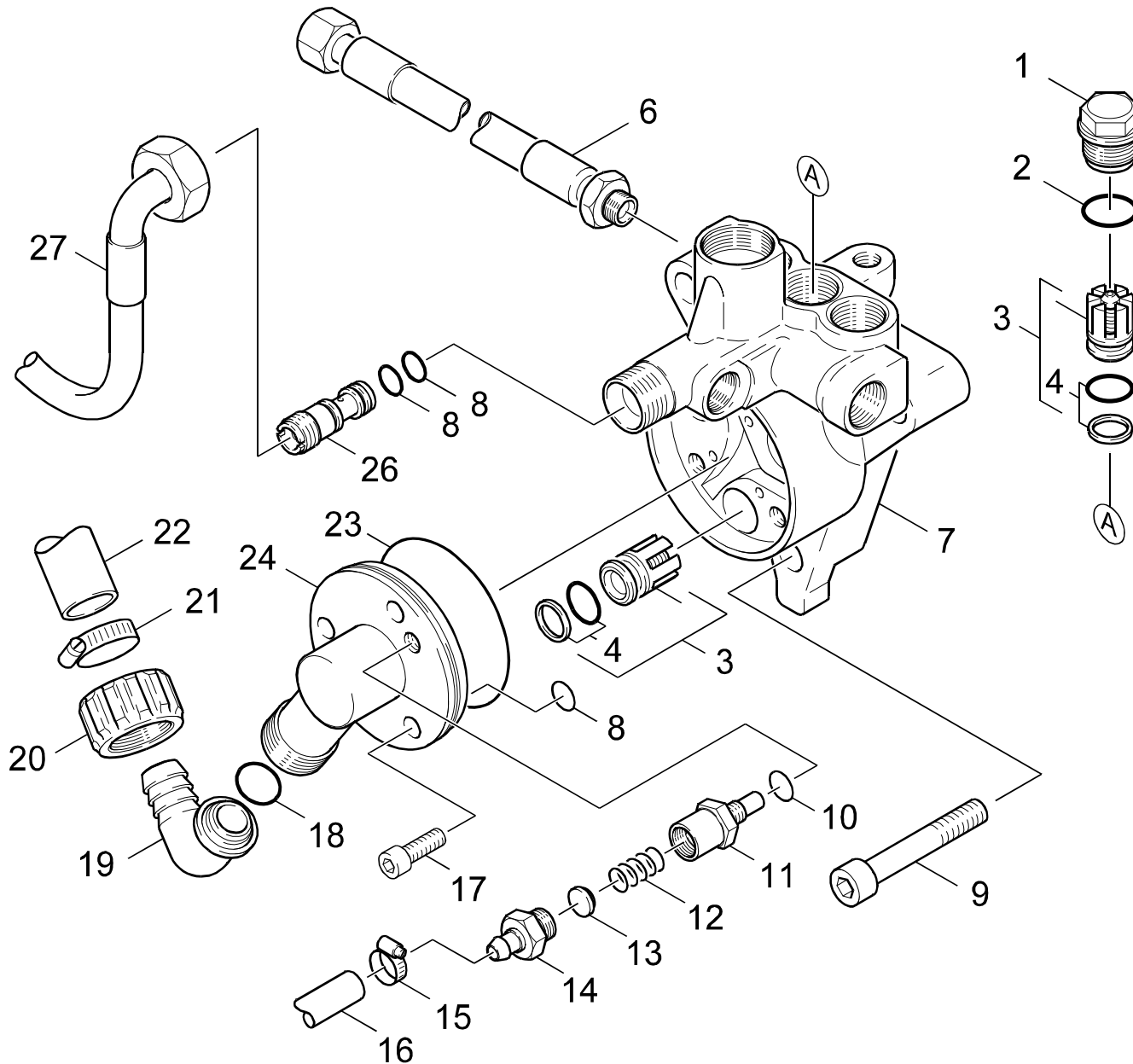
POS. ITM. POS.	BENNENUNG DESCRIPTION DESIGNATION	TEILE-NR. PART-NO. NO.PIECE	STCK QTY. NBR.
1	KOLBEN KPL. / PISTON / PISTON	4.553-099.0	3
2	SPRENGRING 20 / RETAINER / CIRCLIP	6.472-331.0	3
3	O-RING KPL./1ST.-R. / GASKET / BAQUE D'ETANCHEITE	6.362-365.0	3
4	KERAMIKHUELSE / CERAMIC POD / DOUILLE CERAMIQUE	5.110-220.0	3
5	SCHEIBE / WASHER / RONDELLE	5.115-358.0	3
6	SENKSCHR. M 5X 20 / FLAT HEADED SCREW / VIS A TETE CONIQUE	7.305-050.0	3
7	SCHEIBE / WASHER / RONDELLE	5.115-289.0	3
8	SCHRAUBENFEDER / HELICAL SPRING / RESSORT CYLINDRIQUE	5.332-150.0	3
9	O-RING 100,0 X 1,78 / GASKET / BAQUE D'ETANCHEITE	6.362-448.0	1
10	GEHAEUSE / HOUSING / BOITIER	5.060-261.0	1
11	ZYL.SCHR. M 8X 25 / CHEESE HEAD SCREW / VIS A TETE CYLINDR.	7.306-042.0	2
12	NUTRING 20X28X6/8 / GROOVED RING / JOINT A LEVRES	6.365-052.0	3
13	SCHEIBE / WASHER / RONDELLE	5.115-409.0	3
14	DICHTRING / JOINT RING / BAGUE D'ETANCHEITE	5.363-232.0	3
15	O-RING 21,0 X 4,0 / GASKET / BAQUE D'ETANCHEITE	6.362-614.0	3
16	BUCHSE / BUSH / DOUILLE	5.112-346.0	3
17	O-RING 34,65X 1,78 / GASKET / BAQUE D'ETANCHEITE	6.362-484.0	3
18	SCHEIBE / WASHER / RONDELLE	5.115-435.0	3
19	NUTRING / GROOVED RING / JOINT A LEVRES	6.365-330.0	3
100	PUMPENSET HDS 801 E / PUMP SET / GROUPE DE POMPES	2.883-446.0	1

"=> xxxxxx" = bis Werknummer / up to serial No. / jusqu' au No. de fabr. / "xxxxxx =>" = ab Werknummer / from serial No. / a partir du No. de fabr. /

GRUPPE: 2.2 VENTILE
GROUP: 2.2 VALVES
GRUPPE: 2.2 SOUPAPES

D2

HDS 801 E



Symbolbeschreibung siehe M16 / symbol description see M16 / désignation de système voir M16 /

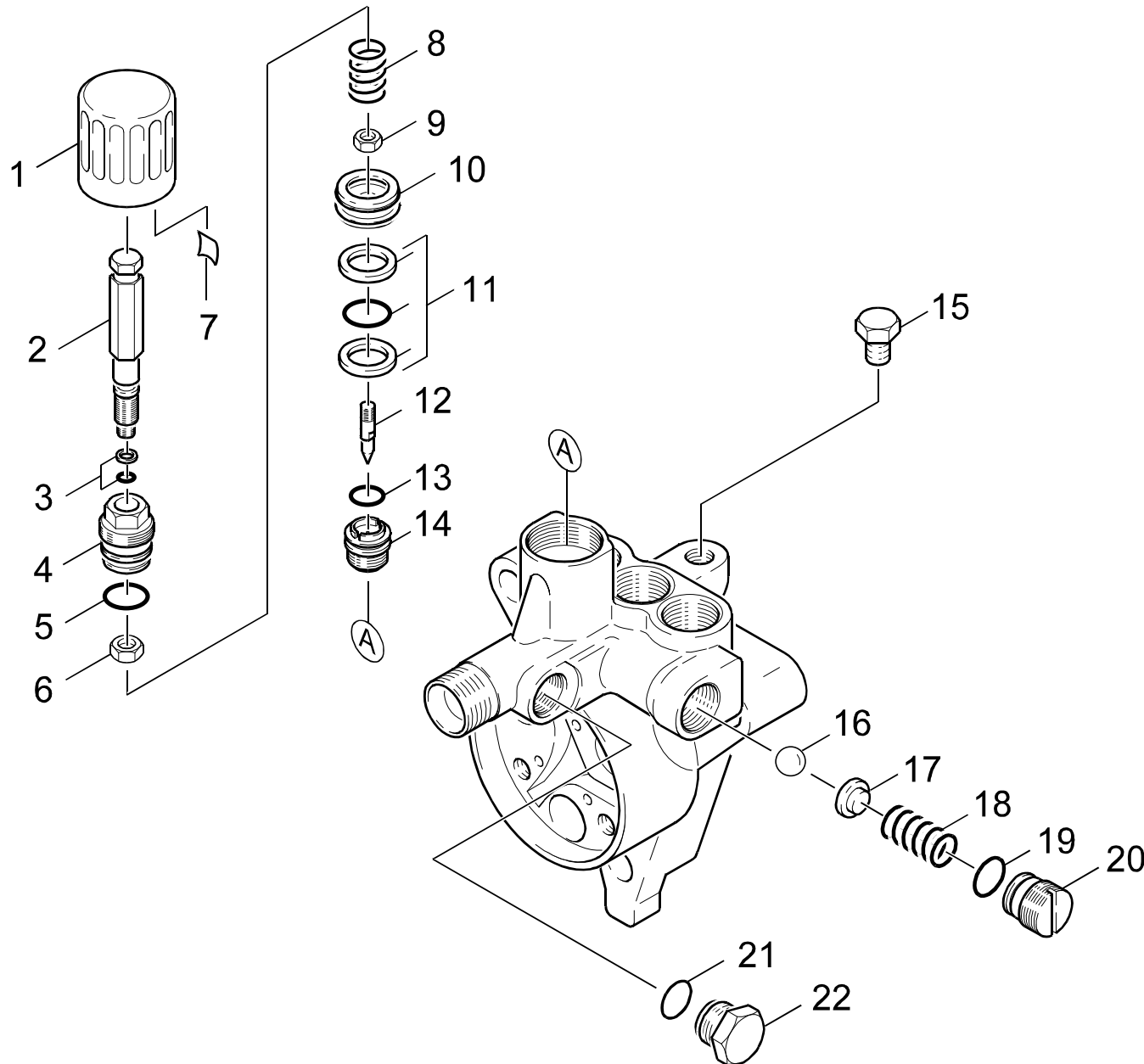
GRUPPE: 2.2 VENTILE
GROUP: 2.2 VALVES
GROUPE: 2.2 SOUPAPES

E2

HDS 801 E

POS. ITM. POS.	BENNENUNG DESCRIPTION DESIGNATION	TEILE-NR. PART-NO. NO.PIECE	STCK QTY. NBR.
1	VENTILSCHRAUBE / VALVE SCREW / VIS POINTEAU (SOUP.)	5.583-090.0	1
2	O-RING 15,3 X 2,4 / GASKET / BAQUE D'ETANCHEITE	6.362-153.0	3
3	VENTIL KPL. / VALVE / SOUPAPE	4.580-178.0	6
4	O-RING KPL./1ST.-R. / GASKET / BAQUE D'ETANCHEITE	6.362-466.0	6
6	HD-SCHLAUCH DN 4 / HIGH PRESSURE HOSE / TUYAU FLEXIBLE HAUTE PRE.	6.389-791.0	1
7	ZYLINDERKOPF KPL. / CYLINDER HEAD / CULASSE	4.550-098.0	1
8	O-RING 9,0 X 1,5 / GASKET / BAQUE D'ETANCHEITE	6.362-384.0	5
9	ZYL.SCHR. M12X 80 / CHEESE HEAD SCREW / VIS A TETE CYLINDR.	7.306-122.0	3
10	O-RING 12,0 X 1,5 / GASKET / BAQUE D'ETANCHEITE	6.362-527.0	1
11	VENTILGEHAEUSE / VALVE HOUSING / CORPS DE SOUPAPE	5.587-185.0	1
12	SCHRAUBENFEDER / HELICAL SPRING / RESSORT CYLINDRIQUE	5.332-124.0	1
13	VENTILTELLER / VALVE DISC / TETE DE SOUPAPE	5.582-003.0	1
14	VENTILSITZ / VALVE SEAT / SIEGE DE SOUPAPE	5.581-128.0	1
15	SCHLAUCHSCHELLE / HOSE BAND CLIP / COLLIER DE SERRAGE	6.388-515.0	1
16	SCHLAUCH DN 7 / HOSE / TUYAU FLEXIBLE ALS METERWARE BESTELLEN/TO ORDER AS CUT GOODS/COMMANDE COMME MARCHANDISE AU METRE	6.388-194.0	1
17	ZYL.SCHR. M 8X 25 / CHEESE HEAD SCREW / VIS A TETE CYLINDR.	7.306-042.0	3
18	O-RING 13,3 X 2,4 / GASKET / BAQUE D'ETANCHEITE	6.362-078.0	1
19	SCHLAUCHNIPPEL / HOSE STEM / RACCORD DE FLEXIBLE	5.443-285.0	1
20	MUTTER / NUT / ECROU	5.310-062.0	1
21	SCHUTZFEDER DN13 / PROTECTIVE SPRING / RESSORT D'ARRET	6.388-574.0	1
22	SCHLAUCH DN16 / HOSE / TUYAU FLEXIBLE ALS METERWARE BESTELLEN/TO ORDER AS CUT GOODS/COMMANDE COMME MARCHANDISE AU METRE	6.388-719.0	1
23	O-RING 68,0 X 2,0 / GASKET / BAQUE D'ETANCHEITE	6.362-501.0	1
24	GEHAEUSEDECKEL / COVER / COUVERCLE	5.063-364.0	1
26	DUESENEINSATZ / NOZZLE INSERT / INSERT DE BUSE	5.769-079.0	1
27	HD-SCHLAUCH DN 8 / HIGH PRESSURE HOSE / TUYAU FLEXIBLE HAUTE PRE.	6.389-424.0	1
100	PUMPENSET HDS 801 E / PUMP SET / GROUPE DE POMPES	2.883-446.0	1

"=> xxxxxx" = bis Werknummer / up to serial No. / jusqu' au No. de fabr. / "xxxxxx =>" = ab Werknummer / from serial No. / a partir du No. de fabr. /



Symbolbeschreibung siehe M16 / symbol description see M16 / désignation de système voir M16 /

GRUPPE: 2.3 MENGENREGULIERUNG
GROUP: 2.3 CONTROL VALVE
GROUPE: 2.3 SOUPE DE REGLAGE

G2

HDS 801 E

POS. ITM. POS.	BENNENNUNG DESCRIPTION DESIGNATION	TEILE-NR. PART-NO. NO.PIECE	STCK QTY. NBR.
1	GRIF / HANDLE / POIGNEE	5.321-283.0	1
2	6KT-SCHRAUBE / HEXAGONAL HEAD SCREW / VIS HEXAGONAL	5.304-051.0	1
3	O-RING KPL./1ST.-R. / GASKET / BAQUE D'ETANCHEITE	6.362-468.0	1
4	VERSCHLUSSSCHRAUBE / CLOSING SCREW / VIS DE FERMETURE	5.411-057.0	1
5	O-RING 22,0 X 1,5 / GASKET / BAQUE D'ETANCHEITE	6.362-596.0	1
6	6KT-MUTTER M 6LINKS / HEXAGON NUT / ECROU HEXAGONAL	7.311-218.0	1
7	SICHERUNGSFEDER / RETAINING SPRING / RESSORT D'ARRET	6.313-003.0	1
8	SCHRAUBENFEDER / HELICAL SPRING / RESSORT CYLINDRIQUE	5.332-160.0	1
9	6KT-MUTTER M 5 / HEXAGON NUT / ECROU HEXAGONAL	7.311-037.0	1
10	KOLBEN / PISTON / PISTON	5.553-217.0	1
11	O-RING KPL./2ST.-R. / GASKET / BAQUE D'ETANCHEITE	6.362-610.0	1
12	VENTILBOLZEN / VALVE PIN / BOULON DE SOUPE	5.584-066.0	1
13	O-RING 12,42X 1,78 / GASKET / BAQUE D'ETANCHEITE	6.362-480.0	1
14	VENTILSITZ / VALVE SEAT / SIEGE DE SOUPE	5.581-126.0	1
15	VS-SCHRAUBE R 1/4" / CLOSING SCREW / VIS DE FERMETURE	7.382-273.0	1
16	KUGEL 7,0 G300 / BALL / BOULE	7.401-908.0	1
17	VENTILTeller / VALVE DISC / TETE DE SOUPE	5.582-075.0	1
18	SCHRAUBENFEDER / HELICAL SPRING / RESSORT CYLINDRIQUE	5.332-203.0	1
19	O-RING 12,0 X 2,0 / GASKET / BAQUE D'ETANCHEITE	6.362-169.0	1
20	VENTILSCHRAUBE / VALVE SCREW / VIS POINTEAU (SOUP.)	5.583-089.0	1
21	O-RING 12,0 X 1,5 / GASKET / BAQUE D'ETANCHEITE	6.362-527.0	1
22	VERSCHLUSSSCHRAUBE / CLOSING SCREW / VIS DE FERMETURE	5.411-074.0	1
100	PUMPENSET HDS 801 E / PUMP SET / GROUPE DE POMPES	2.883-446.0	1

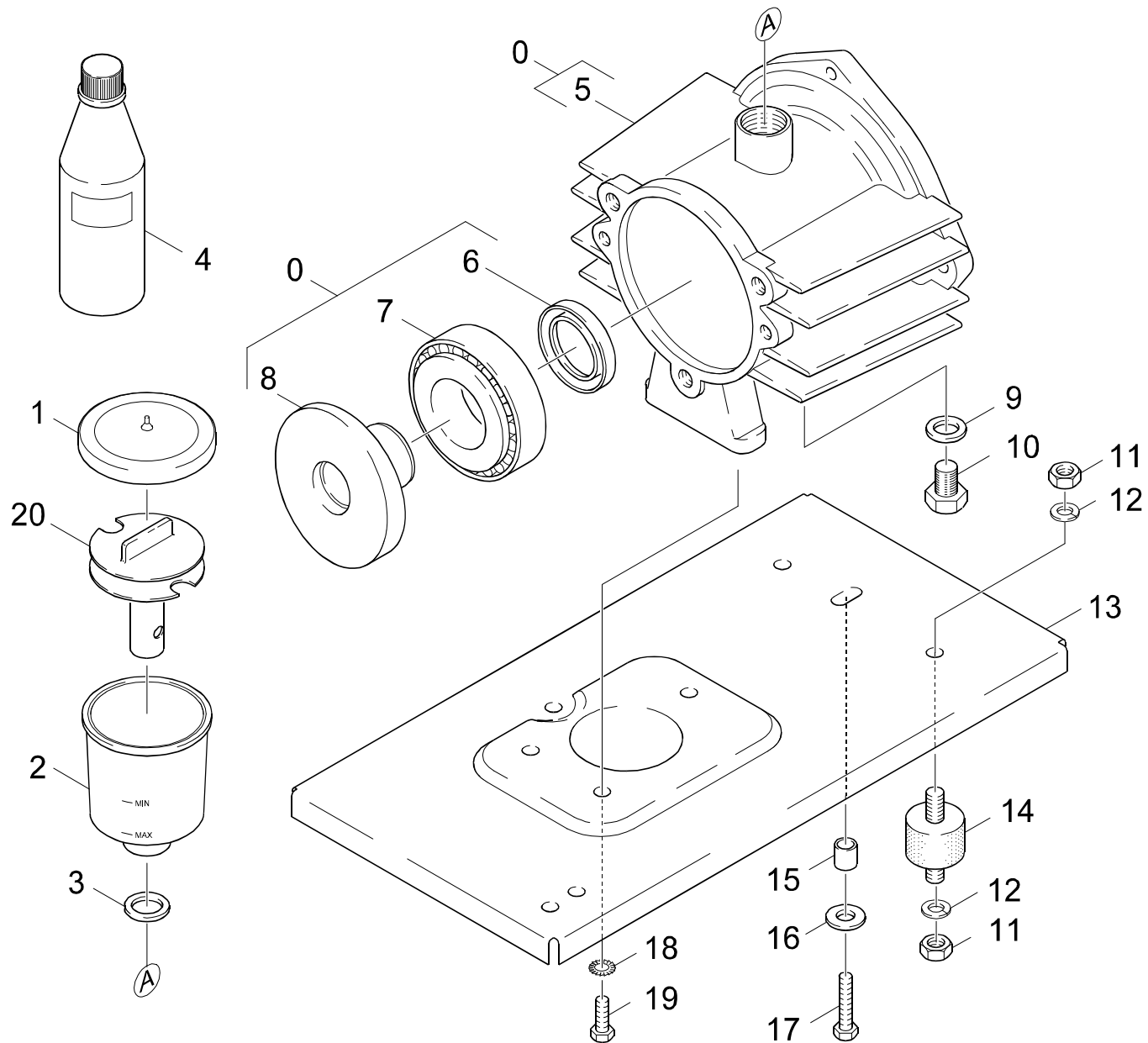
"=> xxxxxx" = bis Werknummer / up to serial No. / jusqu' au No. de fabr. / "xxxxxx =>" = ab Werknummer / from serial No. / a partir du No. de fabr. /

GRUPPE: 3.0 MOTOR
GROUP: 3.0 MOTOR
GRUPPE: 3.0 MOTEUR

A3

HDS 801 E

GRUPPE: 3.0 MOTOR
GROUP: 3.0 MOTOR
GRUPPE: 3.0 MOTEUR



Symbolbeschreibung siehe M16 / symbol description see M16 / désignation de système voir M16 /

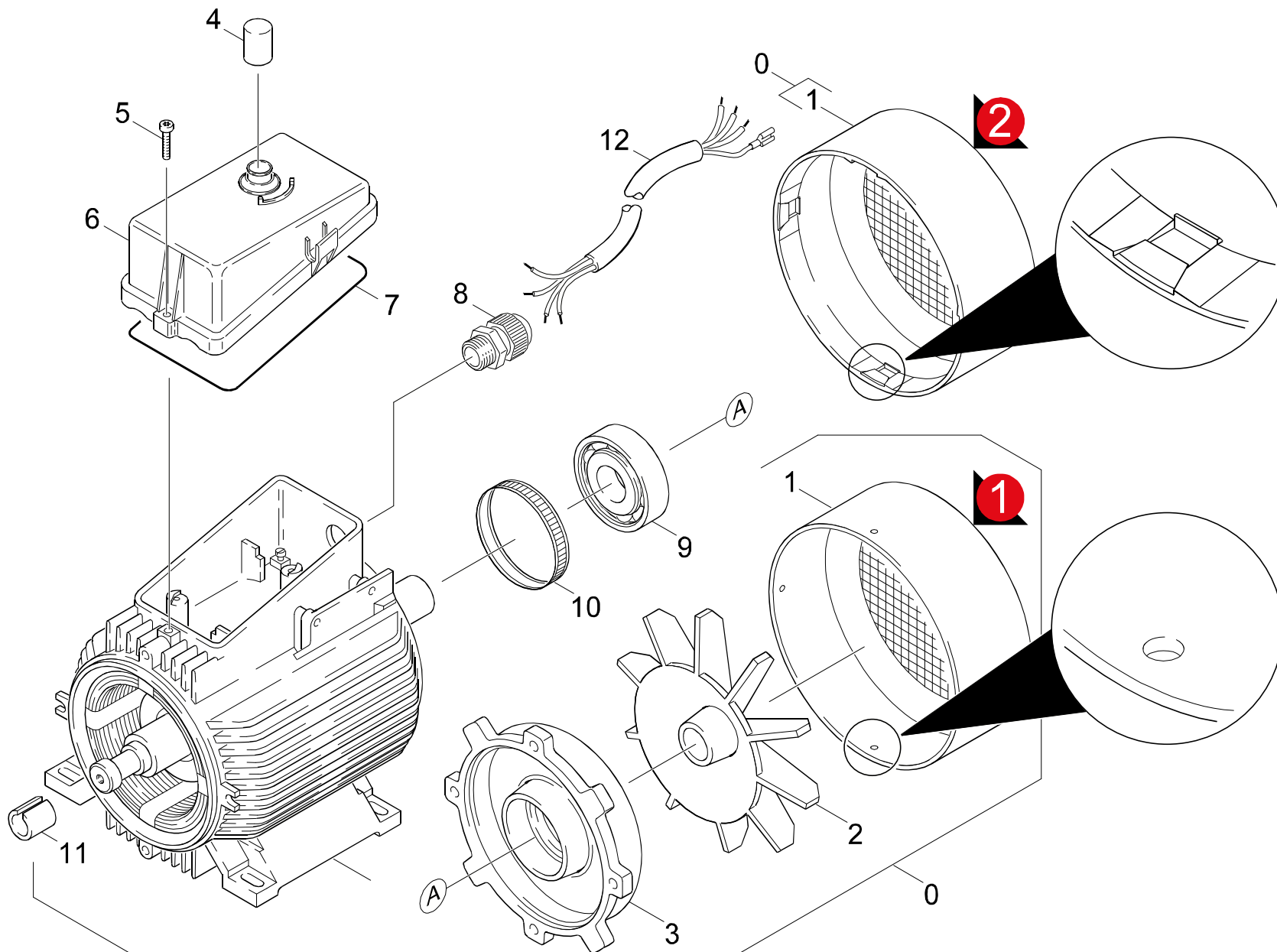
GRUPPE: 3.1 ANTRIEB
 GROUP: 3.1 ACTUATION
 GROUPE: 3.1 ENTRAINEMENT

C3

HDS 801 E

POS. ITM. POS.	BENNENUNG DESCRIPTION DESIGNATION	TEILE-NR. PART-NO. NO.PIECE	STCK QTY. NBR.
0	E-MOTOR 4,5KW / ELECTRIC MOTOR / MOTEUR ELECTRIQUE / 1.030-111.0 / -131.0 / -281.0 / -291.0 / -461.0 / -771.0	6.611-434.0	1
0	E-MOTOR 4,5KW / ELECTRIC MOTOR / MOTEUR ELECTRIQUE / 1.030-601.0	6.611-724.0	1
1	DECKEL / COVER / COUVERCLE	5.063-416.0	1
2	BEHAELTER / TANK / BAC	5.070-048.0	1
3	DICHTRING / JOINT RING / BAGUE D'ETANCHEITE	5.363-100.0	1
4	MOTORENOEL SAE 50 / ENGINE OIL / HUILE (MOTEUR)	6.288-061.0	1
5	GEHAEUSE / HOUSING / BOITIER	5.060-292.0	1
6	RWDR A35 X 52 X 7 / ROTARY SHAFT SEAL / JOINT (ARBRE)	7.367-009.0	1
7	KEGELROLLENLAGER 41 / TAPER ROLLER BEARIN / PALIER A ROULEAUX	6.401-225.0	1
8	TAUMELSCHIEBE / SWASH PLATE / DISQUE EN NUTATION / 1.030-111.0 / -131.0 / -281.0 / -291.0 / -461.0 / -771.0	5.120-179.0	1
8	TAUMELSCHIEBE / SWASH PLATE / DISQUE EN NUTATION / 1.030-601.0	5.120-189.0	1
9	DICHTRING 14 X18 / JOINT RING / BAGUE D'ETANCHEITE	7.362-005.0	1
10	VS-SCHRAUBE M14X1,5 / CLOSING SCREW / VIS DE FERMETURE	7.382-233.0	1
11	6KT-MUTTER M 8 / HEXAGON NUT / ECROU HEXAGONAL	7.311-004.0	8
12	ZAHNSCHIEBE A 8,4 / LOCK WASHER / ROUE PLATE	7.312-166.0	6
13	GRUNDPLATTE / BASE PLATE / PLAQUE DE BASE	5.051-042.0	1
14	GUMMIPUFFER M8 / RUBBER BUFFER / BUTOIR CAOUTCHOUC	6.339-060.0	1
15	ROHR / PIPE / TUYAU	5.026-805.0	1
16	SCHIEBE 8 / WASHER / RONDELLE	7.312-277.0	1
17	6KT-SCHR. M 8X 25 / HEXAGONAL HEAD SCREW / VIS HEXAGONAL	7.304-399.0	1
18	ZAHNSCHIEBE A 8,4 / LOCK WASHER / ROUE PLATE	7.312-159.0	1
19	6KT-SCHR. M 8X 16 / HEXAGONAL HEAD SCREW / VIS HEXAGONAL	7.304-395.0	1
20	FORMTEIL / MOULDED PART / PREFORME	5.030-389.0	1

"=> xxxxxx" = bis Werknummer / up to serial No. / jusqu' au No. de fabr. / "xxxxxx =>" = ab Werknummer / from serial No. / a partir du No. de fabr. /



Symbolbeschreibung siehe M16 / symbol description see M16 / désignation de système voir M16 /

GRUPPE: 3.2 LUEFTUNG
GROUP: 3.2 VENTILATION
GROUPE: 3.2 VENTILATION

E3

HDS 801 E

POS. ITM. POS.	BENNENNUNG DESCRIPTION DESIGNATION	TEILE-NR. PART-NO. NO.PIECE	STCK QTY. NBR.
0	E-MOTOR 4,5KW / ELECTRIC MOTOR / MOTEUR ELECTRIQUE / 1.030-111.0 / -131.0 / -281.0 / -291.0 / -461.0 / -771.0	6.611-434.0	1
0	E-MOTOR 4,5KW / ELECTRIC MOTOR / MOTEUR ELECTRIQUE / 1.030-601.0	6.611-724.0	1
1	LUEFTERHAUBE / BLOWER COVER / CAPOT DE VENTILATEUR VERSION 1	6.611-352.0	1
1	LUEFTERHAUBE / BLOWER COVER / CAPOT DE VENTILATEUR VERSION 2	6.611-971.0	1
2	LUEFTERRAD / BLOWER WHEEL / ROUE DE VENTILATEUR	6.611-247.0	1
3	LAGERSCHILD / END PLATE / FLASQUE	6.611-377.0	1
4	SCHUTZKAPPE / PROTECTIVE CAP / CAPOT PROTECTION	6.368-097.0	1
5	LINSENSCHR. M 4X 22 / OVAL HEAD SCREW / VIS A TETE BOMBEE	7.309-016.0	2
6	HAUBE / COVER / CAPOT	5.066-210.0	1
7	MOOSGUMMISCHNUR 4 / CELLULAR RUBBER CORD / CORDON EN CAOUTCHOUC CELL ALS METERWARE BESTELLEN/TO ORDER AS CUT GOODS/COMMANDE COMME MARCHANDISE AU METRE	6.273-070.0	1
8	KABELVERSCHR. / CABLE CONNECTOR / RACCORD DE CABLES	6.641-613.0	1
9	KUGELLAGER 6206-2Z / BALL BEARING / ROULEMENT A BILLE	7.401-132.0	1
10	TOLERANZRING 62X10 / TOLERANCE RING / BAGUE	6.343-010.0	1
11	TOLERANZRING / TOLERANCE RING / BAGUE	6.343-019.0	1
12	KABEL / CABLE / CABLE	4.820-801.0	1

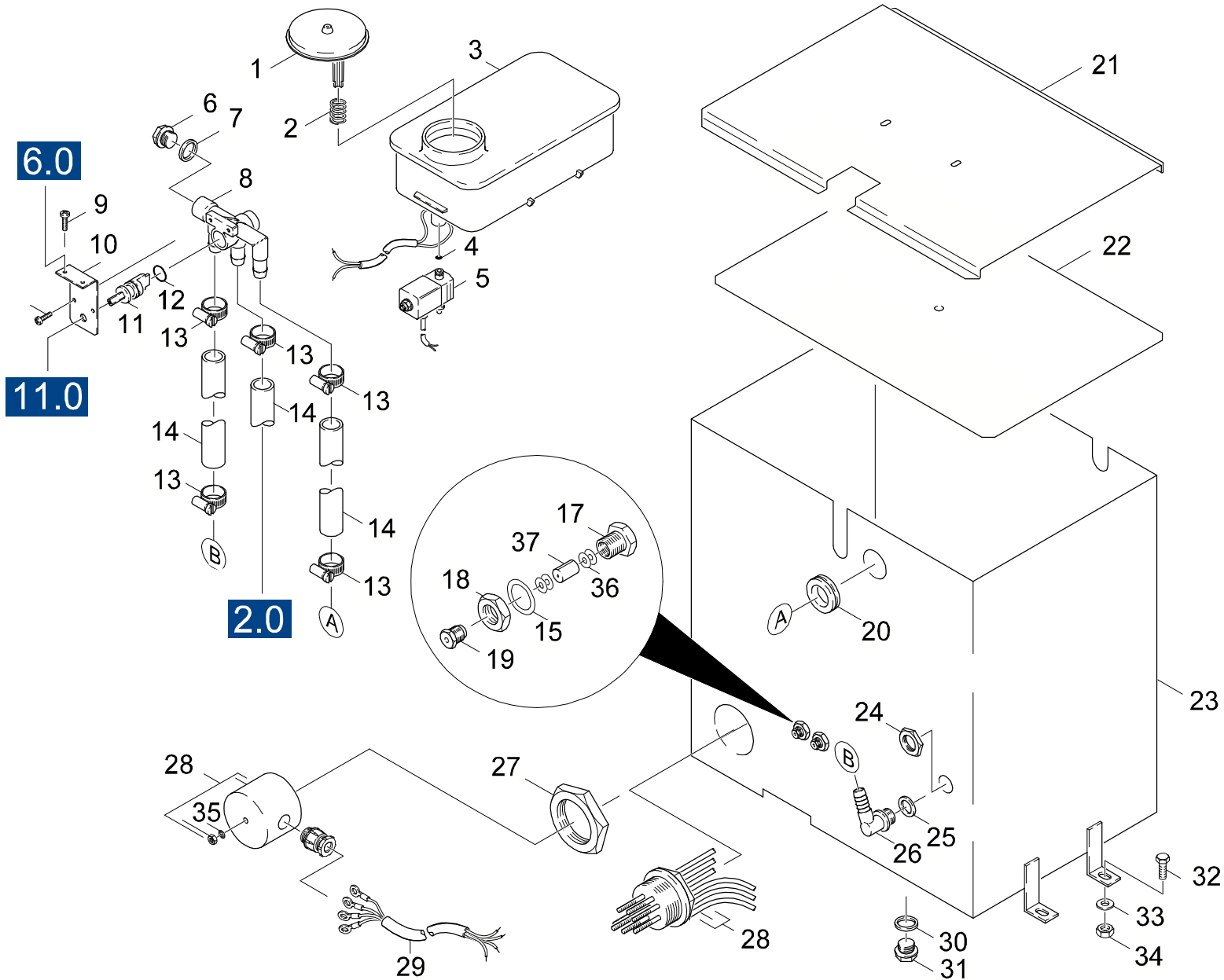
"=> xxxxxx" = bis Werknummer / up to serial No. / jusqu' au No. de fabr. / "xxxxxx =>" = ab Werknummer / from serial No. / a partir du No. de fabr. /

GRUPPE: 4.0 BEHAELTER
GROUP: 4.0 TANK
GRUPPE: 4.0 BAC

A4

HDS 801 E

GRUPPE: 4.0 BEHAELTER
GROUP: 4.0 TANK
GRUPPE: 4.0 BAC



Symbolbeschreibung siehe M16 / symbol description see M16 / désignation de système voir M16 /

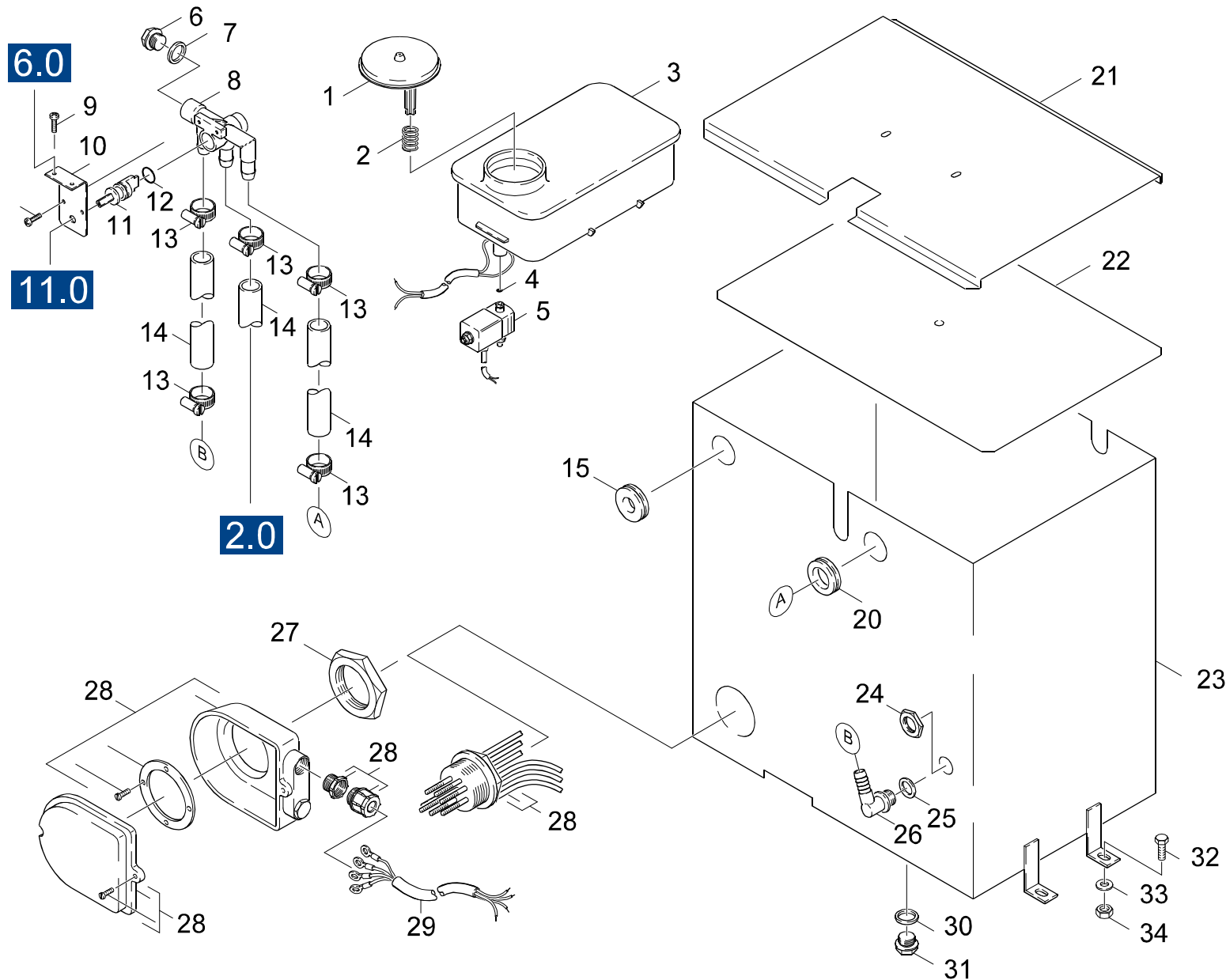
GRUPPE: 4.1 BEHAELTER / VERSION 1 /
 GROUP: 4.1 TANK / VERSION 1 /
 GROUPE: 4.1 BAC / VERSION 1 /

C4

HDS 801 E

POS. ITM. POS.	BENNENNUNG DESCRIPTION DESIGNATION	TEILE-NR. PART-NO. NO.PIECE	STCK QTY. NBR.	POS. ITM. POS.	BENNENNUNG DESCRIPTION DESIGNATION	TEILE-NR. PART-NO. NO.PIECE	STCK QTY. NBR.
1	DECKEL / COVER / COUVERCLE	5.063-226.0	1	29	KABEL / CABLE / CABLE	4.820-855.0	1
2	SCHRAUBENFEDER / HELICAL SPRING / RESSORT CYLINDRIQUE	5.332-001.0	1		/ 1.030-131.0 / -281.0 / -291.0		
3	BEHAELTER / TANK / BAC	4.070-196.0	1	29	KABEL / CABLE / CABLE	4.820-856.0	1
4	O-RING 6,0 X 2,0 / GASKET / BAQUE D'ETANCHEITE	6.362-113.0	1		/ 1.030-111.0 / -461.0 / -601.0 / -771.0		
5	MAGNETVENTIL / SOLENOID VALVE / ELECTROVANNE	6.685-210.0	1	30	DICHTRING 21 X26 / JOINT RING / BAGUE D'ETANCHEITE	7.362-023.0	1
6	DICHTRING 18 X22 / JOINT RING / BAGUE D'ETANCHEITE	7.362-009.0	1	31	VS-SCHRAUBE G 1/2" / CLOSING SCREW / VIS DE FERMETURE	7.382-141.0	1
7	VS-SCHRAUBE M18X1,5 / CLOSING SCREW / VIS DE FERMETURE	7.382-235.0	1	32	6KT-SCHR. M 8X 16 / HEXAGONAL HEAD SCREW / VIS HEXAGONAL	7.304-395.0	4
8	KNOTENSTUECK / MANIFOLD / FERRURE NODALE	5.427-050.0	1	33	SCHEIBE 8 / WASHER / RONDELLE	7.312-277.0	4
9	LINSENSCHR. M 4X 12 / OVAL HEAD SCREW / VIS A TETE BOMBEE	7.306-313.0	2	34	6KT-MUTTER M 8 / HEXAGON NUT / ECROU HEXAGONAL	7.311-004.0	4
10	WINKEL / ANGLE / ANGLE	5.019-207.0	1	35	DICHTRING 6,5X11 / JOINT RING / BAGUE D'ETANCHEITE	7.362-721.0	1
11	WELLE / SHAFT / ARBRE	5.100-056.0	1	36	SCHEIBE / WASHER / RONDELLE	6.312-016.0	8
12	O-RING 16,0 X 2,0 / GASKET / BAQUE D'ETANCHEITE	6.362-174.0	1	37	DICHTUNG / SEAL / BOURRAGE	6.362-679.0	2
13	SCHLAUCHSCHELLE / HOSE BAND CLIP / COLLIER DE SERRAGE	6.388-547.0	6				
14	SCHLAUCH DN16 / HOSE / TUYAU FLEXIBLE	6.388-719.0	1				
	ALS METERWARE BESTELLEN/TO ORDER AS CUT GOODS/COMMANDE COMME MARCHANDISE AU METRE						
15	DICHTUNG / SEAL / BOURRAGE	6.362-678.0	2				
17	VERSCHRAUBUNG / SCREW CONNECTOR / RACCORD A VIS	6.386-523.0	2				
18	6KT-MUTTER / HEXAGON NUT / ECROU HEXAGONAL	6.311-009.0	2				
19	NIPPEL / NIPPLE / NIPPLE	6.347-029.0	2				
20	DURCHFUEHR.TUELLE / BUSH / DOUILLE DE TRAVERSEE	6.641-431.0	1				
21	BLECHTEIL / PLATE / TOLE	5.046-581.0	1				
22	PLATTE / PLATE / PLAQUE	5.003-041.0	1				
23	BEHAELTER / TANK / BAC	4.070-195.0	1				
24	6KT-MUTTER G 1/2" / HEXAGON NUT / ECROU HEXAGONAL	6.310-004.0	1				
25	DICHTUNG / SEAL / BOURRAGE	6.362-358.0	1				
26	WINKELTUELLE 1/2" / ANGLE SOCKET / COUDE	6.388-405.0	1				
27	GEGENMUTTER P4-2 -EDELSTA / COUNTERNUT / CONTRE-ECROU	6.386-212.0	1				
28	HEIZKOERPER / HEATING ELEMENT / RADIATEUR	6.690-066.0	1				
	/ 1.030-131.0 / -281.0 / -291.0						
28	HEIZKOERPER / HEATING ELEMENT / RADIATEUR	6.690-067.0	1				
	/ 1.030-111.0 / -461.0 / -771.0						
28	HEIZKOERPER / HEATING ELEMENT / RADIATEUR	6.690-072.0	1				
	/ 1.030-601.0						

"=> xxxxxx" = bis Werknummer / up to serial No. / jusqu' au No. de fabr. / "xxxxxx =>" = ab Werknummer / from serial No. / a partir du No. de fabr. /



Symbolbeschreibung siehe M16 / symbol description see M16 / désignation de système voir M16 /

GRUPPE: 4.2 BEHAELTER / VERSION 2 /
 GROUP: 4.2 TANK / VERSION 2 /
 GROUPE: 4.2 BAC / VERSION 2 /

E4

HDS 801 E

POS. ITM. POS.	BENNENNUNG DESCRIPTION DESIGNATION	TEILE-NR. PART-NO. NO.PIECE	STCK QTY. NBR.	POS. ITM. POS.	BENNENNUNG DESCRIPTION DESIGNATION	TEILE-NR. PART-NO. NO.PIECE	STCK QTY. NBR.
1	DECKEL / COVER / COUVERCLE	5.063-226.0	1	29	KABEL / CABLE / CABLE	4.820-856.0	1
2	SCHRAUBENFEDER / HELICAL SPRING / RESSORT CYLINDRIQUE	5.332-028.0	1		/ 1.030-111.0 / -461.0 / -601.0 / -771.0		
3	BEHAELTER / TANK / BAC	4.070-196.0	1	30	DICHTRING 21 X26 / JOINT RING / BAGUE D'ETANCHEITE	7.362-023.0	1
4	O-RING 6,0 X 2,0 / GASKET / BAQUE D'ETANCHEITE	6.362-113.0	1	31	VS-SCHRAUBE G 1/2" / CLOSING SCREW / VIS DE FERMETURE	7.382-141.0	1
5	MAGNETVENTIL / SOLENOID VALVE / ELECTROVANNE	6.685-210.0	1	32	6KT-SCHR. M 8X 16 / HEXAGONAL HEAD SCREW / VIS HEXAGONAL	7.304-395.0	4
6	DICHTRING 18 X22 / JOINT RING / BAGUE D'ETANCHEITE	7.362-009.0	1	33	SCHEIBE 8 / WASHER / RONDELLE	7.312-277.0	4
7	VS-SCHRAUBE M18X1,5 / CLOSING SCREW / VIS DE FERMETURE	7.382-235.0	1	34	6KT-MUTTER M 8 / HEXAGON NUT / ECROU HEXAGONAL	7.311-004.0	4
8	KNOTENSTUECK / MANIFOLD / FERRURE NODALE	5.427-050.0	1				
9	LINSENSCHR. M 4X 12 / OVAL HEAD SCREW / VIS A TETE BOMBEE	7.306-313.0	2				
10	WINKEL / ANGLE / ANGLE	5.019-207.0	1				
11	WELLE / SHAFT / ARBRE	5.100-056.0	1				
12	O-RING 16,0 X 2,0 / GASKET / BAQUE D'ETANCHEITE	6.362-174.0	1				
13	SCHLAUCHSCHELLE / HOSE BAND CLIP / COLLIER DE SERRAGE	6.388-547.0	6				
14	SCHLAUCH DN16 / HOSE / TUYAU FLEXIBLE	6.388-719.0	1				
	ALS METERWARE BESTELLEN/TO ORDER AS CUT GOODS/COMMANDE COMME MARCHANDISE AU METRE						
15	PROFILDICHTUNG / SEAL / ETOUPE PROFILE	5.365-109.0	1				
20	DURCHFUEHR.TUELLE / BUSH / DOUILLE DE TRAVERSEE	6.641-431.0	1				
21	BLECHTEIL / PLATE / TOLE	5.046-581.0	1				
22	PLATTE / PLATE / PLAQUE	5.003-041.0	1				
23	BEHAELTER / TANK / BAC	4.070-195.0	1				
24	6KT-MUTTER G 1/2" / HEXAGON NUT / ECROU HEXAGONAL	6.310-004.0	1				
25	DICHTUNG / SEAL / BOURRAGE	6.362-358.0	1				
26	WINKELTUELLE 1/2" / ANGLE SOCKET / COUDE	6.388-405.0	1				
27	GEGENMUTTER P4-2 -EDELSTA / COUNTERNUT / CONTRE-ECROU	6.386-212.0	1				
28	HEIZKOERPER / HEATING ELEMENT / RADIATEUR	6.690-066.0	1				
	/ 1.030-131.0 / -281.0 / -291.0						
28	HEIZKOERPER / HEATING ELEMENT / RADIATEUR	6.690-067.0	1				
	/ 1.030-111.0 / -461.0 / -771.0						
28	HEIZKOERPER / HEATING ELEMENT / RADIATEUR	6.690-072.0	1				
	/ 1.030-601.0						
29	KABEL / CABLE / CABLE	4.820-855.0	1				
	/ 1.030-131.0 / -281.0 / -291.0						

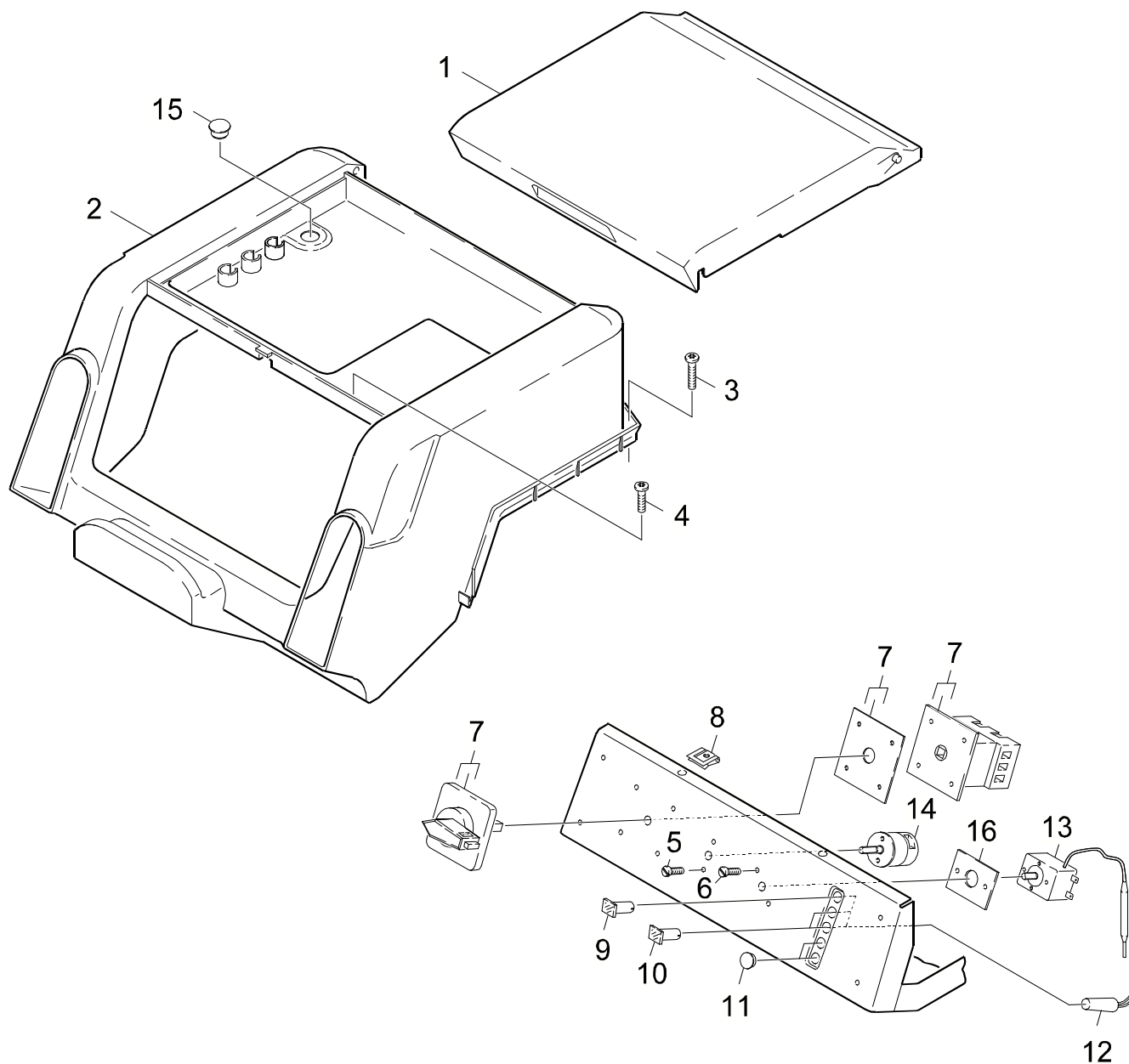
"=> xxxxxx" = bis Werknummer / up to serial No. / jusqu' au No. de fabr. / "xxxxxx =>" = ab Werknummer / from serial No. / a partir du No. de fabr. /

GRUPPE: 5.0 E-GERAETESCHRANK
GROUP: 5.0 ELECTRIC CONTROL BOX
GRUPPE: 5.0 COFFRET ELECTRIQUE

A5

HDS 801 E

GRUPPE: 5.0 E-GERAETESCHRANK
GROUP: 5.0 ELECTRIC CONTROL BOX
GRUPPE: 5.0 COFFRET ELECTRIQUE



Symbolbeschreibung siehe M16 / symbol description see M16 / désignation de système voir M16 /

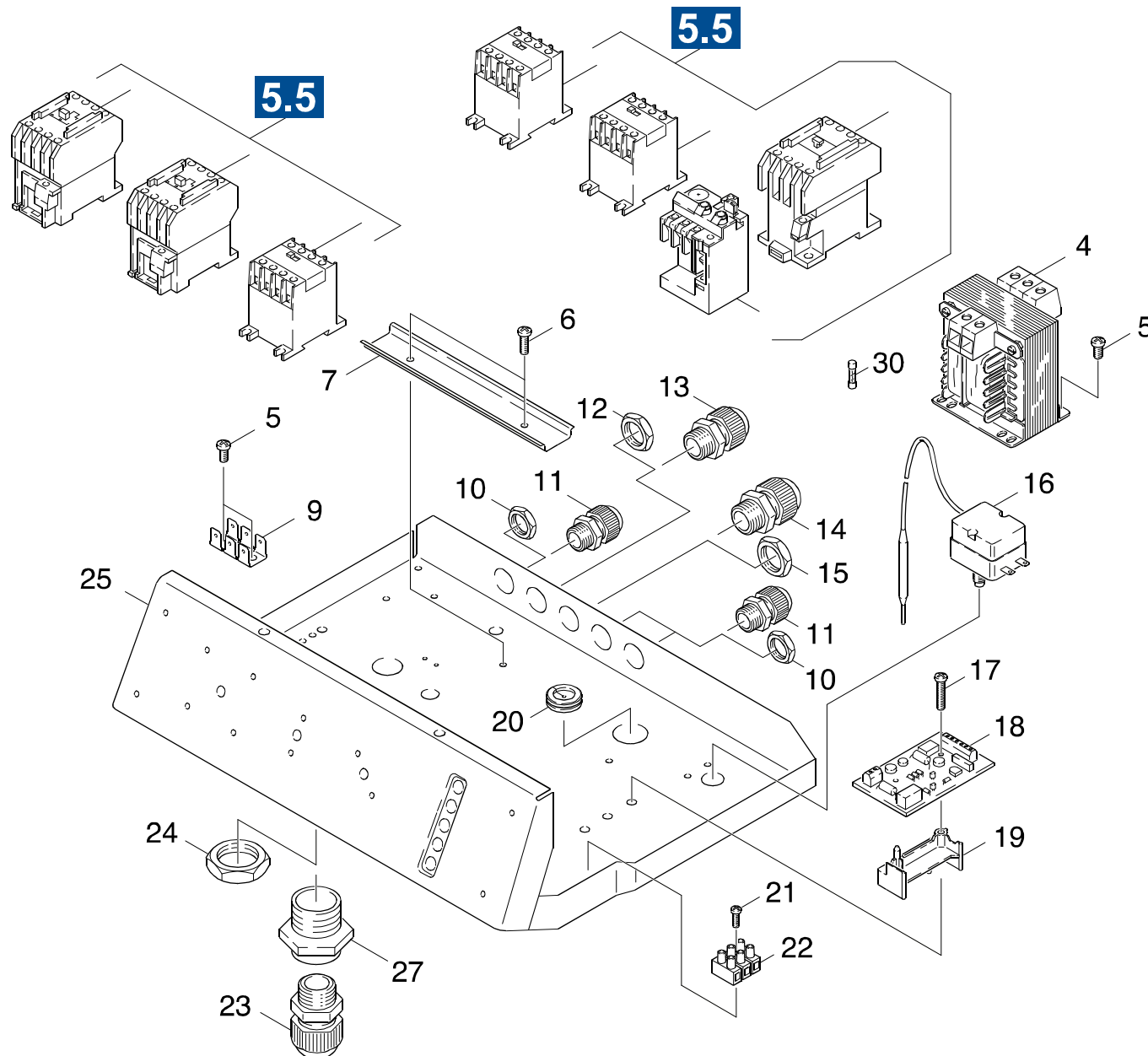
GRUPPE: 5.1 OBERTEIL / VERSION 1 /
GROUP: 5.1 TOP PART / VERSION 1 /
GROUPE: 5.1 PARTIE SUPERIEUR / VERSION 1 /

C5

HDS 801 E

POS. ITM. POS.	BENNENUN DESCRIPTION DESIGNATION	TEILE-NR. PART-NO. NO.PIECE	STCK QTY. NBR.
1	KLAPPE / FLAP / CLAPET	5.030-988.0	1
2	HAUBE / COVER / CAPOT	5.066-704.0	1
3	SCHRAUBE M 5X 55 / SCREW / VIS	7.303-045.0	2
4	BL.SCHR. ST4,8X19 / SHEET METAL SCREW / VIS A TOLE	7.303-078.0	2
5	SCHRAUBE M 3X 8 / SCREW / VIS	7.306-053.0	2
6	LINSENSCHR. M 4X 8 / OVAL HEAD SCREW / VIS A TETE BOMBEE	7.306-314.0	2
7	SCHALTER / SWITCH / INTERRUPTEUR / 1.030-111.0 / -461.0 / -771.0	6.631-770.0	1
7	SCHALTER / SWITCH / INTERRUPTEUR / 1.030-131.0 / -281.0 / -291.0	6.631-774.0	1
8	BLECHMUTTER / NUT / ECROU	6.310-034.0	2
9	LINSENGEHAUSE ROT / HOUSING / CARTER	6.651-316.0	1
10	LINSENGEHAUSE / HOUSING / CARTER	6.651-320.0	2
11	ZIERKAPPE D10/D12 / ORNAMENTAL HUB CAP / ENJOLIVEUR DE ROUE	6.368-076.0	2
12	SIGNALLEUCHE / PILOT LAMP / LAMPE TEMOIN	6.651-275.0	3
13	TEMPERATURREGLER / THERMOSTAT / THERMOSTAT	6.685-381.0	1
14	SCHALTER / SWITCH / INTERRUPTEUR	6.631-771.0	1
15	ABDECKKAPPE / CAP / CHAPE	6.368-099.0	1
16	SCHEIBE / WASHER / RONDELLE	5.115-623.0	1

"=> xxxxxx" = bis Werknummer / up to serial No. / jusqu' au No. de fabr. / "xxxxxx =>" = ab Werknummer / from serial No. / a partir du No. de fabr. /



Symbolbeschreibung siehe M16 / symbol description see M16 / désignation de système voir M16 /

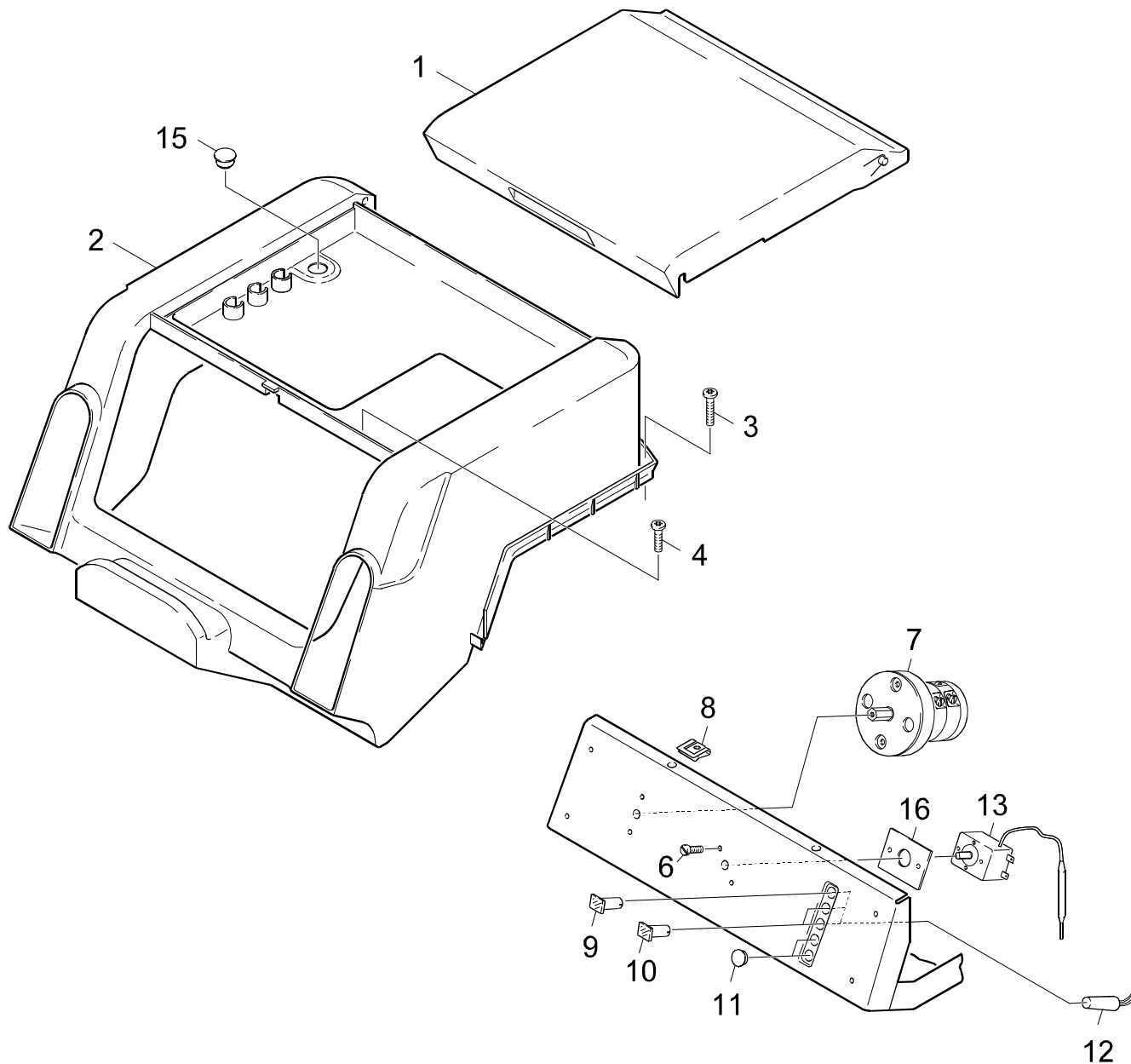
GRUPPE: 5.2 UNTERTEIL / VERSION 1 /
 GROUP: 5.2 BOTTOM / VERSION 1 /
 GROUPE: 5.2 PARTIE INFERIEURE / VERSION 1 /

E5

HDS 801 E

POS. ITM. POS.	BENNENNUNG DESCRIPTION DESIGNATION	TEILE-NR. PART-NO. NO.PIECE	STCK QTY. NBR.	POS. ITM. POS.	BENNENNUNG DESCRIPTION DESIGNATION	TEILE-NR. PART-NO. NO.PIECE	STCK QTY. NBR.
3	MOTORSCHUTZSCHALTER / MOTOR PROT. SWITCH / RELAIS (MOTEUR)	6.631-830.0	1	27	REDUKTION H PG29/21 / REDUCTION / REDUCTION	7.641-030.0	1
4	STEUERTRAF0 40VA / TRANSFORMER / TRANSFORMATEUR	6.622-021.0	1	30	G-SCHMELZEINSATZ / CARTRIDGE / BOUCHON FUSIBLE	6.644-052.0	1
	/ 1.030-111.0 / -131.0 / -291.0 / -601.0 / -771.0						
4	STEUERTRAF0 / TRANSFORMER / TRANSFORMATEUR	6.622-050.0	1				
	/ 1.030-281.0 / -461.0						
5	SCHNEIDSCHR. M4X 8 / SELF-TAPPING SCREW / VIS AUTOTARAUEUSE	6.303-017.0	4				
6	SCHRAUBE M 5X 8 / SCREW / VIS	7.303-036.0	2				
7	MONTAGETEIL 210LANG / MOUNTING PART / PIECE MONTAGE	5.802-227.0	1				
9	FLACHSTECKER / PLUG / FICHE PLATE	6.641-270.0	1				
10	GEGENMUTTER PG 9 / COUNTERNUT / CONTRE-ECROU	6.641-366.0	3				
11	KABELVERSCHR. PG 9 / CABLE CONNECTOR / RACCORD DE CABLES	6.641-355.0	3				
12	GEGENMUTTER PG16 / COUNTERNUT / CONTRE-ECROU	6.641-370.0	1				
13	KABELVERSCHR. PG16 / CABLE CONNECTOR / RACCORD DE CABLES	6.641-356.0	1				
14	KABELVERSCHR. PG11 / CABLE CONNECTOR / RACCORD DE CABLES	6.641-357.0	1				
15	GEGENMUTTER PG11 / COUNTERNUT / CONTRE-ECROU	6.641-367.0	1				
16	TEMPERATURBEGRENZER / TEMPERATURE LIMITER / THERMOSTAT	6.685-382.0	1				
17	SCHNEIDSCHR. M4X 30 / SELF-TAPPING SCREW / VIS AUTOTARAUEUSE	7.303-506.0	1				
18	IMPULSGEBER / PULSE GENERATOR / CONTACTEUR	6.633-287.0	1				
19	AUFLAGER / SUPPORT / SUPPORT	5.057-043.0	1				
20	PROFILDICHTUNG / SEAL / ETOUPE PROFILE	5.365-109.0	1				
21	SCHNEIDSCHR. M3X 16 / SELF-TAPPING SCREW / VIS AUTOTARAUEUSE	6.303-014.0	1				
22	KLEMMLEISTE / STRIP TERMINAL / BORNE PLATE	6.643-249.0	1				
23	KABELVERSCHR. PG29 / CABLE CONNECTOR / RACCORD DE CABLES	6.641-400.0	1				
	/ 1.030-111.0 / -461.0 / -601.0 / -771.0						
23	KABELVERSCHR. PG21 / CABLE CONNECTOR / RACCORD DE CABLES	6.641-601.0	1				
	/ 1.030-131.0 / -281.0 / -291.0						
24	GEGENMUTTER PG29 / COUNTERNUT / CONTRE-ECROU	6.641-380.0	1				
25	BLECHTEIL / PLATE / TOLE	5.046-919.0	1				
26	DURCHFUEHR.TUELLE / BUSH / DOUILLE DE TRAVERSEE	6.641-433.0	1				

"=> xxxxxx" = bis Werknummer / up to serial No. / jusqu' au No. de fabr. / "xxxxxx =>" = ab Werknummer / from serial No. / a partir du No. de fabr. /



Symbolbeschreibung siehe M16 / symbol description see M16 / désignation de système voir M16 /

GRUPPE: 5.3 OBERTEIL / VERSION 2 /
GROUP: 5.3 TOP PART / VERSION 2 /
GROUPE: 5.3 PARTIE SUPERIEUR / VERSION 2 /

G5

HDS 801 E

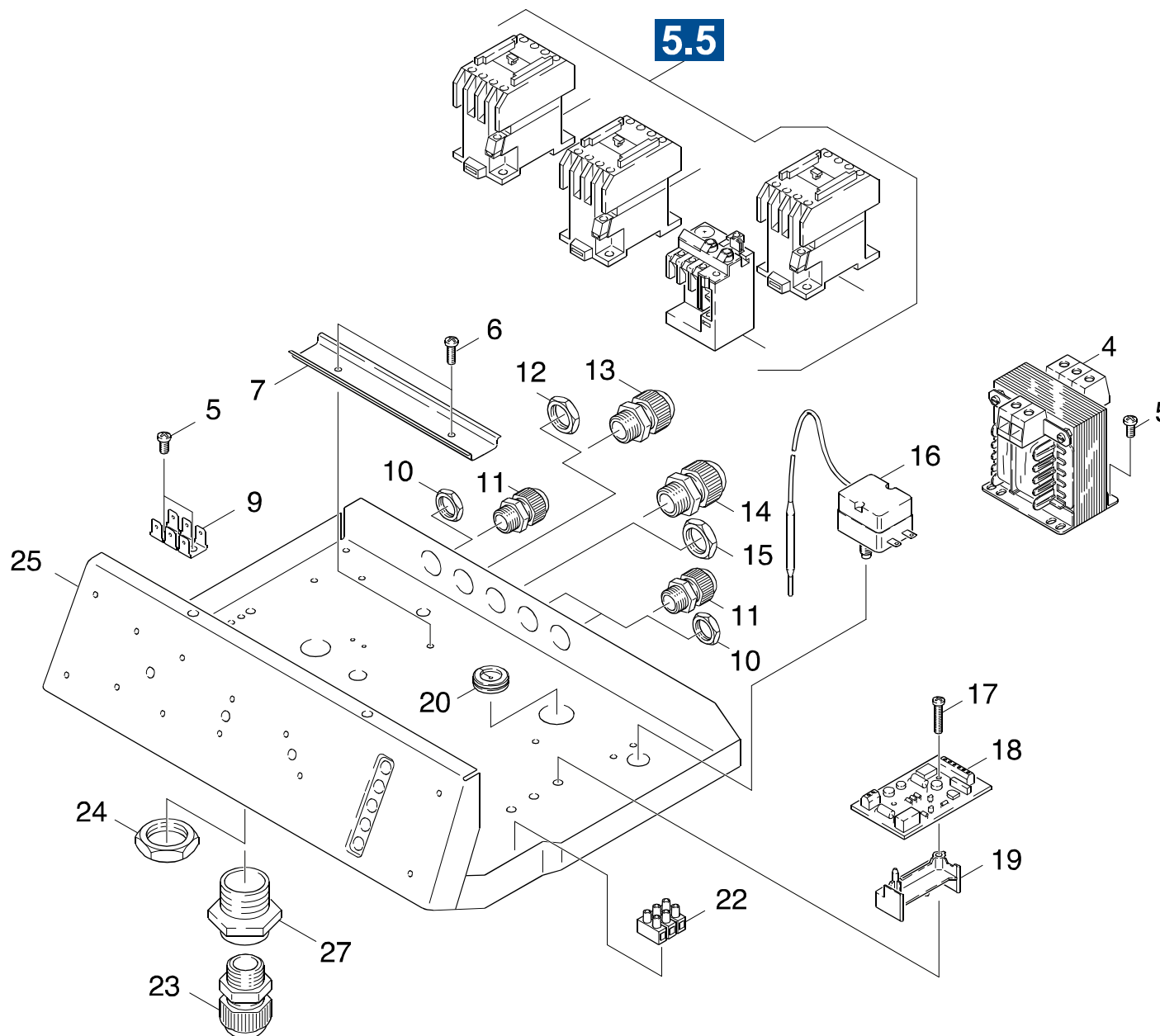
POS. ITM. POS.	BENNENUN DESCRIPTION DESIGNATION	TEILE-NR. PART-NO. NO.PIECE	STCK QTY. NBR.
1	KLAPPE / FLAP / CLAPET	5.030-988.0	1
2	HAUBE / COVER / CAPOT	5.066-704.0	1
3	SCHRAUBE M 5X 55 / SCREW / VIS	7.303-045.0	2
4	BL.SCHR. ST4,8X19 / SHEET METAL SCREW / VIS A TOLE	7.303-078.0	2
6	LINSENSCHR. M 4X 8 / OVAL HEAD SCREW / VIS A TETE BOMBEE	7.306-314.0	2
7	GERAETESCHALTER / SWITCH / INTERRUPTEUR / 1.030-131.0 / -281.0 / -291.0	6.631-197.0	1
7	SCHALTER / SWITCH / INTERRUPTEUR / 1.030-111.0 / -461.0 / -771.0	6.631-853.0	1
8	BLECHMUTTER / NUT / ECROU	6.310-034.0	2
9	LINSENGEHAEUSE ROT / HOUSING / CARTER	6.651-316.0	2
10	LINSENGEHAEUSE / HOUSING / CARTER	6.651-320.0	1
11	ZIERKAPPE D10/D12 / ORNAMENTAL HUB CAP / ENJOLIVEUR DE ROUE	6.368-076.0	2
12	SIGNALLEUCHE / PILOT LAMP / LAMPE TEMOIN	6.651-275.0	3
13	TEMPERATURREGLER / THERMOSTAT / THERMOSTAT	6.685-381.0	1
15	ABDECKKAPPE / CAP / CHAPE	6.368-099.0	1
16	SCHEIBE / WASHER / RONDELLE	5.115-623.0	1

"=> xxxxxx" = bis Werknummer / up to serial No. / jusqu' au No. de fabr. / "xxxxxx =>" = ab Werknummer / from serial No. / a partir du No. de fabr. /

GRUPPE: 5.4 UNTERTEIL / VERSION 2 /
GROUP: 5.4 BOTTOM / VERSION 2 /
GROUPE: 5.4 PARTIE INFERIEURE / VERSION 2 /

H5

HDS 801 E



Symbolbeschreibung siehe M16 / symbol description see M16 / désignation de système voir M16 /

GRUPPE: 5.4 UNTERTEIL / VERSION 2 /
 GROUP: 5.4 BOTTOM / VERSION 2 /
 GROUPE: 5.4 PARTIE INFERIEURE / VERSION 2 /

15

HDS 801 E

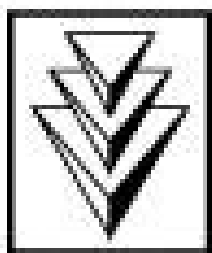
POS. ITM. POS.	BENNENUNG DESCRIPTION DESIGNATION	TEILE-NR. PART-NO. NO.PIECE	STCK QTY. NBR.
4	STEUERTRAFO 40VA / TRANSFORMER / TRANSFORMATEUR / 1.030-111.0 / -131.0 / -291.0 / -601.0 / -771.0	6.622-021.0	1
4	STEUERTRAFO / TRANSFORMER / TRANSFORMATEUR / 1.030-281.0 / -461.0	6.622-050.0	1
5	SCHNEIDSCHR. M4X 8 / SELF-TAPPING SCREW / VIS AUTOTARAUEUSE	6.303-017.0	4
6	SCHRAUBE M 5X 8 / SCREW / VIS	7.303-036.0	2
7	MONTAGETEIL 210LANG / MOUNTING PART / PIECE MONTAGE	5.802-227.0	1
9	FLACHSTECKER / PLUG / FICHE PLATE	6.641-270.0	1
10	GEGENMUTTER PG 9 / COUNTERNUT / CONTRE-ECROU	6.641-366.0	3
11	KABELVERSCHR. PG 9 / CABLE CONNECTOR / RACCORD DE CABLES	6.641-355.0	3
12	GEGENMUTTER PG16 / COUNTERNUT / CONTRE-ECROU	6.641-370.0	1
13	KABELVERSCHR. PG16 / CABLE CONNECTOR / RACCORD DE CABLES	6.641-356.0	1
14	KABELVERSCHR. PG11 / CABLE CONNECTOR / RACCORD DE CABLES	6.641-357.0	1
15	GEGENMUTTER PG11 / COUNTERNUT / CONTRE-ECROU	6.641-367.0	1
16	TEMPERATURBEGRENZER / TEMPERATURE LIMITER / THERMOSTAT	6.685-382.0	1
17	SCHNEIDSCHR. M4X 30 / SELF-TAPPING SCREW / VIS AUTOTARAUEUSE	7.303-506.0	1
18	IMPULSGEBER / PULSE GENERATOR / CONTACTEUR	6.633-372.0	1
19	AUFLAGER / SUPPORT / SUPPORT	5.057-043.0	1
20	PROFILDICHTUNG / SEAL / ETOUPE PROFILE	5.365-109.0	1
22	KLEMMLEISTE / STRIP TERMINAL / BORNE PLATE	6.643-249.0	1
23	KABELVERSCHR. PG29 / CABLE CONNECTOR / RACCORD DE CABLES / 1.030-111.0 / -461.0 / -601.0 / -771.0	6.641-400.0	1
23	KABELVERSCHR. PG21 / CABLE CONNECTOR / RACCORD DE CABLES / 1.030-131.0 / -281.0 / -291.0	6.641-601.0	1
24	GEGENMUTTER PG29 / COUNTERNUT / CONTRE-ECROU	6.641-380.0	1
25	BLECHTEIL / PLATE / TOLE	5.046-919.0	1
26	DURCHFUEHR. TUELLE / BUSH / DOUILLE DE TRAVERSEE	6.641-433.0	1
27	REDUKTION H PG29/21 / REDUCTION / REDUCTION / 1.030-131.0 / -281.0 / -291.0	7.641-030.0	1

"=> xxxxxx" = bis Werknummer / up to serial No. / jusqu' au No. de fabr. / "xxxxxx =>" = ab Werknummer / from serial No. / a partir du No. de fabr. /

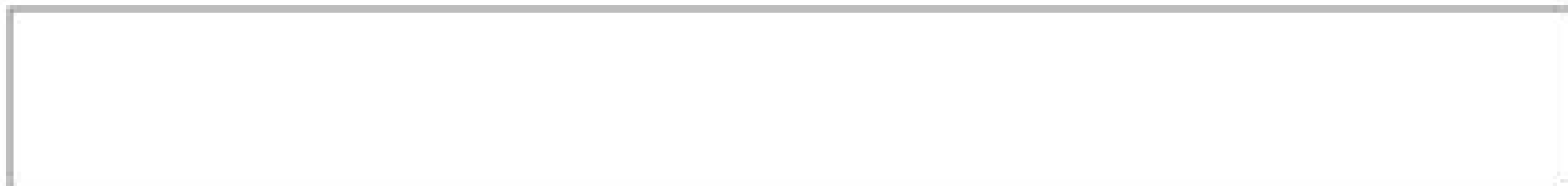
GRUPPE: 5.5 SCHUETZ
GROUP: 5.5 CONTACTOR
GRUPPE: 5.5 CONTACTEUR

J5

HDS 801 E



KÄRCHER



Symbolbeschreibung siehe M16 / symbol description see M16 / désignation de système voir M16 /

GRUPPE: 5.5 SCHUETZ
GROUP: 5.5 CONTACTOR
GROUPE: 5.5 CONTACTEUR

K5

HDS 801 E

POS.	BENNENUNG	TEILE-NR.	STCK
ITM.	DESCRIPTION	PART-NO.	QTY.
POS.	DESIGNATION	NO.PIECE	NBR.

1	SCHUETZ / CONTACTOR / CONTACTEUR	6.632-356.0	1
	STUECKZAHL NACH BEDARF/QUANTITY ACCORDING TO DEMAND/NOMBRE DE PIECES AU BESOIN		
2	UBS SCHUETZ / KIT / KIT DE MODIFIC.	2.884-303.0	1
3	LEISTUNGSSCHUETZ / CONTACTOR / CONTACTEUR	6.632-311.0	1
4	UEBERSTROMRELAIS / OVERLOAD RELAY / RELAIS	6.633-476.0	1
5	LEISTUNGSSCHUETZ / CONTACTOR / CONTACTEUR	6.632-310.0	1

"=> xxxxxx" = bis Werknummer / up to serial No. / jusqu' au No. de fabr. / "xxxxxx =>" = ab Werknummer / from serial No. / a partir du No. de fabr. /

GRUPPE: 6.0 SCHWIMMERKASTEN
GROUP: 6.0 FLOAT CHEST
GRUPPE: 6.0 BOITE DU FLOTTEUR

A6

HDS 801 E

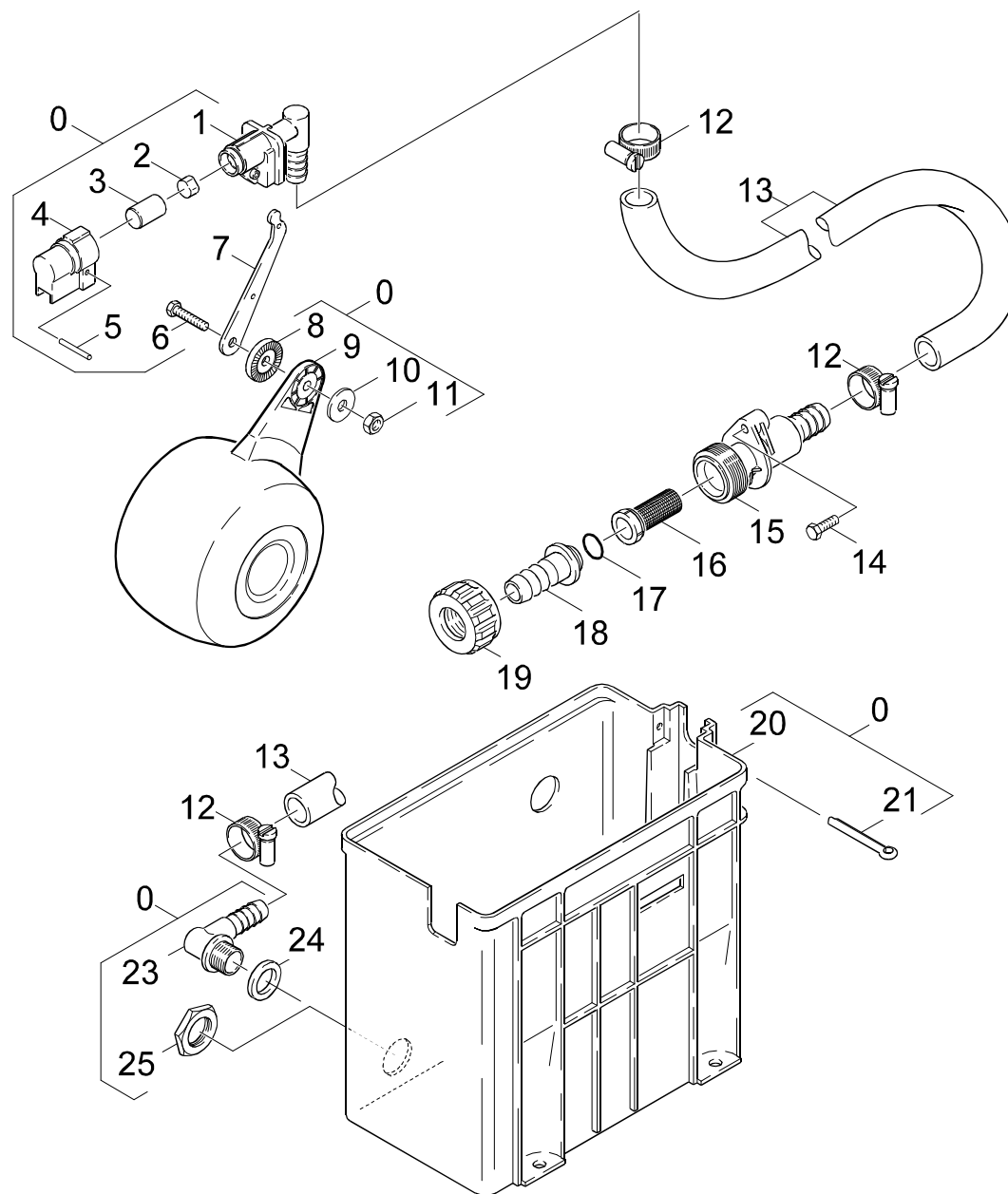
GRUPPE: 6.0 SCHWIMMERKASTEN
GROUP: 6.0 FLOAT CHEST
GRUPPE: 6.0 BOITE DU FLOTTEUR

Ersatzteile unter www.gluesing.net

GRUPPE: 6.0 SCHWIMMERKASTEN
GROUP: 6.0 FLOAT CHEST
GRUPPE: 6.0 BOITE DU FLOTTEUR

B6

HDS 801 E



Symbolbeschreibung siehe M16 / symbol description see M16 / désignation de système voir M16 /

GRUPPE: 6.0 SCHWIMMERKASTEN
GROUP: 6.0 FLOAT CHEST
GROUPE: 6.0 BOITE DU FLOTTEUR

C6

HDS 801 E

POS. ITM. POS.	BENNENUNG DESCRIPTION DESIGNATION	TEILE-NR. PART-NO. NO.PIECE	STCK QTY. NBR.
0	SCHWIMMERVERTIL / FLOAT VALVE / SOUPAPE A FLOTTEUR	3.593-064.0	1
1	VENTILGEHAEUSE / VALVE HOUSING / CORPS DE SOUPAPE	5.587-093.0	1
2	FLACHDICHTUNG / GASKET / GARNITURE PLATE	5.364-095.0	1
3	VENTILBOLZEN / VALVE PIN / BOULON DE SOUPAPE	5.584-026.0	1
4	SCHUTZTEIL / PROTECTION PART / PARTIE PROTECTEUR	5.394-066.0	1
5	BOLZEN 3,0X 25 / BOLT / BOULON	7.316-004.0	1
6	SCHRAUBE M 6X 20 / SCREW / VIS	7.306-194.0	1
7	HEBEL / LEVER / LEVIER	5.481-029.0	1
8	SCHEIBE / WASHER / RONDELLE	5.115-158.0	1
9	SCHWIMMER / FLOAT / FLOTTEUR	5.585-004.0	1
10	SCHEIBE 6 / WASHER / RONDELLE	7.312-279.0	1
11	6KT-MUTTER M 6 / HEXAGON NUT / ECROU HEXAGONAL	7.311-422.0	1
12	SCHLAUCHSCHELLE / HOSE BAND CLIP / COLLIER DE SERRAGE	6.388-547.0	3
13	SCHLAUCH DN16 / HOSE / TUYAU FLEXIBLE	6.388-719.0	1
	ALS METERWARE BESTELLEN/TO ORDER AS CUT GOODS/COMMANDE COMME MARCHANDISE AU METRE		
14	SCHRAUBE 6,0X20 / SCREW / VIS	6.303-174.0	1
15	KNOTENSTUECK / MANIFOLD / FERRURE NODALE	5.427-154.0	1
16	SIEB / STRAINER / CREPINE	6.414-141.0	1
17	O-RING 13,3 X 2,4 / GASKET / BAQUE D'ETANCHEITE	6.362-078.0	1
18	SCHLAUCHNIPPEL / HOSE STEM / RACCORD DE FLEXIBLE	5.443-291.0	1
19	MUTTER / NUT / ECROU	5.310-076.0	1
20	BEHAELTER / TANK / BAC	5.070-036.0	1
21	SPLINT 4,0X 50 / COTTER / GOUPILLE FENDUE	7.316-432.0	1
23	WINKELTUELLE 1/2" / ANGLE SOCKET / COUDE	6.388-405.0	1
24	DICHTRING 21X30X2 / JOINT RING / BAGUE D'ETANCHEITE	6.362-015.0	1
25	6KT-MUTTER G 1/2" / HEXAGON NUT / ECROU HEXAGONAL	6.310-004.0	1

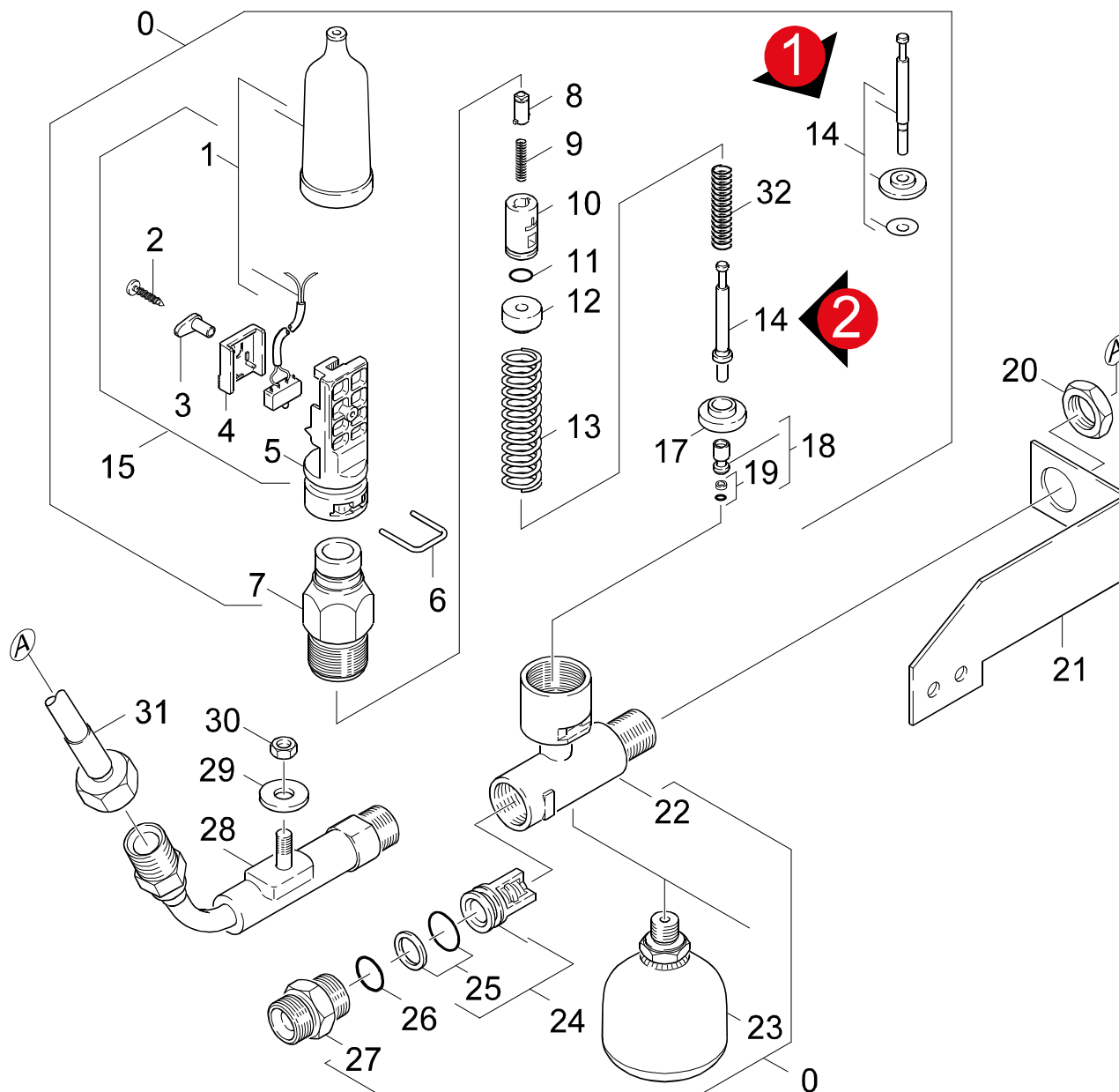
"=> xxxxxx" = bis Werknummer / up to serial No. / jusqu' au No. de fabr. / "xxxxxx =>" = ab Werknummer / from serial No. / a partir du No. de fabr. /

GRUPPE: 7.0 SICHERHEITSBLOCK
GROUP: 7.0 SAFETY SYSTEM
GRUPPE: 7.0 BLOC DE SECURITE

A7

HDS 801 E

GRUPPE: 7.0 SICHERHEITSBLOCK
GROUP: 7.0 SAFETY SYSTEM
GRUPPE: 7.0 BLOC DE SECURITE



Symbolbeschreibung siehe M16 / symbol description see M16 / désignation de système voir M16 /

GRUPPE: 7.0 SICHERHEITSBLOCK
GROUP: 7.0 SAFETY SYSTEM
GROUPE: 7.0 BLOC DE SECURITE

C7

HDS 801 E

POS. ITM. POS.	BENNENUNG DESCRIPTION DESIGNATION	TEILE-NR. PART-NO. NO.PIECE	STCK QTY. NBR.
0	SICHERHEITSBLOCK / SAFETY SYSTEM / BLOC DE SECURITE	4.749-127.0	1
1	MIKROSCHALTER / MICRO SWITCH / MICRORUPTEUR	6.631-776.0	1
2	SCHRAUBE 4 X 20 / SCREW / VIS	7.303-117.0	1
3	BOLZEN / BOLT / BOULON	5.316-284.0	1
4	HALTER / BRACKET / FIXATION	5.042-728.0	1
5	HALTER / BRACKET / FIXATION	5.042-618.0	1
6	HAKEN / HOOK / PATERE	5.037-080.0	1
7	GEHAEUSE / HOUSING / BOITIER	5.060-414.0	1
8	BOLZEN - FEDER / BOLT / BOULON	5.316-278.0	1
9	SCHRAUBENFEDER / HELICAL SPRING / RESSORT CYLINDRIQUE	5.332-293.0	1
10	KOLBEN / PISTON / PISTON	5.553-265.0	1
11	O-RING 12,0 X 2,0 / GASKET / BAQUE D'ETANCHEITE	6.362-169.0	1
12	BUCHSE / BUSH / DOUILLE	5.112-424.0	1
13	SCHRAUBENFEDER / HELICAL SPRING / RESSORT CYLINDRIQUE	5.332-069.0	1
14	STANGE / BAR / TIGE	5.107-192.0	1
15	SCHALTER SI-BLOCK / SWITCH / INTERRUPTEUR	4.744-091.0	1
17	SCHEIBE / WASHER / RONDELLE	5.115-147.0	1
18	KOLBEN / PISTON / PISTON	4.553-025.0	1
19	O-RING KPL./1ST.-R. / GASKET / BAQUE D'ETANCHEITE	6.362-368.0	1
20	6KT-MUTTER M22X1,5 / HEXAGON NUT / ECROU HEXAGONAL	7.311-155.0	1
21	WINKEL / ANGLE / ANGLE	5.019-818.0	1
22	GEHAEUSE / HOUSING / BOITIER	5.060-487.0	1
23	DRUCKSPEICHER / PULSATION DAMPER / ANTI-BELIER	6.505-025.0	1
24	VENTIL KPL. NATUR / VALVE / SOUPAPE	4.580-140.0	1
25	O-RING KPL./1ST.-R. / GASKET / BAQUE D'ETANCHEITE	6.362-517.0	1
26	O-RING 17,0 X 1,5 / GASKET / BAQUE D'ETANCHEITE	6.362-524.0	1
27	DOPPELNIPPEL / DOUBLE NIPPLE / NIPPLE DOUBLE	5.409-111.0	1
28	ROHRLEITUNG / PIPELINES / CONDUITE	4.421-245.0	1
29	SCHEIBE 10 / WASHER / RONDELLE	7.312-262.0	1
30	6KT-MUTTER M10 / HEXAGON NUT / ECROU HEXAGONAL	7.311-511.0	1
31	HD-SCHLAUCH DN 8 / HIGH PRESSURE HOSE / TUYAU FLEXIBLE HAUTE PRE.	6.389-424.0	1
32	SCHRAUBENFEDER / HELICAL SPRING / RESSORT CYLINDRIQUE	5.332-070.0	1

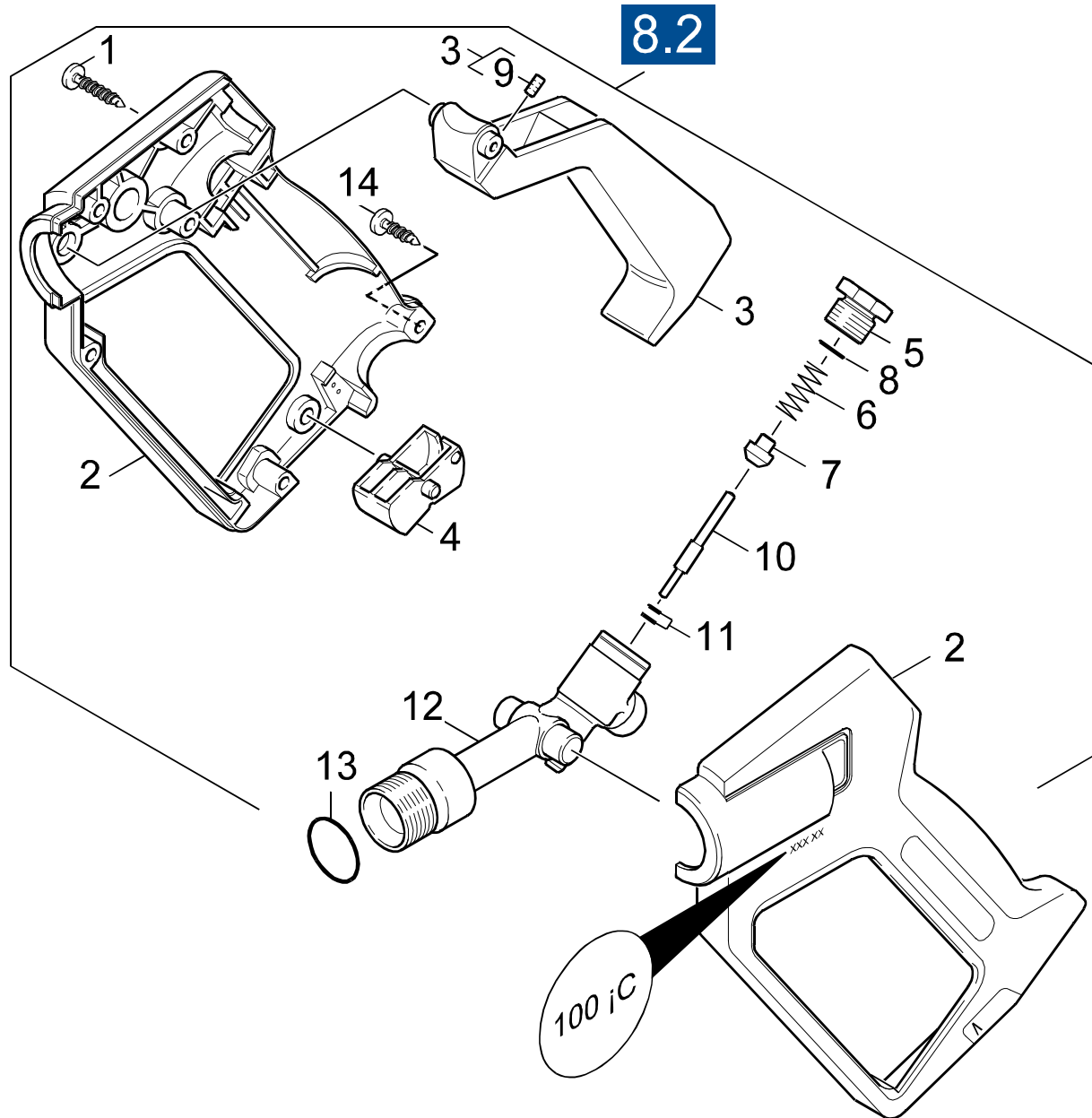
"=> xxxxxx" = bis Werknummer / up to serial No. / jusqu' au No. de fabr. / "xxxxxx =>" = ab Werknummer / from serial No. / a partir du No. de fabr. /

GRUPPE: 8.0 ZUBEHOER
GROUP: 8.0 ACCESSORIES
GRUPPE: 8.0 ACCESSOIRES

A8

HDS 801 E

GRUPPE: 8.0 ZUBEHOER
GROUP: 8.0 ACCESSORIES
GRUPPE: 8.0 ACCESSOIRES



Symbolbeschreibung siehe M16 / symbol description see M16 / désignation de système voir M16 /

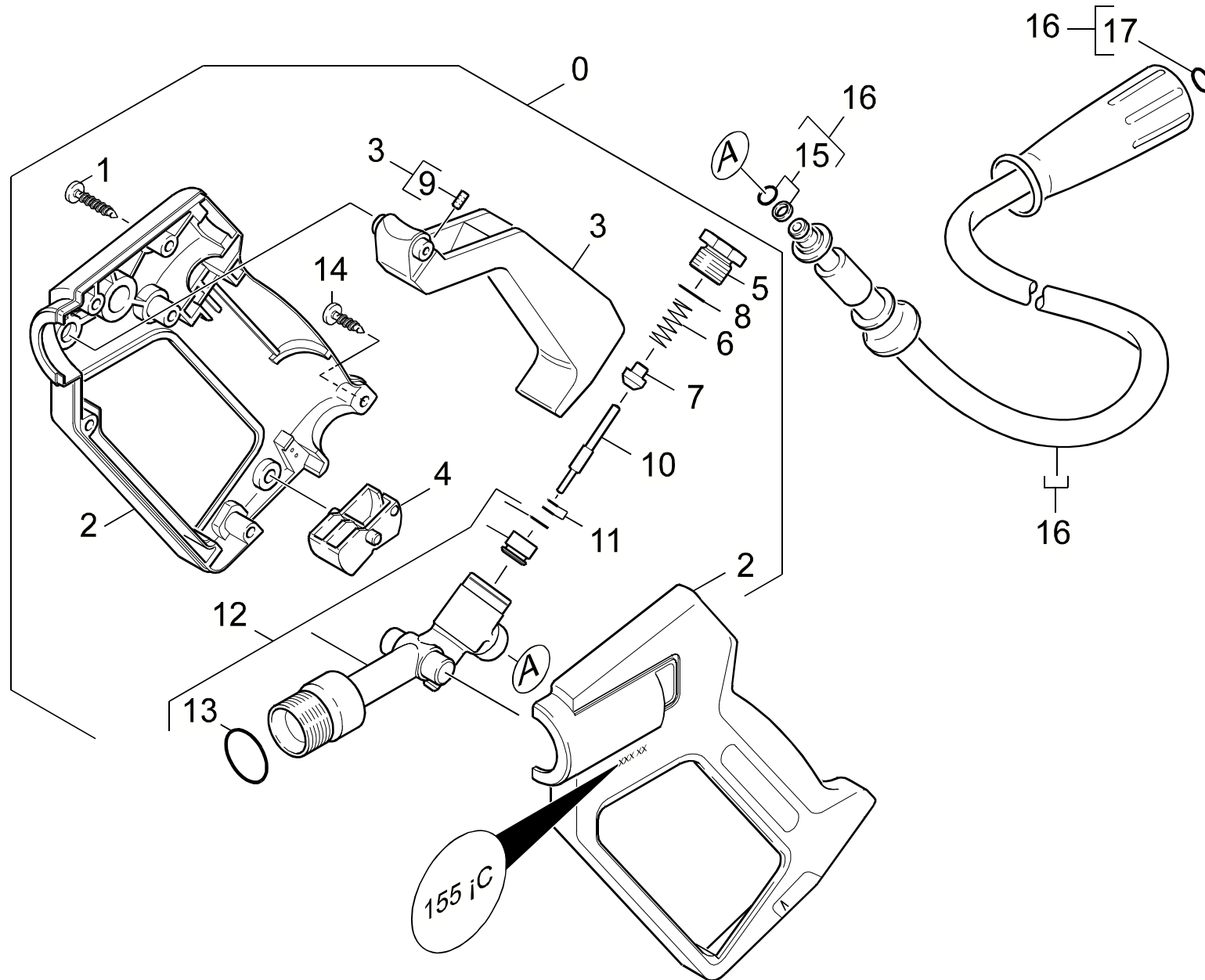
GRUPPE: 8.1 HANDSPRITZPISTOLE / VERSION 1 /
GROUP: 8.1 TRIGGER GUN / VERSION 1 /
GROUPE: 8.1 POIGNEE PISTOLET / VERSION 1 /

C8

HDS 801 E

POS. ITM. POS.	BENNENUNG DESCRIPTION DESIGNATION	TEILE-NR. PART-NO. NO.PIECE	STCK QTY. NBR.
1	LINSENSCHR. 4,2X22 / OVAL HEAD SCREW / VIS A TETE BOMBEE	6.303-024.0	6
2	GRIFFPAAR / HANDLES / BRANCHES POIGNEE	5.321-206.0	1
3	HEBEL / LEVER / LEVIER	4.481-050.0	1
4	HEBEL / LEVER / LEVIER	5.481-052.0	1
5	VERSCHLUSSCHRAUBE / CLOSING SCREW / VIS DE FERMETURE	5.411-067.0	1
6	SCHRAUBENFEDER / HELICAL SPRING / RESSORT CYLINDRIQUE	5.332-157.0	1
7	VENTILTELLER / VALVE DISC / TETE DE SOUPAPE	5.582-058.0	1
8	O-RING 12,42X 1,78 / GASKET / BAQUE D'ETANCHEITE	6.362-480.0	1
9	GEW.STIFT M 8X 16 / THREADED PIN / VIS SANS TETE	7.307-417.0	1
10	STANGE / BAR / TIGE	5.107-259.0	1
11	O-RING KPL./1ST.-R. / GASKET / BAQUE D'ETANCHEITE	6.362-571.0	1
12	KNOTENSTUECK / MANIFOLD / FERRURE NODALE	5.427-115.0	1
13	O-RING 17,12X 2,62 / GASKET / BAQUE D'ETANCHEITE	6.362-496.0	1
14	LINSENSCHR. 4,2X16 / OVAL HEAD SCREW / VIS A TETE BOMBEE	6.303-025.0	1
100	ERSATZTEILSET / SPARE PARTS KIT / KIT DE PIECES	2.883-191.0	1

"=> xxxxxx" = bis Werknummer / up to serial No. / jusqu' au No. de fabr. / "xxxxxx =>" = ab Werknummer / from serial No. / a partir du No. de fabr. /



Symbolbeschreibung siehe M16 / symbol description see M16 / désignation de système voir M16 /

GRUPPE: 8.2 HANDSPRITZPISTOLE / VERSION 2 /
GROUP: 8.2 TRIGGER GUN / VERSION 2 /
GROUPE: 8.2 POIGNEE PISTOLET / VERSION 2 /

E8

HDS 801 E

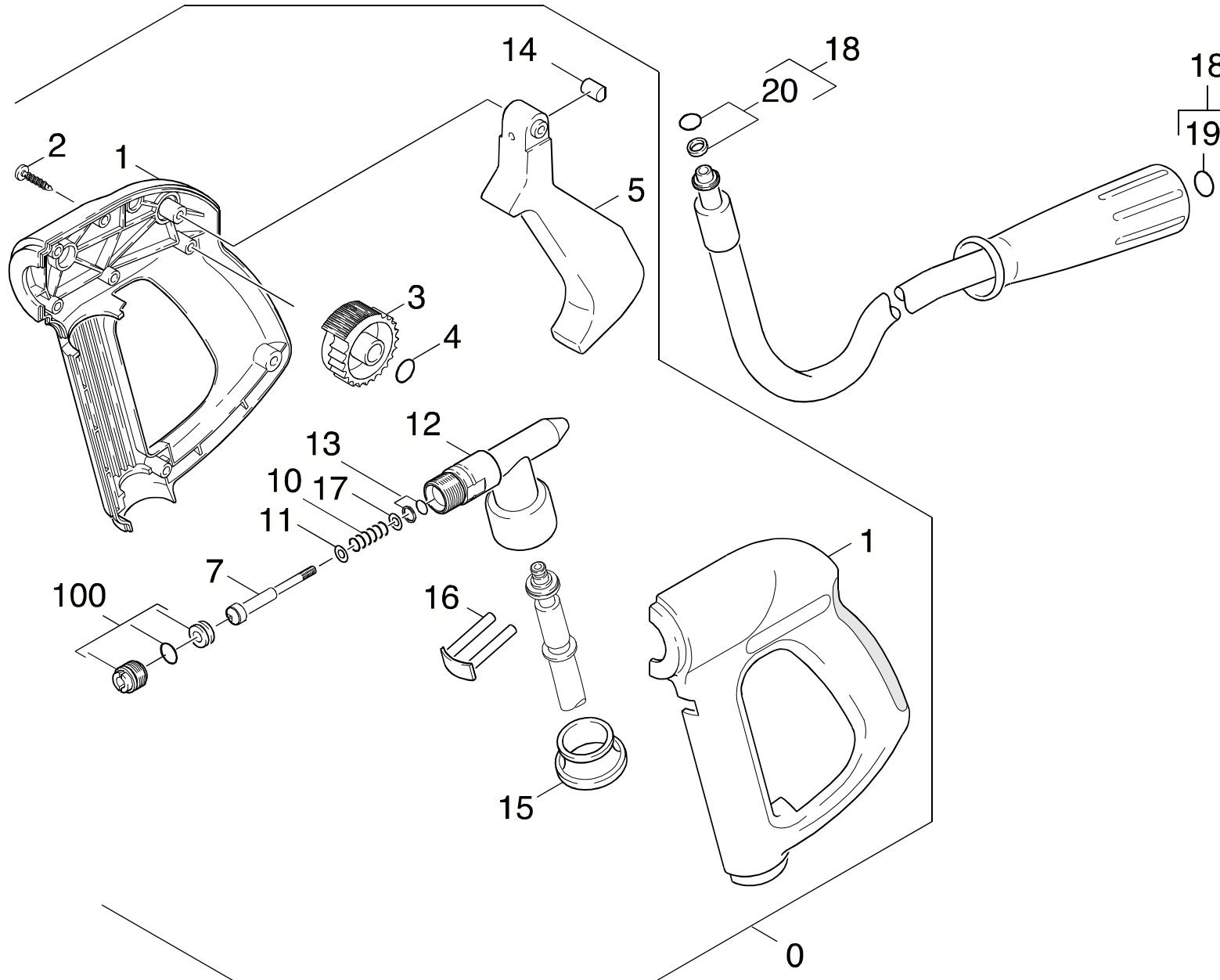
POS. ITM. POS.	BENNENUNG DESCRIPTION DESIGNATION	TEILE-NR. PART-NO. NO.PIECE	STCK QTY. NBR.
0	HANDSPRITZPISTOLE / TRIGGER GUN / POIGNEE PISTOLET	4.775-080.0	1
1	LINSENSCHR. 4,2X22 / OVAL HEAD SCREW / VIS A TETE BOMBEE	6.303-024.0	6
2	GRIFFPAAR / HANDLES / BRANCHES POIGNEE	5.321-230.0	1
3	HEBEL / LEVER / LEVIER	4.481-050.0	1
4	HEBEL / LEVER / LEVIER	5.481-052.0	1
5	VERSCHLUSSCHRAUBE / CLOSING SCREW / VIS DE FERMETURE	5.411-067.0	1
6	SCHRAUBENFEDER / HELICAL SPRING / RESSORT CYLINDRIQUE	5.332-157.0	1
7	VENTILTeller / VALVE DISC / TETE DE SOUPAPE	5.582-084.0	1
8	O-RING 12,42X 1,78 / GASKET / BAQUE D'ETANCHEITE	6.362-584.0	1
9	GEW.STIFT M 8X 16 / THREADED PIN / VIS SANS TETE	7.307-417.0	1
10	STANGE / BAR / TIGE	5.107-097.0	1
11	O-RING KPL./1ST.-R. / GASKET / BAQUE D'ETANCHEITE	6.362-571.0	1
12	KNOTENSTUECK / MANIFOLD / FERRURE NODALE	4.427-131.0	1
13	O-RING 17,12X 2,62 / GASKET / BAQUE D'ETANCHEITE	6.362-496.0	1
14	LINSENSCHR. 4,2X16 / OVAL HEAD SCREW / VIS A TETE BOMBEE	6.303-025.0	1
15	O-RING KPL./1ST.-R. / GASKET / BAQUE D'ETANCHEITE	6.363-115.0	1
16	HD-SCHLAUCH DN6 / HIGH PRESSURE HOSE / TUYAU FLEXIBLE HAUTE PRE.	6.389-853.0	1
17	ERSATZTEILSET / SPARE PARTS KIT / KIT DE PIECES	2.880-296.0	1
100	ERSATZTEILSET / SPARE PARTS KIT / KIT DE PIECES	2.883-192.0	1

"=> xxxxxx" = bis Werknummer / up to serial No. / jusqu' au No. de fabr. / "xxxxxx =>" = ab Werknummer / from serial No. / a partir du No. de fabr. /

GRUPPE: 8.3 HANDSPRITZPISTOLE / VERSION 3 /
GROUP: 8.3 TRIGGER GUN / VERSION 3 /
GRUPPE: 8.3 POIGNEE PISTOLET / VERSION 3 /

F8

HDS 801 E



Symbolbeschreibung siehe M16 / symbol description see M16 / désignation de système voir M16 /

GRUPPE: 8.3 HANDSPRITZPISTOLE / VERSION 3 /
GROUP: 8.3 TRIGGER GUN / VERSION 3 /
GROUPE: 8.3 POIGNEE PISTOLET / VERSION 3 /

G8

HDS 801 E

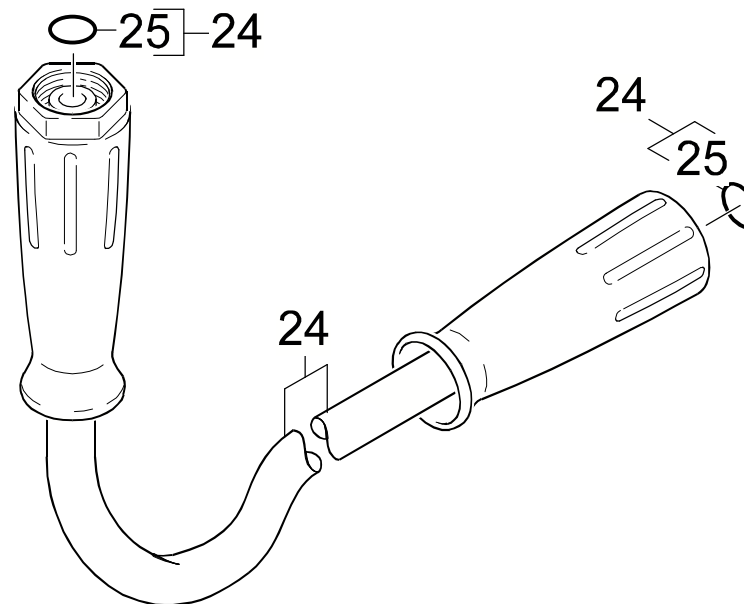
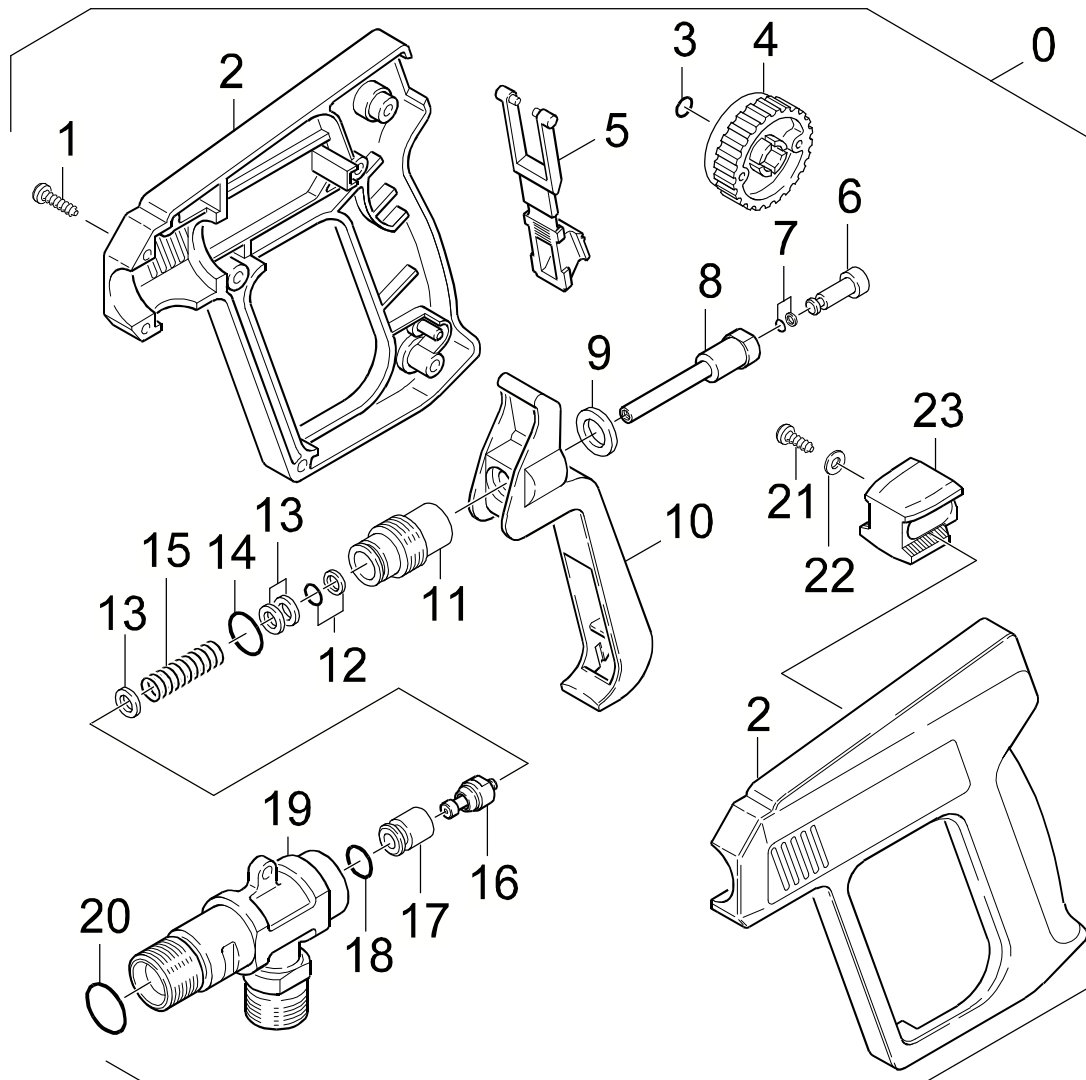
POS. ITM. POS.	BENNENUNG DESCRIPTION DESIGNATION	TEILE-NR. PART-NO. NO.PIECE	STCK QTY. NBR.
0	HANDSPRITZPISTOLE / TRIGGER GUN / POIGNEE PISTOLET	4.775-270.0	1
1	GRIFFPAAAR / HANDLES / BRANCHES POIGNEE	5.321-494.0	1
2	LINSENSCHR. 4,2X22 / OVAL HEAD SCREW / VIS A TETE BOMBEE	6.303-024.0	8
3	HANDRAD / HAND WHEEL / VOLANT	5.322-011.0	1
4	O-RING 7,65X 1,78 / GASKET / BAQUE D'ETANCHEITE	6.362-642.0	1
5	HEBEL / LEVER / LEVIER	5.481-178.0	1
7	KOLBEN / PISTON / PISTON	5.553-347.0	1
10	SCHRAUBENFEDER / HELICAL SPRING / RESSORT CYLINDRIQUE	5.332-384.0	1
11	SCHEIBE / WASHER / RONDELLE	5.115-675.0	1
12	KNOTENSTUECK / MANIFOLD / FERRURE NODALE	5.427-210.0	1
13	O-RING KPL./1ST.-R. / GASKET / BAQUE D'ETANCHEITE	6.362-477.0	1
14	BOLZEN / BOLT / BOULON	5.316-400.0	1
15	HUELSE / SLEEVE / DOUILLE	5.110-596.0	1
16	HAKEN / HOOK / PATERE	4.037-013.0	1
17	SCHEIBE / WASHER / RONDELLE	5.115-661.0	1
18	HD-SCHLAUCH DN6 / HIGH PRESSURE HOSE / TUYAU FLEXIBLE HAUTE PRE.	6.389-853.0	1
19	ERSATZTEILSET / SPARE PARTS KIT / KIT DE PIECES	2.880-296.0	1
20	O-RING KPL./1ST.-R. / GASKET / BAQUE D'ETANCHEITE	6.363-115.0	1
100	ET-SET / SPARE PARTS SET / JEU DE PIECES DECHANGE	2.883-903.0	1

"=> xxxxxx" = bis Werknummer / up to serial No. / jusqu' au No. de fabr. / "xxxxxx =>" = ab Werknummer / from serial No. / a partir du No. de fabr. /

GRUPPE: 8.4 HANDSPRITZPISTOLE / VERSION 4 /
GROUP: 8.4 TRIGGER GUN / VERSION 4 /
GRUPPE: 8.4 POIGNEE PISTOLET / VERSION 4 /

H8

HDS 801 E



Symbolbeschreibung siehe M16 / symbol description see M16 / désignation de système voir M16 /

GRUPPE: 8.4 HANDSPRITZPISTOLE / VERSION 4 /
 GROUP: 8.4 TRIGGER GUN / VERSION 4 /
 GROUPE: 8.4 POIGNEE PISTOLET / VERSION 4 /

18

HDS 801 E

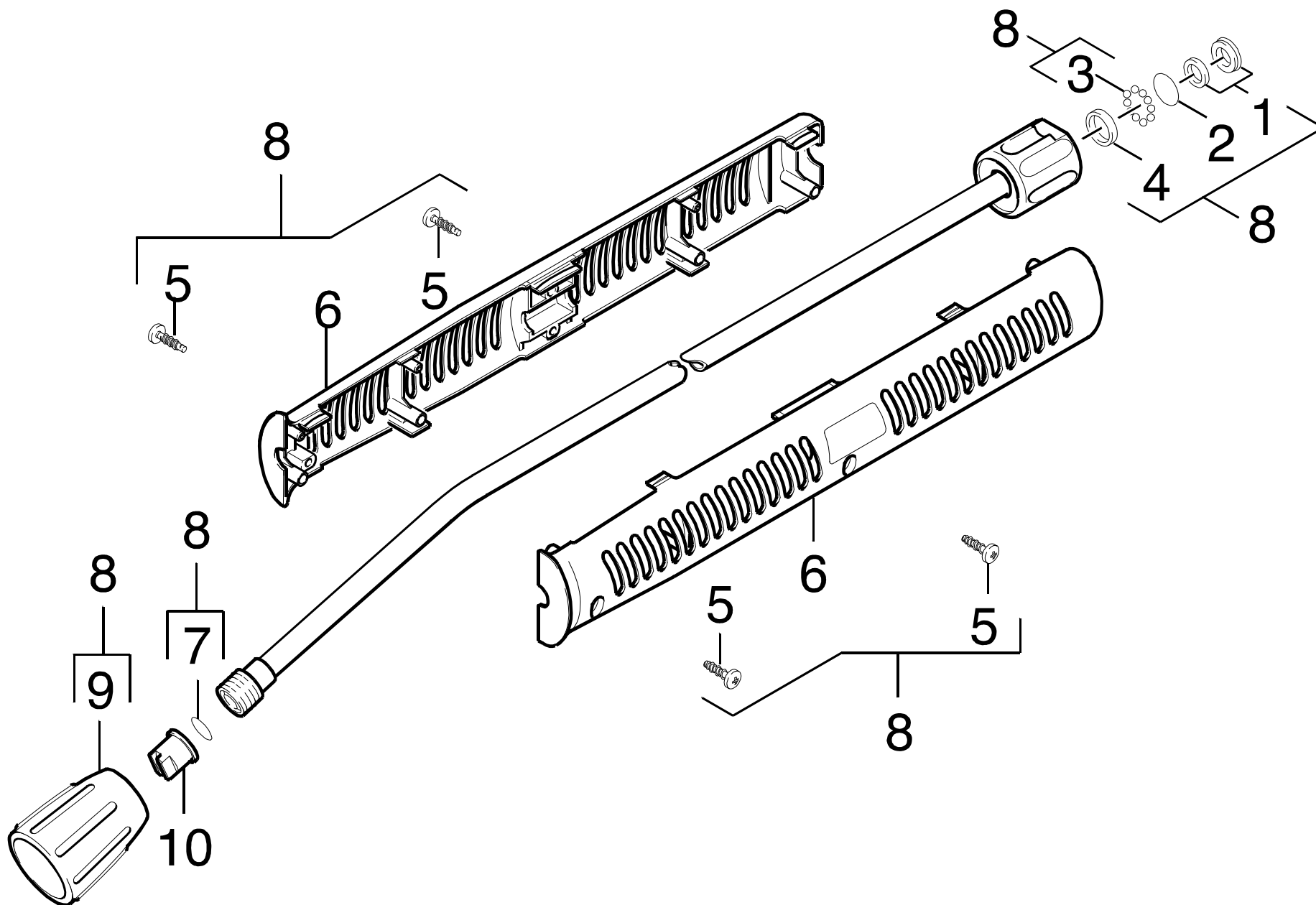
POS. ITM. POS.	BENNENUNG DESCRIPTION DESIGNATION	TEILE-NR. PART-NO. NO.PIECE	STCK QTY. NBR.
0	HANDSPRITZPISTOLE / TRIGGER GUN / POIGNEE PISTOLET	4.775-026.0	1
1	LINSENSCHR. 4,2X22 / OVAL HEAD SCREW / VIS A TETE BOMBEE	6.303-024.0	8
2	GRIFFPAAR / HANDLES / BRANCHES POIGNEE	5.321-174.0	1
3	O-RING 6,07X 1,78 / GASKET / BAQUE D'ETANCHEITE	6.362-176.0	1
4	HANDRAD / HAND WHEEL / VOLANT	5.322-006.0	1
5	FORMTEIL / MOULDED PART / PREFORME	5.030-283.0	1
6	KOLBEN / PISTON / PISTON	5.553-118.0	1
7	O-RING KPL./1ST.-R. / GASKET / BAQUE D'ETANCHEITE	6.362-477.0	1
8	STANGE / BAR / TIGE	5.107-062.0	1
9	SCHEIBE / WASHER / RONDELLE	5.115-227.0	1
10	HEBEL / LEVER / LEVIER	5.481-039.0	1
11	FORMSCHRAUBE / FORM SCREW / VIS	5.305-110.0	1
12	O-RING KPL./1ST.-R. / GASKET / BAQUE D'ETANCHEITE	6.362-468.0	1
13	SCHEIBE / WASHER / RONDELLE	5.115-260.0	3
14	O-RING 12,42X 1,78 / GASKET / BAQUE D'ETANCHEITE	6.362-478.0	1
15	SCHRAUBENFEDER / HELICAL SPRING / RESSORT CYLINDRIQUE	5.332-140.0	1
16	VENTILSITZ / VALVE SEAT / SIEGE DE SOUPAPE	4.581-049.0	1
17	HUELSE / SLEEVE / DOUILLE	5.110-348.0	1
18	O-RING 7,59X 2,62 / GASKET / BAQUE D'ETANCHEITE	6.362-479.0	1
19	KNOTENSTUECK / MANIFOLD / FERRURE NODALE	5.427-079.0	1
20	O-RING 17,12X 2,62 / GASKET / BAQUE D'ETANCHEITE	6.362-496.0	1
21	LINSENSCHR. 4,2X16 / OVAL HEAD SCREW / VIS A TETE BOMBEE	6.303-025.0	1
22	SCHEIBE 4 / WASHER / RONDELLE	7.312-001.0	1
23	FORMTEIL / MOULDED PART / PREFORME	5.030-459.0	1
24	HD-SCHLAUCH DN8 / HIGH PRESSURE HOSE / TUYAU FLEXIBLE HAUTE PRE.	6.390-010.0	1
25	ERSATZTEILSET / SPARE PARTS KIT / KIT DE PIECES	2.880-296.0	1
100	PISTOLENSET / PISTOL SET / JEU DE PISTOLET	2.883-014.0	1

"=> xxxxxx" = bis Werknummer / up to serial No. / jusqu' au No. de fabr. / "xxxxxx =>" = ab Werknummer / from serial No. / a partir du No. de fabr. /

GRUPPE: 8.5 STRAHLROHR / VERSION 1 /
GROUP: 8.5 JET PIPE / VERSION 1 /
GRUPPE: 8.5 LANCE D'INCENDIE / VERSION 1 /

J8

HDS 801 E



Symbolbeschreibung siehe M16 / symbol description see M16 / désignation de système voir M16 /

GRUPPE: 8.5 STRAHLROHR / VERSION 1 /
GROUP: 8.5 JET PIPE / VERSION 1 /
GRUPPE: 8.5 LANCE D'INCENDIE / VERSION 1 /

K8

HDS 801 E

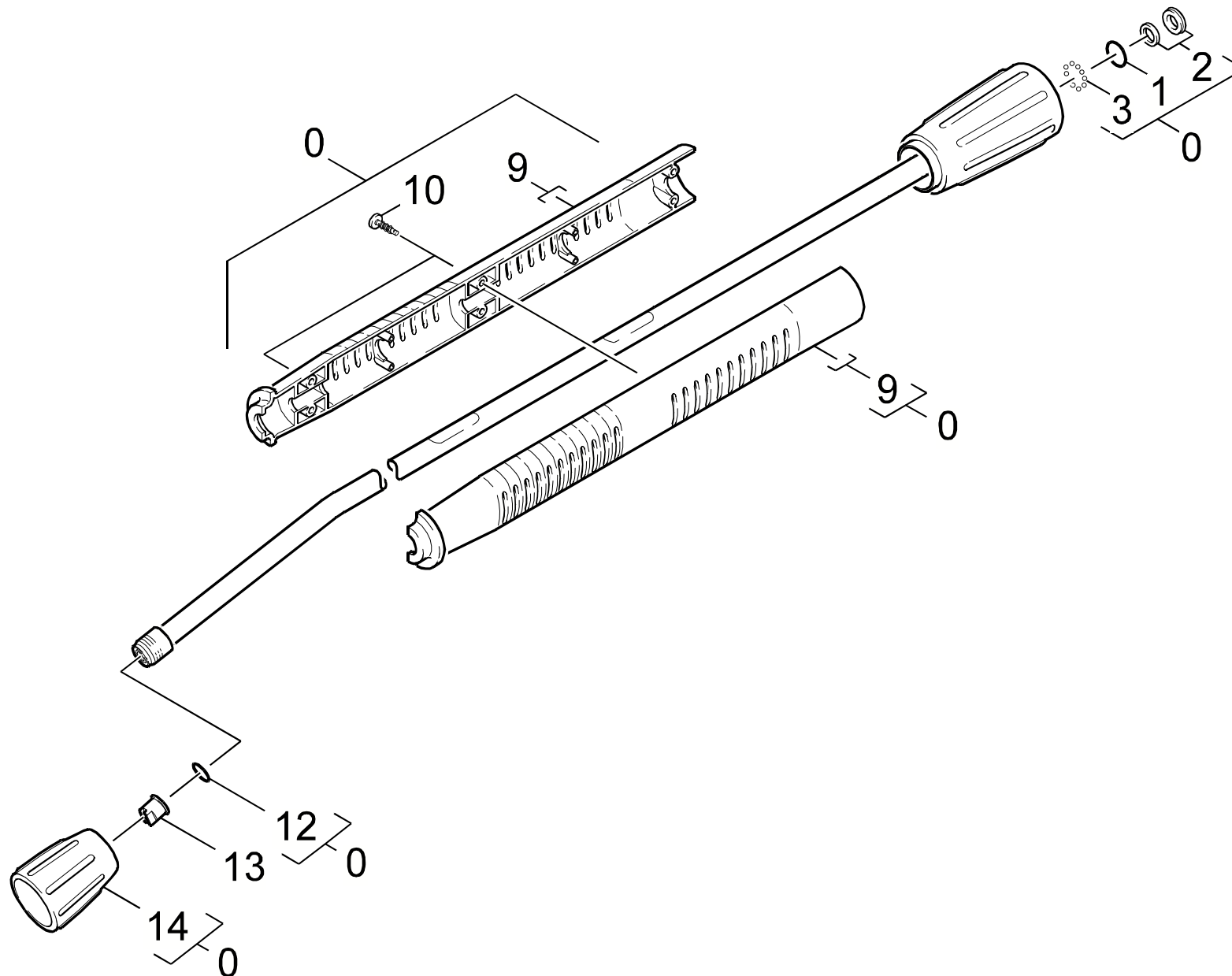
POS. ITM. POS.	BENNENUNG DESCRIPTION DESIGNATION	TEILE-NR. PART-NO. NO.PIECE	STCK QTY. NBR.
1	NUTRING KPL.1ST.R. / GROOVED RING / JOINT A LEVRES	6.362-532.0	1
2	O-RING 17,0 X 1,5 / GASKET / BAQUE D'ETANCHEITE	6.362-524.0	1
3	KUGEL 4,0 KL3 / BALL / BOULE	7.401-921.0	12
4	DICHTRING 12X1,5 / JOINT RING / BAGUE D'ETANCHEITE	6.362-529.0	1
5	LINSENSCHR. 4,2X16 / OVAL HEAD SCREW / VIS A TETE BOMBEE	6.303-025.0	4
6	GRIFF / HANDLE / POIGNEE	5.321-150.0	2
7	ERSATZTEILSET / SPARE PARTS KIT / KIT DE PIECES	2.880-296.0	1
8	STRAHLROHR KPL. / JET PIPE / LANCE D'INCENDIE	4.760-550.0	1
9	VERSCHRAUBUNGSTEIL / SCREW UNION PART / PIECE (RACCORD A VIS)	5.401-210.0	1
10	POWERDUESE 25045 / POWER NOZZLE / BUSE	2.883-398.0	1

"=> xxxxxx" = bis Werknummer / up to serial No. / jusqu' au No. de fabr. / "xxxxxx =>" = ab Werknummer / from serial No. / a partir du No. de fabr. /

GRUPPE: 8.6 STRAHLROHR / VERSION 2 /
GROUP: 8.6 JET PIPE / VERSION 2 /
GRUPPE: 8.6 LANCE D'INCENDIE / VERSION 2 /

L8

HDS 801 E



Symbolbeschreibung siehe M16 / symbol description see M16 / désignation de système voir M16 /

GRUPPE: 8.6 STRAHLROHR / VERSION 2 /
GROUP: 8.6 JET PIPE / VERSION 2 /
GRUPPE: 8.6 LANCE D'INCENDIE / VERSION 2 /

M8

HDS 801 E

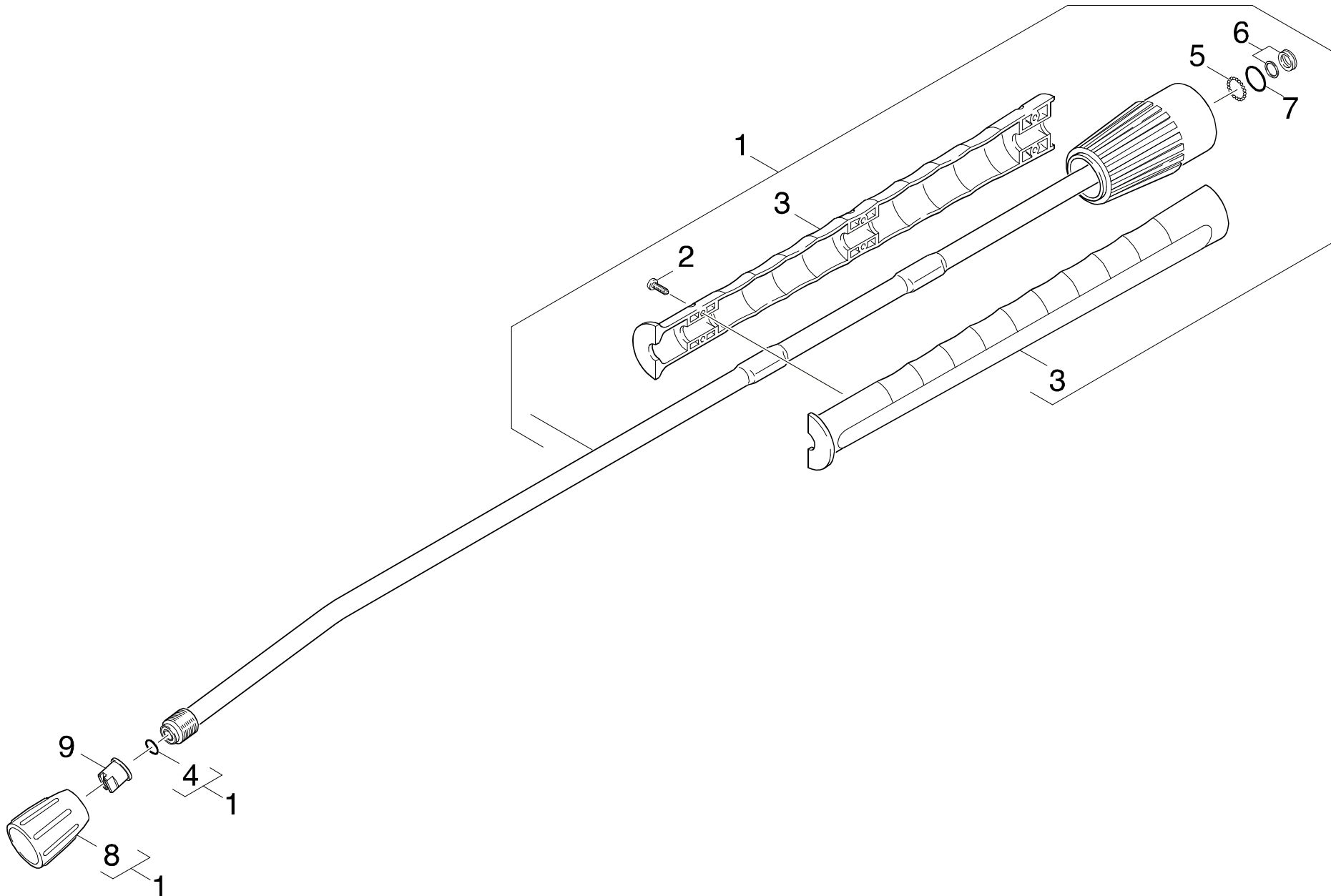
POS.	BENNENUNG	TEILE-NR.	STCK
ITM.	DESCRIPTION	PART-NO.	QTY.
POS.	DESIGNATION	NO.PIECE	NBR.
0	STRAHLROHR KPL. / JET PIPE / LANCE D'INCENDIE	4.760-550.0	1
1	O-RING 17,0 X 1,5 / GASKET / BAQUE D'ETANCHEITE	6.362-524.0	1
2	NUTRING KPL.1ST.R. / GROOVED RING / JOINT A LEVRES	6.362-532.0	1
3	KUGEL 2,5 G40 / BALL / BOULE	7.401-915.0	20
9	GRIFFPAAAR / HANDLES / BRANCHES POIGNEE	5.321-691.0	1
10	LINSENSCHR. 4,2X16 / OVAL HEAD SCREW / VIS A TETE BOMBEE	6.303-025.0	6
12	O-RINGSET / GASKET SET / JUE DE BAGUES D'ENTCHEITE	2.880-154.0	1
13	POWERDUESE 25045 / POWER NOZZLE / BUSE	2.883-398.0	1
14	VERSCHRAUBUNGSTEIL / SCREW UNION PART / PIECE (RACCORD A VIS)	5.401-210.0	1

"=> xxxxxx" = bis Werknummer / up to serial No. / jusqu' au No. de fabr. / "xxxxxx =>" = ab Werknummer / from serial No. / a partir du No. de fabr. /

GRUPPE: 8.7 STRAHLROHR / VERSION 3 /
GROUP: 8.7 JET PIPE / VERSION 3 /
GRUPPE: 8.7 LANCE D'INCENDIE / VERSION 3 /

M8

HDS 801 E



Symbolbeschreibung siehe M16 / symbol description see M16 / désignation de système voir M16 /

GRUPPE: 8.7 STRAHLROHR / VERSION 3 /
GROUP: 8.7 JET PIPE / VERSION 3 /
GROUPE: 8.7 LANCE D'INCENDIE / VERSION 3 /

M8

HDS 801 E

POS. ITM. POS.	BENNENUNG DESCRIPTION DESIGNATION	TEILE-NR. PART-NO. NO.PIECE	STCK QTY. NBR.
1	STRAHLROHR KPL. / JET PIPE / LANCE D'INCENDIE	4.760-550.0	1
2	SCHRAUBE 4 X 16 / SCREW / VIS	7.303-129.0	6
3	GRIFFPAAR / HANDLES / BRANCHES POIGNEE	5.321-691.0	1
4	ERSATZTEILSET / SPARE PARTS KIT / KIT DE PIECES	2.880-296.0	1
5	KUGEL 2,5 G40 / BALL / BOULE	7.401-915.0	20
6	NUTRING KPL.1ST.R. / GROOVED RING / JOINT A LEVRES	6.362-532.0	1
7	O-RING 17,0 X 1,5 / GASKET / BAQUE D'ETANCHEITE	6.362-524.0	1
8	VERSCHRAUBUNGSTEIL / SCREW UNION PART / PIECE (RACCORD A VIS)	5.401-210.0	1
9	POWERDUESE 25045 / POWER NOZZLE / BUSE	2.883-398.0	1

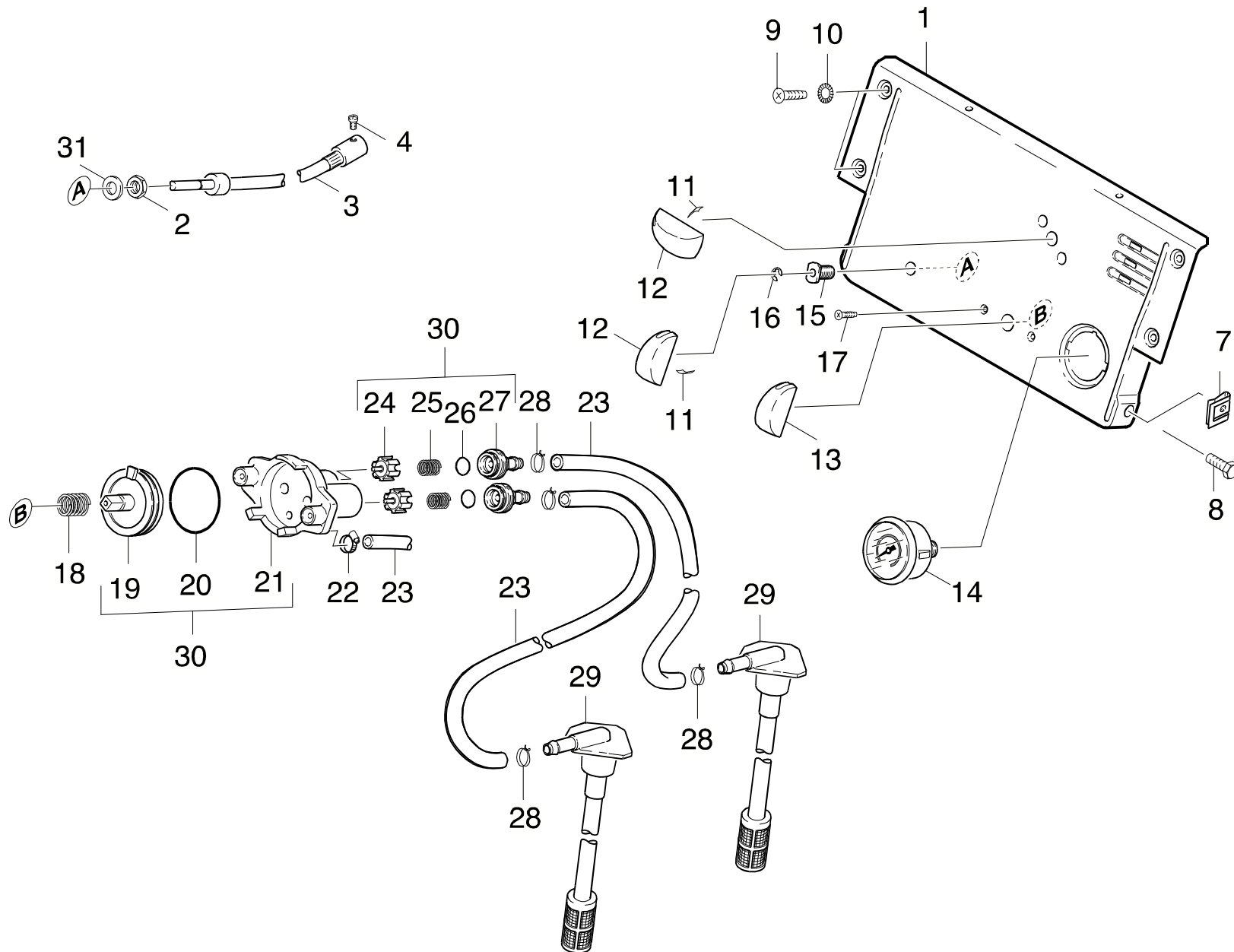
"=> xxxxxx" = bis Werknummer / up to serial No. / jusqu' au No. de fabr. / "xxxxxx =>" = ab Werknummer / from serial No. / a partir du No. de fabr. /

GRUPPE: 9.0 INSTRUMENTENTAFEL
GROUP: 9.0 CONTROL PANEL
GRUPPE: 9.0 TABLEAU DE BORD

A9

HDS 801 E

GRUPPE: 9.0 INSTRUMENTENTAFEL
GROUP: 9.0 CONTROL PANEL
GRUPPE: 9.0 TABLEAU DE BORD



Symbolbeschreibung siehe M16 / symbol description see M16 / désignation de système voir M16 /

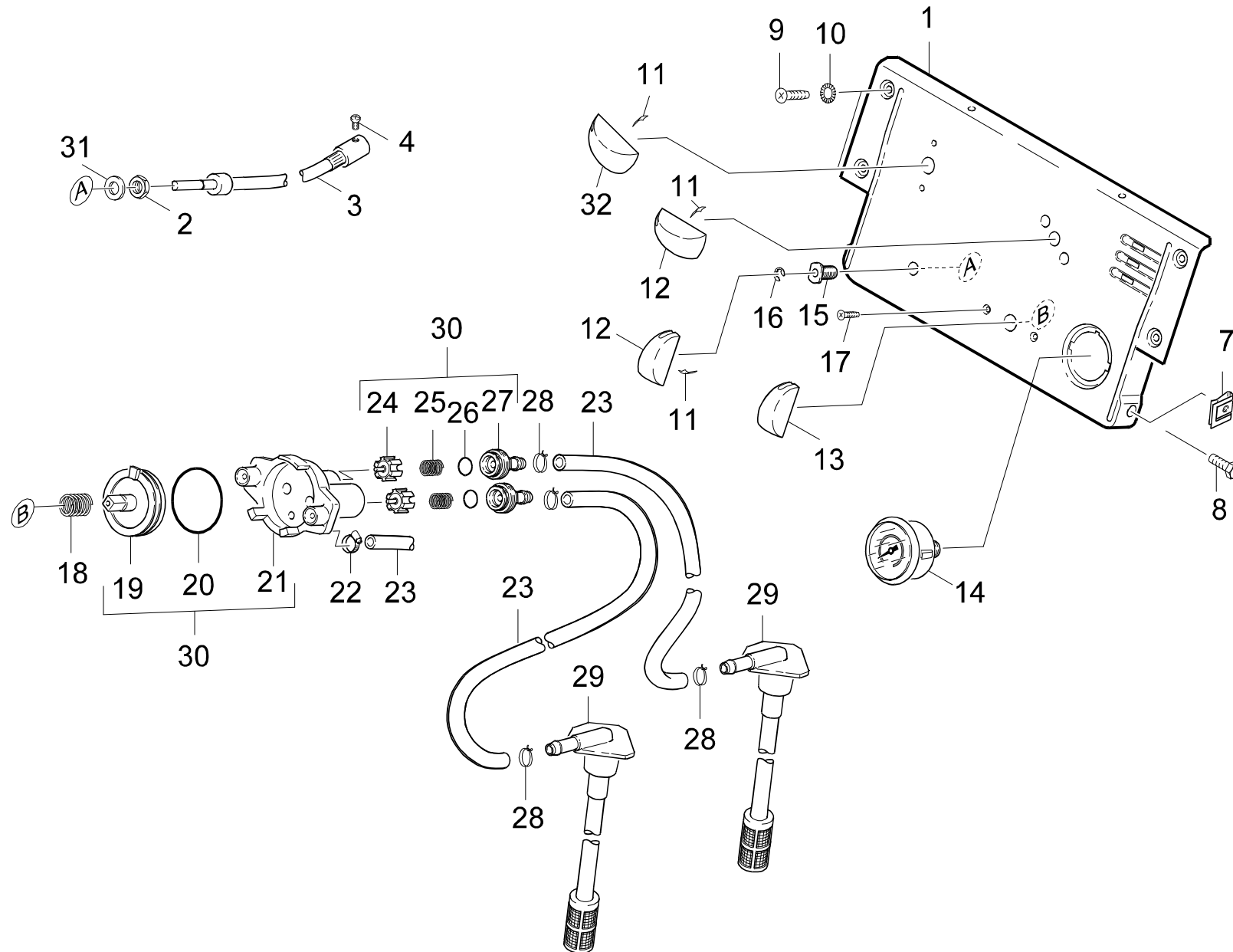
GRUPPE: 9.1 INSTRUMENTENTAFEL / VERSION 1 /
 GROUP: 9.1 CONTROL PANEL / VERSION 1 /
 GROUPE: 9.1 TABLEAU DE BORD / VERSION 1 /

C9

HDS 801 E

POS. ITM. POS.	BENNENUNG DESCRIPTION DESIGNATION	TEILE-NR. PART-NO. NO.PIECE	STCK QTY. NBR.
1	INSTRUMENTENTAFEL / CONTROL PANEL / TABLEAU DE BORD	5.841-302.0	1
2	6KT-MUTTER M10 / HEXAGON NUT / ECROU HEXAGONAL	7.311-202.0	1
3	FLEXIBLE-WELLE / FLEXIBLE SHAFT / CABLE FLEXIBLE	6.431-112.0	1
4	LINSENSCHR. M 5X 8 / OVAL HEAD SCREW / VIS A TETE BOMBEE	7.306-311.0	1
7	HUTMUTTER M 8 / CAP NUT / ECROU BORGNE	6.310-062.0	2
8	6KT-SCHR. M 6X 12 / HEXAGONAL HEAD SCREW / VIS HEXAGONAL	7.304-382.0	2
9	SCHRAUBE M 5X 12 / SCREW / VIS	7.303-038.0	4
10	ZAHNSCHEIBE A 5,3 / LOCK WASHER / ROUE PLATE	7.312-172.0	4
11	KLEMMFEDER / SPRING / RESSORT DE FRICTION	6.313-014.0	3
12	GRIFF / HANDLE / POIGNEE	5.321-378.0	3
13	GRIFF / HANDLE / POIGNEE	5.321-379.0	1
14	MANOMETER 0-315 BAR / PRESSURE GAUGE / MANOMETRE	6.421-170.0	1
15	BUCHSE / BUSH / DOUILLE	5.112-460.0	1
16	S-RING 6X0,7 / SPRING CLIP / CIRCLIP	7.343-034.0	1
17	SENKSCHR. M 4X 12 / FLAT HEADED SCREW / VIS A TETE CONIQUE	7.305-255.0	2
18	SCHRAUBENFEDER / HELICAL SPRING / RESSORT CYLINDRIQUE	5.332-028.0	1
19	VENTILSITZ / VALVE SEAT / SIEGE DE SOUPAPE	5.581-035.0	1
20	O-RING 42,0 X 2,5 / GASKET / BAQUE D'ETANCHEITE	6.362-382.0	1
21	VENTILGEHAEUSE / VALVE HOUSING / CORPS DE SOUPAPE	5.587-046.0	1
22	SCHLAUCHSCHELLE / HOSE BAND CLIP / COLLIER DE SERRAGE	6.388-515.0	1
23	SCHLAUCH DN 7 / HOSE / TUYAU FLEXIBLE	6.388-194.0	1
	ALS METERWARE BESTELLEN/TO ORDER AS CUT GOODS/COMMANDE COMME MARCHANDISE AU METRE		
24	VENTILBOLZEN / VALVE PIN / BOULON DE SOUPAPE	5.584-028.0	2
25	SCHRAUBENFEDER / HELICAL SPRING / RESSORT CYLINDRIQUE	5.332-076.0	2
26	O-RING 14,0 X 1,78 / GASKET / BAQUE D'ETANCHEITE	6.362-395.0	2
27	VENTILSTUTZEN / VALVE SOCKET / RACCORD DE SOUPAPE	5.586-014.0	2
28	SCHLAUCHSCHELLE / HOSE BAND CLIP / COLLIER DE SERRAGE	6.388-561.0	4
29	FILTER / FILTER / FILTRE	6.414-028.0	2
30	VENTIL / VALVE / SOUPAPE	4.580-075.0	1
31	SCHEIBE 10 / WASHER / RONDELLE	7.312-062.0	1

"=> xxxxxx" = bis Werknummer / up to serial No. / jusqu' au No. de fabr. / "xxxxxx =>" = ab Werknummer / from serial No. / a partir du No. de fabr. /



Symbolbeschreibung siehe M16 / symbol description see M16 / désignation de système voir M16 /

GRUPPE: 9.2 INSTRUMENTENTAFEL / VERSION 2 /
 GROUP: 9.2 CONTROL PANEL / VERSION 2 /
 GROUPE: 9.2 TABLEAU DE BORD / VERSION 2 /

E9

HDS 801 E

POS. ITM. POS.	BENNENUNG DESCRIPTION DESIGNATION	TEILE-NR. PART-NO. NO.PIECE	STCK QTY. NBR.
1	INSTRUMENTENTAFEL / CONTROL PANEL / TABLEAU DE BORD	5.841-332.0	1
2	6KT-MUTTER M10 / HEXAGON NUT / ECROU HEXAGONAL	7.311-202.0	1
3	FLEXIBLE-WELLE / FLEXIBLE SHAFT / CABLE FLEXIBLE	6.431-112.0	1
4	LINSENSCHR. M 5X 8 / OVAL HEAD SCREW / VIS A TETE BOMBEE	7.306-311.0	1
7	HUTMUTTER M 8 / CAP NUT / ECROU BORGNE	6.310-062.0	2
8	6KT-SCHR. M 6X 12 / HEXAGONAL HEAD SCREW / VIS HEXAGONAL	7.304-382.0	2
9	SCHRAUBE M 5X 12 / SCREW / VIS	7.303-038.0	4
10	ZAHNSCHEIBE A 5,3 / LOCK WASHER / ROUE PLATE	7.312-172.0	4
11	KLEMMFEDER / SPRING / RESSORT DE FRICTION	6.313-014.0	3
12	GRIFF / HANDLE / POIGNEE	5.321-378.0	2
13	GRIFF / HANDLE / POIGNEE	5.321-379.0	1
14	MANOMETER 0-315 BAR / PRESSURE GAUGE / MANOMETRE	6.421-170.0	1
15	BUCHSE / BUSH / DOUILLE	5.112-460.0	1
16	S-RING 6X0,7 / SPRING CLIP / CIRCLIP	7.343-034.0	1
17	SENKSCHR. M 4X 12 / FLAT HEADED SCREW / VIS A TETE CONIQUE	7.305-255.0	2
18	SCHRAUBENFEDER / HELICAL SPRING / RESSORT CYLINDRIQUE	5.332-028.0	1
19	VENTILSITZ / VALVE SEAT / SIEGE DE SOUPAPE	5.581-035.0	1
20	O-RING 42,0 X 2,5 / GASKET / BAQUE D'ETANCHEITE	6.362-382.0	1
21	VENTILGEHAEUSE / VALVE HOUSING / CORPS DE SOUPAPE	5.587-046.0	1
22	SCHLAUCHSCHELLE / HOSE BAND CLIP / COLLIER DE SERRAGE	6.388-515.0	1
23	SCHLAUCH DN 7 / HOSE / TUYAU FLEXIBLE	6.388-194.0	1
	ALS METERWARE BESTELLEN/TO ORDER AS CUT GOODS/COMMANDE COMME MARCHANDISE AU METRE		
24	VENTILBOLZEN / VALVE PIN / BOULON DE SOUPAPE	5.584-028.0	2
25	SCHRAUBENFEDER / HELICAL SPRING / RESSORT CYLINDRIQUE	5.332-076.0	2
26	O-RING 14,0 X 1,78 / GASKET / BAQUE D'ETANCHEITE	6.362-395.0	2
27	VENTILSTUTZEN / VALVE SOCKET / RACCORD DE SOUPAPE	5.586-014.0	2
28	SCHLAUCHSCHELLE / HOSE BAND CLIP / COLLIER DE SERRAGE	6.388-561.0	4
29	FILTER / FILTER / FILTRE	6.414-028.0	2
30	VENTIL / VALVE / SOUPAPE	4.580-075.0	1
31	SCHEIBE 10 / WASHER / RONDELLE	7.312-062.0	1
32	GRIFF / HANDLE / POIGNEE	5.321-377.0	1

"=> xxxxxx" = bis Werknummer / up to serial No. / jusqu' au No. de fabr. / "xxxxxx =>" = ab Werknummer / from serial No. / a partir du No. de fabr. /

Bestellhinweis

Bei Ihrer Bestellung sind unbedingt anzugeben :

1.	2.	3.	4.	5.
Gerätetyp Machine model Type d'appareils	Herstell-Nr. Serial-No. No. de série	Benennung Description Désignation	Teile-Nr. Part No. Référence	Stückzahl Piece No. Quantité



**siehe Typenschild
see name-plate
voir plaque signalétique**



**siehe Ersatzteilliste
see spare parts list
voir liste des pièces de rechange**

- Die Ersatzteile, welche als Meterware geliefert werden, sind auf Einbaulänge selbst zu kürzen. Ebenso sind die Stückzahlen in den jeweiligen Gruppen als Mindestbestellmengen = 1m angegeben und können je nach Bedarf auf weitere volle Meterzahlen erhöht und bestellt werden.
- Spare Parts which are delivered as cut goods have to be shortened to installation length. The quotation of quantity in each group refers to the minimum order quantity = 1m and may be ordered and raised to further full metre-values according to demand
- Les pièces de rechange qui sont livrées comme marchandise au mètre sont à raccourcir selon la longueur d'installation. Les indications de quantité dans chaque group se réfèrent à des valeurs de mètre de plus.
- Diese Ersatzteilliste erscheint in gedruckter Form sowie als Mikrofiche. Bei Querverweisen bezieht sich die Angabe "Seitenzahl" auf die gedruckte Ersatzteilliste und die Angabe "Bildtafel" auf die Mikrofilmausgabe.
- This spare parts list is published both in printed form and as a microfiche. In the cross-references, "page number" refers to the printed spare parts list and "display table" to the microfilm edition.
- Cette liste de pièces de rechange est aussi bien imprimée que publiée sous forme de microfiche. Les indications transversales renvoient au "numéro de page" sur la liste imprimée des pièces de rechange et à la "planche" sur la microfiche.

Bitte beachten Sie, daß der Teileumfang dieser Ersatzteilliste nicht unbedingt dem Lieferumfang Ihres Geräte entspricht.

For your information: It could be that certain parts quoted in this spare parts list were not included with the machine delivery.

Pour votre information: il se peut que certaines pièces détachées mentionnées sur la liste ne vous aient pas été livrées avec l'appareil.

Die in dieser Ersatzteilliste nicht aufgeführten Einzelteile, bestellen Sie bitte direkt beim Vertragskundendienst des jeweiligen Herstellers.

Please order the individual parts not included in this assembly directly with the contract aftersales service of the manufacturer in question.

Veillez s'il vous plaît, commander les pièces détachées qui ne sont indiquées dans notre liste des pièces détachées, directement auprès du service après-vente des fabricants en question.

Bei Bestellung von lackierten Teilen, welche in der Ersatzteilliste nicht in verschiedenen Farben ausgewiesen sind, ist zusätzlich die Farbnummer oder Farbe mit anzugeben. Diese finden Sie auf dem Typenschild oder Farbschild Ihres Gerätes.

Upon ordering of varnished parts which are not mentioned in the spare parts list as parts with different colors, kindly additionally mention the number of the color. It can be seen on the type plate of the color plate of your machine.

Commandant des parts vernissés qui ne sont pas mentionnés comme parts avec une couleur différente dans la liste des pièces détachées, veuillez mentionner de plus le numéro de la couleur. Il se trouve sur la plaque signalétique ou la plaque de couleur de votre machine.

Auflistungen von Einzelteilen bei Ersatzteil - u. Pumpensets sind in der Reihe "16" einzusehen, bzw. direkt unter dem entsprechenden Set aufgelistet.

Listings of single parts upon spare parts kits and pump kits can be seen in row "16" or directly listed below the corresponding kit.
Des établissements des pièces détachées en ce qui concerne les kits des pièces de rechange et les kits de pompes, peuvent être vus à la ligne "16" ou ils sont répertoriés directement au-dessous du jeu correspondant.

Technische Änderungen im Rahmen der Weiterentwicklung sowie das Recht der ausschließlichen Auswertung unseres geistigen Eigentums behalten wir uns vor. Vervielfältigung und Nachdruck nur mit Genehmigung und Urheberhinweis möglich.

We reserve the right to make technical changes in the course of development work and the right to make exclusive use of our intellectual property. This spare parts list may be duplicated or reprinted only with our approval and with acknowledgement of our copyright.

Nous nous réservons le droit de toutes modifications techniques dans le cadre du perfectionnement des mises au point ainsi que le droit de la mise en valeur exclusive de notre propriété intellectuelle. Polycopie et reproduction exclusivement après accord et avec mention de l'auteur.

INDEX

M16

HDS 801 E

GRUPPE:	1.0 EINZELTEILE	A1-G1	GRUPPE:	9.0 INSTRUMENTENTAFEL	A9-M9
GROUP:	1.0 PIECE PARTS		GROUP:	9.0 CONTROL PANEL	
GRUPPE:	1.0 PIECES CONSTITUANTES		GRUPPE:	9.0 TABLEAU DE BORD	
GRUPPE:	2.0 PUMPENSATZ	A2-G2			
GROUP:	2.0 PUMP SET				
GRUPPE:	2.0 JEU (ENSEMBLE) DE POMPE				
GRUPPE:	3.0 MOTOR	A3-E3			
GROUP:	3.0 MOTOR				
GRUPPE:	3.0 MOTEUR				
GRUPPE:	4.0 BEHAELTER	A4-E4			
GROUP:	4.0 TANK				
GRUPPE:	4.0 BAC				
GRUPPE:	5.0 E-GERAETESCHRANK	A5-K5			
GROUP:	5.0 ELECTRIC CONTROL BOX				
GRUPPE:	5.0 COFFRET ELECTRIQUE				
GRUPPE:	6.0 SCHWIMMERKASTEN	A6-C6			
GROUP:	6.0 FLOAT CHEST				
GRUPPE:	6.0 BOITE DU FLOTTEUR				
GRUPPE:	7.0 SICHERHEITSBLOCK	A7-C7			
GROUP:	7.0 SAFETY SYSTEM				
GRUPPE:	7.0 BLOC DE SECURITE				
GRUPPE:	8.0 ZUBEHOER	A8-M8			
GROUP:	8.0 ACCESSORIES				
GRUPPE:	8.0 ACCESSOIRES				



BEISPIEL: VERSION 1
EXAMPLE: VERSION 1
EXEMPLE: VERSION 1

3.0

BEISPIEL: SIEHE IN GRUPPE 3
EXAMPLE: SEE IN GROUP 3
EXEMPLE: VOIR EN GROUPE 3



WICHTIGER HINWEIS
IMPORTANT REMARK
REMARQUAGE IMPORTANT

BESTELLHINWEIS SIEHE M15
EXAMPLE ORDER SEE M15
EXEMPLE DE COMMANDE VOIR M15

VARIANTENÜBERSICHT SIEHE L16
VARIANTS SURVEY SEE L16
VUE D'ENSEMBLE DE VARIANTS VOIR L16