



KÄRCHER

Ersatzteilliste

Spare Parts List

Liste des pièces de rechange

HDS 200

1.392-111.0 380 V, 3 Ph. 50 Hz

1.392-851.0 380 V, 3 Ph. 50 Hz F

Änd. 07717

ETL 5.952-035 11/93

GHB 4.950-037/523

Ersatzteile unter www.gluesing.net

Ersatzteilliste



Spare parts list

Liste des pièces de rechange

GRUPPENÜBERSICHT/CONTENTS/GROUPES DE PIÈCES

Gruppe
group
groupe

- 1 Einzelteile und Zubehör / Parts and accessories / Pièces détachées et accessoires
- 2 Pumpensatz / Pump set / Ensemble de pompe
- 3 Gebläse / Blower / Soufflerie
- 4 Brennstoffpumpe / Fuel pump / Pompe à combustible
- 5 Leitungssystem Brennstoff / Pipe layout fuel / Plan de conduite combustible
- 6 Elektroschrank / Electric control box / Coffret électrique
- 7 Leitungssystem Wasser / Water supply system / Circuit d'eau
- 8 Durchlauferhitzer / Flow heater / Chauffe-eau rapide
- 9 Schwimmerventil / Float valve / Soupape à flotteur
- 10 Handspritzpistole und Strahlrohr / Trigger gun and lance / Pistolet et lance
- 11 Sicherheitsblock / Safety system / Bloc de securite
- 12 Handspritzpistole (SERVOPRESS) / Trigger gun (SERVOPRESS) / Poignée-pistolet (SERVOPRESS)
- 13 Strahlrohr (drehbar) / Spout (pivotable) / Canon (pivotant)
- 14
- 15

Bestellbeispiel: siehe Rückseite / Specimen order: see back page /
Exemple de commande voir verso

5.952-

Alfred Kärcher GmbH & Co. Alfred Kärcher — Str. 28 — 40 D7057 Winnenden

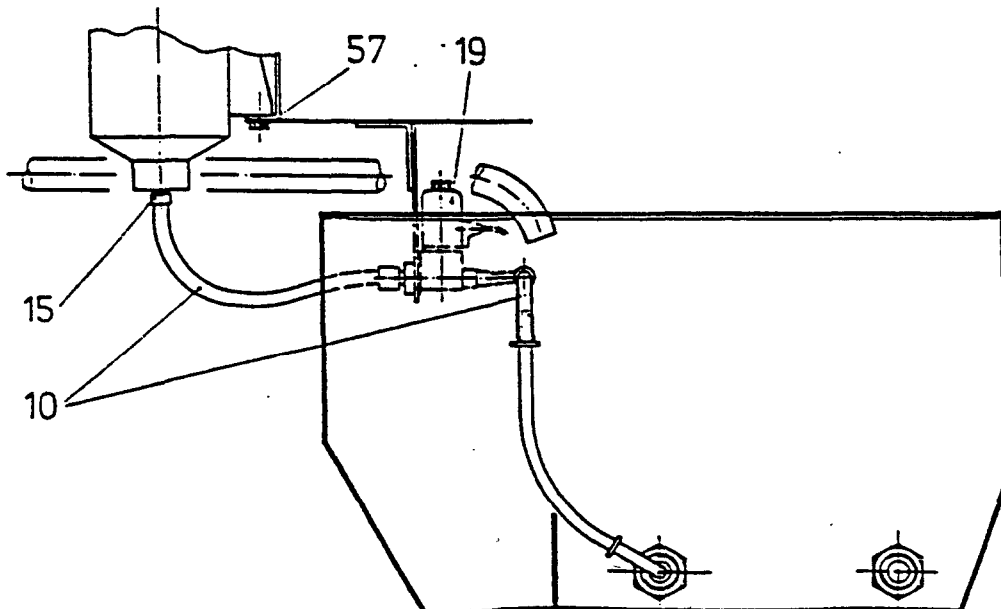
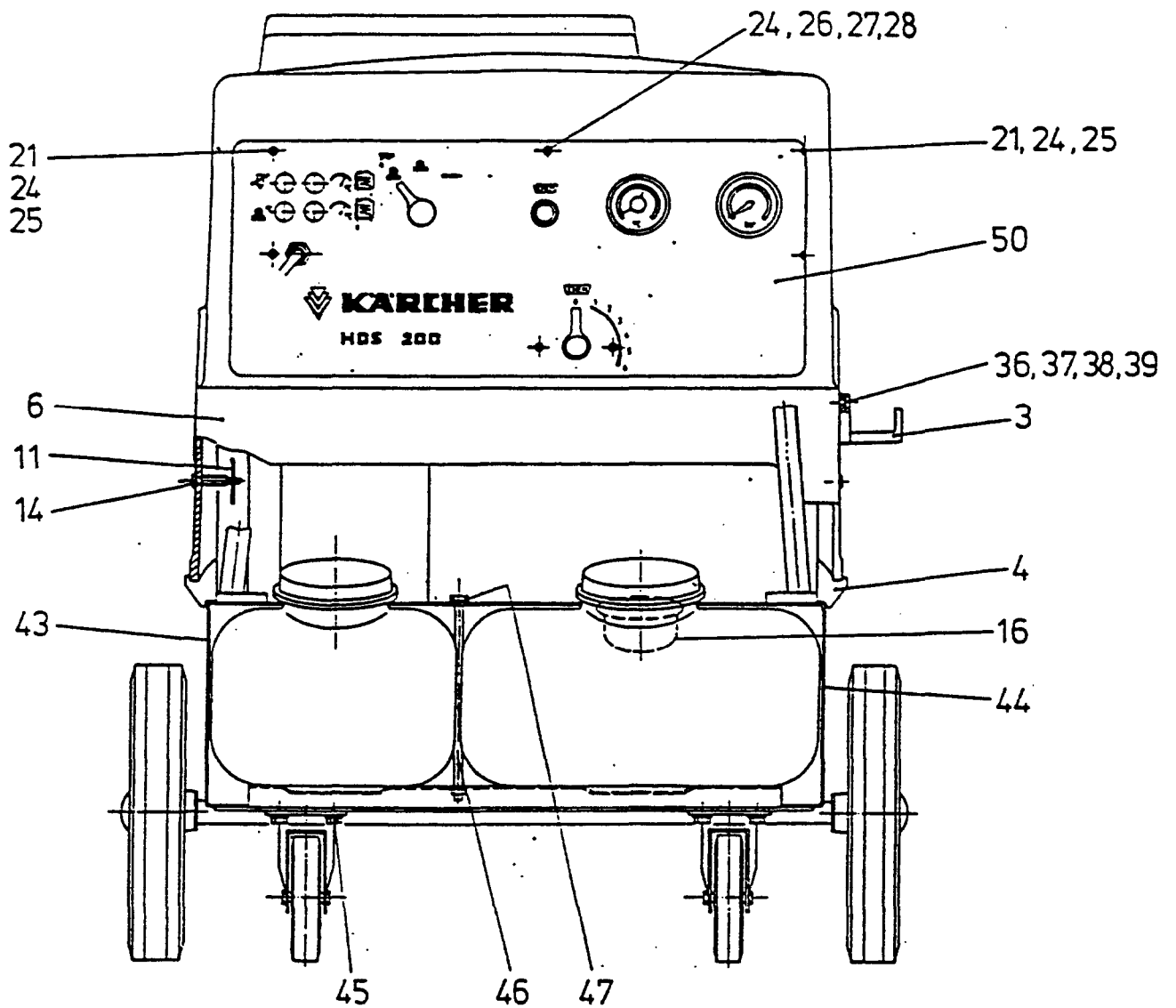
Ersatzteile unter www.gluesing.net

Bitte beachten: Diese Ersatzteilliste ist nur ein Beispiel. Wir behalten uns das Recht der aussergewöhnlichen Änderungen unserer Ersatzteilliste. Die Beschreibung der Teile kann ohne weiteres geändert werden.

F994

Gruppe: 1 Einzelteile und Zubehör
Group: 1 Parts and accessories
Groupe: 1 Pieces detachees et accessoires

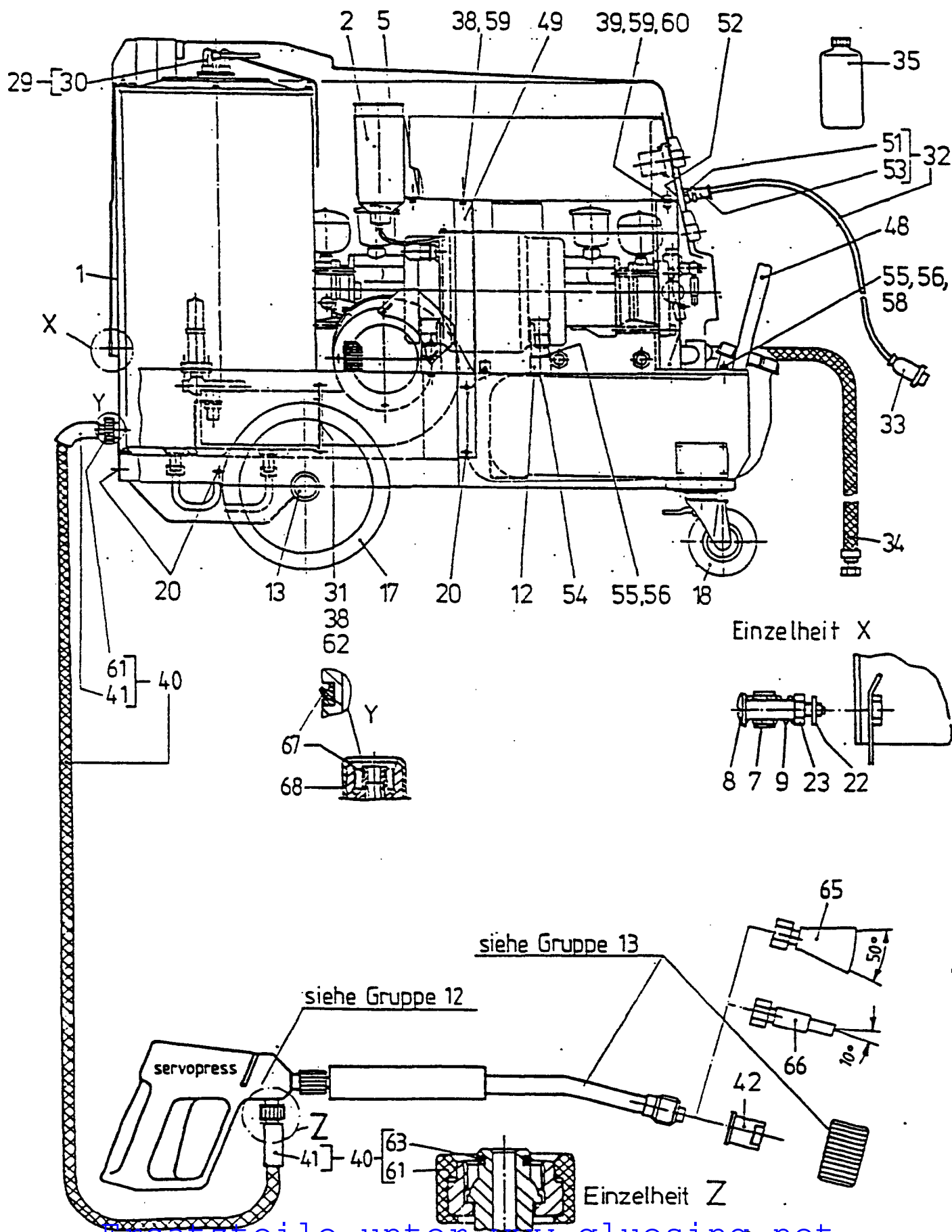
HDS 200 ER



Gruppe: 1 Einzelteile und Zubehör
 Group: 1 Parts and accessories
 Groupe: 1 Pieces detachees et accessoires

HDS 200 ER

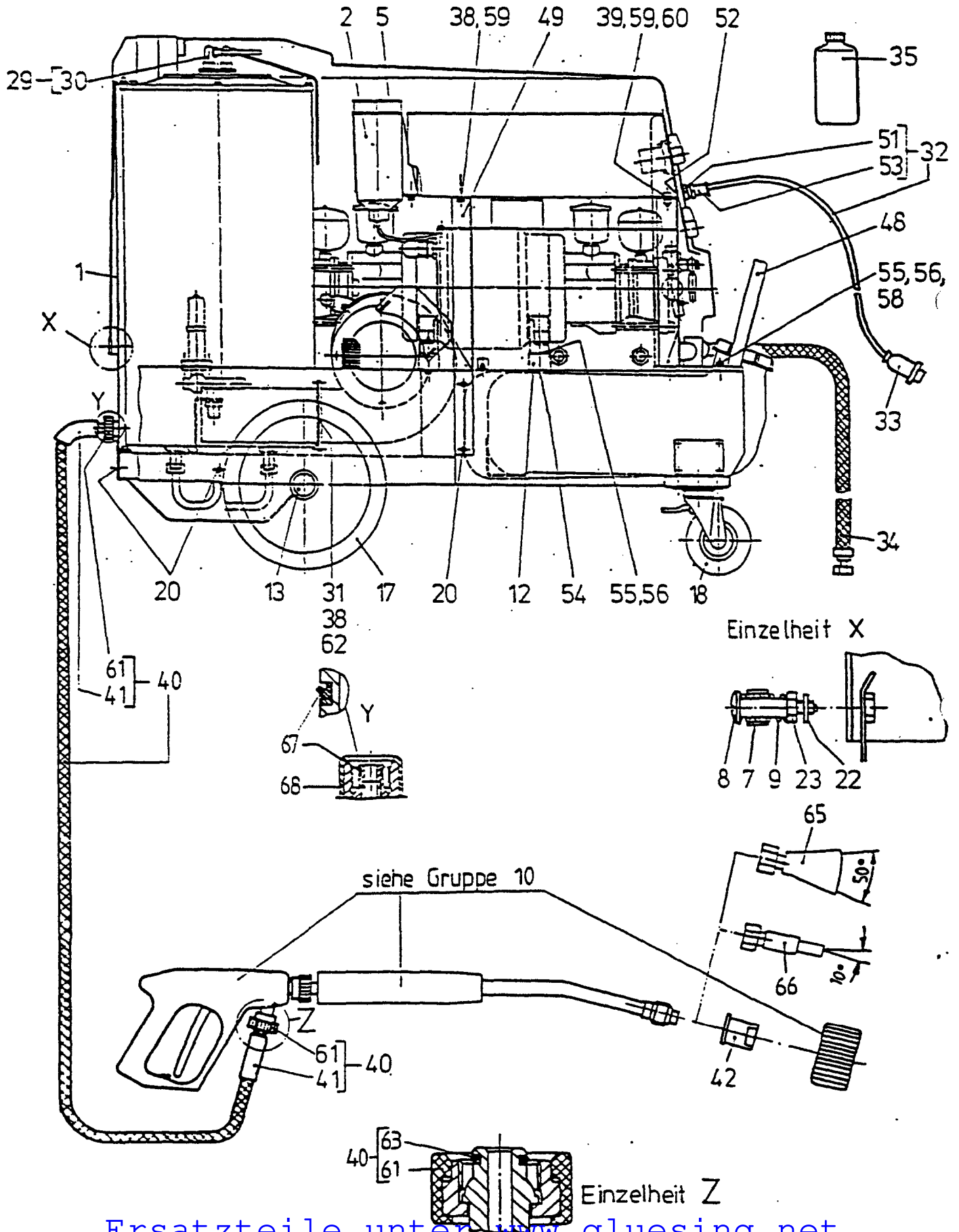
ab Werk-Nr./from serial No./à partir du N° de fabrication 10 051
 bis Werk-Nr./up to serial No./jusqu'au N° de fabrication 11 250



Gruppe: 1 Einzelteile und Zubehör
 Group: 1 Parts and accessories
 Groupe: 1 Pieces detachees et accessoires

HDS 200 ER

ab werk-Nr./from serial No./à partir du N° de fabrication 11 251



Gruppe: 1 Einzelteile und Zubehör
Group: 1 Parts and accessories
Groupe: 1 Pieces detachees et accessoires

HDS 200 ER

| Pos. | Benennung Item Description Pos. Designation | Teile-Nr. Part-No. No.piece | Stück Qty. Nbr. |
|------|--|-----------------------------------|-----------------------|
| 1 | Schutzblech/ Splasher/ Garde-Boue | 4.391-046.0 | 1 |
| 2 | Behälter/ Receptacle/ Recipient | 4.070-055.0 | 1 |
| 3 | Halter/ Support/ Appui | 5.042-141.0 | 2 |
| 4 | Halter/ Support/ Appui | 5.042-177.0 | 2 |
| 5 | Deckel/ Cover/ Couvercle | 5.063-134.0 | 1 |
| 6 | Haube/ Cap/ Capot | 5.066-112.0 | 1 |
| 7 | Buchse/ Bush/ Douille | 5.112-097.0 | 1 |
| 8 | Formschraube/ Special Screw/ Vis de Forme | 5.305-067.0 | 1 |
| 9 | Schraubenfeder/ Coil Spring/ Ressort A Boudin | 5.332-001.0 | 1 |
| 10 | Schlauchstueck/ Flexible Tube Piece/ Piece de Tuyau | 5.442-007.0 | 2 |
| 11 | Sicherungsfeder 2/ Retaining Spring/ Ressort D'arret | 6.313-002.0 | 2 |
| 12 | Gummipuffer D 40x30/ Rubber Buffer/ Butoir En Caout. | 6.339-049.0 | 4 |
| 13 | Schnellbefest. D 25/ Quick-Fastener/ Attache Rapide | 6.343-137.0 | 2 |
| 14 | Bolzen/ Pin/ Axe | 6.373-024.0 | 2 |
| 15 | Schl.schelle 9/9/ Hose Band Clip/ Collier de Serrage | 6.388-555.0 | 1 |
| 16 | Sieb/ Strainer/ Passoir | 6.414-121.0 | 1 |
| 17 | Scheibenrad D300/ Web Disk Wheel/ Roue Pleine | 6.435-040.0 | 2 |
| 18 | Lenkrolle 125 Mf/ Castor/ Roue Pivotante | 6.435-026.0 | 2 |
| 19 | Magnetventil/ Solenoid Valve/ Electrovanne | 6.685-125.0 | 1 |
| 20 | Senkschraube M5x16/ Countersunk Screw/ Vis A Tete Fraisee | 6.305-002.0 | 8 |
| 21 | Senkschraube M4x10/ Countersunk Screw/ Vis A Tete Fraisee | 6.305-001.0 | 4 |
| 22 | Sicherg-Scheibe 6/ Lock Washer/ Rondelle D'arret | 7.343-201.0 | 1 |
| 23 | 6kt-Mutter b M8/ Hexagon Nut b M8/ Ecrou Hex. b M8 | 7.311-212.0 | 1 |
| 24 | 6kt-Mutter m 4/ Hexagon Nut m 4/ Ecrou Hex. m 4 | 7.311-001.0 | 6 |

Gruppe: 1 Einzelteile und Zubehör
Group: 1 Parts and accessories
Groupe: 1 Pieces detachees et accessoires

HDS 200 ER

| Pos. | Benennung | | Teile-Nr. | Stück |
|------|----------------------|---|----------------|-------|
| Item | Description | | Part-No. | Qty. |
| Pos. | Designation | | No.piece | Nbr. |
| 25 | Federring b 4/ | Spring Washer/ Rondelle Grower | 7.313-001.0 | 4 |
| 26 | Senkschraube M4x16/ | Countersunk Screw/ Vis A Tete Fraisee | 7.305-251.0 | 1 |
| 27 | Zahnscheibe A 4,3/ | Crown Gear/ Roue Plate | 7.312-163.0 | 2 |
| 28 | Scheibe A 4,3/ | Disk/ Disque | 7.312-001.0 | 1 |
| 29 | Zuendkabel/ | Ignition Cable/ Cable Allum.hds 80s | 4.821-033.0 | 2 |
| 30 | Kerzenstecker/ | Terminal/ Anti-Parasite | 6.618-057.0 | 2 |
| 31 | Zellgummiband 9x4/ | Cell. Rubber Band/ Ruban Caout.cell. | 6.273-043.0 | 1 |
| 32 | Kabel/ | Cable/ Cable | 4.820-149.0 | 1 |
| 33 | Cekon-Stecker 32 A/ | Plug/ Fiche | 6.646-044.0 | 1 |
| 34 | Schlauch/ | Flexible Tube/ Tuyau | 4.440-007.0 | 1 |
| 35 | W-Enthaerter Rml10/ | Descaling Fluid/ Anti-Calcaire 6xl1 | 2.780-001.0 | 1 |
| 36 | Zyl.schraube m 6x20/ | Cheese-Head Screw/ Vis A Tete Cylindr. | 7.306-462.0 | 2 |
| 37 | Scheibe R6,6/ | Disk/ Disque | 7.312-260.0 | 2 |
| 38 | Federring b 6/ | Spring Washer/ Rondelle Grower | 7.313-003.0 | 10 |
| 39 | 6kt-Mutter m 6/ | Hexagon Nut m 6/ Ecrou Hex. m 6 | 7.311-003.0 | 4 |
| 40 | Hd-Schl.drehbar 10m/ | Hp-Hose/ Tuyau Souple A Hp | 6.388-760.0 * | 2 |
| 40 | Hd-Schl.drehbar 10m/ | Hp-Hose/ Tuyau Souple A Hp | 6.388-760.0 ** | 1 |
| 41 | Schutzteil/ | Protection Piece/ Piece de Protection | 5.394-058.0 | 4 |

* bis Werk-Nr. 10050/ up to serial No. 10050/ jusqu'au numero de fabriaction 10050

** ab Werk-Nr. 10051/ from serial No. 10051/ a partir du numero de fabrication 10051

Gruppe: 1 Einzelteile und Zubehör
Group: 1 Parts and accessories
Groupe: 1 Pieces detachees et accessoires

HDS 200 ER

| Pos. | Benennung Item Description Pos. Designation | Teile-Nr. Part-No. No.piece | Stück Qty. Nbr. |
|------|---|-----------------------------------|-----------------------|
| 42 | Dues.mundst.0g 10/ Orifice Land/ Nez de Buse | 6.415-082.0 | 1 |
| 42 | Dues.mundst.25g 10/ Nozzle Mouthpiece/ Nez de Buse | 6.415-252.0 | 1 |
| 42 | Dues.mundst.40g 10/ Nozzle Mouthpiece/ Buse | 6.415-253.0 | 1 |
| 42 | Dues.mundst.0g 055/ Nozzle Mouthpiece/ Nez de Buse | 6.415-314.0 | 2 |
| 42 | Dues.mundst.25g055/ Nozzle Mouthpiece/ Nez de Buse | 6.415-311.0 | 2 |
| 42 | Dues.mundst.40g 055/ Orifice Land/ Nez de Buse | 6.415-312.0 | 2 |
| 43 | Verkleidung Links/ / Tole Hds200b | 4.500-002.0 | 1 |
| 44 | Verkleidung Rechts/ Panelling (Right)/ Revetement A'droite | 4.500-003.0 | 1 |
| 45 | Schneidschr. M8x16/ Self-Tapping Screw/ Vis Autotaraudeuse | 6.303-031.0 | 8 |
| 46 | 6kt-Schraube/ Hex. Head Cap Screw/ Boulon A Six Pans | 6.304-001.0 | 1 |
| 47 | Scheibe b 8,4/ Disk/ Disque | 7.312-004.0 | 1 |
| 48 | Staender/ Support/ Support | 4.052-097.0 | 1 |
| 49 | Winkel/ Angle/ Angle | 4.021-040.0 | 1 |
| 50 | Instrumententafel/ / Tableau de Bord | 5.841-136.0*** | 1 |
| 50 | Instrumententafel/ / Tableau de Bord | 5.841-107.0** | 1 |
| 50 | Instrumententafel/ / Tableau de Bord | 5.841-100.0* | 1 |

* bis Werk-Nr.10050./ up to serial No.10050./
jusqu'au numero de fabrication N.10050

** ab Werk-Nr.10051./ from serial No.10051./
a'partir du numero de fabrication N.10051

*** ab Werk-Nr.10671./ from serial No.10671./
a partir du numero de fabrication N.10671

Gruppe: 1 Einzelteile und Zubehör
Group: 1 Parts and accessories
Groupe: 1 Pieces detachees et accessoires

HDS 200 ER

| Pos. | Benennung Item Description Pos. Designation | Teile-Nr. Part-No. No.piece | Stück Qty. Nbr. |
|------|---|-----------------------------------|-----------------------|
| 51 | Halbverschr. Pg 21/ Half-R.screw Conn./ Raccord | 6.641-372.0 | 1 |
| 52 | Gegenmutter Pg 21/ Counternut/ Contre-Ecrou | 6.641-486.0 | 1 |
| 53 | Tuelle/ Socket/ Douille | 6.641-371.0 | 1 |
| 54 | 6kt-Schraube M8x10/ Hex. Head Cap Screw/ Boulon A Six Pans | 7.304-393.0 | 4 |
| 55 | 6kt-Mutter m 8/ Hexagon Nut M8/ Ecrou Hex. M8 | 7.311-004.0 | 8 |
| 56 | Federring b 8/ Spring Washer B8/ Rondelle Grower B8 | 7.313-004.0 | 8 |
| 57 | 6kt-Schr.m6x12 Z1/ Hex. Head Cap Screw/ Boulon A Six Pans | 7.309-008.0 | 2 |
| 58 | 6kt-Schraube M8x20/ Hex. Head Cap Screw/ Boulon A Six Pans | 7.304-397.0 | 4 |
| 59 | 6kt-Schraube M6x12/ Hex. Head Cap Screw/ Boulon A Six Pans | 7.304-382.0 | 4 |
| 60 | Zahnscheibe A 6,4/ Crown Gear/ Roue Plate | 7.312-165.0 | 2 |
| 61 | Schutzteil/ Protection Part/ Piece de Protection | 5.394-050.0 | 4 |
| 62 | 6kt-Schraube M6x20/ Hex. Head Cap Screw/ Boulon A Six Pans | 7.304-385.0 | 4 |
| 63 | O-Ring-Set/ O-Ring Set/ Jeu de Joint Tor. | 2.880-154.0 | 1 |
| 64 | Et-Set Hds 200/ / Kit Complet | 2.880-248.0 | 1 |
| 65 | Dampfduese Flach/ Steam Nozzle, Flat/ Tuyere A Vap.,glatt | 4.766-024.0** | 1 |
| 65 | Dampfduese,flach2,4/ Steam Nozzle/ Buse Pourjet-Vapeur | 4.766-016.0* | 1 |

** ab Werk-Nr. 11251 ./ from serial No. 11251 ./
a'partir du numero de fabrication N. 11251

* bis Werk-Nr.10671 ./ up to serial No.10671 ./
jusqu'au numero de fabrication N.10671

Gruppe: 1 Einzelteile und Zubehör
 Group: 1 Parts and accessories
 Groupe: 1 Pieces detachees et accessoires

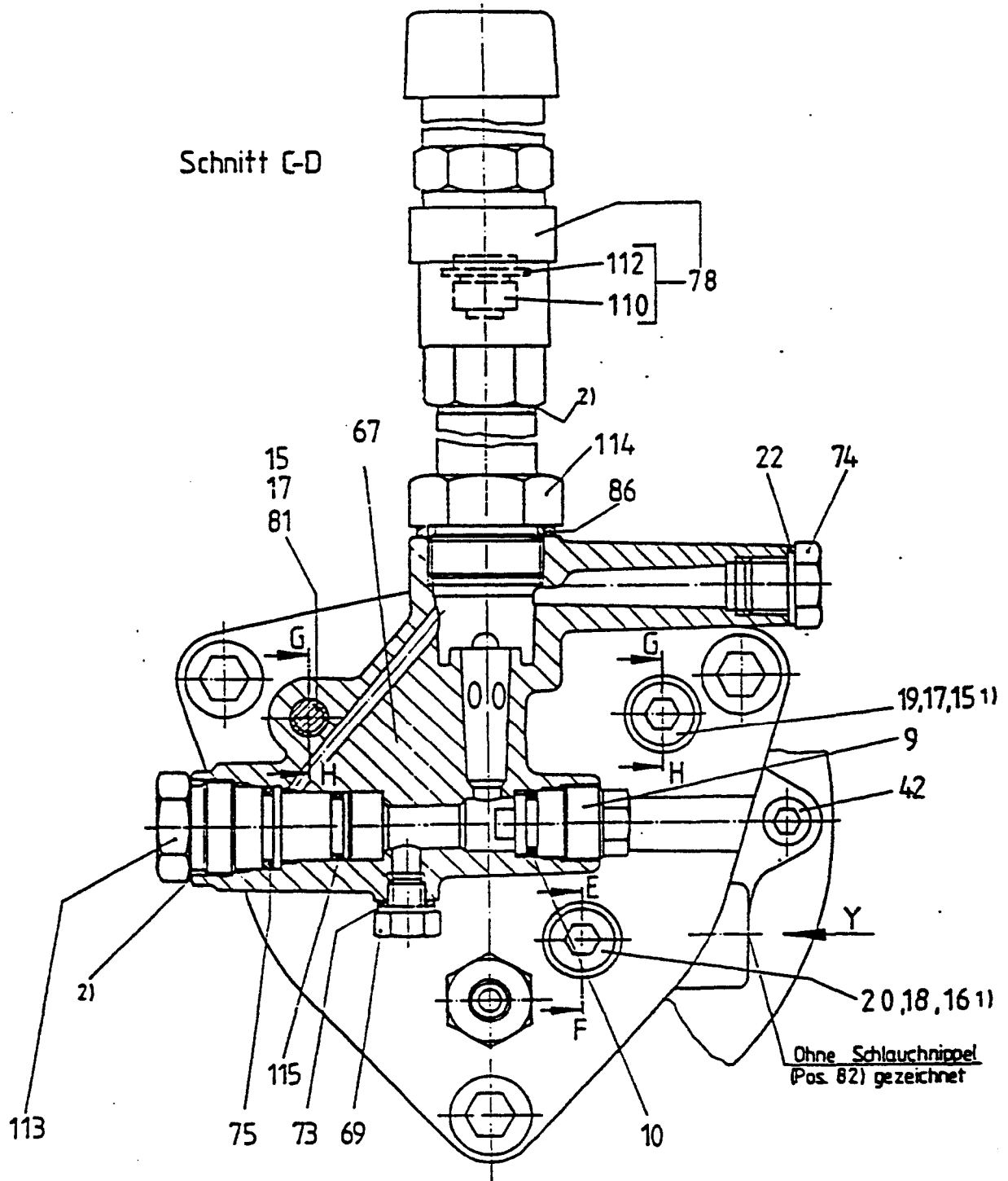
HDS 200 ER

| Pos. | Benennung Item Description Pos. Designation | Teile-Nr. Part-No. No.piece | Stück Qty. Nbr. |
|------|--|-----------------------------------|-----------------------|
| 66 | Dampfduese Rund/ Steam Nozzle,round/ Tuyere A Vap., Rond | 4.766-025.0** | 1 |
| 66 | Dampfduese,rund 2,4/ Steam Nozzle/ Buse Pourjet-Vapeur | 4.766-019.0* | 1 |
| 67 | Nut-Ring Kpl.1st.r./ Grooved Ring/ Joint En U A Levres | 6.362-532.0 | 1 |
| 67 | Nut-Ring Kpl.1st.r./ Grooved Ring/ Joint En U A Levres | 6.363-532.0****] | 1 |
| 68 | Schutzteil/ Protection Part/ Piece de Protection | 5.394-169.0 | 1 |
| ** | ab Werk-Nr 11251 ./ from serial No. 11251./ a'partir du numero de fabrication N.11251 | | |
| **** | ab Werk-Nr.10671./ from serial No 10671./ a'partir du numero de fabrication N.10671 | | |
| * | ab Werk-Nr.10051 ./ from serial No.10051 ./ a'partir du numero de fabrication N.10051 | | |

Gruppe: 2 Pumpensatz
Group: 2 Pump set
Groupe: 2 Ensemble de pompe

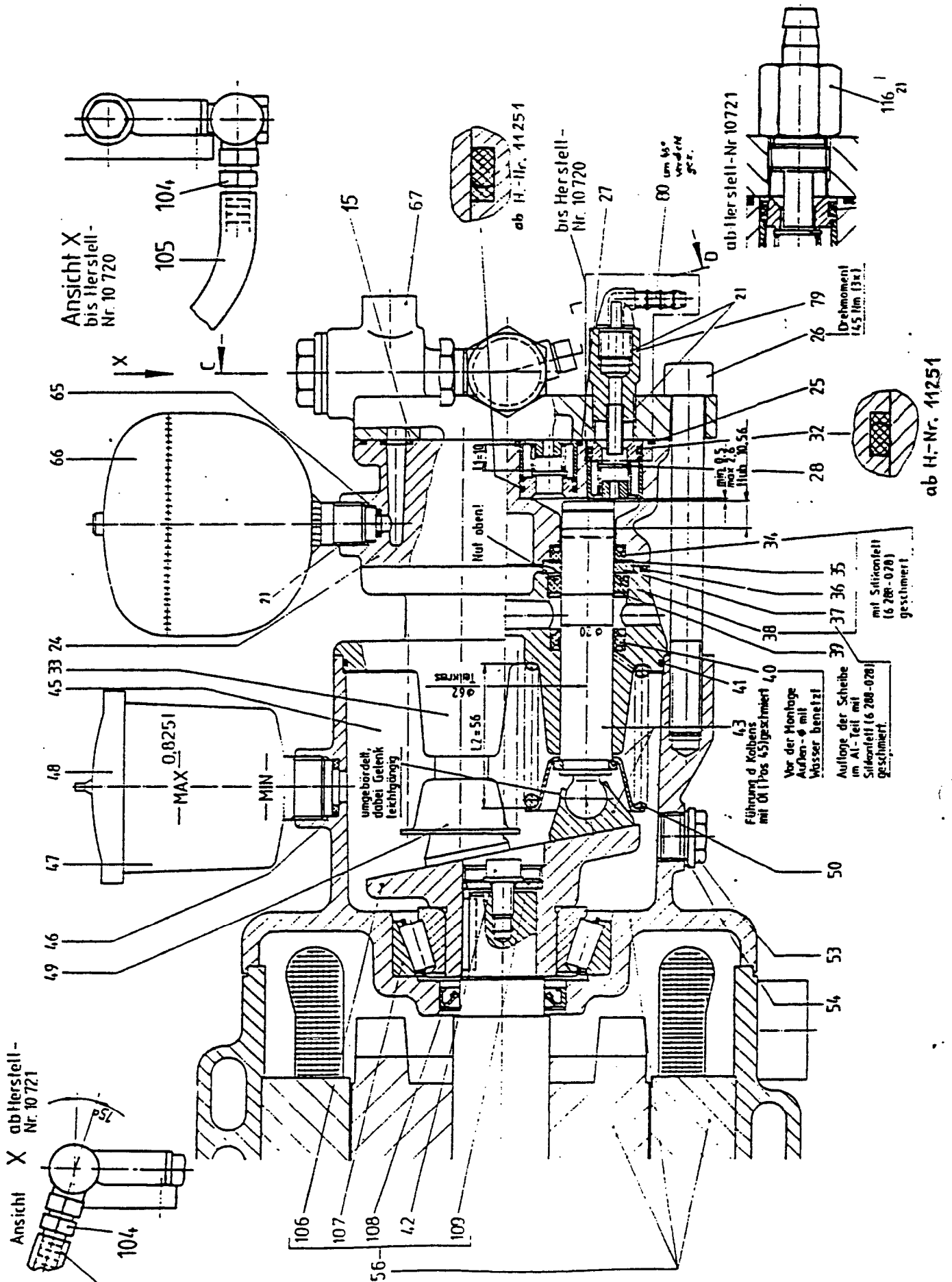
HDS 200 ER

ab Werk-Nr./from serial No./à partir du N° de fabrication 10 721
bis Werk-Nr./up to serial No./jusqu'au N° de fabrication 11 250



Gruppe: 2 Pumpensatz
 Group: 2 Pump set
 Groupe: 2 Ensemble de pompe

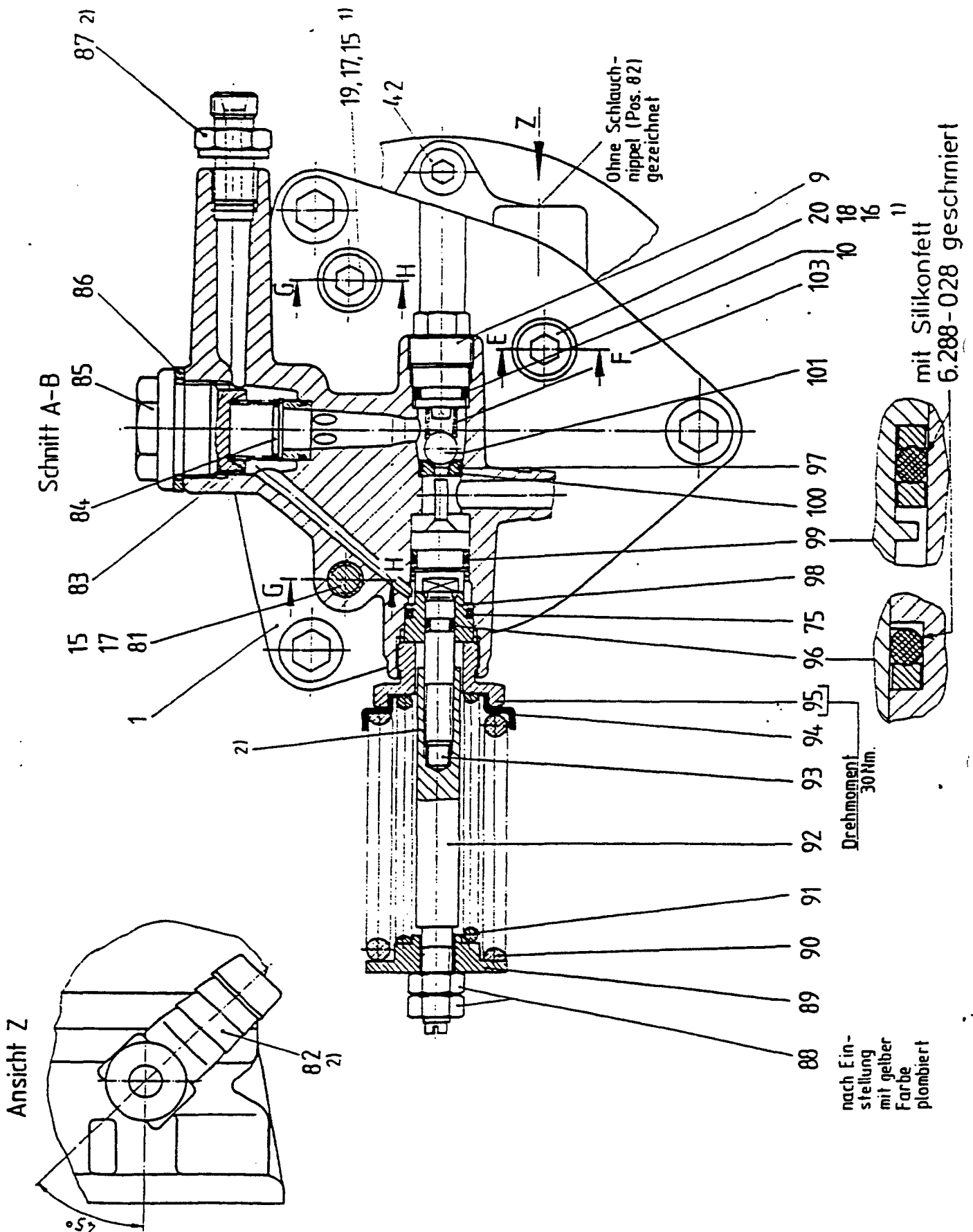
HDS 200 ER



Gruppe: 2 Pumpensatz
 Group: 2 Pump set
 Groupe: 2 Ensemble de pompe

HDS 200 ER

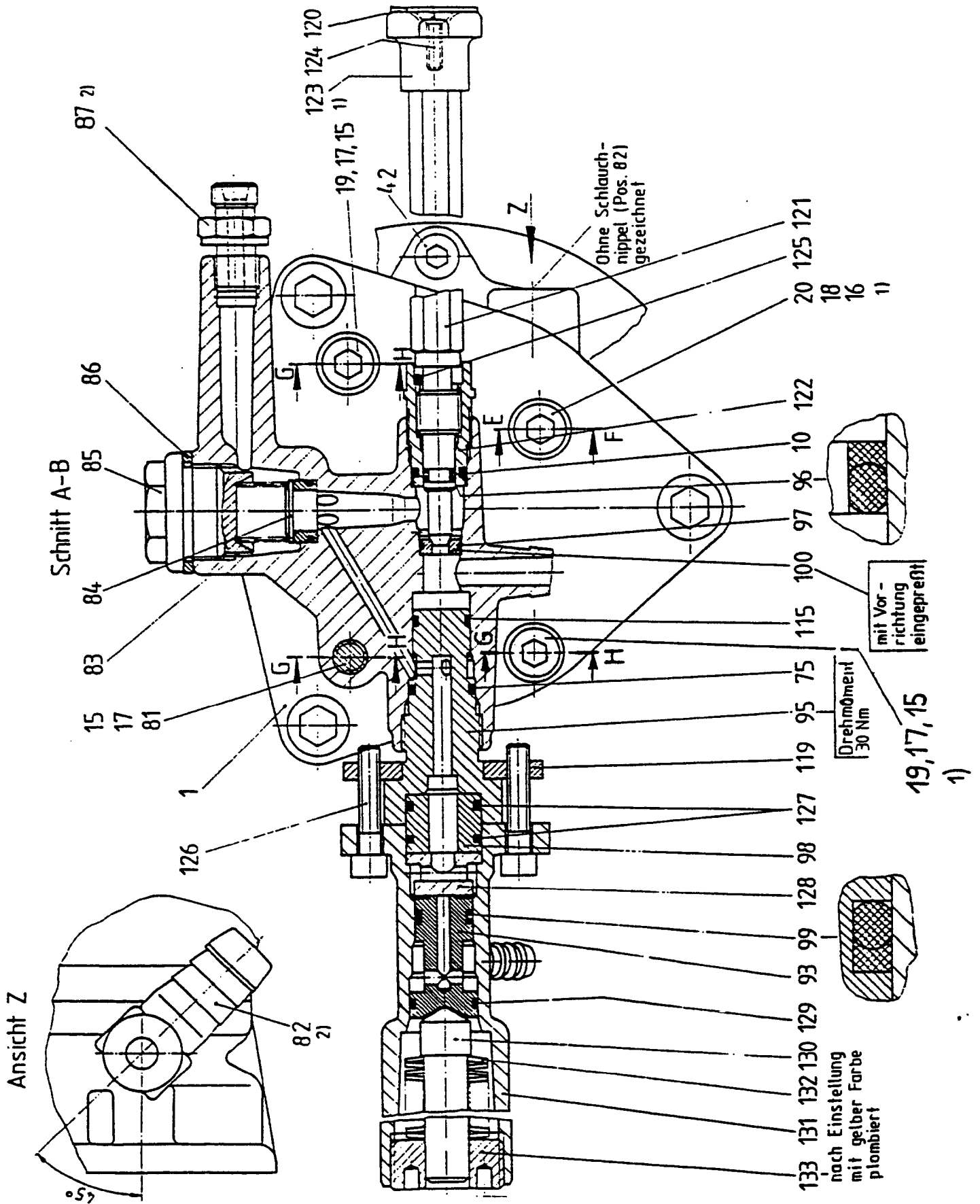
bis Werk-Nr./up to serial No./jusqu'au N° de fabrication 11 250



Gruppe: 2 Pumpensatz
 Group: 2 Pump set
 Groupe: 2 Ensemble de pompe

HDS 200 ER

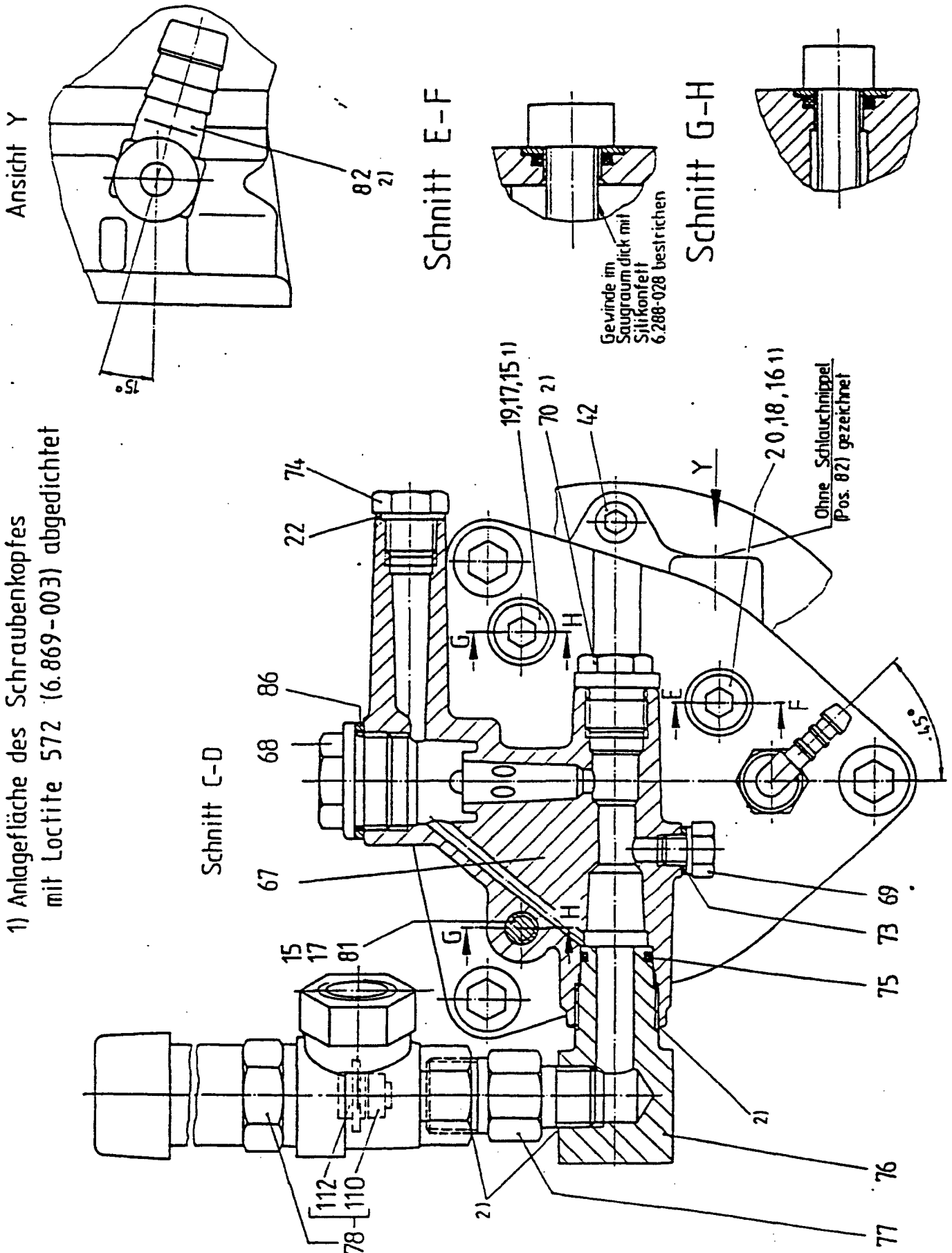
ab Werk-Nr./from serial No./à partir du N° de fabrication 11 251



Gruppe: 2 Pumpensatz
Group: 2 Pump set
Groupe: 2 Ensemble de pompe

HDS 200 ER

bis Werk-Nr./up to serial No./jusqu'au N° de fabrication 10 070

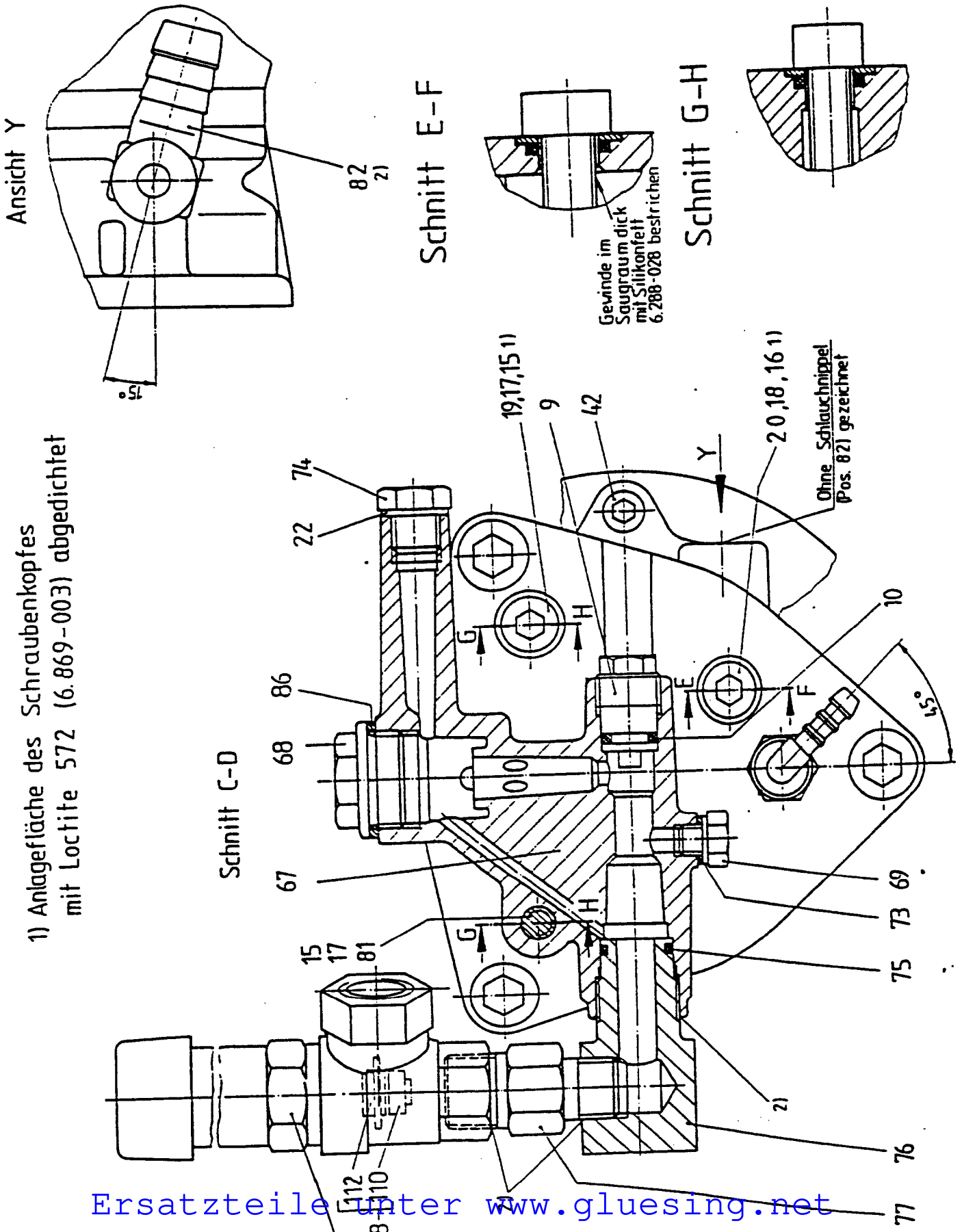


1) Anlagefläche des Schraubenkopfes mit Loctite 572 (6.869-003) abgedichtet

Gruppe: 2 Pumpensatz
 Group: 2 Pump set
 Groupe: 2 Ensemble de pompe

HDS 200 ER

ab Werk-Nr./from serial No./à partir du N^o de fabrication 10 071
 bis Werk-Nr./up to serial No./jusqu'au N^o de fabrication 10 720



1) Anlagelfläche des Schraubenkopfes mit Loctite 572 (6.869-003) abgedichtet

Gruppe: 2 Pumpensatz
Group: 2 Pump set
Groupe: 2 Ensemble de pompe

HDS 200 ER

| Pos. | Benennung Item Description Pos. Designation | Teile-Nr. Part-No. No.piece | Stück Qty. Nbr. |
|------|---|-----------------------------------|-----------------------|
| 0 | Pumpensatz Hds200er/ / Pompe Hds 200 Er | 3.532-192.0*** | 1 |
| 0 | Pumpensatz HDS200er / Pump Set/ Ensemble de Pompes | 3.532-123.0 ** | 1 |
| 1 | Gehaeuse/ Housing/ Boitier | 4.060-078.0*** | 1 |
| 1 | Gehaeuse/ Housing/ Boitier | 4.060-075.0 | 1 |
| 9 | Verschlusschraube/ Screw Plug/ Vis de Fermeture | 5.411-044.0* | 1 |
| 9 | Verschlusschraube/ Screw Plug/ Vis de Fermeture | 5.411-044.0** | 2 |
| 9 | Verschlusschraube/ Screw Plug/ Vis de Fermeture | 5.411-044.0*** | 1 |
| 10 | O-Ring 10-2,2/ O-Ring/ Joint Torique | 6.362-077.0 | 1 |
| 10 | O-Ring 10-2,2/ O-Ring/ Joint Torique | 6.362-077.0** | 2 |
| 15 | O-Ring 8x2 80shore/ / Joint Torique 8x2 | 7.362-507.0 | 6 |
| 15 | O-Ring 8x2 80shore/ / Joint Torique 8x2 | 7.362-507.0*** | 8 |
| 16 | O-Ring 12,0-2,0/ O-Ring/ Joint Torique | 6.362-169.0 | 2 |
| 17 | Scheibe 8,4/ Disk/ Disque | 7.312-073.0 | 4 |
| 17 | Scheibe 8,4/ Disk/ Disque | 7.312-073.0*** | 6 |
| 18 | Scheibe/ / Disque | 5.115-239.0 | 2 |
| 19 | Zyl-Schr.is. m 8x30/ Cheese-Head Screw/ Vis A Tete Cylindr. | 7.306-043.0 | 2 |
| 19 | Zyl-Schr.is. m 8x30/ Cheese-Head Screw/ Vis A Tete Cylindr. | 7.306-043.0*** | 4 |
| 20 | Zyl-Schr.is M12x35/ Cheese Head Screw/ Vis A Tete Cyl. | 6.304-015.0 | 2 |
| 22 | Dichtring A 14x18/ Joint Ring/ Anneau D'etancheite | 7.362-005.0 | 1 |
| * | bis Werk-Nr.10070 ./ up to serial No.10070 ./ jusqu'au numero de fabrication N. 10070 | | |
| ** | ab Werk-Nr.10071 ./ from serial No.10071 ./ a'partir du numero de fabrication N.10071 | | |
| *** | ab Werk Nr. 11251 ./ from serial No. 11251 ./ a' partir du numero de fabrication N.11251 | | |

Gruppe: 2 Pumpensatz
Group: 2 Pump set
Groupe: 2 Ensemble de pompe

HDS 200 ER

| Pos. | Benennung Item Description Pos. Designation | Teile-Nr. Part-No. No.piece | Stück Qty. Nbr. |
|------|--|-----------------------------------|-----------------------|
| 24 | Zylinderkopf/ / Culasse | 5.550-113.0 | 2 |
| 25 | O-Ring 105x1,78/ O-Ring/ Joint Torique | 6.362-449.0* | 2 |
| 26 | Zyl-Schr.is M12x130/ Cheese-Head Screw/ Vis A Tete Cylindr. | 7.306-096.0 | 6 |
| 27 | O-Ring 21x2,4/ / Joint Torique21x2,4 | 6.362-549.0 | 6 |
| 28 | Ventil Komplett/ Valve Complete/ Clapet | 4.580-109.0 | 12 |
| 28 | Ventil Kompl./ / Clapet | 4.580-149.0** | 12 |
| 32 | O-Ring 16x2,4/ O-Ring/ Joint Torique | 6.362-445.0 | 12 |
| 32 | O-Ring Kpl./1st.-R./ O-Ring Complete/ Joint Torique Comp. | 6.362-500.0** | 12 |
| 33 | Gehaeuse/ Housing/ Boitier | 5.060-167.0 | 2 |
| 34 | Nutring/ Grooved Ring/ Joint En U A Levres | 6.365-061.0* | 6 |
| 35 | Scheibe/ Disk/ Disque | 5.115-224.0* | 6 |
| 36 | O-Ring 100x1,78/ O-Ring 100x1,78/ Joint Torique | 6.362-448.0* | 2 |
| 37 | Scheibe/ Disk/ Disque | 5.115-216.0 | 6 |
| 38 | Nutring 20x30x8/4/ Grooved Ring/ Joint En U A Levres | 6.365-053.0* | 6 |
| 39 | Scheibe/ Disk/ Disque | 5.115-217.0 | 6 |
| 40 | Nutring 20x28x6/8/ Grooved Ring/ Joint En U A Levres | 6.365-052.0* | 6 |
| 41 | O-Ring 115x1,78/ O-Ring/ Joint Torique | 6.362-447.0* | 2 |

* Teile sind im Ersatzteilset 2.880-154 (Gr.1/Pos.64) enthalten :/ Parts included in spare kits 2.880-154 (Gr.1/Pos.64) :/ Pieces comprises dans le jeu de pices rechange 2.880-154 (Gr.1/Pos.64)

** ab Werk-Nr 11251 :/ from serial No.11251 :/ a'partir du numero de fabrication N.11251

Gruppe: 2 Pumpensatz
Group: 2 Pump set
Groupe: 2 Ensemble de pompe

HDS 200 ER

| Pos. | Benennung Item Description Pos. Designation | Teile-Nr. Part-No. No.piece | Stück Qty. Nbr. |
|------|--|-----------------------------------|-----------------------|
| 42 | Zyl-Schr.is. m 8x20/ Cheese Head Screw/ Vis A Tete Cylindr. | 7.306-041.0 | 6 |
| 43 | Kolben Komplett/ Piston Complete/ Piston Complet | 4.553-033.0 | 6 |
| 45 | Getriebeoel/ Gear Lubricant Oil/ Huile A Engrenages | 6.288-016.0 | 2 |
| 46 | Dichtring/ Joint Ring/ Anneau D'etancheite | 5.363-100.0 | 2 |
| 47 | Behaelter/ Receptacle/ Recipient | 5.070-048.0 | 2 |
| 48 | Deckel/ Cover/ Couvercle | 5.063-189.0 | 2 |
| 49 | Formteil/ Preform/ Preforme | 5.030-274.0 | 6 |
| 50 | Schraubenfeder/ Coil Spring/ Ressort A Boudin | 5.332-117.0 | 6 |
| 53 | Vs.schraube M18x1,5/ Screw Plug/ Vis de Fermeture | 7.382-235.0 | 2 |
| 54 | Dichtring A 18x22/ Joint Ring/ Anneau D'etancheite | 7.362-009.0 | 2 |
| 56 | Motor 9,1kw 14004/m/ Motor/ Moteur | 6.611-187.0 | 1 |
| 65 | O-Ring 6,07-1,78/ O-Ring/ Joint Torique | 6.362-176.0 | 2 |
| 66 | Druckspeicher/ Pressure Reservoir/ Anti-Belier | 6.505-021.0 | 2 |
| 67 | Gehaeuse/ Housing/ Boitier | 5.060-166.0 | 1 |
| 68 | Vs.schraube M26x1,5/ Screw Plug/ Vis de Fermeture | 7.382-239.0 | 1 |
| 69 | Vs.schraube m 8x1/ Screw Plug/ Vis de Fermeture | 7.382-201.0 | 1 |
| 70 | Vs.schraube R3/8 z/ Screw Plug/ Vis de Fermeture | 7.382-271.0 | 1 |
| 73 | Dichtring A 8x11,5/ Joint Ring/ Anneau D'etancheite | 7.362-002.0 | 1 |
| 74 | Vs.schraube R1/4z/ Screw Plug/ Vis de Fermeture | 7.382-145.0 | 1 |
| 75 | O-Ring 13,3-2,4/ O-Ring/ Joint Torique | 6.362-078.0 | 2 |
| 76 | Schraubstutzen/ / Embase de Soupape | 5.402-347.0* | 1 |

* bis Werk Nr.10070 :/ up to serial No.10070 :/ jusqu'au numero
de fabrication N.10070

** ab Werk-Nr.11251 :/ from serial No.11251 :/ a'partir du numero de
fabrication N.11251

Gruppe: 2 Pumpensatz
Group: 2 Pump set
Groupe: 2 Ensemble de pompe

HDS 200 ER

| Pos. | Benennung Item Description Pos. Designation | Teile-Nr. Part-No. No.piece | Stück Qty. Nbr. |
|------|---|-----------------------------------|-----------------------|
| 77 | Doppelstutzen/ Double Socket/ Rac.double Bic.male | 5.403-078.0 | 1 |
| 78 | Si-Ventil 1/2z/ Safety Valve/ Soupape de Surete | 6.412-678.0 | 1 |
| 79 | Schraubstutzen/ Screw Socket/ Manchon Filete | 4.402-026.0 | 1 |
| 80 | Winkeltuelle 1/4z/ Angle Socket/ Porcelaine Coudee | 6.388-423.0 | 1 |
| 81 | Zyl-Schr.is m 8x50/ Cheese-Head Screw/ Vis A Tete Cylindr. | 7.306-039.0 | 2 |
| 82 | Schlauchnippel/ Hose Stem/ Raccord Pour Tuyau | 5.443-191.0 | 2 |
| 83 | Schraubenfeder/ Coil Spring/ Ressort A Boudin | 5.332-125.0 | 1 |
| 84 | Ventilteller/ Valve Head/ Tete de Soupape | 5.582-029.0 | 1 |
| 85 | Ventilschraube/ Valve Screw/ Vis de Soupape | 5.583-040.0 | 1 |
| 86 | Usitring26,7x35x2,0/ Joint Ring/ Anneau D'etancheite | 6.362-230.0 | 2 |
| 87 | Schraubstutzen 1/4z/ Screw Socket/ Manchon Filete | 6.386-295.0 | 1 |
| 88 | 6kt-Mutter m 8/ Hexagon Nut m 8/ Ecrou Hex. m 8 | 7.311-041.0* | 2 |
| 89 | Scheibe/ Disk/ Disque | 5.115-180.0* | 1 |
| 90 | Schraubenfeder/ Coil Spring/ Ressort A Boudin | 5.332-092.0* | 1 |
| 91 | Schraubenfeder/ Coil Spring/ Ressort A Boudin | 5.332-093.0* | 1 |
| 92 | Stange/ Rod/ Perche | 5.107-045.0* | 1 |
| 93 | Kolben/ Piston/ Piston | 5.553-149.0 | 1 |
| 93 | Kolben/ Piston/ Piston | 5.553-119.0** | 1 |
| 94 | Formteil/ Preform/ Preforme | 5.030-251.0* | 1 |

* bis Werk-Nr.11250 :/ up to serial N.11250 :/ jusqu'au numero de fabrication N.11250

** ab Werk-Nr.11251 :/ from serial No.11251 :/ a'partir du numero de fabrication N.11251

Gruppe: 2 Pumpensatz
Group: 2 Pump set
Groupe: 2 Ensemble de pompe

HDS 200 ER

| Pos. | Benennung | Teile-Nr. | Stück |
|------|---|---------------|-------|
| Item | Description | Part-No. | Qty. |
| Pos. | Designation | No.piece | Nbr. |
| 95 | Formschraube/ / Piece Filetee | 5.305-098.0 | 1 |
| 95 | Formschraube/ / Piece Filetee | 5.305-140.0** | 1 |
| 96 | O-Ring Kpl./lst.-R./ O-Ring Compl./ Joint Torique Compl | 6.362-453.0 | 1 |
| 96 | O-Ring Kpl./lst.-R./ O-Ring Compl./ Joint Torique Compl | 6.362-468.0** | 1 |
| 97 | O-Ring 10x1/ O-Ring 10x1/ Joint Torique 10x1 | 6.362-437.0 | 1 |
| 98 | Huelse/ Pod/ Douille | 5.110-184.0 | 1 |
| 98 | Huelse/ Pod/ Douille | 5.110-218.0** | 1 |
| 99 | O-Ring, Kompl./ O-Ring Compl./ Joint Torique Compl | 6.362-450.0 | 1 |
| 100 | Ventilsitz/ / Siege de Soupape | 5.581-098.0** | 1 |
| 100 | Ventilsitz/ Valve Seat/ Siege de Soupape | 5.581-064.0 | 1 |
| 101 | Stahlkugel 3/8 z/ Steel Ball/ Ball D'acier | 7.401-907.0* | 1 |
| 103 | Schraubenfeder/ Coil Spring/ Ressort A Boudin | 5.332-088.0* | 1 |
| 104 | Schlauchnippel/ Hose Stem/ Raccord Pour Tuyau | 6.388-413.0 | 1 |
| 105 | Schlauchstueck/ Flexible Tube Piece/ Piece de Tuyau | 5.442-489.0 | 1 |
| 106 | Taumelscheibe/ Squash Plate/ Disque En Nutation | 5.120-105.0 | 2 |
| 107 | Kegelrollenlager 41/ Taper Roller Bearin/ Palier Con.a Roul. | 6.401-113.0 | 2 |
| 108 | W.dichtring A 35x52/ Rotary Shaft Seal/ Bague A Levres Res. | 7.367-009.0 | 2 |
| 109 | Scheibe R9/ Disk R9/ Disque R9 | 7.312-261.0 | 2 |
| 110 | Dichtung/ Seal/ Joint | 6.412-679.0 | 1 |

* ab Werk-Nr.11251 :/ from to serial No.11251 :/ a'partir du numero
de fabrication N.11251

** bis Werk-Nr.11250 :/ up to serial No.11250 :/ jusqu'au numero
de fabrication N.11250

Gruppe: 2 Pumpensatz
Group: 2 Pump set
Groupe: 2 Ensemble de pompe

HDS 200 ER

| Pos. Benennung Item Description Pos. Designation | Teile-Nr. Part-No. No.piece | Stück Qty. Nbr. |
|--|-----------------------------------|-----------------------|
| 111 Pump-Set Hds 200 Er/ / Kit Pompe Hds200e | 2.880-246.0*** | 1 |
| 112 Dichtung/ / Joint | 6.412-685.0 | 1 |
| 113 Formschraube/ Special Screw/ Vis de Forme | 5.305-125.0** | 1 |
| 114 Doppelstutzen/ Double Socket/ Rac.double Bic.male | 5.403-091.0 | 1 |
| 115 O-Ring 13-2/ O-Ring/ Joint Torique | 6.362-381.0 | 1 |
| 116 Schlauchnippel/ Hose Stem/ Raccord Pour Tuyau | 5.443-252.0 | 1 |
| 117 Scheibe 8 Din 1440/ / Rondelle | 7.312-155.0 | 1 |
| 118 Tellerfeder A28/ / Rondelle Belleville | 7.333-002.0 | 5 |
| 119 Flansch/ / Flasque | 5.122-119.0* | 1 |
| 120 Stopfen/ Plug/ Bouchon | 5.132-036.0* | 1 |
| 121 Spindel/ / Tige de Soupape | 5.291-027.0* | 1 |
| 122 Formschraube/ / Piece Filetee | 5.305-141.0* | 1 |
| 123 Griff/ / Poignee | 5.321-184.0* | 1 |
| 124 Senkschraube M4x16/ Countersunk Screw/ Vis A Tete Fraisee | 7.305-023.0* | 1 |
| 125 Kegelkerbstift 2x12/ / Goupille | 7.314-402.0* | 1 |
| 126 Zyl-Schr.is.m6x30/ Cheese Head Screw/ Vis A Tete Cylindr. | 7.306-024.0* | 2 |
| 127 O-Ring 17,3-2,4/ O-Ring/ Joint Torique | 6.362-160.0* | 2 |
| 128 Ventilsiatz/ Valve Seat/ Siege de Soupape | 5.581-072.0* | 1 |
| 129 O-Ring 15x2/ O-Ring 15x2/ Joint Torique 15x2 | 6.362-427.0* | 1 |
| 130 Bolzen/ Pin/ Axe | 5.316-129.0* | 1 |

Gruppe: 2 Pumpensatz
Group: 2 Pump set
Groupe: 2 Ensemble de pompe

HDS 200 ER

| Pos. Benennung | Teile-Nr. | Stück |
|------------------|-----------|-------|
| Item Description | Part-No. | Qty. |
| Pos. Designation | No.piece | Nbr. |

| | | |
|---|--------------|----|
| 131 Gehaeuse/ Housing/ Boitier | 5.587-104.0* | 1 |
| 132 Tellerfeder 23/ Disk Spring/ Rondelle Conique | 6.333-014.0* | 24 |
| 133 Verschlusschraube/ Screw Plug/ Vis de Fermeture | 5.411-047.0* | 1 |

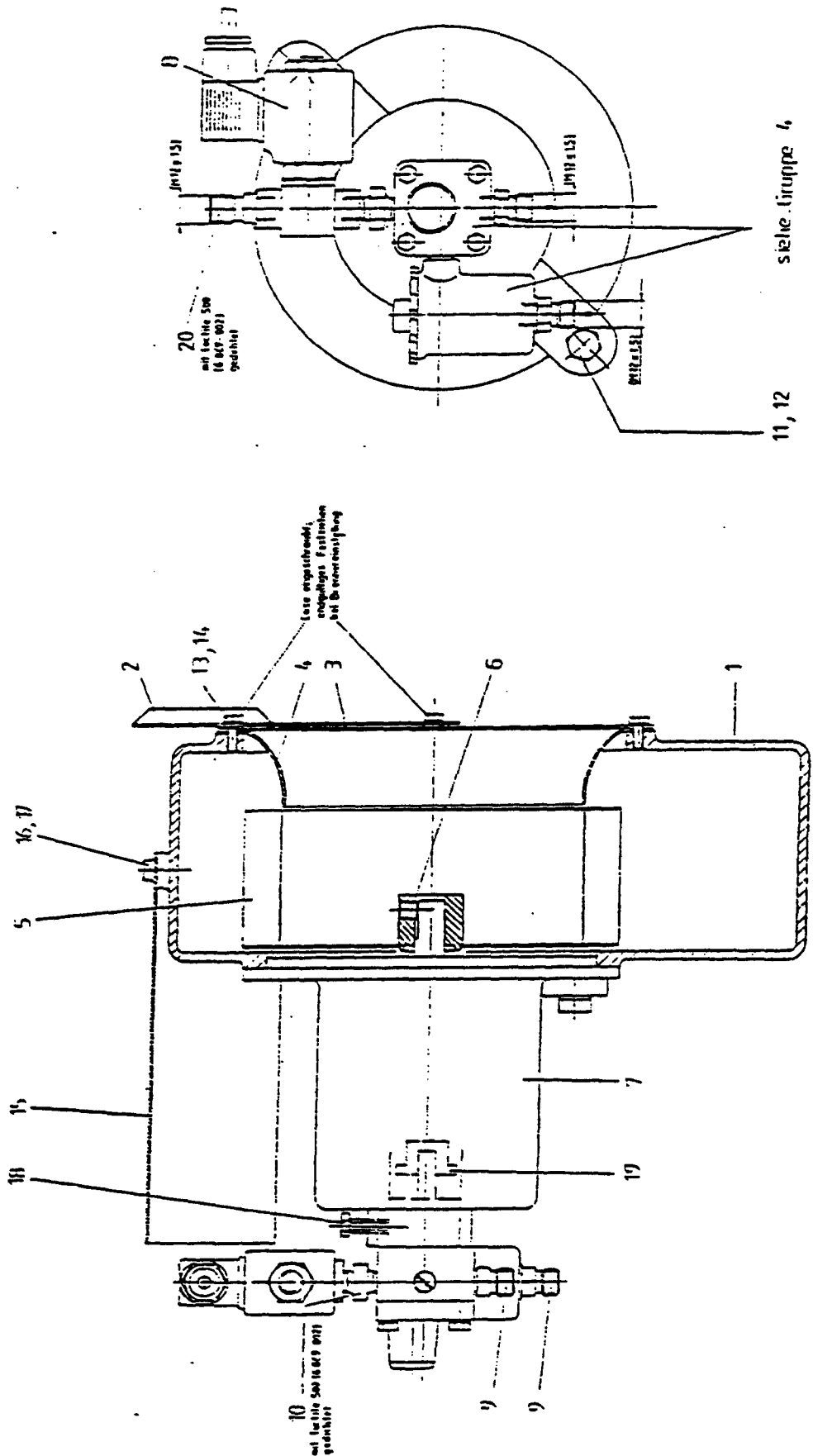
* ab Werk-Nr.11251 :/ from serial No.11251 :/ a'partir du numero de fabrication N.11251

** bis Werk-Nr.11250 :/ up to serial No.11250 :/ jusqu'au numero de fabrication N.11250

*** Pos 45 2x mitbestellen :/ Please order Item 45 (2x) :/ Veuillez commander Pos.45 (2x)

Gruppe: 3 Gebläse
Group: 3 Blower
Groupe: 3 Soufflerie

HDS 200 ER



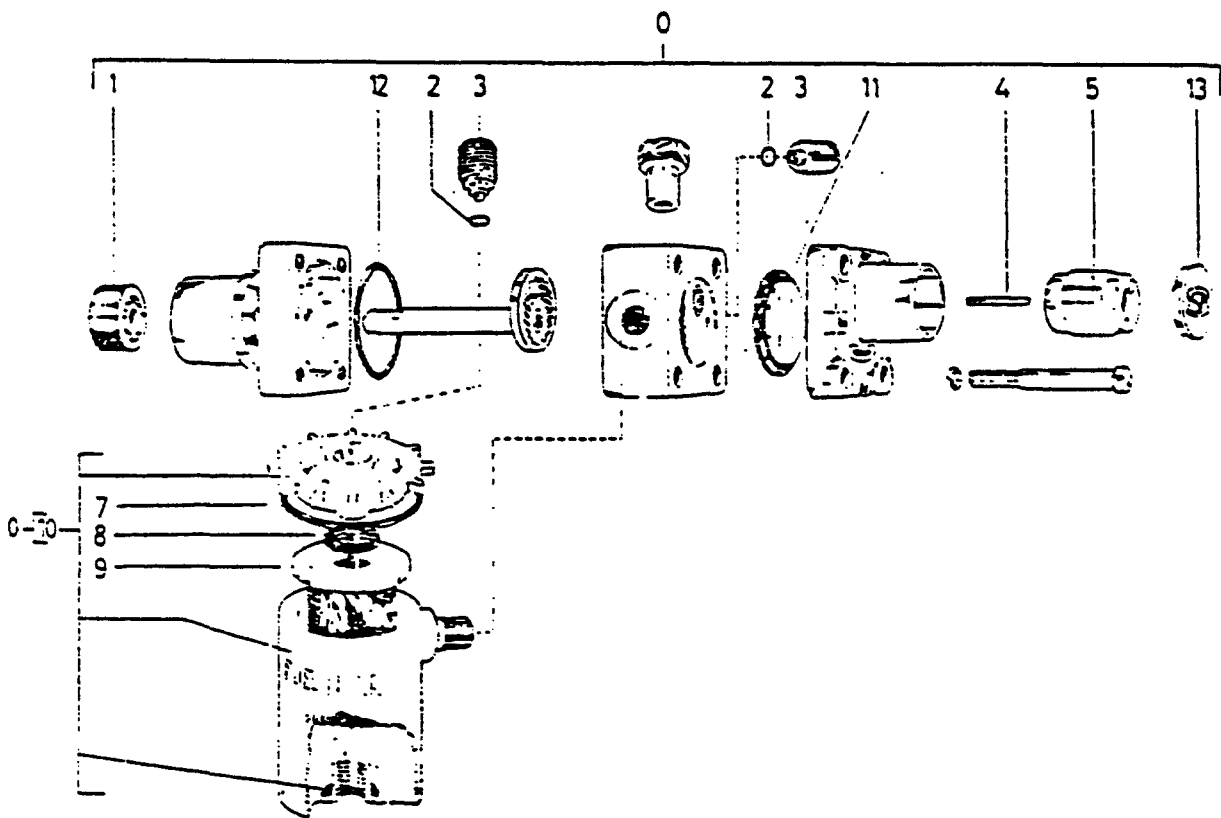
Gruppe: 3 Gebläse
Group: 3 Blower
Groupe: 3 Soufflerie

HDS 200 ER

| Pos. | Benennung | Teile-Nr. | Stück |
|------|---|-------------|-------|
| Item | Description | Part-No. | Qty. |
| Pos. | Designation | No.piece | Nbr. |
| 1 | Gehäuse/ Housing/ Boitier | 5.605-067.0 | 1 |
| 2 | Blechteil/ Sheet Metal/ Piece En Tole | 5.040-054.0 | 1 |
| 3 | Schutzteil/ Protection Piece/ Piece de Protection | 5.394-103.0 | 1 |
| 4 | Einlauftring/ Inflow Ring/ Anneau D'entree | 5.602-020.0 | 1 |
| 5 | Gebleserad D160x62/ Fan Wheel/ Turbine A Air | 6.484-014.0 | 1 |
| 6 | Gewindestift/ Headless Pin/ Vis Sans Tete | 5.307-006.0 | 1 |
| 7 | Motor 0,15kw 2700 U/ Motor/ Moteur | 6.611-190.0 | 1 |
| 8 | Magnetventil/ Solenoid Valve/ Electrovanne | 6.685-183.0 | 1 |
| 9 | Schraubstutzen 1/8z/ Screw Socket/ Manchon Filete | 6.386-181.0 | 2 |
| 10 | D.nippel. 1/8z/ Double Nipple/ Nipple Double | 6.387-409.0 | 1 |
| 11 | 6kt-Schraube M8x25/ Hex. Head Cap Screw/ Boulon A Six Pans | 7.304-399.0 | 2 |
| 12 | Federring b 8/ Spring Washer B8/ Rondelle Grower B8 | 7.313-004.0 | 2 |
| 13 | 6kt-Schraube M4x12/ Hex. Head Cap Screw/ Boulon A Six Pans | 7.304-362.0 | 4 |
| 14 | Scheibe A 4,3/ Disk/ Disque | 7.312-001.0 | 6 |
| 15 | Schutzblech/ Splasher/ Garde-Boue | 5.391-015.0 | 1 |
| 16 | 6kt-Schraube M5x10/ Hex. Head Cap Screw/ Boulon A Six Pans | 7.304-370.0 | 3 |
| 17 | Scheibe b 5,3/ Disk/ Disque | 7.312-002.0 | 3 |
| 18 | 6kt-Schraube M5x16/ Hex. Head Cap Screw/ Boulon A Six Pans | 7.304-372.0 | 1 |
| 19 | Kupplung/ Coupler/ Dispos.d'accouplem. | 6.463-027.0 | 1 |
| 20 | Schraubstutzen 1/8z/ Screw Socket/ Manchon Filete | 6.386-157.0 | 1 |

Gruppe: 4 Brennstoffpumpe
Group: 4 Fuel pump
Groupe: 4 Pompe a'combustible

HDS 200 ER

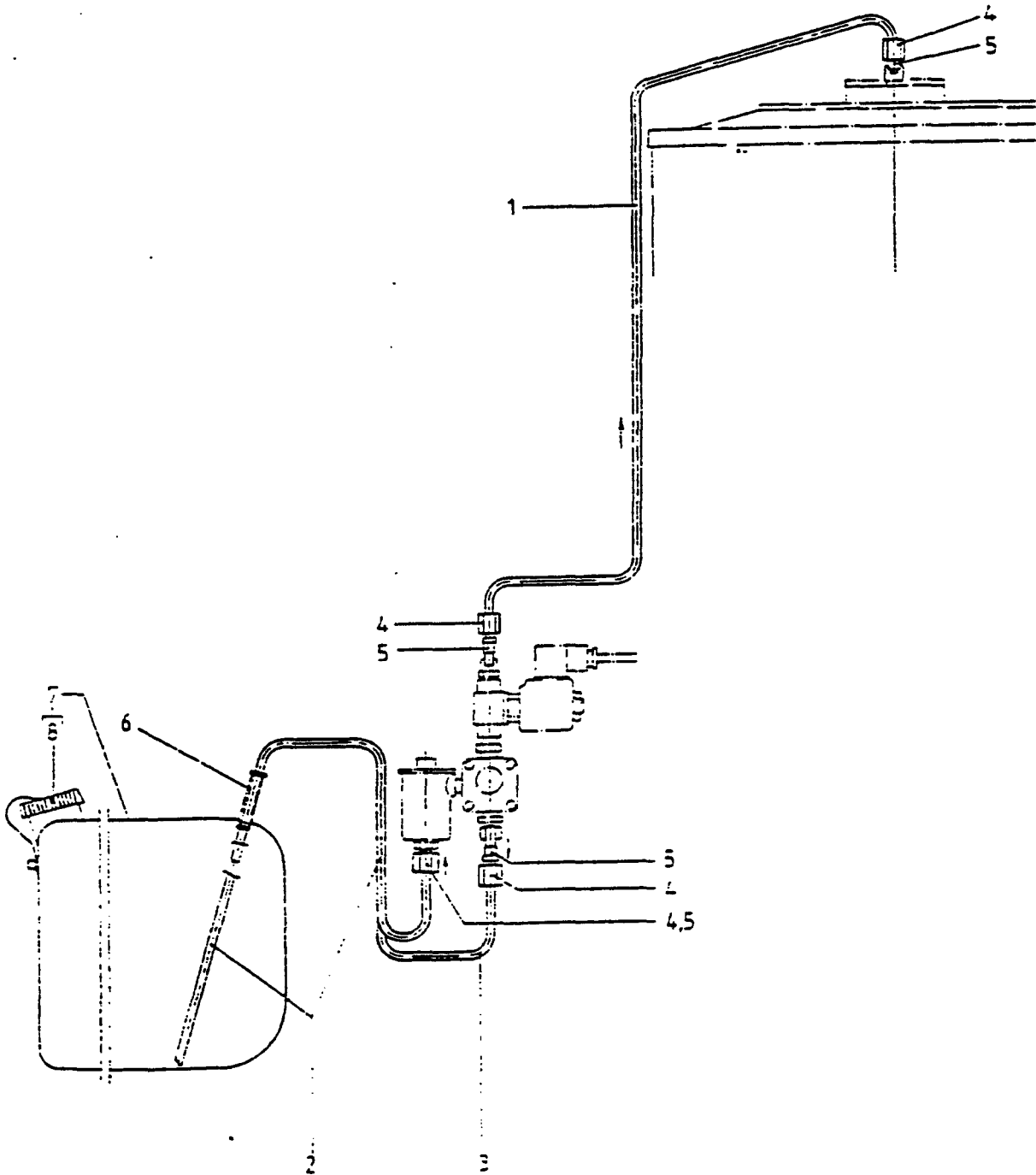


Gruppe: 4 Brennstoffpumpe
Group: 4 Fuel pump
Groupe: 4 Pompe a'combustible

HDS 200 ER

| Pos. | Benennung Item Description Pos. Designation | Teile-Nr. Part-No. No.piece | Stück Qty. Nbr. |
|------|---|-----------------------------------|-----------------------|
| 0 | Br-Foerderpumpe/ Fuel Oil Tr. Pump/ Pompe Fuel | 6.472-261.0 | 1 |
| 1 | Achsendichtung/ Shaft Seal/ Etoupage D'arbre | 6.472-105.0 | 1 |
| 2 | O-Ring 5-1,8/ O-Ring/ Joint Torique | 6.472-106.0 | 2 |
| 3 | Entlueftungsschraub/ Vent Screw/ Vis de Sortir D'air | 6.472-107.0 | 2 |
| 4 | Stift/ Pin/ Broche Cheville | 6.472-108.0 | 1 |
| 5 | Federgehaeuse/ Spring Housing/ Boitier de Ressort | 6.472-109.0 | 1 |
| 7 | O-Ring 32-1,6/ O-Ring/ Joint Torique | 6.472-111.0 * | 1 |
| 8 | O-Ring 10-2,4/ O-Ring/ Joint Torique | 6.472-112.0 * | 1 |
| 9 | Filtereinsatz/ Filtr Cartridge/ Cartouche Filtrante | 6.472-113.0 * | 1 |
| 10 | Filtergehaeuse Kpl./ Filter Housing/ Boitier de Filtre | 6.472-123.0 | 1 |
| 11 | Membran/ Membrane/ Membrane | 6.472-128.0 | 1 |
| 12 | O-Ring 28,5-1,6/ O-Ring/ Joint Torique | 6.472-120.0 | 1 |
| 13 | Schutzkappe/ Protecting Cap/ Capot Protection | 6.472-122.0 | 1 |

* Teile sind im Ersatzteilset 2.880-248 (Gr.1 /Pos.64) erhalten /
Parts included in spare parts kits 2.880-248 (Gr.1 /Pos.64 /
Pieces comprises dans le jeu de pieces rechange 2.880-248 (Gr.1 /Pos.64)



Gruppe: 5 Leitungssystem Brennstoff
Group: 5 Pipe layout fuel
Groupe: 5 Plan de conduite combustible

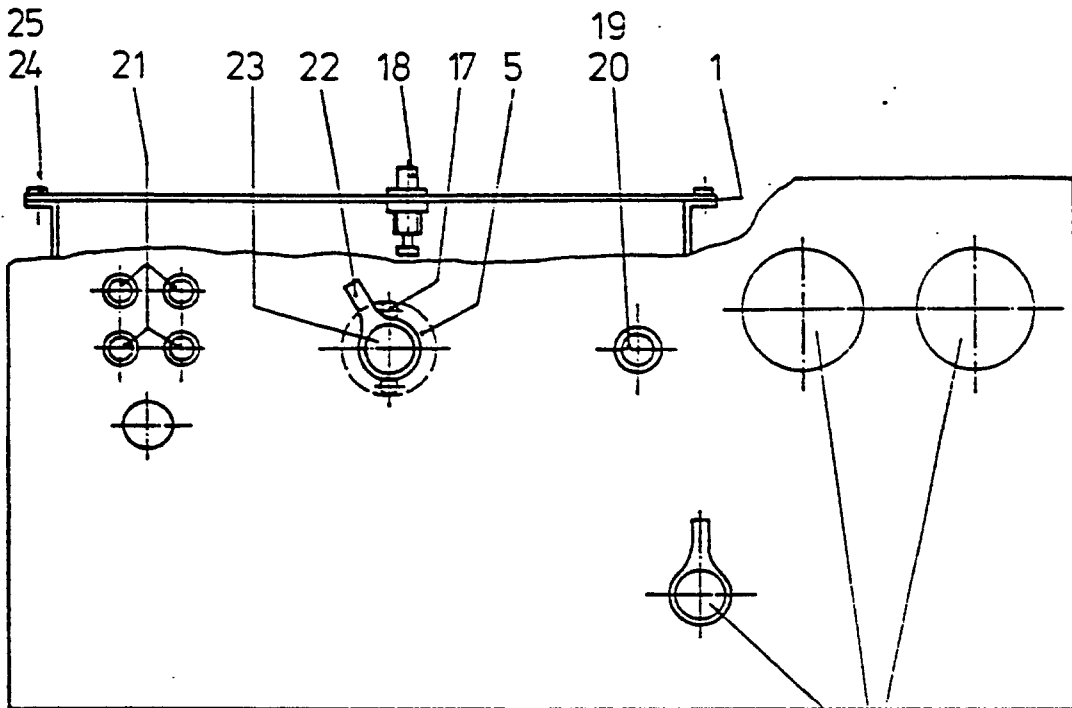
HDS 200 ER

| Pos. | Benennung Item Description Pos. Designation | Teile-Nr. Part-No. No.piece | Stück Qty. Nbr. |
|------|--|-----------------------------------|-----------------------|
| 1 | Leitungsrohr/ Conduit/ Conduit | 5.422-990.0 | 1 |
| 2 | Leitungsrohr/ Conduit/ Conduit | 5.422-992.0 | 1 |
| 3 | Leitungsrohr/ Conduit/ Conduit | 5.422-993.0 | 1 |
| 4 | Ueberwurfmutter/ Union Nut/ Ecrou-Raccord | 6.386-159.0 | 4 |
| 5 | Schneidring 6d/ Cutting Ring/ Bague Coupante | 6.386-160.0 | 4 |
| 6 | Durchfuehrgs.tuelle/ Cable Gland/ Passe-Cable | 6.641-435.0 | 2 |
| 7 | Tank Mit Deckel/ Tank With Cover/ Reservoir Et Couv. | 5.071-023.0 | 1 |
| 8 | Deckel/ Cover/ Couvercle | 5.063-207.0 | 1 |

Gruppe: 6 Elektroschrank
 Group: 6 Electric controls box
 Groupe: 6 Coffert électrique

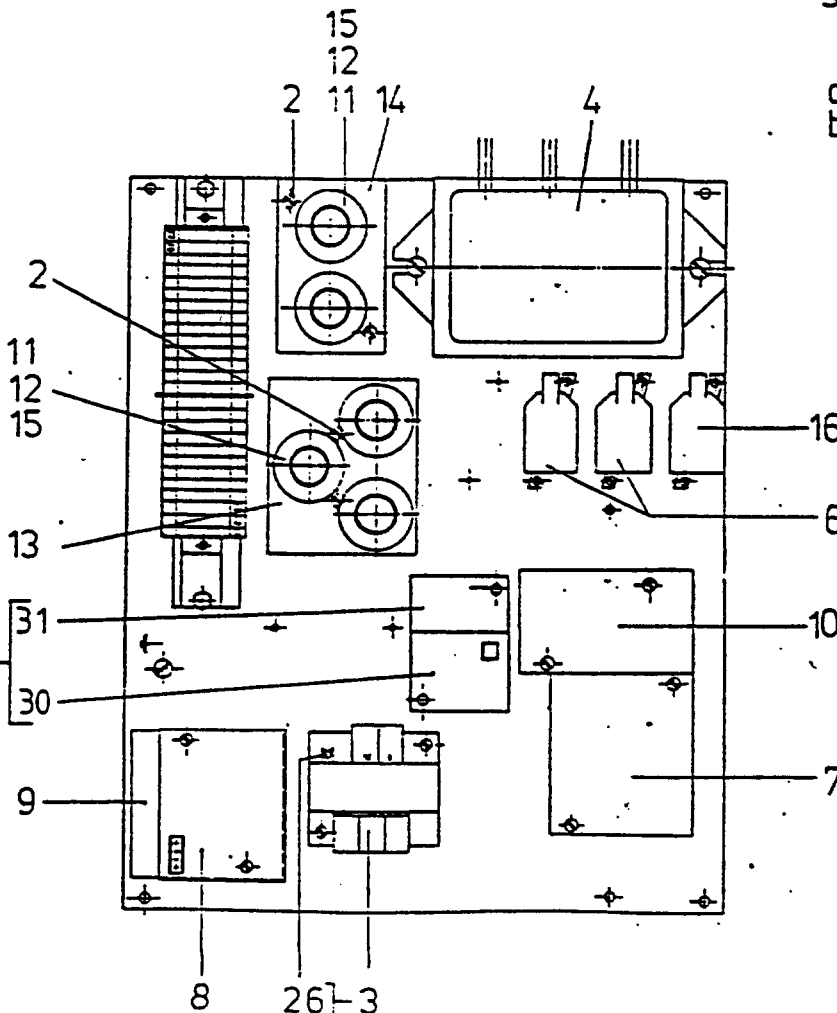
HDS 200 ER

bis werk-Nr./up to serial No./jusqu'au N° de fabrication 10 050

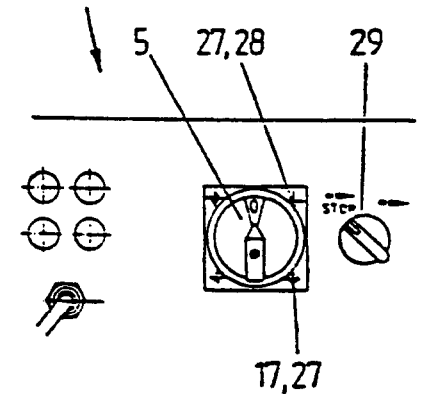


siehe Gruppe 7

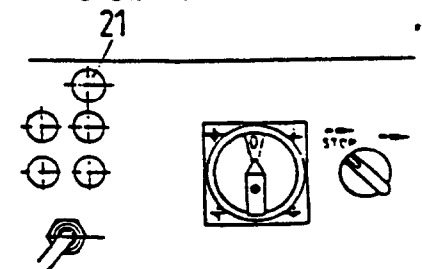
ab Herst.-Nr. 10051
 bis Herst.-Nr. 10670



ab Herst.-Nr. 10671 bis 10870



ab Herst.-Nr. 10671



Gruppe: 6 Elektroschrank
Group: 6 Electric controls box
Groupe: 6 Coffert electrique

HDS 200 ER

| Pos. | Benennung Item Description Pos. Designation | Teile-Nr. Part-No. No.piece | Stück Qty. Nbr. |
|------|---|-----------------------------------|-----------------------|
| 1 | Zellgummiband 9x4/ Cell. Rubber Band/ Ruban Caout.cell. | 6.273-043.0 | 1,6m |
| 2 | Scheibe 12x5x2,0/ Disk/ Disque | 6.362-254.0 | 4 |
| 3 | St-Trafo 40 Va/ Transformer/ Transformateur | 6.622-021.0 | 1 |
| 4 | Z-Trafo 380 V,50 Hz/ Transformer/ Transformateur | 6.622-055.0 | 1 |
| 5 | Schalter 25 A/ Switch/ Interrupteur | 6.631-175.0 * | 1 |
| 5 | Schalter/ Switch/ Interrupteur | 6.631-168.0 ** | 1 |
| 6 | Schuetz 24v/ Contactor 24v/ Contacteur 24v | 6.632-052.0 | 2 |
| 7 | Schuetz 24v 50/60hz/ Contactor/ Contacteur | 6.632-085.0 | 1 |
| 8 | Impulsgeber/ Impulse Transmitter/ Relais D'impulsion | 6.633-090.0 | 1 |
| 9 | Zeitrelais/ Timing Relay/ Relaisduthermostatt | 6.633-107.0 | 1 |
| 10 | Ue-Relais 12,5-20 A/ Relay/ Thermique 14-20a | 6.633-134.0 | 1 |
| 11 | Passschraube 6a/ Dowel Screw/ Boulon A Juste | 6.644-024.0 | 5 |
| 12 | Schraubkappe 25a/ Cap/ Capuchon | 6.644-031.0 | 5 |
| 13 | Sicherungssockel/ Fuse Mounting/ Support Trm 620 | 6.644-041.0 | 1 |
| 14 | Sicherungssockel/ Fuse Mounting/ Socle | 6.644-047.0 | 1 |
| 15 | Sicherung 2a Traeg/ Safety Device/ Fusible de Securite | 6.644-108.0 | 5 |
| 16 | Schuetz 24v 50hz/ Contactor/ Contacteur | 6.632-109.0 | 1 |
| 17 | Senkschraube M4x16/ Countersunk Screw/ Vis A Tete Fraisee | 7.305-023.0 ** | 2 |
| 17 | Senkschraube m 4x10/ Countersunk Screw/ Vis A Tete Fraisee | 7.305-024.0 * | 2 |
| 18 | Drucktaster/ Pushbutton/ Bouton-Poussoir | 6.634-028.0 | 1 |

* bis Werk-Nr.10050 ./ up du serial No.10050 ./ jusqu'au numero de fabrication N.10050

** ab Werk-Nr. 10051 ./ from serial No. 10050 ./ a'partir du numero de fabrication

Gruppe: 6 Elektroschrank
Group: 6 Electric controls box
Groupe: 6 Coffert électrique

HDS 200 ER

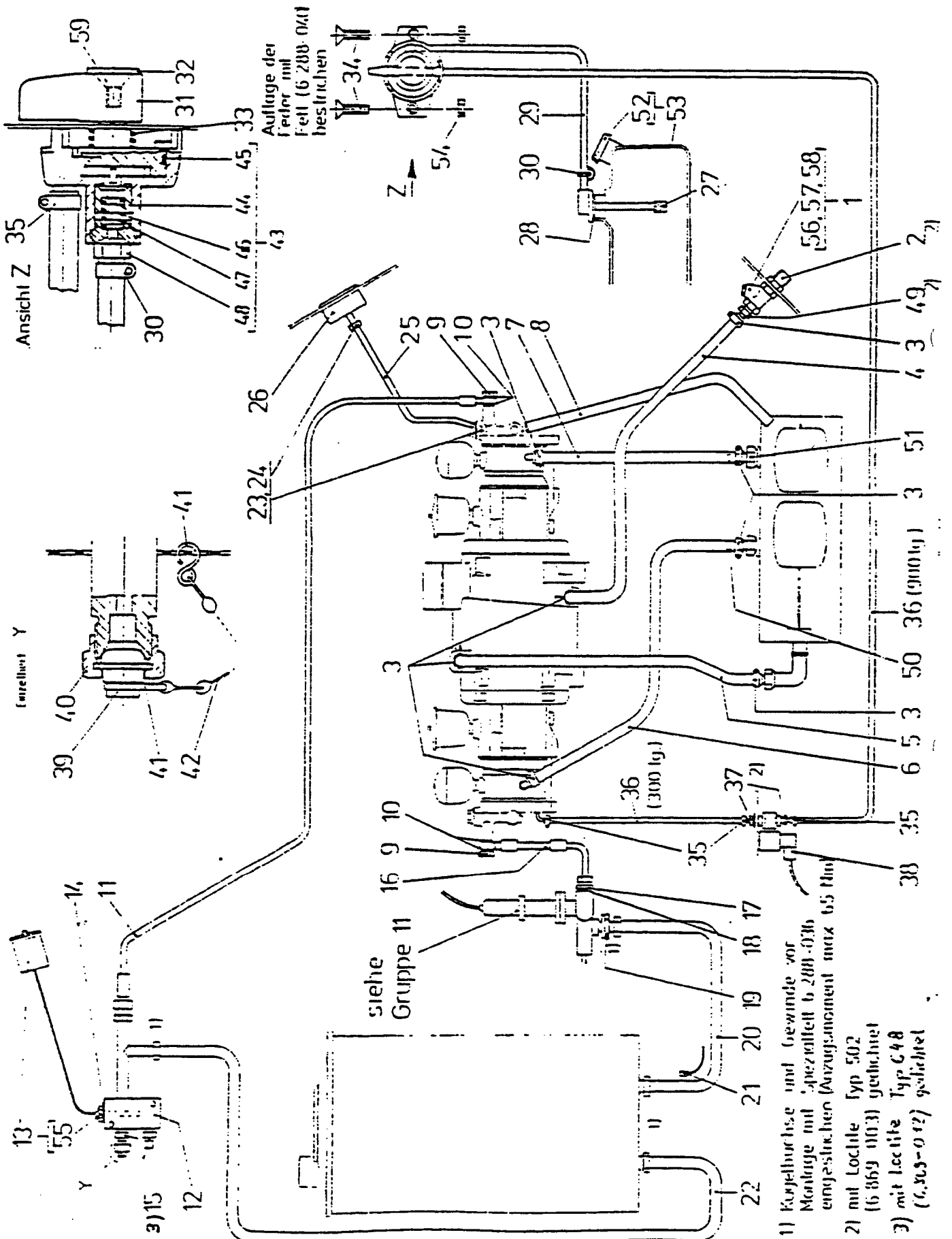
| Pos. | Benennung | Teile-Nr. | Stück |
|------|---|----------------|-------|
| Item | Description | Part-No. | Qty. |
| Pos. | Designation | No.piece | Nbr. |
| 19 | Gluehlampe/ Filament Lamp/ Lampe A Incandesc. | 6.651-075.0 | 1 |
| 20 | Leuchtdruckschalter/ Pressure Switch/ Boutonpoussoir d'etete | 6.631-214.0 | 1 |
| 21 | Anzeigeleuchte/ Pilot Lamp/ Lampe Temoin | 6.651-058.0 | 5 |
| 22 | Griff/ Handle/ Poignee | 5.321-021.0*** | 1 |
| 23 | Stopfen/ Plug/ Bouchon | 5.132-010.0*** | 1 |
| 24 | Schneidschr. M5x16/ Self-Tapping Screw/ Vis Autotaraudeuse | 6.303-005.0 | 4 |
| 25 | Faecherscheibe A5,1/ Serr. Lock Washer/ Disque En Eventail | 7.312-231.0 | 4 |
| 26 | G-Schmelzeinsatz 2a/ Melting Plug/ Bouchon Fusible | 6.644-052.0 * | 1 |
| 27 | 6kt-Mutter m 4/ Hexagon Nut m 4/ Ecrou Hex. m 4 | 7.311-001.0 | 4 |
| 28 | Zyl.schraube m 4x20/ Cheese-Head Screw/ Vis A Tete Cylindr. | 7.306-424.0 | 2 |
| 29 | Schalter/ Switch/ Interrupteur | 6.631-230.0 | 1 |
| 30 | Ue-Relais 0,63-1a/ / Relais Hds 200 | 6.633-203.0** | 1 |
| 31 | Traeger F.ue-Relais/ / Support Hds 200 | 6.633-204.0** | 1 |

* Teile sind im Ersatzteilset 2.880-248 (Gr.1 /Pos.64) erhalten
Parts included in spare parts kits No. 2.880-248(Gr.1/Pos.64) /
Pieces comprises dans le jeu de pieces rechange N.2.880-248 (Gr.1/Pos.64)

** ab Werk-Nr.10671 ./ from serial No. 10671 ./ a'partir du numero
de fabrication N.10671

*** bis Werk-Nr.10050 ./ up to serial No.10050 ./ jusqu'au du numero de
fabrication N.10050

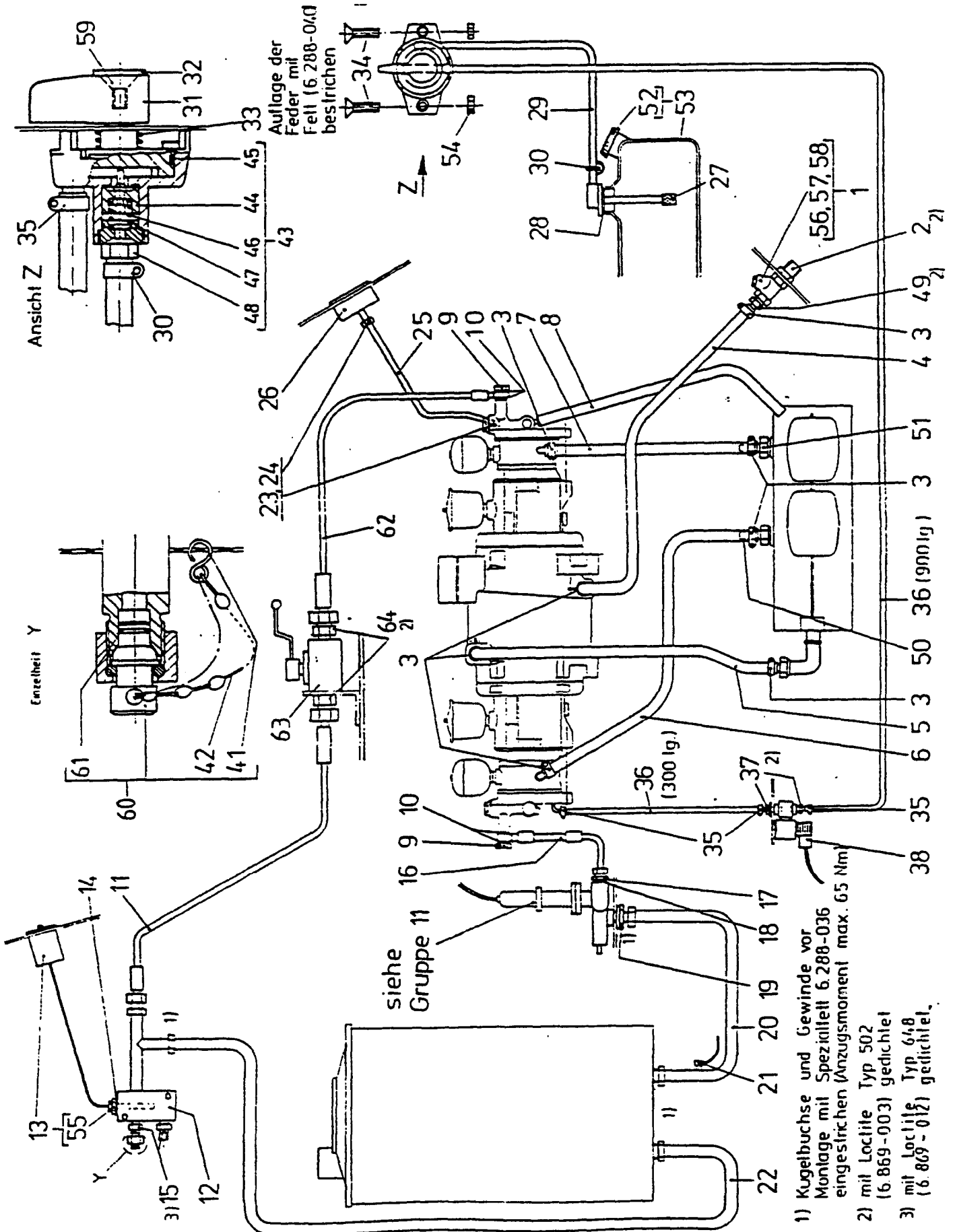
bis Werk-Nr./up to serial No./jusqu'au N^o de fabrication 10 050



Gruppe: 7 Leitungssystem Wasser
Group: 7 Water supply system
Groupe: 7 Circuit d'eau

HDS 200 ER

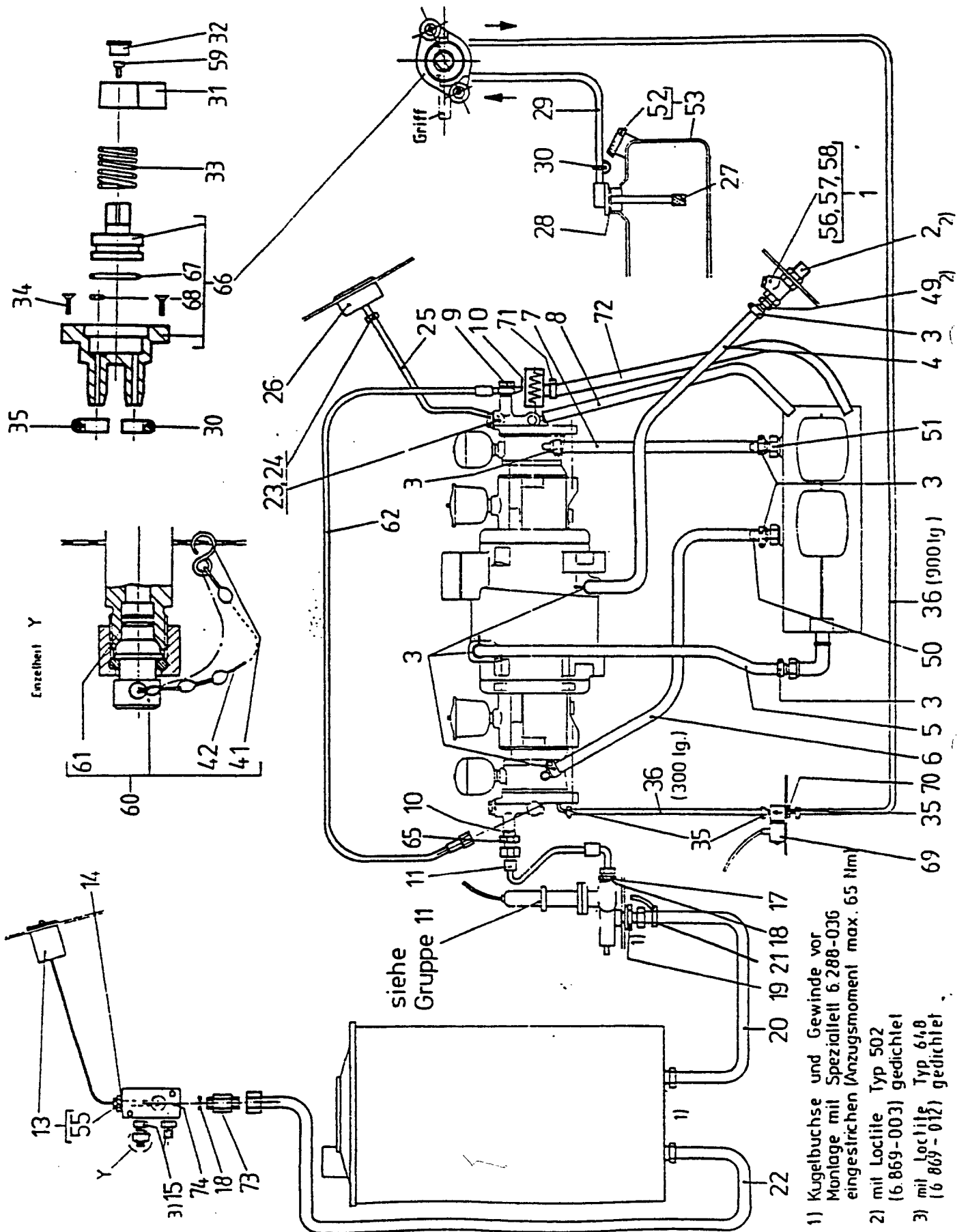
ab Werk-Nr./from serial No./à partir du N^o de fabrication 10 051



Gruppe: 7 Leitungssystem Wasser
 Group: 7 Water supply system
 Groupe: 7 Circuit d'eau

HDS 200 ER

ab Werk-Nr./from serial No./à partir du N° de fabrication 11 251

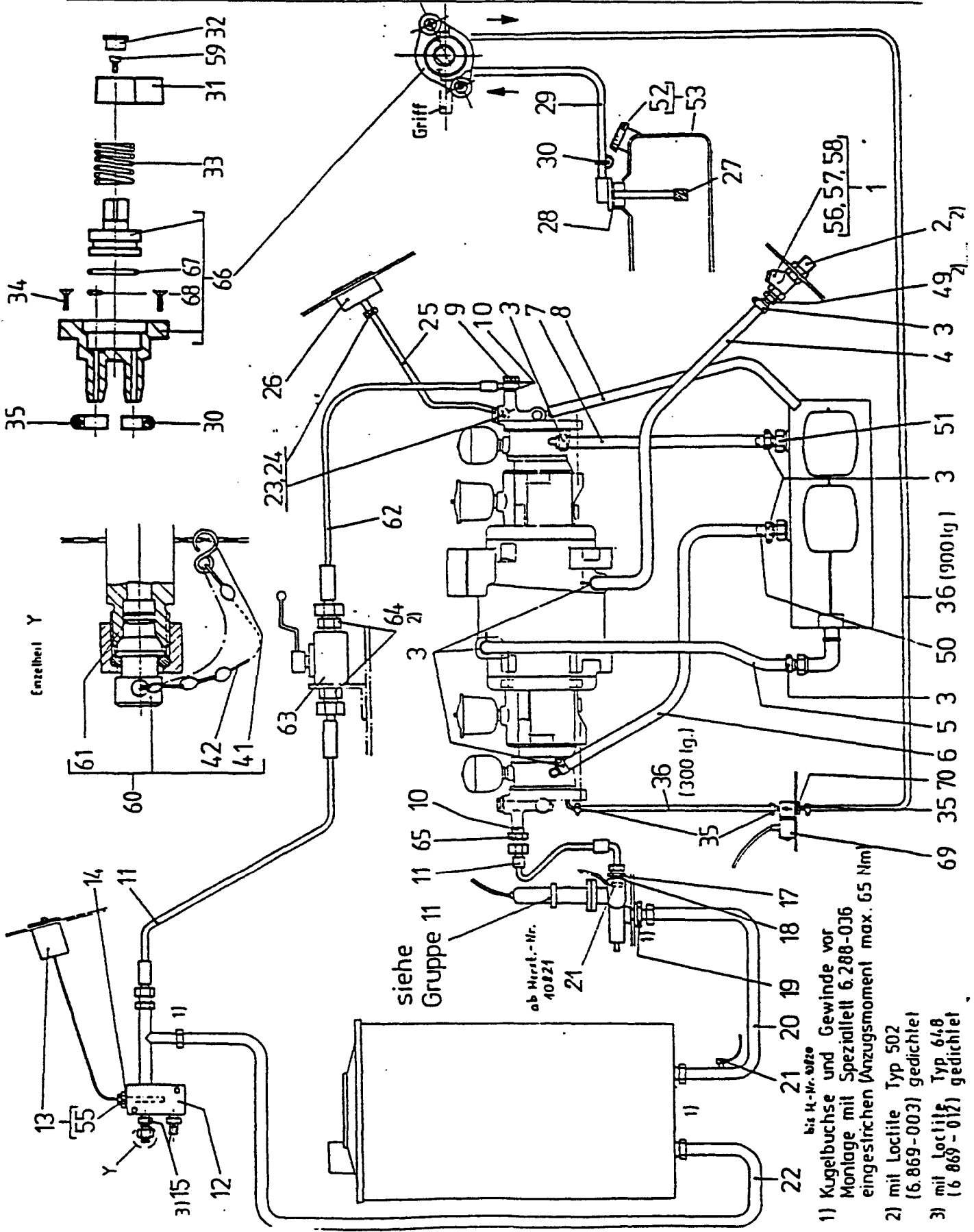


Gruppe: 7 Leitungssystem Wasser
 Group: 7 Water supply system
 Groupe: 7 Circuit d'eau

HDS 200 ER

ab Werk-Nr./from serial No./à partir du N° de fabrication 10 071

bis Werk-Nr./up to serial No./jusqu'au N° de fabrication 11 250



siehe Gruppe 11

ab Herst.-Nr. 10824

- 1) Kugelbuche und Gewinde vor Montage mit Spezialtoll 6.288-036 eingestrichen (Anzugsmoment max. 65 Nm)
- 2) mit Loctite Typ 502 (6.869-003) gedichtet
- 3) mit Loctite Typ 648 (6.869-012) gedichtet

Gruppe: 7 Leitungssystem Wasser
 Group: 7 Water supply system
 Groupe: 7 Circuit d'eau

HDS 200 ER

| Pos. | Benennung Item Description Pos. Designation | Teile-Nr. Part-No. No.piece | Stück Qty. Nbr. |
|------|---|-----------------------------------|-----------------------|
| 1 | Schmutzfaenger 3/4z/ Catch Pan/ Coll. D'impuretes | 6.414-002.0 | 1 |
| 2 | Einschraubt. R3/4z/ Inserted Piece/ Piece Inseree | 6.386-010.0 | 1 |
| 3 | Schl.schelle 20-32/ Hose Band Clip/ Collier de Serrage | 6.388-548.0 | 8 |
| 4 | Schlauchstueck/ Flexible Tube Piece/ Piece de Tuyau | 5.442-235.0 | 1 |
| 5 | Schlauchstueck/ Flexible Tube Piece/ Piece de Tuyau | 5.442-495.0 | 1 |
| 6 | Schl.kruemmer 20x4/ / Flexible | 6.388-332.0 | 1 |
| 7 | Schl.kruemmer 20x4/ / Flexible | 6.388-331.0 | 1 |
| 8 | Schlauchstueck/ Flexible Tube Piece/ Piece de Tuyau | 5.442-490.0 | 1 |
| 9 | Hohlschraube A8/ Banjo Bolt/ Boulon Creux | 7.386-345.0 | 2 |
| 10 | Dichtring A 14x18/ Joint Ring/ Anneau D'etancheite | 7.362-005.0 | 4 |
| 11 | Hd-Schl. Nw8 0,35m / Hp Hose Nw8 0,35m/ Flexible Hp Dn8 | 6.388-818.0 | 1 |
| 11 | Hd-Schl. Nw8 0,35m/ Hp Hose Nw8 0,35m/ Flexible Hp Dn8 | 6.388-837.0 | ** 1 |
| 12 | Mischer/ Mixer/ Distributeur | 4.633-009.0 | * 1 |
| 13 | Temp.regler 0-200/ Thermostat/ Thermostat | 6.685-396.0 | 1 |
| 14 | Dichtung/ Seal/ Joint | 7.362-023.0 | 1 |
| 15 | Doppelstutzen/ Double Socket/ Tuyau de Rallonge | 5.403-080.0 | 2 |
| 16 | Hd.schl. Nw8 0,4m/ Hp-Hose/ Tuyau Souple A Hp | 6.388-819.0 | *** 1 |
| 17 | Stutzen All 10x18/ / Raccord | 5.403-042.0 | 1 * |
| 17 | Stutzen All 10x18/ / Raccord | 7.386-477.0 | 1 **** |

* bis Werk-Nr. 10821 ./ up to serial No. 10821 ./
 jusqu'au numero de fabrication N.10821

** ab Werk-Nr.10051 ./ from serial No.10051 ./ a'partir du numero
 de fabrication 10051

*** bis Werk-Nr.10051 ./ up to serial No.10051 ./ jusqu'au numero de
 fabrication 10051

**** bis Werk-Nr.10821 ./ up to serial No.10821 ./ jusqu'au numero de
 fabrication 10821

Gruppe: 7 Leitungssystem Wasser
Group: 7 Water supply system
Groupe: 7 Circuit d'eau

HDS 200 ER

| Pos. | Benennung Item Description Pos. Designation | Teile-Nr. Part-No. No.piece | Stück Qty. Nbr. |
|------|--|-----------------------------------|-----------------------|
| 18 | Dichtring A 18x22/ Joint Ring/ Anneau D'etancheite | 7.362-009.0 | 1 |
| 19 | 6kt-Mutter M22x1,5/ Hexagon Nut M22x1,5/ Ecrou Hex. M22x1,5 | 7.311-155.0 | 1 |
| 20 | Rohrleitung/ Tube/ Conduite | 4.420-902.0 | 1 *** |
| 20 | Rohrleitung/ Tube/ Conduite | 4.421-053.0 | 1 **** |
| 21 | Temperaturwaechter/ Safety Thermostat/ Thermost Entre Serp | 6.685-395.0 | 1 |
| 21 | Temp.waechter/ Temp.controller/ Sonde | 6.685-710.0* | 1 |
| 22 | Rohrleitung/ Tube/ Conduite | 4.420-903.0 | 1 |
| 22 | Rohrleitung/ / Conduite Hp | 4.421-002.0** | 1 |
| 23 | Ueberwurfmutter/ Union Nut/ Ecrou-Raccord | 6.386-159.0 | 2 |
| 24 | Schneidring 6d/ Cutting Ring/ Bague Coupante | 6.386-160.0 | 2 |
| 25 | Leitungsrohr/ Conduit/ Conduit | 5.422-991.0 | 1 |
| 26 | Manometer 0-250 Bar/ Manometer/ Manometre | 6.421-075.0 | 1 |
| 27 | Filter/ Filter/ Filtre | 6.414-134.0 | 1 |
| 28 | O-Ring 20-3/ O-Ring/ Joint Torique | 6.362-105.0 | 1 |
| 29 | Schlauch Nw 7/ Flexible Tube/ Tuyau Flexible | 6.388-225.0 | 1 |
| 30 | Schlauchselle/ Hose Band Clip/ Collier de Serrage | 6.388-559.0 | 2 |
| 31 | Griff/ Handle/ Poignee | 5.321-023.0 | 1 |
| 32 | Stopfen/ Plug/ Bouchon | 5.132-010.0 | 1 |

* ab Werk-Nr.10821./ from serial No.10821 ./ a'partir du numero de fabrication N.10821

** ab Werk-Nr.11251 ./ from serial No.11251 ./ a'partir du numero de fabrication N.11251

*** bis Werk-Nr.12250./ up to serial No. 12250./ jusqu'au du numero de fabrication N.12250

**** ab Werk-Nr.12251./ from serial No. 12251./ a'partir du numero de fabrication N.12251

Gruppe: 7 Leitungssystem Wasser
Group: 7 Water supply system
Groupe: 7 Circuit d'eau

HDS 200 ER

| Pos. | Benennung | Teile-Nr. | Stück |
|------|---|----------------|-------|
| Item | Description | Part-No. | Qty. |
| Pos. | Designation | No.piece | Nbr. |
| 33 | Schraubenfeder/ Coil Spring/ Ressort A Boudin | 5.332-028.0 | 1 |
| 34 | Senkschraube M4x10/ Countersunk Screw/ Vis A Tete Fraisee | 6.305-001.0 | 2 |
| 35 | Schl.schelle 13/9/ Hose Band Clip/ Collier de Serrage | 6.388-550.0 | 4 |
| 36 | Schlauch Nw7/ Flexible Tube/ Tuyau Flexible | 6.388-194.0 | 1 |
| 37 | Schlauchnippel/ Hose Stem/ Raccord Pour Tuyau | 5.443-206.0 | 2 |
| 38 | Magnetventil/ Solenoid Valve/ Electrovanne | 6.685-093.0 | 1 |
| 39 | Dichtkegel/ Conical Nipple/ Bague Bicone | 5.424-026.0* | 1 |
| 40 | Ue-Mutter M22x1,5/ Union Nut/ Ecrou-Raccord | 7.383-113.0* | 1 |
| 41 | S-Haken/ S-Hook/ Crochet | 6.432-004.0** | 1 |
| 41 | S-Haken/ S-Hook/ Crochet | 6.432-004.0* | 2 |
| 42 | Kette 0,32 m/ Chain/ Chaine | 5.264-009.0** | 1 |
| 42 | Kette 0,32m / Chain / Chaine | 5.264-014.0 | 1 |
| 43 | Ventil/ Valve/ Vanne Detergent | 4.580-067.0 | 1 |
| 44 | Ventilbolzen/ Valve Pin/ Axe de Soupape | 5.584-028.0 | 1 |
| 45 | O-Ring 42x2,5/ O-Ring/ Joint Torique | 6.362-382.0*** | 1 |
| 46 | Schraubenfeder/ Coil Spring/ Ressort A Boudin | 5.332-076.0 | 1 |
| 47 | O-Ring 14-1,78/ O-Ring/ Joint Torique | 6.362-395.0 | 1 |
| 48 | Ventilstutzen/ Valve Socket/ Raccord de Soupape | 5.586-014.0 | 1 |
| 49 | Schl.nippel 3/4z/ Hose Stem/ Raccord Pour Tuyau | 6.388-612.0 | 1 |

* bis Werk-Nr.10050 ./ up to serial No. 10050 ./ jusqu'au numero de fabrication N.10050

** ab Werk.Nr.10051 ./ from serial No.10051 ./ a'partir du numero de fabrication N.10051

*** Teile sind im Ersatzteilset 2.880-154 (Gr.1/Pos.64) enthalten /
Parts included in spare parts kits 2.880-154 (Gr.1 /Pos.64)
Pieces comprises dans le jeu de pieces rechange 2.880-154 (Gr.1/Pos.64)

Gruppe: 7 Leitungssystem Wasser
Group: 7 Water supply system
Groupe: 7 Circuit d'eau

HDS 200 ER

| Pos. | Benennung Item Description Pos. Designation | Teile-Nr. Part-No. No.piece | Stück Qty. Nbr. |
|------|---|-----------------------------------|-----------------------|
| 50 | Schlauchtuelle 3/4z/ Hose Nozzle/ Olive | 6.388-426.0 | 2 |
| 51 | Ue.mutter 1z/ Union Nut/ Ecrou-Raccord | 6.386-231.0 | 2 |
| 52 | Schraubdeckel/ Screw Cap/ Bouchon Filete | 6.392-026.0 | 1 |
| 53 | Tank Mit Deckel/ Tank With Cover/ Reservoir Et Couv. | 5.071-012.0 | 1 |
| 54 | 6kt-Mutter m 4/ Hexagon Nut m 4/ Ecrou Hex. m 4 | 7.311-001.0 | 2 |
| 55 | Schraubstutzen/ Screw Socket/ Manchon Filete | 6.685-372.0 | 1 |
| 56 | Dichtung R3/4z/ Seal/ Joint | 6.414-005.0 | 1 |
| 57 | Sieb F.schmutzf./ Strainer/ Passoir | 6.414-007.0 | 1 |
| 58 | Stopfen/ Plug/ Bouchon | 6.414-009.0 | 1 |
| 59 | Senkschraube M4x18/ Countersunk Screw/ Vis A Tete Fraisee | 7.305-025.0* | 1 |
| 59 | Senkschraube M4x18 / Countersunk Screw/ Vis A Tete Fraisee | 7.305-023.0 | 1 |
| 60 | Verschlussmutter/ Screw Plug/ Vis de Fermeture | 4.412-004.0** | 1 |
| 61 | O-Ring-Set/ O-Ring Set/ Jeu de Joint Tor. | 2.880-154.0** | 1 |
| 62 | Hd-Schl. Nw8 0,93m/ Hp-Hose/ Tuyau Souple A Hp | 6.388-836.0** | 1 |
| 63 | Kugelhahn 3/8 z/ Ball Valve/ Rob.a Boiss.spher. | 6.412-367.0** | 1 |
| 64 | Schraubstutzen/ Screw Socket/ Manchon Filete | 5.402-304.0** | 2 |
| 65 | Schr.stutzen All10/ Screw Socket/ Manchon Filete | 7.386-474.0* | 1 |
| 66 | Ventil/ Valve/ Soupape | 4.580-064.0* | 1 |
| 67 | O Ring 26-2,5/ O-Ring/ Joint Torique | 6.362-385.0* | 1 |
| 68 | O Ring 5-1,5/ O-Ring/ Joint Torique | 6.362-386.0* | 1 |
| 69 | Magnetvent. Nw4 24v/ Solenoid Valve/ Electrovanne | 6.685-195.0* | 1 |
| 70 | 6kt-Mutter/ / Ecrou Hexagonal | 5.311-093.0* | 1 |

* ab Werk-Nr.10671 ./ from serial No,10671 ./ a'partir du numero de fabrication N.10671

** ab Werk-Nr.10051 ./ from serial No.10051 ./ a'partir du numero de fabrication N.10051

Gruppe: 7 Leitungssystem Wasser
Group: 7 Water supply system
Groupe: 7 Circuit d'eau

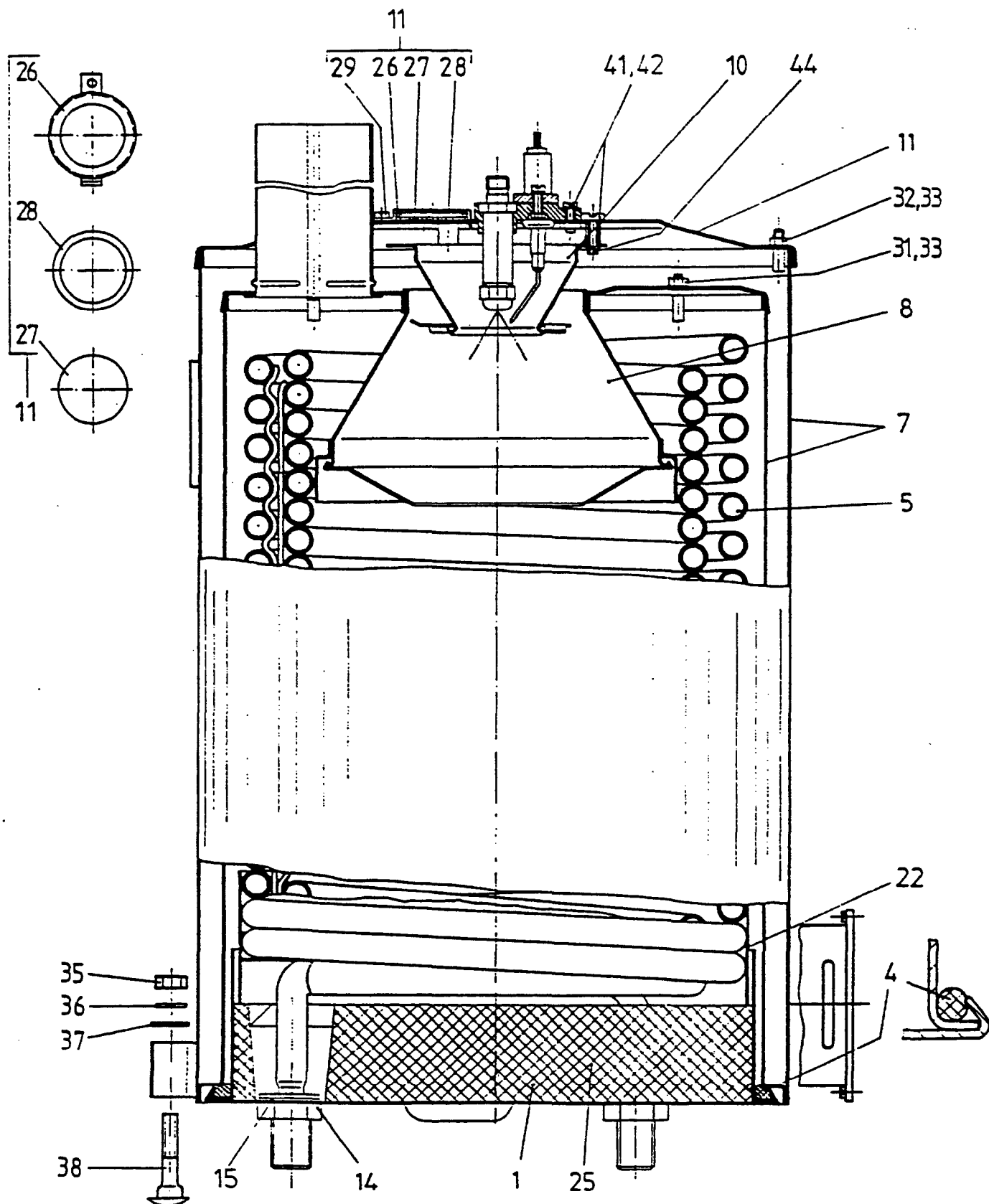
HDS 200 ER

| Pos. | Benennung | Teile-Nr. | Stück |
|------|---|----------------|-------|
| Item | Description | Part-No. | Qty. |
| Pos. | Designation | No.piece | Nbr. |
| 71 | Schl.schelle 12-20/ Hose Band Clip/ Collier de Serrage | 6.388-546.0*** | 1 |
| 72 | Schlauchstueck/ / Flexible | 5.442-540.0*** | 1 |
| 73 | Doppelstutzen/ / Raccord Hp | 5.403-108.0*** | 1 |
| 74 | Gehaeuse/ / Boitier | 5.060-243.0*** | 1 |

*** ab Werk-Nr.11251 ./ from serial No.11251 ./ a'partir du numero
de fabrication N.11251

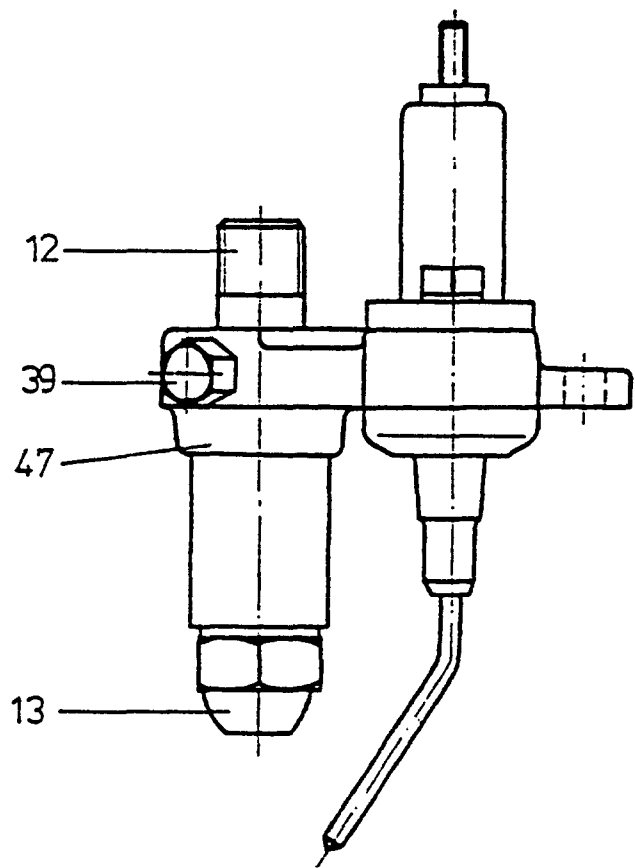
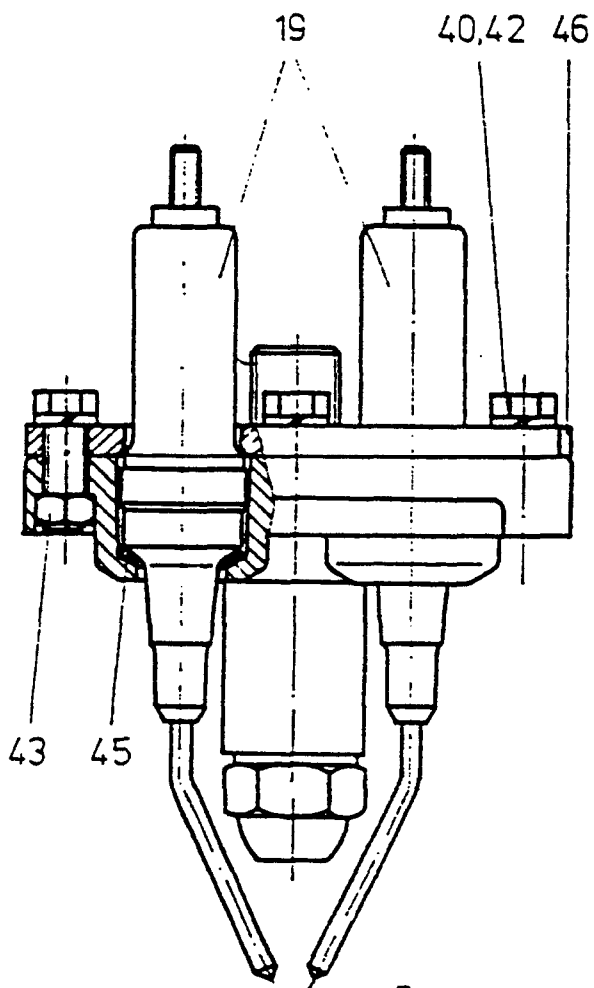
Gruppe: 8 Durchlauferhitzer
Group: 8 Flow heater
Groupe: 8 Chauffe-eau rapide

HDS 200 ER



Gruppe: 8 Durchlauferhitzer
Group: 8 Flow heater
Groupe: 8 Chauffe-eau rapide

HDS 200 ER



Gruppe: 8 Durchlauferhitzer
Group: 8 Flow heater
Groupe: 8 Chauffe-eau rapide

HDS 200 ER

| Pos. | Benennung Item Description Pos. Designation | Teile-Nr. Part-No. No.piece | Stück Qty. Nbr. |
|------|--|-----------------------------------|-----------------------|
| 1 | Boden D.k./ Bottom/ Fond | 4.655-043.0 | 1 |
| 4 | Dichtschnur D 10/ Seal String/ Cordon du Joint | 6.366-011.0 | 1 |
| 5 | Heizschlange/ Heating Coil/ Serpentin | 4.680-056.0 | 1 |
| 7 | Aussenmantel/ Outer Jacket/ Enveloppe | 4.652-054.0 | 1 |
| 8 | Brennereinsatz/ Burner Insert/ Accroche Flamme | 4.663-059.0 | 1 |
| 10 | Brennereinsatz/ Burner Insert/ Cone de Combustion | 4.663-058.0 | 1 |
| 11 | Deckel D.k./ Cover/ Couvercle | 4.654-073.0 | 1 |
| 12 | Duesenhalter/ Nozzle Holder/ Porte-Tuyeres | 5.667-021.0 | 1 |
| 13 | Duese 2,5 Gph 60g H/ Nozzle/ Tuyere | 6.415-088.0 * | 1 |
| 14 | 6kt-Mutter M22x1,5/ Hexagon Nut M22x1,5/ Ecrou Hex. M22x1,5 | 7.311-155.0 | 2 |
| 15 | Profildichtung/ Profile Seal/ Joint Profilee | 5.365-068.0 | 2 |
| 19 | Et-Set Zuendelektr./ Ignit. Electrode/ 2elect.allumage Hds | 2.880-177.0 * | 1 |
| 22 | Zarge/ Notch/ Chassis | 5.012-200.0 | 1 |
| 25 | Stampfmasse/ Refractory/ Ciment | 6.286-016.0 | 8 |
| 26 | Blech/ Sheet Metal/ Tole | 5.000-590.0 | 1 |
| 27 | Glasscheibe/ Glass Pane/ Vitre | 6.278-014.0 | 1 |
| 28 | Flachdichtung/ Flat Packing/ Garniture Plate | 5.364-100.0 | 1 |
| 29 | Blechschr.b 3,5x 6,5/ Sheet Metal Screw/ Vis A Tole | 7.303-012.0 | 1 |
| 31 | 6kt-Mutter m 6/ Hexagon Nut m 6/ Ecrou Hex. m 6 | 7.311-039.0 | 6 |
| 32 | Hutmutter m 6/ Cap Nut/ Ecrou Borgne | 7.311-380.0 | 4 |
| 33 | Federring b 6/ Spring Washer/ Rondelle Grower | 7.313-003.0 | 10 |

* Teile sind im Ersatzteilset 2.880-154 (Gr.1/Pos.64) enthalten /
Parts included in spare parts kits 2.880-154 (Gr.1/Pos.64) /
Pieces comprises dans le jeu de pieces rechange 2.880-154 (Gr.1/Pos.64)

Gruppe: 8 Durchlauferhitzer
Group: 8 Flow heater
Groupe: 8 Chauffe-eau rapide

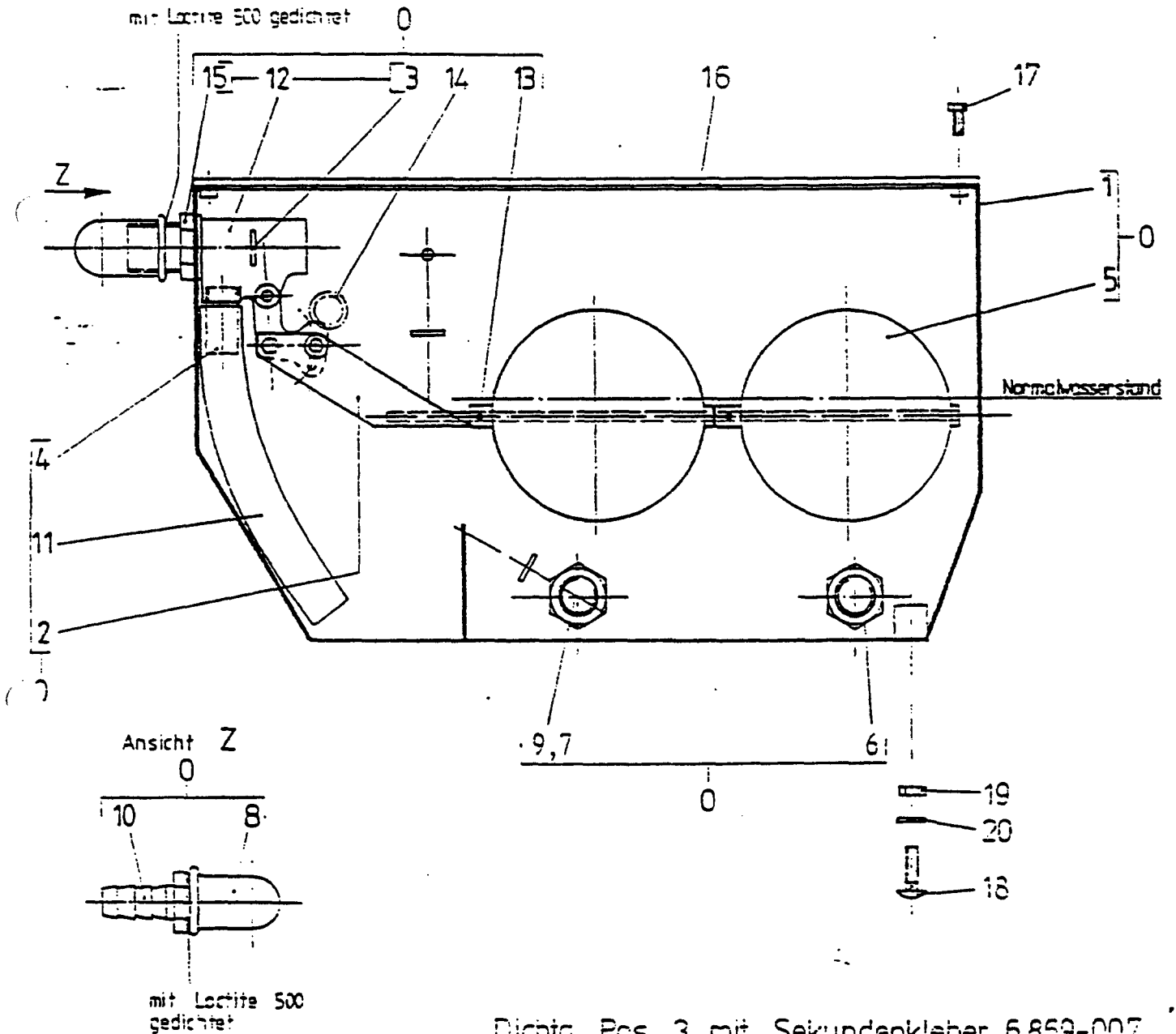
HDS 200 ER

| Pos. | Benennung Item Description Pos. Designation | Teile-Nr. Part-No. No.piece | Stück Qty. Nbr. |
|------|--|-----------------------------------|-----------------------|
| 35 | 6kt-Mutter m 10/ Hexagon Nut M10/ Ecrou Hex. M10 | 7.311-006.0 | 3 |
| 36 | Federring b 10/ Spring Washer/ Rondelle Grower | 7.313-005.0 | 3 |
| 37 | Scheibe b 10,5/ Disk/ Disque | 7.312-005.0 | 3 |
| 38 | Fl.rd.schr. M10x60/ Screw/ Vis | 7.303-152.0 | 3 |
| 39 | 6kt-Schraube M5x12/ Hex. Head Cap Screw/ Boulon A Six Pans | 7.304-371.0 | 1 |
| 40 | 6kt-Schraube M5x16/ Hex. Head Cap Screw/ Boulon A Six Pans | 7.304-372.0 | 3 |
| 41 | Zyl.schraube m 5x16/ Cheese-Head Screw/ Vis A Tete Cylindr. | 7.306-441.0 | 6 |
| 41 | Zyl.schraube m 5x16/ Cheese-Head Screw/ Vis A Tete Cylindr. | 7.306-441.0 | 6 |
| 42 | Federring b 5/ Spring Washer b 5/ Rondelle Grower b 5 | 7.313-002.0 | 9 |
| 43 | 6kt-Mutter m 5/ Hexagon Nut m 5/ Ecrou Hex. m 5 | 7.311-037.0 | 3 |
| 44 | 6kt-Mutter m 5/ Hexagon Nut m 5/ Ecrou Hex. m 5 | 7.311-002.0 | 3 |
| 45 | Dichtring C 12x16/ Joint Ring/ Anneau D'etancheite | 7.362-419.0 | 2 |
| 46 | Lasche/ Bracket/ Bras Support | 5.004-228.0 | 1 |
| 47 | Kerzenhalter/ Spark.plug Support/ Appui Bougie D'all. | 5.668-001.0 | 1 |

Gruppe: 9 Schwimmerventil
Group: 9 Float valve
Groupe: 9 Soupape a flotteur

HDS 200 ER

bis werk-Nr./up to serial No./jusqu'au N° de fabrication 10 030

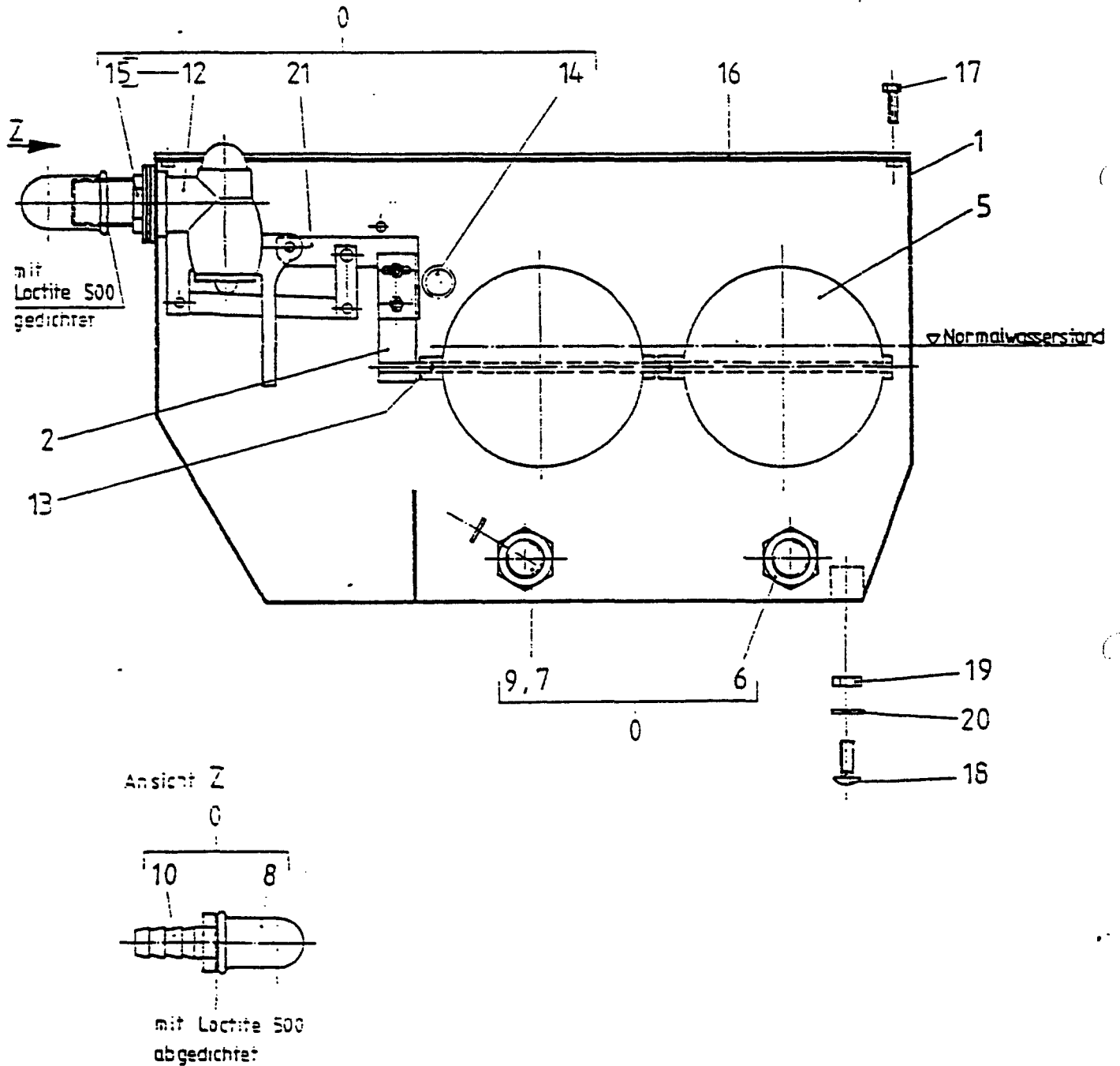


Dichtg. Pos. 3 mit Sekundenkleber 6.869-007 eingeklebt. Befestigungsschraube der Dichtung leicht angezogen und mit Loctite 500 (6.869-002) gesichert.

Gruppe: 9 Schwimmerventil
Group: 9 Float valve
Groupe: 9 Soupape a flotteur

HDS 200 ER

ab Werk-nr./from serial No./à partir du N° de fabrication 10 031



Gruppe: 9 Schwimmerventil
Group: 9 Float valve
Groupe: 9 Soupape a flotteur

HDS 200 ER

| Pos. | Benennung Item Description Pos. Designation | Teile-Nr. Part-No. No.piece | Stück Qty. Nbr. |
|------|---|-----------------------------------|-----------------------|
| 0 | Schwimmerventil/ Float Valve/ Soupape A Flotteur | 3.593-050.0 | 1 |
| 1 | Behälter/ Receptacle/ Recipient | 4.070-085.0 | 1 |
| 2 | Hebel/ Lever/ Levier | 4.481-009.0 | 1 |
| 2 | Hebel/ Lever/ Levier | 4.481-023.0** | 1 |
| 3 | Flachdichtung/ Flat Packing/ Garniture Plate | 5.364-089.0* | 1 (²) |
| 4 | Schlauchnippel/ Hose Stem/ Raccord Pour Tuyau | 5.443-046.0* | 1 |
| 5 | Schwimmer/ Float/ Flotteur | 5.585-002.0 | 2 |
| 6 | 6kt-Mutter R1/2 z/ Hexagon Nut/ Ecrou Hexagonal | 6.310-004.0 | 2 |
| 7 | Dichtring 21x30x2/ Joint Ring/ Anneau D'etancheite | 6.362-015.0 | 2 |
| 8 | Winkel 3/4z/ Angle/ + Equerre | 6.387-465.0 | 1 |
| 9 | Schraubstutzen/ Screw Socket/ Manchon Filete | 5.402-274.0 | 2 |
| 10 | Schl.nippel 3/4z/ Hose Stem/ Raccord Pour Tuyau | 6.388-612.0 | 1 |
| 11 | Schlauchstueck/ Flexible Tube Piece/ Piece de Tuyau | 5.442-279.0* | 1 |
| 12 | Schwimmerventil/ Float Valve/ * Soupape | 4.593-014.0 | 1 |
| 12 | Schwimmerventil/ Float Valve/ Soupape A Flotteur | 6.412-762.0** | 1 |
| 13 | Splint 1,5x15/ Split-Pin/ Goupille | 7.316-431.0 | 2 |
| 14 | Verschlussstopfen/ Drain Plug/ Bande D'evier | 6.368-050.0 | 1 |
| 15 | Gegenmutter 3/4z/ Counternut/ Contre-Ecrou | 6.386-207.0 | 1 |
| 16 | Deckel/ Cover/ Couvercle | 4.063-111.0 | 1 |
| 16 | Deckel/ Cover/ Couvercle | 5.063-201.0** | 1 |

* bis Werk-Nr.10030 / up to serial No.10030 / jusqu'au numero de fabricarion N.10030

** ab Werk-Nr. 10031 / from serial No.10031 / a'partir du numero de fabrication N.10031

(²) Teile sind im Ersatzteilset 2.880-154 (Gr.1/Pos.64) /Parts included in spare parts kits 2.880-154 (Gr.1/Pos.64) /Pieces comprises dans le jeu de pieces rechange 2.880-154 (Gr.1/Pos.64)

Gruppe: 9 Schwimmerventil
Group: 9 Float valve
Groupe: 9 Soupape a flotteur

HDS 200 ER

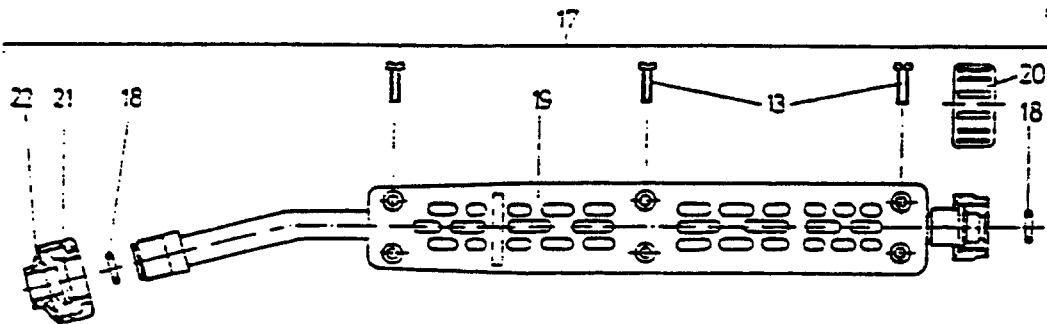
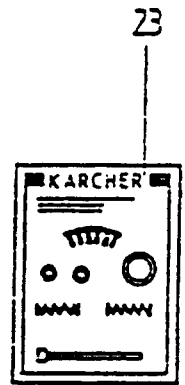
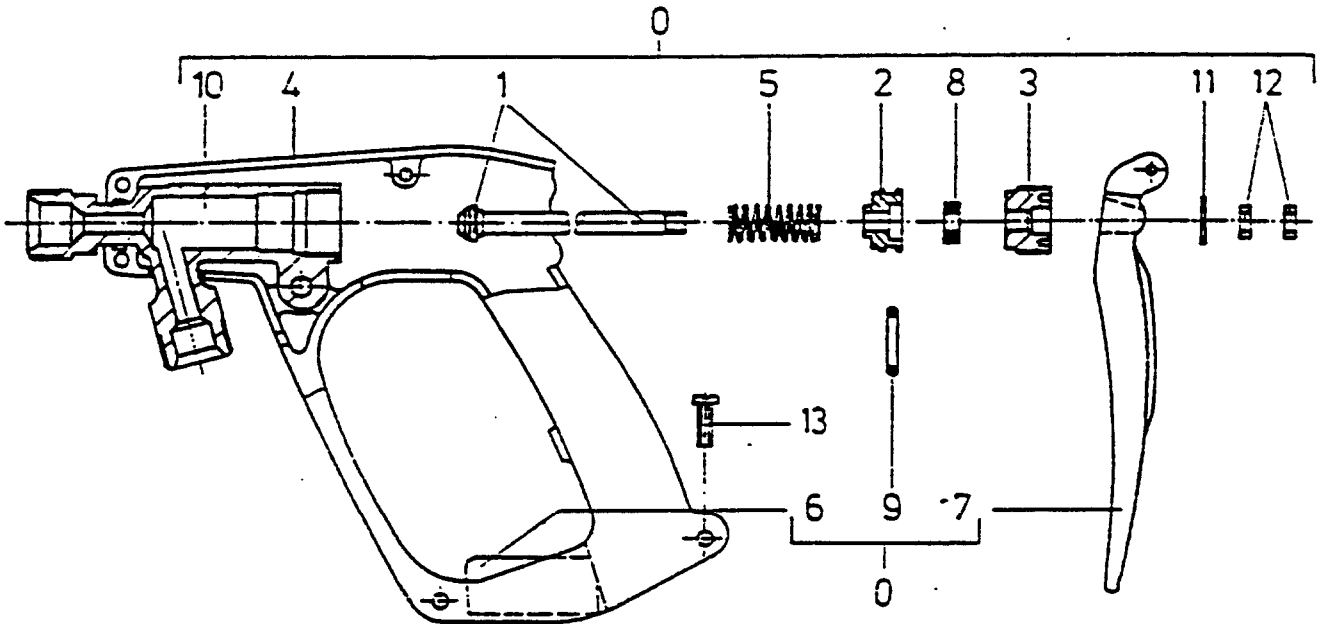
| Pos. | Benennung Item Description Pos. Designation | Teile-Nr. Part-No. No.piece | Stück Qty. Nbr. |
|------|---|-----------------------------------|-----------------------|
| 17 | 6kt-Schr. m 5x 10/ Hex. Screw M5x10/ Boulon A Six Pans | 7.304-539.0 | 2 |
| 18 | Fl.rd.schr.m6x16/ Screw/ Vis | 7.303-160.0 | 2 |
| 19 | 6kt-Mutter m 6/ Hexagon Nut m 6/ Ecrou Hex. m 6 | 7.311-003.0 | 2 |
| 20 | Federring b 6/ Spring Washer/ Rondelle Grower | 7.313-003.0 | 2 |
| 21 | Blechteil/ Sheet Metal/ Piece En Tole | 5.040-092.0** | 1 |

** ab Werk-Nr.10031 / from serial No.10031 / a'partir du numero
de fabrication 10031

Gruppe: 10 Handspritzpistole und Stahlrohr
Group: 10 Trigger gun and lance
Groupe: 10 Pistolet et lance

HDS 200 ER

bis Werk-Nr. ./ up to serial No. ./ jusqu'au numero de fabrication N.12050



Gruppe: 10 Handspritzpistole und Stahlrohr
Group: 10 Trigger gun and lance
Groupe: 10 Pistolet et lance

HDS 200 ER

bis Werk-Nr. ./ up to serial No. ./ jusqu'au numero de fabrication N.12050

| Pos. | Benennung | Teile-Nr. | Stück |
|------|---|---------------|-------|
| Item | Description | Part-No. | Qty. |
| Pos. | Designation | No.piece | Nbr. |
| 0 | Handspritzpistole/ Trigger Gun/ Poignee-Pistolet | 4.775-020.0 | |
| 1 | Ventilsitz/ Valve Seat/ Siege de Soupape | 4.581-010.0 * | 1 (²) |
| 2 | Huelse/ Pod/ Douille | 5.110-194.0 | 1 |
| 3 | Formschraube/ Special Screw/ Vis de Forme | 5.305-075.0 | 1 |
| 4 | Griff-Paar/ Grip Pair/ Paire de Poignees | 5.321-040.0 | 1 |
| 5 | Schraubenfeder/ Coil Spring/ Ressort A Boudin | 5.332-050.0 | 1 |
| 6 | Hebel/ Lever/ Levier | 5.481-020.0 | 1 |
| 7 | Hebel/ Lever/ Levier | 5.481-030.0 | 1 |
| 8 | Lippenring/ Lip Ring/ Joint A Levre | 6.365-041.0 * | 1 (²) |
| 9 | O-Ring 15-2,5/ O-Ring/ Joint Torique | 7.362-504.0 * | 1 (²) |
| 10 | Knotenstueck/ Strut Attach. Fitt./ Ferrure Nodale | 5.427-029.0 | 1 |
| 11 | Scheibe/ Disk/ Disque | 5.115-187.0 | 1 |
| 12 | 6kt-Mutter m 4/ Hexagon Nut m 4/ Ecrou Hex. m 4 | 7.311-036.0 | 2 |
| 13 | Schraube 4,2x16/ Screw 4,2 X 16/ Vis 4,2 X 16 | 6.303-025.0 | 6 |
| 17 | Strahlrohr/ Jet Tube/ Lance D'incendie | 4.760-058.0 | 1 |
| 17 | Strahlrohr/ Jet Tube/ Lance D'incendie | 4.760-048.0 | 1 |
| 17 | Strahlrohr/ Jet Tube/ Lance D'incendie | 4.760-049.0 | 1 |
| 17 | Strahlrohr/ Jet Tube/ Lance D'incendie | 4.760-052.0 | 1 |
| 18 | O-Ring-Set/ O-Ring Set/ Jeu de Joint Tor. | 2.880-154.0 * | 1 |
| 19 | Griff/ Handle/ Poignee | 5.321-020.0 | 2 |
| 19 | Griff/ Handle/ Poignee | 5.321-102.0 | 2 |
| 20 | Schutzteil/ Protection Part/ Piece de Protection | 5.394-050.0 | 1 |

Gruppe: 10 Handspritzpistole und Stahlrohr
Group: 10 Trigger gun and lance
Groupe: 10 Pistolet et lance

HDS 200 ER

bis Werk-Nr. ./ up to serial No. ./ jusqu'au numero de fabrication N.12050

| Pos. | Benennung Item Description Pos. Designation | Teile-Nr. Part-No. No.piece | Stück Qty. Nbr. |
|------|---|-----------------------------------|-----------------------|
| 21 | Ue-Mutter M18x1,5/ Union Nut/ Ecrou-Raccord | 6.386-235.0 | 1 |
| 22 | Schutzteil/ Protection Piece/ Piece de Protection | 5.394-049.0 * | 1 |
| 23 | Et-Set Handspritzpi/ Trigger Gun Set/ Jeu de Pistolet | 2.880-173.0 | |

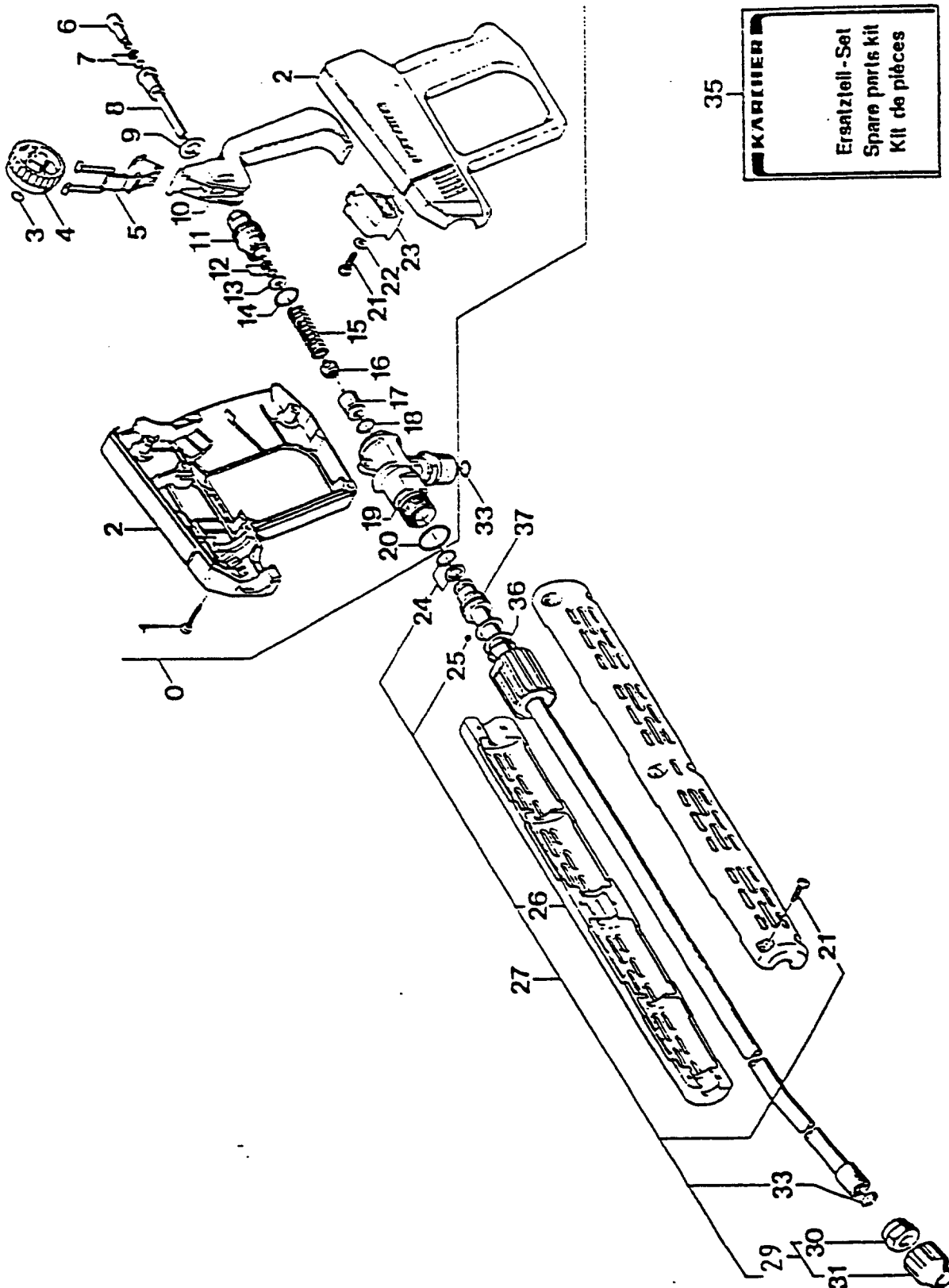
* Teile sind im Ersatzteilset 2.880-154 (Gr.1/Pos.64) enthalten /
Parts included in spare parts kits 2.880-154 (Gr.1/Pos.64) /
Pieces comprises dans le jeu de pieces rechange 2.880-154 (Gr.1/Pos.64)

(²) Teile sind im Ersatzteilset Pos.23 enthalten / Parts included in spare
parts kits Pos.23 / Pieces comprises dans le jeu de pieces rechange Pos.23

Gruppe: 10 Handspritzpistole mit Stahlrohr
Group: 10 Trigger gun and lance
Groupe: 10 Lance Pistolet et lance

HDS 200 ER

ab Werk-Nr. ./ from serial ./ a'partir du numero de fabrication N.12051



GRUPPE: 10 HS-PISTOLE-U.S-ROHR
GROUP: 10 TRIGGER GUN AND SPRAY LAN
GROUPE: 10 POIGNEE PISTOLET ET LANCE

ETL HDS 200 E

AB WERKNR. FROM SER NO/ A PARTIR DU NO.DE FABR

12051

| POS. BENENNUNG ITM. DESCRIPTION POS. DESIGNATION | TEILE-NR. PART-NO. NO.PIECE | STCK QTY. NBR. |
|--|-----------------------------------|----------------------|
| 0 HANDSPRITEPISTOLE/ TRIGGER GUN/ POIGNEE PISTOLET/ | 4.775-026.0 | 1 |
| 1 LINSENSCHR. 4,2X22/ OVAL HEAD SCREW/ VIS A TETE BOMBEE/ | 6.303-024.0 | 8 |
| 2 GRIFFPAAR: HANDLES/ BRANCHES POIGNEE/ | 5.321-174.0 | 1 |
| 3 O-RING 6,07X 1,75/ GASKET/ BAQUE D'ETANCHEITE/ | 6.362-176.0 | 1 |
| 4 HANDRAD/ HAND WHEEL/ VOLANT/ | 5.322-006.0 | 1 |
| 5 FORMTEIL/ MOULDED PART/ PREFORME/ | 5.030-283.0 | 1 |
| 6 KOLBEN/ PISTON/ PISTON/ | 5.553-118.0 | 1 |
| 7 O-RING KPL./1ST.-R./ GASKET/ BAQUE D'ETANCHEITE/ | 6.362-477.0 | 1 |
| 8 STANGE: BAR/ TIGE/ | 5.107-062.0 | 1 |
| 9 SCHEIBE/ WASHER/ RONDELLE/ | 5.115-227.0 | 1 |
| 10 HEBEL/ LEVER/ LEVIER/ | 5.481-039.0 | 1 |
| 11 FORMSCHRAUBE/ SCREW/ VIS/ | 5.305-110.0 | 1 |
| 12 O-RING KPL./1ST.-R./ GASKET/ BAQUE D'ETANCHEITE/ | 6.362-468.0 | 1 |
| 13 SCHEIBE/ WASHER/ RONDELLE/ | 5.115-260.0 | 1 |
| 14 O-RING 12,42X 1,78/ GASKET/ BAQUE D'ETANCHEITE/ | 6.362-478.0 | 1 |
| 15 SCHRAUBENFEDER/ HELICAL SPRING/ RESSORT CYLINDRIQUE/ | 5.332-140.0 | 1 |
| 16 VENTILSITZ: VALVE SEAT/ SIEGE DE SOUPAPE/ | 4.581-049.0 | 1 |
| 17 HUELSE SLEEVE/ DOUILLE/ | 5.110-348.0 | 1 |
| 18 O-RING 7,59X 2,62/ GASKET/ BAQUE D'ETANCHEITE/ | 6.362-479.0 | 1 |
| 19 KNOTENSTUECK. MANIFOLD/ FERRURE NODALE/ | 5.427-079.0 | 1 |
| 20 O-RING 17,12X 2,62/ GASKET/ BAQUE D'ETANCHEITE/ | 6.362-496.0 | 1 |

GRUPPE: 10 HS-PISTOLE-U.S-ROHR
GROUP: 10 TRIGGER GUN AND SPRAY LAN
GROUPE: 10 POIGNEE PISTOLET ET LANCE

ETL HDS 200 E

AB WERKNR/ FROM SER NO. A PARTIR DU NO.DE FABR

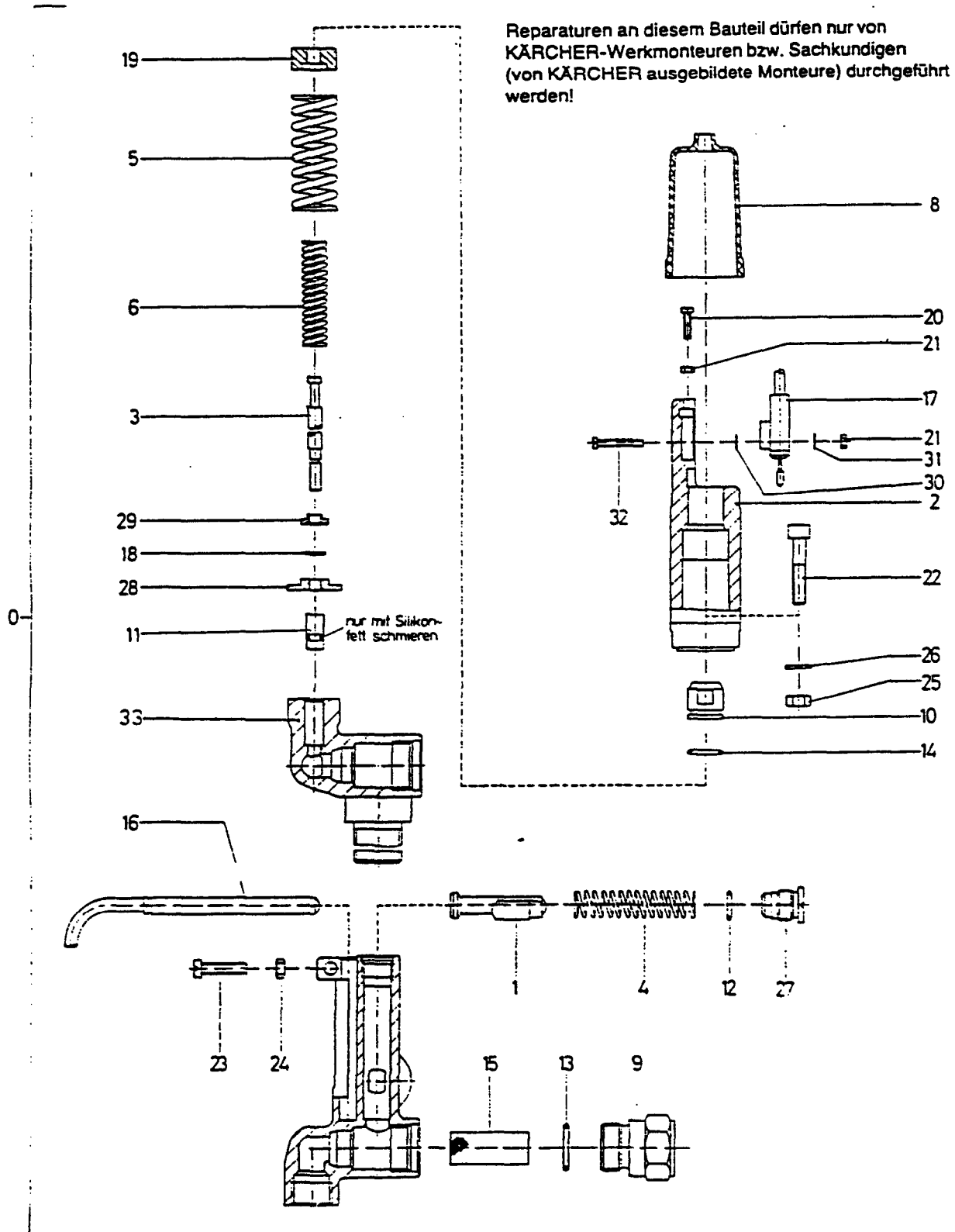
12051

| POS. BENENNUNG ITM. DESCRIPTION POS. DESIGNATION | TEILE-NR. PART-NO. NO. PIECE | STCK QTY. NBR. |
|--|------------------------------------|----------------------|
| 21 LSENSCHR. 4,2X16/ OVAL HEAD SCREW/ VIS A TETE BOMBEE. | 6.303-025.0 | 7 |
| 22 SCHEIBE A 4,3/ WASHER/ RONDELLE/ | 7.312-001.0 | 1 |
| 23 FORMTEIL MOULDED PART/ PREFORME/ | 5.030-459.0 | 1 |
| 24 NUTRING KPL.1ST.R./ GROOVED RING/ JOINT EN U A LEVRES/ | 6.362-532.0 | 1 |
| 25 KUGEL 4,0/ BALL/ BOULE/ | 7.401-921.0 | 12 |
| 26 GRIFF/ HANDLE/ POIGNEE/ | 5.321-150.0 | 2 |
| 27 STRAHLROHR 1040 LG/ JET PIPE/ LANCE D'INCENDIE/ | 4.760-101.0 | 1 |
| 27 STRAHLROHR 540LG/ JET PIPE/ LANCE D'INCENDIE/ | 4.760-102.0 | 1 |
| 27 STRAHLROHR 1996LG/ JET PIPE/ LANCE D'INCENDIE/ | 4.760-103.0 | 1 |
| 27 STRAHLROHR DREH/ JET PIPE/ LANCE D'INCENDIE | 4.760-129.0 | 1 |
| 29 VERSCHRAUBUNGSTEIL/ SCREW UNION PART/ PIECE (RACCORD A VIS)/ | 5.401-129.0 | 1 |
| 30 UE-MUTTER M16X1,5/ UNION NUT/ ECROU RACOURD | 6.386-235.0 | 1 |
| 31 SCHUTZTEIL/ PROTECTION PART/ PARTIE PROTECTEUR/ | 5.394-049.0 | 2 |
| 33 ERSATZTEILSET/ SPARE PARTS KIT/ KIT DE PIECES | 2.880-296.0 | 1 |
| 35 HANDSPRITEPISTO.SET/ TRIGGER GUN SET/ JEU POIGNEE PISTOLET/ | 2.880-277.0 | 1 |
| 36 DICHRING 12X1,5/ JOINT RING/ BAGUE D'ETANCHEITE/ | 6.362-529.0 | 1 |
| 37 O-RING 17,0 X 1,5/ GASKET/ BAQUE D'ETANCHEITE/ | 6.362-524.0 | 1 |

Gruppe: 11 Sicherheitsblock
Group: 11 Safety system
Groupe: 11 Bloc de securite

HDS 200 ER

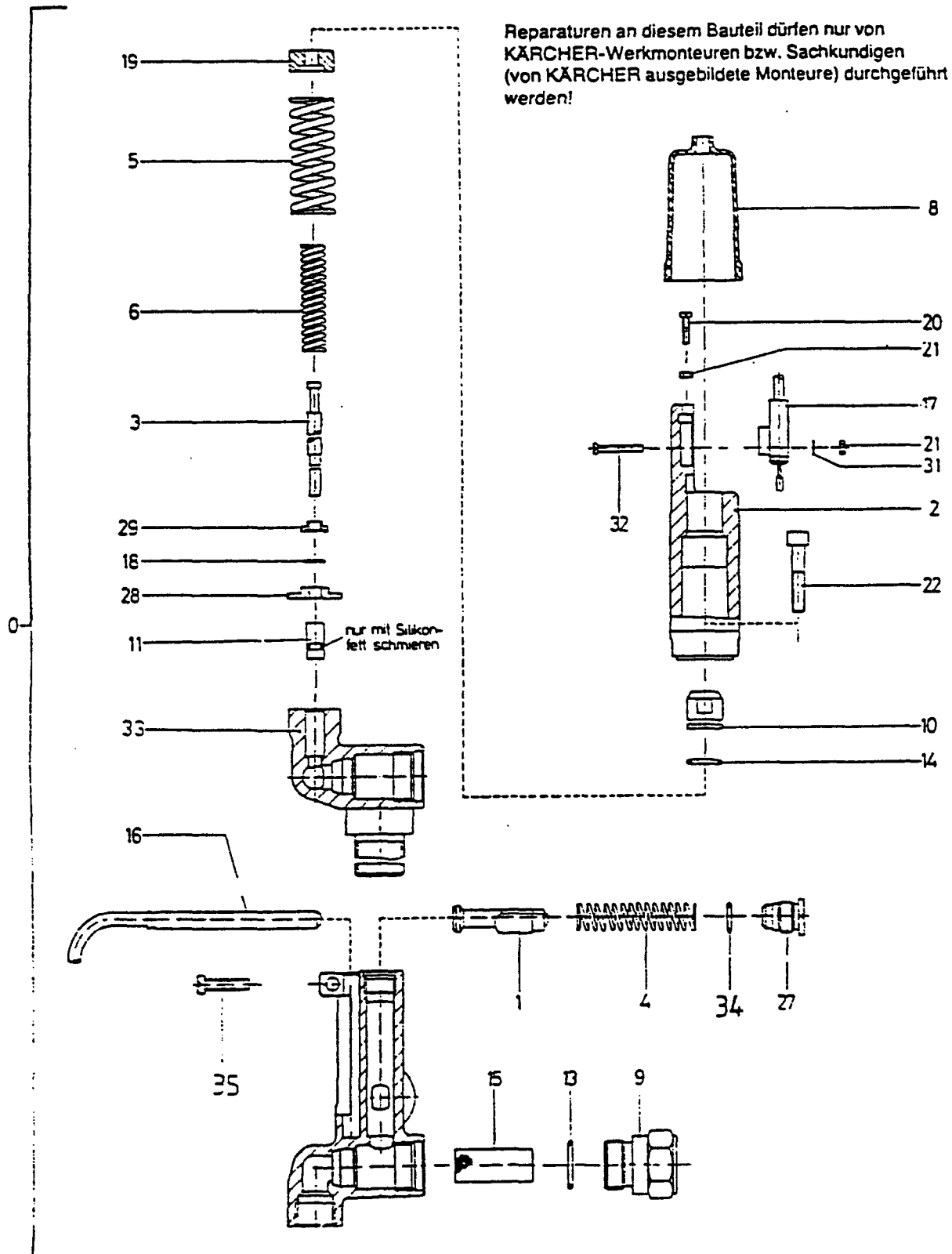
bis Werk-Nr. 12250/ up to serial N.12250 / jusqu'au du numero de fabrication N.12250



Gruppe: 11 Sicherheitsblock
Group: 11 Safety system
Groupe: 11 Bloc de securite

HDS 200 ER

ab Werk Nr.12251 / from serial No. 12251 / a partir du numero de fabrication N.12251



GRUPPE: 11 SICHERHEITSBLOCK
GROUP: 11 SAFETY SYSTEM
GROUPE: 11 BLOC DE SECURITE

ETL HDS 200 E

| POS. BENENNUNG ITM. DESCRIPTION POS. DESIGNATION | TEILE-NR. PART-NO. NO. PIECE | STCK QTY. NBR. | |
|---|------------------------------------|----------------------|-----|
| 0 SICHERHEITSBLOCK/ SAFETY SYSTEM/ BLOC DE SECURITE/ | 4.749-038.0 | 1 | |
| 1 KOLBEN/ PISTON/ PISTON/ | 4.553-023.0 | 1 | |
| 2 GEHAUSE/ HOUSING/ BOITIER/ | 5.060-099.0 | 1 | |
| 3 STANGE/ BAR/ TIGE/ | 5.107-023.0 | 1 | |
| 4 SCHRAUBENFEDER/ HELICAL SPRING/ RESSORT CYLINDRIQUE/ | 5.332-057.0 | 1 | |
| 5 SCHRAUBENFEDER/ HELICAL SPRING/ RESSORT CYLINDRIQUE/ | 5.332-069.0 | 1 | |
| 6 SCHRAUBENFEDER/ HELICAL SPRING/ RESSORT CYLINDRIQUE/ | 5.332-070.0 | 1 | |
| 8 SCHUTZTEIL/ PROTECTION PART/ PARTIE PROTECTEUR/ | 5.394-060.0 | 1 | |
| 9 VERSCHLUSSSCHRAUBE/ CLOSING SCREW/ VIS DE FERMETURE/ | 5.411-059.0 | 1 | |
| 10 KOLBEN/ PISTON/ PISTON/ | 5.553-046.0 | 1 | |
| 11 KOLBEN/ PISTON/ PISTON/ | 4.553-025.0 | 1 | |
| 12 O-RING 10,0 X 2,0/ GASKET/ BAQUE D'ETANCHEITE/ | 6.362-151.0 | 1 | *01 |
| 13 O-RING 17,3 X 2,4/ GASKET/ BAQUE D'ETANCHEITE/ | 6.362-160.0 | 1 | *02 |
| 14 O-RING 12,0 X 2,0/ GASKET/ BAQUE D'ETANCHEITE/ | 6.362-169.0 | 1 | |
| 15 SIEB/ STRAINER/ CREPINE/ | 6.414-111.0 | 1 | *02 |
| 16 ERSATZREEDSCHALTER/ SPARE REED SWITCH/ INTERRUPT.REED DE RESERVE/ | 2.880-194.0 | 1 | |
| 17 MIKROSCHALTER/ MICRO SWITCH/ MICRORUPTEUR/ | 6.631-125.0 | 1 | |
| 18 S-SCHEIBE 4/ LOCK WASHER/ RONDELLE D'ARRET | 7.343-203.0 | 1 | |
| 19 BUCHSE/ BUSH/ DOUILLE/ | 5.112-172.0 | 1 | |
| 20 ZYL.SCHR. M 3X 16/ CHEESE HEAD SCREW/ VIS A TETE CYLINDR./ | 7.306-406.0 | 1 | |
| 21 6KT-MUTTER M 3/ HEXAGON NUT/ ECROU HEXAGONAL/ | 7.311-000.0 | 3 | |

GRUPPE: 11 SICHERHEITSBLOCK
 GROUP: 11 SAFETY SYSTEM
 GROUPE: 11 BLOC DE SECURITE

ETL HDS 200 E

| POS. | BENENNUNG | TEILE-NR. | STCK |
|------|---|-------------|-------|
| ITM. | DESCRIPTION | PART-NO. | QTY. |
| POS. | DESIGNATION | NO. PIECE | NBR. |
| 22 | ZYL.SCHR. M 6X 30/ CHEESE HEAD SCREW/ VIS A TETE CYLINDR./ | 7.306-024.0 | 2 |
| 23 | ZYL.SCHR. M 5X 20/ CHEESE HEAD SCREW/ VIS A TETE CYLINDR./ | 7.306-442.0 | 1 *01 |
| 24 | 6KT-MUTTER M 5/ HEXAGON NUT/ ECROU HEXAGONAL/ | 7.311-002.0 | 1 *01 |
| 25 | 6KT-MUTTER M 6/ HEXAGON NUT/ ECROU HEXAGONAL/ | 7.311-003.0 | 2 *01 |
| 27 | FORMSCHRAUBE/ SCREW/ VIS/ | 5.305-120.0 | 1 *01 |
| 27 | FORMSCHRAUBE/ SCREW/ VIS/ | 5.305-162.0 | 1 *03 |
| 28 | SCHEIBE/ WASHER/ RONDELLE/ | 5.115-147.0 | 1 |
| 29 | BUCHSE/ BUSH/ DOUILLE/ | 5.112-094.0 | 1 |
| 30 | SCHEIBE A 3,2/ WASHER/ RONDELLE/ | 7.312-030.0 | 4 *01 |
| 31 | FEDERRING B 3/ SPRING WASHER/ RONDELLE GROWER/ | 7.313-000.0 | 2 |
| 32 | 6KT-SCHR. M 3X 20/ HEXAGONAL HEAD SCREW/ VIS HEXAGONAL/ | 7.304-352.0 | 2 |
| 33 | GEHAEUSE/ HOUSING/ BOITIER/ | 5.605-088.0 | 1 *01 |
| 33 | GEHAEUSE/ HOUSING/ BOITIER/ | 5.605-131.0 | 1 *03 |
| 34 | O-RING 10,0 X 1,5/ GASKET/ BAQUE D'ETANCHEITE/ | 6.362-482.0 | 1 *03 |
| 35 | ZYL.SCHR. M 6X 16/ CHEESE HEAD SCREW/ VIS A TETE CYLINDR./ | 7.306-020.0 | 1 *03 |

*01 BIS WERKNR. 12250
 UP TO SERIAL NO. 12250
 JUSQU'AU NUMERO DE FABRICATION 12250

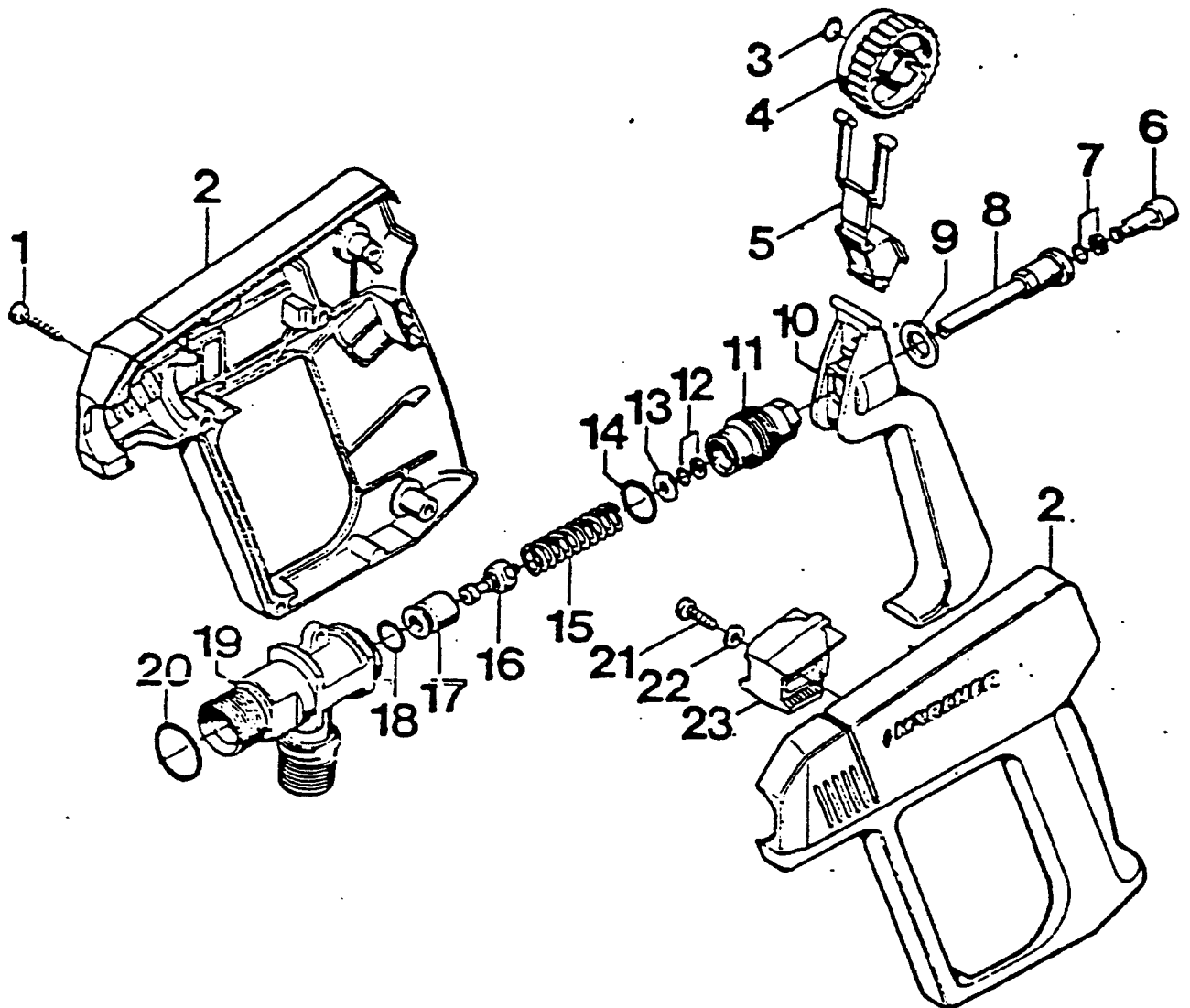
*02 TEILE SIND IM ET-SET 2.880-154 ENTHALTEN
 PARTS INCLUDED IN PUMP KIT 2.880-154
 COMPRIS DANS LE JEU DE PIECES 2.880-154

*03 AB WERKNR. 12251
 FROM SERIAL NO. 12251
 A PARTIR DU NUMERO DE FABRICATION 12251

Gruppe: 12 Handspritzpistole (SERVOPRESS)
Group: 12 Trigger gun (SERVOPRESS)
Groupe: 12 Poignee-pistolet (SERVOPRESS)

HDS 200 ER

bis Werk-Nr./up to serial No./jusqu'au N° de fabrication 11 250



Gruppe: 12 Handspritzpistole (SERVOPRESS)
Group: 12 Trigger gun (SERVOPRESS)
Groupe: 12 Poignee-pistolet (SERVOPRESS)

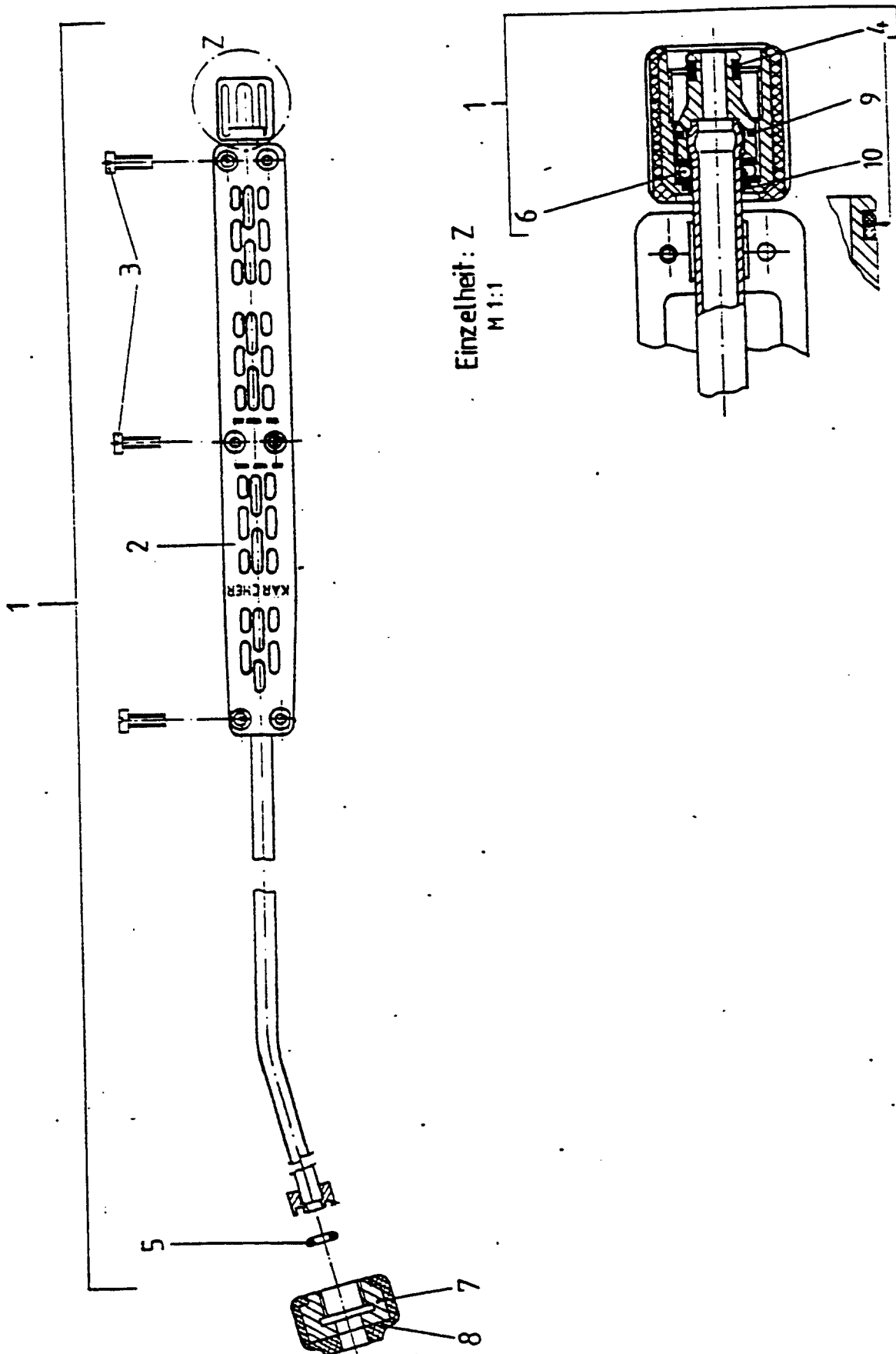
HDS 200 ER

| Pos. | Benennung Item Description Pos. Designation | Teile-Nr. Part-No. No.piece | Stück Qty. Nbr. |
|------|--|-----------------------------------|-----------------------|
| 0 | Handspritzpistole/ Trigger Gun/ Poignee Pistolet | 4.775-041.0 | 1 |
| 1 | Schraube 4,2x22/ Screw 4,2 X 22/ Vis 4,2 X 22 | 6.303-024.0 | 8 |
| 2 | Griffpaar/ Grip Pair/ Paire de Poignees | 5.321-107.0 | 1 |
| 3 | O-Ring 6,07-1,78/ O-Ring/ Joint Torique | 6.362-176.0 | 1 |
| 4 | Handrad/ Handwheel/ Roue A Main | 5.322-006.0 | 1 |
| 5 | Formteil/ Preform/ Preforme | 5.030-283.0 | 1 |
| 6 | Kolben/ Piston/ Piston | 5.553-118.0 | 1 |
| 7 | O-Ring Kompl./ O-Ring Compl./ Joint Torique Compl | 6.362-477.0 | 1 |
| 8 | Stange/ Rod/ Perche | 5.107-062.0 | 1 |
| 9 | Scheibe/ Disk/ Disque | 5.115-227.0 | 1 |
| 10 | Hebel/ Lever/ Levier | 5.481-039.0 | 1 |
| 11 | Formschraube/ Special Screw/ Vis de Forme | 5.305-110.0 | 1 |
| 12 | O-Ring Kpl./1st.-R./ O-Ring Compl./ Joint Torique Compl | 6.362-468.0 | 1 |
| 13 | Scheibe/ Disk/ Disque | 5.115-260.0 | 1 |
| 14 | O-Ring 12,42x1,78/ O-Ring/ Joint Torique | 6.362-478.0 | 1 |
| 15 | Schraubenfeder/ Coil Spring/ Ressort A Boudin | 5.332-140.0 | 1 |
| 16 | Ventilsitz/ Valve Seat/ Siege de Soupape | 4.581-013.0 | 1 |
| 17 | Huelse 8001/H/ Pod/ Douille | 5.110-240.0 | 1 |
| 18 | O-Ring 7,59x2,62/ O-Ring/ Joint Torique | 6.362-479.0 | 1 |
| 19 | Knotenstueck/ Strut Att. Fitting/ Ferrure Nodale | 5.427-079.0 | 1 |
| 20 | O-Ring 17,12 X2,62/ O-Ring/ Joint Torique | 6.362-436.0 | 1 |
| 21 | Schraube 4,2x16/ Screw 4,2 X 16/ Vis 4,2 X 16 | 6.303-025.0 | 7 |
| 22 | Scheibe A 4,3/ Disk/ Disque | 7.312-001.0 | 1 |
| 23 | Formteil/ Preform/ Preforme | 5.030-321.0 | 1 |

Gruppe: 13 Strahlrohr (drehbar)
Group: 13 Spout (pivotable)
Groupe: 13 Canon (pivotant)

HDS 200 ER

bis Werk-Nr./up to serial No./jusqu'au N° de fabrication 11 250



Gruppe: 13 Strahlrohr (drehbar)
Group: 13 Spout (pivotable)
Groupe: 13 Canon (pivotant)

HDS 200 ER

| Pos. | Benennung | Teile-Nr. | Stück |
|------|---|---------------|-------|
| Item | Description | Part-No. | Qty. |
| Pos. | Designation | No.piece | Nbr. |
| 1 | Strahlrohr 1040 Lg/ Jet Tube/ Lance D'incendie | 4.760-101.0 | |
| 2 | Griff/ Handle/ Poignee | 5.321-102.0 | 2 |
| 3 | Schraube 4,2x16/ Screw 4,2 X 16/ Vis 4,2 X 16 | 6.303-025.0 | 6 |
| 4 | Nut-Ring Kpl.1st.r./ Grooved Ring/ Joint En U A Levres | 6.362-532.0 * | 1 |
| 5 | O-Ring-Set/ O-Ring Set/ Jeu de Joint Tor. | 2.880-154.0 * | 1 |
| 6 | Kugel 4 D/ Ball/ Boule | 7.401-921.0 | 12 |
| 7 | Ue-Mutter M18x1,5/ Union Nut/ Ecrou-Raccord | 6.386-235.0 | 1 |
| 8 | Schutzteil/ Protection Piece/ Piece de Protection | 5.394-049.0 | 1 |
| 9 | O-Ring 17x1,5/ O-Ring/ Joint Torique | 6.362-524.0 | 1 |
| 10 | Dichtring 12x1,5/ Sealing Ring/ Bague D'etancheite | 6.362-529.0 | 1 |

* Teile sind im Ersatzteilset 2.880-154 (Gr.1/Pos.64) enthalten /
Parts included in spare parts kits 2.880-154 (Gr.1/Pos.64) /
Pieces comprises dans le jeu de pieces rechange 2.880-154 (Gr.1/Pos.64)

1. Konstruktive Merkmale

1.1 Ausstattung

- Nachfolgemodell vom HDS 200
- stärkerer Motor (1400 U/min.)
- Pumpe ähnlich HDS 1290
Kolben 24 mm \varnothing mit Keramikhülse,
Kolbenhub 13,6 mm (2,4 mm länger als HDS 1290),
Niederdruck-Dichtung, Hochdruck-Dichtung und
Öl-Dichtung identisch mit HDS 1290
- leicht modifizierter Kessel gegenüber HDS 200
- Reinigungsmittel-Ansaugung am 1. Kolben mit
Rückschlagventil, dadurch gute Entlüftung
- Rückschlagventil im Hochdruck-Ausgang des
Zylinderkopfes hält beim Abschalten den vollen Druck
an der Pistole
- Motorschutzschalter mit Thermofühler und Bimetall
- Strömungswächter mit Sicherheitsventil
- Druck- und Mengenregulierung mit Überströmkolben
- Zwei Druckschalter
- 24 Volt Steuerspannung
- Servopress-Pistole
- Zwei-Strahlrohr-Betrieb möglich
Anbausatz 2.637-874
Montageanleitung 0.081-864
- Schwimmerkasten mit Wasserenthärtung (DGT)
- Zwei Reinigungsmittel-Tanks

1.2 Technische Hinweise (s. Anlage)

- Wasserleitungs-Schema
- Schnitt-Zylinderkopf
- Einstellung Strömungswächter mit Sicherheitsventil
- Einstellung Druck- und Mengenregulierung mit Überströmventil
- Funktion Überströmventil mit Druckschalter
- Einstellung Druckschalter

2. Technische Daten (s. Anlage)

Sie erhalten die technischen Daten für folgende Varianten:

| | | |
|-----------|---------------------------------|--------|
| 1.841-111 | 380 V / 3 PH [~] 50 Hz | Europa |
| 1.841-121 | 220 V / 3 PH [~] 50 Hz | Europa |

3. Schaltplan (s. Anlage)

| | | |
|-----------|------------------|-----------|
| 0.087-579 | gehört zum Gerät | 1.841-111 |
| 0.087-589 | gehört zum Gerät | 1.841-121 |

Die technischen Daten und der zugehörige Schaltplan sind auf dem Ersatzteil-Mikrofilm des betreffenden Gerätes auf den Koordinaten A16 und B16 abgebildet.

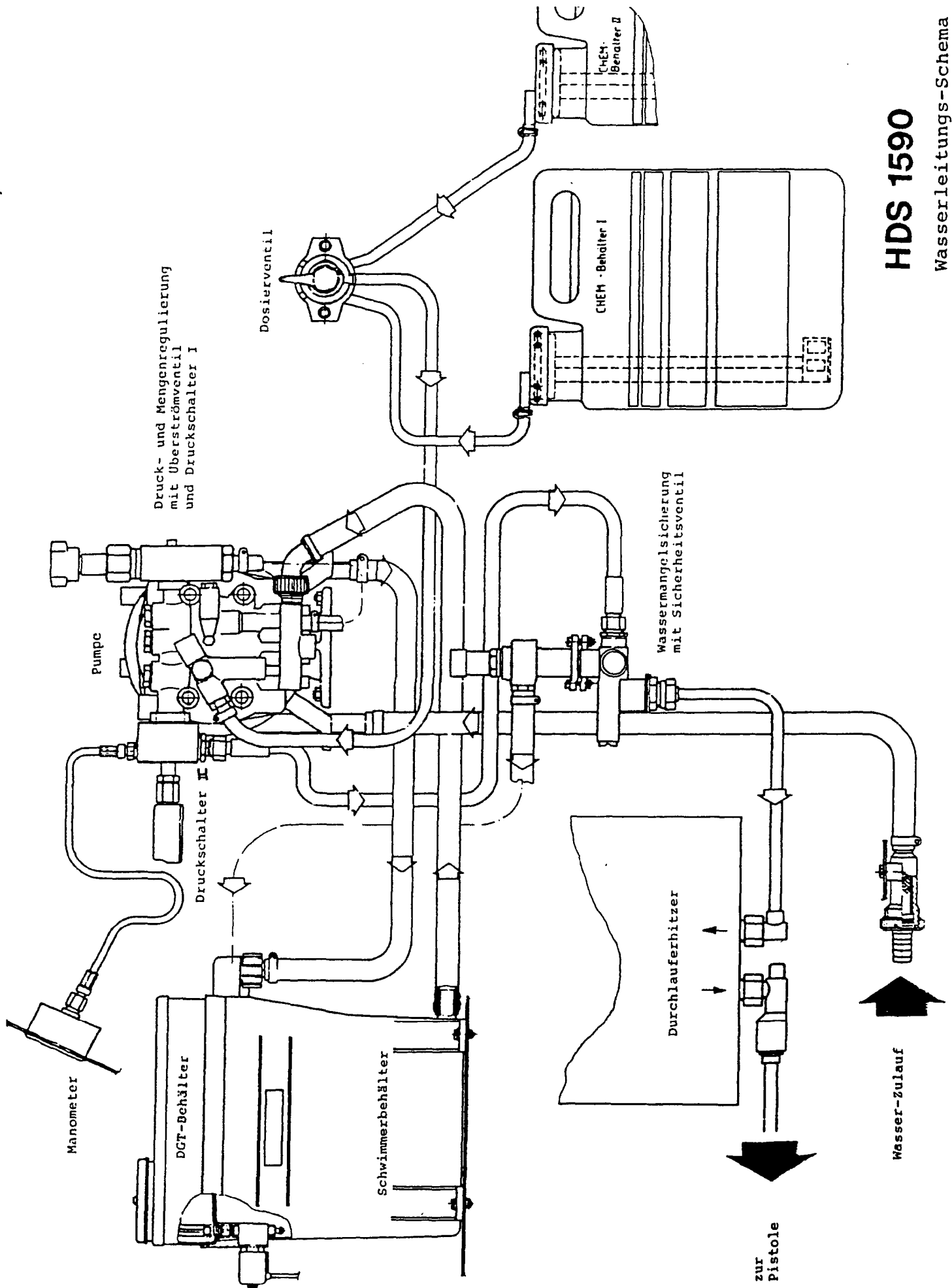
4. Gebrauchsanleitung 5.951-487 (s. Anlage)

Die Betriebsanleitungen erhalten Sie im Format DIN A4 als Kopiervorlage für eigene Vervielfältigungen.

5. Ersatzteillisten

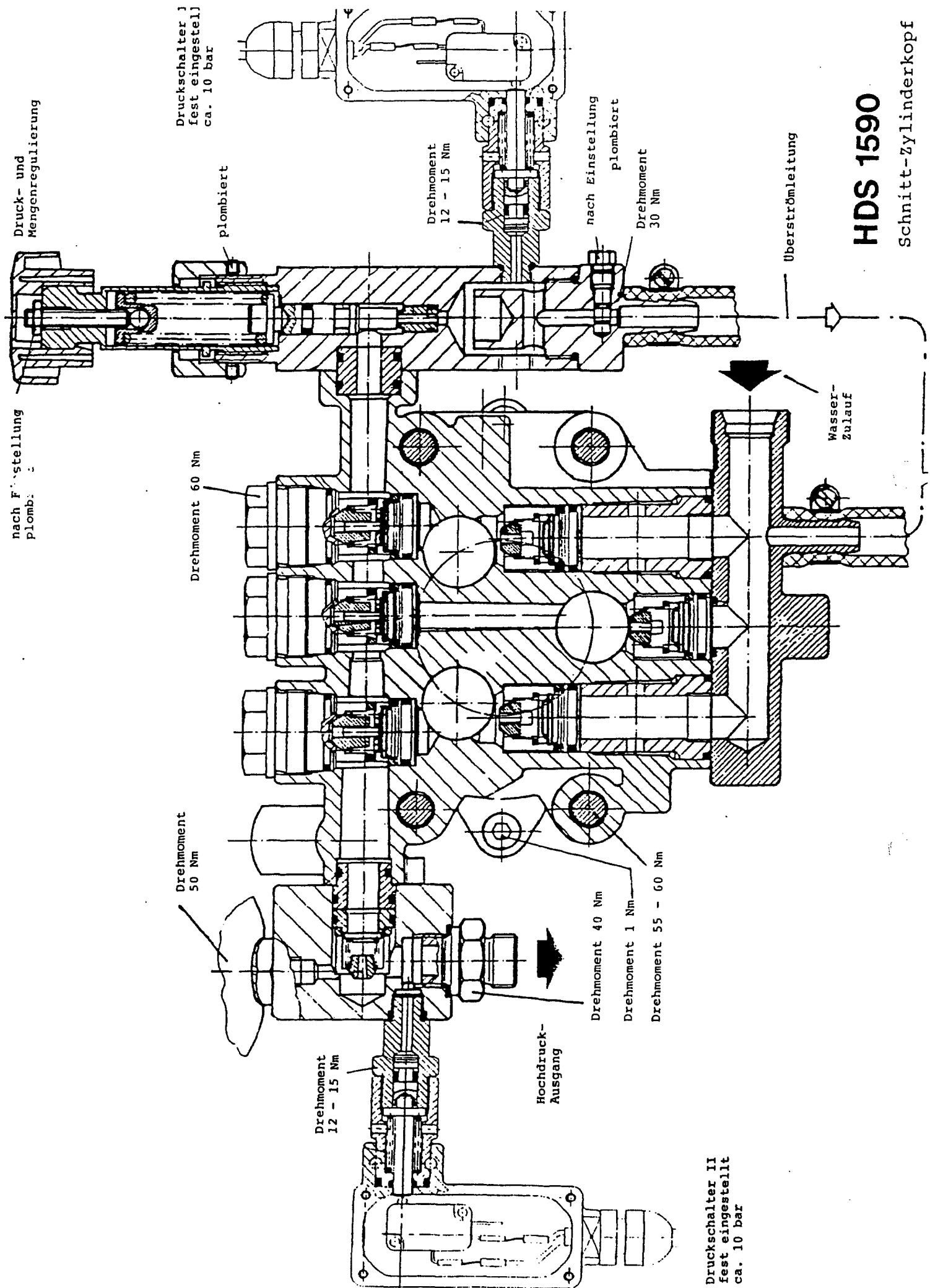
Alle Ersatzteillisten existieren auf Mikrofilm

6. Spezialwerkzeuge (s. Anlage)



HDS 1590

Wasserleitungs-Schema

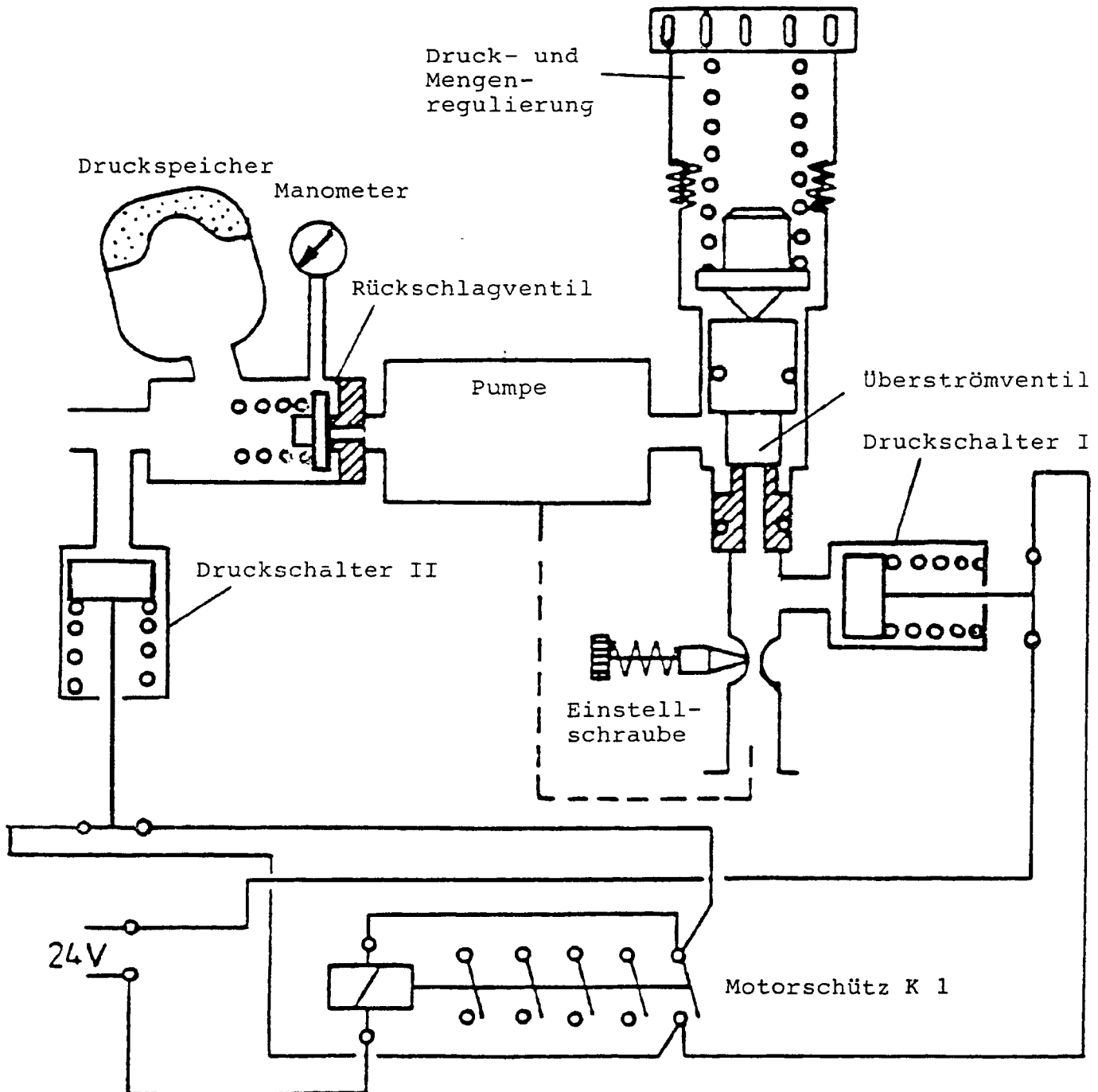


HDS 1590

Schnitt-Zylinderkopf

FUNKTION ÜBERSTRÖMVENTIL MIT 2 DRUCKSCHALTERN
schematisch gezeichnet

1. Gerät ausgeschaltet, System drucklos

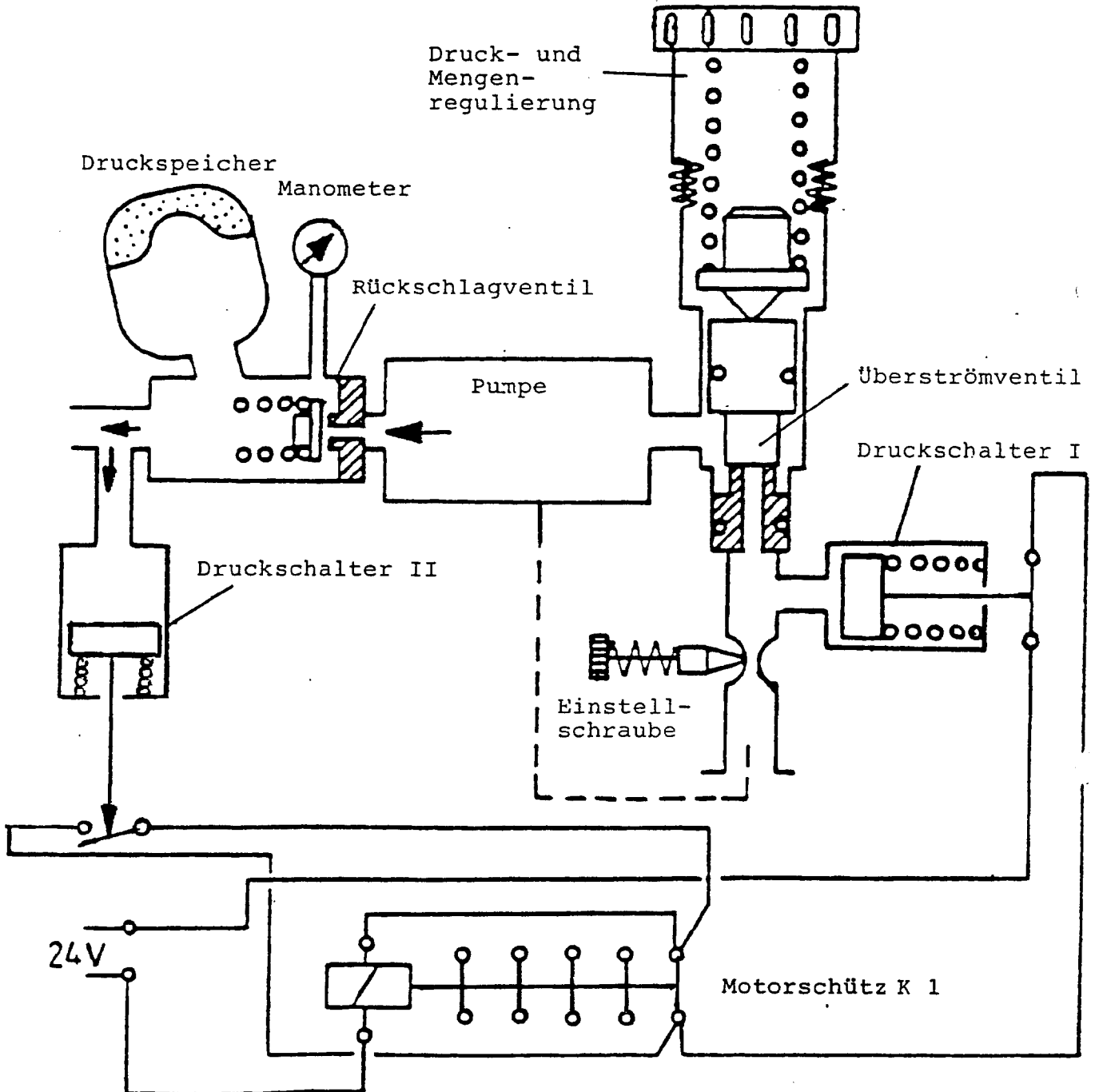


Am Zylinderkopf der Wasserpumpe ist auf der einen Seite das Überströmventil mit Druckschalter I und auf der anderen Seite der Druckspeicher mit Manometer und Druckschalter II angebracht. Bei ausgeschaltetem Gerät ist das System drucklos und beide Druckschalter sind geschlossen.

HDS 1590

FUNKTION ÜBERSTRÖMVENTIL MIT 2 DRUCKSCHALTERN
schematisch gezeichnet

2. Pistole geöffnet, Pumpe läuft

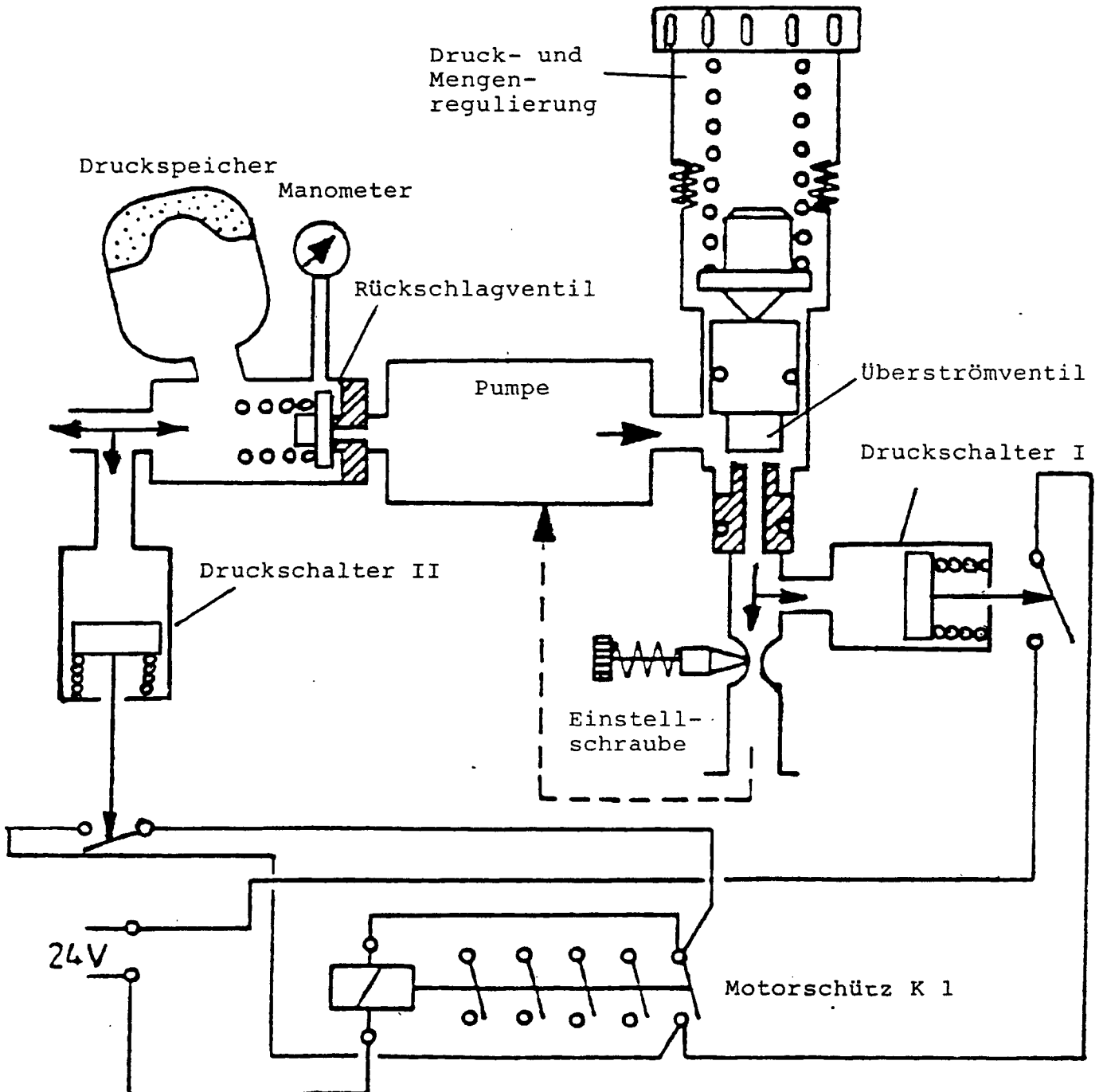


Nach dem Einschalten des Gerätes und geöffneter Pistole zieht der Motorschütz K 1 an und läßt die Pumpe anlaufen. Die Pumpe baut den Druck auf und schaltet Druckschalter II wieder aus. Der Motorschütz K 1 wird jedoch über den geschlossenen Druckschalter I noch gehalten.

HDS 1590

FUNKTION ÜBERSTRÖMVENTIL MIT 2 DRUCKSCHALTERN
schematisch gezeichnet

3. Pistole geschlossen, Pumpe schaltet aus

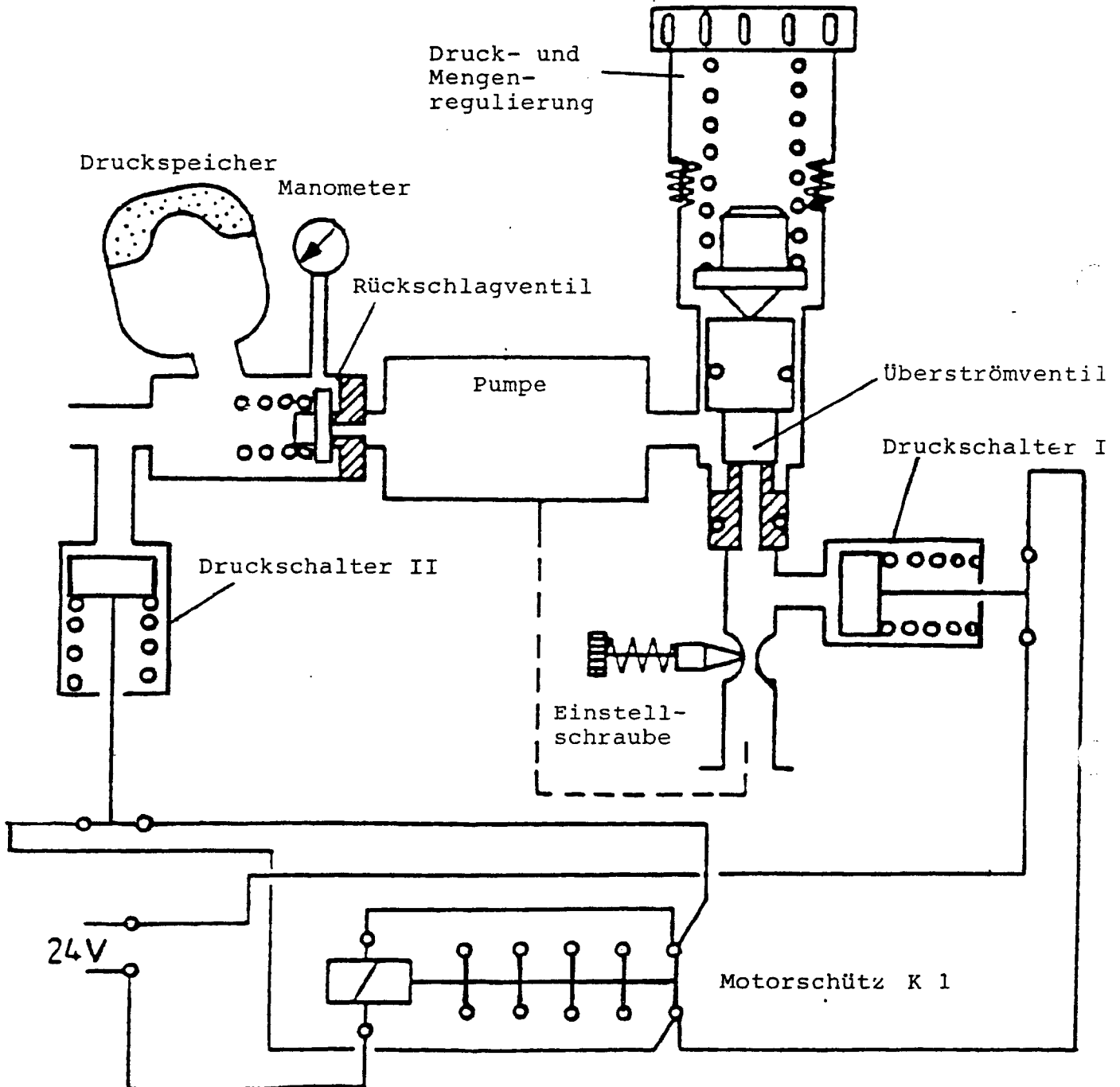


Beim Schließen der Pistole schließt zunächst das Rückschlagventil und Druckschalter II bleibt geöffnet. Gleichzeitig öffnet das Überströmventil und die gesamte Wassermenge fließt zur Pumpensaugseite. Vor dem einstellbaren Drosselventil baut sich ein Druck auf, der bei 10 bar den Druckschalter I ebenfalls ausschaltet und nun die Pumpe stillsetzt.

HDS 1590

FUNKTION ÜBERSTRÖMVENTIL MIT 2 DRUCKSCHALTERN
schematisch gezeichnet

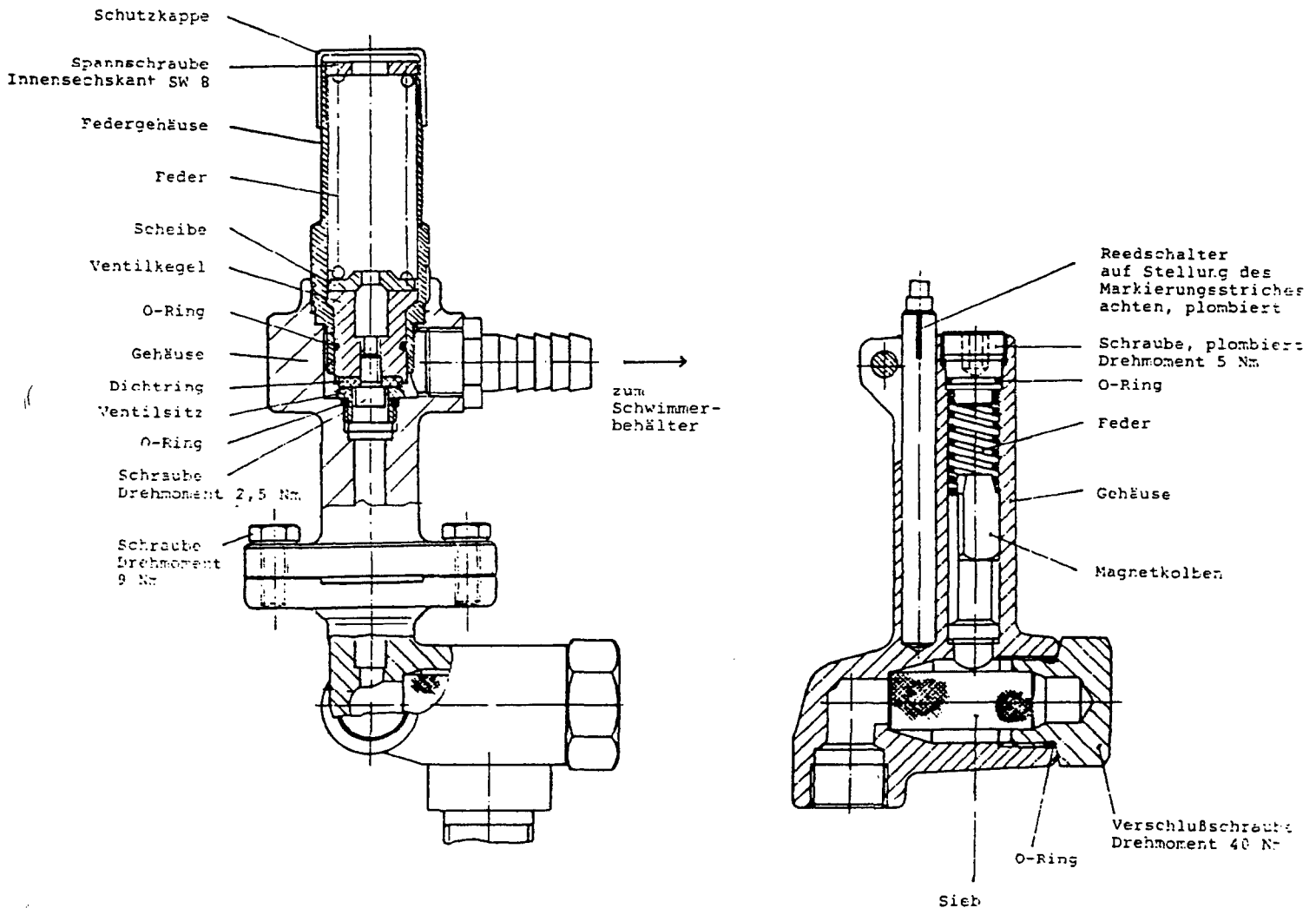
4. Pistole geöffnet, Pumpe schaltet ein



Durch den abfallenden Druck im Überströmbereich schließt der Druckschalter I wieder. Wenn jetzt die Pistole geöffnet wird, sinkt der Druck im Druckteil und Druckschalter II schließt ebenfalls. Dadurch zieht der Motorschütz K 1 wieder an und läßt die Pumpe anlaufen.

HDS 1590

1. Einstellung Sicherheitsventil mit Strömungswächter



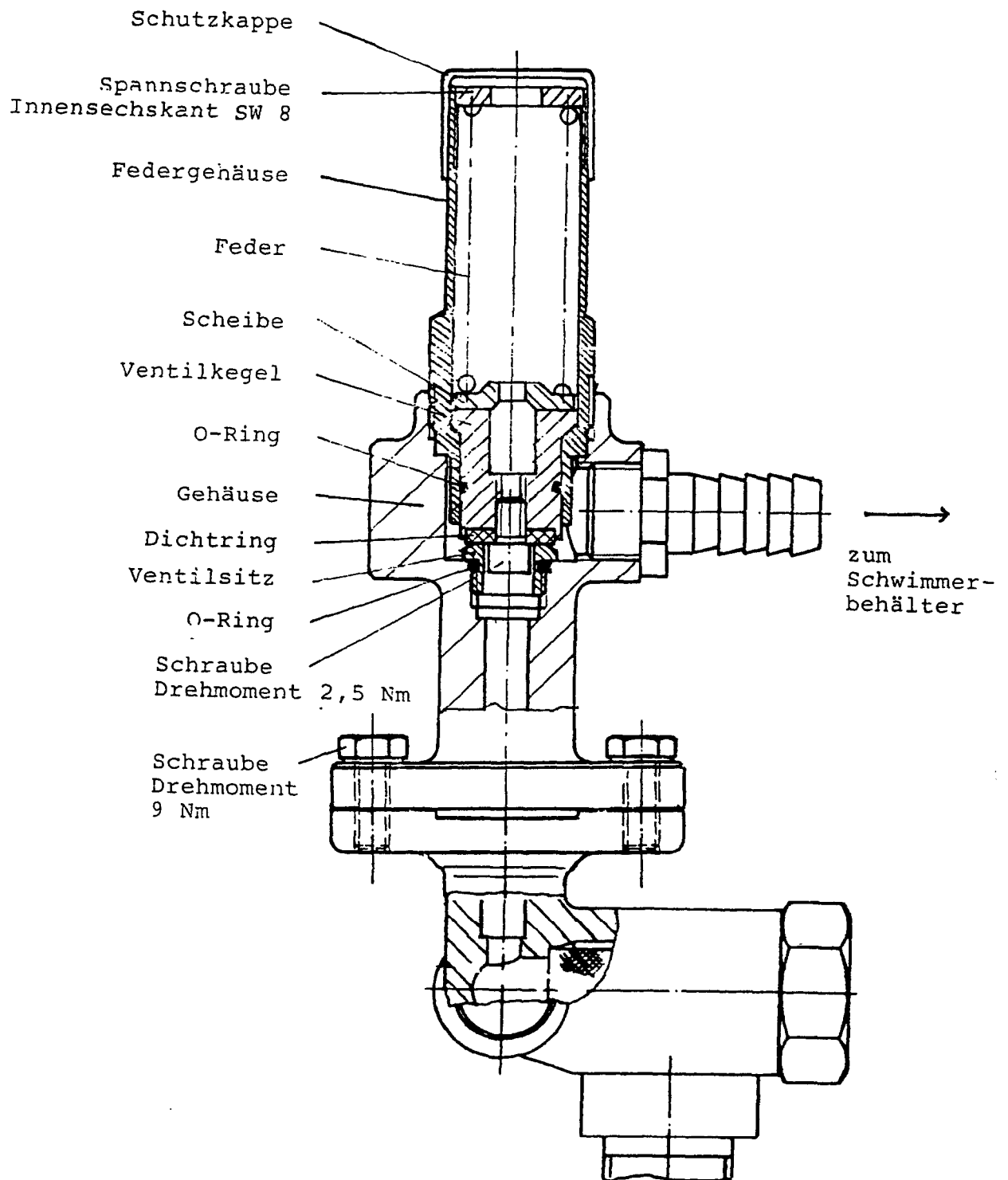
Der Sicherheitsblock im HDS 1590 unterscheidet sich dadurch von den anderen HDS-Geräten, daß hier Strömungswächter mit Sicherheitsventil kombiniert ist und nicht wie bei den älteren HDS-Geräten Strömungswächter und Druckschalter.

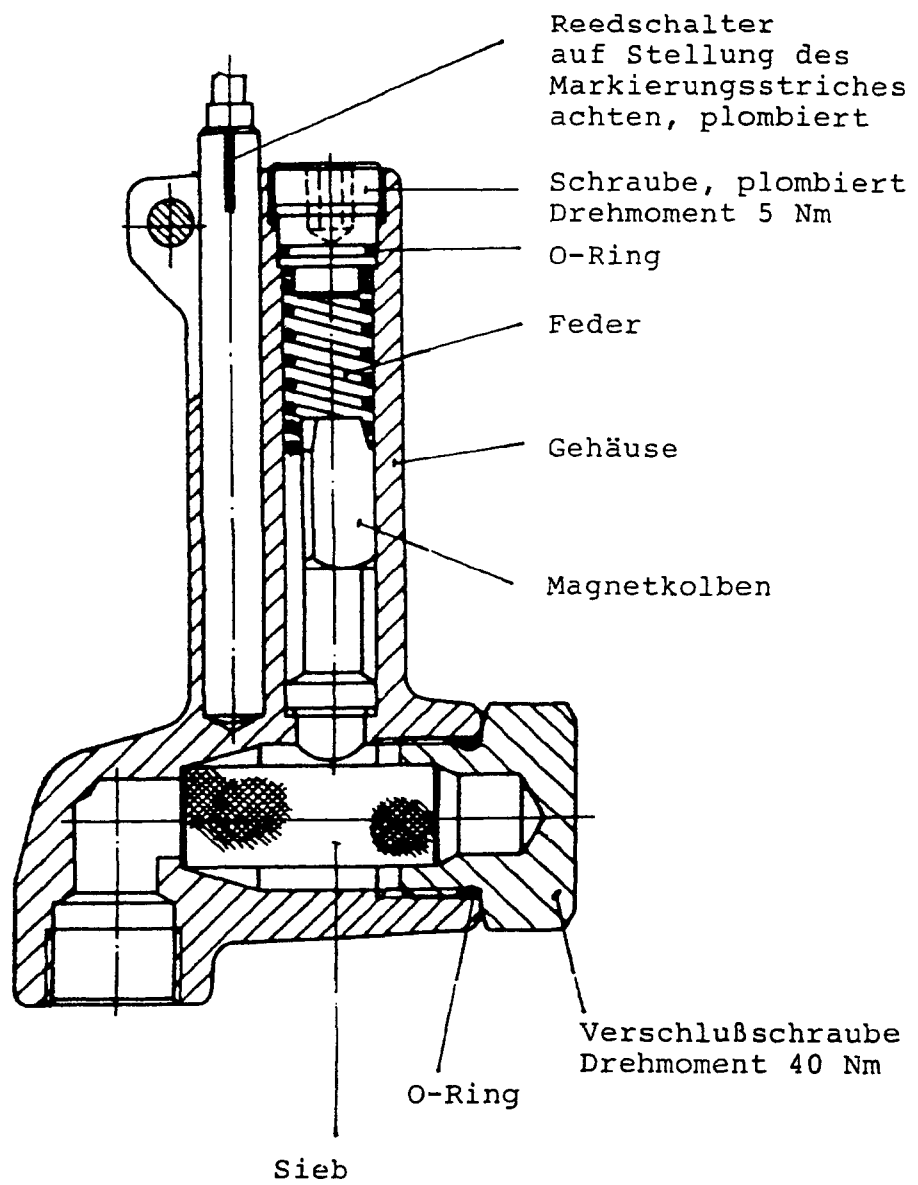
1. Sicherheitsventil

- Absperrventil am Geräteausgang montieren.
- Druck- und Mengenregulierung auf max. Druck einstellen, da sonst der Druckschalter I das Gerät vorher abschaltet.
- Drehknopf abnehmen (s. Zeichnung Druck- und Mengenregulierung).
- Kontermutter von Gewindestift M6x35 entfernen.
- Gewindestift bis Anschlag eindrehen.
- Sicherheitsventil mit Spannschraube auf einen Öffnungsdruck von 200 ± 5 bar (Gerätetmanometer) einstellen.
- Spannschraube plombieren.
- Druck- und Mengenregulierung anschließend neu einstellen.

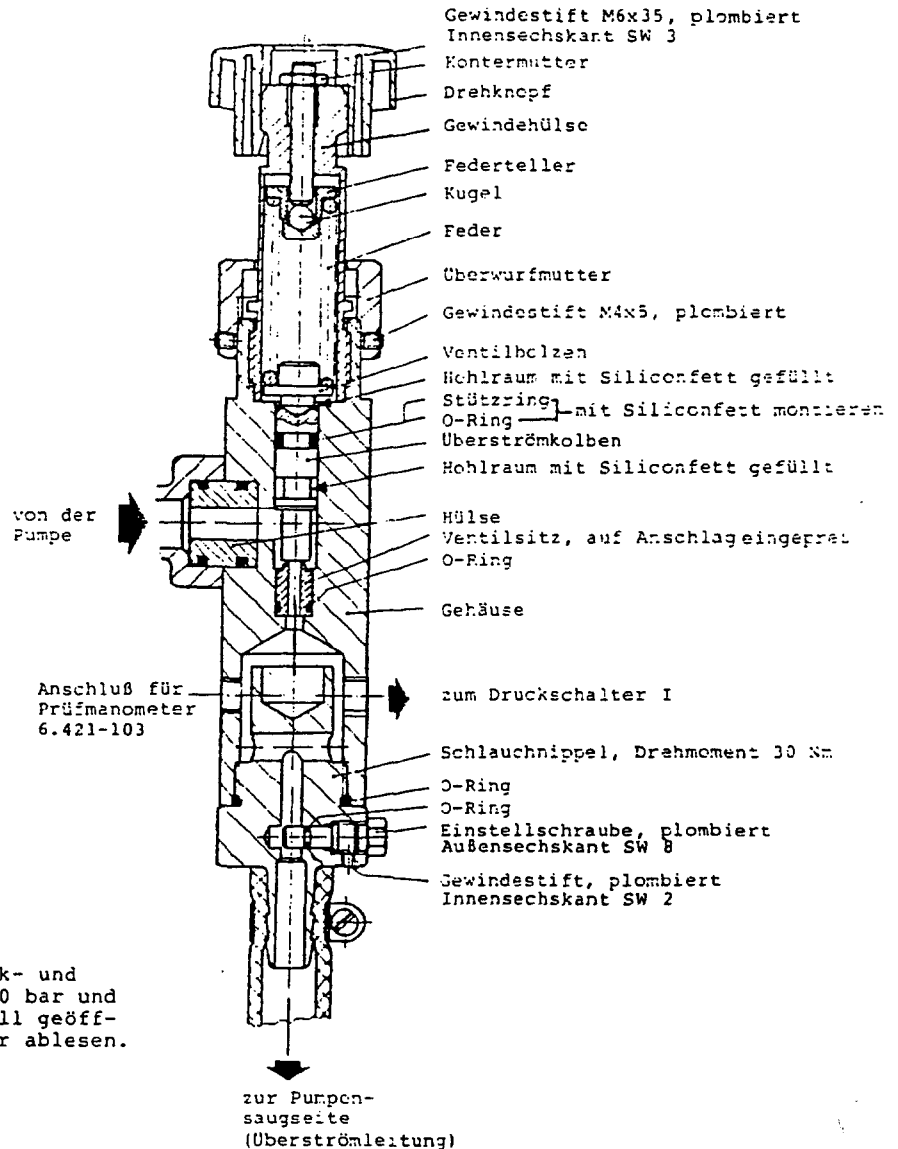
2. Strömungswächter

- Es ist darauf zu achten, daß der Reedschalter in der richtigen Stellung (Markierungsstrich) bis ganz auf den Grund der Bohrung eingeschoben wird und mit der Klemmschraube gesichert wird, anschließend plombieren.
- Das Sieb ist regelmäßig zu reinigen, da sonst die Gefahr besteht, daß der Magnetkolben verschmutzt oder sich nicht mehr freischwimmend bewegen kann.
- Ist der Reedschalter defekt oder nicht in der richtigen Stellung fixiert, kann der Kontakt nicht schließen und der Brenner zündet nicht.





2. Einstellung Druck- und Mengenregulierung



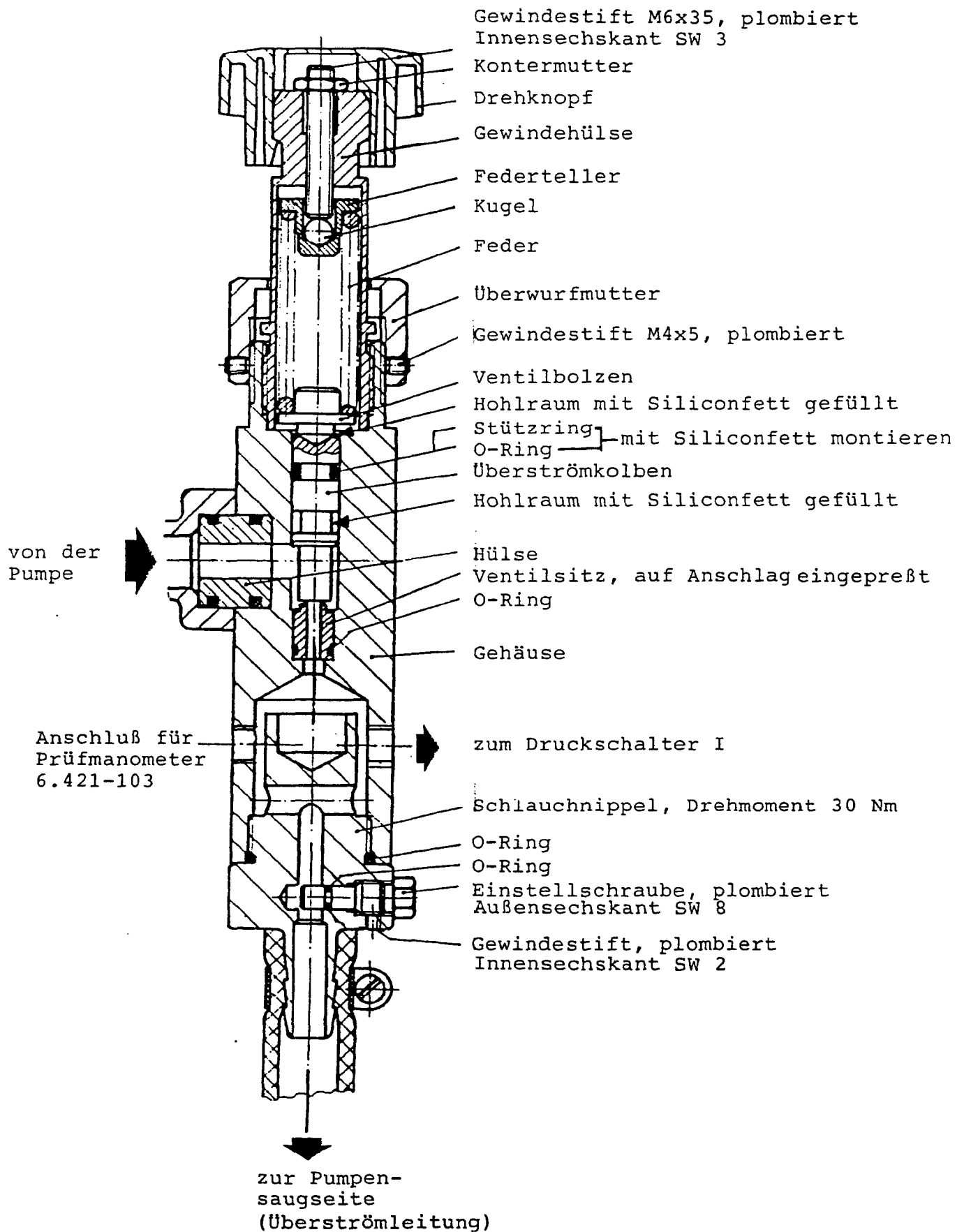
Der Arbeitsdruck läßt sich an der Druck- und Mengenregulierung stufenlos zwischen 40 bar und 150 bar regulieren. Einstellung bei voll geöffneter Pistole. Druck am Gerätemanometer ablesen.

1. Einstellung max. Druck (150 bar)

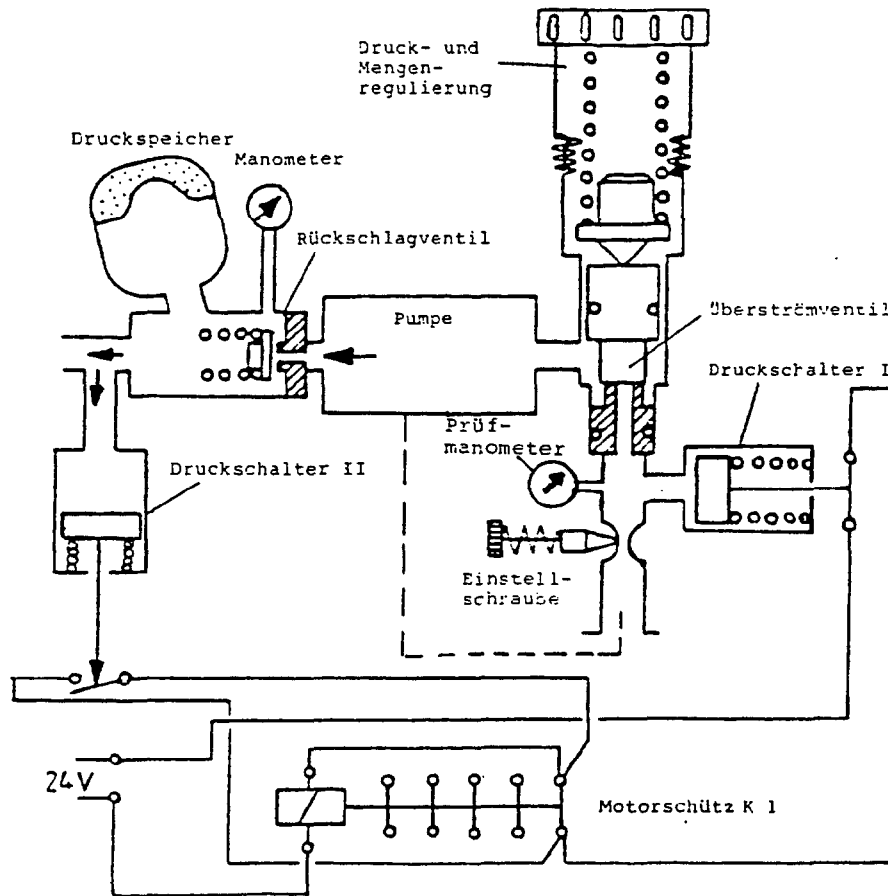
- Die Einstellung wird mit einem Strahlrohr und Hochdruckdüse 05 vorgenommen.
- Einstellschraube herausdrehen, so daß O-Ring noch gerade abdichtet (Gewindestifte SW 2 vorher lösen).
- Drehknopf nach rechts bis zum Anschlag drehen.
- Drehknopf nach oben abziehen.
- Kontermutter lösen.
- a) Wenn Druck zu niedrig,
 - Gewindestift M6x35 nach rechts drehen, Gewindehülse gegenhalten, dadurch wird die Feder stärker vorgespannt und der Druck wird erhöht.
- b) Wenn Druck zu hoch,
 - Gewindestift M6x35 nach links drehen, Gewindehülse gegenhalten, dadurch wird die Feder weniger vorgespannt und der Druck wird verringert.
- Nach erfolgter Einstellung Kontermutter anziehen und plombieren. Drehknopf aufstecken.

2. Einstellung min. Druck (40 bar)

- Drehknopf nach links bis zum Anschlag drehen.
- a) Wenn Druck zu hoch,
 - beide Gewindestifte M4x5 lösen und Überwurfmutter zusammen mit Drehknopf nach links drehen.
- b) Wenn Druck zu niedrig,
 - beide Gewindestifte M4x5 lösen und Überwurfmutter zusammen mit Drehknopf nach rechts drehen.
- Gewindestifte anschließend festziehen und plombieren.
- Nach der Einstellung Brennerfunktion prüfen.



3. Einstellung Druckschalter I



Druck und Menge lassen sich regulieren durch
 a) Servopresspistole
 b) Einstellung an der Druck- und Mengenregulierung.

Wenn an der Servopresspistole die Wassermenge gedrosselt wird, steigt der Druck an und das Überströmventil läßt eine Teilmenge zur Pumpensaugseite fließen.

Wird der Druck und die Menge an der Regulier-
 spindel eingestellt, wird durch Linksdrehen des
 Knopfes die Feder entspannt. Dadurch öffnet das
 Überströmventil schon bei einem geringeren Druck
 und läßt eine Teilmenge zur Pumpensaugseite
 fließen.

- Einstellschraube langsam im Uhrzeigersinn
 hineindrehen, bis Gerät über Druckschalter I
 abschaltet. Anschließend Einstellschraube
 ca. 1/4 Umdrehung wieder herausdrehen.
- Bei korrekter Einstellung liegt der Rücklauf-
 druck bei ca. 9 bar.
- Zur Kontrolle kann der Prüfmanometer 6.421-103
 verwendet werden.
- Gesamtfunktion max. Druck und min. Druck und
 sichere Abschaltung von Druckschalter I mit der
 Standarddüse 010 überprüfen.
- Zusätzlich über Chemieventil Luft ansaugen und
 Abschaltung nochmals überprüfen.
- Gewindestift an Einstellschraube festziehen und
 plombieren.

Druckschalter II ist nicht einstellbar.

4. Besondere Hinweise zum Überströmventil

Zur 1. Geräteserie bis Werk-Nr. 10050.

Bei der Geräteprüfung haben wir festgestellt, daß kleine Abweichungen bei der Einstellung auftraten.

Mögliche Ursache:

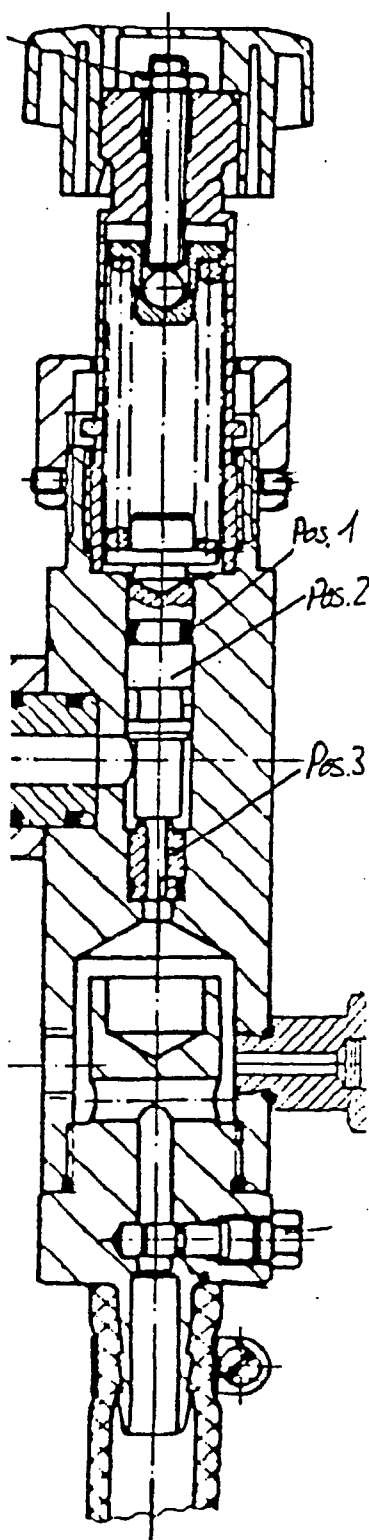
Durch eine evtl. Verwechslung der Druckfeder, Bestell-Nr. 5.332-267 können Abweichungen an der Gewindelänge vom Gewindestift M6x35 auftreten, so daß die Kontermutter nicht mehr korrekt montiert werden kann.

In diesen Fällen tauschen Sie bitte die Druckfeder, Bestell-Nr. 5.332-267 aus.

SPEZIALWERKZEUGE FÜR HDS 1590

=====

Für den HDS 1590 werden folgende Spezialwerkzeuge benötigt:



| | |
|--|-----------|
| Kesselabziehvorrichtung | 2.901-005 |
| Montagedorn/Nutringe | 2.901-028 |
| Abzieher/Taumelscheibe | 4.901-038 |
| Schlupfdorn für Servopress-Pistole | 5.901-069 |
| Spezialwerkzeug für Demontage der Formschraube in der Servopress-Pistole | 5.901-070 |

Diese Werkzeuge sind bekannt, ebenso ihre Anwendung.

Des weiteren werden folgende Spezialwerkzeuge für die neue Überströmeinrichtung benötigt:

Schlupfdorn/Überströmer für Montage des O-Rings kpl. 6.362-422 (Pos. 1) auf den Kolben 5.553-143 (Pos. 2)

Austreibwerkzeug für den Ventilsitz 5.581-143 (Pos. 3)

Einpreßwerkzeug für denselben Ventilsitz

Diese 3 Werkzeuge sind noch in der Bearbeitung, eine Nummer liegt noch nicht fest. Wir werden Sie informieren, sobald Nummer und Liefertermin feststehen.

Weiterhin wird benötigt:

1 Manometer 0-40 bar 6.421-103

Dieses Manometer ist im Gegensatz zu den o.g. Werkzeugen nicht im Werkzeugersatz 2.901-001 enthalten, sondern muß extra bestellt werden. Es ist das gleiche Manometer, das im Werkzeug 4.901-034 zum Überprüfen des Kreislaufdruckes am Puzzi profi, bzw. Puzzi K verwendet wird.