

Ersatzteilliste
Spare Parts List
Liste des pièces de rechange

HDS 890

| | | |
|-------------|---------|--------|
| 1.619-901.0 | HDS 890 | |
| 1.619-920.0 | HDS 890 | * BP |
| 1.619-921.0 | HDS 890 | * ARAL |
| 1.619-922.0 | HDS 890 | * ESSO |

GRUPPE: 1.0 EINZELTEILE
GROUP: 1.0 PIECE PARTS
GRUPPE: 1.0 PIECES CONSTITUANTES

A1

HDS 890

GRUPPE: 1.0 EINZELTEILE
GROUP: 1.0 PIECE PARTS
GRUPPE: 1.0 PIECES CONSTITUANTES

Ersatzteile unter www.gluesing.net

GRUPPE: 1.0 EINZELTEILE
GROUP: 1.0 PIECE PARTS
GRUPPE: 1.0 PIÈCES CONSTITUANTES

B1

HDS 890

Ersatzteile unter www.gluesing.net

Symbolbeschreibung siehe M16 / symbol description see M16 / désignation de système voir M16 /

GRUPPE: 1.0 EINZELTEILE
 GROUP: 1.0 PIECE PARTS
 GROUPE: 1.0 PIECES CONSTITUANTES

C1

HDS 890

| POS. ITM. POS. | BENNENUNNG DESCRIPTION DESIGNATION | TEILE-NR. PART-NO. NO.PIECE | STCK QTY. NBR. | POS. ITM. POS. | BENNENUNNG DESCRIPTION DESIGNATION | TEILE-NR. PART-NO. NO.PIECE | STCK QTY. NBR. |
|----------------------|--|-----------------------------------|----------------------|----------------------|--|-----------------------------------|----------------------|
| 1 | HAUBE / COVER / CAPOT | 5.066-336.0 | 1 | 34 | SCHEIBE 8 / WASHER / RONDELLE | 7.312-004.0 | 4 |
| 2 | HALTER / BRACKET / FIXATION | 5.042-252.0 | 1 | 35 | 6KT-MUTTER M 8 / HEXAGON NUT / ECROU HEXAGONAL | 7.311-004.0 | 4 |
| 4 | LINSENSCHR. 4,2X 13 / OVAL HEAD SCREW / VIS A TETE BOMBEE | 6.303-122.0 | 1 | 36 | GEGENMUTTER PG13.5 / COUNTERNUT / CONTRE-ECROU | 6.641-480.0 | 1 |
| 5 | SICHERUNG / CLIP / CONSOLIDATION | 6.343-006.0 | 2 | 37 | KABEL / CABLE / CABLE | 4.820-161.0 | 1 |
| 6 | BOLZEN / BOLT / BOULON | 6.373-322.0 | 2 | | / 1.619-901.0 / -917.0 / -920.0 / -921.0 / -922.0 | | |
| 7 | ZYL.SCHR. M 5X 12 / CHEESE HEAD SCREW / VIS A TETE CYLINDR. | 7.306-443.0 | 1 | 37 | KABEL MIT STECKER / CABLE / CABLE | 6.641-110.0 | 1 |
| 8 | FEDERRING B 5 / SPRING WASHER / RONDELLE GROWER | 7.313-002.0 | 1 | | / 1.619-904.0 | | |
| 9 | WINKEL / ANGLE / ANGLE | 5.021-953.0 | 1 | 38 | CEE-STECKER 16A / CEE-PLUG / CEE-FICHE | 6.646-030.0 | 1 |
| 10 | HALTER / BRACKET / FIXATION | 5.042-257.0 | 1 | 39 | TANK / TANK / RESERVOIR | 5.071-024.0 | 1 |
| 11 | ZUENDKABEL / IGNITION CABLE / FIL D'AMORCE | 4.821-045.0 | 2 | 40 | SIEB D 70 / STRAINER / CREPINE | 6.414-275.0 | 1 |
| 12 | KERZENSTECKER / SPARK PLUG SOCKET / COSSE DE BOUGIE | 6.618-076.0 | 2 | 41 | DECKEL / COVER / COUVERCLE | 5.063-217.0 | 1 |
| 13 | HALTER / BRACKET / FIXATION | 5.042-320.0 | 1 | 42 | HALTER / BRACKET / FIXATION | 5.042-253.0 | 2 |
| 14 | PLATTE / PLATE / PLAQUE | 5.002-402.0 | 1 | 43 | BL.SCHR. ST5,5X55,0 / SHEET METAL SCREW / VIS A TOLE | 6.305-005.0 | 3 |
| 15 | SCHRAUBE M 5X 12 / SCREW / VIS | 7.303-038.0 | 2 | 44 | GRIFF / HANDLE / POIGNEE | 5.321-121.0 | 1 |
| 16 | SCHLAUCH DN 7 / HOSE / TUYAU FLEXIBLE | 6.388-225.0 | 2 | 45 | SCHRAUBE M 6X 50 / SCREW / VIS | 7.306-133.0 | 4 |
| | ALS METERWARE BESTELLEN/TO ORDER AS CUT GOODS/COMMANDE COMME MARCHANDISE AU METRE | | | 46 | SCHEIBE 6 / WASHER / RONDELLE | 7.312-276.0 | 4 |
| 17 | SCHLAUCHSCHELLE / HOSE BAND CLIP / COLLIER DE SERRAGE | 6.388-559.0 | 2 | 47 | 6KT-MUTTER M 6 / HEXAGON NUT / ECROU HEXAGONAL | 7.311-425.0 | 4 |
| 18 | FORMTEIL / MOULDED PART / PREFORME | 5.030-355.0 | 1 | 48 | HALTER / BRACKET / FIXATION | 5.042-254.0 | 1 |
| 19 | O-RING 47,0 X 4,5 / GASKET / BAQUE D'ETANCHEITE | 6.362-490.0 | 1 | 49 | ERSATZTEILSET / SPARE PARTS KIT / KIT DE PIECES | 2.883-017.0 | 1 |
| 20 | O-RING 80,0 X 4,5 / GASKET / BAQUE D'ETANCHEITE | 6.362-491.0 | 1 | | | | |
| 21 | TANK / TANK / RESERVOIR | 5.071-025.0 | 1 | | | | |
| 22 | LINSENSCHR. M 5X 16 / OVAL HEAD SCREW / VIS A TETE BOMBEE | 7.306-308.0 | 2 | | | | |
| 23 | SCHEIBE 5 / WASHER / RONDELLE | 7.312-278.0 | 2 | | | | |
| 24 | AUFLAGER / SUPPORT / SUPPORT | 5.057-024.0 | 1 | | | | |
| 25 | HALTER / BRACKET / FIXATION | 5.042-256.0 | 2 | | | | |
| 27 | SCHEIBENRAD 300 / WEB DISC WHEEL / ROUE PLEINE | 6.435-178.0 | 2 | | | | |
| 28 | SCHNELLBEFESTIGER / QUICK-FASTENER / ATTACHE RAPIDE | 6.343-137.0 | 2 | | | | |
| 29 | SCHRAUBE M 8X 16 / SCREW / VIS | 6.303-031.0 | 2 | | | | |
| 30 | ACHSE / AXLE / ESSIEU | 5.105-063.0 | 1 | | | | |
| 31 | SCHEIBE 24 / WASHER / RONDELLE | 7.312-060.0 | 8 | | | | |
| 32 | LENKROLLE 125 / CASTOR / ROUE PIVOTANTE | 6.435-071.0 | 1 | | | | |
| 33 | 6KT-SCHR. M 8X 16 / HEXAGONAL HEAD SCREW / VIS HEXAGONAL | 7.304-395.0 | 4 | | | | |

"=> xxxxxx" = bis Werknummer / up to serial No. / jusqu' au No. de fabr. / "xxxxxx =>" = ab Werknummer / from serial No. / a partir du No. de fabr. /

GRUPPE: 2.0 PUMPENSATZ
GROUP: 2.0 PUMP SET
GRUPPE: 2.0 JEU (ENSEMBLE) DE POMPE

A2

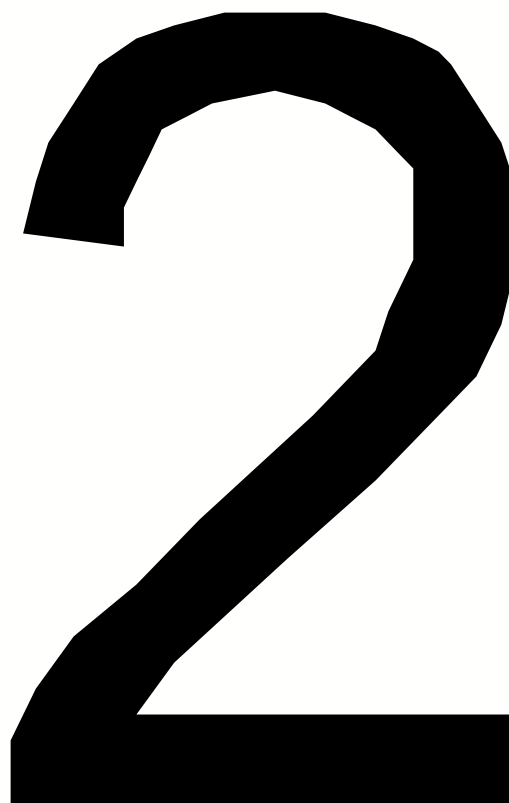
HDS 890

GRUPPE: 2.0 PUMPENSATZ
GROUP: 2.0 PUMP SET
GRUPPE: 2.0 JEU (ENSEMBLE) DE POMPE

GRUPPE: 2.1 PUMPENSATZ / /=> 19434 / GRUPPE: 2
GROUP: 2.1 PUMP SET / /=> 19434 / GROUP: 2
GROUPE: 2.1 JEU (ENSEMBLE) DE POMPE / /=> 19434 / GROUPE: 2

B2

HDS 890



Symbolbeschreibung siehe M16 / symbol description see M16 / désignation de système voir M16 /

GRUPPE: 2.1 PUMPENSATZ / /=> 19434 / GRUPPE: 2

GROUP: 2.1 PUMP SET / /=> 19434 / GROUP: 2

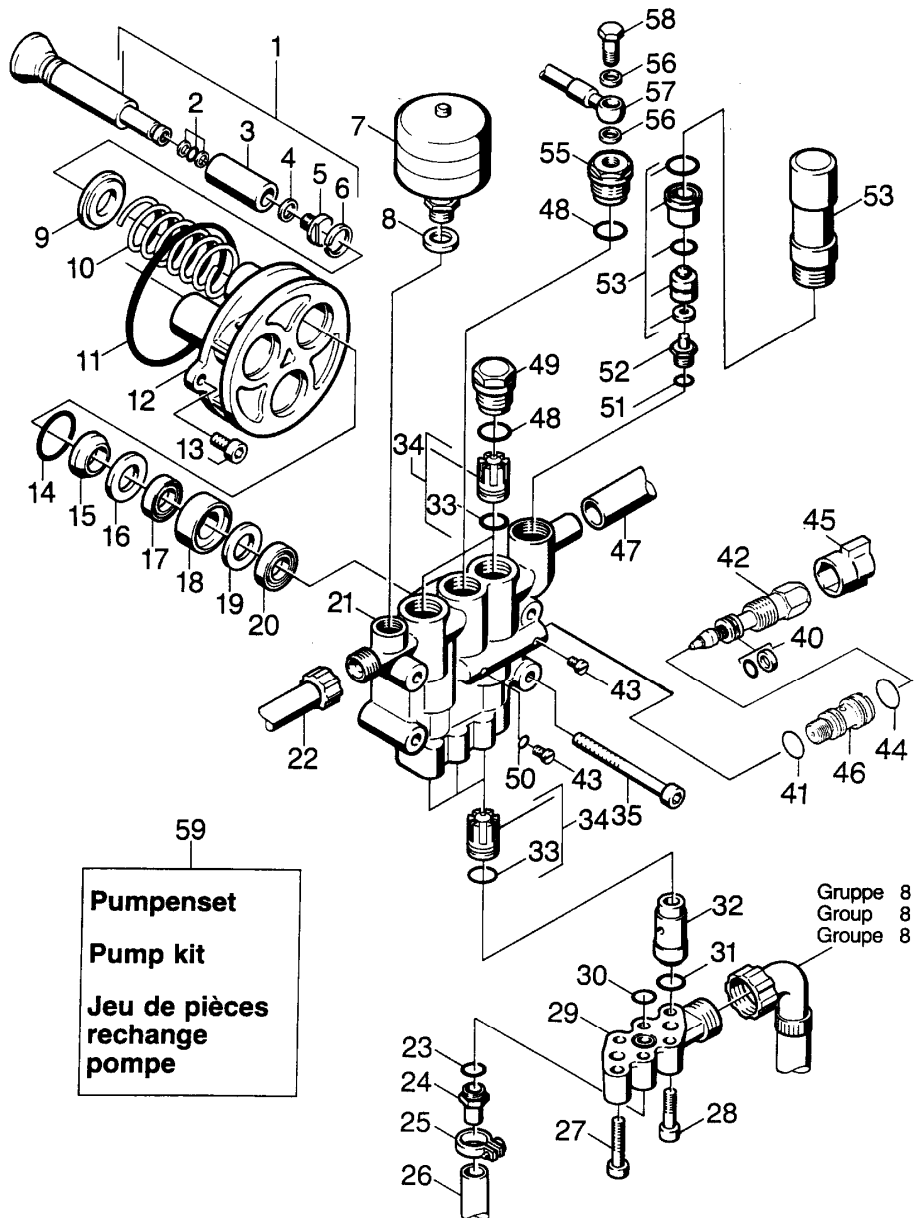
GROUPE: 2.1 JEU (ENSEMBLE) DE POMPE / /=> 19434 / GROUPE: 2

C2

HDS 890

| POS. ITM. POS. | BENNENNUNG DESCRIPTION DESIGNATION | TEILE-NR. PART-NO. NO.PIECE | STCK QTY. NBR. | POS. ITM. POS. | BENNENNUNG DESCRIPTION DESIGNATION | TEILE-NR. PART-NO. NO.PIECE | STCK QTY. NBR. |
|----------------------|--|-----------------------------------|----------------------|----------------------|--|-----------------------------------|----------------------|
| 1 | KOLBEN KPL. / PISTON / PISTON | 4.553-075.0 | 3 | 34 | VENTIL KPL. / VALVE / SOUPAPE | 4.580-117.0 | 6 |
| 2 | O-RING KPL./1ST.-R. / GASKET / BAQUE D'ETANCHEITE | 6.362-365.0 | 3 | 35 | ZYL.SCHR. M10X100 / CHEESE HEAD SCREW / VIS A TETE CYLINDR. | 7.306-066.0 | 4 |
| 3 | KERAMIKHUELSE / CERAMIC POD / DOUILLE CERAMIQUE | 5.110-220.0 | 3 | 36 | SPRENGRING A 6 / RETAINER / CIRCLIP | 6.343-143.0 | 1 |
| 4 | DICHTRING / JOINT RING / BAGUE D'ETANCHEITE | 5.363-162.0 | 3 | 37 | HUELSE / SLEEVE / DOUILLE | 5.110-226.0 | 1 |
| 5 | FORMSCHRAUBE / FORM SCREW / VIS | 5.305-111.0 | 3 | 38 | SCHRAUBENFEDER / HELICAL SPRING / RESSORT CYLINDRIQUE | 5.332-110.0 | 1 |
| 6 | SPRENGRING 20 / RETAINER / CIRCLIP | 6.472-331.0 | 3 | 39 | O-RING KPL./1ST.-R. / GASKET / BAQUE D'ETANCHEITE | 6.362-477.0 | 1 |
| 7 | DRUCKSPEICHER / PULSATION DAMPER / ANTI-BELIER | 6.505-028.0 | 1 | 41 | O-RING 8,0 X 1,5 / GASKET / BAQUE D'ETANCHEITE | 6.362-388.0 | 1 |
| 8 | DICHTRING 16 X20 / JOINT RING / BAGUE D'ETANCHEITE | 7.362-007.0 | 1 | 42 | SPINDEL / SPINDLE / PIVOT | 5.291-023.0 | 1 |
| 9 | SCHEIBE / WASHER / RONDELLE | 5.115-289.0 | 3 | 43 | SCHRAUBE M 3X 6 / SCREW / VIS | 7.306-051.0 | 1 |
| 10 | SCHRAUBENFEDER / HELICAL SPRING / RESSORT CYLINDRIQUE | 5.332-150.0 | 3 | 44 | SICHERUNGSFEDER / RETAINING SPRING / RESSORT D'ARRET | 6.313-003.0 | 1 |
| 11 | O-RING 100,0 X 1,78 / GASKET / BAQUE D'ETANCHEITE | 6.362-448.0 | 1 | 45 | GRIFF / HANDLE / POIGNEE | 5.321-111.0 | 1 |
| 12 | GEHAEUSE / HOUSING / BOITIER | 5.060-182.0 | 1 | 46 | STOPFEN / PLUG / BOUCHON | 5.132-010.0 | 1 |
| 13 | ZYL.SCHR. M 8X 20 / CHEESE HEAD SCREW / VIS A TETE CYLINDR. | 7.306-041.0 | 3 | 47 | SCHLAUCHSTUECK / HOSE / BOUT DE TUYAU | 5.442-503.0 | 1 |
| 14 | O-RING 34,65X 1,78 / GASKET / BAQUE D'ETANCHEITE | 6.362-484.0 | 3 | 48 | O-RING 17,0 X 2,5 / GASKET / BAQUE D'ETANCHEITE | 6.362-483.0 | 3 |
| 15 | NUTRING 20X28X6/8 / GROOVED RING / JOINT A LEVRES | 6.365-052.0 | 3 | 49 | VENTILSCHRAUBE / VALVE SCREW / VIS POINTEAU (SOUP.) | 5.583-060.0 | 2 |
| 16 | SCHEIBE / WASHER / RONDELLE | 5.115-255.0 | 3 | 51 | O-RING 10 X 1,5 / GASKET / BAQUE D'ETANCHEITE | 6.362-482.0 | 1 |
| 17 | KOMPAKTDI. 20X30X6 / SEAL / JOINT | 6.365-053.0 | 3 | 52 | VENTILSITZ / VALVE SEAT / SIEGE DE SOUPAPE | 5.581-134.0 | 1 |
| 18 | BUCHSE / BUSH / DOUILLE | 5.112-181.0 | 3 | 53 | SICHERHEITSENTIL / SAFETY VALVE / SOUPAPE (TROP-PLEIN) | 6.412-604.0 | 1 |
| 19 | SCHEIBE / WASHER / RONDELLE | 5.115-224.0 | 3 | 55 | VENTILSCHRAUBE / VALVE SCREW / VIS POINTEAU (SOUP.) | 5.583-062.0 | 1 |
| 20 | NUTRING / GROOVED RING / JOINT A LEVRES | 6.365-330.0 | 3 | 56 | DICHTRING 10 X13,5 / JOINT RING / BAGUE D'ETANCHEITE | 7.362-003.0 | 2 |
| 21 | ZYLINDERKOPF / CYLINDER HEAD / CULASSE | 4.550-084.0 | 1 | 57 | HD-SCHLAUCH DN 5 / HIGH PRESSURE HOSE / TUYAU FLEXIBLE HAUTE PRE. | 6.388-843.0 | 1 |
| 22 | HD-SCHLAUCH DN 8 / HIGH PRESSURE HOSE / TUYAU FLEXIBLE HAUTE PRE. | 6.388-859.0 | 1 | 58 | HOHLSCHRAUBE 6-3 / HOLLOW SCREW / BOULON CREUX | 7.386-363.0 | 1 |
| 23 | O-RING 15,0 X 2,0 / GASKET / BAQUE D'ETANCHEITE | 6.362-427.0 | 1 | 59 | PUMPENSET / PUMP SET / GROUPE DE POMPES | 2.880-283.0 | 1 |
| 24 | VENTIL / VALVE / SOUPAPE | 4.580-114.0 | 1 | | | | |
| 25 | SCHLAUCHSCHELLE / HOSE BAND CLIP / COLLIER DE SERRAGE | 6.388-515.0 | 1 | | | | |
| 26 | SCHLAUCH DN 7 / HOSE / TUYAU FLEXIBLE | 6.388-194.0 | 1 | | | | |
| | ALS METERWARE BESTELLEN/TO ORDER AS CUT GOODS/COMMANDE COMME MARCHANDISE AU METRE | | | | | | |
| 27 | SCHRAUBE M 6X 30 / SCREW / VIS | 7.306-105.0 | 4 | | | | |
| 28 | ZYL.SCHR. M 8X 30 / CHEESE HEAD SCREW / VIS A TETE CYLINDR. | 7.306-043.0 | 2 | | | | |
| 29 | VENTILGEHAEUSE / VALVE HOUSING / CORPS DE SOUPAPE | 5.587-107.0 | 1 | | | | |
| 30 | O-RING 12,42X 1,78 / GASKET / BAQUE D'ETANCHEITE | 6.362-480.0 | 1 | | | | |
| 31 | O-RING 15,3 X 2,4 / GASKET / BAQUE D'ETANCHEITE | 6.362-153.0 | 2 | | | | |
| 32 | HUELSE / SLEEVE / DOUILLE | 5.110-210.0 | 2 | | | | |
| 33 | O-RING 14,0 X 2,0 / GASKET / BAQUE D'ETANCHEITE | 6.362-481.0 | 6 | | | | |

"=> xxxxxx" = bis Werknummer / up to serial No. / jusqu' au No. de fabr. / "xxxxxx =>" = ab Werknummer / from serial No. / a partir du No. de fabr. /



Pumpenset
Pump kit
Jeu de pièces recharge pompe

Gruppe 8
 Group 8
 Groupe 8

GRUPPE: 2.2 PUMPENSATZ / 19435 =>

GROUP: 2.2 PUMP SET / 19435 =>

GROUPE: 2.2 JEU (ENSEMBLE) DE POMPE / 19435 =>

E2

HDS 890

| POS. ITM. POS. | BENNENNUNG DESCRIPTION DESIGNATION | TEILE-NR. PART-NO. NO.PIECE | STCK QTY. NBR. | POS. ITM. POS. | BENNENNUNG DESCRIPTION DESIGNATION | TEILE-NR. PART-NO. NO.PIECE | STCK QTY. NBR. |
|----------------------|--|-----------------------------------|----------------------|----------------------|---|-----------------------------------|----------------------|
| 1 | KOLBEN KPL. / PISTON / PISTON | 4.553-075.0 | 3 | 34 | VENTIL KPL. / VALVE / SOUPAPE | 4.580-117.0 | 6 |
| 2 | O-RING KPL./1ST.-R. / GASKET / BAQUE D'ETANCHEITE | 6.362-365.0 | 3 | 35 | ZYL.SCHR. M10X100 / CHEESE HEAD SCREW / VIS A TETE CYLINDR. | 7.306-066.0 | 4 |
| 3 | KERAMIKHUELSE / CERAMIC POD / DOUILLE CERAMIQUE | 5.110-220.0 | 3 | 40 | O-RING 12,42 KOMPL / GASKET / BAQUE D'ETANCHEITE | 6.362-575.0 | 1 |
| 4 | DICHTRING / JOINT RING / BAGUE D'ETANCHEITE | 5.363-162.0 | 3 | 41 | O-RING 10 X 1,5 / GASKET / BAQUE D'ETANCHEITE | 6.362-482.0 | 1 |
| 5 | FORMSCHRAUBE / FORM SCREW / VIS | 5.305-111.0 | 3 | 42 | SPINDEL / SPINDLE / PIVOT | 4.291-009.0 | 1 |
| 6 | SPRENGRING 20 / RETAINER / CIRCLIP | 6.472-331.0 | 3 | 43 | LINSENSCHR. M 4X 6 / OVAL HEAD SCREW / VIS A TETE BOMBEE | 7.306-323.0 | 1 |
| 7 | DRUCKSPEICHER / PULSATION DAMPER / ANTI-BELIER | 6.505-028.0 | 1 | 44 | O-RING 11,0 X 1,3 / GASKET / BAQUE D'ETANCHEITE | 6.362-402.0 | 1 |
| 8 | DICHTRING 16 X20 / JOINT RING / BAGUE D'ETANCHEITE | 7.362-007.0 | 1 | 45 | GRIFF / HANDLE / POIGNEE | 5.321-263.0 | 1 |
| 9 | SCHEIBE / WASHER / RONDELLE | 5.115-289.0 | 3 | 46 | HUELSE / SLEEVE / DOUILLE | 5.110-368.0 | 1 |
| 10 | SCHRAUBENFEDER / HELICAL SPRING / RESSORT CYLINDRIQUE | 5.332-150.0 | 3 | 47 | SCHLAUCHSTUECK / HOSE / BOUT DE TUYAU | 5.442-503.0 | 1 |
| 11 | O-RING 100,0 X 1,78 / GASKET / BAQUE D'ETANCHEITE | 6.362-448.0 | 1 | 48 | O-RING 17,0 X 2,5 / GASKET / BAQUE D'ETANCHEITE | 6.362-483.0 | 3 |
| 12 | GEHAEUSE / HOUSING / BOITIER | 5.060-182.0 | 1 | 49 | VENTILSCHRAUBE / VALVE SCREW / VIS POINTEAU (SOUP.) | 5.583-060.0 | 2 |
| 13 | ZYL.SCHR. M 8X 20 / CHEESE HEAD SCREW / VIS A TETE CYLINDR. | 7.306-041.0 | 3 | 50 | O-RING 4,0 X 1,0 / GASKET / BAQUE D'ETANCHEITE | 6.362-452.0 | 1 |
| 14 | O-RING 34,65X 1,78 / GASKET / BAQUE D'ETANCHEITE | 6.362-484.0 | 3 | 52 | VENTILSITZ / VALVE SEAT / SIEGE DE SOUPAPE | 5.581-134.0 | 1 |
| 15 | NUTRING 20X28X6/8 / GROOVED RING / JOINT A LEVRES | 6.365-052.0 | 3 | 53 | SICHERHEITSVENTIL / SAFETY VALVE / SOUPAPE (TROP-PLEIN) | 6.412-604.0 | 1 |
| 16 | SCHEIBE / WASHER / RONDELLE | 5.115-255.0 | 3 | 55 | VENTILSCHRAUBE / VALVE SCREW / VIS POINTEAU (SOUP.) | 5.583-062.0 | 1 |
| 17 | KOMPAKTDI. 20X30X6 / SEAL / JOINT | 6.365-053.0 | 3 | 56 | DICHTRING 10 X13,5 / JOINT RING / BAGUE D'ETANCHEITE | 7.362-003.0 | 2 |
| 18 | BUCHSE / BUSH / DOUILLE | 5.112-181.0 | 3 | 57 | HD-SCHLAUCH DN 5 / HIGH PRESSURE HOSE / TUYAU FLEXIBLE HAUTE PRE. | 6.388-843.0 | 1 |
| 19 | SCHEIBE / WASHER / RONDELLE | 5.115-224.0 | 3 | 58 | HOHLSCHRAUBE 6-3 / HOLLOW SCREW / BOULON CREUX | 7.386-363.0 | 1 |
| 20 | NUTRING / GROOVED RING / JOINT A LEVRES | 6.365-330.0 | 3 | 59 | PUMPENSET / PUMP SET / GROUPE DE POMPES | 2.880-283.0 | 1 |
| 21 | ZYLINDERKOPF KPL. / CYLINDER HEAD / CULASSE | 4.550-146.0 | 1 | | | | |
| 22 | HD-SCHLAUCH DN 8 / HIGH PRESSURE HOSE / TUYAU FLEXIBLE HAUTE PRE. | 6.388-859.0 | 1 | | | | |
| 23 | O-RING 15,0 X 2,0 / GASKET / BAQUE D'ETANCHEITE | 6.362-427.0 | 1 | | | | |
| 24 | VENTIL / VALVE / SOUPAPE | 4.580-114.0 | 1 | | | | |
| 25 | SCHLAUCHSCHELLE / HOSE BAND CLIP / COLLIER DE SERRAGE | 6.388-515.0 | 1 | | | | |
| 26 | SCHLAUCH DN 7 / HOSE / TUYAU FLEXIBLE | 6.388-194.0 | 1 | | | | |
| | ALS METERWARE BESTELLEN/TO ORDER AS CUT GOODS/COMMANDE COMME MARCHANDISE AU METRE | | | | | | |
| 27 | SCHRAUBE M 6X 30 / SCREW / VIS | 7.306-105.0 | 4 | | | | |
| 28 | ZYL.SCHR. M 8X 30 / CHEESE HEAD SCREW / VIS A TETE CYLINDR. | 7.306-043.0 | 2 | | | | |
| 29 | VENTILGEHAEUSE / VALVE HOUSING / CORPS DE SOUPAPE | 5.587-107.0 | 1 | | | | |
| 30 | O-RING 12,42X 1,78 / GASKET / BAQUE D'ETANCHEITE | 6.362-480.0 | 1 | | | | |
| 31 | O-RING 15,3 X 2,4 / GASKET / BAQUE D'ETANCHEITE | 6.362-153.0 | 2 | | | | |
| 32 | HUELSE / SLEEVE / DOUILLE | 5.110-210.0 | 2 | | | | |
| 33 | O-RING 14,0 X 2,0 / GASKET / BAQUE D'ETANCHEITE | 6.362-481.0 | 6 | | | | |

"=> xxxxxx" = bis Werknummer / up to serial No. / jusqu' au No. de fabr. / "xxxxxx =>" = ab Werknummer / from serial No. / a partir du No. de fabr. /

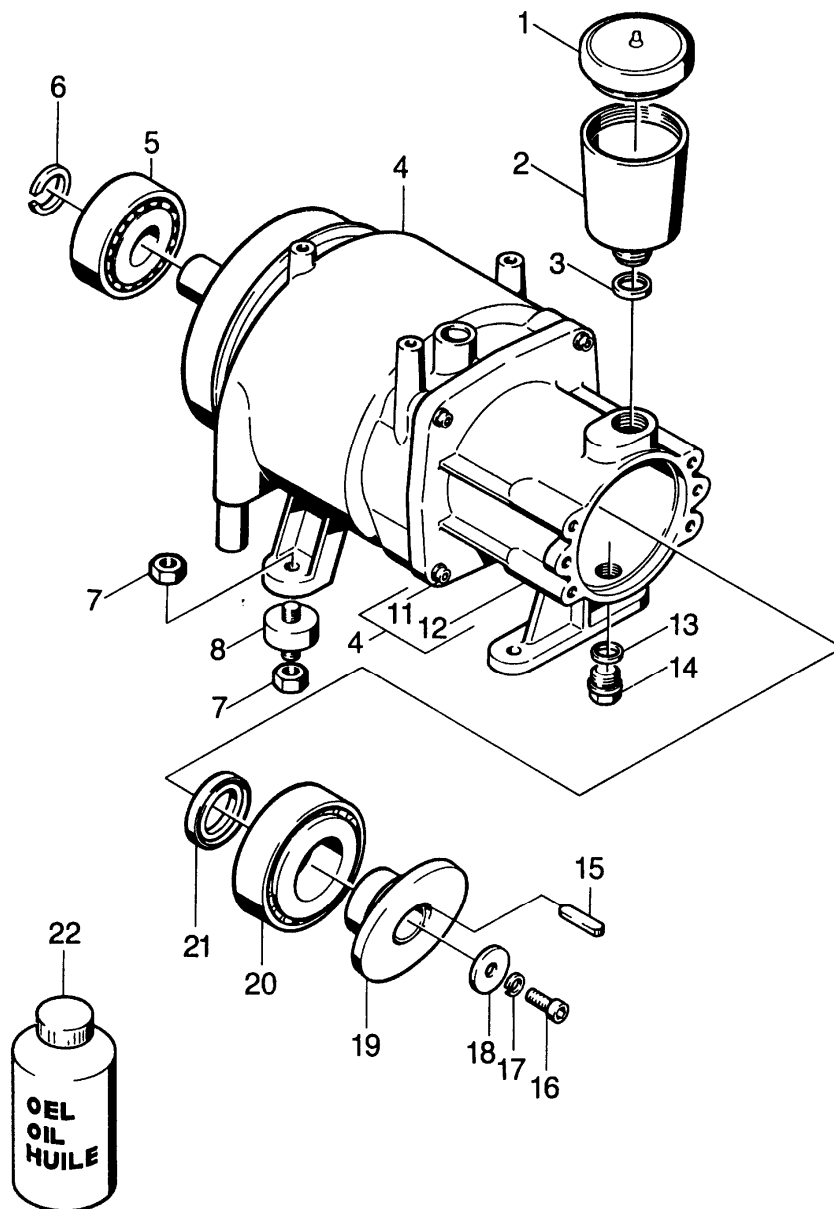
GRUPPE: 3.0 MOTOR / GRUPPE: 3
GROUP: 3.0 MOTOR / GROUP: 3
GRUPPE: 3.0 MOTEUR / GROUPE: 3

A3

HDS 890

GRUPPE: 3.0 MOTOR
GROUP: 3.0 MOTOR
GRUPPE: 3.0 MOTEUR

Ersatzteile unter www.gluensing.net



Symbolbeschreibung siehe M16 / symbol description see M16 / désignation de système voir M16 /

GRUPPE: 3.0 MOTOR / GRUPPE: 3
GROUP: 3.0 MOTOR / GROUP: 3
GROUPE: 3.0 MOTEUR / GROUPE: 3

C3

HDS 890

| POS. ITM. POS. | BENNENUNG DESCRIPTION DESIGNATION | TEILE-NR. PART-NO. NO.PIECE | STCK QTY. NBR. |
|----------------------|--|-----------------------------------|----------------------|
| 1 | DECKEL / COVER / COUVERCLE | 5.063-189.0 | 1 |
| 2 | BEHAELTER / TANK / BAC | 5.070-048.0 | 1 |
| 3 | DICHTRING / JOINT RING / BAGUE D'ETANCHEITE | 5.363-100.0 | 1 |
| 4 | E-MOTOR 4,5KW / ELECTRIC MOTOR / MOTEUR ELECTRIQUE | 6.611-689.0 | 1 |
| 5 | KUGELLAGER 6305-2Z / BALL BEARING / ROULEMENT A BILLE | 6.401-253.0 | 1 |
| 6 | S-RING 25X1,2 / SPRING CLIP / CIRCLIP | 7.343-008.0 | 1 |
| 7 | 6KT-MUTTER M 8 / HEXAGON NUT / ECROU HEXAGONAL | 7.311-510.0 | 8 |
| 8 | GUMMIPUFFER M8 / RUBBER BUFFER / BUTOIR CAOUTCHOUC | 6.339-060.0 | 4 |
| 11 | SCHRAUBE M 6X 30 / SCREW / VIS | 7.306-105.0 | 3 |
| 12 | GEHAEUSE / HOUSING / BOITIER | 5.060-181.0 | 1 |
| 13 | DICHTRING 18 X22 / JOINT RING / BAGUE D'ETANCHEITE | 7.362-009.0 | 1 |
| 14 | VS-SCHRAUBE M18X1,5 / CLOSING SCREW / VIS DE FERMETURE | 7.382-235.0 | 1 |
| 15 | PASSFEDER 5X 3X 12 / SPRING / RESSORT D'ADJUSTAGE | 7.318-012.0 | 1 |
| 16 | ZYL.SCHR. M 8X 20 / CHEESE HEAD SCREW / VIS A TETE CYLINDR. | 7.306-041.0 | 1 |
| 17 | FEDERRING 8 / SPRING WASHER / RONDELLE GROWER | 7.313-051.0 | 1 |
| 18 | SCHEIBE 8 / WASHER / RONDELLE | 7.312-261.0 | 1 |
| 19 | TAUMELSCHEIBE / SWASH PLATE / DISQUE EN NUTATION | 5.120-123.0 | 1 |
| 20 | KEGELROLLENLAGER 41 / TAPER ROLLER BEARIN / PALIER A ROULEAUX | 6.401-225.0 | 1 |
| 21 | RWDR A35 X 52 X 7 / ROTARY SHAFT SEAL / JOINT (ARBRE) | 7.367-009.0 | 1 |
| 22 | GETRIEBEOEL 1L / GEAR LUBRICANT OIL / HUILE A ENGRENAGES | 6.288-016.0 | 11 |

"=> xxxxxx" = bis Werknummer / up to serial No. / jusqu' au No. de fabr. / "xxxxxx =>" = ab Werknummer / from serial No. / a partir du No. de fabr. /

GRUPPE: 4.0 GEBLAESE / GRUPPE: 4
GROUP: 4.0 BLOWER / GROUP: 4
GRUPPE: 4.0 VENTILATEUR / GROUPE: 4

A4

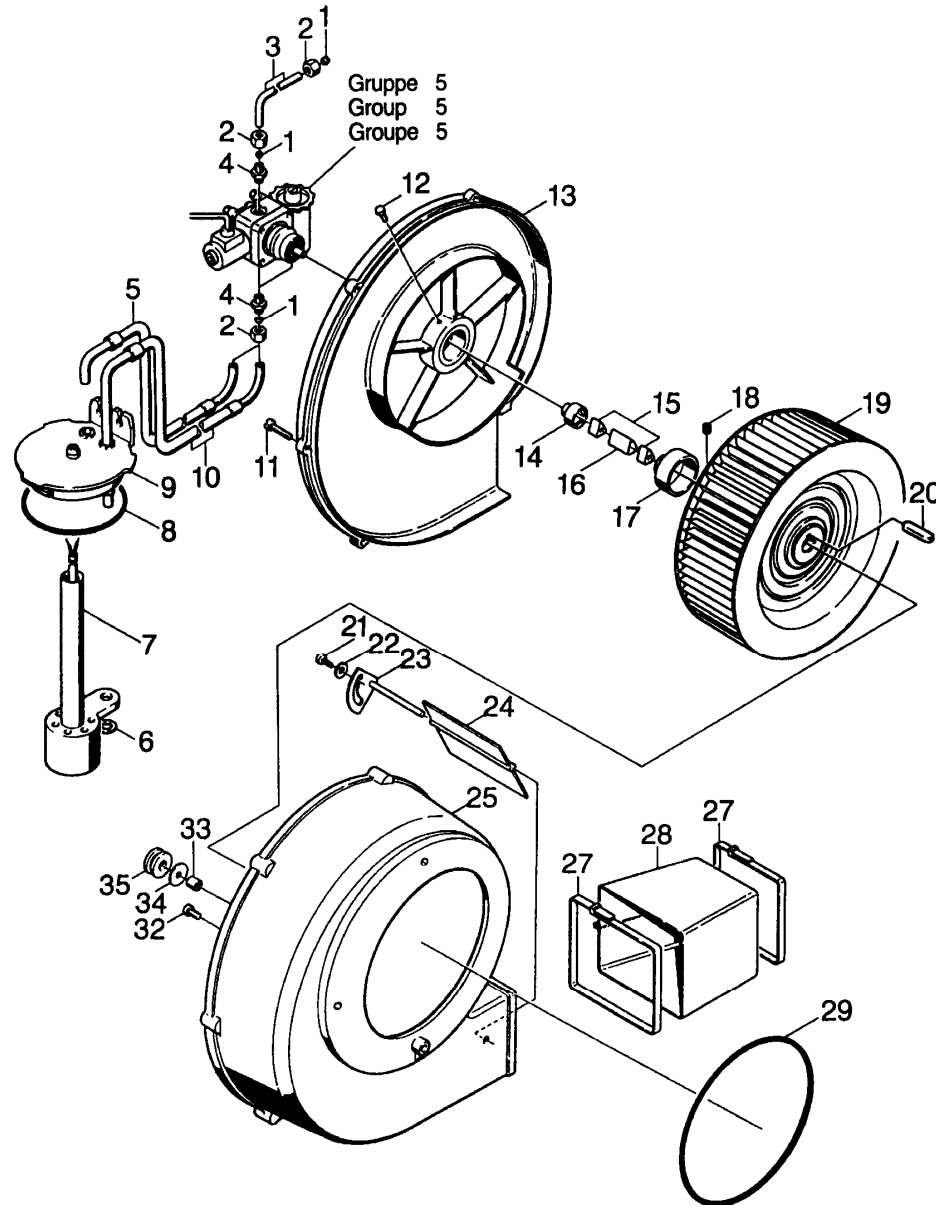
HDS 890

GRUPPE: 4.0 GEBLAESE
GROUP: 4.0 BLOWER
GRUPPE: 4.0 VENTILATEUR

GRUPPE: 4.0 GEBLAESE / GRUPPE: 4
GROUP: 4.0 BLOWER / GROUP: 4
GROUPE: 4.0 VENTILATEUR / GROUPE: 4

B4

HDS 890



Symbolbeschreibung siehe M16 / symbol description see M16 / désignation de système voir M16 /

GRUPPE: 4.0 GEBLAESE / GRUPE: 4
GROUP: 4.0 BLOWER / GROUP: 4
GROUPE: 4.0 VENTILATEUR / GROUPE: 4

C4

HDS 890

| POS. ITM. POS. | BENNENUNG DESCRIPTION DESIGNATION | TEILE-NR. PART-NO. NO.PIECE | STCK QTY. NBR. |
|----------------------|--|-----------------------------------|----------------------|
| 1 | SCHNEIDRING D 6-L/S / CUTTING RING / BAGUE COUPANTE | 6.386-160.0 | 4 |
| 2 | UE-MUTTER A 6-L / UNION NUT / ECROU RACOURD | 6.386-346.0 | 4 |
| 3 | LEITUNGSROHR / PIPE / TUBE CONDUCTEUR | 5.423-013.0 | 1 |
| 4 | STUTZEN 6-L1/8NPT / CONNECTION PIECE / TUBULURE | 6.386-181.0 | 3 |
| 5 | SCHLAUCHLEITUNG / HOSE ASSEMBLY / CONDUITE | 6.388-333.0 | 1 |
| 6 | SICHERUNGSSCHEIBE / LOCK WASHER / RONDELLE D'ARRET | 6.343-119.0 | 1 |
| 7 | NIVEAUFUEHLER / LEVEL PROBE / DETECTEUR DE NIVEAU | 6.631-439.0 | 1 |
| 8 | O-RING 68,0 X 4,0 / GASKET / BAQUE D'ETANCHEITE | 6.362-474.0 | 1 |
| 9 | FORMTEIL / MOULDED PART / PREFORME | 5.030-434.0 | 1 |
| 10 | SCHLAUCHLEITUNG / HOSE ASSEMBLY / CONDUITE | 6.388-334.0 | 1 |
| 11 | BL.SCHR. ST4,8X25-C / SHEET METAL SCREW / VIS A TOLE | 7.309-022.0 | 7 |
| 12 | SCHRAUBE M 6X 16 / SCREW / VIS | 7.306-090.0 | 1 |
| 13 | DECKEL / COVER / COUVERCLE | 5.063-206.0 | 1 |
| 14 | KUPPLUNGSTEIL / COUPLING ELEMENT / PIECE D'ACCOUPL. | 6.463-008.0 | 1 |
| 15 | KUPPLUNGSTEIL / COUPLING ELEMENT / PIECE D'ACCOUPL. | 6.463-020.0 | 2 |
| 16 | KUPPLUNGSTEIL / COUPLING ELEMENT / PIECE D'ACCOUPL. | 5.471-050.0 | 1 |
| 17 | KUPPLUNGSTEIL / COUPLING ELEMENT / PIECE D'ACCOUPL. | 5.471-049.0 | 1 |
| 18 | GEW.STIFT M 8X 6 / THREADED PIN / VIS SANS TETE | 7.307-407.0 | 1 |
| 19 | GEBLAESERAD ALU / BLOWER WHEEL / ROUE DE VENTILATEUR | 6.484-048.0 | 1 |
| 20 | PASSFEDER 5X 5X 16 / SPRING / RESSORT D'ADJUSTAGE | 7.318-002.0 | 1 |
| 21 | BL.SCHR. ST4,8X16 / SHEET METAL SCREW / VIS A TOLE | 7.303-077.0 | 1 |
| 22 | SCHEIBE 5 / WASHER / RONDELLE | 7.312-278.0 | 1 |
| 23 | KLAPPENWELLE / FLAP SHAFT / ESSIEU | 5.603-012.0 | 1 |
| 24 | LUFTKLAPPE / AIR FLAP / VOLET D'ADMIS.D'AIR | 5.606-001.0 | 1 |
| 25 | GEHAEUSE / HOUSING / BOITIER | 5.605-073.0 | 1 |
| 27 | SPANNBAND / BANNER / BANDEROLE | 6.388-608.0 | 2 |
| 28 | TUCHMANSCHETTE / CLOTH COLLAR / MANCHETTE | 5.178-016.0 | 1 |
| 29 | O-RING 143,0 X 2,0 / GASKET / BAQUE D'ETANCHEITE | 6.362-456.0 | 1 |
| 32 | 6KT-SCHR. M 6X 25 / HEXAGONAL HEAD SCREW / VIS HEXAGONAL | 7.304-386.0 | 4 |
| 33 | HUELSE / SLEEVE / DOUILLE | 5.110-222.0 | 4 |
| 34 | SCHEIBE / WASHER / RONDELLE | 5.115-233.0 | 4 |
| 35 | GUMMIRING / RUBBER RING / RONDELLE CAOUTCHOUC | 5.379-008.0 | 4 |

"=> xxxxxx" = bis Werknummer / up to serial No. / jusqu' au No. de fabr. / "xxxxxx =>" = ab Werknummer / from serial No. / a partir du No. de fabr. /

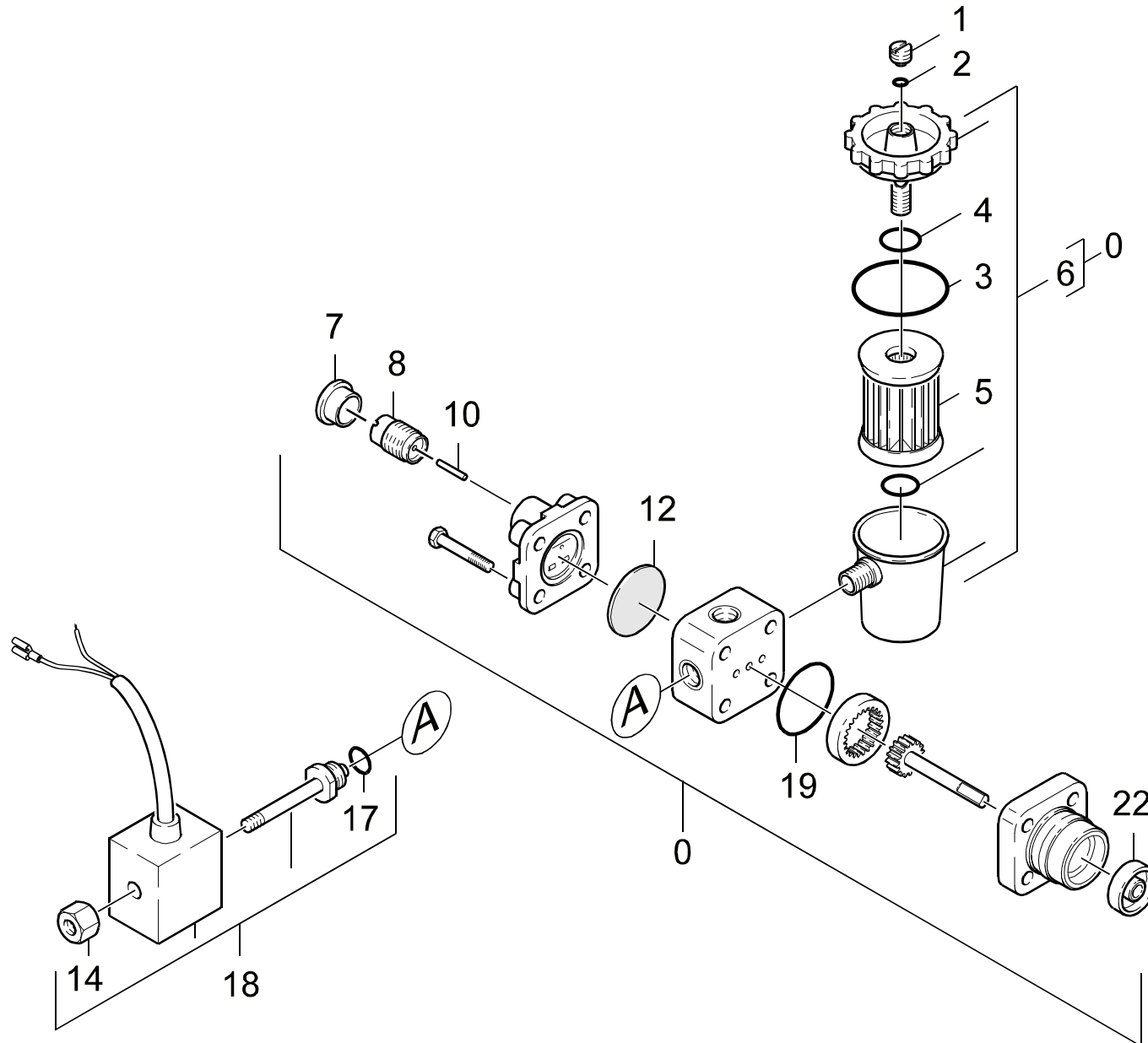
GRUPPE: 5.0 BRENNSTOFFPUMPE
GROUP: 5.0 FUEL PUMP
GRUPPE: 5.0 POMPE DE COMBUSTIBLE

A5

HDS 890

GRUPPE: 5.0 BRENNSTOFFPUMPE
GROUP: 5.0 FUEL PUMP
GRUPPE: 5.0 POMPE DE COMBUSTIBLE

Ersatzteile unter www.gluesing.net



Symbolbeschreibung siehe M16 / symbol description see M16 / désignation de système voir M16 /

GRUPPE: 5.0 BRENNSTOFFPUMPE
GROUP: 5.0 FUEL PUMP
GROUPE: 5.0 POMPE DE COMBUSTIBLE

C5

HDS 890

| POS. ITM. POS. | BENNENUN G DESCRIPTION DESIGNATION | TEILE-NR. PART-NO. NO.PIECE | STCK QTY. NBR. |
|----------------------|--|-----------------------------------|----------------------|
| 0 | BRENNSTOFFPUMPE / FUEL PUMP / POMPE DE COMBUSTIBLE | 6.472-925.0 | 1 |
| 1 | ENTLUEFTUNGSSCHR. / VENT SCREW / VIS D'AIR | 6.472-107.0 | 1 |
| 2 | O-RING 5,0 X 1,8 / GASKET / BAQUE D'ETANCHEITE | 6.472-106.0 | 1 |
| 3 | O-RING 32,0 X 1,6 / GASKET / BAQUE D'ETANCHEITE | 6.472-111.0 | 1 |
| 4 | O-RING 10,0 X 2,4 / GASKET / BAQUE D'ETANCHEITE | 6.472-112.0 | 1 |
| 5 | FILTEREINSATZ / FILTER CARTRIDGE / CARTOUCHE FILTRANTE | 6.472-113.0 | 1 |
| 6 | FILTERGEHAEUSE KPL. / FILTER CASE / BATI DE FILTRE | 6.472-123.0 | 1 |
| 7 | SCHUTZKAPPE / PROTECTIVE CAP / CAPOT PROTECTION | 6.472-122.0 | 1 |
| 8 | FEDERGEHAEUSE / SPRING HOUSING / BARILLET | 6.472-109.0 | 1 |
| 10 | STIFT / PIN / CHEVILLE | 6.472-108.0 | 1 |
| 12 | MEMBRANE / DIAPHRAGM / MEMBRANE | 6.472-128.0 | 1 |
| 14 | RAENDELMUTTER / KNURLED NUT / ECROU MOLETE | 6.472-340.0 | 1 |
| 17 | O-RING 12,0 X 1,5 / GASKET / BAQUE D'ETANCHEITE | 6.472-125.0 | 1 |
| 18 | MAGNETVENTIL KOMPL. / SOLENOID VALVE / ELECTROVANNE | 6.472-389.0 | 1 |
| 19 | O-RING 28,5 X 1,6 / GASKET / BAQUE D'ETANCHEITE | 6.472-120.0 | 1 |
| 22 | ACHSENDICHTUNG / SHAFT SEAL / ETOUPAGE D'ESSIEU | 6.472-105.0 | 1 |

"=> xxxxxx" = bis Werknummer / up to serial No. / jusqu' au No. de fabr. / "xxxxxx =>" = ab Werknummer / from serial No. / a partir du No. de fabr. /

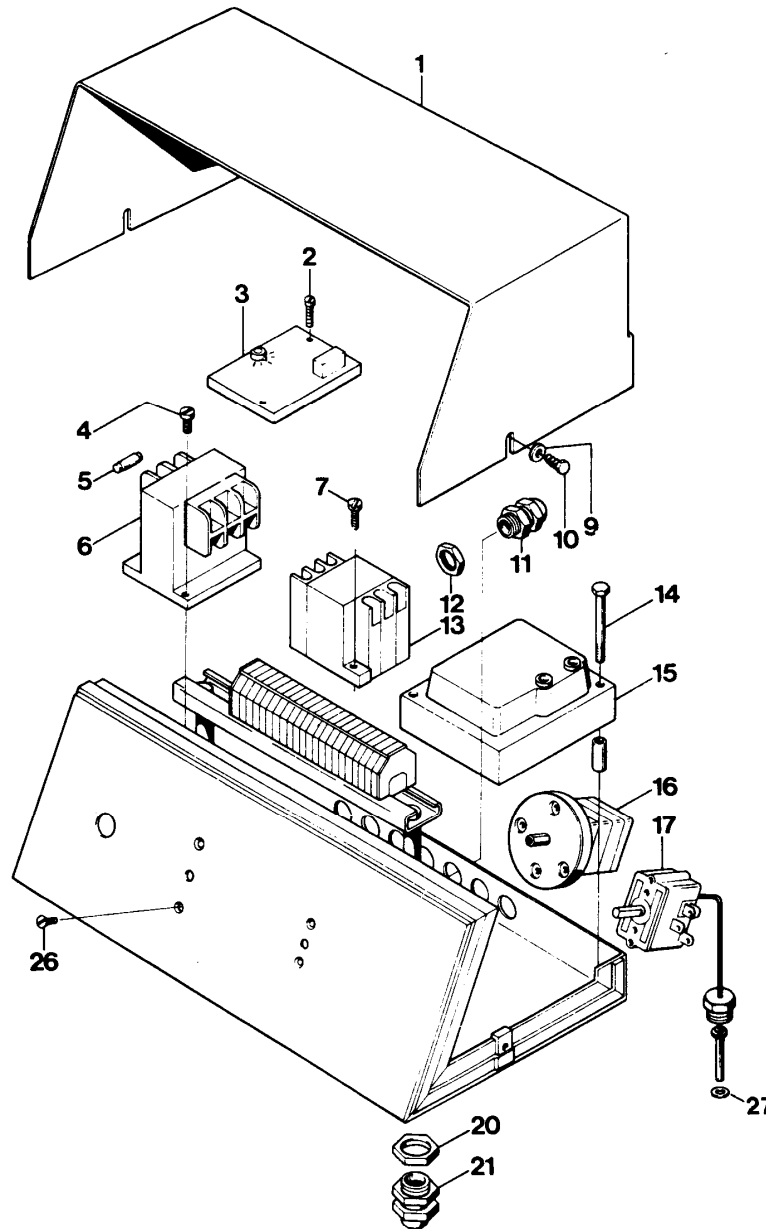
GRUPPE: 6.0 E-GERAETESCHRANK
GROUP: 6.0 ELECTRIC CONTROL BOX
GRUPPE: 6.0 COFFRET ELECTRIQUE

A6

HDS 890

GRUPPE: 6.0 E-GERAETESCHRANK
GROUP: 6.0 ELECTRIC CONTROL BOX
GRUPPE: 6.0 COFFRET ELECTRIQUE

Ersatzteile unter www.gluesing.net



Symbolbeschreibung siehe M16 / symbol description see M16 / désignation de système voir M16 /

GRUPPE: 6.0 E-GERAETESCHRANK
GROUP: 6.0 ELECTRIC CONTROL BOX
GROUPE: 6.0 COFFRET ELECTRIQUE

C6

HDS 890

| POS. ITM. POS. | BENNENUNNG DESCRIPTION DESIGNATION | TEILE-NR. PART-NO. NO.PIECE | STCK QTY. NBR. |
|----------------------|---|-----------------------------------|----------------------|
| 1 | HAUBE / COVER / CAPOT | 5.066-122.0 | 1 |
| 2 | SCHNEIDSCHR. M3X 16 / SELF-TAPPING SCREW / VIS AUTOTARAUEUSE | 6.303-014.0 | 2 |
| 3 | IMPULSGEBER / PULSE GENERATOR / CONTACTEUR | 6.633-090.0 | 1 |
| 4 | SCHNEIDSCHR. M4X 8 / SELF-TAPPING SCREW / VIS AUTOTARAUEUSE | 6.303-017.0 | 2 |
| 5 | G-SCHMELZEINSATZ / CARTRIDGE / BOUCHON FUSIBLE | 6.644-052.0 | 1 |
| 6 | STEUERTRAFO 40VA / TRANSFORMER / TRANSFORMATEUR | 6.622-021.0 | 1 |
| 7 | SCHRAUBE M 4X 16 / SCREW / VIS | 7.303-033.0 | 2 |
| 8 | SCHEIBE 4 / WASHER / RONDELLE | 7.312-001.0 | 2 |
| 9 | SCHEIBE 5 / WASHER / RONDELLE | 7.312-278.0 | 2 |
| 10 | BL.SCHR. ST4,8X16 / SHEET METAL SCREW / VIS A TOLE | 7.303-077.0 | 2 |
| 11 | KABELVERSCHR. PG 9 / CABLE CONNECTOR / RACCORD DE CABLES | 6.641-355.0 | 8 |
| 12 | GEGENMUTTER PG 9 / COUNTERNUT / CONTRE-ECROU | 6.641-366.0 | 8 |
| 13 | SCHUETZ / CONTACTOR / CONTACTEUR | 6.632-356.0 | 1 |
| 14 | SCHRAUBE M 5X 8 / SCREW / VIS | 7.303-036.0 | 2 |
| 15 | ZUENDTRAFO 400V50HZ / TRANSFORMER / TRANSFORMATEUR | 6.622-055.0 | 1 |
| 16 | SCHALTER / SWITCH / INTERRUPTEUR | 6.631-081.0 | 1 |
| 17 | TEMPERATURREGLER / THERMOSTAT / THERMOSTAT | 6.685-375.0 | 1 |
| 20 | GEGENMUTTER PG13,5 / COUNTERNUT / CONTRE-ECROU | 6.641-369.0 | 2 |
| 21 | KABELVERSCHR. / CABLE CONNECTOR / RACCORD DE CABLES | 6.641-613.0 | 2 |
| 26 | SENKSCHR. M 4X 8 / FLAT HEADED SCREW / VIS A TETE CONIQUE | 7.305-021.0 | 4 |
| 27 | SCHEIBE / WASHER / RONDELLE | 5.115-375.0 | 1 |

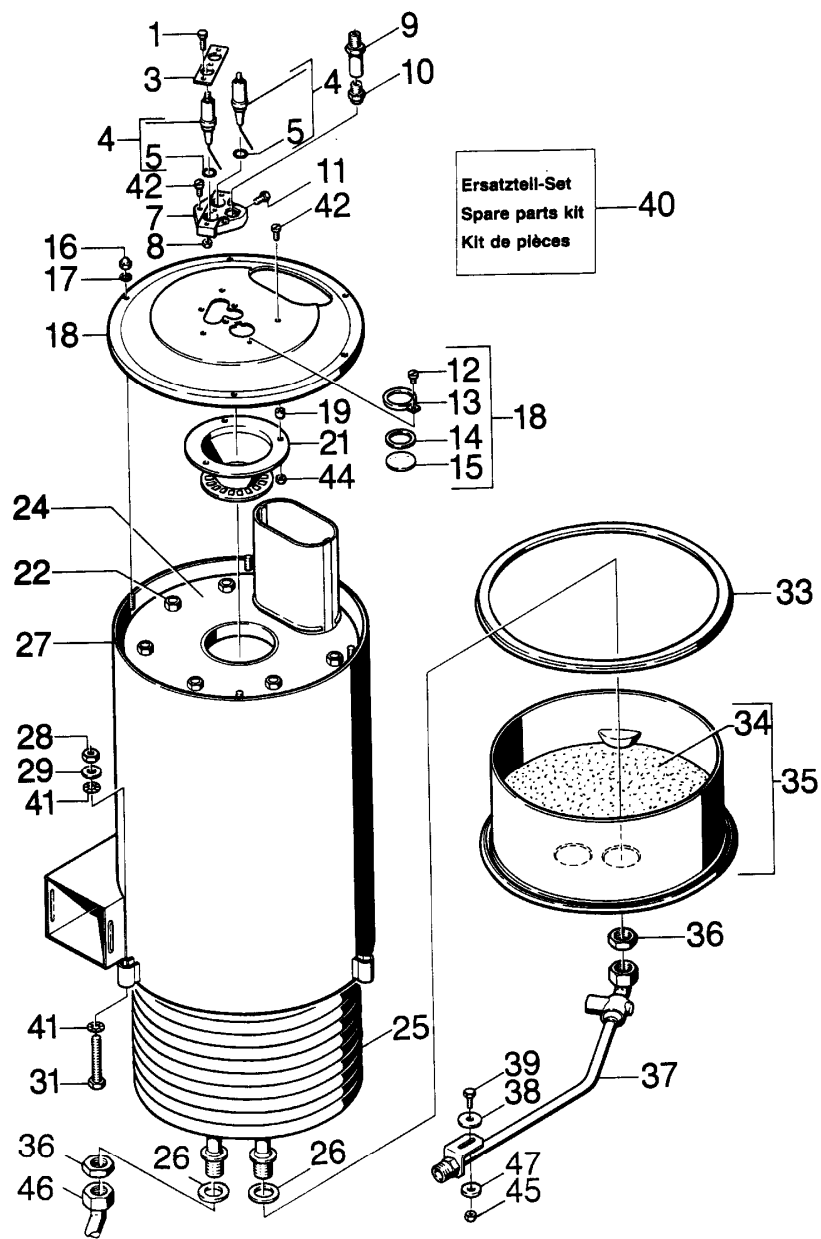
"=> xxxxxx" = bis Werknummer / up to serial No. / jusqu' au No. de fabr. / "xxxxxx =>" = ab Werknummer / from serial No. / a partir du No. de fabr. /

GRUPPE: 7.0 DURCHLAUFERHITZER / GRUPPE: 7
GROUP: 7.0 FLOW HEATER / GROUP: 7
GRUPPE: 7.0 CHAUFFE-EAU RAPIDE / GROUPE: 7

A7

HDS 890

GRUPPE: 7.0 DURCHLAUFERHITZER
GROUP: 7.0 FLOW HEATER
GRUPPE: 7.0 CHAUFFE-EAU RAPIDE



Ersatzteile unter www.gluesing.net

GRUPPE: 7.0 DURCHLAUFERHITZER / GRUPE: 7
 GROUP: 7.0 FLOW HEATER / GROUP: 7
 GROUPE: 7.0 CHAUFFE-EAU RAPIDE / GROUPE: 7

C7

HDS 890

| POS. ITM. POS. | BENNENNUNG DESCRIPTION DESIGNATION | TEILE-NR. PART-NO. NO.PIECE | STCK QTY. NBR. | POS. ITM. POS. | BENNENNUNG DESCRIPTION DESIGNATION | TEILE-NR. PART-NO. NO.PIECE | STCK QTY. NBR. |
|----------------------|--|-----------------------------------|----------------------|----------------------|---|-----------------------------------|----------------------|
| 1 | 6KT-SCHR. M 5X 16 / HEXAGONAL HEAD SCREW / VIS HEXAGONAL | 7.304-372.0 | 3 | 42 | ZYL.SCHR. M 5X 12 / CHEESE HEAD SCREW / VIS A TETE CYLINDR. | 7.306-443.0 | 7 |
| 3 | LASCHE / RETAINER CLIP / ECLISSE | 5.004-228.0 | 1 | 44 | 6KT-MUTTER M 5 / HEXAGON NUT / ECROU HEXAGONAL | 7.311-002.0 | 3 |
| 4 | ERSATZTEILSET / SPARE PARTS KIT / KIT DE PIECES | 2.880-177.0 | 1 | 45 | 6KT-MUTTER M 6 / HEXAGON NUT / ECROU HEXAGONAL | 7.311-003.0 | 1 |
| 5 | DICHTRING 12 X15,5 / JOINT RING / BAGUE D'ETANCHEITE | 7.362-004.0 | 2 | 46 | ROHRLEITUNG / PIPELINES / CONDUITE | 4.420-912.0 | 1 |
| 7 | KERZENHALTER / SPARK HOLDER / SUPPORT BOUGIE | 5.668-001.0 | 1 | 47 | SCHEIBE 6 / WASHER / RONDELLE | 7.312-276.0 | 1 |
| 8 | 6KT-MUTTER M 5 / HEXAGON NUT / ECROU HEXAGONAL | 7.311-037.0 | 3 | | | | |
| 9 | DUESENHALTER / NOZZLE HOLDER / PORTE - BUSE | 5.667-021.0 | 1 | | | | |
| 10 | DUESE 1,5 60G A / NOZZLE / BUSE | 6.415-040.0 | 1 | | | | |
| 11 | SCHRAUBE M 5X 12 / SCREW / VIS | 7.306-076.0 | 6 | | | | |
| 12 | BL.SCHR. ST3,5X 6,5 / SHEET METAL SCREW / VIS A TOLE | 7.303-136.0 | 1 | | | | |
| 13 | BLECH / PLATE / TOLE | 5.000-590.0 | 1 | | | | |
| 14 | FLACHDICHTUNG / GASKET / GARNITURE PLATE | 5.364-100.0 | 1 | | | | |
| 15 | GLASSCHEIBE / GLASS PANE / VITRE | 6.278-014.0 | 1 | | | | |
| 16 | HUTMUTTER M 6 / CAP NUT / ECROU BORGNE | 7.311-380.0 | 3 | | | | |
| 17 | ZAHNSCHEIBE A 6,4 / LOCK WASHER / ROUE PLATE | 7.312-167.0 | 2 | | | | |
| 18 | DECKEL D.K / COVER / COUVERCLE | 4.654-089.0 | 1 | | | | |
| 19 | HUELSE / SLEEVE / DOUILLE | 5.110-315.0 | 3 | | | | |
| 21 | BRENNEREINSATZ / BURNER CAGE / BRULEUR CAGE | 4.663-060.0 | 1 | | | | |
| 22 | 6KT-MUTTER M 6 / HEXAGON NUT / ECROU HEXAGONAL | 7.311-039.0 | 4 | | | | |
| 24 | BRENNEREINSATZ / BURNER CAGE / BRULEUR CAGE | 4.663-057.0 | 1 | | | | |
| 25 | HEIZSCHLANGE / HEATING COIL / SERPENTIN | 4.680-126.0 | 1 | | | | |
| 26 | PROFILDICHTUNG / SEAL / ETOUPE PROFILE | 5.365-068.0 | 2 | | | | |
| 27 | AUSSENMANTEL / OUTER JACKET / ENVELOPPE | 4.652-055.0 | 1 | | | | |
| 28 | 6KT-MUTTER M10 / HEXAGON NUT / ECROU HEXAGONAL | 7.311-511.0 | 3 | | | | |
| 29 | SCHEIBE 10 / WASHER / RONDELLE | 7.312-005.0 | 3 | | | | |
| 31 | 6KT-SCHR. M10X 65 / HEXAGONAL HEAD SCREW / VIS HEXAGONAL | 7.304-422.0 | 3 | | | | |
| 32 | ZARGE / FRAME / HUISSIERE | 5.012-202.0 | 1 | | | | |
| 33 | DICHTSCHNUR / SEAL STRING / CORDE DE BOURRAGE | 6.366-009.0 | 1 | | | | |
| 34 | STAMPFMASSE 8KG / REFRACTORY MATERIAL / PISE REFRACT. DAME | 2.889-061.0 | 1 | | | | |
| 35 | BODEN D.K. / BOTTOM / FOND | 4.655-036.0 | 1 | | | | |
| 36 | 6KT-MUTTER M22X1,5 / HEXAGON NUT / ECROU HEXAGONAL | 7.311-155.0 | 2 | | | | |
| 37 | ROHRLEITUNG / PIPELINES / CONDUITE | 4.420-910.0 | 1 | | | | |
| 38 | UNTERLAGE / SPACER / COUSSINET | 5.378-058.0 | 1 | | | | |
| 39 | SCHRAUBE M 6X 16 / SCREW / VIS | 7.306-090.0 | 2 | | | | |
| 40 | ERSATZTEILSET / SPARE PARTS KIT / KIT DE PIECES | 2.880-266.0 | 1 | | | | |
| 41 | ZAHNSCHEIBE A 10,5 / LOCK WASHER / ROUE PLATE | 7.312-160.0 | 2 | | | | |

"=> xxxxxx" = bis Werknummer / up to serial No. / jusqu' au No. de fabr. / "xxxxxx =>" = ab Werknummer / from serial No. / a partir du No. de fabr. /

GRUPPE: 8.0 SCHWIMMERKASTEN
GROUP: 8.0 FLOAT CHEST
GRUPPE: 8.0 BOITE DU FLOTTEUR

A8

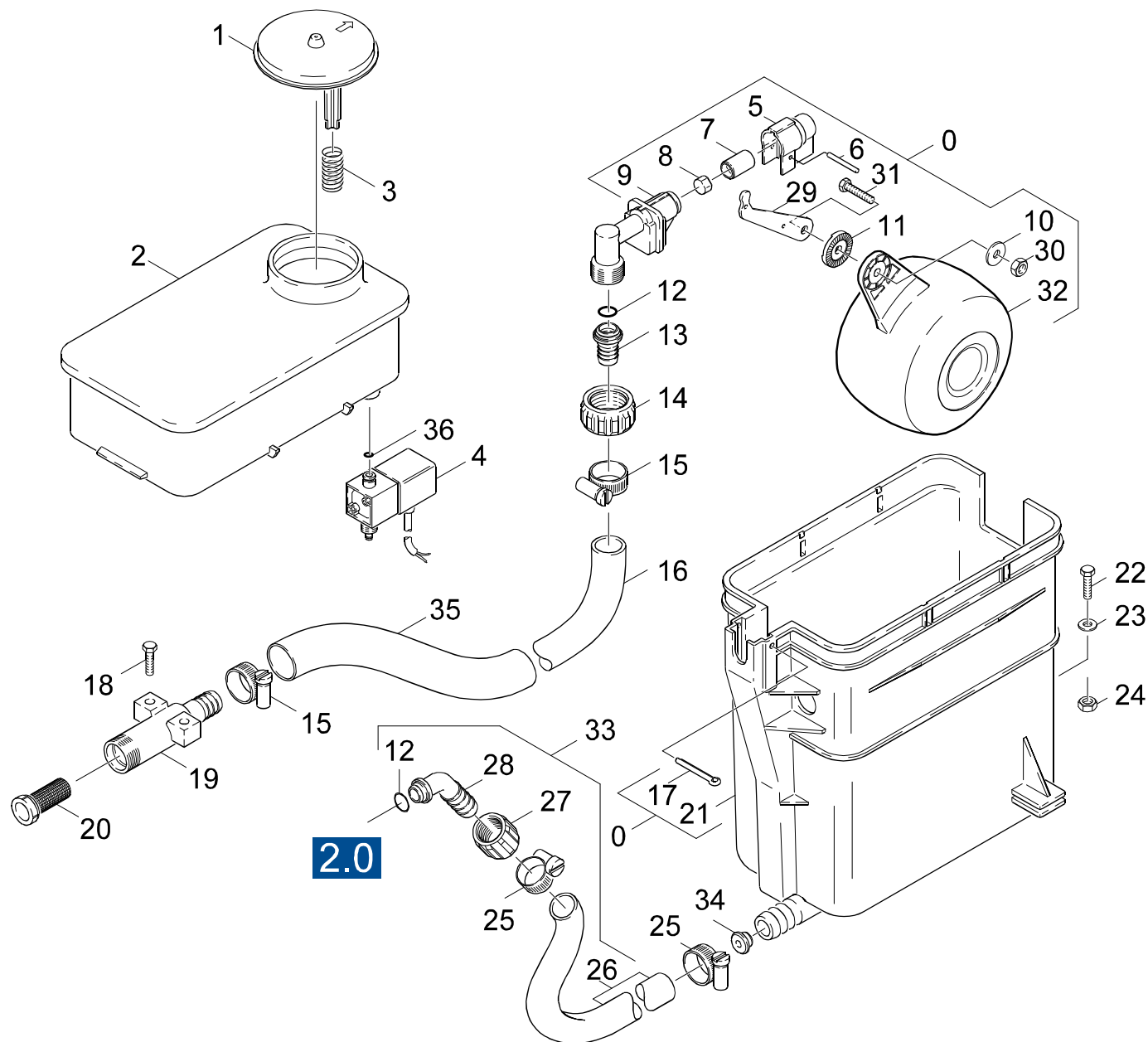
HDS 890

GRUPPE: 8.0 SCHWIMMERKASTEN
GROUP: 8.0 FLOAT CHEST
GRUPPE: 8.0 BOITE DU FLOTTEUR

GRUPPE: 8.0 SCHWIMMERKASTEN
 GROUP: 8.0 FLOAT CHEST
 GROUPE: 8.0 BOITE DU FLOTTEUR

B8

HDS 890



2.0

Symbolbeschreibung siehe M16 / symbol description see M16 / désignation de système voir M16 /

GRUPPE: 8.0 SCHWIMMERKASTEN
GROUP: 8.0 FLOAT CHEST
GROUPE: 8.0 BOITE DU FLOTTEUR

C8

HDS 890

| POS. ITM. POS. | BENNENUNG DESCRIPTION DESIGNATION | TEILE-NR. PART-NO. NO.PIECE | STCK QTY. NBR. |
|----------------------|--|-----------------------------------|----------------------|
| 0 | SCHWIMMERVENTIL / FLOAT VALVE / SOUPAPE A FLOTTEUR | 3.593-054.0 | 1 |
| 1 | DECKEL / COVER / COUVERCLE | 5.063-226.0 | 1 |
| 2 | BEHAELTER / TANK / BAC | 4.070-094.0 | 1 |
| 3 | SCHRAUBENFEDER / HELICAL SPRING / RESSORT CYLINDRIQUE | 5.332-001.0 | 1 |
| 4 | MAGNETVENTIL / SOLENOID VALVE / ELECTROVANNE | 6.685-210.0 | 1 |
| 5 | SCHUTZTEIL / PROTECTION PART / PARTIE PROTECTEUR | 5.394-066.0 | 1 |
| 6 | BOLZEN 3,0X 25 / BOLT / BOULON | 7.316-004.0 | 1 |
| 7 | VENTILBOLZEN / VALVE PIN / BOULON DE SOUPAPE | 5.584-026.0 | 1 |
| 8 | FLACHDICHTUNG / GASKET / GARNITURE PLATE | 5.364-095.0 | 1 |
| 9 | VENTILGEHAEUSE / VALVE HOUSING / CORPS DE SOUPAPE | 5.587-103.0 | 1 |
| 10 | SCHEIBE 6 / WASHER / RONDELLE | 7.312-279.0 | 1 |
| 11 | SCHEIBE / WASHER / RONDELLE | 5.115-158.0 | 1 |
| 12 | O-RING 13,3 X 2,4 / GASKET / BAQUE D'ETANCHEITE | 6.362-078.0 | 2 |
| 13 | SCHLAUCHNIPPEL / HOSE STEM / RACCORD DE FLEXIBLE | 5.443-224.0 | 1 |
| 14 | MUTTER R 3/4Z / NUT / ECROU | 5.310-061.0 | 1 |
| 15 | SCHLAUCHSCHELLE / HOSE BAND CLIP / COLLIER DE SERRAGE | 6.388-547.0 | 2 |
| 16 | SCHLAUCH DN16 / HOSE / TUYAU FLEXIBLE | 6.388-719.0 | 1 |
| 17 | SPLINT 4,0X 50 / COTTER / GOUPILLE FENDUE | 7.316-432.0 | 1 |
| 18 | SCHRAUBE M 6X 16 / SCREW / VIS | 7.306-090.0 | 1 |
| 19 | KNOTENSTUECK / MANIFOLD / FERRURE NODALE | 5.427-075.0 | 1 |
| 20 | SIEB / STRAINER / CREPINE | 6.414-141.0 | 1 |
| 21 | BEHAELTER / TANK / BAC | 5.070-064.0 | 1 |
| 22 | BL.SCHR. ST4,8X25,0 / SHEET METAL SCREW / VIS A TOLE | 7.303-364.0 | 2 |
| 23 | SCHEIBE 5 / WASHER / RONDELLE | 7.312-278.0 | 2 |
| 24 | SCHNAPPMUTTER 4,8 / SNAP NUT / ECROU A ENCLANCH. | 6.310-028.0 | 2 |
| 25 | KABELBAND 8-210 / CABLE TIE / PROTECT. DE CABLE | 6.641-474.0 | 2 |
| 26 | SCHLAUCH 19X4 / HOSE / TUYAU FLEXIBLE | 6.388-721.0 | 1 |
| 27 | MUTTER / NUT / ECROU | 5.310-062.0 | 1 |
| 28 | SCHLAUCHNIPPEL / HOSE STEM / RACCORD DE FLEXIBLE | 5.443-211.0 | 1 |
| 29 | HEBEL / LEVER / LEVIER | 5.481-029.0 | 1 |
| 30 | 6KT-MUTTER M 6 / HEXAGON NUT / ECROU HEXAGONAL | 7.311-422.0 | 1 |
| 31 | SCHRAUBE M 6X 20 / SCREW / VIS | 7.306-194.0 | 1 |
| 32 | SCHWIMMER / FLOAT / FLOTTEUR | 5.585-004.0 | 1 |
| 33 | SCHLAUCH / HOSE / TUYAU FLEXIBLE | 4.440-267.0 | 1 |
| 34 | BUCHSE / BUSH / DOUILLE | 5.112-189.0 | 1 |
| 35 | SCHLAUCHSTUECK / HOSE / BOUT DE TUYAU | 5.442-507.0 | 1 |
| 36 | O-RING 6,0 X 2,0 / GASKET / BAQUE D'ETANCHEITE | 6.362-113.0 | 1 |

"=> xxxxxx" = bis Werknummer / up to serial No. / jusqu' au No. de fabr. / "xxxxxx =>" = ab Werknummer / from serial No. / a partir du No. de fabr. /

GRUPPE: 9.0 SICHERHEITSBLOCK / GRUPPE: 9
GROUP: 9.0 SAFETY SYSTEM / GROUP: 9
GRUPPE: 9.0 BLOC DE SECURITE / GROUPE: 9

A9

HDS 890

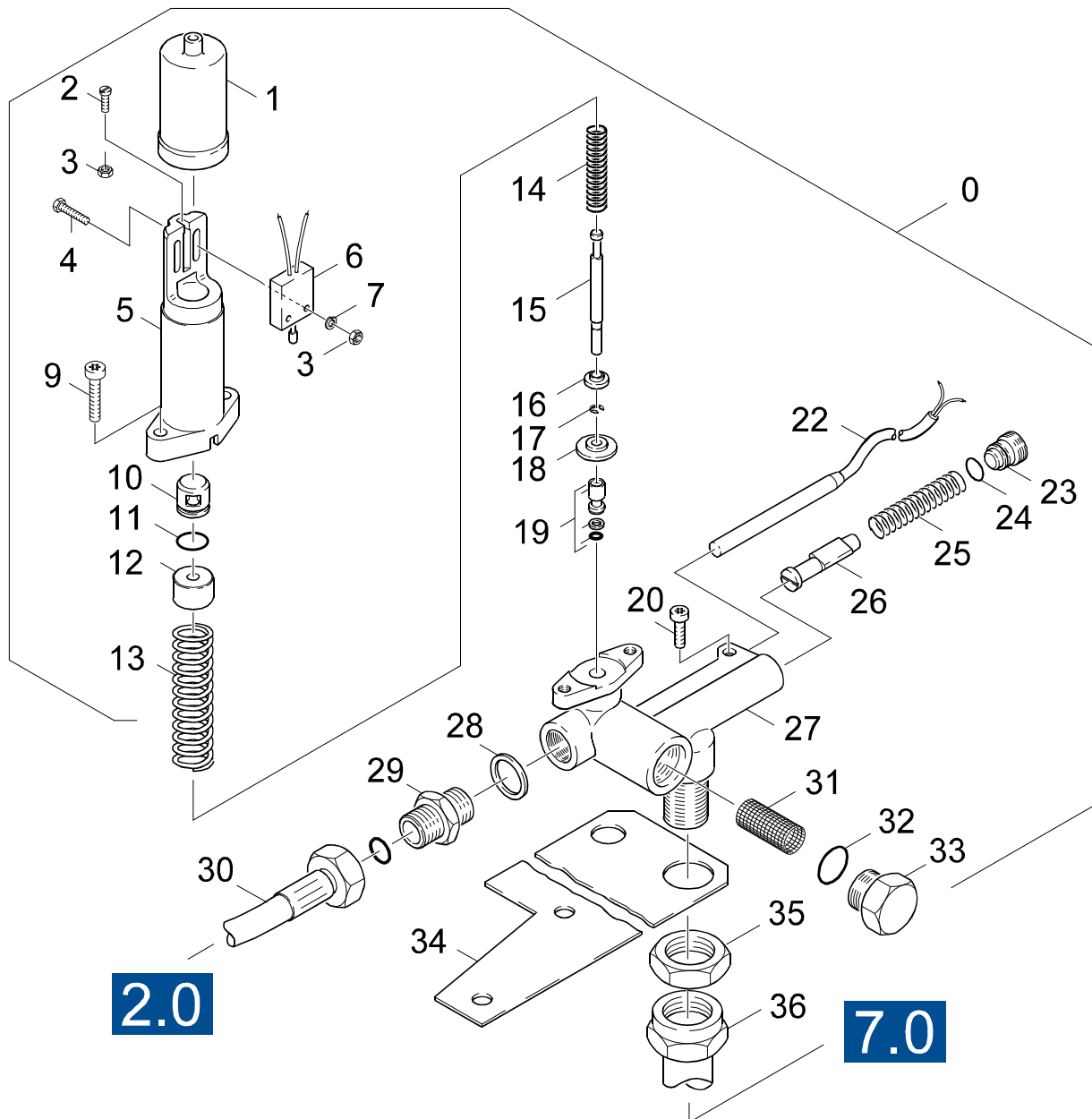
GRUPPE: 9.0 SICHERHEITSBLOCK
GROUP: 9.0 SAFETY SYSTEM
GRUPPE: 9.0 BLOC DE SECURITE

Ersatzteile unter www.gluesing.net

GRUPPE: 9.0 SICHERHEITSBLOCK / GRUPPE: 9
GROUP: 9.0 SAFETY SYSTEM / GROUP: 9
GROUPE: 9.0 BLOC DE SECURITE / GROUPE: 9

B9

HDS 890



Symbolbeschreibung siehe M16 / symbol description see M16 / désignation de système voir M16 /

GRUPPE: 9.0 SICHERHEITSBLOCK / GRUPE: 9
 GROUP: 9.0 SAFETY SYSTEM / GROUP: 9
 GROUPE: 9.0 BLOC DE SECURITE / GROUPE: 9

C9

HDS 890

| POS. ITM. POS. | BENNENNUNG DESCRIPTION DESIGNATION | TEILE-NR. PART-NO. NO.PIECE | STCK QTY. NBR. | POS. ITM. POS. | BENNENNUNG DESCRIPTION DESIGNATION | TEILE-NR. PART-NO. NO.PIECE | STCK QTY. NBR. |
|----------------------|---|-----------------------------------|----------------------|----------------------|--|-----------------------------------|----------------------|
| 0 | SICHERHEITSBLOCK / SAFETY SYSTEM / BLOC DE SECURITE / => 29546 | 4.749-047.0 | 1 | 30 | HD-SCHLAUCH DN 8 / HIGH PRESSURE HOSE / TUYAU FLEXIBLE HAUTE PRE. | 6.388-859.0 | 1 |
| 0 | SICHERHEITSBLOCK / SAFETY SYSTEM / BLOC DE SECURITE 29547 => | 4.749-085.0 | 1 | 31 | SIEB / STRAINER / CREPINE | 6.414-111.0 | 1 |
| 1 | SCHUTZTEIL / PROTECTION PART / PARTIE PROTECTEUR | 5.394-060.0 | 1 | 32 | O-RING 17,3 X 2,4 / GASKET / BAQUE D'ETANCHEITE | 6.362-160.0 | 1 |
| 2 | SCHRAUBE M 3X 16 / SCREW / VIS | 7.306-054.0 | 1 | 33 | VERSCHLUSSCHRAUBE / CLOSING SCREW / VIS DE FERMETURE | 5.411-059.0 | 1 |
| 3 | 6KT-MUTTER M 3 / HEXAGON NUT / ECROU HEXAGONAL | 7.311-000.0 | 3 | 34 | HALTER / BRACKET / FIXATION | 5.042-261.0 | 1 |
| 4 | 6KT-SCHR. M 3X 20 / HEXAGONAL HEAD SCREW / VIS HEXAGONAL | 7.304-352.0 | 2 | 35 | 6KT-MUTTER M22X1,5 / HEXAGON NUT / ECROU HEXAGONAL | 7.311-155.0 | 1 |
| 5 | GEHAEUSE / HOUSING / BOITIER | 5.060-099.0 | 1 | 36 | ROHRLEITUNG / PIPELINES / CONDUITE | 4.420-912.0 | 1 |
| 6 | MIKROSCHALTER / MICRO SWITCH / MICRORUPTEUR | 6.631-125.0 | 1 | | | | |
| 7 | FEDERRING B 3 / SPRING WASHER / RONDELLE GROWER | 7.313-000.0 | 2 | | | | |
| 9 | SCHRAUBE M 6X 30 / SCREW / VIS | 7.306-105.0 | 2 | | | | |
| 10 | KOLBEN / PISTON / PISTON | 5.553-046.0 | 1 | | | | |
| 11 | O-RING 12,0 X 2,0 / GASKET / BAQUE D'ETANCHEITE | 6.362-169.0 | 1 | | | | |
| 12 | BUCHSE / BUSH / DOUILLE / => 29546 | 5.112-185.0 | 1 | | | | |
| 12 | BUCHSE / BUSH / DOUILLE 29547 => | 5.112-347.0 | 1 | | | | |
| 13 | SCHRAUBENFEDER / HELICAL SPRING / RESSORT CYLINDRIQUE | 5.332-069.0 | 1 | | | | |
| 14 | SCHRAUBENFEDER / HELICAL SPRING / RESSORT CYLINDRIQUE | 5.332-070.0 | 1 | | | | |
| 15 | STANGE / BAR / TIGE | 5.107-023.0 | 1 | | | | |
| 16 | BUCHSE / BUSH / DOUILLE | 5.112-094.0 | 1 | | | | |
| 17 | S-SCHEIBE 4 / LOCK WASHER / RONDELLE D'ARRET | 7.343-203.0 | 1 | | | | |
| 18 | SCHEIBE / WASHER / RONDELLE | 5.115-147.0 | 1 | | | | |
| 19 | KOLBEN / PISTON / PISTON | 4.553-025.0 | 1 | | | | |
| 20 | SCHRAUBE M 6X 16 / SCREW / VIS | 7.306-090.0 | 1 | | | | |
| 22 | ERSATZREEDSCHALTER / SPARE REED SWITCH / INTERRUPT.REED DE RESERVE | 2.880-194.0 | 1 | | | | |
| 23 | FORMSCHRAUBE / FORM SCREW / VIS | 5.305-162.0 | 1 | | | | |
| 24 | O-RING 10 X 1,5 / GASKET / BAQUE D'ETANCHEITE | 6.362-482.0 | 1 | | | | |
| 25 | SCHRAUBENFEDER / HELICAL SPRING / RESSORT CYLINDRIQUE | 5.332-057.0 | 1 | | | | |
| 26 | KOLBEN / PISTON / PISTON | 4.553-022.0 | 1 | | | | |
| 27 | GEHAEUSE / HOUSING / BOITIER | 5.605-131.0 | 1 | | | | |
| 28 | DICHTRING 18 X22 / JOINT RING / BAGUE D'ETANCHEITE | 7.362-009.0 | 1 | | | | |
| 29 | STUTZEN A12 M18X1,5 / CONNECTION PIECE / TUBULURE | 7.386-476.0 | 1 | | | | |

"=> xxxxxx" = bis Werknummer / up to serial No. / jusqu' au No. de fabr. / "xxxxxx =>" = ab Werknummer / from serial No. / a partir du No. de fabr. /

GRUPPE: 10.0ZUBEHOER / GRUPPE: 10
GROUP: 10.0ACCESSORIES / GROUP: 10
GRUPPE: 10.0ACCESSOIRES / GROUPE: 10

A10

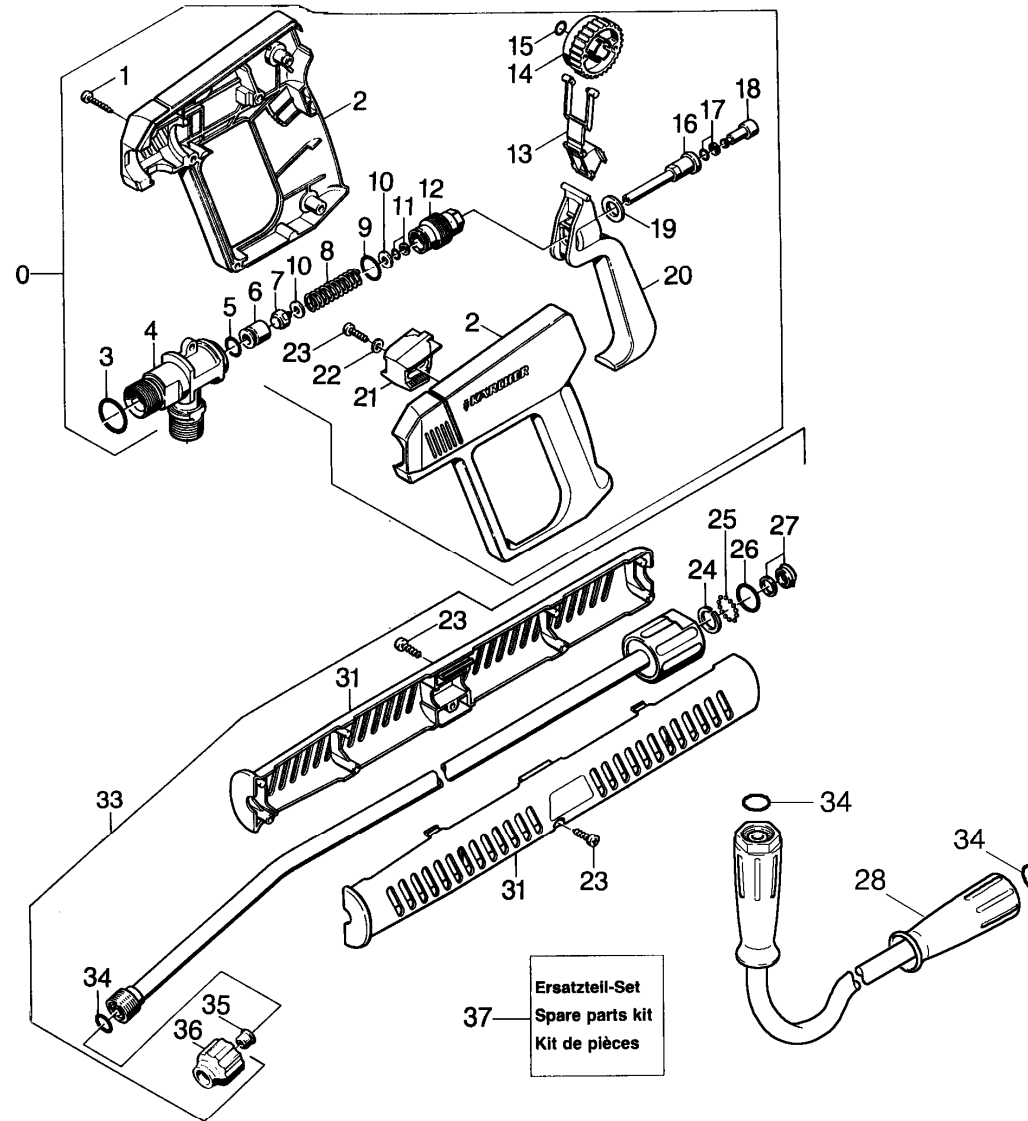
HDS 890

GRUPPE: 10.0ZUBEHOER
GROUP: 10.0ACCESSORIES
GRUPPE: 10.0ACCESSOIRES

GRUPPE: 10.0 ZUBEHOER / GRUPPE: 10
GROUP: 10.0 ACCESSORIES / GROUP: 10
GROUPE: 10.0 ACCESSOIRES / GROUPE: 10

B10

HDS 890



Symbolbeschreibung siehe M16 / symbol description see M16 / désignation de système voir M16 /

GRUPPE: 10.0ZUBEHOER / GRUPPE: 10
 GROUP: 10.0ACCESSORIES / GROUP: 10
 GROUPE: 10.0ACCESSOIRES / GROUPE: 10

C10

HDS 890

| POS. ITM. POS. | BENNENNUNG DESCRIPTION DESIGNATION | TEILE-NR. PART-NO. NO.PIECE | STCK QTY. NBR. | POS. ITM. POS. | BENNENNUNG DESCRIPTION DESIGNATION | TEILE-NR. PART-NO. NO.PIECE | STCK QTY. NBR. |
|----------------------|---|-----------------------------------|----------------------|----------------------|--|-----------------------------------|----------------------|
| 0 | HANDSPRITZPISTOLE / TRIGGER GUN / POIGNEE PISTOLET | 4.775-026.0 | 1 | 37 | PISTOLENSET / PISTOL SET / JEU DE PISTOLET | 2.883-014.0 | 1 |
| 1 | LINSENSCHR. 4,2X22 / OVAL HEAD SCREW / VIS A TETE BOMBEE | 6.303-024.0 | 8 | | | | |
| 2 | GRIFFPAAR / HANDLES / BRANCHES POIGNEE | 5.321-174.0 | 1 | | | | |
| 3 | O-RING 17,12X 2,62 / GASKET / BAQUE D'ETANCHEITE | 6.362-496.0 | 1 | | | | |
| 4 | KNOTENSTUECK / MANIFOLD / FERRURE NODALE | 5.427-079.0 | 1 | | | | |
| 5 | O-RING 7,59X 2,62 / GASKET / BAQUE D'ETANCHEITE | 6.362-479.0 | 1 | | | | |
| 6 | HUELSE / SLEEVE / DOUILLE | 5.110-348.0 | 1 | | | | |
| 7 | VENTILSITZ / VALVE SEAT / SIEGE DE SOUPAPE | 4.581-049.0 | 1 | | | | |
| 8 | SCHRAUBENFEDER / HELICAL SPRING / RESSORT CYLINDRIQUE | 5.332-140.0 | 1 | | | | |
| 9 | O-RING 12,42X 1,78 / GASKET / BAQUE D'ETANCHEITE | 6.362-478.0 | 1 | | | | |
| 10 | SCHEIBE / WASHER / RONDELLE | 5.115-260.0 | 2 | | | | |
| 11 | O-RING KPL./1ST.-R. / GASKET / BAQUE D'ETANCHEITE | 6.362-468.0 | 1 | | | | |
| 12 | FORMSCHRAUBE / FORM SCREW / VIS | 5.305-110.0 | 1 | | | | |
| 13 | FORMTEIL / MOULDED PART / PREFORME | 5.030-283.0 | 1 | | | | |
| 14 | HANDRAD / HAND WHEEL / VOLANT | 5.322-006.0 | 1 | | | | |
| 15 | O-RING 6,07X 1,78 / GASKET / BAQUE D'ETANCHEITE | 6.362-176.0 | 1 | | | | |
| 16 | STANGE / BAR / TIGE | 5.107-062.0 | 1 | | | | |
| 17 | O-RING KPL./1ST.-R. / GASKET / BAQUE D'ETANCHEITE | 6.362-477.0 | 1 | | | | |
| 18 | KOLBEN / PISTON / PISTON | 5.553-118.0 | 1 | | | | |
| 19 | SCHEIBE / WASHER / RONDELLE | 5.115-227.0 | 1 | | | | |
| 20 | HEBEL / LEVER / LEVIER | 5.481-039.0 | 1 | | | | |
| 21 | FORMTEIL / MOULDED PART / PREFORME | 5.030-459.0 | 1 | | | | |
| 22 | SCHEIBE 4 / WASHER / RONDELLE | 7.312-001.0 | 1 | | | | |
| 23 | LINSENSCHR. 4,2X16 / OVAL HEAD SCREW / VIS A TETE BOMBEE | 6.303-025.0 | 7 | | | | |
| 24 | DICHTRING 12X1,5 / JOINT RING / BAGUE D'ETANCHEITE | 6.362-529.0 | 2 | | | | |
| 25 | KUGEL 4,0 KL3 / BALL / BOULE | 7.401-921.0 | 24 | | | | |
| 26 | O-RING 17,0 X 1,5 / GASKET / BAQUE D'ETANCHEITE | 6.362-524.0 | 2 | | | | |
| 27 | NUTRING KPL.1ST.R. / GROOVED RING / JOINT A LEVRES | 6.362-532.0 | 2 | | | | |
| 28 | HD-SCHLAUCHLEITUNG / HIGH PRESSURE HOSE / CONDUITE HAUTE PERSSION | 6.388-083.0 | 1 | | | | |
| 31 | GRIFF / HANDLE / POIGNEE | 5.321-150.0 | 2 | | | | |
| 33 | STRAHLROHR KPL. / JET PIPE / LANCE D'INCENDIE | 4.760-550.0 | 1 | | | | |
| 34 | ERSATZTEILSET / SPARE PARTS KIT / KIT DE PIECES | 2.880-296.0 | 1 | | | | |
| 35 | DUES.MUNDST. 25G06 / NOZZLE MOUTHPIECE / NEZ DE BUSE | 6.415-295.0 | 1 | | | | |
| 36 | VERSCHRAUBUNGSTEIL / SCREW UNION PART / PIECE (RACCORD A VIS) | 5.401-129.0 | 1 | | | | |

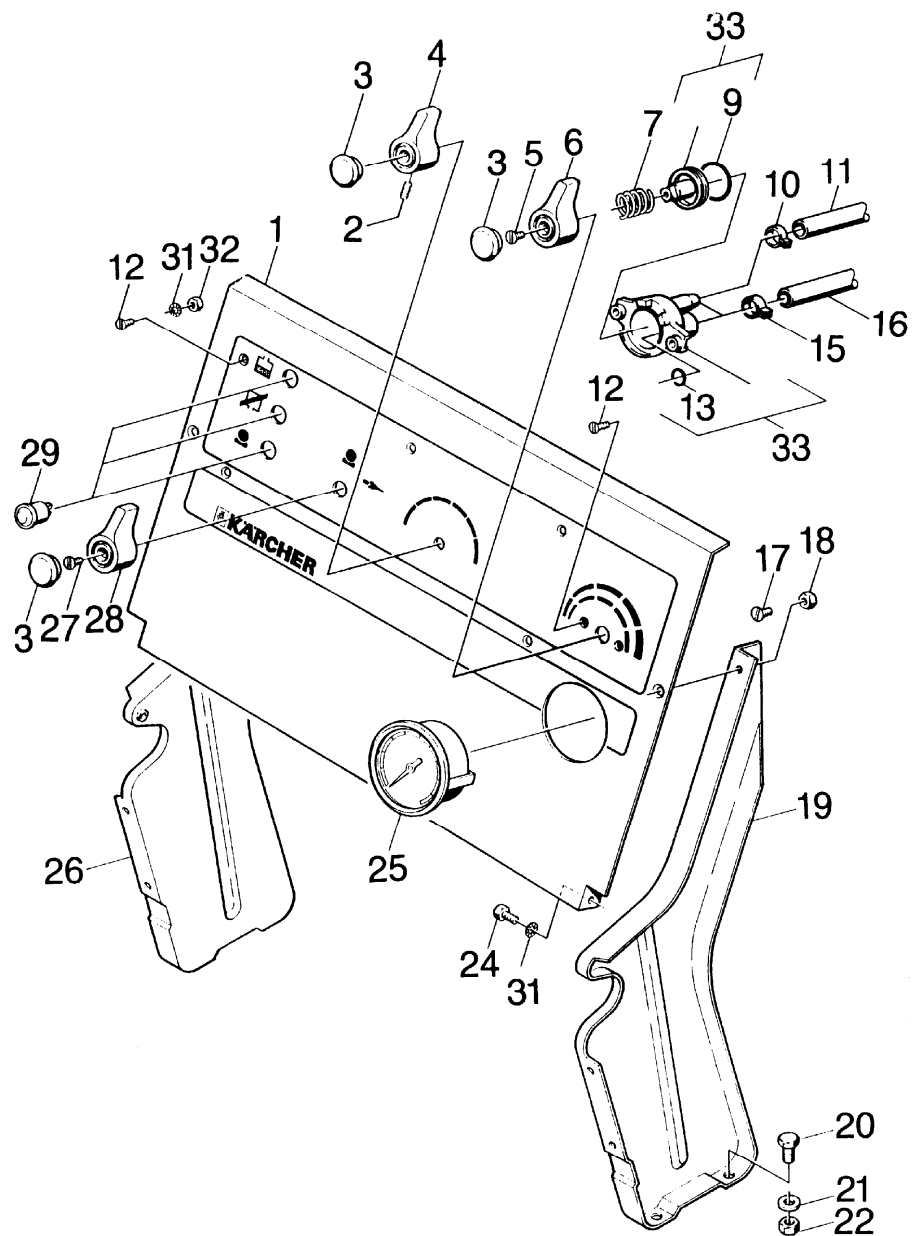
"=> xxxxxx" = bis Werknummer / up to serial No. / jusqu' au No. de fabr. / "xxxxxx =>" = ab Werknummer / from serial No. / a partir du No. de fabr. /

GRUPPE: 11.0INSTRUMENTENTAFEL / GRUPE: 11
GROUP: 11.0CONTROL PANEL / GROUP: 11
GRUPPE: 11.0TABLEAU DE BORD / GROUPE: 11

A11

HDS 890

GRUPPE: 11.0INSTRUMENTENTAFEL
GROUP: 11.0CONTROL PANEL
GRUPPE: 11.0TABLEAU DE BORD



Symbolbeschreibung siehe M16 / symbol description see M16 / désignation de système voir M16 /

GRUPPE: 11.0 INSTRUMENTENTAFEL / GRUPPE: 11
GROUP: 11.0 CONTROL PANEL / GROUP: 11
GROUPE: 11.0 TABLEAU DE BORD / GROUPE: 11

C11

HDS 890

| POS. ITM. POS. | BENNENUNG DESCRIPTION DESIGNATION | TEILE-NR. PART-NO. NO.PIECE | STCK QTY. NBR. |
|----------------------|--|-----------------------------------|----------------------|
| 1 | INSTRUMENTENTAFEL / CONTROL PANEL / TABLEAU DE BORD | 5.841-197.0 | 1 |
| 2 | GEW.STIFT M 5X 10 / THREADED PIN / VIS SANS TETE | 7.307-181.0 | 1 |
| 3 | STOPFEN / PLUG / BOUCHON | 5.132-010.0 | 3 |
| 4 | GRIFF / HANDLE / POIGNEE | 5.321-026.0 | 1 |
| 5 | SENKSCHR. M 4X 16 / FLAT HEADED SCREW / VIS A TETE CONIQUE | 7.305-023.0 | 1 |
| 6 | GRIFF / HANDLE / POIGNEE | 5.321-023.0 | 1 |
| 7 | SCHRAUBENFEDER / HELICAL SPRING / RESSORT CYLINDRIQUE | 5.332-028.0 | 1 |
| 9 | O-RING 26,0 X 2,5 / GASKET / BAQUE D'ETANCHEITE | 6.362-385.0 | 1 |
| 11 | SCHLAUCH DN 7 / HOSE / TUYAU FLEXIBLE | 6.388-194.0 | 1 |
| | ALS METERWARE BESTELLEN/TO ORDER AS CUT GOODS/COMMANDE COMME MARCHANDISE AU METRE | | |
| 12 | SENKSCHR. M 4X 10 / FLAT HEADED SCREW / VIS A TETE CONIQUE | 6.305-001.0 | 2 |
| 13 | O-RING 5 X 1,5 / GASKET / BAQUE D'ETANCHEITE | 6.362-386.0 | 1 |
| 15 | SCHLAUCHSCHELLE / HOSE BAND CLIP / COLLIER DE SERRAGE | 6.388-559.0 | 2 |
| 16 | SCHLAUCH DN 7 / HOSE / TUYAU FLEXIBLE | 6.388-225.0 | 2 |
| | ALS METERWARE BESTELLEN/TO ORDER AS CUT GOODS/COMMANDE COMME MARCHANDISE AU METRE | | |
| 17 | SENKSCHR. M 5X 10 / FLAT HEADED SCREW / VIS A TETE CONIQUE | 7.305-599.0 | 2 |
| 18 | 6KT-MUTTER M 5 / HEXAGON NUT / ECROU HEXAGONAL | 7.311-421.0 | 4 |
| 19 | STAENDER RECHTS / STAND / MONTANTS | 5.052-013.0 | 1 |
| 20 | 6KT-SCHR. M 8X 16 / HEXAGONAL HEAD SCREW / VIS HEXAGONAL | 7.304-395.0 | 8 |
| 21 | SCHEIBE 8 / WASHER / RONDELLE | 7.312-004.0 | 8 |
| 22 | 6KT-MUTTER M 8 / HEXAGON NUT / ECROU HEXAGONAL | 7.311-004.0 | 8 |
| 24 | SCHRAUBE M 5X 10 / SCREW / VIS | 7.306-071.0 | 2 |
| 25 | MANOMETER O-250 BAR / PRESSURE GAUGE / MANOMETRE | 6.421-075.0 | 1 |
| 26 | STAENDER LINKS / STAND / MONTANTS | 5.052-012.0 | 1 |
| 27 | ZYL.SCHR. M 3,5X 12 / CHEESE HEAD SCREW / VIS A TETE CYLINDR. | 7.306-415.0 | 1 |
| 28 | GRIFF / HANDLE / POIGNEE | 5.321-021.0 | 1 |
| 29 | ANZEIGELEUCHTE / PILOT LAMP / LAMPE TEMOIN | 6.651-058.0 | 3 |
| 31 | ZAHNSCHEIBE A 6,4 / LOCK WASHER / ROUE PLATE | 7.312-165.0 | 12 |
| 32 | 6KT-MUTTER M 4 / HEXAGON NUT / ECROU HEXAGONAL | 7.311-424.0 | 5 |
| 33 | VENTIL / VALVE / SOUPAPE | 4.580-064.0 | 1 |

"=> xxxxxx" = bis Werknummer / up to serial No. / jusqu' au No. de fabr. / "xxxxxx =>" = ab Werknummer / from serial No. / a partir du No. de fabr. /

Bestellhinweis

Bei Ihrer Bestellung sind unbedingt anzugeben :

| 1. | 2. | 3. | 4. | 5. |
|--|--|---|------------------------------------|------------------------------------|
| Gerätetyp Machine model Type d'appareils | Herstell-Nr. Serial-No. No. de série | Benennung Description Désignation | Teile-Nr. Part No. Référence | Stückzahl Piece No. Quantité |



**siehe Typenschild
see name-plate
voir plaque signalétique**



**siehe Ersatzteilliste
see spare parts list
voir liste des pièces de rechange**

- Die Ersatzteile, welche als Meterware geliefert werden, sind auf Einbaulänge selbst zu kürzen. Ebenso sind die Stückzahlen in den jeweiligen Gruppen als Mindestbestellmengen = 1m angegeben und können je nach Bedarf auf weitere volle Meterzahlen erhöht und bestellt werden.
- Spare Parts which are delivered as cut goods have to be shortened to installation length. The quotation of quantity in each group refers to the minimum order quantity = 1m and may be ordered and raised to further full metre-values according to demand
- Les pièces de rechange qui sont livrées comme marchandise au mètre sont à raccourcir selon la longueur d'installation. Les indications de quantité dans chaque group se réfèrent à des valeurs de mètre de plus.
- Diese Ersatzteilliste erscheint in gedruckter Form sowie als Mikrofiche. Bei Querverweisen bezieht sich die Angabe "Seitenzahl" auf die gedruckte Ersatzteilliste und die Angabe "Bildtafel" auf die Mikrofilmausgabe.
- This spare parts list is published both in printed form and as a microfiche. In the cross-references, "page number" refers to the printed spare parts list and "display table" to the microfilm edition.
- Cette liste de pièces de rechange est aussi bien imprimée que publiée sous forme de microfiche. Les indications transversales renvoient au "numéro de page" sur la liste imprimée des pièces de rechange et à la "planche" sur la microfiche.

Bitte beachten Sie, daß der Teileumfang dieser Ersatzteilliste nicht unbedingt dem Lieferumfang Ihres Geräte entspricht.

For your information: It could be that certain parts quoted in this spare parts list were not included with the machine delivery.

Pour votre information: il se peut que certaines pièces détachées mentionnées sur la liste ne vous aient pas été livrées avec l'appareil.

Die in dieser Ersatzteilliste nicht aufgeführten Einzelteile, bestellen Sie bitte direkt beim Vertragskundendienst des jeweiligen Herstellers.

Please order the individual parts not included in this assembly directly with the contract aftersales service of the manufacturer in question.

Veillez s'il vous plaît, commander les pièces détachées qui ne sont indiquées dans notre liste des pièces détachées, directement auprès du service après-vente des fabricants en question.

Bei Bestellung von lackierten Teilen, welche in der Ersatzteilliste nicht in verschiedenen Farben ausgewiesen sind, ist zusätzlich die Farbnummer oder Farbe mit anzugeben. Diese finden Sie auf dem Typenschild oder Farbschild Ihres Gerätes.

Upon ordering of varnished parts which are not mentioned in the spare parts list as parts with different colors, kindly additionally mention the number of the color. It can be seen on the type plate of the color plate of your machine.

Commandant des parts vernissés qui ne sont pas mentionnés comme parts avec une couleur différente dans la liste des pièces détachées, veuillez mentionner de plus le numéro de la couleur. Il se trouve sur la plaque signalétique ou la plaque de couleur de votre machine.

Auflistungen von Einzelteilen bei Ersatzteil - u. Pumpensets sind in der Reihe "16" einzusehen, bzw. direkt unter dem entsprechenden Set aufgelistet.

Listings of single parts upon spare parts kits and pump kits can be seen in row "16" or directly listed below the corresponding kit.
Des établissements des pièces détachées en ce qui concerne les kits des pièces de rechange et les kits de pompes, peuvent être vus à la ligne "16" ou ils sont répertoriés directement au-dessous du jeu correspondant.

Technische Änderungen im Rahmen der Weiterentwicklung sowie das Recht der ausschließlichen Auswertung unseres geistigen Eigentums behalten wir uns vor. Vervielfältigung und Nachdruck nur mit Genehmigung und Urheberhinweis möglich.

We reserve the right to make technical changes in the course of development work and the right to make exclusive use of our intellectual property. This spare parts list may be duplicated or reprinted only with our approval and with acknowledgement of our copyright.

Nous nous réservons le droit de toutes modifications techniques dans le cadre du perfectionnement des mises au point ainsi que le droit de la mise en valeur exclusive de notre propriété intellectuelle. Polycopie et reproduction exclusivement après accord et avec mention de l'auteur.

INDEX

M16

HDS 890

| | | | |
|---|-------|---|---------|
| GRUPPE: 1.0 EINZELTEILE GROUP: 1.0 PIECE PARTS GROUPE: 1.0 PIECES CONSTITUANTES | A1-C1 | GRUPPE: 9.0 SICHERHEITSBLOCK GROUP: 9.0 SAFETY SYSTEM GROUPE: 9.0 BLOC DE SECURITE | A9-C9 |
| GRUPPE: 2.0 PUMPENSATZ GROUP: 2.0 PUMP SET GROUPE: 2.0 JEU (ENSEMBLE) DE POMPE | A2-E2 | GRUPPE: 10.0 ZUBEHOER GROUP: 10.0 ACCESSORIES GROUPE: 10.0 ACCESSOIRES | A10-C10 |
| GRUPPE: 3.0 MOTOR GROUP: 3.0 MOTOR GROUPE: 3.0 MOTEUR | A3-C3 | GRUPPE: 11.0 INSTRUMENTENTAFEL GROUP: 11.0 CONTROL PANEL GROUPE: 11.0 TABLEAU DE BORD | A11-C11 |
| GRUPPE: 4.0 GEBLAESE GROUP: 4.0 BLOWER GROUPE: 4.0 VENTILATEUR | A4-C4 | | |
| GRUPPE: 5.0 BRENNSTOFFPUMPE GROUP: 5.0 FUEL PUMP GROUPE: 5.0 POMPE DE COMBUSTIBLE | A5-C5 | | |
| GRUPPE: 6.0 E-GERAETESCHRANK GROUP: 6.0 ELECTRIC CONTROL BOX GROUPE: 6.0 COFFRET ELECTRIQUE | A6-C6 | | |
| GRUPPE: 7.0 DURCHLAUFERHITZER GROUP: 7.0 FLOW HEATER GROUPE: 7.0 CHAUFFE-EAU RAPIDE | A7-C7 | | |
| GRUPPE: 8.0 SCHWIMMERKASTEN GROUP: 8.0 FLOAT CHEST GROUPE: 8.0 BOITE DU FLOTTEUR | A8-C8 | | |



BEISPIEL: VERSION 1
EXAMPLE: VERSION 1
EXEMPLE: VERSION 1

3.0

BEISPIEL: SIEHE IN GRUPPE 3
EXAMPLE: SEE IN GROUP 3
EXEMPLE: VOIR EN GROUPE 3



WICHTIGER HINWEIS
IMPORTANT REMARK
REMARQUAGE IMPORTANT

BESTELLMERKUNG SIEHE M15
EXAMPLE ORDER SEE M15
EXEMPLE DE COMMANDE VOIR M15

VARIANTENÜBERSICHT SIEHE L16
VARIANTS SURVEY SEE L16
VUE D'ENSEMBLE DE VARIANTS VOIR L16