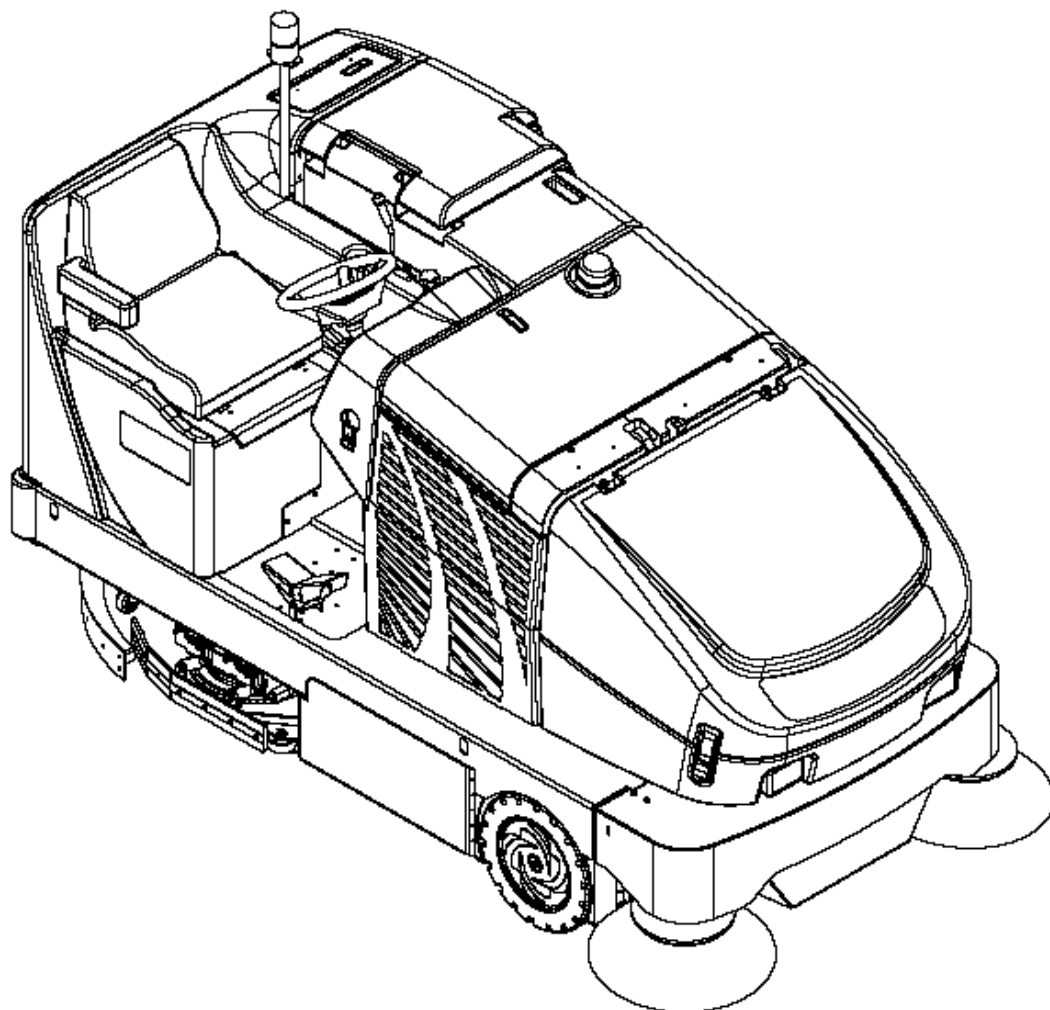


PARTS LIST



2019.04.17

www.nilfisk.com



Ersatzteile unter www.gluesing.net

TABLE OF CONTENTS

| | |
|---|----|
| Optional kits and accessories - Main Parts | 1 |
| Chassis system - Main Parts | 3 |
| Chassis system sub-assemblies-1 - Main Parts | 6 |
| Chassis system sub-assemblies-2-CR - Main Parts | 8 |
| Control system - Main Parts | 10 |
| Control system sub-assemblies - Main Parts | 12 |
| Decal system - Main Parts | 15 |
| Detergent injektion system - control box assy - Main Parts | 17 |
| Detergent injektion system - pump assy - Main Parts | 20 |
| Drive wheel system - Main Parts | 22 |
| Dust control system - Main Parts | 24 |
| Electrical system - Main Parts | 26 |
| Front wheel system - Main Parts | 28 |
| Hopper system - Main Parts | 30 |
| Hopper system sub-assemblies - Main Parts | 33 |
| Main broom system - Main Parts | 35 |
| Main broom system sub-assemblies - Main Parts | 37 |
| Recovery system - Main Parts | 39 |
| Recovery tank assembly (CR 1100" Models) - Main Parts | 41 |
| Recovery tank assembly (CR 1200 and 1400 Models) - Main Parts | 43 |
| Scrub system (CR 1100 and 1200 Models) - Main Parts | 45 |
| Scrub system (CR 1400 Models) - Main Parts | 48 |
| Scrub system skirt assemblies - Main Parts | 51 |
| Side broom system - Main Parts | 53 |
| Side broom system sub-assemblies - Main Parts | 55 |
| Solution system (CR 1100 Models) - Main Parts | 57 |
| Solution system (CR 1200 and 1400 Models) - Main Parts | 59 |
| Solution system sub-assemblies - Main Parts | 61 |
| Squeegee system - Main Parts | 63 |
| Squeegee system - Main Parts | 65 |
| Squeegee assembly - Main Parts | 67 |
| Wiring diagram-1 (Gasoline/Petrol / LPG-56304XXX models) - Main Parts | 69 |
| Wiring diagarm-2 (Gasoline/Petrol / LPG-56304XXX models) - Main Parts | 71 |
| Wiring diagram-1 (Gasoline/Petrol / LPG-56306XXX models) - Main Parts | 74 |
| Wiring diagram-2 (Gasoline/Petrol / LPG-56306XXX models) - Main Parts | 76 |
| Wiring diagram-1 (Diesel) - Main Parts | 79 |
| Wiring diagram-2 (Diesel) - Main Parts | 81 |
| Beacon kit (standard on CR 1200 and 1400 Models) - Main Parts | 84 |
| Beacon kit (standard on CR 1100 Models) - Main Parts | 86 |
| Backup alarm kit - Main Parts | 88 |
| Broom selector guide 1 - Main Parts | 90 |
| Brush selector guide - Main Parts | 92 |
| Diesel Engine System - Engine System until 2007..... | 94 |
| Diesel Engine Assembly - Engine System until 2007..... | 96 |

TABLE OF CONTENTS

| | |
|--|-----|
| Diesel Actuator Assembly - Engine System until 2007..... | 99 |
| Diesel Fuel Assembly - Engine System until 2007..... | 101 |
| Gasoline/Petrol Engine System - Engine System until 2007..... | 103 |
| Gasoline/Petrol Engine Assembly - Engine System until 2007..... | 105 |
| Gasoline/Petrol Fuel Assembly - Engine System until 2007..... | 108 |
| LPG Engine System - Engine System until 2007..... | 110 |
| LPG Engine Assembly - Engine System until 2007..... | 112 |
| LPG Filter Assembly - Engine System until 2007..... | 115 |
| Air Filter Assembly - Engine System until 2007..... | 117 |
| Control & Circuit Breaker Panel Assemblies - Engine System until 2007..... | 119 |
| Exhaust System (All models & gasoline/petrol before SN1758211) - Engine System until 2007..... | 121 |
| Exhaust System (Gasoline/Petrol only after SN1758210) - Engine System until 2007..... | 123 |
| Radiator Assembly (Before SN1780553) - Engine System until 2007..... | 125 |
| Radiator Assembly (After SN1780552) - Engine System until 2007..... | 127 |
| Diesel Engine System - CR 1200/1400 - Engine from 2007..... | 129 |
| Diesel Engine Assembly - CR 1200/1400 - Engine from 2007..... | 131 |
| Diesel Actuator Assembly - CR 1200/1400 - Engine from 2007..... | 134 |
| Diesel Fuel Assembly - CR 1200/1400 - Engine from 2007..... | 136 |
| Gasoline/Petrol Engine System - CR 1200/1400 - Engine from 2007..... | 138 |
| Gasoline/Petrol Engine Assembly - CR 1200/1400 - Engine from 2007..... | 140 |
| Gasoline/Petrol Fuel Assembly - CR 1200/1400 - Engine from 2007..... | 144 |
| LPG Engine System - CR 1200/1400 - Engine from 2007..... | 146 |
| LPG Engine Assembly - CR 1200/1400 - Engine from 2007 - before Jan. 2010..... | 148 |
| LPG Engine Assembly - CR 1200/1400 - Engine from 2007 - after Dec. 2009..... | 152 |
| LPG Filter Assembly - CR 1200/1400 - Engine from 2007..... | 156 |
| Air Filter Assembly - CR 1200/1400 - Engine from 2007..... | 158 |
| Control and Circuit Breaker Panel Assemblies - CR 1200/1400 - Engine from 2007..... | 160 |
| Exhaust Assembly - Diesel - CR 1200/1400 - Engine from 2007..... | 162 |
| Exhaust Assembly - Gasoline-Petrol and LPG - CR 1200/1400 - Engine from 2007..... | 164 |
| Radiator Assembly - CR 1200/1400 - Engine from 2007..... | 166 |
| Radiator assembly (high temp) - Engine from 2007..... | 168 |
| Cooler kit (high temp) - Engine from 2007..... | 170 |
| GM 1.6L REPLACEMENT PARTS - PSI..... | 172 |
| Hydraulic schematic - CR 1100 before SN 1873835 - Hydraulic System..... | 174 |
| Hydraulic schematic - CR 1100 after SN 1873835 - Hydraulic System..... | 177 |
| Hydraulic schematic - CR 1200 before SN 1873835 - Hydraulic System..... | 180 |
| Hydraulic schematic - CR 1200 after SN 1873835 - Hydraulic System..... | 183 |
| Hydraulic schematic - CR 1100/1200/1400 before SN 1873835 - Hydraulic System..... | 186 |
| Hydraulic schematic - CR 1400 after SN 1873835 - Hydraulic System..... | 189 |
| Hydraulic cylinder assemblies - Hydraulic System..... | 192 |
| Hydraulic cylinder assemblies - Hydraulic System..... | 194 |
| Hydraulic motor assemblies - Broom-wheel/drive - Hydraulic System..... | 196 |
| Hydraulic motor assemblies - Broom-wheel/drive - Hydraulic System..... | 198 |

TABLE OF CONTENTS

| | |
|---|-----|
| Hydraulic motor assemblies - impeller/fans - Hydraulic | 200 |
| Hydraulic motor assemblies - impeller/fans - Hydraulic | 202 |
| Hydraulic motor assemblies - Scrub - CR 1100 - Hydraulic System | 204 |
| Hydraulic motor assemblies - Scrub - CR 1100 - Hydraulic System | 206 |
| Hydraulic motor assemblies - Scrub - CR 1200 - Hydraulic System | 208 |
| Hydraulic motor assemblies - Scrub - CR 1200 - Hydraulic System | 210 |
| Hydraulic motor assemblies - Scrub - CR 1400 - Hydraulic System | 212 |
| Hydraulic motor assemblies - Scrub - CR 1400 - Hydraulic System | 214 |
| Hydraulic pump assemblies - Hydraulic System | 216 |
| Hydraulic pump assemblies - Hydraulic System | 218 |
| Hydraulic reservoir assembly - Hydraulic System | 220 |
| Hydraulic reservoir assembly - Hydraulic System | 222 |
| Oil cooler/filter assemblies - Hydraulic System | 224 |
| Oil cooler/filter assemblies - Hydraulic System | 226 |
| Valve block assemblies - Hydraulic System | 228 |
| Oil cooler/filter assemblies - Hydraulic System | 230 |
| Valve block assemblies - Hydraulic System | 232 |
| Valve block assemblies - Hydraulic System | 234 |
| List of Kits - Accessories | 237 |
| Back-up alarm kit - Accessories | 239 |
| Beacon Kit - Accessories | 241 |
| Beacon Kit (60 Gallon) - Accessories | 243 |
| Broom Guard kit - Accessories | 245 |
| Cleanout Kit - Accessories | 247 |
| Curb Light Kit - Accessories | 249 |
| Fire Extinguisher kit (Engine models) - Accessories | 251 |
| Fire extinguisher kit (Battery models) - Accessories | 253 |
| High Durability Rear Wheel - Accessories | 255 |
| Hopper Filter Kit - Accessories | 257 |
| Temperature Switch Kit - Accessories | 259 |
| Overhead Guard kit - Accessories | 261 |
| Pre-Filter Grid kit - Accessories | 263 |
| Recovery inlet seal kit - Accessories | 265 |
| Seat kit, Engine models - Accessories | 267 |
| Seat belt kit - Accessories | 269 |
| Solution Fill Shutoff Kit (OBSOLETE) - Accessories | 271 |
| Solution Fill Shutoff Kit - Accessories | 273 |
| Solution Fill Shutoff Kit (60 Gallon) - Accessories | 275 |
| Tower Bumper kit - Accessories | 277 |
| Under-Hood Light Kit, Engine models- Accessories | 279 |
| Vacuum Wand Kit - Accessories | 281 |
| Chemical injection kit-12VDC (control box assy) - Accessories | 283 |
| Chemical injection kit-12VDC (pump assy) - Accessories | 285 |
| Chemical injection kit-36VDC (control box assy) - Accessories | 287 |

TABLE OF CONTENTS

| | |
|--|-----|
| Chemical injection kit-36VDC (pump assy) - Accessories | 290 |
| 56305509 - Temperature Switch Kit | 292 |
| 56305519 - Back-up Alarm Kit | 294 |
| 56305517 - Hopper Filter Switch Kit | 296 |
| 56305482 - Beacon Kit 48" and 54" models | 298 |
| 56305881 - Beacon Kit 43" models | 300 |
| 56305585 - Solution Fill Shutoff Kit | 302 |
| 56305493 - Tower Bumper Kit | 304 |
| 56305621 - Fire Extinguisher Kit | 306 |
| 56305628 - Underhood Light Kit | 308 |
| 56305530 - Vacuum Wand Kit for CR 1200, 1400 | 310 |
| 56305530 - Vacuum Wand Kit for CR 1100 | 312 |
| 56305530 - Vacuum Wand Kit for CR 1200, 1400 | 314 |
| 56305530 - Vacuum Wand Kit for CR 1100 | 316 |
| 56305530 - Vacuum Wand Kit | 318 |
| 56305530 - Vacuum Wand Kit | 320 |
| 56305637 / 56303873 - Overhead Guard Kits | 322 |
| 56305641 - Curb Light Kit | 324 |
| 56305643 - Rearview Camera Kit | 326 |
| 56305643 - Rearview Camera Kit | 328 |
| 56305643 - Rearview Camera Kit | 330 |
| 56305643 - Rearview Camera Kit | 332 |
| 56305494 - Left Side / 56305495 - Right Side Broom Guard Kit | 334 |
| 56305611 - W/O Switch / 56303381 - De Luxe Kit with Switch | 336 |
| 56305794 - Pre-filter Grid Kit | 338 |
| 56305840 - Tailpipe Hanger Kit | 340 |
| 56305894 - Tailpipe Hanger Kit | 342 |
| 56305820 - Solution Fill Shutoff Kit for CR 1100 | 344 |
| 56305896 - Solution Fill Shutoff Kit for CR 1200, 1400-ER 1300, 1600 | 346 |
| 56303554 - Key Switch Kit | 348 |
| 56305978 - Liquid Level Switch | 350 |
| 56303572 - Cleanout Kit | 352 |
| 56303579 - OH Guard Beacon Kit | 354 |
| 56307221 - Recovery Inlet Seal Kit | 356 |
| 56109306 - Seat Belt Kit | 358 |
| 56508773 Shaker Motor Kit | 360 |
| 56306138 - Chemical Injection Kit 12VDC (engine) | 362 |
| 56306138 - Chemical Injection Kit 12VDC (engine) | 364 |
| 56306138 - Chemical Injection Kit 12VDC (engine) | 366 |
| 56306138 - Chemical Injection Kit 12VDC (engine) | 368 |
| 56508926 - Encoder Guide Kit for CR 1200, 1400 | 370 |

OPTIONAL KITS AND ACCESSORIES

| Item | Ref. No. | Qty | Description |
|------|----------|-----|--|
| ** | 56305509 | 1 | Temperature Switch Kit |
| ** | 56305519 | 1 | Backup Alarm Kit (Standard on all Nilisk models) |
| ** | 56305517 | 1 | Hopper Filter Switch Kit |
| ** | 56305482 | 1 | Beacon Kit (Standard on CR 1200 & CR 1400 Nilisk models) |
| ** | 56305881 | 1 | Beacon Kit (Standard on CR 1100 Nilisk models) |
| ** | 56305896 | 1 | Solution Fill Shutoff Kit (CR 1200 & CR 1400 Models) |
| ** | 56305820 | 1 | Solution Fill Shutoff Kit (CR 1100 Models) |
| ** | 56305493 | 1 | Tower Bumper Kit |
| ** | 56305621 | 1 | Fire Extinguisher Kit |
| ** | 56305628 | 1 | Underhood Light Kit |
| ** | 56305530 | 1 | Vacuum Wand Kit |
| ** | 56305637 | 1 | Low Clearance Overhead Guard Kit |
| ** | 56303573 | 1 | Overhead Guard Kit |
| ** | 56303579 | 1 | Overhead Guard Beacon Kit |
| ** | 56305641 | 1 | Curb Light Kit |
| ** | 56305643 | 1 | Rearview Camera Kit |
| ** | 56305494 | 1 | Left Side Broom Guard Kit |
| ** | 56305495 | 1 | Right Side Broom Guard Kit |
| ** | 56305652 | 1 | Both Side Broom Guard Kit |
| ** | 56305611 | 1 | Seat Kit |
| ** | 56305794 | 1 | Pre-Filter Grid Kit |
| ** | 56307221 | 1 | Recovery Inlet Seal Kit |
| ** | 56303572 | 1 | Solution Cleanout Kit |
| ** | 56109306 | 1 | Seat Belt Kit (For use on Seat 7-69-00008) |
| ** | 56419369 | 1 | Seat Belt Kit (For use on Seat 56305296) |
| ** | 56305647 | 1 | Controller Interface Kit |
| ** | 56504528 | 1 | Cable-Eng-Diagn-Gen2/3to1 (for use with 56305647) |
| ** | 56504516 | 1 | Kit-Hydraulic Test |
| ** | 56306138 | 1 | Kit, Chemical Injection 12V |
| ** | 56044401 | A/R | Literature Pack |
| | | | 43" (CR 1100) Squeegee Blade Kits NOTE #1 |
| ** | 56305695 | 1 | Blade Kit, Squeegee Linatex 43 / CR 1100 |
| ** | 56305693 | 1 | Blade Kit, Squeegee Neoprene 43 / CR 1100 |
| ** | 56307180 | 1 | Blade Kit, Squeegee Polyurethane 43 / CR 1100 |
| | | | 48" (CR 1200) Squeegee Blade Kits NOTE #1 |
| ** | 56305686 | 1 | Blade Kit, Squeegee Linatex 48 / CR 1200 |
| ** | 56305682 | 1 | Blade Kit, Squeegee Neoprene 48 / CR 1200 |
| ** | 56307183 | 1 | Blade Kit, Squeegee Polyurethane 48 / CR 1200 |
| | | | 54" (CR 1400) Squeegee Blade Kits NOTE #1 |
| ** | 56305696 | 1 | Blade Kit, Squeegee Linatex 54 / CR 1400 |
| ** | 56305694 | 1 | Blade Kit, Squeegee Neoprene 54 / CR 1400 |
| ** | 56307186 | 1 | Blade Kit, Squeegee Polyurethane 54 / CR 1400 |
| | | | Side Blade Kits (All Models) NOTE #2 |
| ** | 56305697 | 1 | Side Blade Kit |
| ** | 56305685 | 1 | Neoprene Side Blade Kit |

** = Optional (not included)

NOTE #1: All squeegee blade kits include both front and rear squeegee blades.

NOTE #2: Side Blade Kits contain ALL skirts needed for BOTH side skirt assemblies.

Optional Kits: See Parts List 56042508 for an individual parts break down of each kit

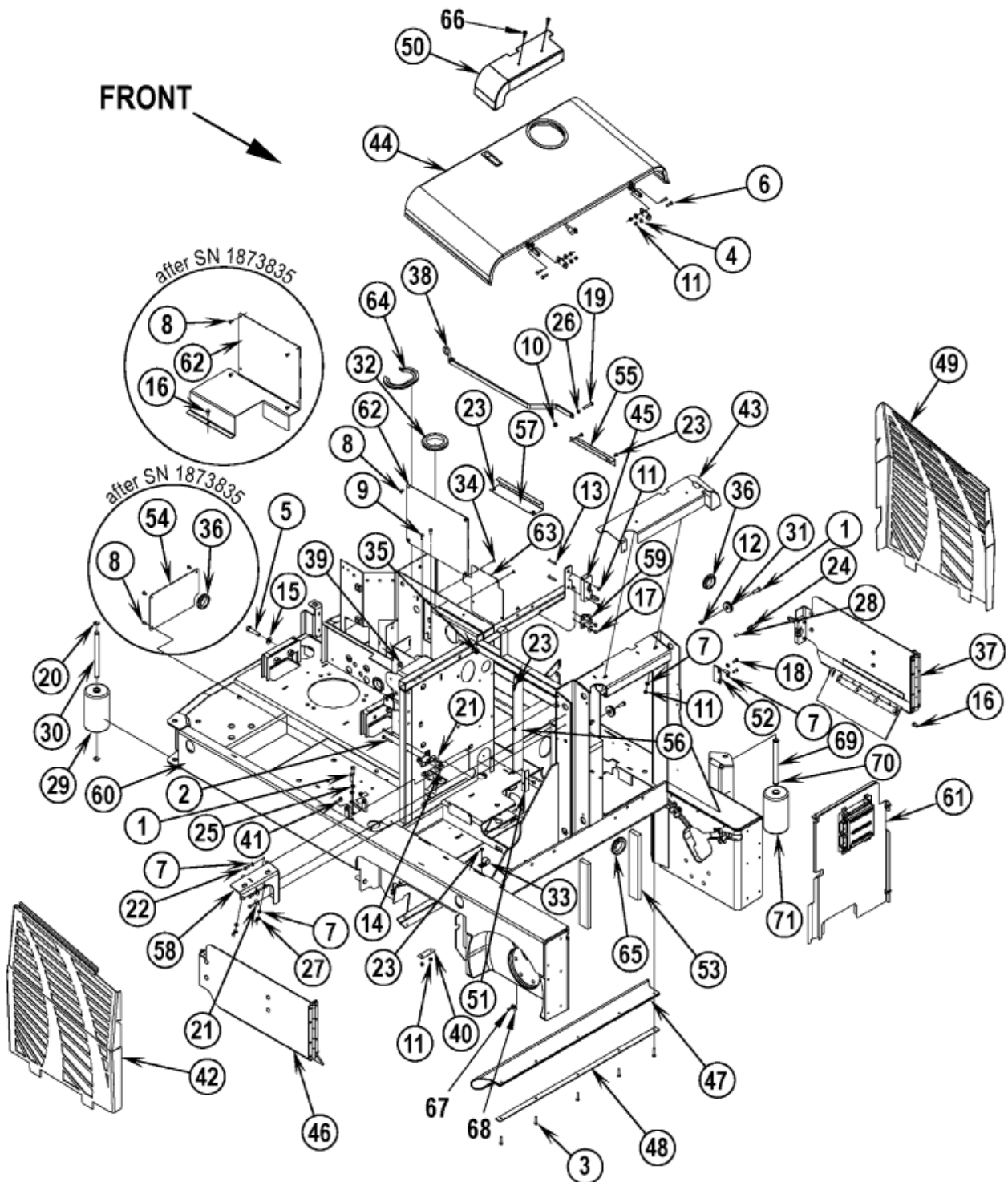
Resource notes:

NOTE 1: All squeegee blade kits include both front and rear squeegee blades. NOTE 2: Side Blade Kits contain ALL skirts needed for BOTH side skirt assemblies. Optional Kits: See Parts List 56042449 for an individual parts break down of each kit Pos. 40-42 - 43" (CR 1100) Squeegee Blade Kits NOTE #1 Pos. 43-45 - 48" (CR 1200) Squeegee Blade Kits NOTE #1 Pos. 46-48 - 54" (CR 1400) Squeegee Blade Kits NOTE #1 Pos. 49-50 - Side Blade Kits (All Models) NOTE #2

| Pos. | Artikel-Nr. | Menge | Variante | Notes |
|------|-------------|-------|---|-------|
| 01 | 56305509 | 1 | Temperaturschalter f. Kehrgutbehälter | [1] |
| 02 | 56305519 | 1 | Rückfahralarm | [1] |
| 03 | 56305517 | 1 | Steuerungsset f. Filter-Kehrgutbehälter | [1] |
| 04 | 56305482 | 1 | Warnleuchte | [2] |
| 05 | 56305881 | 1 | BEACON KIT 60 | [3] |
| 06 | 56305896 | 1 | Füllstandsabschaltung | [4] |
| 07 | 56305820 | 1 | Füllstandsabschaltung | [5] |
| 08 | 56305493 | 1 | Abweisrolle, gross | [6] |
| 09 | 56305621 | 1 | Feuerlöscher | [1] |
| 10 | 56305628 | 1 | Motorlicht | [6] |
| 11 | 56305530 | 1 | Nass-Saug-Set | [1] |
| 12 | 56305637 | 1 | Fahrerschutzdach | [1] |
| 13 | 56303573 | 1 | OVERHEAD GUARD KIT | [1] |
| 14 | 56303579 | 1 | OH GUARD BEACON KIT | [1] |
| 15 | 56305641 | 1 | Randsteinlicht | [1] |
| 17 | 56305494 | 1 | Schutz f. Setenbesen li. | [1] |
| 18 | 56305495 | 1 | Anfahrerschutz Seitenbesen, rechts | [1] |
| 19 | 56305652 | 1 | Stoss-Schutz Seitenbesen, re./li. | [1] |
| 20 | 56305611 | 1 | Fahrerkomfortsitz | [1] |
| 21 | 56305794 | 1 | Grobschmutzgitter-Set | [1] |
| 22 | 56307221 | 1 | Dichtungskit Ansaugens. | [1] |
| 23 | 56303572 | 1 | Revisionsklappe | [7] |
| 24 | 56109306 | 1 | Sicherheitsgurt-Kit | [8] |
| 25 | 56109306 | 1 | Sicherheitsgurt-Kit | [9] |
| 26 | 56305647 | 1 | Steuerungsset | [1] |
| 27 | 56504528 | 1 | CABLE-ENG-DIAG-GEN 2/3 TO 1 | |
| 28 | 56504516 | 1 | Hydraulik Testkit | |
| 29 | 56306138 | 1 | EDS-Set 12VDC | [6] |
| 30 | 56044401 | 1 | LITERATURE PACK | [1] |
| 40 | 56305695 | 1 | Absaugleisten-Set, Gummi, rot | [1] |
| 41 | 56305693 | 1 | Absaugleisten-Set, Neopren | [1] |
| 42 | 56307180 | 1 | POLYURET SQUEEGEE BLADE 43 KIT | [1] |
| 43 | 56305686 | 1 | Absaugleisten-Set, Gummi, rot | [1] |
| 44 | 56305682 | 1 | BLADE KIT-SQUEEGEE NEO 48 | [1] |
| 45 | 56307183 | 1 | Absaugleisten-Set PU | [1] |
| 46 | 56305696 | 1 | Absaugleisten-Set, Gummi, rot | [1] |
| 47 | 56305694 | 1 | Absaugleisten-Set, Neopren | [1] |
| 48 | 56307186 | 1 | Absaugleisten-Set PU | [1] |
| 49 | 56305697 | 1 | Seiten Gummi-Set, rot | [1] |
| 50 | 56305685 | 1 | Seitenschürzenset, Neopren | [1] |

Part Notes:

- [1] - OPTIONAL
- [2] - STANDARD ON CR 1200 & CR 1400 - OPTIONAL
- [3] - STANDARD ON CR 1100 - OPTIONAL
- [4] - CR 1200 & CR 1400 MODELS - OPTIONAL
- [5] - CR 1100 MODELS - OPTIONAL
- [6] - OPTIONAL
PRUNED ACCESSORY
- [7] - OPTIONAL
NO LONGER AVAILABLE
- [8] - FOR USE ON SEAT 7-69-00008 - OPTIONAL
SEE TSB-FC-2015-040
TSB-FC-2015-040 Replacement Parts
- [9] - FOR USE ON SEAT 56305296 - OPTIONAL
SEE TSB-FC-2015-040
TSB-FC-2015-040 Replacement Parts



NOTE: Skirts for 43 & 48 inch models shown here, see sub-assemblies for 54 inch skirts.

Resource notes:

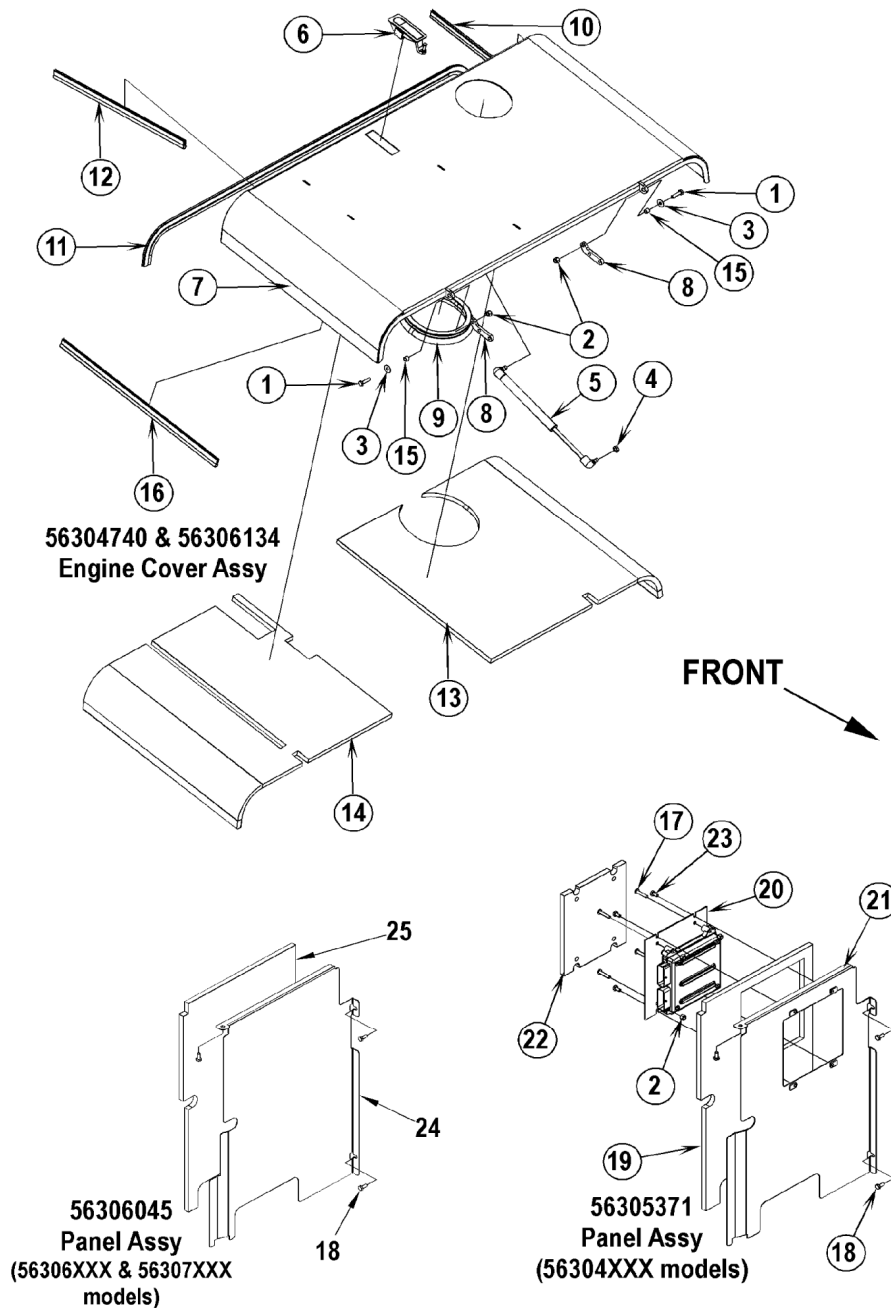
NOTE 1: Refer to model numbers on the front cover. NOTE 2: These items are only used on the HT (High Temp) models 56307236, 56307238, 56307237 & 56307239

| Pos. | Artikel-Nr. | Menge | Variante | Notes |
|------|-------------|-------|-------------------------------|-------|
| 01 | 56001858 | 4 | SCR HEX 3/8 16 X 1.25 | |
| 02 | 56001874 | 2 | Sechskantschraube 1/4 | |
| 03 | 56001878 | 5 | SCR HEX HD 1/4-20 X 1.25 | |
| 04 | 56001906 | 4 | WSH FLT CUT 1/4 | |
| 05 | 56001920 | 2 | Schraube | |
| 06 | 56002093 | 4 | SCR HEX HD 1/4-20 X 1.00 | |
| 07 | 56002098 | 7 | Scheibe | |
| 08 | 56002145 | 9 | Schraube 1/4 20x .50 | [1] |
| 09 | 56002155 | 2 | SCR HEX 1/4-20 X .75 | |
| 10 | 56002701 | 1 | MUTTER 5-16-18 HEX JAM | |
| 11 | 56002708 | 10 | Stopmutter 1/4-20 | |
| 12 | 56002769 | 2 | Stopmutter 3/8-16 | |
| 13 | 56002786 | 2 | Schraube 1/4-20 X 1.5 0 | |
| 14 | 56002840 | 2 | Nut 1/4 20 | |
| 15 | 56002918 | 2 | Unterlegscheibe | |
| 16 | 56002929 | 7 | SCR HEX HD LOC 5/16-18X | [2] |
| 17 | 56002933 | 2 | LOC SCREW 1/4-20 X 3/8 | |
| 18 | 56002948 | 2 | Schraube 1/4-20 X .75 | |
| 19 | 56003005 | 1 | Schraube 5/16 18x 1.75 | |
| 20 | 56003266 | 4 | Sicherungsring | |
| 21 | 56009002 | 6 | UNTERLEGSSCHEIBE, FLACH | |
| 22 | 56009018 | 3 | SCHRAUBE 1/4-20X3/4 HP5 | |
| 23 | 56009019 | 8 | Schraube 1/4-20x.38 | |
| 24 | 56009038 | 2 | SCRHEX THD FORM 10-24 X .88 | |
| 25 | 56009085 | 2 | NUT HEX JAM 3/8-16 | |
| 26 | 56009086 | 1 | NUT, HEX JAM 5/16-18 | |
| 27 | 56009111 | 2 | Flügelmutter 1/4-20 | |
| 28 | 56200239 | 2 | BUSHING .20X.37X.62HR2B | |
| 29 | 56409335 | 2 | BUMPER ROLLER | |
| 30 | 56409336 | 2 | PIN | |
| 31 | 56416546 | 2 | SHIELDED PULLEY | |
| 32 | 56305970 | 1 | Unterlegscheibe | |
| 33 | 56496276 | 1 | Klammer | |
| 34 | 56003603 | 4 | Schraube 1/4-2 OX.38 | |
| 35 | 56052339 | 1 | GROMMET E00059 | |
| 36 | 56056215 | 3 | GROMMET E00059 | |
| 37 | 56305735 | 1 | 54 LEFT BROOM DOOR ASSEMBLY | [3] |
| 37 | 56303143 | 1 | Tür, links | [4] |
| 38 | 56304473 | 1 | PROP ROD LINKAGE WELDMENT | |
| 39 | 56304519 | 3 | Lager, Fl .625x.500x.375 | |
| 40 | 56304543 | 1 | CATCH BRAKE LOCK | |
| 41 | 56304554 | 2 | BEARING FLANGE .500X.375X.313 | |
| 42 | 56305314 | 1 | PANEL RIGHT EUROPEAN DXF | |
| 43 | 56304692 | 1 | TOP COSMETIC COVER WELDMENT | |
| 44 | 56304740 | 1 | ENGINE COVER ASSEMBLY | |
| 45 | 56304827 | 1 | LATCH RH | |
| 46 | 56305734 | 1 | 54 RIGHT BROOM DOOR ASSEMBLY | [3] |
| 46 | 56304876 | 1 | Besenträger rechts | [4] |
| 47 | 56304926 | 1 | Abweisschiene | |
| 48 | 56304927 | 1 | Halteschiene | |
| 49 | 56307233 | 1 | HT SIDE DOOR WELDMENT | [5] |
| 49 | 56304958 | 1 | PANEL LEFT | |
| 50 | 56304968 | 1 | TOP COVER WELDMENT | |
| 51 | 56305928 | 1 | ANGLE | |
| 52 | 56305095 | 1 | LATCH WELDMENT | |
| 53 | 56305197 | 2 | Dichtung | |
| 54 | 56305225 | 1 | COVER ACCESS | [6] |
| 54 | 56306002 | 1 | COVER ACCESS | [7] |
| 55 | 56305264 | 1 | HOSE GUIDE | |

| Pos. | Artikel-Nr. | Menge | Variante | Notes |
|------|-------------|-------|-------------------------|-------|
| 56 | 56305265 | 1 | HOSE GUIDE | |
| 57 | 56305266 | 1 | HOSE GUIDE | |
| 58 | 56305281 | 1 | WELDMENT COVER MOUNT | [8] |
| 59 | 56305331 | 2 | WELDMENT PANEL LOCK | |
| 61 | 56306045 | 1 | PANEL ASSEMBLY | [9] |
| 61 | 56305371 | 1 | PANEL ASSEMBLY | [10] |
| 62 | 56306001 | 1 | PANEL ASSY. | |
| 62 | 56305394 | 1 | PANEL ASSEMBLY | [8] |
| 63 | 56307168 | 1 | PANEL BROOM LIFT ADJUST | |
| 64 | 56305679 | 1 | Dichtung | |
| 65 | 56051172 | 1 | GROMMET E00059 | |
| 66 | 56003087 | 4 | Schraube PAN PHIL SS | |
| 67 | 56009062 | 1 | Schraube | |
| 68 | 56323260 | 1 | Kabelbriede zu BR 1000 | |
| 69 | 56409336 | 1 | PIN | [5] |
| 70 | 56003266 | 2 | Sicherungsring | [5] |
| 71 | 56409335 | 1 | BUMPER ROLLER | [5] |

Part Notes:

- [1] - QTY 10 BEFORE SN 1873835
- [2] - QTY 6 BEFORE SN 1873835
- [3] - CR 1400 MODELS
- [4] - CR 1100 & CR 1200 MODELS
- [5] - NOTE 2
- [6] - BEFORE SN 1873835
- [7] - AFTER SN 1873835
- [8] - NO LONGER AVAILABLE
- [9] - 56306XXX & 56307XXX MODELS / NOTE 1
- [10] - 56304XXX MODELS / NOTE 1



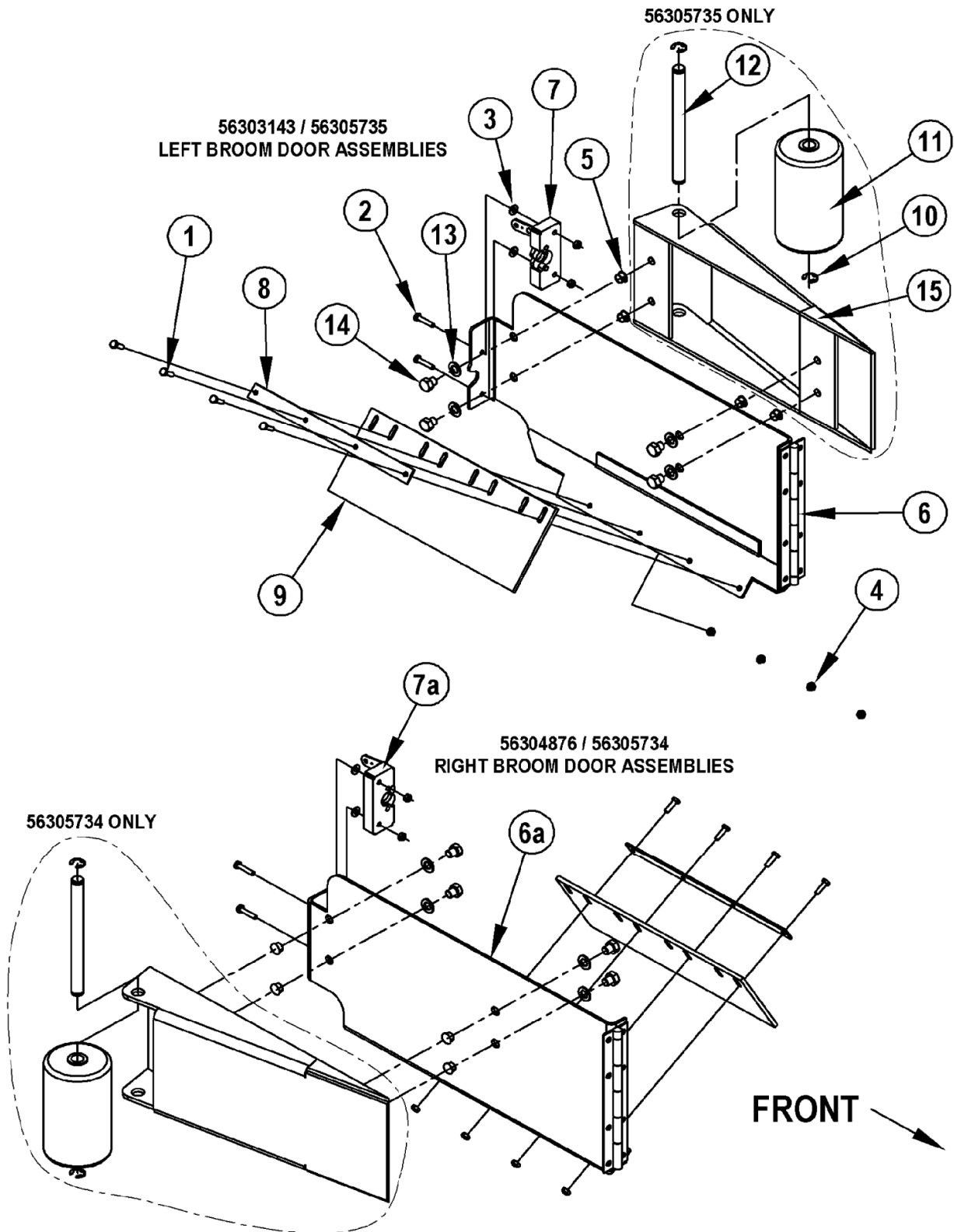
Resource notes:

NOTE 1: Refer to model numbers on the front cover.

| Pos. | Artikel-Nr. | Menge | Variante | Notes |
|------|-------------|-------|---------------------------|-------|
| | 56304740 | 1 | ENGINE COVER ASSEMBLY | [1] |
| | 56306045 | 1 | PANEL ASSEMBLY | [2] |
| | 56305371 | 1 | PANEL ASSEMBLY | [3] |
| 01 | 56002093 | 2 | SCR HEX HD 1/4-20 X 1.00 | |
| 02 | 56002708 | 6 | Stopmutter 1/4-20 | |
| 03 | 56002098 | 2 | Scheibe | |
| 04 | 56009086 | 2 | NUT, HEX JAM 5/16-18 | |
| 05 | 56385238 | 1 | Zylinderhaube f.BHS7014 | |
| 06 | 56418471 | 1 | Verschluss zu CR 1300 | |
| 07 | 56304686 | 1 | COVER ENGINE WELDT | |
| 08 | 56304690 | 2 | Schanier | |
| 09 | 56305277 | 1 | GASKET | |
| 10 | 56305502 | 1 | Verkleidung | |
| 11 | 56305269 | 1 | Verkleidung | |
| 12 | 56305278 | 1 | TRIM SEAL | |
| 13 | 56305414 | 1 | FOAM INSULATION | |
| 14 | 56305415 | 1 | FOAM INSULATION | |
| 15 | 56330027 | 2 | BUSHING | |
| 16 | 56305268 | 1 | Verkleidung | |
| 17 | 56002825 | 4 | SCR PAN PHIL 1/4-20 X 1.2 | [4] |
| 18 | 56002922 | 3 | SCR HEX LOC 1/4-20 X .62 | [4] |
| 19 | 56305035 | 1 | FOAM INSULATION | [4] |
| 20 | 56305380 | 1 | PANEL ECU | [4] |
| 21 | 56305381 | 1 | PANEL WELDMENT | [4] |
| 22 | 56305382 | 1 | FOAM | [4] |
| 23 | 56001854 | 4 | SCHRAUBE HEX HD1/4-20X.50 | [4] |
| 24 | 56306048 | 1 | FRONT PANEL | [5] |
| 25 | 56306049 | 1 | FOAM PANEL | [5] |

Part Notes:

- [1] - 1-16
- [2] - 18 & 24-25) (56306XXX & 56307XXX MODELS / NOTE 1
- [3] - 2 & 17-23) (56304XXX MODELS / NOTE 1
- [4] - 56304XXX MODELS / NOTE 1
- [5] - 56306XXX & 56307XXX MODELS / NOTE 1



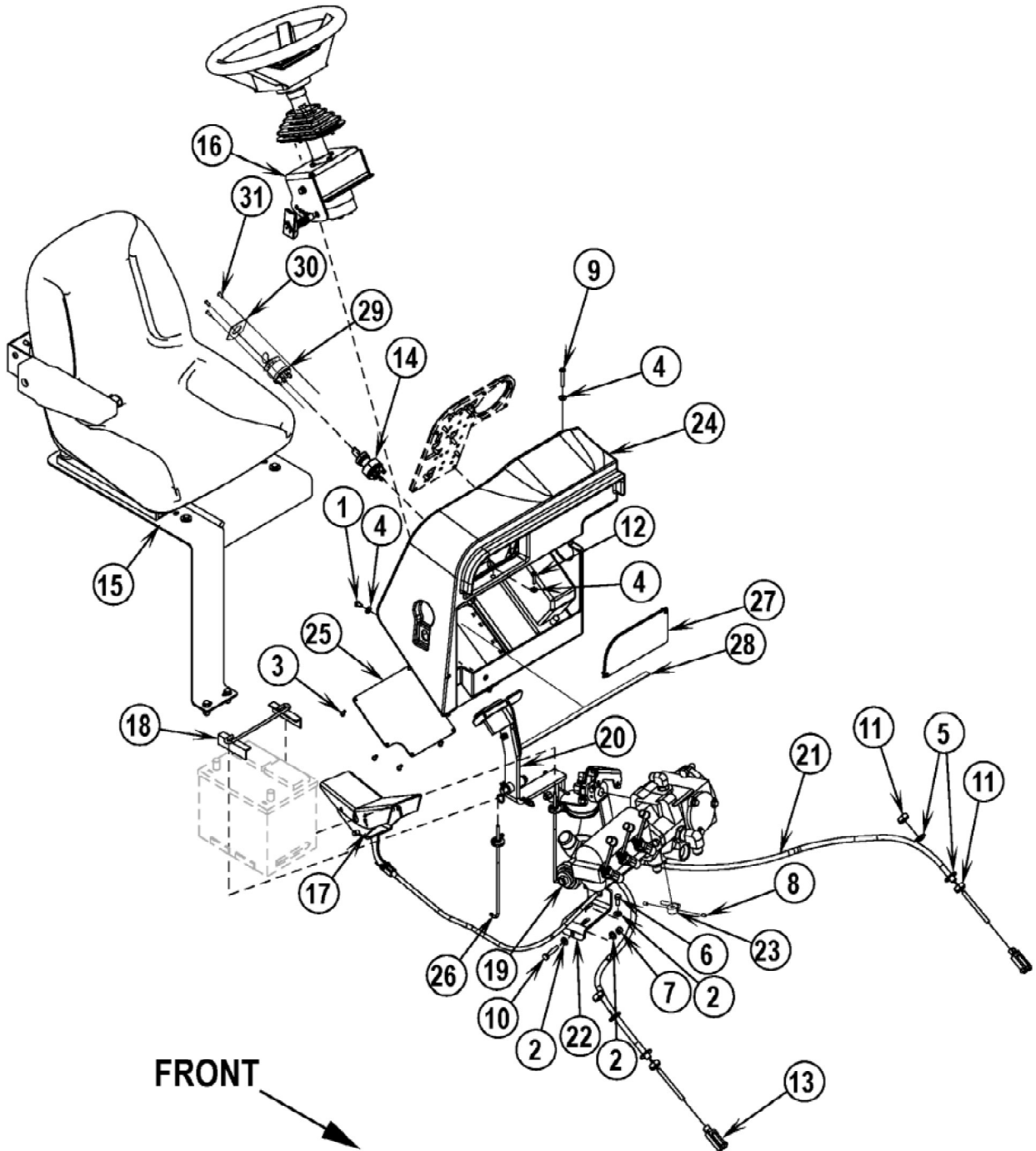
Resource notes:

NOTE 1: Quantities are for both broom door assemblies. NOTE 2: Roller Weldment 56305938 can be installed on machines built prior to this date. Use the Roller Weldment as a template to mark & drill the two additional mounting holes in the broom door. However, the original mount 56305860 is still available for replacement.

| Pos. | Artikel-Nr. | Menge | Variante | Notes |
|------|-------------|-------|------------------------------|-------|
| 00 | 56303143 | 1 | Tür, links | [1] |
| 00 | 56305735 | 1 | 54 LEFT BROOM DOOR ASSEMBLY | [2] |
| 00 | 56304876 | 1 | Besenträger rechts | [1] |
| 00 | 56305734 | 1 | 54 RIGHT BROOM DOOR ASSEMBLY | [2] |
| 01 | 56001821 | 8 | SCR HEX HD 1/4-20 X .88 | |
| 02 | 56001878 | 4 | SCR HEX HD 1/4-20 X 1.25 | |
| 03 | 56002098 | 4 | Scheibe | |
| 04 | 56002840 | 12 | Nut 1/4 20 | |
| 05 | 56418888 | 4 | Pfropfen | |
| 06 | 56303150 | 1 | LEFT BROOM DOOR WELDMENT | |
| 06A | 56304877 | 1 | RIGHT BROOM DOOR WELDMENT | |
| 07 | 56304826 | 1 | LATCH LH | |
| 07A | 56304827 | 1 | LATCH RH | |
| 08 | 56304881 | 2 | Befestigungsschiene | |
| 09 | 56304882 | 2 | Saugfussgummi | |
| 10 | 56003266 | 4 | Sicherungsring | |
| 11 | 56409335 | 2 | BUMPER ROLLER | |
| 12 | 56409336 | 2 | PIN | |
| 13 | 56009003 | 4 | Unterlagsscheibe | [3] |
| 14 | 56305733 | 4 | SCR HEX HD 1/2-20 UNF X .50 | [3] |
| 15 | 56305860 | 2 | ANGLE CORNER PAINTED | [4] |
| 15 | 56305938 | 2 | ROLLER WELDMENT | [5] |

Part Notes:

- [1] - 1-9 - CR 1100 and 1200
- [2] - 1-4 and 6-15 - CR 1400
- [3] - qty of 4 before May 2004
- [4] - before May 2004 - NOTE 2
- [5] - after April 2004 - NOTE 2



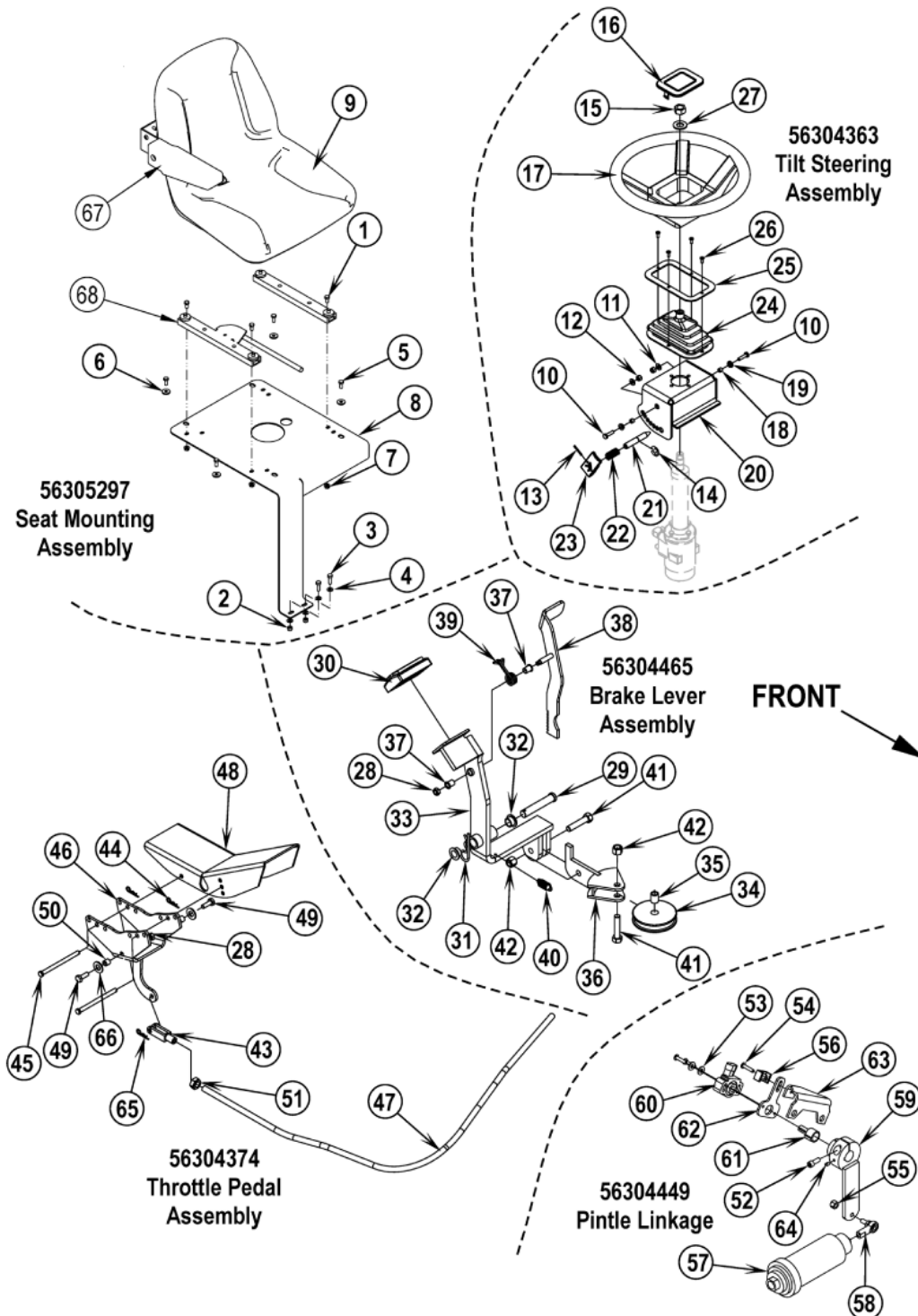
Resource notes:

NOTE 1: 56304XXX and diesel models only.

| Pos. | Artikel-Nr. | Menge | Variante | Notes |
|------|-------------|-------|------------------------------|-------|
| 01 | 56001854 | 1 | SCHRAUBE HEX HD1/4-20X.50 | |
| 02 | 56001939 | 4 | Flachdichtung 5/16 | |
| 03 | 56001993 | 5 | SCR PAN HD PHIL 10-24X.50 | |
| 04 | 56002098 | 3 | Scheibe | |
| 05 | 56002319 | 4 | WSH FLT SAE 9/16 | |
| 06 | 56002667 | 2 | Schraube 5/16-18 X.75 | |
| 07 | 56009086 | 1 | NUT, HEX JAM 5/16-18 | |
| 08 | 56002930 | 2 | Madenschraube BR 1300 S | |
| 09 | 56002108 | 1 | Schraube PAN HD PHIL 1/4- | |
| 10 | 56002013 | 1 | Schraube 5/16-18X | |
| 11 | 56002861 | 4 | Mutter | |
| 12 | 56009176 | 1 | SCR HEX THDFORM 10-24 X 1.00 | |
| 13 | 56416089 | 2 | Gabel | |
| 14 | 56419123 | 1 | Ersatzschlüssel CR 1400 | [1] |
| 14 | 56418685 | 1 | Zündschloss | [2] |
| 15 | 56305297 | 1 | SEAT MOUNTING ASSEMBLY | |
| 16 | 56304363 | 1 | TILT STEERING ASSEMBLY | [3] |
| 17 | 56304374 | 1 | THROTTLE PEDAL ASSEMBLY | |
| 18 | 56304445 | 1 | BATTERY HOLD DOWN | [4] |
| 19 | 56304449 | 1 | Drehbolzen | |
| 20 | 56304465 | 1 | Bremspedal komplett | |
| 21 | 56304599 | 1 | CABLE PULL BRAKE | |
| 22 | 56304632 | 1 | ADJUSTER BRACKET | |
| 23 | 56305473 | 1 | TOW LEVER WELDMENT | |
| 24 | 56305776 | 1 | CONSOLE ASSY IC CAPTOR | [2] |
| 24 | 56305841 | 1 | CONSOLE DIESEL | [5] |
| 25 | 56305092 | 1 | COVER CONSOLE | |
| 26 | 56305112 | 2 | 10 J TYPE HOLD DOWN | [4] |
| 27 | 56305282 | 1 | ACCESS COVER ASSEMBLY | |
| 27 | 56305246 | 1 | COVER ACCESS | [1] |
| 27 | 56305233 | 1 | GASKET | [1] |
| 27 | 56001993 | 2 | SCR PAN HD PHIL 10-24X.50 | [1] |
| 28 | 56416650 | 1 | GASKET | |
| 29 | 56497754 | 1 | Schlüsselschalter CR 1400 | [6] |
| 30 | 56305842 | 1 | PLATE SWITCH | [6] |
| 31 | 56009191 | 3 | Schraube PAN PHIL 10-14x. | [6] |

Part Notes:

- [1] - Not Shown
- [2] - LPG and Petrol
- [3] - NO LONGER AVAILABLE
- [4] - NOTE 1
- [5] - Diesel
NO LONGER AVAILABLE
- [6] - Diesel



Resource notes:

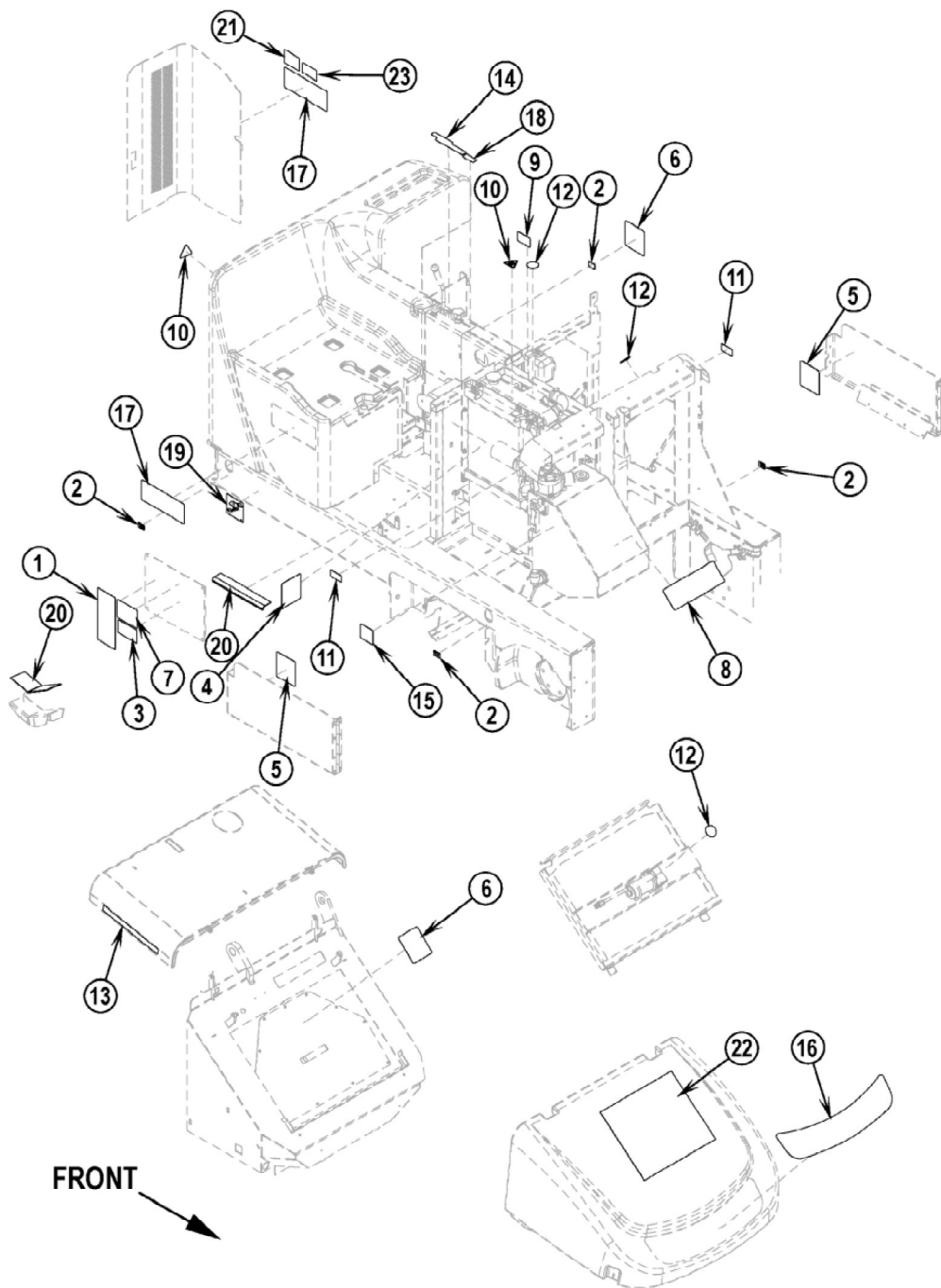
NOTE 1: Seat 56305296 has been obsoleted and replaced with 7-69-00008. If you order the old seat 56305296 you will receive Seat Assy Kit 56109290 in it's place which includes items (9, 67 & 68). NOTE 2: Used on machines built after June 2009, for replacement on earlier machines order Encoder Guide Kit 56508926.

| Pos. | Artikel-Nr. | Menge | Variante | Notes |
|------|-------------|-------|-------------------------------|-------|
| | 56304449 | 1 | Drehbolzen | [1] |
| | 56305297 | 1 | SEAT MOUNTING ASSEMBLY | [2] |
| | 56304465 | 1 | Bremspedal komplett | [3] |
| | 56304363 | 1 | TILT STEERING ASSEMBLY | [4] |
| | 56304374 | 1 | THROTTLE PEDAL ASSEMBLY | [5] |
| 01 | 56002035 | 4 | 002721X HD 5/16-18X.62 | |
| 02 | 56002856 | 2 | "Mutter Nylon LOC 5/16"" | |
| 03 | 56002913 | 2 | SCR HEX HD SS 5/16-18X1.0 | |
| 04 | 56002938 | 4 | WSH FLT SAE SS 5/16 | |
| 05 | 56002956 | 4 | Schraube HEX LOC 5/16-18 | |
| 06 | 56009122 | 4 | Unterlegscheibe | |
| 07 | 56001806 | 4 | NUT WHZ W/FLANGE 5/1-18 | |
| 08 | 56305115 | 1 | PLATE SEAT MOUNT | |
| 09 | 7-69-00008 | 1 | Sitz | [6] |
| 10 | 56002093 | 2 | SCR HEX HD 1/4-20 X 1.00 | |
| 11 | 56002098 | 2 | Scheibe | |
| 12 | 56002708 | 2 | Stopmutter 1/4-20 | |
| 13 | 56002763 | 1 | PIN SPK 12X1,12 | |
| 14 | 56003264 | 1 | "Benzingring 0,5"" | |
| 15 | 56003440 | 1 | HEX NUT M16 X 1.5 | |
| 16 | 7-16-07428 | 1 | COVER-STEERING WHEEL | |
| 17 | 56418460 | 1 | Lenkrad | |
| 18 | 56453849 | 2 | BUSHING .26X.37X.28 | |
| 19 | 56304518 | 2 | Lager, FI .500x.375x.188 | |
| 20 | 56304528 | 1 | STEERING MOUNT | |
| 21 | 56304530 | 1 | Pin | |
| 22 | 56304531 | 1 | SPRING COMPRESSION | |
| 23 | 56304774 | 1 | Einstellhebel | |
| 24 | 56304812 | 1 | BOOT STEERING | |
| 25 | 56304813 | 1 | STEERING BOOT RETAINER | |
| 26 | 56002831 | 4 | Schraube PAN PHIL-BLK | |
| 27 | 56002022 | 1 | U-Scheibe | |
| 28 | 56002840 | 3 | Nut 1/4 20 | |
| 29 | 56003207 | 1 | CLEVIS PIN | |
| 30 | 56365002 | 1 | Pad, Gummi | |
| 31 | 56003222 | 1 | "Splint 0.125"" x 0.5"" | |
| 32 | 56304519 | 2 | Lager, FI .625x.500x.375 | |
| 33 | 56305472 | 1 | BRAKE LEVER WELDMENT | |
| 34 | 56304557 | 1 | PULLEY 3.00 DIAMETER | [7] |
| 35 | 56304558 | 1 | BEARING | |
| 36 | 56304562 | 1 | PULLEY BRACKET WELDMENT | |
| 37 | 56304554 | 2 | BEARING FLANGE .500X.375X.313 | |
| 38 | 56304902 | 1 | Feststellbremse | |
| 39 | 56304972 | 1 | Drehfeder | |
| 40 | 56305072 | 1 | Zugfeder | |
| 41 | 56002684 | 2 | SCR HEX HD 3/8-16x1,75 | |
| 42 | 56002769 | 2 | Stopmutter 3/8-16 | |
| 43 | 56482542 | 1 | ES Bolzen /Clevis Assy. | |
| 44 | 56003332 | 2 | Pin, Cot Hair .042x.18 | |
| 45 | 56003669 | 2 | PIN-CLEVIS-.25X3.5 | |
| 46 | 56107687 | 1 | PEDAL WELDT | |
| 47 | 56304552 | 1 | Kabel CR 1200 | |
| 48 | 56304777 | 1 | PEDAL | [8] |
| 49 | 56001821 | 2 | SCR HEX HD 1/4-20 X .88 | |
| 50 | 56151106 | 2 | Buchse | |
| 51 | 56009142 | 2 | Sechskantmutter 1/4x28 | |
| 52 | 56002032 | 1 | Schraube SOC HD 1/4-20x | |
| 53 | 56001954 | 3 | WSH FLT SAE 10 | |
| 54 | 56002996 | 3 | Schraube | |

| Pos. | Artikel-Nr. | Menge | Variante | Notes |
|------|-------------|-------|--------------------------|-------|
| 55 | 56003626 | 1 | Mutter | |
| 56 | 56369004 | 1 | Hülse | |
| 57 | 56455799 | 1 | Hydro Back CR 1200 | |
| 58 | 56463720 | 1 | Kabelhalter CR 1200 | |
| 59 | 56304355 | 1 | LEVER WELDMENT | |
| 60 | 56305129 | 1 | ROTARY SENSOR | |
| 61 | 56305184 | 1 | Adapter | |
| 62 | 56508926 | 1 | Impulsgeber | |
| 63 | 56305186 | 1 | BRACKET | |
| 64 | 56009084 | 1 | Madenschraube 10-24x3/16 | |
| 65 | 56003332 | 1 | Pin, Cot Hair .042x.18 | |
| 66 | 56002098 | 2 | Scheibe | |
| 67 | 7-03-04250 | 1 | Arملهne rechts | [9] |
| 68 | 56109300 | 1 | SLIDE KIT NO STUDS | [9] |

Part Notes:

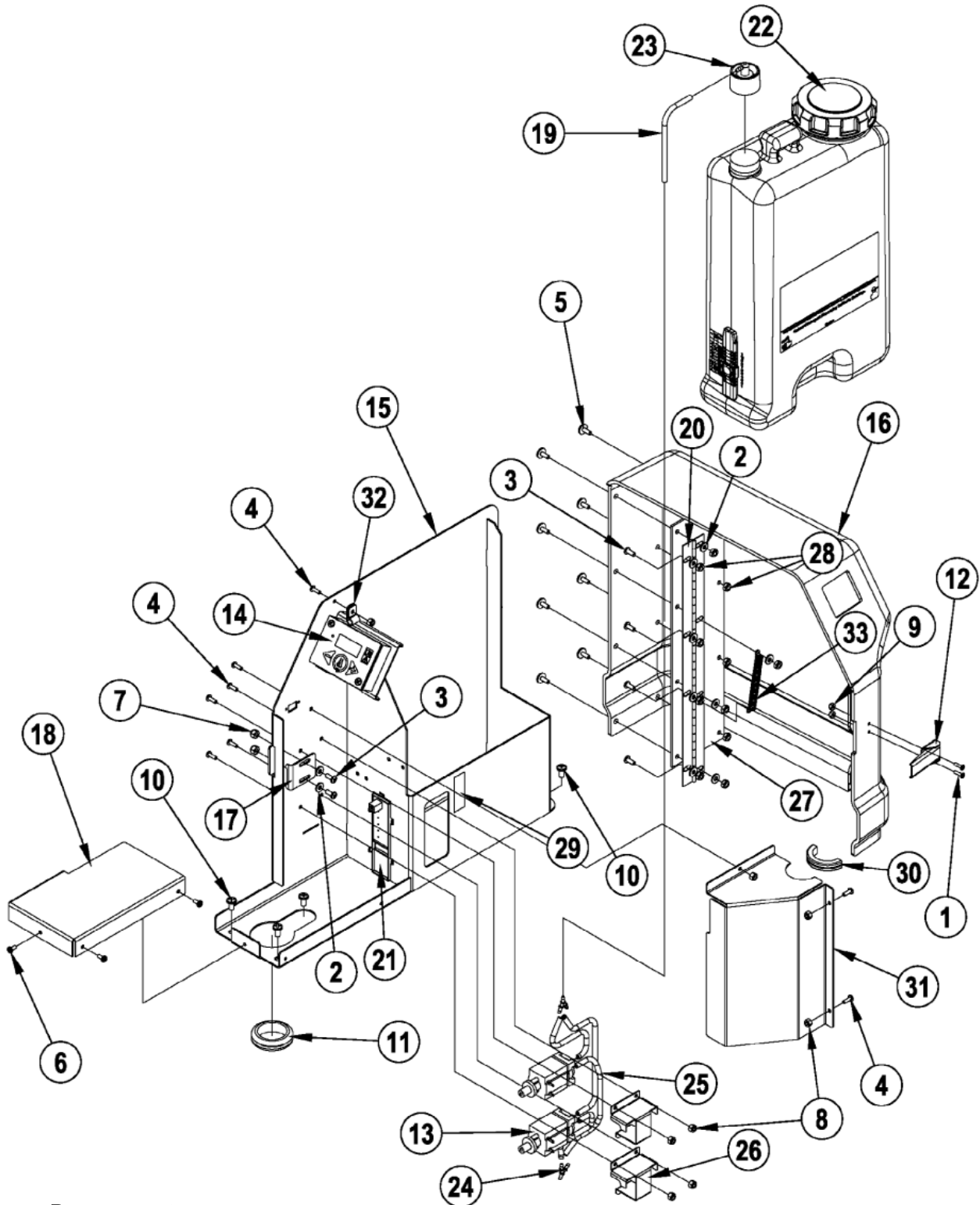
- [1] - 52-64
- [2] - 1-9
- [3] - 28-42
- [4] - 10-27
NO LONGER AVAILABLE
- [5] - 28, 43-51 and 65-66
- [6] - NOTE 1
SEE TSB-FC-2015-040
- [7] - SEE PI 2017-002
- [8] - EXPIRED NO REPLACEMENT
- [9] - NOTE 1



| Pos. | Artikel-Nr. | Menge | Variante | Notes |
|------|-------------|-------|-----------------------------|-------|
| 01 | 56014601 | 1 | DECAL, CAUTION | |
| 02 | 56015370 | 4 | Decal, Tie Down | |
| 03 | 56015413 | 1 | DECAL L.P.G. | [1] |
| 04 | 56015424 | 1 | DECAL-WARNING HYDRAULIC | |
| 05 | 56015425 | 2 | Sicherheitsaufkleber | |
| 06 | 56015426 | 2 | DECAL WARNING FAN | |
| 07 | 56015427 | 1 | Aufkleber | |
| 08 | 56015428 | 1 | DECAL-WARNING-HOPPER | |
| 09 | 56015463 | 1 | DECAL COOLANT LEVEL | |
| 10 | 56016363 | 2 | DECAL WARNING HOT | |
| 11 | 56025496 | 2 | DECAL CAUTION | |
| 12 | 56030080 | 3 | Aufkleber | |
| 14 | 56015185 | 1 | DECAL MAIN BROOM/SOLUTION | |
| 15 | 56015189 | 1 | DECAL OIL FILL | [2] |
| 16 | 56015191 | 1 | Aufkleber Nilfisk | |
| 17 | 56015201 | 2 | Aufkleber CR 1200 | |
| 17 | 56015200 | 2 | DECAL CR1100 | |
| 17 | 56015202 | 2 | Aufkleber CR 1400 | |
| 18 | 56015206 | 1 | DECAL HOPPER SAFETY SUPPORT | |
| 19 | 56015221 | 1 | Aufkleber | |
| 20 | 56305606 | 2 | Auflage für Pedal | |
| 21 | 56025454 | 1 | DECAL DIESEL FUEL | |
| 21 | 56016226 | 1 | DECAL UNLEADED FUEL | [3] |

Part Notes:

- [1] - LPG ONLY
- [2] - NO LONGER AVAILABLE
- [3] - PETROL ONLY



Resource notes:

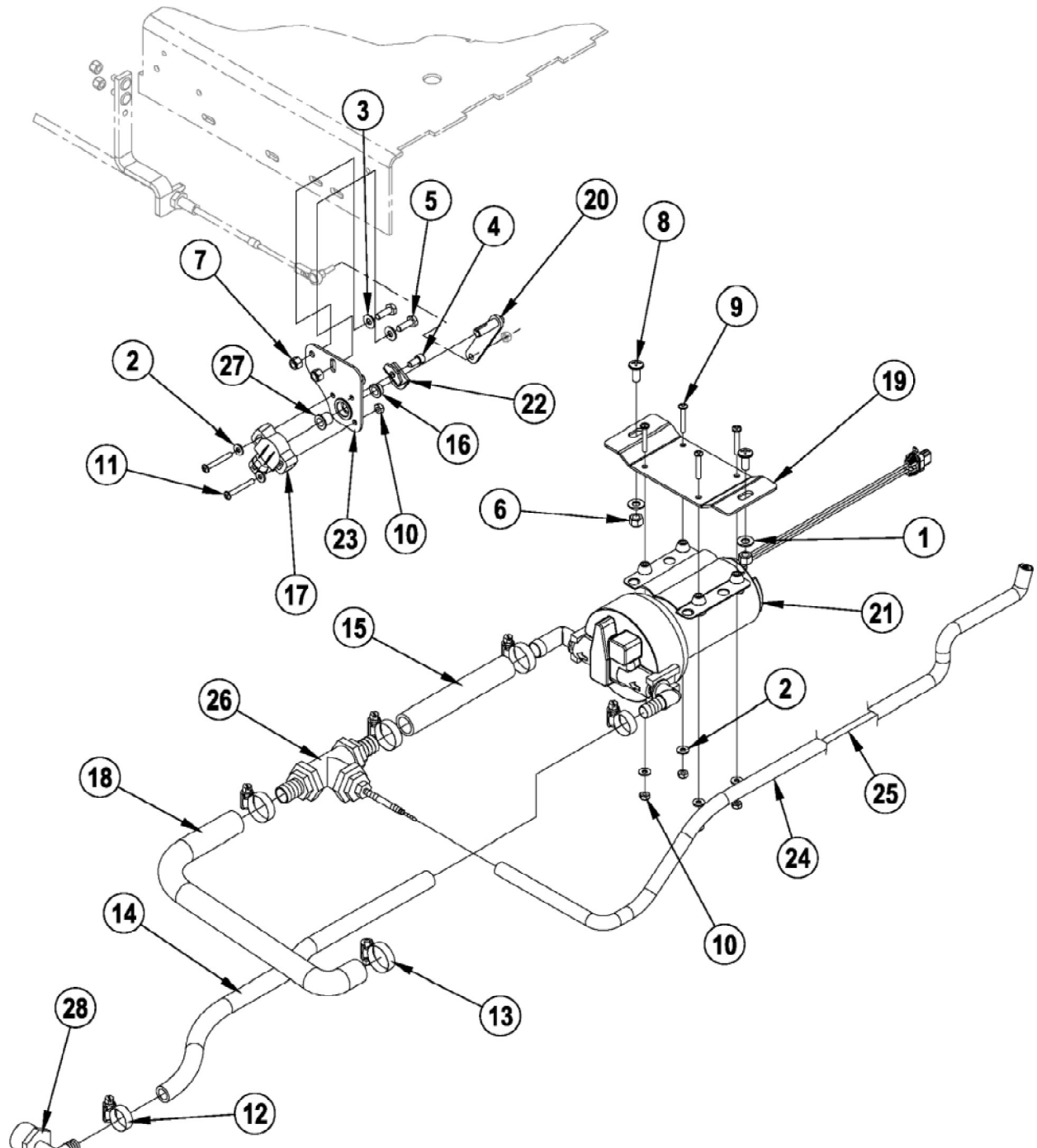
NOTE 1: The detergent injection system is only available as a field installed kit (56306138). NOTE 2: Latch 56109591 is the replacement for Latch 56054856. To replace a 56054856 Latch; remove the old latch, line up the new latch 56109591 with the catch, use the latch as a template to mark and drill the new mounting holes, assemble the new latch with the existing mounting hardware. Pos. no. 100-109: Items included with 56306138 Chemical Injection Kit

| Pos. | Artikel-Nr. | Menge | Variante | Notes |
|------|-------------|-------|---------------------------------|-------|
| 00 | 56306125 | 1 | CONTROL BOX ASSY 12 VDC | [1] |
| 00 | 56478246 | 1 | CABLE TIE E00549 RE438BA | [2] |
| 01 | 56001830 | 2 | SCR PAN PHIL 6-32 X .50 | |
| 02 | 56001954 | 10 | WSH FLT SAE 10 | |
| 03 | 56001993 | 6 | SCR PAN HD PHIL 10-24X.50 | |
| 04 | 56002003 | 8 | SCR PAN PHIL 8-32 X .50 | |
| 05 | 56009100 | 8 | SCR PANPHILT HD BLK 10-24 | |
| 06 | 56002523 | 3 | SCR PAN HD PHIL HP5 8-32 X .38 | |
| 07 | 56002768 | 2 | 1/4-20 NYLOC NUT | |
| 08 | 56002808 | 8 | NUT HEX NYLOC 8-32 | |
| 09 | 56002830 | 2 | NUT HEX NYL LOC 6-32 | |
| 10 | 56009033 | 5 | Schraube 1/4-20X1 2HP 5 | |
| 100 | 56306125 | 1 | CONTROL BOX ASSY 12 VDC | [3] |
| 100 | 56306149 | 1 | PUMP ASSY 12 VDC | [4] |
| 102 | 56306166 | 1 | HARNESS IC CAPTOR AXP | [2] |
| 103 | 56418387 | 1 | Relais, SPDT | [5] |
| 104 | 56387316 | 1 | Schütz 10A | [6] |
| 105 | 56459367 | 1 | Abdeckung Rückstellknopf5015 | [7] |
| 106 | 56009063 | 1 | SCR HEX THD FORM 10-24X .25 | [2] |
| 107 | 56459825 | 1 | Reduzierung | [2] |
| 108 | 56306179 | 2 | DECAL CR1200 EDS | [2] |
| 109 | 56306180 | 2 | DECAL CR1400 EDS | [2] |
| 11 | 56054715 | 1 | GROMMET E00059 | |
| 12 | 56109591 | 1 | LATCH | [8] |
| 13 | 56110742 | 2 | Chemie Pumpe 2 | |
| 14 | 56111400 | 1 | AXP Steuerung | |
| 15 | 56306124 | 1 | BOX WELDMENT CHEMICAL | |
| 16 | 56306133 | 1 | COVER CHEMICAL INJECTION | |
| 17 | 56306147 | 1 | CATCH | |
| 18 | 56306148 | 1 | COVER | |
| 19 | 56306169 | 1 | HOSE CHEM RESISTANT 17.00 | |
| 20 | 56306181 | 1 | HINGE | |
| 21 | 56315340 | 1 | Chemiesensor | |
| 22 | 56413784 | 1 | Einsatzstück | [2] |
| 22 | 9100001817 | 1 | CAP PLASTIC F CHEMICAL TANK SIP | [2] |
| 22 | 56413119 | 1 | Behälter,Reinigungsmittel | [2] |
| 22 | 56413999 | 1 | EDS-Behälter | |
| 22 | 56315690 | 1 | CAP 38MM BUTTRESS | [2] |
| 23 | 56315523 | 1 | Deckel EDS-Schwimmer | |
| 24 | 56413691 | 2 | Fitting Verzweigung | |
| 25 | 56413693 | 4 | Schlauch Chemieresistent | |
| 26 | 56413775 | 2 | BRACKET PUMP MOUNT | |
| 27 | 56306191 | 1 | PLATE REINFORCING | |
| 28 | 56002832 | 12 | 6-Kt Mutter Nylon | |
| 29 | 56016331 | 1 | DECAL CHEMICAL RATIO | |
| 30 | 56344621 | 1 | GROMMET 1.500 E00059 | |
| 31 | 56306198 | 1 | PUMP COVER | |
| 32 | 56300152 | 1 | CLAMP CORD HA510B | [9] |
| 33 | 56397301 | 1 | HOSE PVC E00552 | |

Part Notes:

- [1] - NOTE 1
SEE PI 2017-002
- [2] - Not Shown
- [3] - NOTE 1 - Not shown
SEE PI 2017-002
- [4] - NOTE 1 - Not shown
NON-SALEABLE USE 56306140
- [5] - (K6) - Not shown
- [6] - (F8) - Not shown

- [7] - (FOR 56387316) - Not shown
- [8] - NOTE 2
- [9] - SEE PI 2017-002



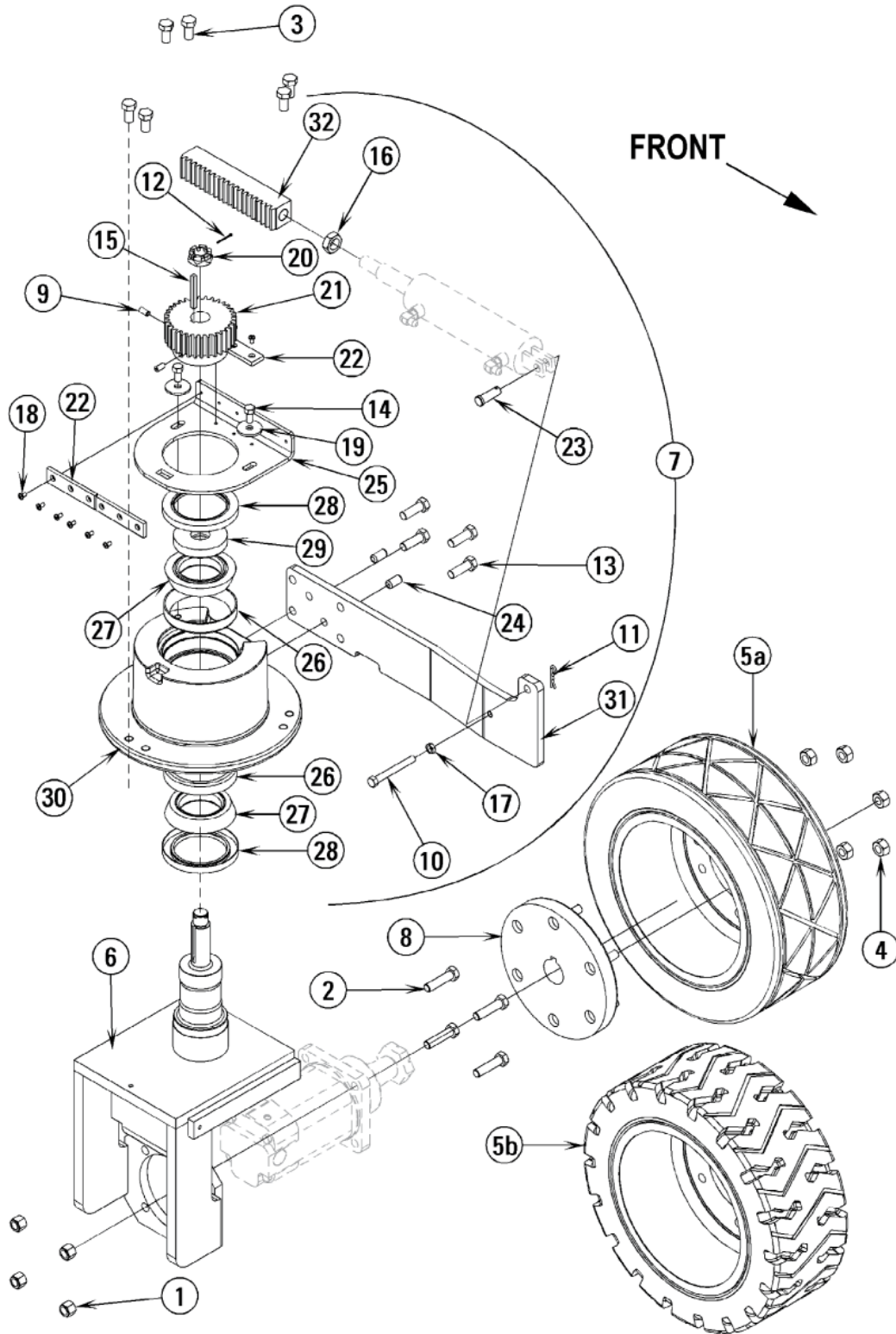
Resource notes:

NOTE 1: The detergent injection system is only available as a field installed kit (56306138).

| Pos. | Artikel-Nr. | Menge | Variante | Notes |
|------|-------------|-------|----------------------------|-------|
| 00 | 56306149 | 1 | PUMP ASSY 12 VDC | [1] |
| 01 | 56001939 | 2 | Flachdichtung 5/16 | |
| 02 | 56001954 | 6 | WSH FLT SAE 10 | |
| 03 | 56002098 | 2 | Scheibe | |
| 04 | 56002115 | 1 | SCR SOC HD 1/4-20 X .50 | |
| 05 | 56002155 | 2 | SCR HEX 1/4-20 X .75 | |
| 06 | 56002701 | 2 | MUTTER 5-16-18 HEX JAM | |
| 07 | 56002708 | 2 | Stopmutter 1/4-20 | |
| 08 | 56002793 | 2 | Schraube PAN PHIL 5/16-18 | |
| 09 | 56002824 | 4 | SCR PAN PHIL 10-24X1.25 | |
| 10 | 56002832 | 6 | 6-Kt Mutter Nylon | |
| 11 | 56003574 | 2 | SCR PAN PHIL SS 10-24X1.50 | |
| 12 | 56219932 | 2 | Briede | |
| 13 | 56244969 | 4 | Schlauch-Briede | |
| 14 | 56412277 | 1 | Schlauch f. Frischwasser- | |
| 15 | 56305762 | 1 | Schlauch | |
| 16 | 56303285 | 1 | Lager, FI .500x.375x.250 | |
| 17 | 56303313 | 1 | Sensor f. Fahrpedal | [2] |
| 18 | 56305591 | 1 | HOSE SPIRAL .750 E00605 | |
| 19 | 56306122 | 1 | MOUNT PUMP | |
| 20 | 56306129 | 1 | CONTROL ARM WELDT | |
| 21 | 56306140 | 1 | Pumpe 12V / 60PSI | [3] |
| 22 | 56306162 | 1 | BRACKET PIVOT | |
| 23 | 56306165 | 1 | PIVOT SENSOR WELT | |
| 24 | 56306168 | 1 | CONDUIT SOLUTION HOSE 44LG | |
| 25 | 56314942 | 1 | Schlauch | |
| 26 | 56306194 | 1 | T-Stück | |
| 27 | 56508737 | 1 | Lager | |
| 28 | 56900245 | 1 | BARB ELBOW E00037 | |

Part Notes:

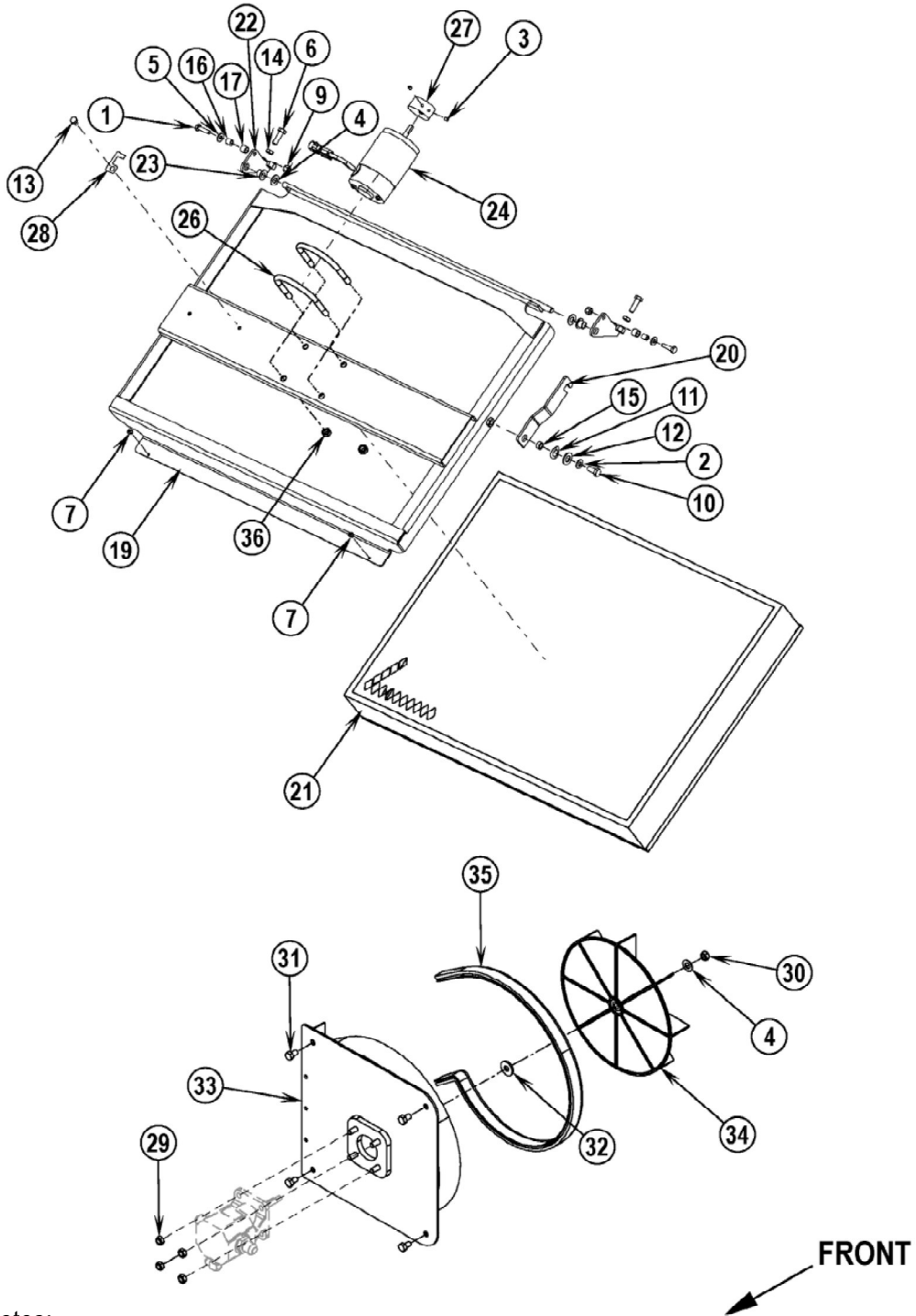
- [1] - NOTE 1
NON-SALEABLE USE 56306140
- [2] - R4
- [3] - M6



| Pos. | Artikel-Nr. | Menge | Variante | Notes |
|------|-------------|-------|-------------------------------|-------|
| 01 | 56002770 | 4 | Mutter 1/2 - 13 | |
| 02 | 56002983 | 4 | SCR HEX 1/2-13x2.00 | |
| 03 | 56003083 | 6 | Radbolzen | |
| 04 | 56009116 | 6 | Mutter 1/2-20 | |
| 05A | 56305038 | 1 | Rad | [1] |
| 05A | 56304027 | 1 | HUB REAR | [2] |
| 05A | 56380444 | 1 | Rad CR 1200 | [3] |
| 05B | 56304025 | 1 | Vollgummirad 16,25x6 | [2] |
| 05B | 56304027 | 1 | HUB REAR | [2] |
| 05B | 56304044 | 1 | Hinterrad | [4] |
| 05C | 56305997 | 1 | WHEEL ASSY 6 3X-GROOVE IC MDL | [5] |
| 05C | 56305996 | 1 | TIRE 6 3X-GROOVE | [2] |
| 05D | 56306207 | 1 | Rad kpl. (Gas+Diesel) | [6] |
| 05D | 56304027 | 1 | HUB REAR | |
| 05D | 56380444 | 1 | Rad CR 1200 | |
| 06 | 56305466 | 1 | Radgabel m. Spindel | |
| 07 | 56304576 | 1 | Getriebeeinheit f. An- | [7] |
| 08 | 56305037 | 1 | Nabe kpl. | |
| 09 | 56002021 | 2 | 5/16-18x3/8 set screw | |
| 10 | 56003006 | 1 | SCR HEX THD TO HD 3/8-16X | |
| 11 | 56003120 | 1 | Vorstecker | |
| 12 | 56002574 | 1 | Pin | |
| 13 | 56002954 | 4 | Schraube 1/2-13x1 | |
| 14 | 56003485 | 2 | Schraube 1/2 20x1.00 | |
| 15 | 56003248 | 1 | Keil SQ. 25X2.31 | |
| 16 | 56009083 | 1 | Mutter 3/4-16 | |
| 17 | 56002769 | 1 | Stopmutter 3/8-16 | |
| 18 | 56002043 | 9 | Schraube 10-24 x 38 | |
| 19 | 56009115 | 2 | WSH FLT HARDENED .594X1. | |
| 20 | 56110817 | 1 | Kronenmutter | |
| 21 | 56418477 | 1 | Zahnrad | |
| 22 | 56418575 | 3 | Platte | |
| 23 | 56486733 | 1 | PIN-CLEVIS-.5X1.5 | |
| 24 | 56002655 | 2 | PIN DWL STD .50 X 1.00 | |
| 25 | 56304582 | 1 | Anschlußwinkel | |
| 26 | 56304747 | 2 | Lager | |
| 27 | 56304748 | 2 | Lager | |
| 28 | 56304749 | 2 | Dichtung | |
| 29 | 56304766 | 1 | Distanzbuchse | |
| 30 | 56304782 | 1 | Gehäuse f. Antriebsrad | [7] |
| 31 | 56305521 | 1 | BRACKET CYLINDER MOUNT | |
| 32 | 56305041 | 1 | Steg | |

Part Notes:

- [1] - STD / High Taction
EXPIRED USE 56306207
- [2] - Not Shown
- [3] - STD / High Taction - Not Shown
- [4] - Optional / High Durability
- [5] - Not Shown - Optional
- [6] - Not shown - Optional - TSBUS2009-1038TSB US 2009-1038. Introduction of Directional Hi-Traction U. Wheel
- [7] - EXPIRED ON 3/19/2018



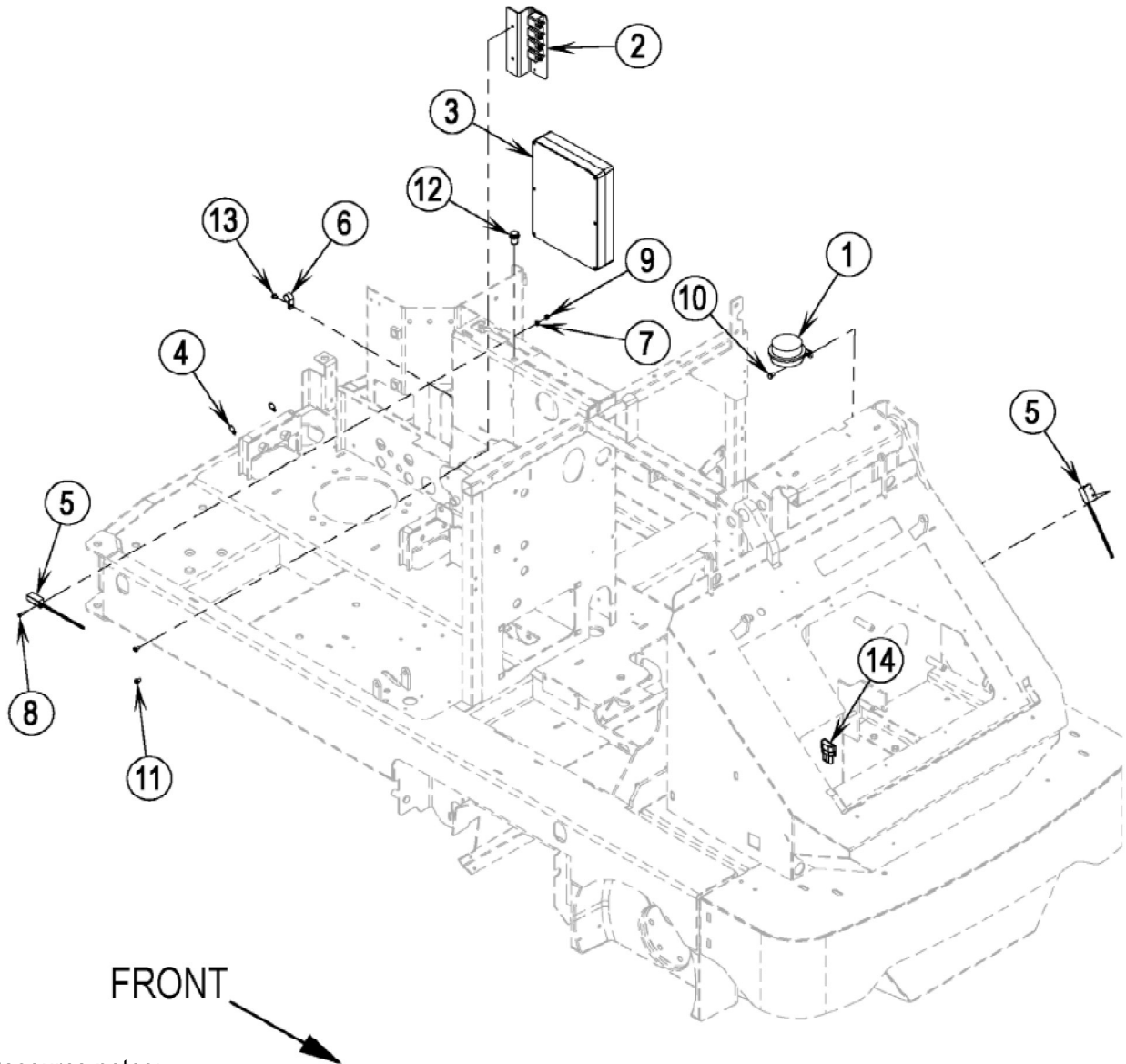
Resource notes:

NOTE 1: Shaker motor 56418389 is no longer available. If you order the old shaker motor 56418389 you will receive Shaker Motor Kit 56508773 which includes items (24 & 26).

| Pos. | Artikel-Nr. | Menge | Variante | Notes |
|------|-------------|-------|--|-------|
| 01 | 56002093 | 2 | SCR HEX HD 1/4-20 X 1.00 | |
| 02 | 56001939 | 1 | Flachdichtung 5/16 | |
| 03 | 56002015 | 2 | Madenschraube 10-24x25 | |
| 04 | 56002063 | 3 | "U-Scheibe 3/8"" | |
| 05 | 56002098 | 2 | Scheibe | |
| 06 | 56002221 | 2 | SCR HEX HD 5/16-18 X 1.00 | |
| 07 | 56002453 | 2 | SCR PAN PHIL 10-24 X .25 | |
| 09 | 56002708 | 2 | Stopmutter 1/4-20 | |
| 10 | 56002956 | 1 | Schraube HEX LOC 5/16-18 | |
| 11 | 56009001 | 1 | WASHER, BOWED .515 | |
| 12 | 56009003 | 1 | Unterlagsscheibe | |
| 13 | 56009019 | 1 | Schraube 1/4-20x.38 | |
| 14 | 56009086 | 2 | NUT, HEX JAM 5/16-18 | |
| 15 | 56320595 | 1 | BUECHSE | |
| 16 | 56321532 | 2 | BUSHING .25X.37X.40HC42C | |
| 17 | 56370754 | 2 | BEARING SLEEVE .379CV211KE0202 | |
| 19 | 56416289 | 1 | Grundrahmen f. Filter | |
| 20 | 56416511 | 1 | LATCH SHAKER | |
| 21 | 56303580 | 1 | Polyesterfilter wasser-fest CR 1200 / 14 | [1] |
| 22 | 56416625 | 2 | SHAKER HINGE WELDT | |
| 23 | 56416675 | 2 | BUSHING FLANGE | |
| 24 | 56508664 | 1 | Rüttelmotor 12V | [2] |
| 25 | 56418488 | 1 | IMPELLOR ASSEMBLY | [3] |
| 26 | 56508888 | 2 | Bügel | [2] |
| 27 | 56491822 | 1 | ECCENTRIC | |
| 28 | 56409769 | 1 | CLIP WEATHER PACK | |
| 29 | 56002826 | 4 | NUT HEX NYLOC THIN 5/16-1 | |
| 30 | 56002866 | 1 | Mutter HEX NYL LOC | |
| 31 | 56002923 | 4 | SCR HEX LOC 5/16-18 X .50 | |
| 32 | 56009107 | 1 | U-Scheibe FLT SS.378 | |
| 33 | 56418784 | 1 | IMPELLOR BRACKET WELDT | |
| 34 | 56418897 | 1 | Lüfterrad | |
| 35 | 56419370 | 1 | TRIM SEAL | |
| 36 | 56002841 | 4 | NUT HEX NYL LOC-THIN 3/8 | |

Part Notes:

- [1] - EXPIRED USE 56382783
 [2] - NOTE 1
 [3] - 4 AND 29-35



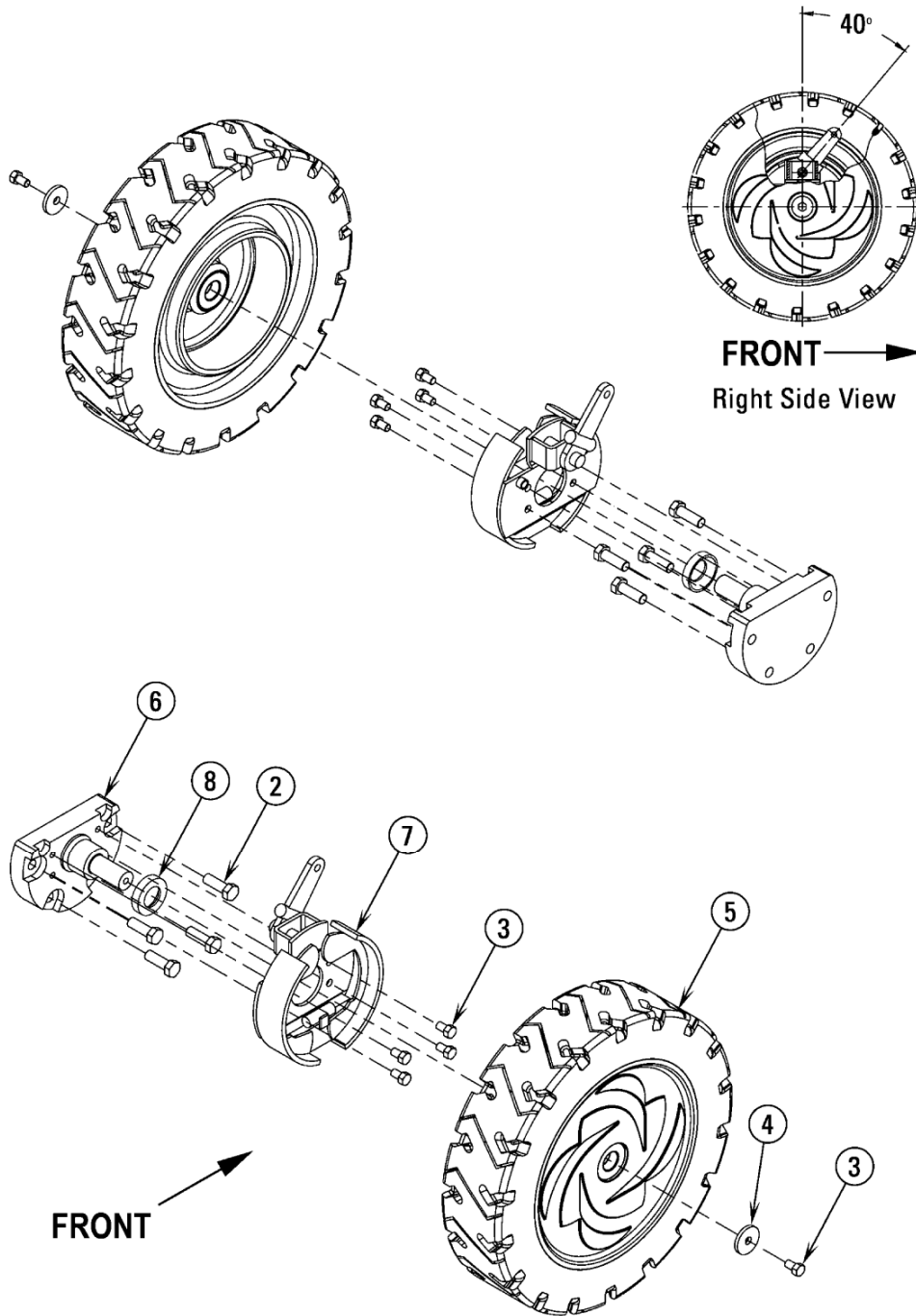
Resource notes:

NOTE 1: Refer to model numbers on the front cover.

| Pos. | Artikel-Nr. | Menge | Variante | Notes |
|------|-------------|-------|-----------------------------|-------|
| 00 | 56305013 | 1 | CABLE NEG. BATTERY | [1] |
| 00 | 56304421 | 1 | HARNESS HOPPER | [1] |
| 00 | 56304758 | 1 | HARNESS MAIN | [2] |
| 00 | 56304780 | 1 | CORD ASSEMBLY HOPPER | [1] |
| 00 | 56305797 | 1 | HARNESS DIESEL MAIN | [3] |
| 00 | 56306082 | 1 | HARNESS G/P MAIN | [4] |
| 00 | 56372673 | 2 | BOOT, BATTERY POST | [1] |
| 00 | 56304759 | 1 | HARNESS SHAKER MOTOR | [1] |
| 00 | 56305499 | 1 | CABLE ASSEMBLY | [1] |
| 00 | 56305012 | 1 | CABLE POS. BATTERY | [1] |
| 01 | 56442054 | 1 | HORN 12 Vsiehe 145 3801 000 | |
| 02 | 56009063 | 4 | SCR HEX THD FORM 10-24X .25 | [5] |
| 02 | 56305396 | 1 | ASSEMBLY RELAY MOUNT | [5] |
| 02 | 56305859 | 1 | ASSEMBLY RELAY MOUNT | [6] |
| 02 | 56305386 | 1 | RELAY MOUNT | [7] |
| 02 | 56418387 | 1 | Relais, SPDT | |
| 03 | 56305288 | 1 | Elektronikbox CR 1400 | |
| 04 | 56305237 | 2 | Glühlampe | |
| 05 | 56305053 | 2 | Näherungssensor | [8] |
| 06 | 56486112 | 1 | Kabelklammer | |
| 07 | 56001954 | 1 | WSH FLT SAE 10 | |
| 08 | 56002674 | 1 | SCR PAN HD PHIL 10-24X1.0 | |
| 09 | 56002832 | 1 | 6-Kt Mutter Nylon | |
| 10 | 56009033 | 1 | Schraube 1/4-20X1 2HP 5 | |
| 11 | 56009069 | 2 | "Zollschraube 1/4" 20x50" | |
| 12 | 56305660 | 1 | LIGHT RED LED INDICATOR | [9] |
| 13 | 56009019 | 1 | Schraube 1/4-20x.38 | |
| 14 | 56462372 | 1 | CONN.WR.PK.FEMALE 3 | |

Part Notes:

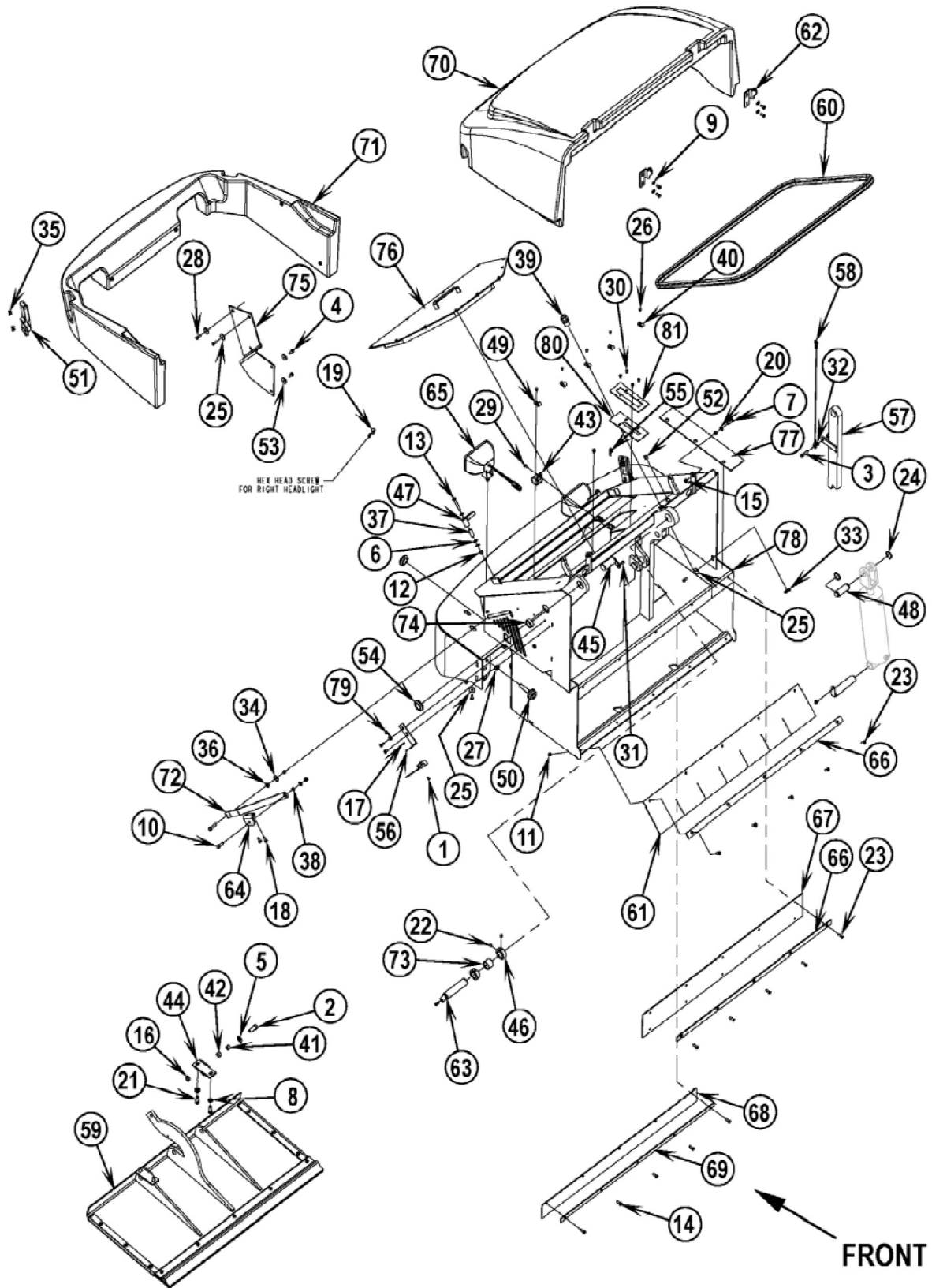
- [1] - Not Shown
- [2] - (Gasoline/Petrol / LPG) 56304XXX models / NOTE 1 - Not Shown
- [3] - Diesel - Not Shown
- [4] - (Gasoline/Petrol / LPG) 56306XXX models / NOTE 1 - Not Shown
- [5] - Gasoline/Petrol / LPG
- [6] - Diesel
- [7] - Diesel/Gasoline/Petrol / LPG
- [8] - S12 / Hopper Interlock and S16 / Main Broom
- [9] - H8 / Broom Pressure



| Pos. | Artikel-Nr. | Menge | Variante | Notes |
|------|-------------|-------|-------------------------|-------|
| 02 | 56002954 | 8 | Schraube 1/2-13x1 | |
| 03 | 56003079 | 8 | SCR HEX HD LOC 3/8-16X1 | |
| 04 | 56367117 | 2 | Scheibe Stahl | |
| 05 | 56304024 | 1 | Reifen 16 x 4 | [1] |
| 05 | 56382656 | 2 | WHEEL FRONT | |
| 05 | 56111531 | 2 | Kugellager | [2] |
| 05 | 56382835 | 1 | HUB KIT | [1] |
| 06 | 56305927 | 2 | Radnabe vorne CR 1200 | |
| 07 | 56418580 | 1 | LEVER BRAKE | [3] |
| 07 | 56305600 | 1 | Bremsklotz | [4] |
| 07 | 56410012 | 2 | Bremsbeläge | |
| 08 | 56305742 | 2 | Distanzscheibe CR 1200 | |

Part Notes:

- [1] - 1 per wheel assy - Not Shown
- [2] - 2 per wheel assy TSBUS2007-981 - Not Shown TSB US 2007-981. Front Wheel Hub and Bearing
- [3] - Not Shown
- [4] - 2 required per Brake Assy - Not Shown

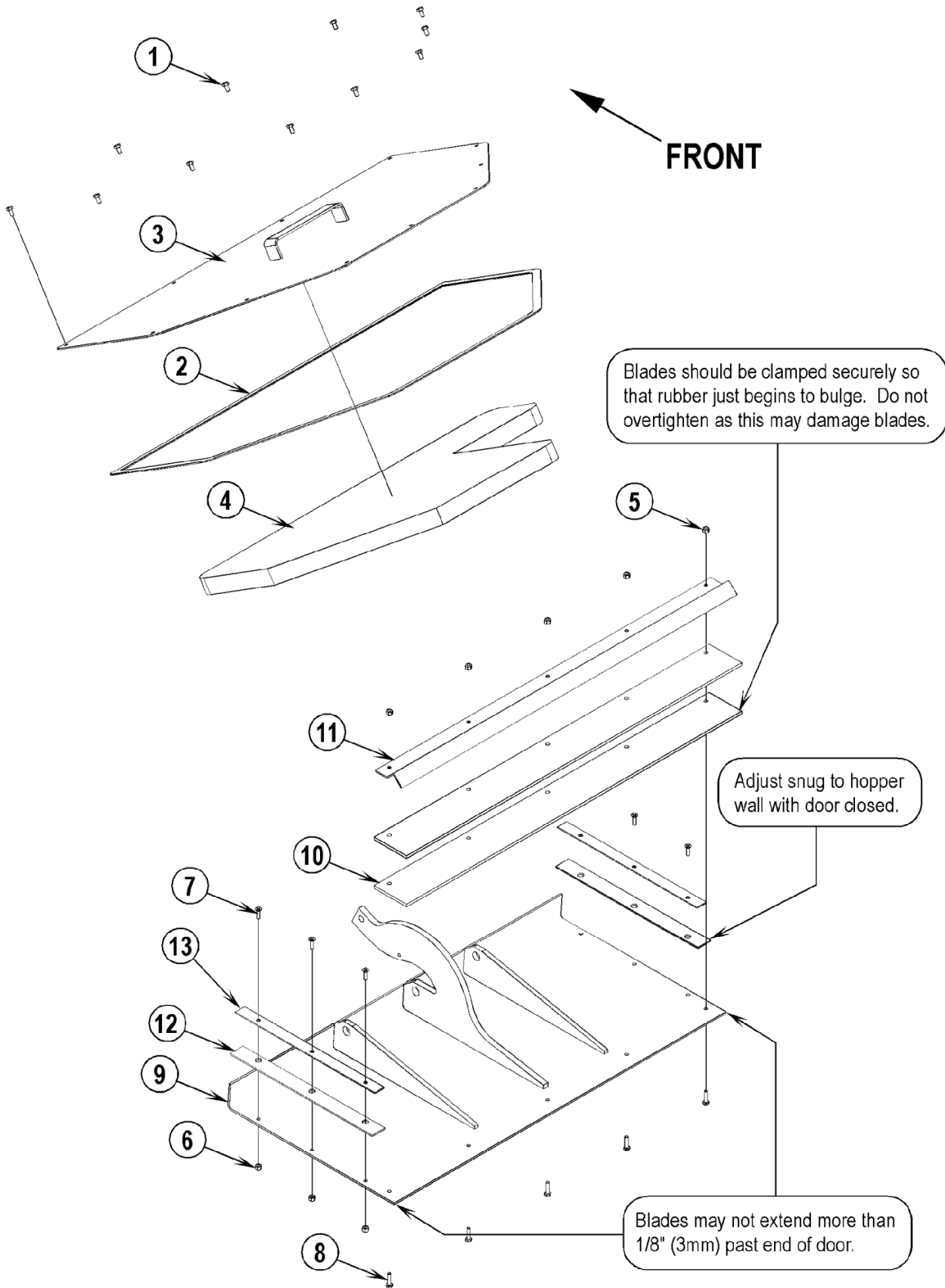


| Pos. | Artikel-Nr. | Menge | Variante | Notes |
|------|-------------|-------|------------------------------------|-------|
| 00 | 56486112 | 2 | Kabelklammer | [1] |
| 01 | 56001818 | 1 | SCR PAN PHIL 8-32 X .38 | |
| 02 | 56001831 | 2 | Schraube 1/2-13X1.25 | |
| 03 | 56001834 | 2 | Schraube 5/16-18 x 1,25 | |
| 04 | 56001836 | 8 | Schraube 1/4-20x0.62 | |
| 05 | 56001879 | 2 | U-SCHEIBEN | |
| 06 | 56001939 | 7 | Flachdichtung 5/16 | |
| 07 | 56002037 | 2 | SCR HEX 5/16-18 X .88 | |
| 08 | 56002063 | 4 | "U-Scheibe 3/8"" | |
| 09 | 56002098 | 4 | Scheibe | |
| 10 | 56002221 | 1 | SCR HEX HD 5/16-18 X 1.00 | |
| 11 | 56002491 | 15 | Stopmutter 1/4-20 | |
| 12 | 56002701 | 3 | MUTTER 5-16-18 HEX JAM | |
| 13 | 56002721 | 2 | Schraube 5/16x2.0 | |
| 14 | 56002807 | 5 | Schraube Zoll | |
| 15 | 56002826 | 4 | NUT HEX NYLOC THIN 5/16-1 | |
| 16 | 56002843 | 2 | NUT HEX NYL LOC-THIN1/2-1 | |
| 17 | 56002877 | 1 | NUT HEX NYL LOC SS 8-32 | |
| 18 | 56002922 | 6 | SCR HEX LOC 1/4-20 X .62 | |
| 19 | 56002929 | 1 | SCR HEX HD LOC 5/16-18X | |
| 20 | 56002938 | 2 | WSH FLT SAE SS 5/16 | |
| 21 | 56002947 | 4 | SCR HEX HD LOC 3/8-18 X 1 | |
| 22 | 56003081 | 4 | Madenschraube 3/8 x 16 | |
| 23 | 56002711 | 10 | SCHRQAUBE 1/4-20X3/4KONISCH | |
| 24 | 56003258 | 2 | Federscheibe | |
| 25 | 56009002 | 4 | UNTERLEGSSCHEIBE, FLACH | |
| 26 | 56009012 | 5 | Schraube 10-24 x 3/8Siehe 56009039 | |
| 27 | 56002770 | 2 | Mutter 1/2 - 13 | |
| 28 | 56009018 | 2 | SCHRAUBE 1/4-20X3/4 HP5 | |
| 29 | 56009019 | 2 | Schraube 1/4-20x.38 | |
| 30 | 56009082 | 4 | SCR PANPHILT HD FORMBLD10 | |
| 31 | 56009033 | 5 | Schraube 1/4-20X1 2HP 5 | |
| 32 | 56009086 | 1 | NUT, HEX JAM 5/16-18 | |
| 33 | 56009095 | 1 | Mutter 1/2-14 | |
| 34 | 56009122 | 1 | Unterlegscheibe | |
| 35 | 56002043 | 8 | Schraube 10-24 x 38 | |
| 36 | 56244937 | 1 | BUSHING FLANGE .328FC428C | |
| 37 | 56300241 | 2 | BUSHING .33X.50X1.3HA515A | |
| 38 | 56320595 | 3 | BUECHSE | |
| 39 | 56323135 | 1 | Stopfbüchse BR1000 | |
| 40 | 56342319 | 2 | CLAMP CABLE .375 AS211E | |
| 41 | 56360627 | 2 | Büchse | |
| 42 | 56370878 | 2 | Lagerbüchse | |
| 43 | 56409463 | 1 | Clamp, 1.25 Hose support | |
| 44 | 56416253 | 2 | HINGE WELDMENT | |
| 45 | 56416308 | 2 | Bolzen, links | |
| 46 | 56416498 | 2 | COLLAR HOPPER HINGE | |
| 47 | 56416674 | 2 | Halterung f. Filter | |
| 48 | 56418625 | 1 | Bolzen, zylindrisch, kurz | |
| 49 | 56442011 | 3 | CLAMP CABLE .438 E00129 | |
| 50 | 56449221 | 2 | DAEMPFER | |
| 51 | 56462746 | 2 | Haubenhalter | |
| 52 | 2-00-03778 | 1 | HEX HD 1/8 NPT PLUG | |
| 54 | 56486116 | 3 | GROMMET E00059 | |
| 55 | 56003120 | 1 | Vorstecker | |
| 56 | 56304416 | 1 | BRACKET MAGNETIC SWITCH | |
| 57 | 56304526 | 1 | Halterung | |
| 58 | 56304548 | 1 | PROP ROD CABLE ASSEMBLY | |
| 59 | 56304596 | 1 | Klappe für Schmutzbehälter | |

| Pos. | Artikel-Nr. | Menge | Variante | Notes |
|------|-------------|-------|---------------------------------|-------|
| 60 | 56304617 | 1 | Dichtung | |
| 61 | 56305593 | 1 | Sauglippen f. Kehrgutbehälter | [2] |
| 61 | 56304665 | 1 | Spritzgummi CR 1200 | |
| 62 | 56304677 | 2 | HINGE PLATE | |
| 63 | 56304683 | 2 | PIN HOPPER HINGE WELDMENT | |
| 64 | 56304685 | 1 | BRACKET PROP | |
| 65 | 56304783 | 1 | Leuchtmittel | [3] |
| 65 | 56304768 | 2 | Lampe 12V CR 1400 | |
| 66 | 56304807 | 2 | Halteleiste CR 1200 | |
| 67 | 56304810 | 1 | Dichtung SchmutzbehälterCR 1200 | |
| 68 | 56304815 | 1 | Gummileiste f. CR 1200 | |
| 69 | 56304816 | 1 | Befestigungsschiene | |
| 70 | 56304832 | 1 | COVER HOPPER | |
| 71 | 56304833 | 1 | COVER HOPPER BOTTOM | |
| 72 | 56304863 | 1 | Strebe | |
| 73 | 56304896 | 1 | BEARING SLEEVE 1.125X1.375X.5 | |
| 74 | 56304897 | 1 | Lagerbuchse | [4] |
| 75 | 56305183 | 1 | BRACKET LOWER HOPPER COVER | |
| 76 | 56305190 | 1 | Verschußklappe | |
| 77 | 56305196 | 1 | Gummilippe | |
| 78 | 56305465 | 1 | Gehäuse f. Kehrvorsatz | [5] |
| 79 | 56409769 | 1 | CLIP WEATHER PACK | |
| 80 | 56419264 | 1 | Manschette | |
| 81 | 56419265 | 1 | Platte | |

Part Notes:

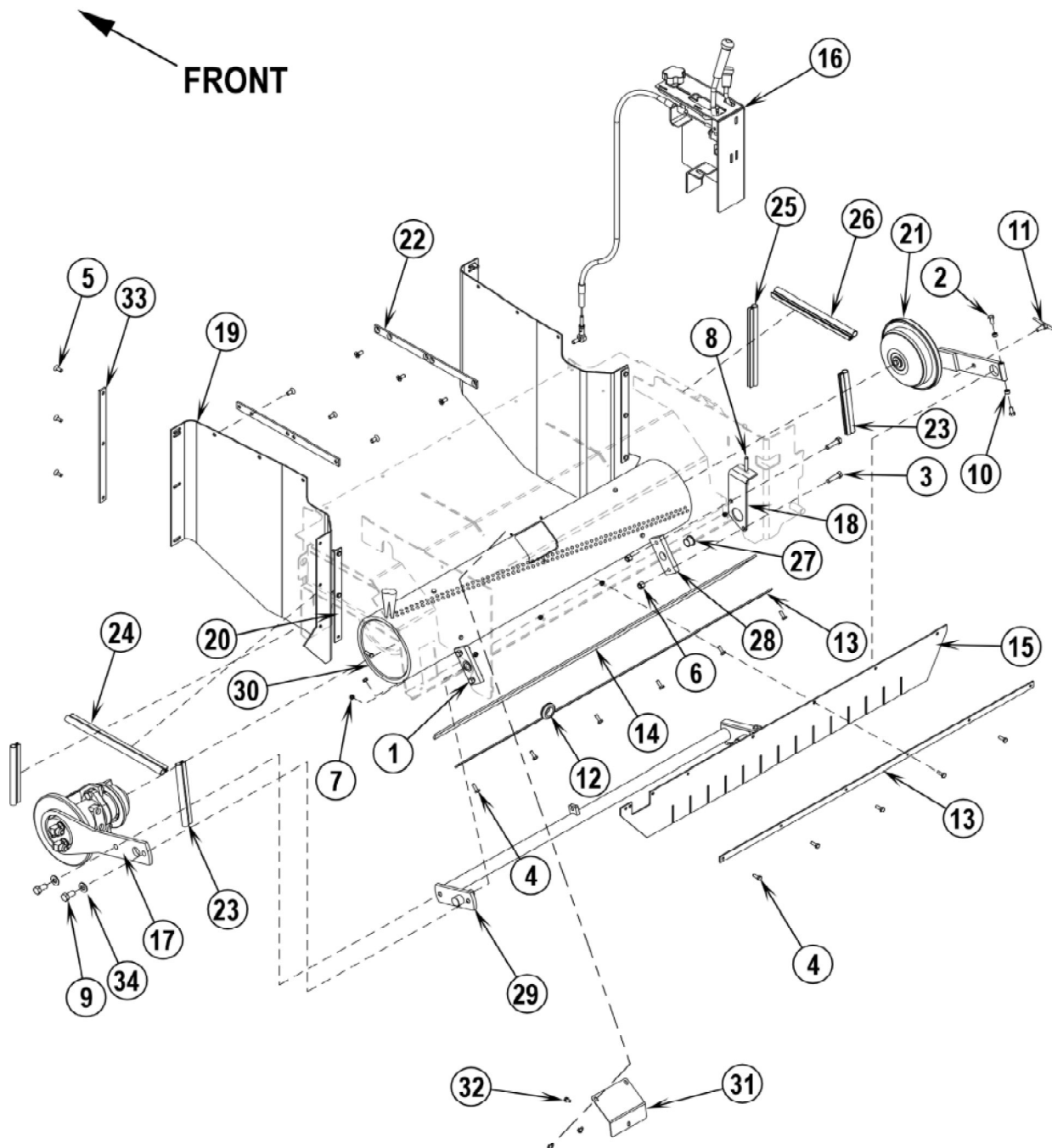
- [1] - Not Shown
- [2] - Optional
- [3] - For 56304768
- [4] - TSBUS2004-865
- [5] - SEE PI 2017-002



| Pos. | Artikel-Nr. | Menge | Variante | Notes |
|------|-------------|-------|------------------------------------|-------|
| 00 | 56304596 | 1 | Klappe für Schmutzbehälter | [1] |
| 00 | 56305190 | 1 | Verschußklappe | [2] |
| 01 | 56009012 | 11 | Schraube 10-24 x 3/8Siehe 56009039 | |
| 02 | 56330682 | 1 | Dichtung1/16x1/2x120 HC525F | [3] |
| 03 | 56304401 | 1 | Abdeckung | |
| 04 | 56304729 | 1 | FOAM ACCESS PANEL | |
| 05 | 56002491 | 5 | Stopmutter 1/4-20 | |
| 06 | 56002491 | 6 | Stopmutter 1/4-20 | |
| 07 | 56002711 | 6 | SCHRQAUBE 1/4-20X3/4KONISCH | |
| 08 | 56002883 | 5 | Schraube SS1/4-20x75 | |
| 09 | 56304597 | 1 | DUMP DOOR WELDMENT | |
| 10 | 56304808 | 2 | Gummileiste (Tür) CR1200 | |
| 11 | 56304809 | 1 | Anschlagwinkel | |
| 12 | 56419440 | 2 | Gummileiste Neoprene | |
| 13 | 56419441 | 2 | Befestigungsschiene | |

Part Notes:

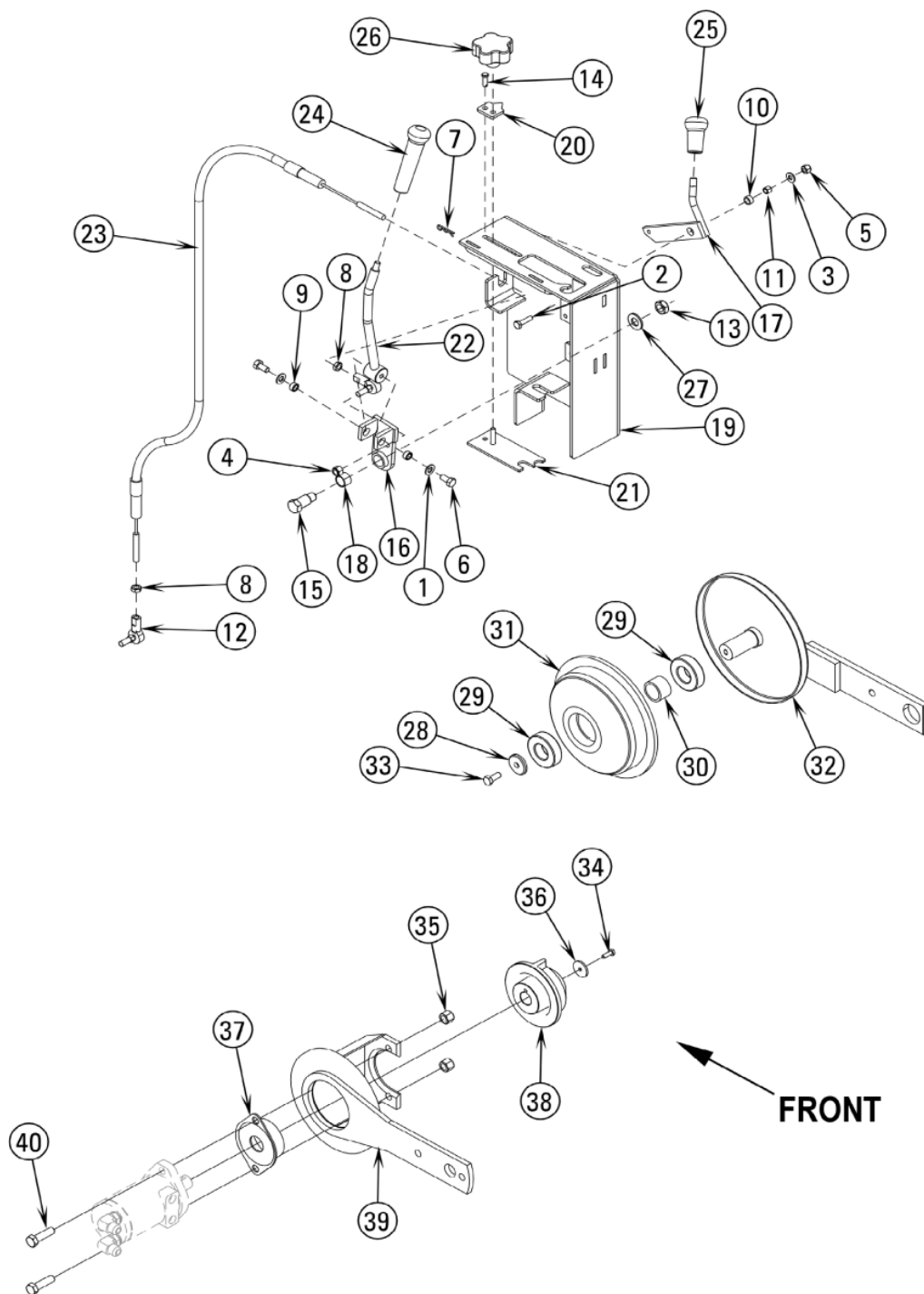
- [1] - 5-13
 [2] - 1-4
 [3] - qty in feet
 EXPIRED NO REPLACEMENT



| Pos. | Artikel-Nr. | Menge | Variante | Notes |
|------|-------------|-------|-------------------------------------|-------|
| 00 | 56505953 | 1 | Kehrwalze Nylon 8R | [1] |
| 00 | 56505956 | 1 | Kehrwalze PPN 8R | [1] |
| 00 | 56505951 | 1 | Kehrwalze Poly/Stahl 8R | [1] |
| 00 | 56505954 | 1 | Kehrwalze Pro-ex 8R | [1] |
| 00 | 56505952 | 1 | Kehrwalze Pro-ex 12R | [1] |
| 01 | 56002095 | 2 | Schraube 3/8-16 X 1.50 | [2] |
| 02 | 56002035 | 2 | 002721X HD 5/16-18X.62 | |
| 03 | 56002095 | 2 | Schraube 3/8-16 X 1.50 | [2] |
| 04 | 56002155 | 18 | SCR HEX 1/4-20 X .75 | |
| 05 | 56002395 | 12 | Schraube, FLT-PHIL 5/16 | |
| 06 | 56002769 | 4 | Stopmutter 3/8-16 | |
| 07 | 56002840 | 12 | Nut 1/4 20 | |
| 08 | 56002013 | 1 | Schraube 5/16-18X | |
| 09 | 56003083 | 2 | Radbolzen | |
| 10 | 56320595 | 2 | BUECHSE | |
| 11 | 56416382 | 1 | Schraube spez. | |
| 12 | 56486116 | 1 | GROMMET E00059 | |
| 13 | 56303147 | 2 | Befestigungsschiene | |
| 14 | 56303148 | 1 | Befestigungsleiste | |
| 15 | 56303149 | 1 | Spritzschutz | |
| 16 | 56304753 | 1 | BROOM LIFT ASSEMBLY | |
| 17 | 56304913 | 1 | Aufnahme f. Kehrwalze | |
| 18 | 56304919 | 1 | BROOM ADJUSTER | |
| 19 | 56304924 | 2 | Gummi | |
| 20 | 56304925 | 2 | Bandeisen | |
| 21 | 56304979 | 1 | Bürstenarm rechts kompletzu CR 1400 | |
| 22 | 56305102 | 4 | Befestigungsschiene | [3] |
| 23 | 56305198 | 1 | Dichtung | |
| 24 | 56305199 | 1 | Dichtung | |
| 25 | 56305200 | 10 | Dichtung | |
| 26 | 56305201 | 1 | Dichtung | |
| 27 | 56305255 | 2 | BEARING FLANGE | |
| 28 | 56305276 | 2 | PILLOW BLOCK | |
| 29 | 56305399 | 1 | Halterung f. Kehrwalze | |
| 30 | 56505955 | 1 | Kehrwalze Pro-ex/Stahl 8R | |
| 31 | 56305819 | 1 | COVER ACCESS | |
| 32 | 56009033 | 3 | Schraube 1/4-20X1 2HP 5 | |
| 33 | 56305960 | 2 | Befestigungsschiene | [4] |
| 34 | 56001879 | 2 | U-SCHEIBEN | |

Part Notes:

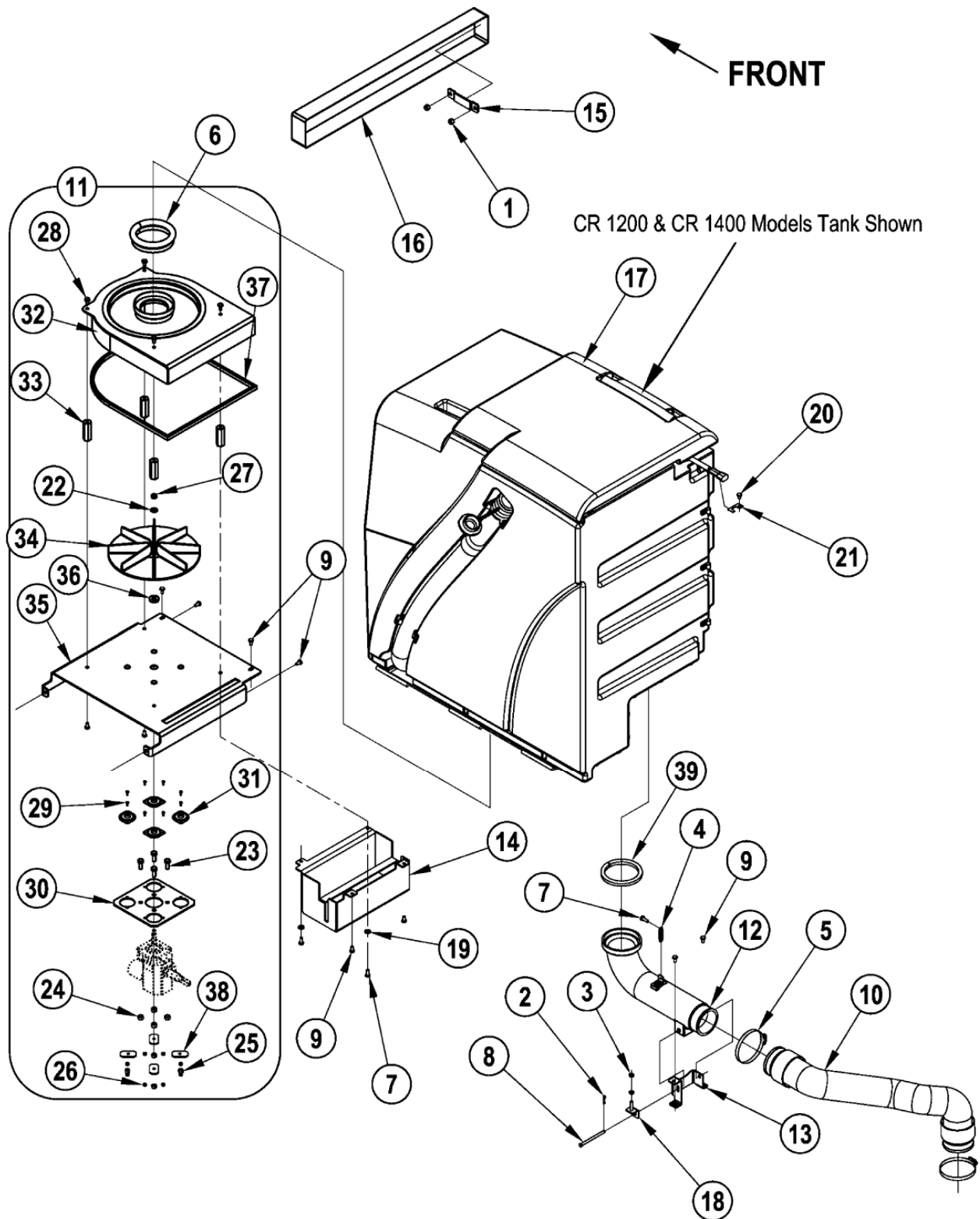
- [1] - Optional
- [2] - EXPIRED USE 56002747
- [3] - Qty of 2 after SN 182990
- [4] - after 1829990



| Pos. | Artikel-Nr. | Menge | Variante | Notes |
|------|-------------|-------|-------------------------------------|-------|
| 00 | 56304979 | 1 | Bürstenarm rechts kompletzu CR 1400 | [1] |
| 00 | 56304913 | 1 | Aufnahme f. Kehrwalze | [2] |
| 00 | 56304753 | 1 | BROOM LIFT ASSEMBLY | [3] |
| 01 | 56001939 | 2 | Flachdichtung 5/16 | |
| 02 | 56002093 | 1 | SCR HEX HD 1/4-20 X 1.00 | |
| 03 | 56002098 | 1 | Scheibe | |
| 04 | 56002950 | 1 | Mutter 5/116-24 | |
| 05 | 56002708 | 1 | Stopmutter 1/4-20 | |
| 06 | 56002929 | 2 | SCR HEX HD LOC 5/16-18X | |
| 07 | 56003332 | 1 | Pin, Cot Hair .042x.18 | |
| 08 | 56001884 | 2 | Mutter 5/16 24 | |
| 09 | 56320595 | 2 | BUECHSE | |
| 10 | 56368970 | 1 | LAGER BRONZE | |
| 11 | 56368989 | 1 | BUSHING .25x.37x.30 | |
| 12 | 56477756 | 2 | Kugelgelenk BR 800 | |
| 13 | 56002843 | 1 | NUT HEX NYL LOC-THIN1/2-1 | |
| 14 | 56003663 | 1 | Pin | |
| 15 | 56171336 | 1 | BOLT, SHOULDER | |
| 16 | 56305474 | 1 | LIFT PIVOT WELDMENT | |
| 17 | 56304345 | 1 | Hebel | |
| 18 | 56304586 | 1 | Lager 750x625x500 | |
| 19 | 56304752 | 1 | BROOM LIFT WELDMENT | |
| 20 | 56304821 | 1 | Anzeigenschild | |
| 21 | 56304822 | 1 | Anschlagplatte | |
| 22 | 56304825 | 1 | Hebel | |
| 23 | 56305009 | 1 | CABLE BROOM LIFT | |
| 24 | 56305010 | 1 | Knopf f. Bürste | |
| 25 | 56305011 | 1 | Handgriff | |
| 26 | 56305030 | 1 | Drehknopf | |
| 27 | 56001879 | 1 | U-SCHEIBEN | |
| 28 | 56358959 | 1 | WASHER, PLATED AR131C | |
| 29 | 56479430 | 2 | Kugellager 6205-2RS | |
| 30 | 56479434 | 1 | Distanzring CR 1200 | |
| 31 | 56493845 | 1 | Walzenaufnahme | [4] |
| 32 | 56304977 | 1 | RIGHT BROOM ARM WELDMENT | |
| 33 | 56002956 | 1 | Schraube HEX LOC 5/16-18 | |
| 34 | 56002155 | 1 | SCR HEX 1/4-20 X .75 | |
| 35 | 56002770 | 2 | Mutter 1/2 - 13 | |
| 36 | 56009199 | 1 | Unterlegscheibe | |
| 37 | 56455997 | 1 | Motorabdeckung | |
| 38 | 56477762 | 1 | MITNEHMER RECHTS | |
| 39 | 56305469 | 1 | Getriebe-Arm SR 1200 | |
| 40 | 56001995 | 2 | Schraube 1/2-13 x 1.75 | |

Part Notes:

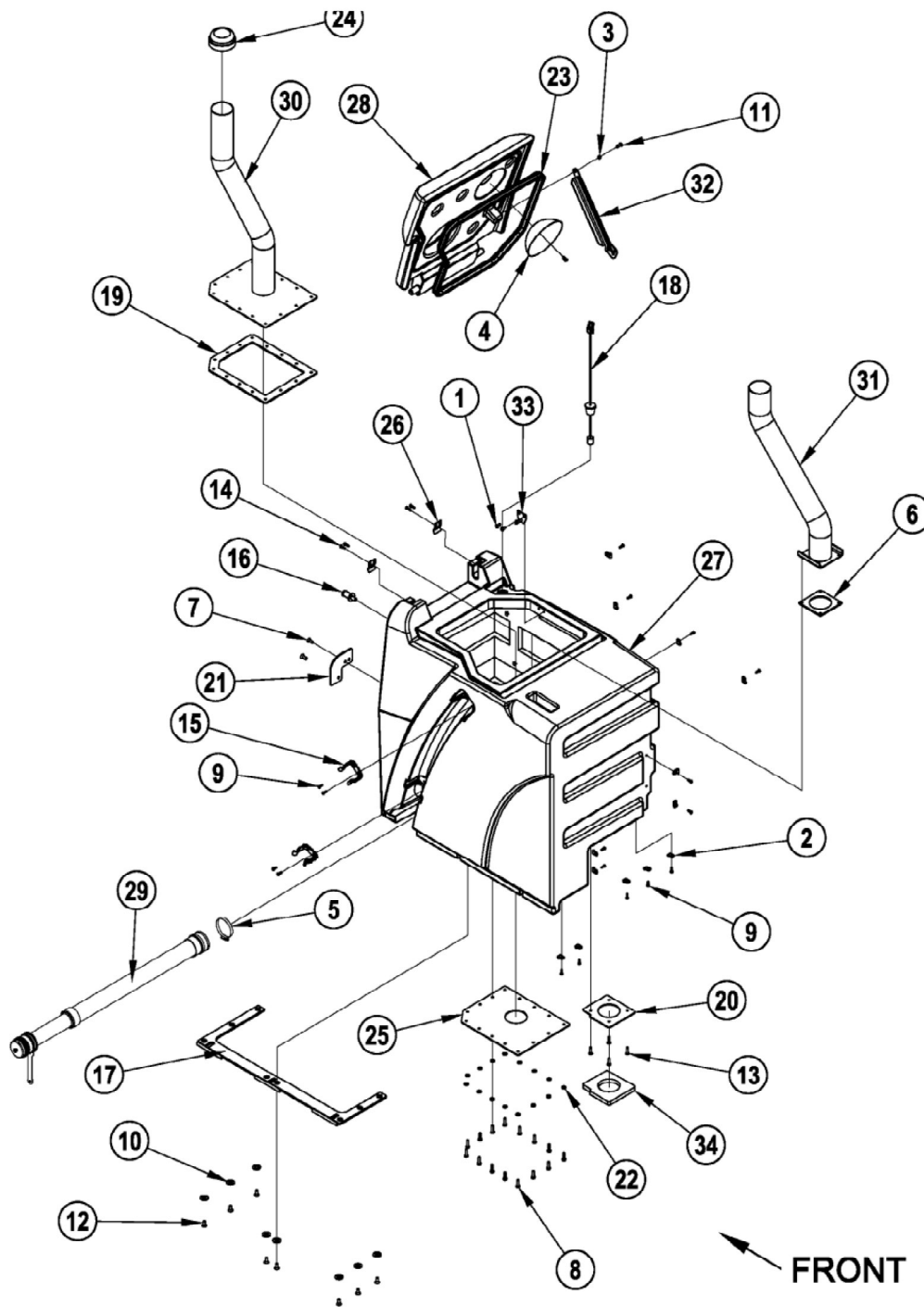
- [1] - 28-33
- [2] - 34-40
- [3] - 1-27
- [4] - EXPIRED USE 56111915



| Pos. | Artikel-Nr. | Menge | Variante | Notes |
|------|-------------|-------|-----------------------------|-------|
| 01 | 56002701 | 2 | MUTTER 5-16-18 HEX JAM | |
| 02 | 56003332 | 1 | Pin, Cot Hair .042x.18 | |
| 03 | 56009087 | 2 | Muter Hexsam 1/4-20 | |
| 04 | 56112054 | 1 | Feder | |
| 05 | 56352829 | 2 | Bride | |
| 06 | 56455984 | 1 | Dichtung | |
| 07 | 56002948 | 3 | Schraube 1/4-20 X .75 | |
| 08 | 56003669 | 1 | PIN-CLEVIS-.25X3.5 | |
| 09 | 56009033 | 8 | Schraube 1/4-20X1 2HP 5 | |
| 10 | 56305377 | 1 | Saugschlauch CR 1400 | |
| 11 | 56304800 | 1 | Saugmotor | [1] |
| 12 | 56106531 | 1 | | [2] |
| 13 | 56304844 | 1 | MOUNT PIVOT | |
| 14 | 56305306 | 1 | WELDMENT VAC FAN DEFLECTOR | |
| 15 | 56305488 | 1 | TIE DOWN | |
| 16 | 56305491 | 1 | Sicherungsgurt | |
| 17 | 56305524 | 1 | RECOVERY TANK ASSEMBLY | [3] |
| 17 | 56305063 | 1 | Einbautank | [4] |
| 18 | 56305721 | 1 | TAB ADJUST | |
| 19 | 56002098 | 2 | Scheibe | |
| 20 | 56009019 | 1 | Schraube 1/4-20x.38 | |
| 21 | 56409769 | 1 | CLIP WEATHER PACK | |
| 22 | 56002701 | 4 | MUTTER 5-16-18 HEX JAM | |
| 23 | 56002708 | 4 | Stopmutter 1/4-20 | |
| 24 | 56002830 | 8 | NUT HEX NYL LOC 6-32 | |
| 25 | 56002950 | 1 | Mutter 5/116-24 | |
| 26 | 56001939 | 1 | Flachdichtung 5/16 | |
| 27 | 56002037 | 4 | SCR HEX 5/16-18 X .88 | |
| 28 | 56003039 | 6 | Schraube 1/4-20 | |
| 29 | 56003068 | 8 | SCR HEX HD 6-32x.038 | |
| 30 | 56304647 | 1 | Führungsplatte | |
| 31 | 56304652 | 4 | Schwingungsdämpfer | |
| 32 | 56304805 | 1 | WELDMENT TOP PLATE | |
| 33 | 56304806 | 4 | SPACER | |
| 34 | 56305018 | 1 | Gebälserad | |
| 35 | 56305019 | 1 | BOTTOM PLATE | |
| 36 | 56305022 | 1 | Distanzstück .375X1.00X.250 | |
| 37 | 56305212 | 1 | SEAL | |
| 38 | 56305714 | 4 | WASHER SNUBBING | |
| 39 | 56109570 | 1 | Kantenschutz | [5] |

Part Notes:

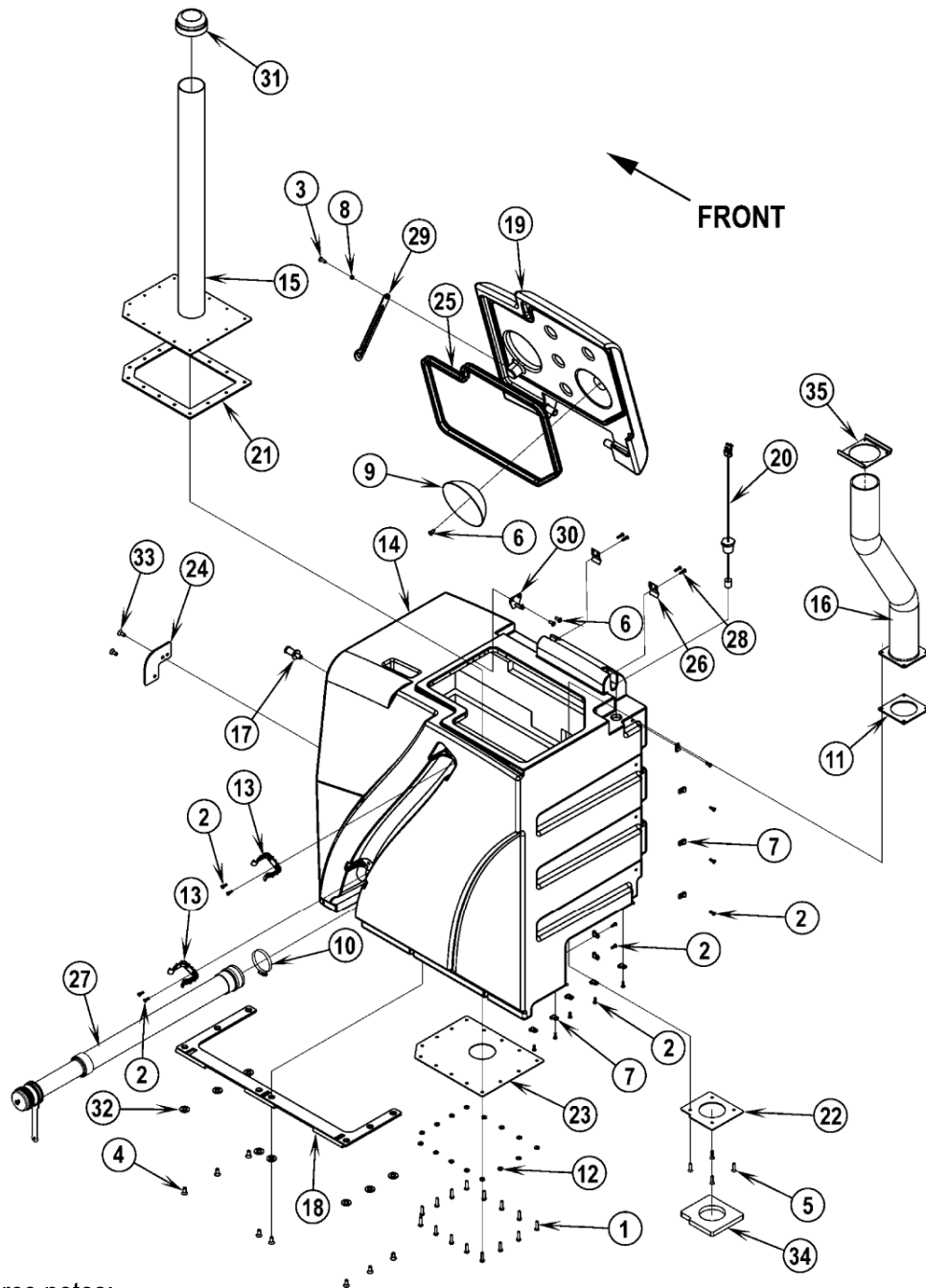
- [1] - 22-38
- [2] - Note 1
- [3] - CR 1100 models
NO LONGER AVAILABLE
- [4] - CR 1200 and CR1400 models
EXPIRED NO REPLACEMENT
- [5] - Note 2, TSBUS2006-920



| Pos. | Artikel-Nr. | Menge | Variante | Notes |
|------|-------------|-------|----------------------------------|-------|
| 00 | 56305524 | 1 | RECOVERY TANK ASSEMBLY | [1] |
| 01 | 56009120 | 3 | SCR PANPHIL SS TYPEB1/4-14X.62 | |
| 02 | 56220507 | 13 | Klammer | [2] |
| 03 | 56206784 | 1 | BUECHSE | |
| 04 | 56454718 | 1 | DEFLECTOR | |
| 05 | 56456797 | 1 | Schlauchschelle | |
| 06 | 56459136 | 1 | Dichtung | |
| 07 | 56002395 | 2 | Schraube, FLT-PHIL 5/16 | |
| 08 | 56002883 | 15 | Schraube SS1/4-20x75 | |
| 09 | 56002896 | 17 | Schraube SS10-24X0 | |
| 10 | 56002918 | 8 | Unterlegscheibe | |
| 11 | 56002957 | 1 | Schraube SS 1/4 - 20 X | |
| 12 | 56003689 | 8 | SCR FLT PHIL SS 5/16-18 X .75 | |
| 13 | 56003074 | 4 | Schraube FLT PHIL SS | |
| 14 | 56009005 | 4 | Schraube 16x.75 | |
| 15 | 56212236 | 2 | Schlauchbride BR 850 | |
| 16 | 56304864 | 1 | Arretierbolzen | |
| 17 | 56304871 | 1 | Schmutztanksensor | |
| 18 | 56305977 | 1 | Schwimmerschalter CR 1400 | [2] |
| 19 | 56305054 | 1 | Dichtung | |
| 20 | 56305060 | 1 | PLATE SEAL SQUEEGEE | |
| 21 | 56305202 | 1 | PLATE TETHER COVER | |
| 22 | 56900737 | 15 | UNTERLAGSSCHEIBE | |
| 23 | 56305834 | 1 | Dichtung | |
| 24 | 56305352 | 1 | Filtersieb | |
| 25 | 56305824 | 1 | PLATE SEAL VACUUM | |
| 26 | 56305457 | 2 | CLIP | |
| 27 | 56305523 | 1 | TANK RECOVERY 60 GAL | |
| 28 | 56305548 | 1 | LID RECOVERY TANK 60 GAL | [3] |
| 29 | 56381927 | 1 | Abwasserschlauch | |
| 29 | 56601411 | 1 | Ablassschlauchdeckel komplBA 755 | [4] |
| 29 | 56601410 | 1 | Ablassschlauch | [5] |
| 30 | 56305630 | 1 | STANDPIPE WELDMENT LEFT | |
| 31 | 56305632 | 1 | STANDPIPE WELDMENT RIGHT | [6] |
| 32 | 56305642 | 1 | SUPPORT ARM | |
| 33 | 56305644 | 1 | PROP SUPPORT WELDMENT | |
| 34 | 56307219 | 1 | Schaumdichtung | [7] |

Part Notes:

- [1] - CR 1100 MODELS
NO LONGER AVAILABLE
- [2] - (TSBUS2005-875)
- [3] - EXPIRED NO REPLACEMENT
- [4] - Not Shown
- [5] - OPTIONAL
- [6] - NO LONGER AVAILABLE
- [7] - (TSBUS2006-920)



Resource notes:

NOTE 1 = If you need to replace an old stainless steel standpipe (56304653) please order Standpipe Kit 56109569.

Recovery tank assembly (CR 1200 and 1400 Models) - Main Parts

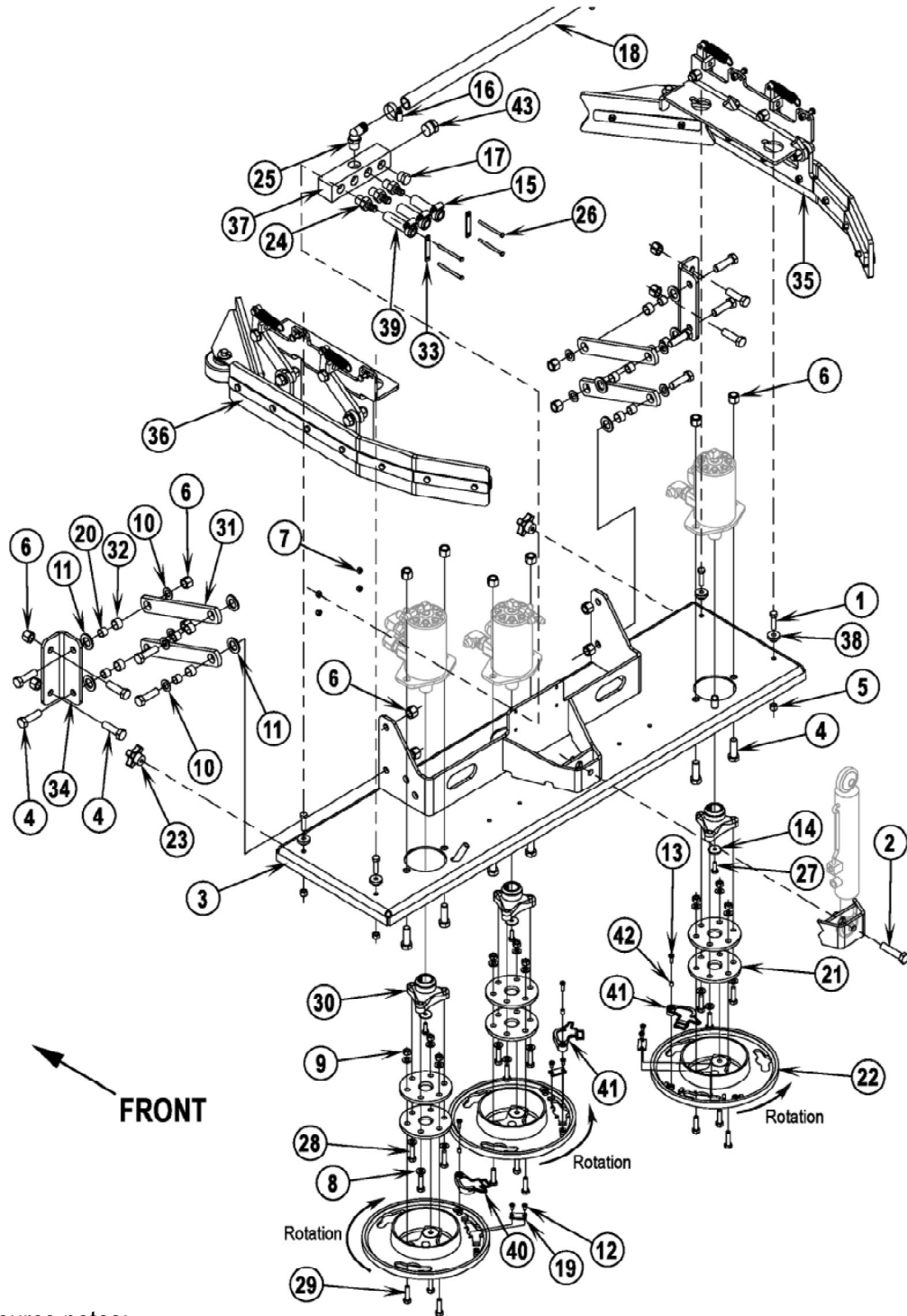
CR 1200 D/P/LPG

2013.04.02

| Pos. | Artikel-Nr. | Menge | Variante | Notes |
|------|-------------|-------|----------------------------------|-------|
| 00 | 56478246 | 2 | CABLE TIE E00549 RE438BA | [1] |
| 00 | 56305063 | 1 | Einbautank | [2] |
| 01 | 56002883 | 15 | Schraube SS1/4-20x75 | |
| 02 | 56002896 | 15 | Schraube SS10-24X0 | |
| 03 | 56002957 | 1 | Schraube SS 1/4 - 20 X | |
| 04 | 56003689 | 8 | SCR FLT PHIL SS 5/16-18 X .75 | |
| 05 | 56003742 | 4 | SCR FLT PHIL SS 1/4-20X1.25 | |
| 06 | 56009120 | 3 | SCR PANPHIL SS TYPEB1/4-14X.62 | |
| 07 | 56220507 | 11 | Klammer | [3] |
| 08 | 56206784 | 1 | BUECHSE | |
| 09 | 56454718 | 1 | DEFLECTOR | |
| 10 | 56456797 | 1 | Schlauchschelle | |
| 11 | 56459136 | 1 | Dichtung | |
| 12 | 56900737 | 15 | UNTERLAGSSCHEIBE | |
| 13 | 56212236 | 2 | Schlauchbride BR 850 | |
| 15 | 56304648 | 1 | Standrohr links | |
| 16 | 56109530 | 1 | STANDPIPE RIGHT | |
| 17 | 56304864 | 1 | Arretierbolzen | |
| 18 | 56304871 | 1 | Schmutztanksensor | |
| 20 | 56305977 | 1 | Schwimmerschalter CR 1400 | [4] |
| 21 | 56305054 | 1 | Dichtung | |
| 22 | 56305060 | 1 | PLATE SEAL SQUEEGEE | |
| 23 | 56305061 | 1 | Dichtungsplatte | |
| 24 | 56305202 | 1 | PLATE TETHER COVER | |
| 25 | 56305203 | 1 | GASKET | |
| 26 | 56305457 | 2 | CLIP | |
| 27 | 56601410 | 1 | Ablafschlauch | [5] |
| 27 | 56381930 | 1 | Ablassschlauch | [6] |
| 27 | 56601411 | 1 | Ablassschlauchdeckel komplBA 755 | [1] |
| 28 | 56009005 | 4 | Schraube 16x.75 | |
| 29 | 56305236 | 1 | SLIDE | |
| 30 | 56305247 | 1 | WELDMENT SUPPORT | |
| 31 | 56305352 | 1 | Filtersieb | |
| 32 | 56002918 | 8 | Unterlegscheibe | |
| 33 | 56002395 | 2 | Schraube, FLT-PHIL 5/16 | |
| 34 | 56307219 | 1 | Schaumdichtung | [7] |
| 35 | 56109532 | 1 | PLATE STANDPIPE | |

Part Notes:

- [1] - Not shown
- [2] - CR 1200 and CR 1400 MODELS
EXPIRED NO REPLACEMENT
- [3] - (TSBUS2005-875)
- [4] - (S8) (TSBUS2005-875)
- [5] - OPTIONAL, not included
- [6] - EXPIRED USE 56383259
- [7] - (TSBUS2006-920)



Resource notes:

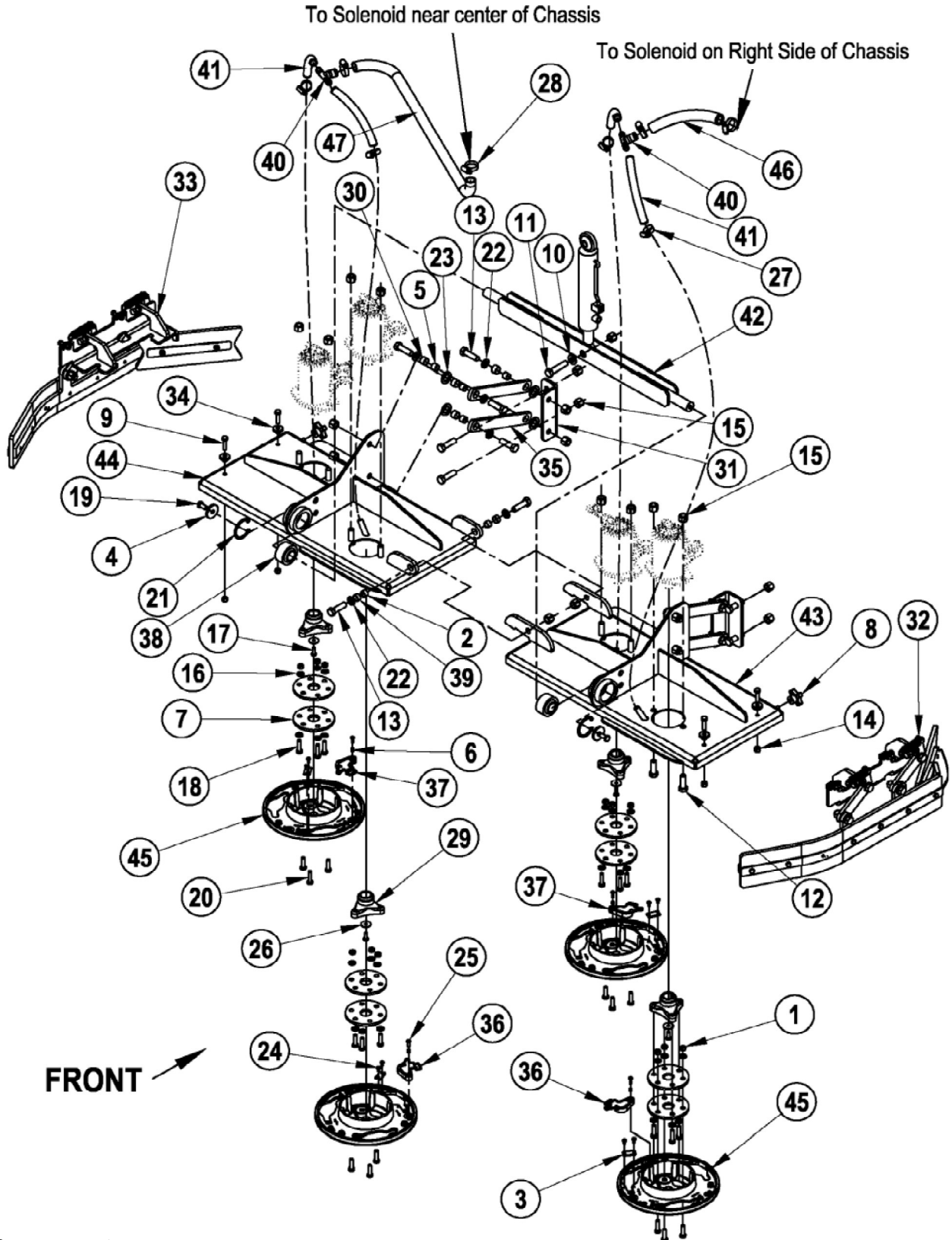
NOTE: See Hydraulic System Parts List form number 56042445 for hydraulic motor assemblies. Pos A= CR 1100 Scrub Brushes Pos B= CR 1200 Scrub Brushes

| Pos. | Artikel-Nr. | Menge | Variante | Notes |
|------|-------------|-------|-----------------------------------|-------|
| 00 | 56477613 | 2 | Kabelbändli 7x380mm | [1] |
| 01 | 56001834 | 4 | Schraube 5/16-18 x 1,25 | |
| 02 | 56001920 | 1 | Schraube | |
| 03 | 56305471 | 1 | DECK WELDMENT 48 | [2] |
| 03 | 56305937 | 1 | 4300 DECK WELDMENT - PAINTED | [3] |
| 04 | 56001995 | 18 | Schraube 1/2-13 x 1.75 | |
| 05 | 56002701 | 4 | MUTTER 5-16-18 HEX JAM | |
| 06 | 56002770 | 18 | Mutter 1/2 - 13 | |
| 07 | 56002836 | 4 | NUT HEX NY LOC SS 10-24 | |
| 08 | 56002938 | 18 | WSH FLT SAE SS 5/16 | |
| 09 | 56003405 | 9 | Stopmutter M8 Inox | |
| 0A | 56505944 | 3 | Bürste, 15" Prolene | [4] |
| 0A | 56505940 | 3 | BRUSH PAD HOLDER 15 | [4] |
| 0A | 56505942 | 3 | BRUSH DYNAGRIT 15 | [4] |
| 0A | 56505946 | 3 | DISC BRUSH-15 UNION MIX 3 LUG | [4] |
| 0A | 56505948 | 3 | Bürste, 15" Mid Grit 180 | [5] |
| 0A | 56505941 | 3 | DISC BRUSH-15 MAGNAGRIT 3 LUG | [4] |
| 0A | 56505195 | 1 | Padverschluss m. Spange | [6] |
| 0A | 56505943 | 3 | BRUSH AGLITE 15 | [4] |
| 0A | 56505947 | 3 | DISC BRUSH-15 MIDGRIT 3 LUG | [4] |
| 0A | 56505945 | 3 | DISC BRUSH-15 PROLITE 3 LUG | [4] |
| 0B | 56505785 | 3 | Bürste PPN weich 430 mm | [4] |
| 0B | 56505781 | 3 | Bürste Magna Grit, hart 400 mm | [4] |
| 0B | 56505780 | 3 | Padhalter 430 mm | [4] |
| 0B | 56505783 | 3 | Bürste Aglite, weich 400 mm | [4] |
| 0B | 56505787 | 3 | Bürste Mid Grit 240, 430 mm | [4] |
| 0B | 56505788 | 3 | Bürste Mid Grit 180 | [5] |
| 0B | 56505195 | 1 | Padverschluss m. Spange | [7] |
| 0B | 56505784 | 3 | Bürste PPN hart 430 mm | [4] |
| 0B | 56505782 | 3 | Bürste Dyna Grit, mittel 400 mm | [4] |
| 0B | 56505786 | 3 | Bürste Union Mix 430 mm | [4] |
| 10 | 56009017 | 8 | WSH FLT HARDEN 516x938x75 | |
| 11 | 56009022 | 8 | Scheibe-U | |
| 12 | 56009030 | 6 | Schraube 10-2 | |
| 13 | 56009100 | 3 | SCR PANPHILT HD BLK 10-24 | |
| 14 | 56009060 | 3 | SCHEIBE-U | |
| 15 | 56112771 | 3 | CLAMP HOSE SAE 10 | |
| 16 | 56244969 | 2 | Schlauch-Bride | |
| 17 | 56305547 | 1 | PLUG PIPE E00040 | |
| 18 | 56305591 | 1 | HOSE SPIRAL .750 E00605 | |
| 19 | 56366455 | 3 | Platte zu BR 1000 | |
| 20 | 56367206 | 8 | BUCHSE | |
| 21 | 56407053 | 6 | Gummischeibe Bürstenantr.BR 800 S | [8] |
| 22 | 56314030 | 3 | Bürstenhalter BA 650 | |
| 23 | 56407303 | 2 | Rändelmutter | |
| 24 | 56412184 | 3 | "Nippel 1/2"" | |
| 25 | 56305545 | 1 | Bogen 90 Grad | |
| 26 | 56003131 | 4 | SCR HEX SS 10-24 X 2.50 | |
| 27 | 56003221 | 3 | SCR HEX LOC SS 1/4 20 X .75 | |
| 28 | 56003278 | 9 | SCR HEX LOC SS M8 1.25 X 30MM | |
| 29 | 56003639 | 9 | Schraube HEX SSM8-1,25x30 | |
| 30 | 56304077 | 3 | Flansch | |
| 31 | 56305467 | 4 | Schwenkarm CR 1200 | [9] |
| 32 | 56304586 | 8 | Lager 750x625x500 | |
| 33 | 56304601 | 2 | Platte | |
| 34 | 56304605 | 2 | Haltewinkel Bürstendeck | |
| 35 | 56304988 | 1 | Seitenspritzschutz kompl. rechts | |
| 36 | 56304998 | 1 | Seitenspritzschutz kompl. links | |
| 37 | 56305090 | 1 | MANIFOLD SOLUTION | |

| Pos. | Artikel-Nr. | Menge | Variante | Notes |
|------|-------------|-------|----------------------|-------|
| 38 | 56305258 | 4 | MOUNTING LUGS | |
| 39 | 56305345 | 3 | Verschluss | [2] |
| 39 | 56305861 | 3 | HOSE PUSH LOCK 17.5 | [3] |
| 40 | 56305543 | 1 | Bürstensperre rechts | |
| 41 | 56305515 | 2 | Bürstensperre links | |
| 42 | 56369004 | 3 | Hülse | |
| 43 | 56305464 | 1 | PLUG PIPE E00040 | |

Part Notes:

- [1] - Not shown
- [2] - CR 1200 models
- [3] - CR 1100 models
- [4] - Optional
- [5] - STD - Optional
- [6] - for 56505940 - Not shown
- [7] - for 56505780 - Not shown
- [8] - EXPIRED USE 56383238
- [9] - EXPIRED USE 56111931



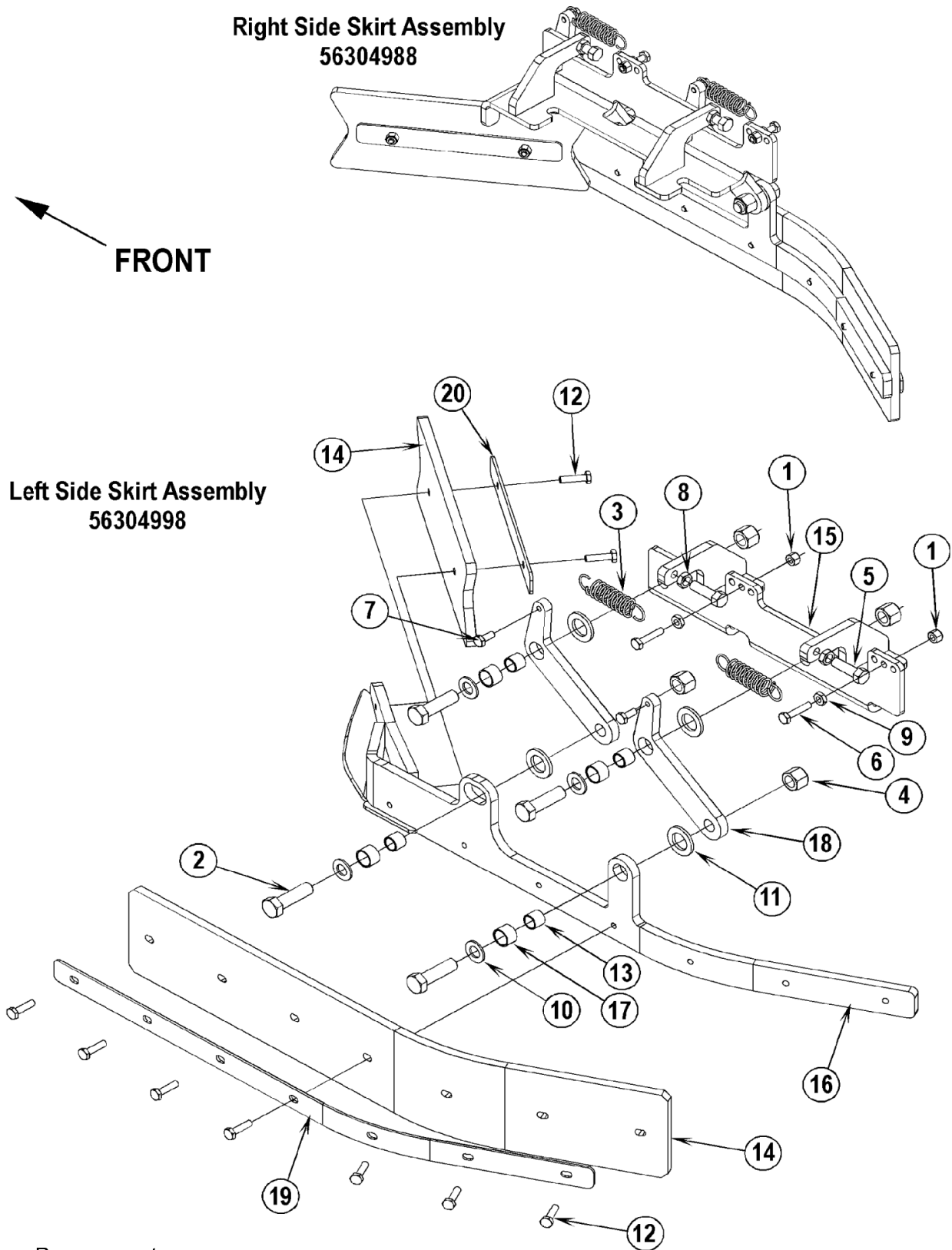
Resource notes:

NOTE: See Hydraulic System Parts List form number 56042519 for hydraulic motor assemblies. Pos A = CR 1400 SCRUB BRUSHES

| Pos. | Artikel-Nr. | Menge | Variante | Notes |
|------|-------------|-------|--------------------------------------|-------|
| 01 | 56003405 | 12 | Stopmutter M8 Inox | |
| 02 | 56360627 | 2 | Büchse | |
| 03 | 56366455 | 4 | Platte zu BR 1000 | |
| 04 | 56367117 | 2 | Scheibe Stahl | |
| 05 | 56367206 | 8 | BUCHSE | |
| 06 | 56369004 | 4 | Hülse | |
| 07 | 56407053 | 8 | Gummischeibe Bürstenantr.BR 800 S | [1] |
| 08 | 56407303 | 2 | Rändelmutter | |
| 09 | 56001834 | 4 | Schraube 5/16-18 x 1,25 | |
| 0A | 56505195 | 1 | Padverschluss m. Spange | [2] |
| 0A | 56505806 | 3 | Bürste Union Mix | [3] |
| 0A | 56505802 | 3 | Bürste Sica mittel, Dyna Grit 360 mm | [3] |
| 0A | 56505804 | 3 | Bürste Prolene 14" | [3] |
| 0A | 56505808 | 3 | Bürste Sica, Grit 180 | [3] |
| 0A | 56505800 | 3 | Padhalter 14" | [3] |
| 0A | 56505803 | 3 | Bürste Sica weich 14" | [3] |
| 0A | 56505801 | 3 | Bürste Sica hart, Magna Grit 46 | [3] |
| 0A | 56505805 | 3 | Bürste PPN weich Prolite | [3] |
| 0A | 56505807 | 3 | Bürste Sica weich, Grit 240 | [3] |
| 10 | 56001879 | 1 | U-SCHEIBEN | |
| 11 | 56001920 | 1 | Schraube | |
| 12 | 56001968 | 8 | Schraube | |
| 13 | 56001995 | 14 | Schraube 1/2-13 x 1.75 | |
| 14 | 56002701 | 4 | MUTTER 5-16-18 HEX JAM | |
| 15 | 56002770 | 23 | Mutter 1/2 - 13 | |
| 16 | 56002938 | 24 | WSH FLT SAE SS 5/16 | |
| 17 | 56003221 | 4 | SCR HEX LOC SS 1/4 20 X .75 | |
| 18 | 56003278 | 12 | SCR HEX LOC SS M8 1.25 X 30MM | |
| 19 | 56003335 | 2 | Schraube HEX | |
| 20 | 56003639 | 12 | Schraube HEX SSM8-1,25x30 | |
| 21 | 56003680 | 2 | Ring | |
| 22 | 56009017 | 10 | WSH FLT HARDEN 516x938x75 | |
| 23 | 56009022 | 8 | Scheibe-U | |
| 24 | 56009030 | 8 | Schraube 10-2 | |
| 25 | 56009100 | 4 | SCR PANPHILT HD BLK 10-24 | |
| 26 | 56009060 | 4 | SCHEIBE-U | |
| 27 | 56112771 | 4 | CLAMP HOSE SAE 10 | |
| 28 | 56244969 | 4 | Schlauch-Bride | |
| 29 | 56304077 | 4 | Flansch | |
| 30 | 56304586 | 8 | Lager 750x625x500 | |
| 31 | 56304605 | 2 | Haltewinkel Bürstendeck | |
| 32 | 56304988 | 1 | Seitenspritzschutz kompl. rechts | |
| 33 | 56304998 | 1 | Seitenspritzschutz kompl. links | |
| 34 | 56305258 | 4 | MOUNTING LUGS | |
| 35 | 56305467 | 4 | Schwenkarm CR 1200 | [4] |
| 36 | 56305515 | 2 | Bürstensperre links | |
| 37 | 56305543 | 2 | Bürstensperre rechts | |
| 38 | 56305552 | 2 | Lager | |
| 39 | 56305553 | 2 | Lager .719 x .625 x .375 | |
| 40 | 56305760 | 2 | TEE BARB 3/4 X 1/2 X 1/2 | |
| 41 | 56305763 | 4 | HOSE PUSH LOCK | |
| 42 | 56305773 | 1 | PUSH DECK WELDMENT PTD | |
| 43 | 56305774 | 1 | DECK WELDMENT RIGHT 5400 PTD | |
| 44 | 56305775 | 1 | DECK WELDMENT LEFT 5400 PTD | |
| 45 | 56314030 | 4 | Bürstenhalter BA 650 | |
| 46 | 56392193 | 1 | Spiralschlauch zu BA 800 | |
| 47 | 56459674 | 1 | HOSE SPIRAL E00605 | |

Part Notes:

- [1] - EXPIRED USE 56383238
- [2] - for 56505800 - Optional
- [3] - Optional
- [4] - EXPIRED USE 56111931



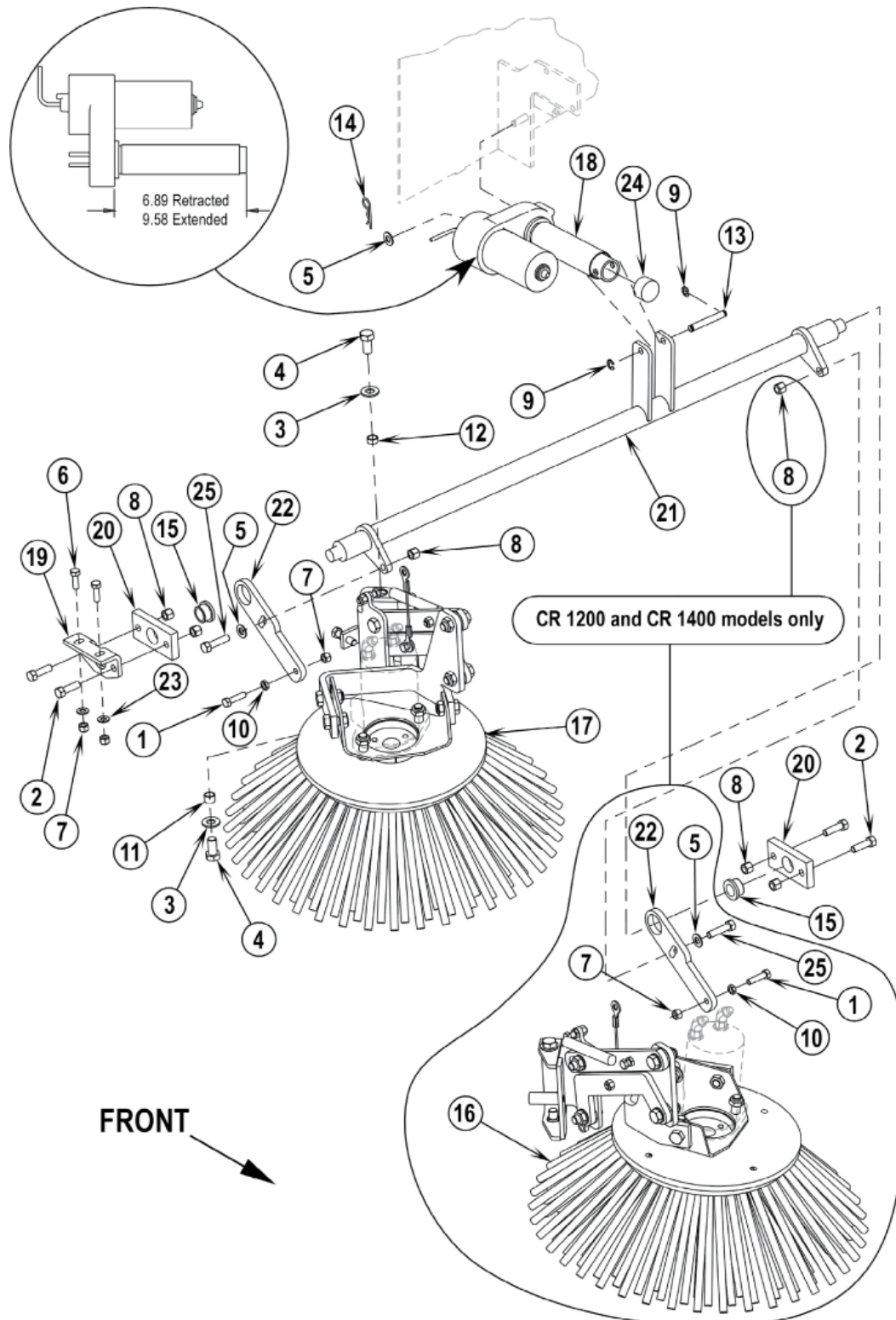
Resource notes:

- NOTE 1: All quantities are for ONE side skirt assembly only. There are two side skirt assemblies on the machine.
- NOTE 2: Side Blade Kits contain ALL skirts needed for BOTH side skirt assemblies.

| Pos. | Artikel-Nr. | Menge | Variante | Notes |
|------|-------------|-------|----------------------------------|-------|
| | 56304988 | 1 | Seitenspritzschutz kompl. rechts | |
| | 56304998 | 1 | Seitenspritzschutz kompl. links | |
| 00 | 56305685 | 1 | Seitenschürzenset, Neopren | [1] |
| 01 | 56002491 | 2 | Stopmutter 1/4-20 | |
| 02 | 56001995 | 4 | Schraube 1/2-13 x 1.75 | |
| 03 | 56305253 | 2 | Spring, Extension | |
| 04 | 56002770 | 4 | Mutter 1/2 - 13 | |
| 05 | 56001858 | 2 | SCR HEX 3/8 16 X 1.25 | |
| 06 | 56002901 | 2 | SCHRAUBE 1/4-20X 1-1/2SS | |
| 07 | 56002922 | 2 | SCR HEX LOC 1/4-20 X .62 | |
| 08 | 56002769 | 2 | Stopmutter 3/8-16 | |
| 09 | 56003145 | 2 | Nut 1/4 20 | |
| 10 | 56009017 | 4 | WSH FLT HARDEN 516x938x75 | |
| 11 | 56009022 | 4 | Scheibe-U | |
| 12 | 56009054 | 9 | Schraube 1/4 - 20x1 | |
| 13 | 56367206 | 4 | BUCHSE | |
| 14 | 56305697 | 1 | Seiten Gummi-Set, rot | [2] |
| 15 | 56305880 | 1 | MOUNT SIDE SKIRT SQUEEGEE WLMT | [3] |
| 15 | 56305879 | 1 | MOUNT SIDE SKIRT SQUEEGEE WLMT | |
| 16 | 56304989 | 1 | Seitenschutz rechts | [3] |
| 16 | 56304999 | 1 | Halterung f. Seiten- | |
| 17 | 56304586 | 4 | Lager 750x625x500 | |
| 18 | 56304993 | 2 | Hebel | |
| 19 | 56304994 | 1 | Halter für Seitengummi | |
| 20 | 56304995 | 1 | Befestigungsschiene f. | |

Part Notes:

- [1] - NOTE 2 - Optional
 [2] - NOTE 2
 [3] - Not Shown



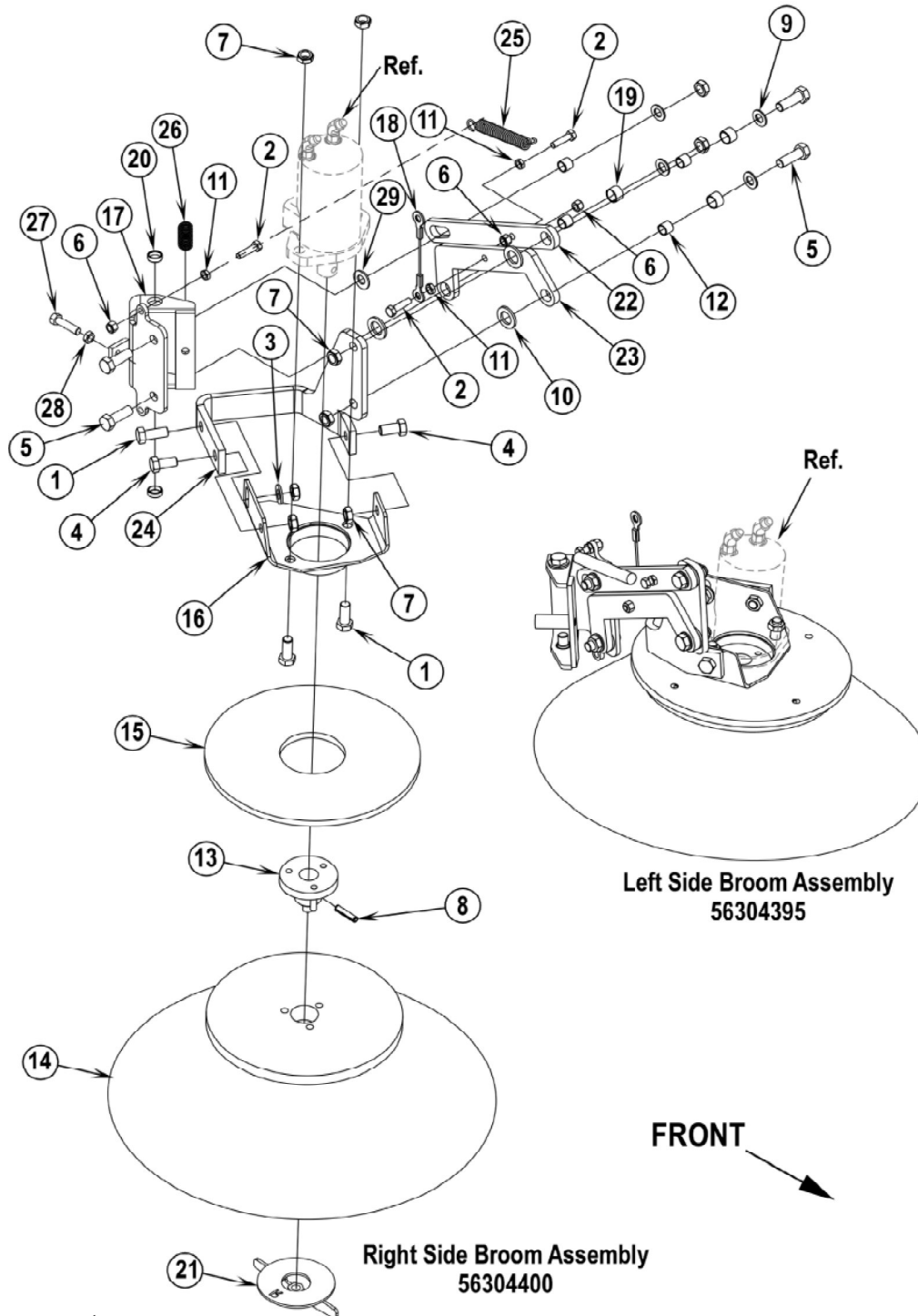
Resource notes:

NOTE 1: The design of this part changed. It is a direct replacement for the previous design except that it requires item 25 and item 5. It should be replaced in a matched pair on CR 1200 and CR 1400 models.

| Pos. | Artikel-Nr. | Menge | Variante | Notes |
|------|-------------|-------|---------------------------|-------|
| 01 | 56001834 | 2 | Schraube 5/16-18 x 1,25 | |
| 02 | 56002095 | 4 | Schraube 3/8-16 X 1.50 | [1] |
| 03 | 56001879 | 4 | U-SCHEIBEN | |
| 04 | 56001895 | 4 | SCR HEX HD 1/2-13 X 1.00 | |
| 05 | 56002063 | 3 | "U-Scheibe 3/8"" | |
| 06 | 56002221 | 2 | SCR HEX HD 5/16-18 X 1.00 | |
| 07 | 56002701 | 4 | MUTTER 5-16-18 HEX JAM | |
| 08 | 56002769 | 6 | Stopmutter 3/8-16 | |
| 09 | 56003262 | 2 | Ring | |
| 10 | 56009086 | 2 | NUT, HEX JAM 5/16-18 | |
| 11 | 56360627 | 2 | Büchse | |
| 12 | 56365030 | 2 | BUSHING CA334D | |
| 13 | 56412088 | 1 | Bolzen zu BR 700 | |
| 14 | 56003120 | 1 | Vorstecker | |
| 15 | 56303071 | 2 | Hülse | |
| 16 | 56304395 | 1 | Seitenbesen links, kpl. | |
| 17 | 56304400 | 1 | Seitenbesen rechts | |
| 18 | 56305008 | 1 | Stellmotor CR 1400 | [2] |
| 19 | 56305080 | 1 | Platte | |
| 20 | 56305091 | 2 | Platte | |
| 21 | 56305442 | 1 | LIFTER SHAFT WELDMENT | |
| 22 | 56305470 | 2 | ARM SIDE BROOM LIFT | [3] |
| 23 | 56001939 | 2 | Flachdichtung 5/16 | |
| 24 | 56305798 | 1 | Schaumstoffdichtung | |
| 25 | 56002095 | 2 | Schraube 3/8-16 X 1.50 | [1] |

Part Notes:

- [1] - EXPIRED USE 56002747
 [2] - M4
 [3] - NOTE 1



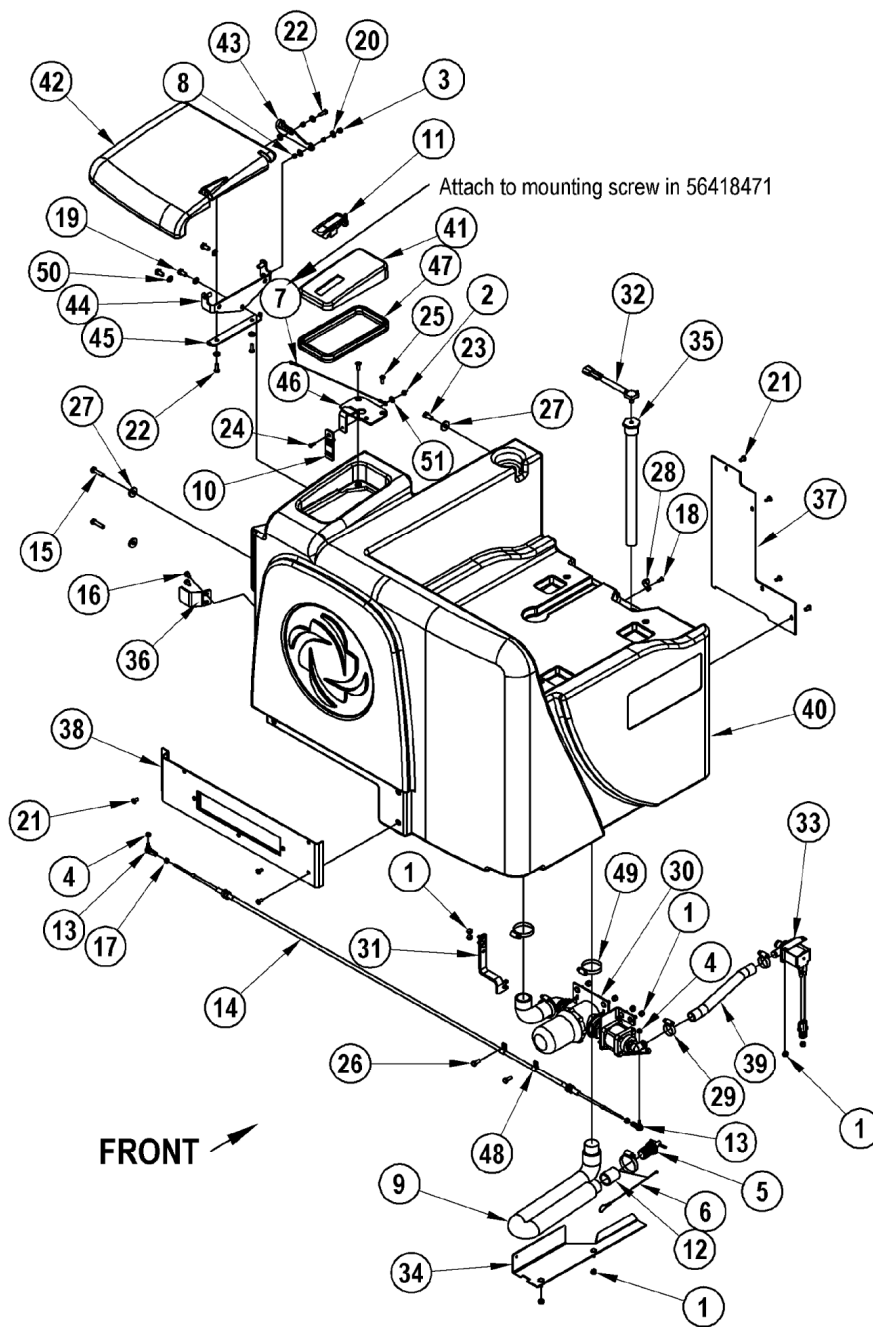
Resource notes:

NOTE: All quantities are for ONE side broom assembly only. There are two side broom assemblies on CR 1200 and CR 1400 models. NOTE 2: These side broom assembly part numbers do not include the motor. Hydraulic motor must be ordered separately, see Hydraulic System Parts List.

| Pos. | Artikel-Nr. | Menge | Variante | Notes |
|------|-------------|-------|------------------------------|-------|
| 00 | 56304400 | 1 | Seitenbesen rechts | [1] |
| 00 | 56304395 | 1 | Seitenbesen links, kpl. | [1] |
| 01 | 56001831 | 3 | Schraube 1/2-13X1.25 | |
| 02 | 56001834 | 3 | Schraube 5/16-18 x 1,25 | |
| 03 | 56001879 | 1 | U-SCHEIBEN | |
| 04 | 56001895 | 2 | SCR HEX HD 1/2-13 X 1.00 | |
| 05 | 56001968 | 4 | Schraube | |
| 06 | 56002701 | 3 | MUTTER 5-16-18 HEX JAM | |
| 07 | 56002843 | 9 | NUT HEX NYL LOC-THIN1/2-1 | |
| 08 | 56003494 | 1 | Spannstift | |
| 09 | 56009017 | 4 | WSH FLT HARDEN 516x938x75 | |
| 10 | 56009022 | 3 | Scheibe-U | |
| 11 | 56009086 | 3 | NUT, HEX JAM 5/16-18 | |
| 12 | 56367206 | 4 | BUCHSE | |
| 13 | 56418543 | 1 | Seitenbesenflansch | |
| 13 | 56305723 | 1 | Aufnahme f. Seitenbesen | |
| 14 | 56462252 | 1 | Seitenbesen PP | |
| 15 | 56304038 | 1 | Abdeckung f. Seitenbesen | |
| 16 | 56304039 | 1 | MOTOR BRACKET WELDMENT | [2] |
| 16 | 56111966 | 1 | LEFT SIDE BROOM BRKT WELDT | [3] |
| 17 | 56304052 | 1 | Schanier für Seitenbesen | |
| 18 | 56304126 | 1 | CABLE ASSEMBLY | |
| 19 | 56304586 | 3 | Lager 750x625x500 | |
| 20 | 56304893 | 2 | Kunststoffbuchse | |
| 21 | 56305731 | 1 | Befestigungsmutter f. | |
| 21 | 56305725 | 1 | Mutter | |
| 22 | 56305460 | 1 | Halter | |
| 23 | 56305462 | 1 | ARM SIDE BROOM LOWER | [4] |
| 24 | 56305463 | 1 | BRACKET SIDE BROOM | [5] |
| 24 | 56305461 | 1 | BRACKET LEFT SIDE BROOM | [6] |
| 25 | 56448112 | 1 | SPRING EXTENSION | |
| 26 | 56761327 | 1 | Federsatz Kompl. | |
| 27 | 56002747 | 1 | SCR HEX THD/HD 3/8-16 X 1.50 | |
| 28 | 56002769 | 1 | Stopmutter 3/8-16 | |
| 29 | 56002022 | 1 | U-Scheibe | |

Part Notes:

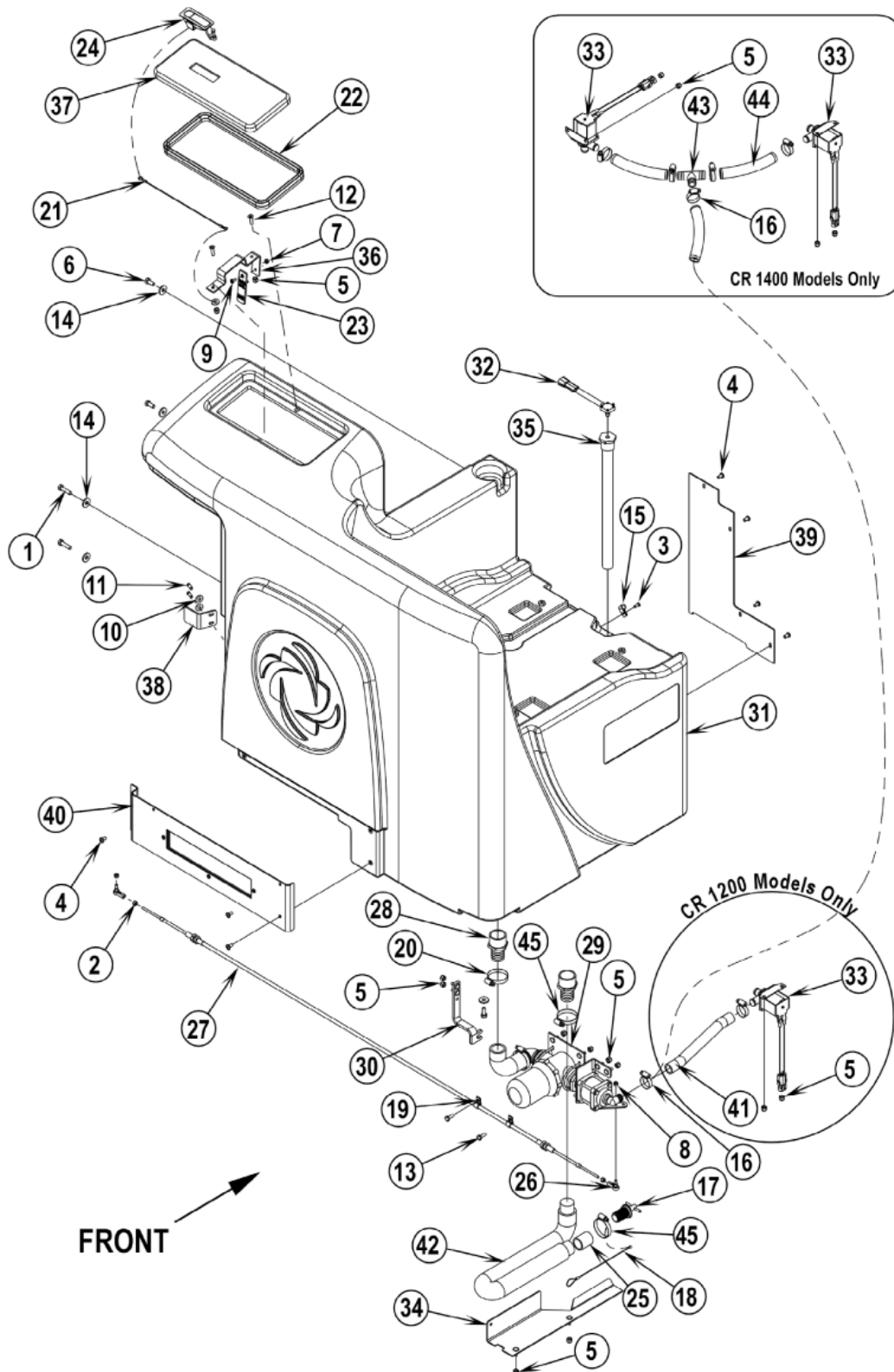
- [1] - NOTE 2
- [2] - EXPIRED USE 56111960
- [3] - Not Shown
- [4] - EXPIRED USE 56111964
- [5] - EXPIRED USE 56111965
- [6] - Not Shown
EXPIRED USE 56111963



| Pos. | Artikel-Nr. | Menge | Variante | Notes |
|------|-------------|-------|------------------------------|-------|
| 01 | 56002491 | 10 | Stopmutter 1/4-20 | |
| 02 | 56002836 | 1 | NUT HEX NY LOC SS 10-24 | |
| 03 | 56002840 | 1 | Nut 1/4 20 | |
| 04 | 56002873 | 2 | Mutter HEX NYL LOC 10-32 | |
| 05 | 56260098 | 1 | ZAPFEN | |
| 06 | 56261378 | 1 | Drahtseil | |
| 07 | 56330391 | 1 | Drahtseil zu BR700 | |
| 08 | 56379298 | 3 | Büchse .25x.37x.21CR211H | |
| 09 | 56386035 | 1 | Hose flex | |
| 10 | 56412309 | 1 | Füllstandsanzeige | |
| 11 | 56418471 | 1 | Verschluss zu CR 1300 | |
| 12 | 56459433 | 1 | Sleeve Hose End | |
| 13 | 56488290 | 2 | ROD END | |
| 14 | 56488292 | 1 | KABEL | |
| 15 | 56001834 | 2 | Schraube 5/16-18 x 1,25 | |
| 16 | 56001854 | 2 | SCHRAUBE HEX HD1/4-20X.50 | |
| 17 | 56003053 | 2 | NUT, GREER #10-32 | |
| 18 | 56001993 | 1 | SCR PAN HD PHIL 10-24X.50 | |
| 19 | 56002035 | 3 | 002721X HD 5/16-18X.62 | |
| 20 | 56002098 | 4 | Scheibe | |
| 21 | 56002145 | 7 | Schraube 1/4 20x .50 | |
| 22 | 56002155 | 3 | SCR HEX 1/4-20 X .75 | |
| 23 | 56002667 | 1 | Schraube 5/16-18 X.75 | |
| 24 | 56002896 | 1 | Schraube SS10-24X0 | |
| 25 | 56002969 | 2 | SCR FLT PHIL SS 1/4-20 X .75 | |
| 26 | 56009018 | 2 | SCHRAUBE 1/4-20X3/4 HP5 | |
| 27 | 56009057 | 3 | WSHFLT HARD.344x1.000x | |
| 28 | 56172017 | 1 | P-CLIP E00129 | |
| 29 | 56244969 | 2 | Schlauch-Bride | |
| 30 | 56304272 | 1 | Filter zu CR 1200 B | |
| 31 | 56304681 | 1 | BRACKET CABLE | |
| 32 | 56305032 | 1 | Füllstandssensor f. | |
| 33 | 56305103 | 1 | SOLENOID VALVE ASSEMBLY | |
| 34 | 56305195 | 1 | BRACKET SOLUTION DRAIN | |
| 35 | 56305205 | 1 | Rohrleitung | |
| 36 | 56305226 | 1 | TAB DOOR | |
| 37 | 56305227 | 1 | COVER | |
| 38 | 56305243 | 1 | Abdeckungskit, hinten | |
| 39 | 56392833 | 1 | Schlauch Spiral | |
| 40 | 56305514 | 1 | TANK SOLUTION 60 GAL | [1] |
| 41 | 56305522 | 1 | COVER SOLUTION TANK 60 GAL | |
| 42 | 56305666 | 1 | CORNER COVER | |
| 43 | 56305782 | 1 | LID PROP | |
| 44 | 56305785 | 1 | HINGE WELDMENT | |
| 45 | 56305786 | 1 | RETAINER | |
| 46 | 56305802 | 1 | PLATE FILL VALVE | |
| 47 | 56305812 | 1 | Dichtung | |
| 48 | 56323260 | 2 | Kabelbriede zu BR 1000 | |
| 49 | 56329145 | 3 | BRIEDE | |
| 50 | 56001939 | 3 | Flachdichtung 5/16 | |
| 51 | 56002916 | 1 | WSH FLT SAE SS #10 | |

Part Notes:

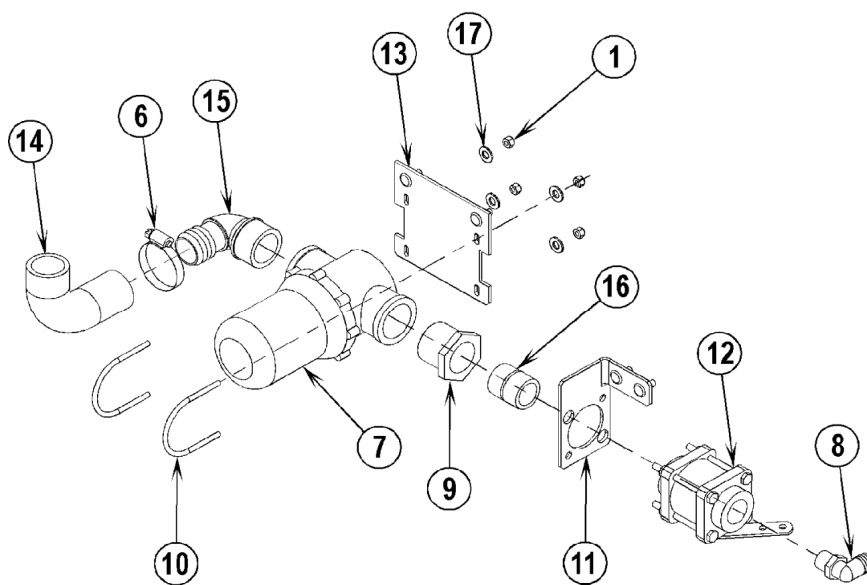
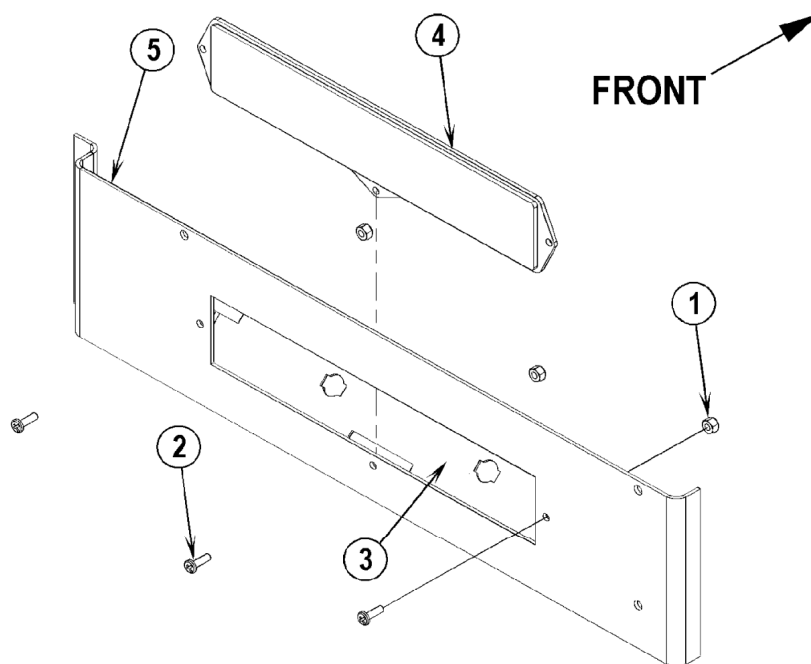
[1] - NO LONGER AVAILABLE



| Pos. | Artikel-Nr. | Menge | Variante | Notes |
|------|-------------|-------|---------------------------|-------|
| 01 | 56001834 | 2 | Schraube 5/16-18 x 1,25 | |
| 02 | 56003053 | 2 | NUT, GREER #10-32 | |
| 03 | 56001993 | 1 | SCR PAN HD PHIL 10-24X.50 | |
| 04 | 56002145 | 7 | Schraube 1/4 20x .50 | |
| 05 | 56002491 | 14 | Stopmutter 1/4-20 | [1] |
| 06 | 56002667 | 2 | Schraube 5/16-18 X.75 | |
| 07 | 56002849 | 1 | NUT HEX NYL LOC-THIN SS10 | |
| 08 | 56002873 | 2 | Mutter HEX NYL LOC 10-32 | |
| 09 | 56002900 | 1 | Schraube PAN PHIL 10-25x. | |
| 10 | 56002914 | 3 | WSH FLT STD SS 1/4 | |
| 11 | 56003047 | 2 | SCR HEX SS 1/4-20 X .62 | |
| 12 | 56003074 | 2 | Schraube FLT PHIL SS | |
| 13 | 56009018 | 2 | SCHRAUBE 1/4-20X3/4 HP5 | |
| 14 | 56009122 | 4 | Unterlegscheibe | |
| 15 | 56172017 | 1 | P-CLIP E00129 | |
| 16 | 56244969 | 6 | Schlauch-Bride | [1] |
| 17 | 56260098 | 1 | ZAPFEN | |
| 18 | 56261378 | 1 | Drahtseil | |
| 19 | 56323260 | 2 | Kabelbride zu BR 1000 | |
| 20 | 56329145 | 3 | BRIEDE | |
| 21 | 56330391 | 1 | Drahtseil zu BR700 | |
| 22 | 56407282 | 1 | Dichtung | |
| 23 | 56412309 | 1 | Füllstandsanzeige | |
| 24 | 56418471 | 1 | Verschluss zu CR 1300 | |
| 25 | 56459433 | 1 | Sleeve Hose End | |
| 26 | 56488290 | 2 | ROD END | |
| 27 | 56488292 | 1 | KABEL | |
| 28 | 56900910 | 2 | Reduzierung | [2] |
| 30 | 56304681 | 1 | BRACKET CABLE | |
| 31 | 56304834 | 1 | TANK SOLUTION | |
| 32 | 56305032 | 1 | Füllstandssensor f. | |
| 33 | 56305103 | 2 | SOLENOID VALVE ASSEMBLY | [1] |
| 34 | 56305195 | 1 | BRACKET SOLUTION DRAIN | |
| 35 | 56305205 | 1 | Rohrleitung | |
| 36 | 56305206 | 1 | PLATE LATCH | |
| 37 | 56305209 | 1 | COVER SOLUTION TANK | |
| 38 | 56305226 | 1 | TAB DOOR | |
| 39 | 56305227 | 1 | COVER | |
| 40 | 56305243 | 1 | Abdeckungskit, hinten | |
| 41 | 56392833 | 1 | Schlauch Spiral | [3] |
| 42 | 56305602 | 1 | Schlauch flex | |
| 43 | 56305761 | 1 | TEE BARB 3/4 | [4] |
| 44 | 56305762 | 3 | Schlauch | [4] |
| 45 | 56131601 | 2 | CLAMP HOSE SAE 16 _E00047 | |

Part Notes:

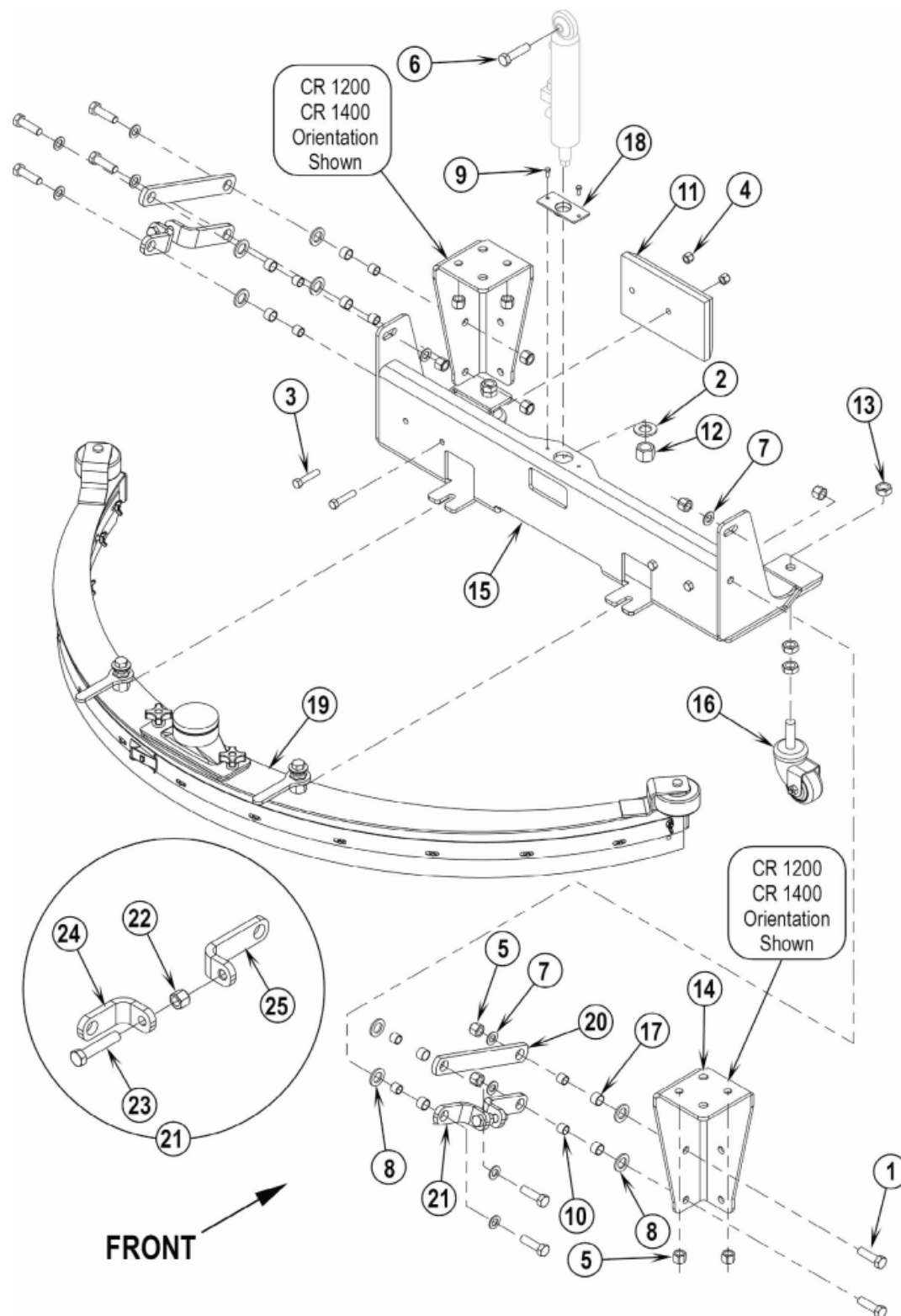
- [1] - CR 1200 and 1400 models
- [2] - Only used before October 2003
- [3] - CR 1200 models
- [4] - CR 1400 models



| Pos. | Artikel-Nr. | Menge | Variante | Notes |
|------|-------------|-------|---------------------------|-------|
| 00 | 56305243 | 1 | Abdeckungskit, hinten | [1] |
| 00 | 56304272 | 1 | Filter zu CR 1200 B | [2] |
| 01 | 56002832 | 7 | 6-Kt Mutter Nylon | |
| 02 | 56009100 | 3 | SCR PANPHILT HD BLK 10-24 | |
| 03 | 56016097 | 1 | Reflektor | |
| 04 | 56416418 | 1 | LENS TAIL LIGHT | |
| 05 | 56304706 | 1 | DOOR WELDMENT REAR | |
| 06 | 56329145 | 1 | BRIEDE | |
| 07 | 56456241 | 1 | Filtergehäuse | |
| 07 | 56455838 | 1 | Nylon Sieb | [3] |
| 08 | 56456802 | 1 | Winkelracor | |
| 09 | 56459825 | 1 | Reduzierung | |
| 10 | 56459830 | 2 | U-BOLT | |
| 11 | 56304260 | 1 | BRACKET | |
| 12 | 56304275 | 1 | Ventil m. Griff | |
| 13 | 56305114 | 1 | BRACKET FILTER | |
| 14 | 56305319 | 1 | Kühlerschlauch | |
| 15 | 56900913 | 1 | Winkelanschluß 1 1/4 | |
| 16 | 56900914 | 1 | Nippel | |
| 17 | 56001954 | 4 | WSH FLT SAE 10 | |

Part Notes:

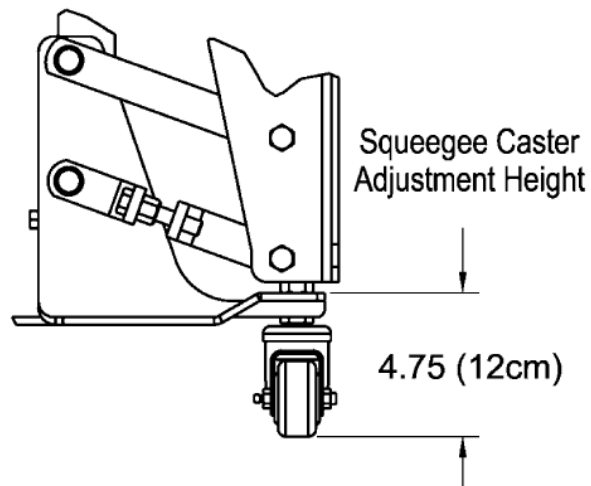
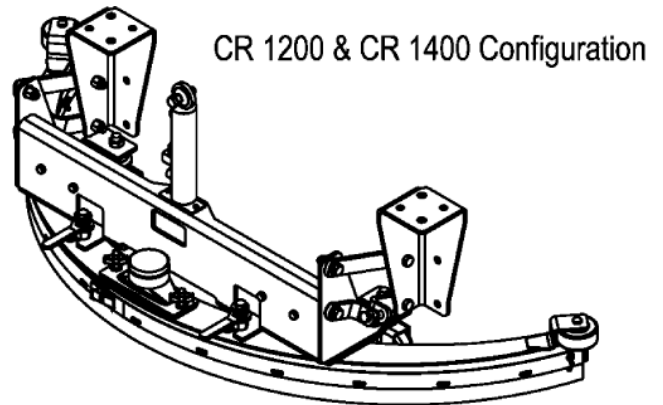
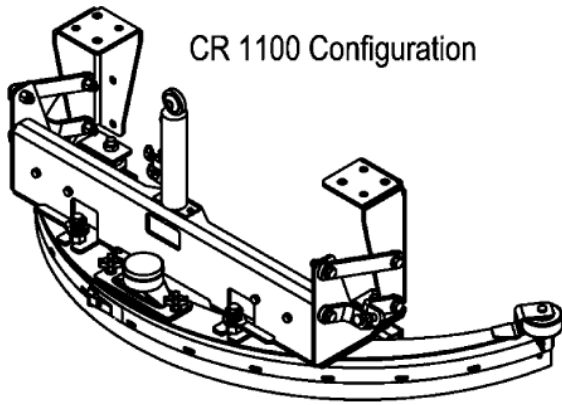
- [1] - 1-5
 [2] - 1 and 6-17
 [3] - Not Shown



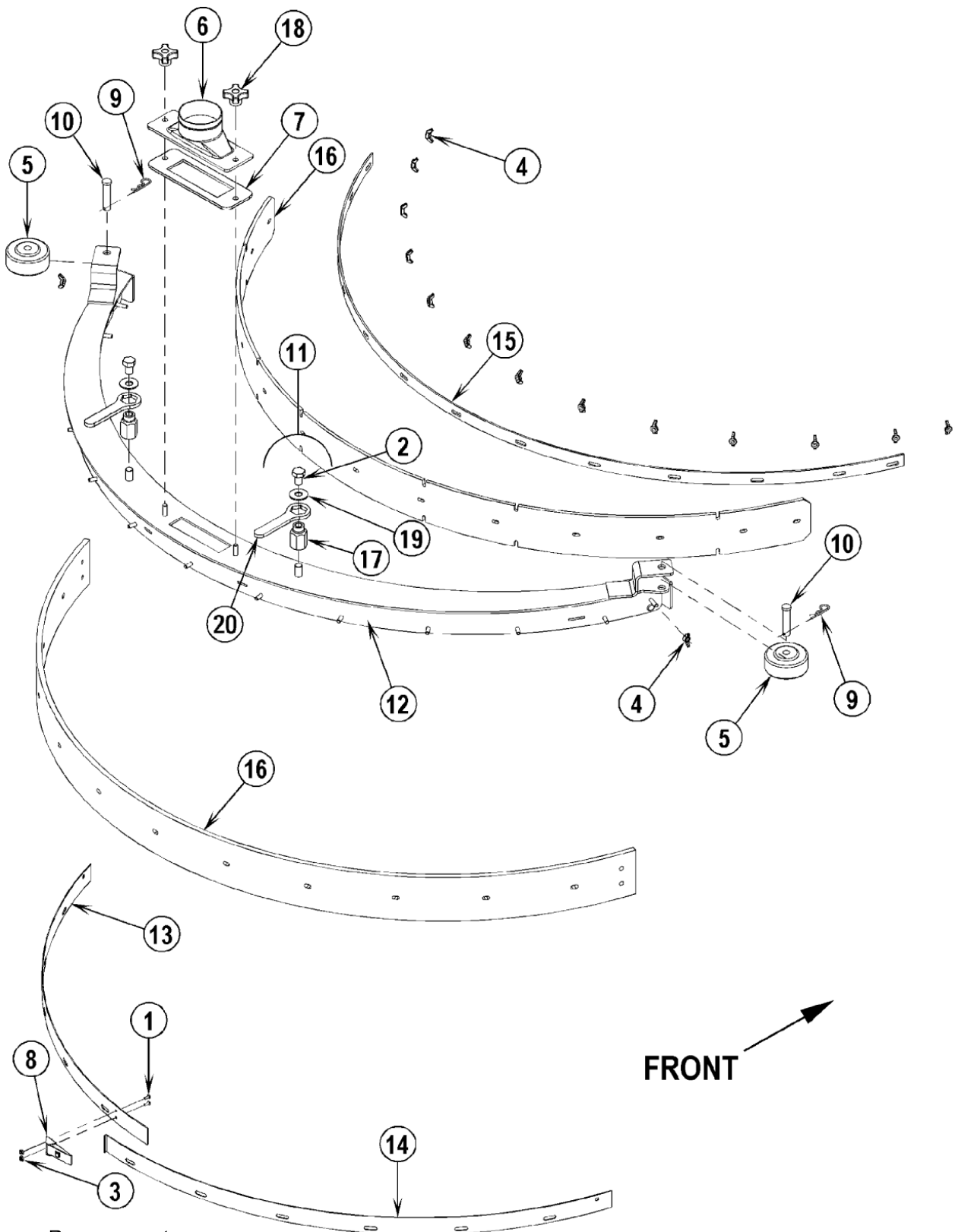
| Pos. | Artikel-Nr. | Menge | Variante | Notes |
|------|-------------|-------|--------------------------------|-------|
| 01 | 56001995 | 8 | Schraube 1/2-13 x 1.75 | |
| 02 | 56002141 | 1 | WSH FLT SAE 3/4 | |
| 03 | 56002684 | 4 | SCR HEX HD 3/8-16x1,75 | |
| 04 | 56002769 | 4 | Stopmutter 3/8-16 | |
| 05 | 56002770 | 12 | Mutter 1/2 - 13 | |
| 06 | 56002983 | 1 | SCR HEX 1/2-13x2.00 | |
| 07 | 56009017 | 10 | WSH FLT HARDEN 516x938x75 | |
| 08 | 56009022 | 8 | Scheibe-U | |
| 09 | 56009039 | 2 | SCHRAUBE 1/4-20X1-1/2 | |
| 10 | 56367206 | 8 | BUCHSE | |
| 11 | 56453907 | 2 | WEIGHT CASTING | |
| 12 | 56003212 | 1 | Mutter HEX NYL LOC SS 3/4 | |
| 13 | 56003272 | 6 | Mutter 5/8-11 | |
| 14 | 56304157 | 2 | Halter CR 1200 | |
| 15 | 56304172 | 1 | Saugfusshalter | |
| 16 | 56304266 | 2 | Stützrolle CR 1400 | |
| 17 | 56304586 | 8 | Lager 750x625x500 | |
| 18 | 56304590 | 1 | Platte | |
| 19 | 56304944 | 1 | Absaugleiste f. CR1100 | [1] |
| 19 | 56305117 | 1 | Absaugleiste f. CR1400 | [2] |
| 19 | 56304954 | 1 | Saugleiste | [3] |
| 20 | 56305467 | 2 | Schwenkarm CR 1200 | [4] |
| 21 | 56305610 | 2 | Saugfussarm CR 1400 | [5] |
| 22 | 56002773 | 2 | MUTTER 1/2-20 | |
| 23 | 56003672 | 2 | SCR THD TO HD 1/2-20X2.50 GR 8 | |
| 24 | 56305608 | 2 | Halterung, justierbar | |
| 25 | 56305609 | 2 | Halterung | |

Part Notes:

- [1] - CR 1100
- [2] - CR 1400
- [3] - CR 1200
- [4] - EXPIRED USE 56111931
- [5] - 22-25



| Pos. | Artikel-Nr. | Menge | Variante | Notes |
|------|-------------|-------|----------|-------|
|------|-------------|-------|----------|-------|



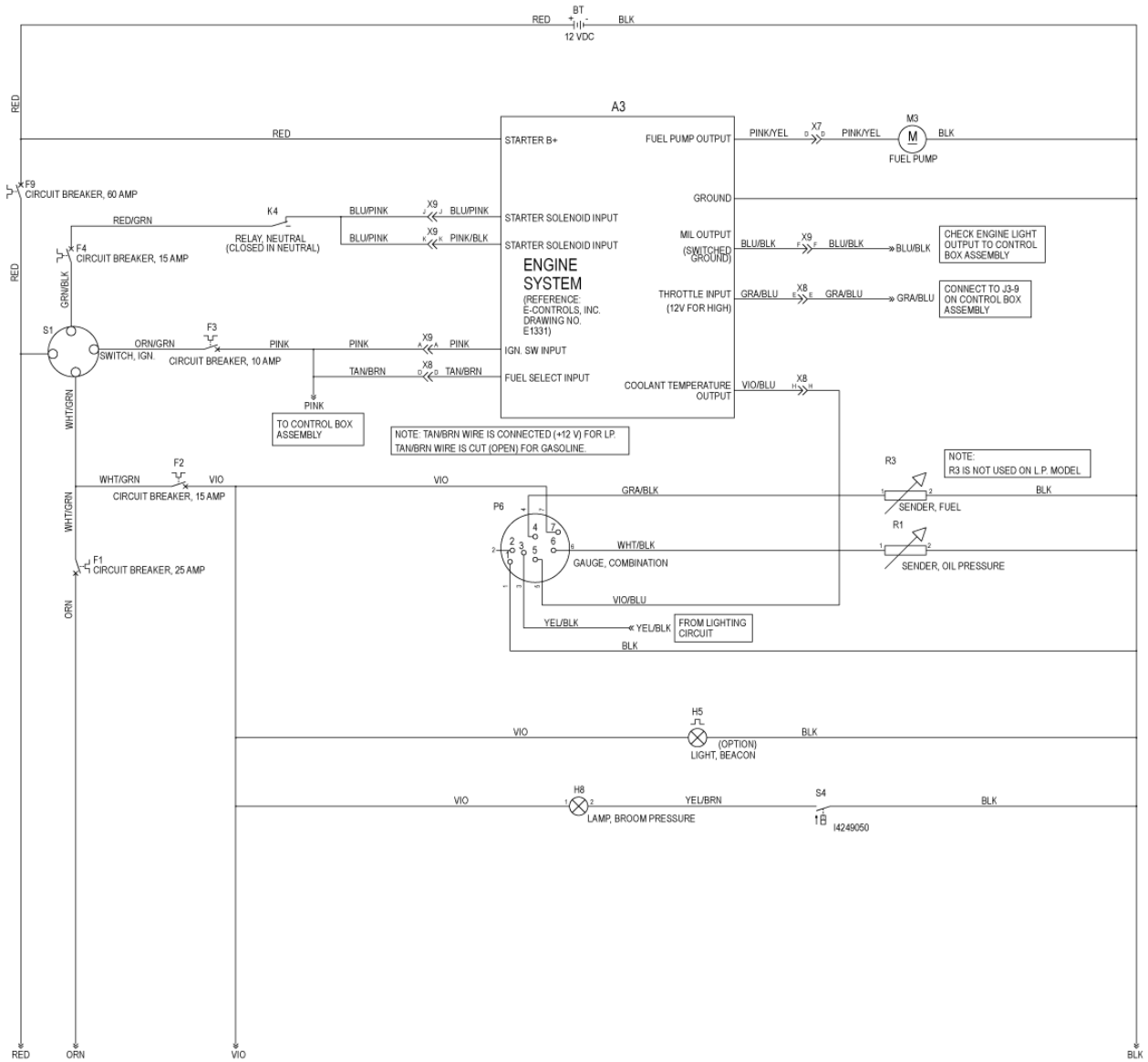
Resource notes:

NOTE 1: All squeegee blade kits include both front and rear squeegee blades.

| Pos. | Artikel-Nr. | Menge | Variante | Notes |
|------|-------------|-------|--|-------|
| 00 | 56305682 | 1 | BLADE KIT-SQUEEGEE NEO 48 | [1] |
| 00 | 56307180 | 1 | POLYURET SQUEEGEE BLADE 43 KIT | [2] |
| 00 | 56304944 | 1 | Absaugleiste f. CR1100 | [3] |
| 00 | 56307186 | 1 | Absaugleisten-Set PU | [4] |
| 00 | 56305117 | 1 | Absaugleiste f. CR1400 | [5] |
| 00 | 56304954 | 1 | Saugleiste | [6] |
| 00 | 56307183 | 1 | Absaugleisten-Set PU | [1] |
| 00 | 56305693 | 1 | Absaugleisten-Set, Neopren | [2] |
| 00 | 56305694 | 1 | Absaugleisten-Set, Neopren | [4] |
| 01 | 56002909 | 2 | SCR PAN PHL SS6-32X38 | |
| 02 | 56003032 | 2 | Schraube 13x.75 | |
| 03 | 56002964 | 2 | NUT HEX NYL LOC THINSS6-32 | |
| 04 | 56009048 | 15 | FLUEGELMUTTER 1/4-20Ersetzt durch: 56003 | |
| 05 | 56386127 | 2 | Rad | |
| 06 | 56305373 | 1 | Stutzen Saugbalken CR1400 | |
| 07 | 56459281 | 1 | Dichtung zu 2052G | |
| 08 | 56471194 | 1 | Klemme | |
| 09 | 56003120 | 2 | Vorstecker | |
| 10 | 56003620 | 2 | Bolzen | |
| 11 | 56305616 | 2 | Halterung | [7] |
| 12 | 56304937 | 1 | 43 SQUEEGEE WELDMENT | [3] |
| 12 | 56305118 | 1 | WELDMENT 54 SQUEEGEE | [5] |
| 12 | 56304953 | 1 | Halterung f. Absaugleiste | [6] |
| 13 | 56304962 | 1 | Metallschiene, links | [6] |
| 13 | 56305123 | 1 | STRAP 54 REAR LEFT BLADE | [5] |
| 13 | 56305808 | 1 | Halteband 43" f. Lasche | [3] |
| 14 | 56305124 | 1 | STRAP 54 REAR RIGHT BLADE | [5] |
| 14 | 56305807 | 1 | Halteband 43" f. Lasche | [3] |
| 14 | 56304963 | 1 | Metallschiene, rechts f. | [6] |
| 15 | 56305125 | 1 | STRAP FRONT BLADE | [5] |
| 15 | 56304964 | 1 | Halteband f. Absaugleiste | [6] |
| 15 | 56305806 | 1 | STRAP FRONT BLADE | [3] |
| 16 | 56305695 | 1 | Absaugleisten-Set, Gummi, rot | [3] |
| 16 | 56305686 | 1 | Absaugleisten-Set, Gummi, rot | [6] |
| 16 | 56305696 | 1 | Absaugleisten-Set, Gummi, rot | [5] |
| 17 | 56305615 | 2 | Mutter HEX | |
| 18 | 56407510 | 2 | Drehknopf | |
| 19 | 56002168 | 2 | WSH FLT CUT 1/2 | |
| 20 | 56305614 | 2 | Handkurbel | |

Part Notes:

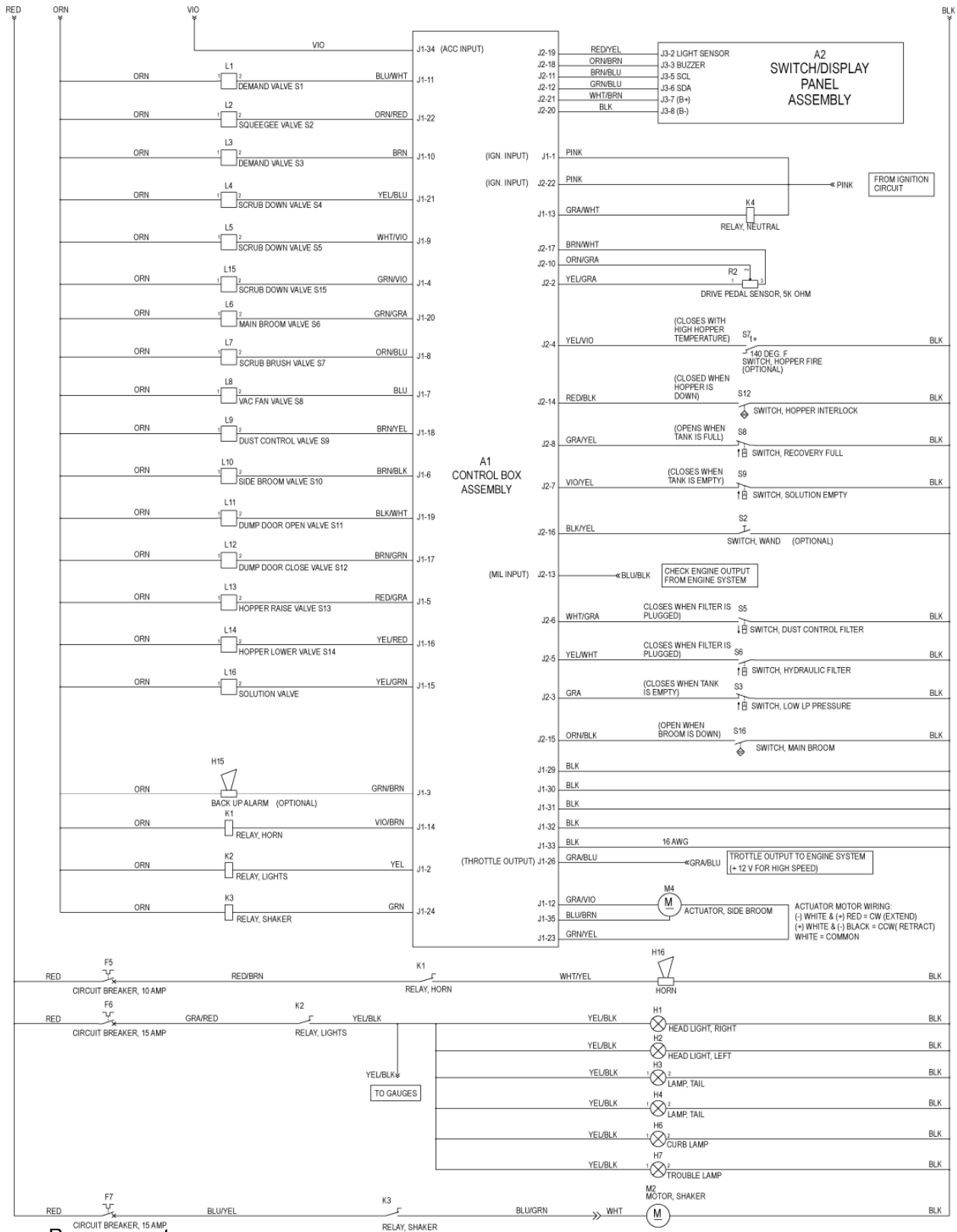
- [1] - CR 1200 - NOTE 1 - Optional
- [2] - CR 1100 - NOTE 1 - Optional
- [3] - CR 1100
- [4] - CR 1400 - NOTE 1 - Optional
- [5] - CR 1400
- [6] - CR 1200
- [7] - 2, 17 and 19-20



| Pos. | Artikel-Nr. | Menge | Variante | Notes |
|------|-------------|-------|---------------------------|-------|
| A3 | | 1 | Engine System | [1] |
| BT | 56380449 | 1 | BATTERY-12V 45AH WET | [2] |
| F1 | 56469788 | 1 | Unterbrecher | |
| F2 | 56454538 | 1 | Sicherungsautomat 15A | |
| F3 | 56387316 | 1 | Schütz 10A | |
| F4 | 56454538 | 1 | Sicherungsautomat 15A | |
| F9 | 56263260 | 1 | Schütz 60A | |
| H8 | 56305660 | 1 | LIGHT RED LED INDICATOR | |
| K4 | 56418387 | 1 | Relais, SPDT | |
| M3 | 56305062 | 1 | Kraftstoffpumpe (Benzin) | [3] |
| P6 | 56304569 | 1 | Spur | [3] |
| P6 | 56304589 | 1 | Anzeige, 3-stellig f. LPG | [4] |
| R1 | 56305619 | 1 | Öldruckschalter | |
| R3 | 56455567 | 1 | Tanksensor | |
| S1 | 56418685 | 1 | Zündschloss | |
| S1 | 56419123 | 1 | Ersatzschlüssel CR 1400 | [5] |
| S4 | 56305618 | 1 | Druckschalter | |

Part Notes:

- [1] - Engine System
- [2] - NOT FOR SALE IN EU
- [3] - Petrol
- [4] - LPG
- [5] - Not Shown

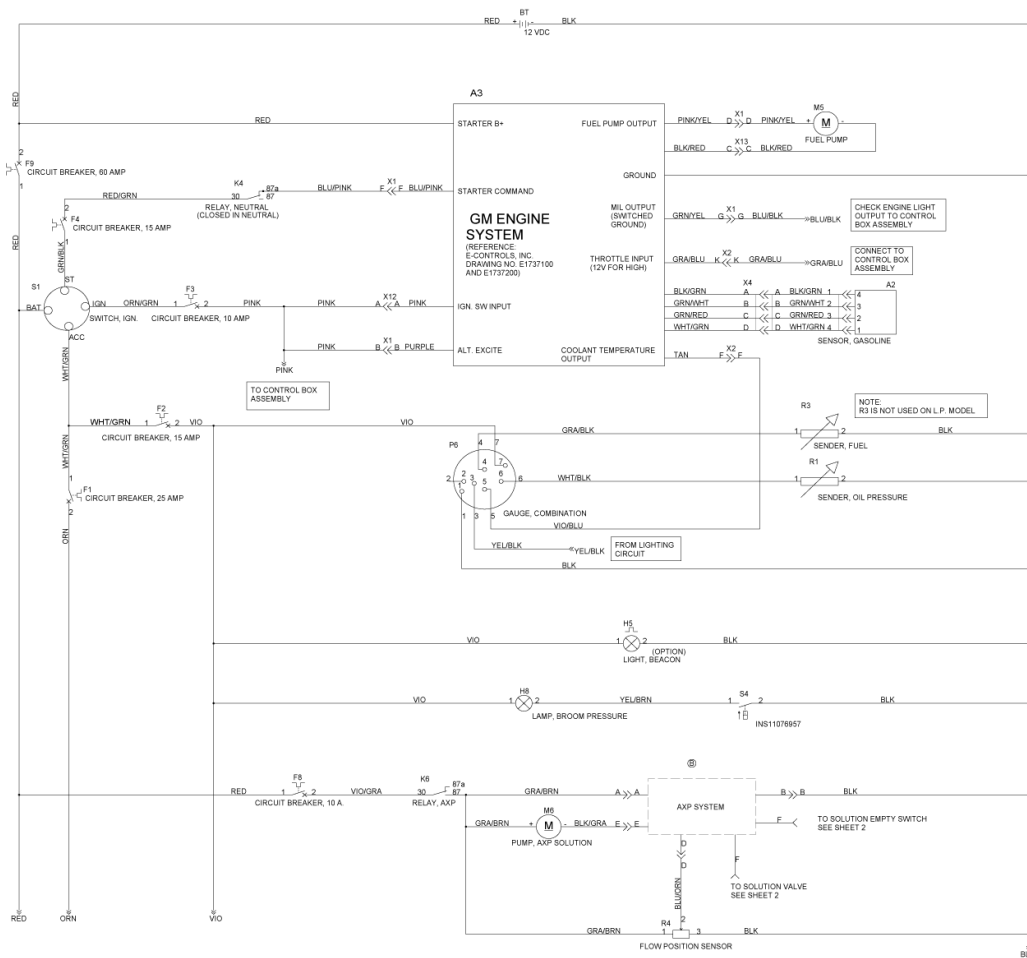


| Pos. | Artikel-Nr. | Menge | Variante | Notes |
|------|-------------|-------|-----------------------------|-------|
| A1 | 56305288 | 1 | Elektronikbox CR 1400 | |
| A2 | 56305229 | 1 | Bedienungspanel CR 1400 | |
| F5 | 56387316 | 1 | Schütz 10A | [1] |
| F6 | 56454538 | 1 | Sicherungsautomat 15A | [2] |
| F7 | 56454538 | 1 | Sicherungsautomat 15A | [3] |
| H1 | 56304783 | 1 | Leuchtmittel | [4] |
| H1 | 56304768 | 1 | Lampe 12V CR 1400 | |
| H15 | 56409232 | 1 | Fahrerschutzdach | [5] |
| H16 | 56442054 | 1 | HORN 12 Vsiehe 145 3801 000 | |
| H2 | 56304768 | 1 | Lampe 12V CR 1400 | |
| H2 | 56304783 | 1 | Leuchtmittel | [4] |
| H3 | 56305237 | 1 | Glühlampe | |
| H4 | 56305237 | 1 | Glühlampe | |
| H5 | 56305482 | 1 | Warnleuchte | [5] |
| H6 | 56304768 | 1 | Lampe 12V CR 1400 | [5] |
| H6 | 56304783 | 1 | Leuchtmittel | |
| H7 | 56305627 | 1 | TROUBLE LAMP | [6] |
| K1 | 56418387 | 1 | Relais, SPDT | |
| K2 | 56418387 | 1 | Relais, SPDT | |
| K3 | 56418387 | 1 | Relais, SPDT | |
| K4 | 56418387 | 1 | Relais, SPDT | |
| L1 | | 1 | DEMAND VALVE, S1 | [7] |
| L10 | | 1 | SIDE BROOM VALVE, S10 | [8] |
| L11 | | 1 | DUMP DOOR OPEN VALVE, S11 | [9] |
| L12 | | 1 | DUMP DOOR CLOSE VALVE, S12 | [10] |
| L13 | | 1 | HOPPER RAISE VALVE, S13 | [11] |
| L14 | | 1 | HOPPER LOWER VALVE, S14 | [12] |
| L15 | | 1 | SCRUB DOWN VALVE, S15 | [13] |
| L16 | 56305103 | 1 | SOLENOID VALVE ASSEMBLY | |
| L2 | | 1 | SQUEEGEE VALVE, S2 | [14] |
| L3 | | 1 | DEMAND VALVE, S3 | [15] |
| L4 | | 1 | SCRUB DOWN VALVE, S4 | [16] |
| L5 | | 1 | SCRUB DOWN VALVE, S5 | [17] |
| L6 | | 1 | MAIN BROOM VALVE, S6 | [18] |
| L7 | | 1 | SCRUB BRUSH VALVE, S7 | [19] |
| L8 | | 1 | VAC FAN VALVE, S8 | [20] |
| L9 | | 1 | DUST CONTROL VALVE, S9 | [21] |
| M2 | 56508773 | 1 | Rüttelmotorkit | [22] |
| M4 | 56305008 | 1 | Stellmotor CR 1400 | |
| R2 | 56305129 | 1 | ROTARY SENSOR | |
| S12 | 56305053 | 1 | Näherungssensor | |
| S16 | 56305053 | 1 | Näherungssensor | |
| S2 | 56209321 | 1 | Schalter zu GW 1030 | [5] |
| S3 | 56418381 | 1 | Druckschalter | |
| S5 | 56305518 | 1 | SWITCH VACUUM | [5] |
| S6 | 56418994 | 1 | Öldruckschalter | |
| S7 | 56418405 | 1 | Thermoschalter CR 1400 | [5] |
| S8 | 56305977 | 1 | Schwimmerschalter CR 1400 | [23] |
| S9 | 56305032 | 1 | Füllstandssensor f. | |

Part Notes:

- [1] - HORN
- [2] - HEADLIGHTS
- [3] - SHAKER
- [4] - For 56304768
- [5] - optional
- [6] - optional
NO LONGER AVAILABLE
- [7] - DEMAND VALVE, S1

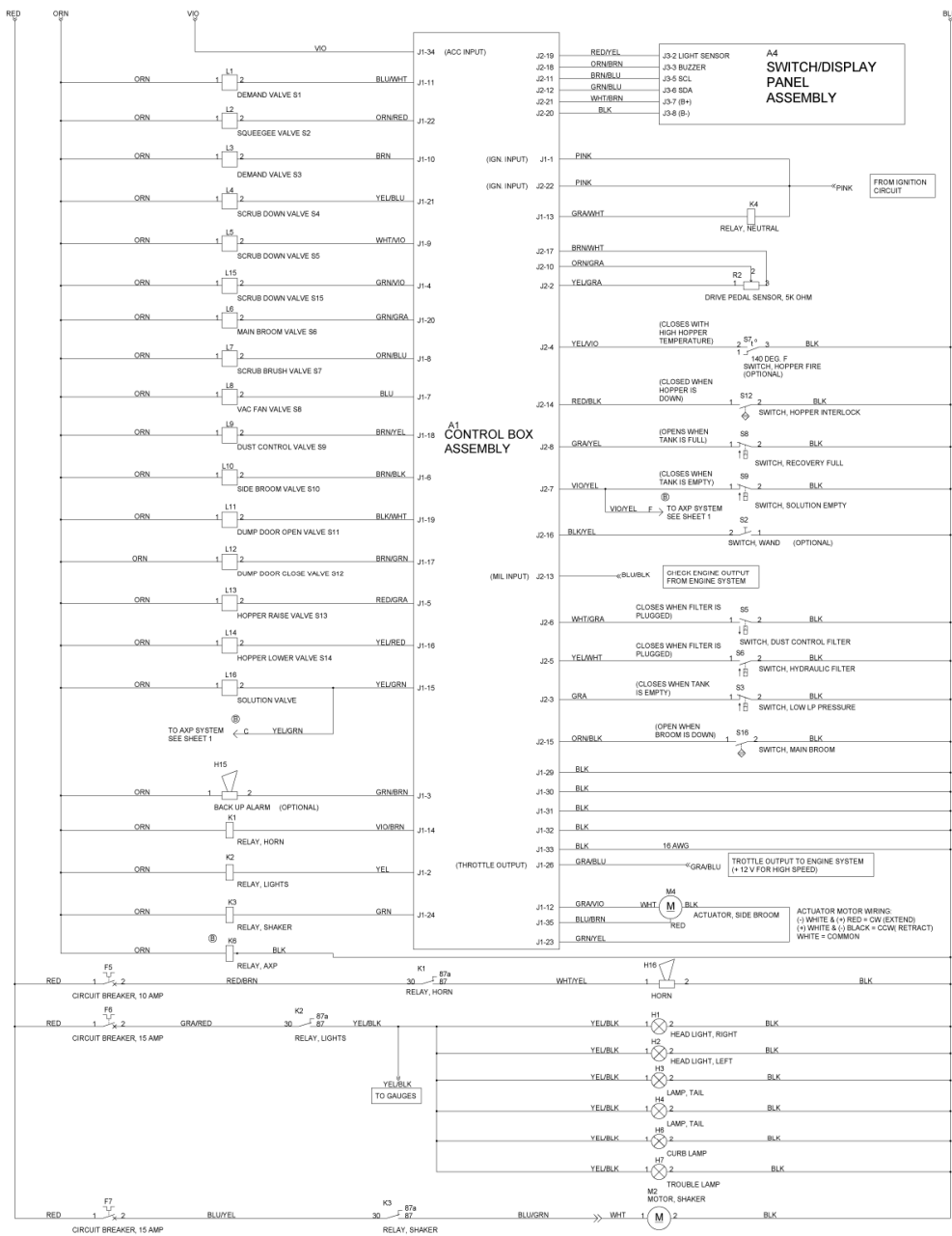
-
- [8] - SIDE BROOM VALVE, S10
 - [9] - DUMP DOOR OPEN VALVE, S11
 - [10] - DUMP DOOR CLOSE VALVE, S12
 - [11] - HOPPER RAISE VALVE, S13
 - [12] - HOPPER LOWER VALVE, S14
 - [13] - SCRUB DOWN VALVE, S15
 - [14] - SQUEEGEE VALVE, S2
 - [15] - DEMAND VALVE, S3
 - [16] - SCRUB DOWN VALVE, S4
 - [17] - SCRUB DOWN VALVE, S5
 - [18] - MAIN BROOM VALVE, S6
 - [19] - SCRUB BRUSH VALVE, S7
 - [20] - VAC FAN VALVE, S8
 - [21] - DUST CONTROL VALVE, S9
 - [22] - NOTE 1
 - [23] - TSBUS2005-875



| Pos. | Artikel-Nr. | Menge | Variante | Notes |
|------|-------------|-------|---------------------------|-------|
| A3 | | 1 | Engine System | [1] |
| BT | 56380449 | 1 | BATTERY-12V 45AH WET | [2] |
| F1 | 56469788 | 1 | Unterbrecher | [3] |
| F2 | 56454538 | 1 | Sicherungsautomat 15A | [4] |
| F3 | 56387316 | 1 | Schütz 10A | [5] |
| F4 | 56454538 | 1 | Sicherungsautomat 15A | [6] |
| F8 | 56387316 | 1 | Schütz 10A | [7] |
| F9 | 56263260 | 1 | Schütz 60A | [8] |
| H8 | 56305660 | 1 | LIGHT RED LED INDICATOR | |
| K4 | 56418387 | 1 | Relais, SPDT | [9] |
| K6 | 56418387 | 1 | Relais, SPDT | [7] |
| M5 | 56305062 | 1 | Kraftstoffpumpe (Benzin) | [10] |
| P6 | 56304569 | 1 | Spur | [10] |
| P6 | 56304589 | 1 | Anzeige, 3-stellig f. LPG | [11] |
| R1 | 56305619 | 1 | Öldruckschalter | |
| R3 | 56455567 | 1 | Tanksensor | |
| R4 | 56303313 | 1 | Sensor f. Fahrpedal | [7] |
| S1 | 56419123 | 1 | Ersatzschlüssel CR 1400 | [12] |
| S1 | 56418685 | 1 | Zündschloss | |
| S4 | 56305618 | 1 | Druckschalter | |

Part Notes:

- [1] - Engine System
- [2] - Machine outphased 2006
NOT FOR SALE IN EU
- [3] - ACC 1
- [4] - ACC 2
- [5] - IGN
- [6] - ST
- [7] - EDS
- [8] - MAIN
- [9] - Closed in neutral
- [10] - Gasoline / Petrol
- [11] - LPG
- [12] - For 56418685 - Not shown

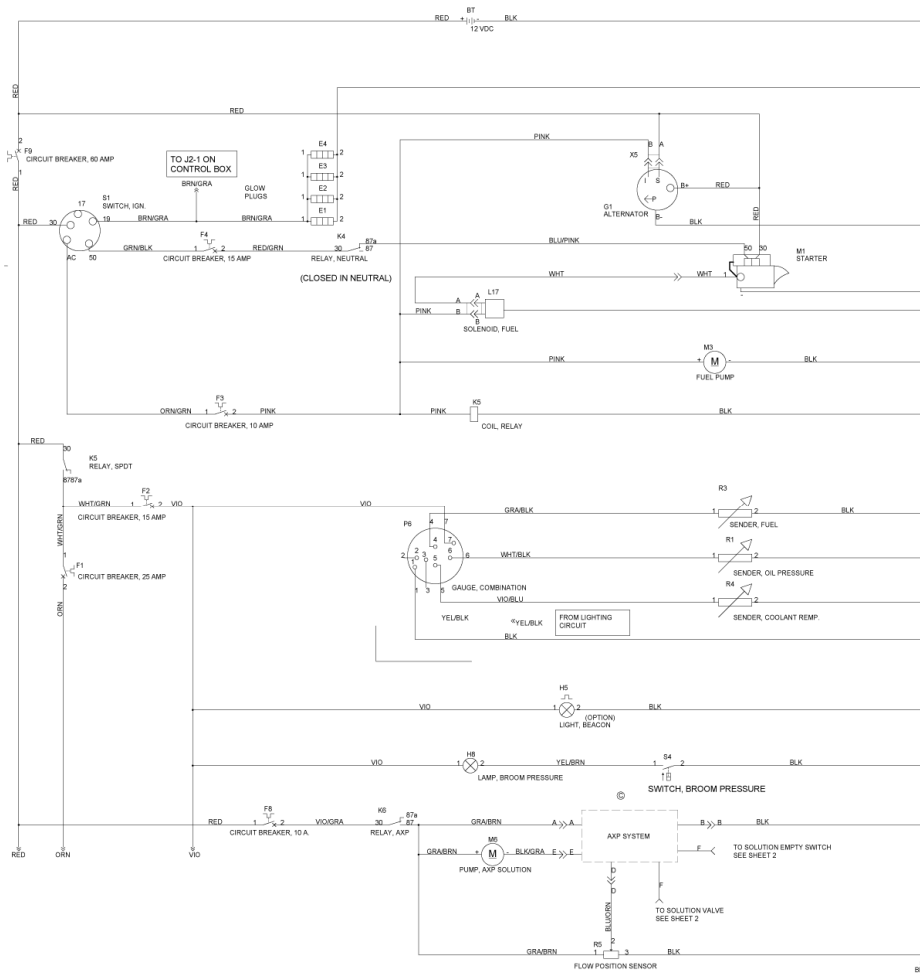


| Pos. | Artikel-Nr. | Menge | Variante | Notes |
|------|-------------|-------|-----------------------------|-------|
| A1 | 56305288 | 1 | Elektronikbox CR 1400 | |
| A2 | 56305229 | 1 | Bedienungspanel CR 1400 | |
| F5 | 56387316 | 1 | Schütz 10A | [1] |
| F6 | 56454538 | 1 | Sicherungsautomat 15A | [2] |
| F7 | 56454538 | 1 | Sicherungsautomat 15A | [3] |
| H1 | 56304783 | 1 | Leuchtmittel | [4] |
| H1 | 56304768 | 1 | Lampe 12V CR 1400 | |
| H15 | 56409232 | 1 | Fahrerschutzdach | [5] |
| H16 | 56442054 | 1 | HORN 12 Vsiehe 145 3801 000 | |
| H2 | 56304783 | 1 | Leuchtmittel | [4] |
| H2 | 56304768 | 1 | Lampe 12V CR 1400 | |
| H3 | 56305237 | 1 | Glühlampe | |
| H4 | 56305237 | 1 | Glühlampe | |
| H5 | 56305482 | 1 | Warnleuchte | [5] |
| H6 | 56304768 | 1 | Lampe 12V CR 1400 | [5] |
| H6 | 56304783 | 1 | Leuchtmittel | [4] |
| H7 | 56305627 | 1 | TROUBLE LAMP | [6] |
| K1 | 56418387 | 1 | Relais, SPDT | |
| K2 | 56418387 | 1 | Relais, SPDT | |
| K3 | 56418387 | 1 | Relais, SPDT | |
| K4 | 56418387 | 1 | Relais, SPDT | [7] |
| L1 | | 1 | DEMAND VALVE, S1 | [8] |
| L10 | | 1 | SIDE BROOM VALVE, S10 | [9] |
| L11 | | 1 | DUMP DOOR OPEN VALVE, S11 | [10] |
| L12 | | 1 | DUMP DOOR CLOSE VALVE, S12 | [11] |
| L13 | | 1 | HOPPER RAISE VALVE, S13 | [12] |
| L14 | | 1 | HOPPER LOWER VALVE, S14 | [13] |
| L15 | | 1 | SCRUB DOWN VALVE, S1 | [14] |
| L16 | 56305103 | 1 | SOLENOID VALVE ASSEMBLY | |
| L2 | | 1 | SQUEEGEE VALVE, S2 | [15] |
| L3 | | 1 | DEMAND VALVE, S3 | [16] |
| L4 | | 1 | SCRUB DOWN VALVE, S4 | [17] |
| L5 | | 1 | SCRUB DOWN VALVE, S5 | [18] |
| L6 | | 1 | MAIN BROOM VALVE, S6 | [19] |
| L7 | | 1 | SCRUB BRUSH VALVE, S7 | [20] |
| L8 | | 1 | VAC FAN VALVE, S8 | [21] |
| L9 | | 1 | DUST CONTROL VALVE, S9 | [22] |
| M2 | 56508664 | 1 | Rüttelmotor 12V | |
| M4 | 56305008 | 1 | Stellmotor CR 1400 | |
| R2 | 56305129 | 1 | ROTARY SENSOR | |
| S12 | 56305053 | 1 | Näherungssensor | |
| S16 | 56305053 | 1 | Näherungssensor | |
| S2 | 56209321 | 1 | Schalter zu GW 1030 | [5] |
| S3 | 56418381 | 1 | Druckschalter | |
| S5 | 56305518 | 1 | SWITCH VACUUM | [5] |
| S6 | 56418994 | 1 | Öldruckschalter | |
| S7 | 56418405 | 1 | Thermoschalter CR 1400 | [5] |
| S8 | 56305977 | 1 | Schwimmerschalter CR 1400 | |
| S9 | 56305032 | 1 | Füllstandssensor f. | |

Part Notes:

- [1] - HORN
- [2] - HEADLIGHTS
- [3] - SHAKER
- [4] - For 56304768
- [5] - optional
- [6] - optional
NO LONGER AVAILABLE
- [7] - Closed in neutral

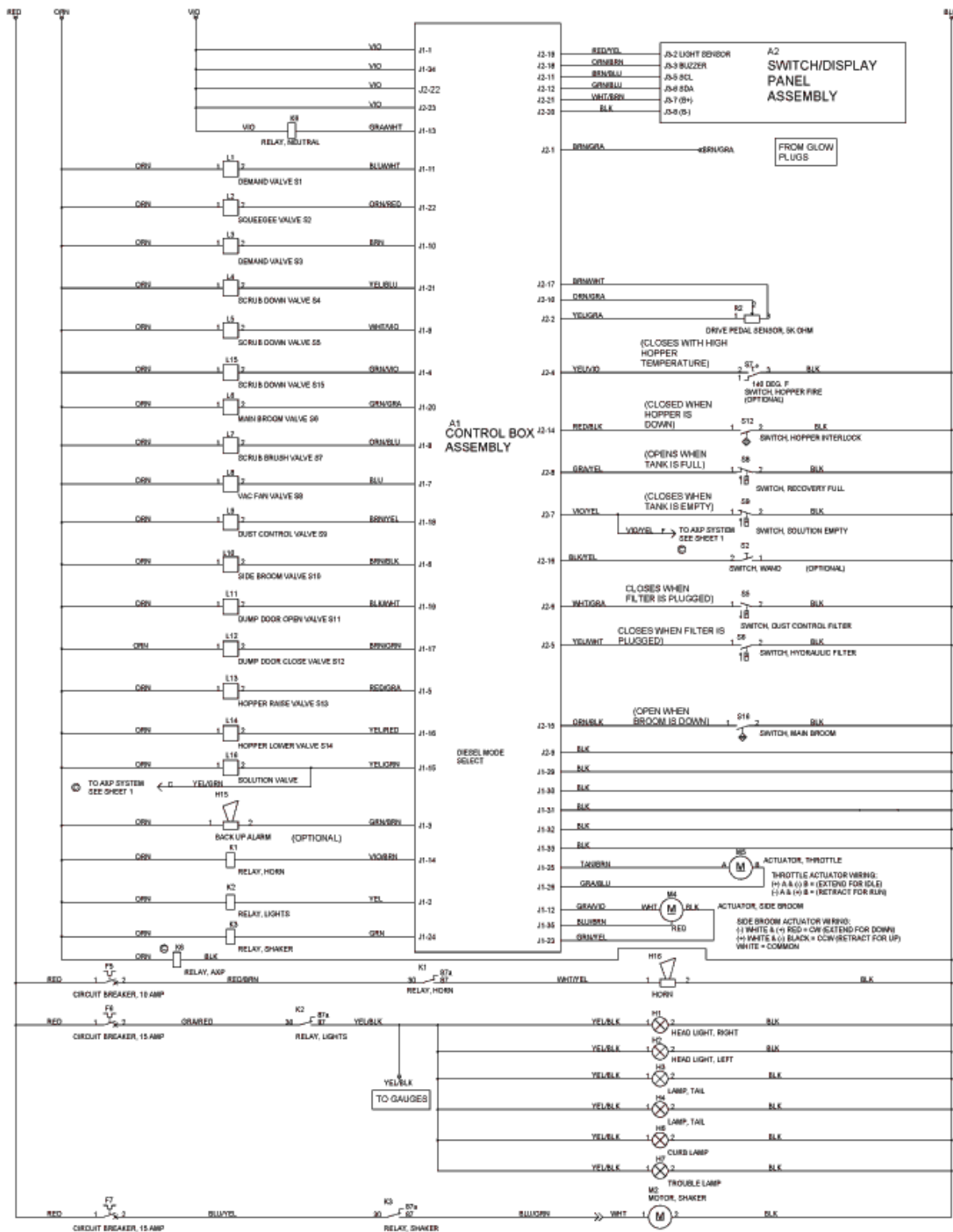
- [8] - DEMAND VALVE, S1
- [9] - SIDE BROOM VALVE, S10
- [10] - DUMP DOOR OPEN VALVE, S11
- [11] - DUMP DOOR CLOSE VALVE, S12
- [12] - HOPPER RAISE VALVE, S13
- [13] - HOPPER LOWER VALVE, S14
- [14] - SCRUB DOWN VALVE, S1
- [15] - SQUEEGEE VALVE, S2
- [16] - DEMAND VALVE, S3
- [17] - SCRUB DOWN VALVE, S4
- [18] - SCRUB DOWN VALVE, S5
- [19] - MAIN BROOM VALVE, S6
- [20] - SCRUB BRUSH VALVE, S7
- [21] - VAC FAN VALVE, S8
- [22] - DUST CONTROL VALVE, S9



| Pos. | Artikel-Nr. | Menge | Variante | Notes |
|------|-------------|-------|-----------------------------------|-------|
| BT | 1464483000 | 1 | Batterie 12V-49 Ah, AGM Monoblock | |
| E1 | | 1 | GLOW PLUG | [1] |
| E2 | | 1 | GLOW PLUG | [1] |
| E3 | | 1 | GLOW PLUG | [1] |
| E4 | | 1 | GLOW PLUG | [1] |
| F1 | 56469788 | 1 | Unterbrecher | |
| F2 | 56454538 | 1 | Sicherungsautomat 15A | |
| F3 | 56387316 | 1 | Schütz 10A | |
| F4 | 56454538 | 1 | Sicherungsautomat 15A | |
| F8 | 56387316 | 1 | Schütz 10A | [2] |
| F9 | 56263260 | 1 | Schütz 60A | |
| G1 | 56305867 | 1 | Lichtmaschine | |
| H5 | 56305482 | 1 | Warnleuchte | [3] |
| H8 | 56305660 | 1 | LIGHT RED LED INDICATOR | |
| K4 | 56418387 | 1 | Relais, SPDT | |
| K5 | 56418387 | 1 | Relais, SPDT | |
| K6 | 56418387 | 1 | Relais, SPDT | [2] |
| L17 | 56419446 | 1 | Magnetventil, Kit | [4] |
| M1 | 56419089 | 1 | Starter | |
| M3 | 56418793 | 1 | Dieselpumpe | |
| M6 | 56306140 | 1 | Pumpe 12V / 60PSI | [2] |
| P6 | 56304569 | 1 | Spur | |
| R1 | 56305619 | 1 | Öldruckschalter | |
| R3 | 56455567 | 1 | Tanksensor | |
| R4 | 56305873 | 1 | Sender, Hydraulik Öl Temp | |
| R5 | 56303313 | 1 | Sensor f. Fahrpedal | [2] |
| S1 | 56497754 | 1 | Schlüsselschalter CR 1400 | |
| S4 | 56305618 | 1 | Druckschalter | |

Part Notes:

- [1] - GLOW PLUG
- [2] - EDS
- [3] - optional
- [4] - EXPIRED NO REPLACEMENT

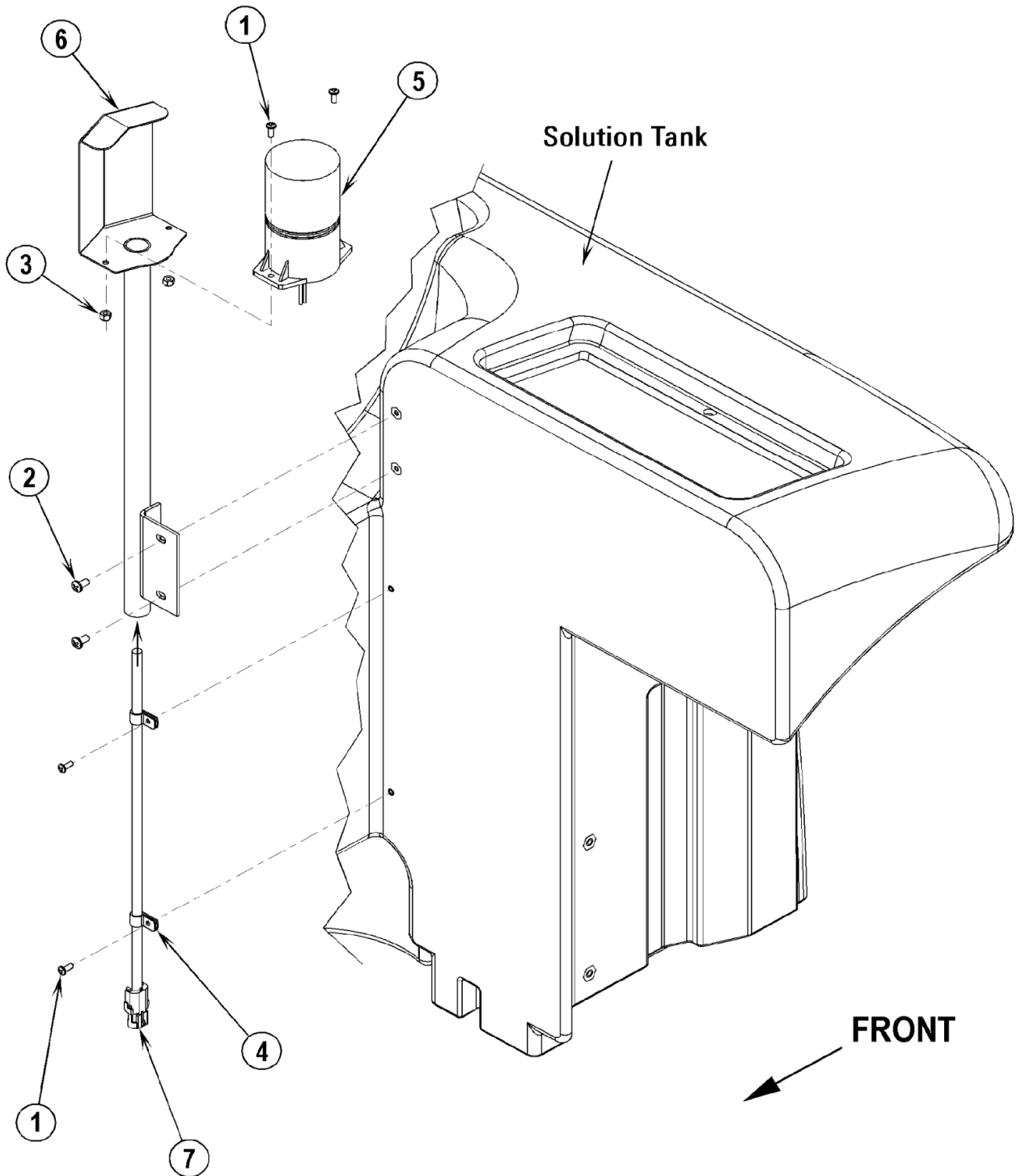


| Pos. | Artikel-Nr. | Menge | Variante | Notes |
|------|-------------|-------|--|-------|
| A1 | 56305288 | 1 | Elektronikbox CR 1400 | |
| A2 | 56305229 | 1 | Bedienungspanel CR 1400 | |
| F5 | 56387316 | 1 | Schütz 10A | [1] |
| F6 | 56454538 | 1 | Sicherungsautomat 15A | [2] |
| F7 | 56454538 | 1 | Sicherungsautomat 15A | [3] |
| H1 | 56304783 | 1 | Leuchtmittel | [4] |
| H1 | 56304768 | 1 | Lampe 12V CR 1400 | |
| H15 | 56409232 | 1 | Fahrerschutzdach | [5] |
| H16 | 56442054 | 1 | HORN 12 Vsiehe 145 3801 000 | |
| H2 | 56304783 | 1 | Leuchtmittel | [4] |
| H2 | 56304768 | 1 | Lampe 12V CR 1400 | |
| H3 | 56305237 | 1 | Glühlampe | |
| H4 | 56305237 | 1 | Glühlampe | |
| H6 | 56304783 | 1 | Leuchtmittel | [4] |
| H6 | 56304768 | 1 | Lampe 12V CR 1400 | [5] |
| H7 | 56305627 | 1 | TROUBLE LAMP | [6] |
| K1 | 56418387 | 1 | Relais, SPDT | |
| K2 | 56418387 | 1 | Relais, SPDT | |
| K3 | 56418387 | 1 | Relais, SPDT | |
| K4 | 56418387 | 1 | Relais, SPDT | [7] |
| L1 | | 6 | DEMAND VALVE, S1 - NOT AVAILABLE | [8] |
| L10 | | 6 | SIDE BROOM VALVE, S10 - NOT AVAILABLE | [9] |
| L11 | | 6 | DUMP DOOR OPEN VALVE, S11 - NOT AVAILABLE | [10] |
| L12 | | 6 | DUMP DOOR CLOSE VALVE, S12 - NOT AVAILABLE | [11] |
| L13 | | 6 | HOPPER RAISE VALVE, S13 - NOT AVAILABLE | [12] |
| L14 | | 6 | HOPPER LOWER VALVE, S14 - NOT AVIALABLE | [13] |
| L15 | | 6 | SCRUB DOWN VALVE, S15 - NOT AVAILABLE | [14] |
| L16 | 56305103 | 1 | SOLENOID VALVE ASSEMBLY | |
| L2 | | 6 | SQUEEGEE VALVE, S2 - NOT AVAILABLE | [15] |
| L3 | | 6 | DEMAND VALVE, S3 - NOT AVAILABLE | [16] |
| L4 | | 6 | SCRUB DOWN VALVE, S4 - NOT AVAILABLE | [17] |
| L5 | | 6 | SCRUB DOWN VALVE, S5 - NOT AVAILABLE | [18] |
| L6 | | 6 | MAIN BROOM VALVE, S6 - NOT AVAILABLE | [19] |
| L7 | | 6 | SCRUB BRUSH VALVE, S7 - NOT AVAILABLE | [20] |
| L8 | | 6 | VAC FAN VALVE, S8 - NOT AVAILABLE | [21] |
| L9 | | 6 | DUST CONTROL VALVE, S9 - NOT AVAILABLE | [22] |
| M2 | 56508664 | 1 | Rüttelmotor 12V | |
| M4 | 56305008 | 1 | Stellmotor CR 1400 | |
| M5 | 56304348 | 1 | Stellmotor | |
| R2 | 56305129 | 1 | ROTARY SENSOR | |
| S12 | 56305053 | 1 | Näherungssensor | |
| S16 | 56305053 | 1 | Näherungssensor | |
| S2 | 56209321 | 1 | Schalter zu GW 1030 | |
| S5 | 56305518 | 1 | SWITCH VACUUM | |
| S6 | 56418994 | 1 | Öldruckschalter | |
| S7 | 56418405 | 1 | Thermoschalter CR 1400 | |
| S8 | 56305977 | 1 | Schwimmerschalter CR 1400 | [23] |
| S9 | 56305032 | 1 | Füllstandssensor f. | |

Part Notes:

- [1] - HORN
- [2] - HEADLIGHT
- [3] - SHAKER
- [4] - For 56304768
- [5] - optional
- [6] - optional
NO LONGER AVAILABLE
- [7] - Closed on neutral
- [8] - DEMAND VALVE, S1 - NOT AVAILABLE

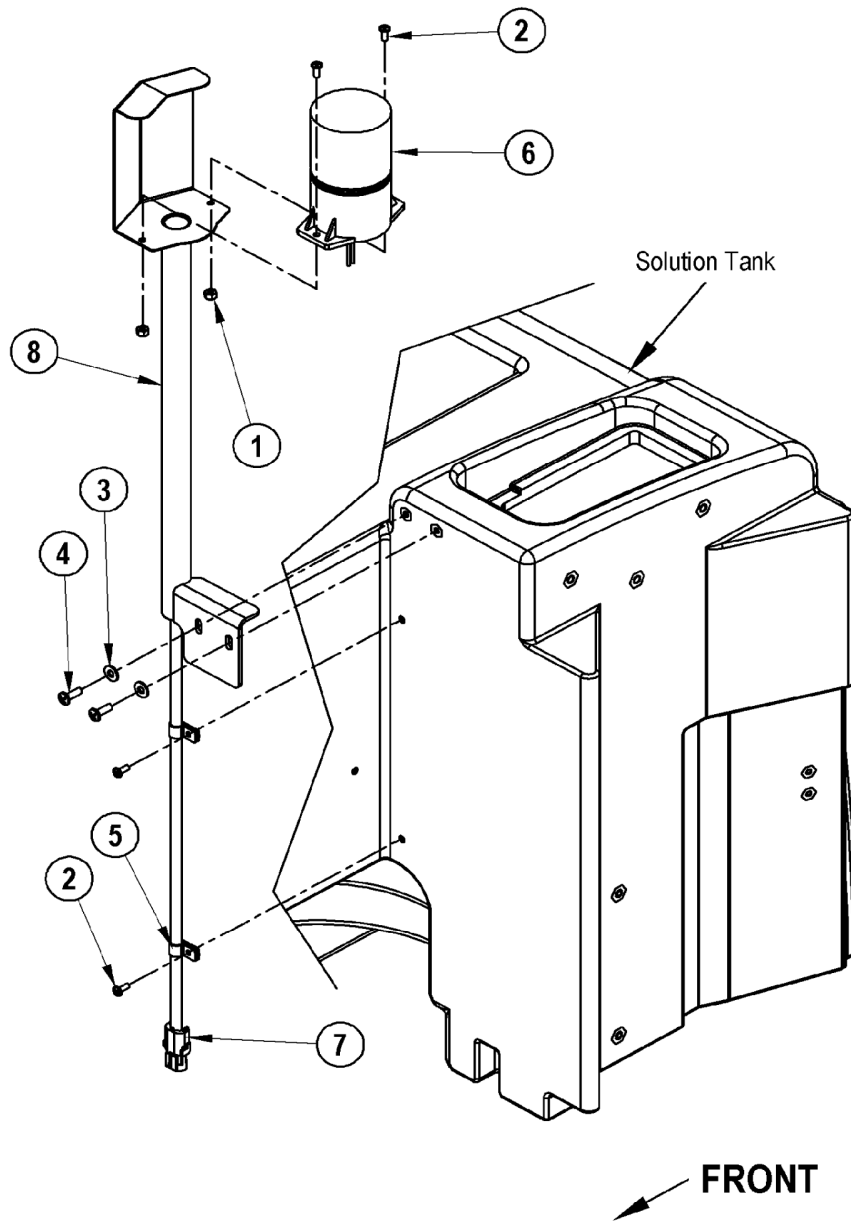
- [9] - SIDE BROOM VALVE, S10 - NOT AVAILABLE
- [10] - DUMP DOOR OPEN VALVE, S11 - NOT AVAILABLE
- [11] - DUMP DOOR CLOSE VALVE, S12 - NOT AVAILABLE
- [12] - HOPPER RAISE VALVE, S13 - NOT AVAILABLE
- [13] - HOPPER LOWER VALVE, S14 - NOT AVIALABLE
- [14] - SCRUB DOWN VALVE, S15 - NOT AVAILABLE
- [15] - SQUEEGEE VALVE, S2 - NOT AVAILABLE
- [16] - DEMAND VALVE, S3 - NOT AVAILABLE
- [17] - SCRUB DOWN VALVE, S4 - NOT AVAILABLE
- [18] - SCRUB DOWN VALVE, S5 - NOT AVAILABLE
- [19] - MAIN BROOM VALVE, S6 - NOT AVAILABLE
- [20] - SCRUB BRUSH VALVE, S7 - NOT AVAILABLE
- [21] - VAC FAN VALVE, S8 - NOT AVAILABLE
- [22] - DUST CONTROL VALVE, S9 - NOT AVAILABLE
- [23] - TSBUS2005-875



| Pos. | Artikel-Nr. | Menge | Variante | Notes |
|------|-------------|-------|---------------------------|-------|
| 00 | 56305482 | 1 | Warnleuchte | [1] |
| 01 | 56001993 | 4 | SCR PAN HD PHIL 10-24X.50 | |
| 02 | 56002145 | 2 | Schraube 1/4 20x .50 | |
| 03 | 56002832 | 2 | 6-Kt Mutter Nylon | |
| 04 | 56172017 | 2 | P-CLIP E00129 | |
| 05 | 56305223 | 1 | Rundumleuchte | [2] |
| 06 | 56305481 | 1 | TUBE WELDMENT | |
| 07 | 56305513 | 1 | Schutzrohr für | |

Part Notes:

- [1] - Standard on CR1200 AND 1400 models
- [2] - EXPIRED USE 56510893



Beacon kit (standard on CR 1100 Models) - Main Parts

CR 1200 D/P/LPG

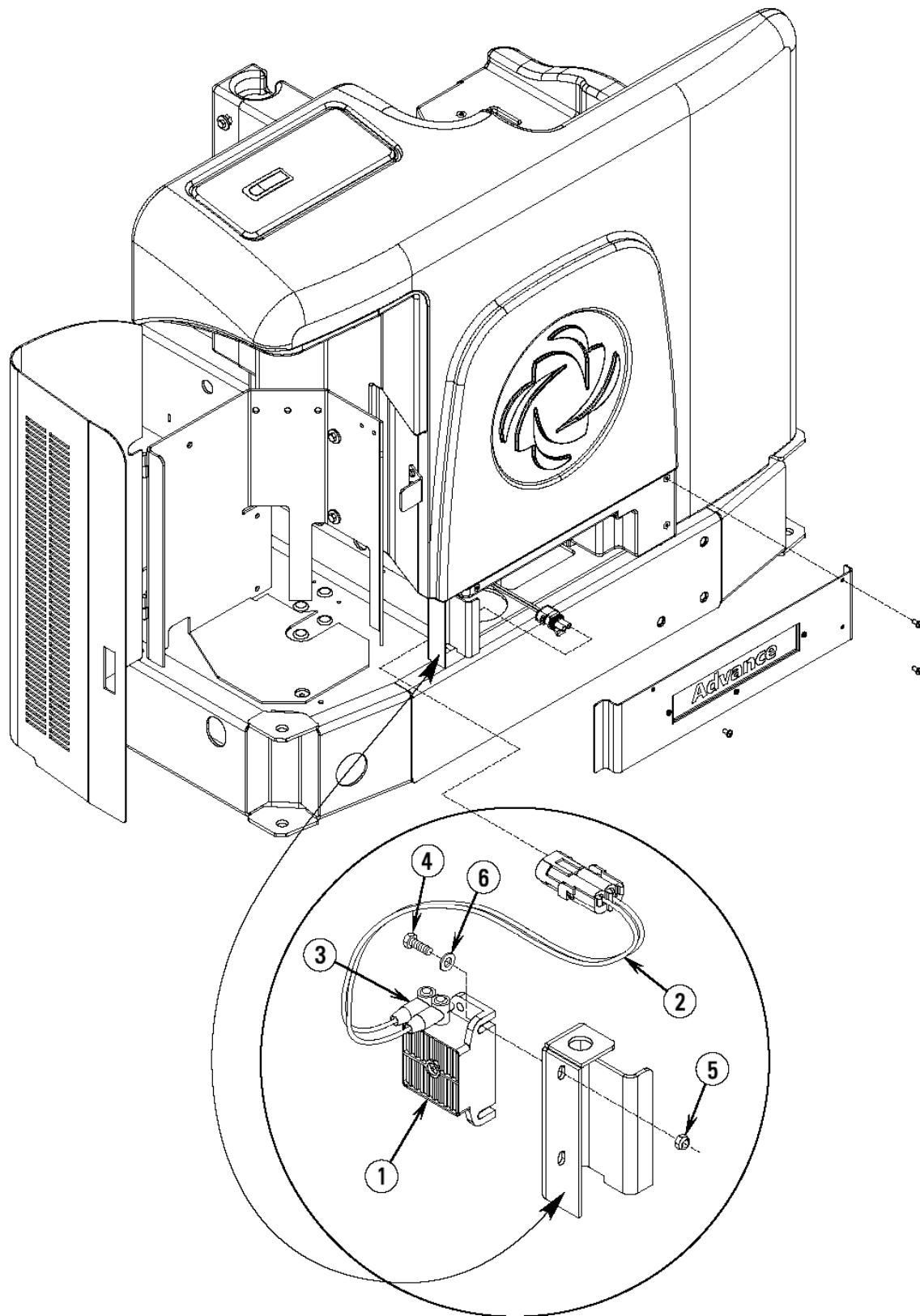
2017.11.02

2013.04.02

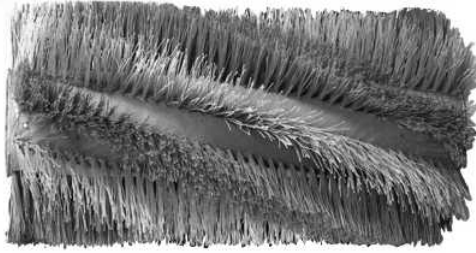
| Pos. | Artikel-Nr. | Menge | Variante | Notes |
|------|-------------|-------|---------------------------|-------|
| 00 | 56305881 | 1 | BEACON KIT 60 | |
| 01 | 56002832 | 2 | 6-Kt Mutter Nylon | |
| 02 | 56001993 | 4 | SCR PAN HD PHIL 10-24X.50 | |
| 03 | 56002098 | 2 | Scheibe | |
| 04 | 56002507 | 2 | SCR PAN PHIL 1/4-20 X .75 | |
| 05 | 56172017 | 2 | P-CLIP E00129 | |
| 06 | 56305223 | 1 | Rundumleuchte | [1] |
| 07 | 56305513 | 1 | Schutzrohr für | |
| 08 | 56305883 | 1 | BEACON MOUNT WELDMENT 60 | |

Part Notes:

[1] - EXPIRED USE 56510893



| Pos. | Artikel-Nr. | Menge | Variante | Notes |
|------|-------------|-------|----------------------|-------|
| 00 | 56305519 | 1 | Rückfahralarm | |
| 01 | 56409232 | 1 | Fahrerschutzdach | |
| 02 | 56409495 | 1 | Anschlußkabel | |
| 03 | 56409538 | 2 | Isolator | |
| 04 | 56002155 | 2 | SCR HEX 1/4-20 X .75 | |
| 05 | 56002708 | 2 | Stopmutter 1/4-20 | |
| 06 | 56002098 | 2 | Scheibe | |



8 Double Row

Length..... **40" (101.6 cm)**
 Diameter..... **14" (35.56 cm)**

Main Broom: PN56505955 Proex & Wire (STD.) (8 Double Rows)

This broom has a more aggressive cleaning action, used to pick up heavier debris.

PN56505956 Prolene (Optional) (8 D-Rows)

A top quality synthetic fiber. This filament is made for a wide variety of applications. Retains its stiffness when wet and resists abrasive chemicals, solvents and oils. A general purpose material offering high performance for a wide range of applications.

PN56505953 Nylon (Optional) (8 D-Rows)

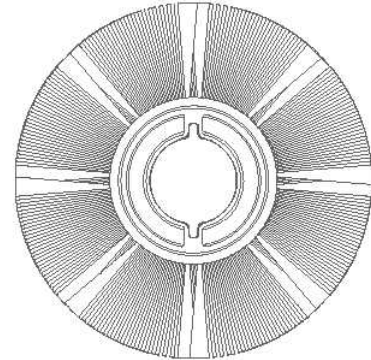
General purpose broom that can be used for all types of light soil. High wear material so uneven surfaces do not cause excessive wear. Nylon has a high heat deflection temperature, is chemical resistant and will absorb water in wet conditions. Truly a general purpose broom.

PN56505952 Proex (Optional) (12 Double Rows)

PN56505954 Proex (Optional) (8 Double Rows)

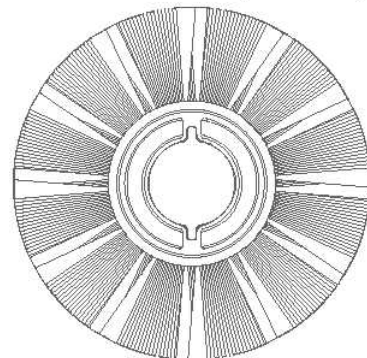
Synthetic fiber made of polypropylene designed to pick up paper, gravel, sand and other lighter less bulky litter.

PN56505951 Poly/Wire (Optional) (8 Double Rows)



12 Double Row

Length **40" (101.6 cm)**
 Diameter..... **14" (35.56 cm)**



Side Broom: PN56462252 Polypropylene (STD.)

The side broom function is to sweep the dirt and debris away from the curb, wall, pallet, etc. into the path of the main broom.



Diameter **20" (50.8 cm)**

| Pos. | Artikel-Nr. | Menge | Variante | Notes |
|------|-------------|-------|---------------------------|-------|
| 01 | 56505955 | 1 | Kehrwalze Pro-ex/Stahl 8R | |
| 02 | 56505956 | 1 | Kehrwalze PPN 8R | |
| 03 | 56505953 | 1 | Kehrwalze Nylon 8R | |
| 04 | 56505952 | 1 | Kehrwalze Pro-ex 12R | |
| 05 | 56505954 | 1 | Kehrwalze Pro-ex 8R | |
| 06 | 56505951 | 1 | Kehrwalze Poly/Stahl 8R | |
| 07 | 56462252 | 1 | Seitenbesen PP | |

We provide brushes and pad holders that will give you the best possible performance between machine and floor. Following are descriptions of the materials and their applications when used on the CR .

- Union Mix:** Medium grade natural fibers for polishing finished floors with standard-speed equipment. Recommended for use in place of white pads.
- ProLite:** Bristles are made from light-duty polypropylene for general scrubbing when you do not want to scratch or remove finish from the floor. Recommended for use in place of red pads.
- Prolene:** Polypropylene material for medium-duty scrubbing on concrete, terrazzo and vinyl floor tile. Recommended for use in place of green or blue pads.
- Magna Grit:** For extreme heavy-duty scrubbing or stripping of floors. This brush has extra large diameter silicon carbide grit impregnated synthetic bristles. Recommended for use in place of black pads.
- Dyna Grit:** For aggressive, heavy-duty scrubbing or stripping of floors. Recommended for use in place of brown pads.
- MidLite Grit:** For general purpose scrubbing of sealed or unsealed concrete, stone, terrazzo, quarry tile and other resilient hard floor surfaces. Recommended for use in place of green or blue pads.
- MidGrit:** For general purpose scrubbing when you need a lighter action for sealed or unsealed concrete, stone, terrazzo, quarry tile and other resilient hard floor surfaces. Recommended for use in place of green or blue pads.
- AgLite Grit:** For light scrubbing when used wet; buffing or polishing when used dry on urethane coated, sealed concrete or other resilient hard surface floors. Recommended for use in place of red or white pads.
- Short Trim Pad Holder:** Made with a structural foam block and center ring for correct pad centering. It has a "shower feed" design for getting solution to the floor.

43"/CR 1100 BRUSHES

- 56505946 - Union Mix
- 56505944 - Prolene
- 56505942 - Dyna Grit
- 56505947 - MidGrit
- 56505940 - Short Trim Pad Holder
- 56505195 - Pad Retainer for 56505940
- 56505945 - ProLite
- 56505941 - Magna Grit
- 56505948 - MidLite Grit (std)
- 56505943 - AgLite Grit

48"/CR 1200 BRUSHES

- 56505786 - Union Mix
- 56505784 - Prolene
- 56505782 - Dyna Grit
- 56505787 - MidGrit
- 56505780 - Short Trim Pad Holder
- 56505195 - Pad Retainer for 56505780
- 56505785 - ProLite
- 56505781 - Magna Grit
- 56505788 - MidLite Grit (std)
- 56505783 - AgLite Grit

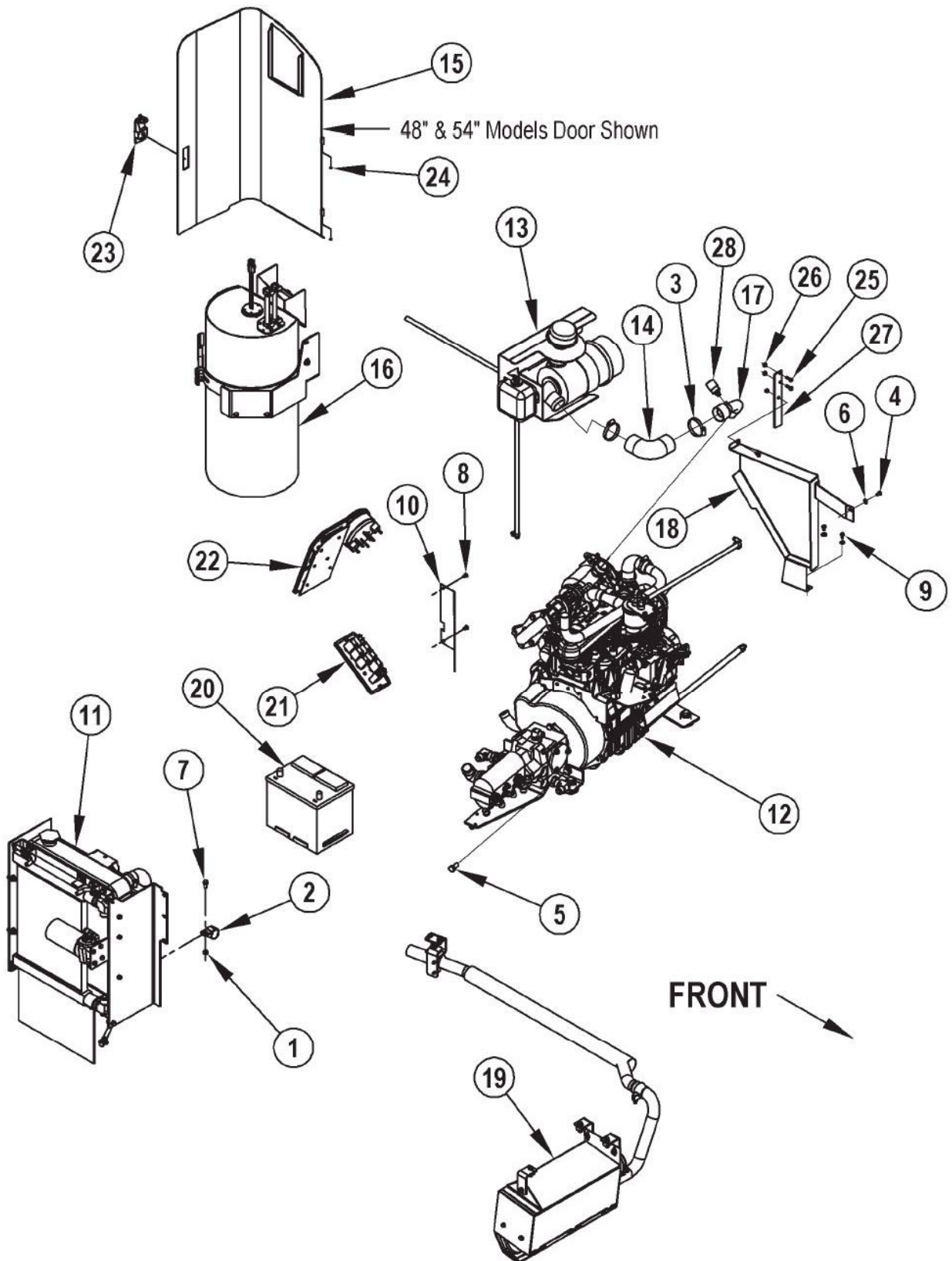
54"/CR 1400 BRUSHES

- 56505806 - Union Mix
- 56505804 - Prolene
- 56505802 - Dyna Grit
- 56505807 - MidGrit
- 56505800 - Short Trim Pad Holder
- 56505195 - Pad Retainer for 56505800
- 56505805 - ProLite
- 56505801 - Magna Grit
- 56505808 - MidLite Grit (std)
- 56505803 - AgLite Grit

DISC BRUSH APPLICATION GUIDE (SUGGESTION ONLY)

| Application | 46 Grit | 80 Grit | 180 Grit | 240 Grit | 500 Grit | Prolene | Prolite | Union Mix |
|---------------------------|---------|---------|----------|----------|----------|---------|---------|-----------|
| Stripping: | | | | | | | | |
| Concrete | X | X | | | | | | |
| Terrazzo | X | X | | | | | | |
| Ceramic/Quarry tile | | X | | | | | | |
| Vinyl tile | | X | | | | | | |
| General Scrubbing: | | | | | | | | |
| Concrete | X | X | X | X | | X | | |
| Terrazzo | | | X | X | X | X | | |
| Ceramic/Quarry tile | | | X | X | X | X | | |
| Marble | | | | | X | | X | |
| Vinyl tile | | | X | | X | X | | |
| Raised-rubber tile | | | | | X | | X | |
| Polishing: | | | | | | | | |
| Raised Disc Tile | | | | | | | | X |
| Marble | | | | | | | | X |
| Vinyl tile | | | | | | | | X |

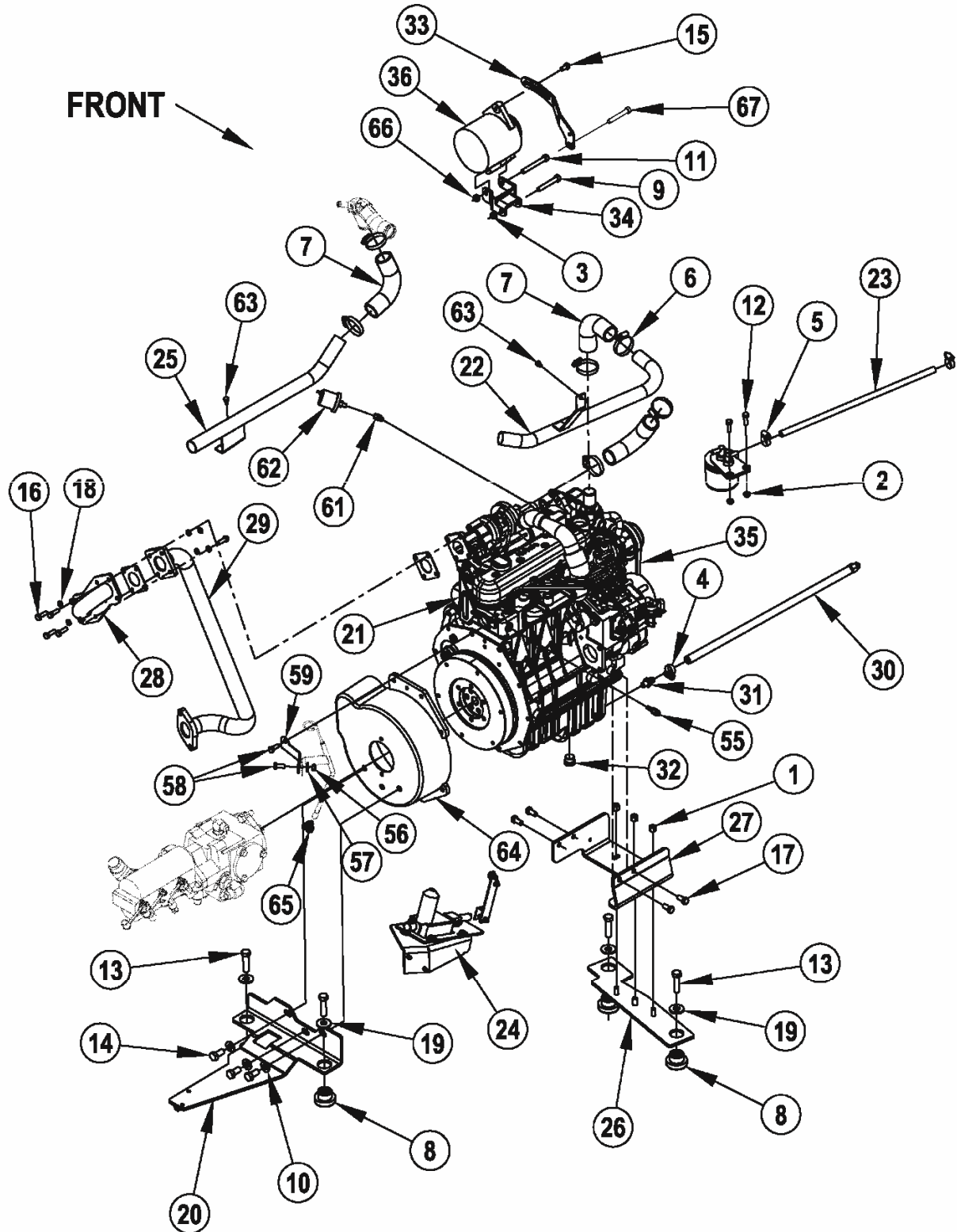
| Pos. | Artikel-Nr. | Menge | Variante | Notes |
|------|-------------|-------|--------------------------------------|-------|
| 01 | 56505946 | 1 | DISC BRUSH-15 UNION MIX 3 LUG | |
| 02 | 56505944 | 1 | Bürste, 15" Prolene | |
| 03 | 56505942 | 1 | BRUSH DYNAGRIT 15 | |
| 04 | 56505947 | 1 | DISC BRUSH-15 MIDGRIT 3 LUG | |
| 05 | 56505940 | 1 | BRUSH PAD HOLDER 15 | |
| 06 | 56505195 | 1 | Padverschluss m. Spange | |
| 07 | 56505945 | 1 | DISC BRUSH-15 PROLITE 3 LUG | |
| 08 | 56505941 | 1 | DISC BRUSH-15 MAGNAGRIT 3 LUG | |
| 09 | 56505948 | 1 | Bürste, 15" Mid Grit 180 | |
| 10 | 56505943 | 1 | BRUSH AGLITE 15 | |
| 11 | 56505786 | 1 | Bürste Union Mix 430 mm | |
| 12 | 56505784 | 1 | Bürste PPN hart 430 mm | |
| 13 | 56505782 | 1 | Bürste Dyna Grit, mittel 400 mm | |
| 14 | 56505787 | 1 | Bürste Mid Grit 240, 430 mm | |
| 15 | 56505780 | 1 | Padhalter 430 mm | |
| 16 | 56505195 | 1 | Padverschluss m. Spange | |
| 17 | 56505785 | 1 | Bürste PPN weich 430 mm | |
| 18 | 56505781 | 1 | Bürste Magna Grit, hart 400 mm | |
| 19 | 56505788 | 1 | Bürste Mid Grit 180 | |
| 20 | 56505783 | 1 | Bürste Aglite, weich 400 mm | |
| 21 | 56505806 | 1 | Bürste Union Mix | |
| 22 | 56505804 | 1 | Bürste Prolene 14" | |
| 23 | 56505802 | 1 | Bürste Sica mittel, Dyna Grit 360 mm | |
| 24 | 56505807 | 1 | Bürste Sica weich, Grit 240 | |
| 25 | 56505800 | 1 | Padhalter 14" | |
| 26 | 56505195 | 1 | Padverschluss m. Spange | |
| 27 | 56505805 | 1 | Bürste PPN weich Prolite | |
| 28 | 56505801 | 1 | Bürste Sica hart, Magna Grit 46 | |
| 29 | 56505808 | 1 | Bürste Sica, Grit 180 | |
| 30 | 56505803 | 1 | Bürste Sica weich 14" | |



| Pos. | Artikel-Nr. | Menge | Variante | Notes |
|------|-------------|-------|--------------------------------|-------|
| 00 | 56501005 | 2 | ANTI-FREEZE | |
| 01 | 56002769 | 1 | Stopmutter 3/8-16 | |
| 02 | 56409463 | 1 | Clamp, 1.25 Hose support | |
| 03 | 56440213 | 2 | Schlauchbride | |
| 04 | 56001854 | 2 | SCHRAUBE HEX HD1/4-20X.50 | |
| 05 | 56001895 | 2 | SCR HEX HD 1/2-13 X 1.00 | |
| 06 | 56002098 | 3 | Scheibe | |
| 07 | 56002663 | 1 | SCR HEX HD 3/8-16x1.00 | |
| 08 | 56009019 | 2 | Schraube 1/4-20x.38 | |
| 09 | 56009033 | 2 | Schraube 1/4-20X1 2HP 5 | |
| 10 | 56305853 | 1 | HEAT SHIELD | |
| 11 | 56305933 | 1 | RADIATOR ASSEMBLY | [1] |
| 11 | 56304638 | 1 | RADIATOR ASSEMBLY | [2] |
| 12 | 56304795 | 1 | ENGINE ASSY DIESEL | [3] |
| 13 | 56304904 | 1 | Lufffilter kpl. f. CR1200 | [4] |
| 14 | 56305241 | 1 | Schlauch geformt | |
| 15 | 56305711 | 1 | DOOR WELDMENT | [5] |
| 15 | 56305436 | 1 | Tür, hinten links | [6] |
| 16 | 56305858 | 1 | DIESEL FUEL ASSEMBLY 60 | [7] |
| 16 | 56305451 | 1 | DIESEL FUEL ASSEMBLY | [8] |
| 17 | 56305665 | 1 | TUBE WELDMENT | [3] |
| 18 | 56305671 | 1 | BELT GUARD WELDMENT | |
| 19 | 56305689 | 1 | Dieselabgasanlage | |
| 20 | 56441511 | 1 | BATTERY 12V 26AH WET | [9] |
| 21 | 56304843 | 1 | CIRCUIT BREAKER PANEL ASSEMBLY | |
| 22 | 56305485 | 1 | Bedienfeld kpl. f. | |
| 23 | 56418471 | 1 | Verschluss zu CR 1300 | |
| 24 | 56416454 | 2 | Scharnier | |
| 25 | 56002155 | 2 | SCR HEX 1/4-20 X .75 | |
| 26 | 56002840 | 3 | Nut 1/4 20 | |
| 27 | 56305967 | 1 | BRACKET BELT GUARD | [4] |
| 28 | 56478461 | 1 | ANZEIGEGERAET | |

Part Notes:

- [1] - after SN 1780552
- [2] - before SN 1780553
SEE PI 2017-002
- [3] - SEE PI 2017-002
- [4] - EXPIRED NO REPLACEMENT
- [5] - 43" models
NO LONGER AVAILABLE
- [6] - 48" and 54" models
- [7] - 43" models
SEE PI 2017-002
- [8] - 48" and 54" models
EXPIRED NO REPLACEMENT
- [9] - Machine outphased 2006
NOT FOR SALE VIA EDC



Resource notes:

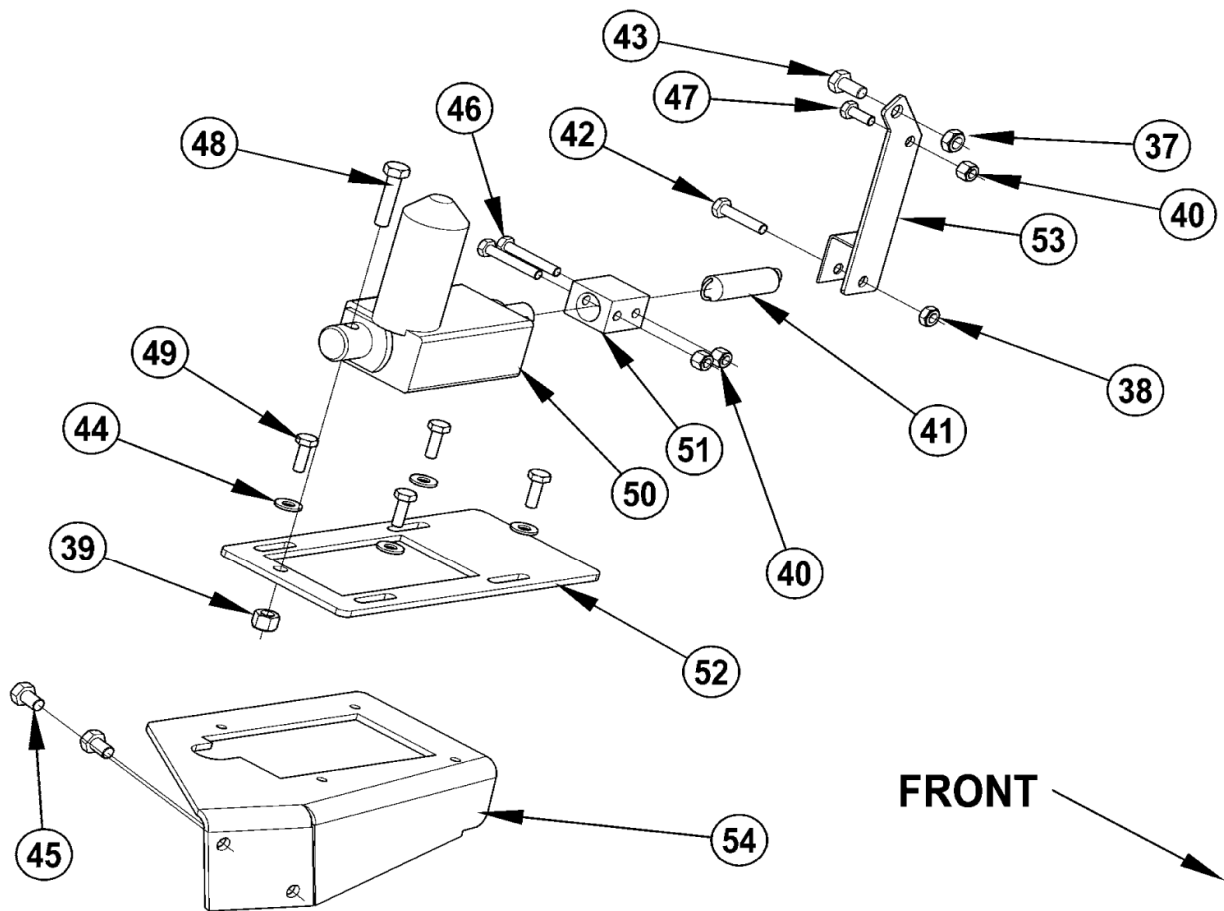
NOTE 1: Items 28 & 29 have changed part numbers. The new parts are identical to the previous parts except the orientation of the mounting screws for item 29 have been flipped 180 degrees. Both of these items need to be ordered together to replace either of the previous parts (56305700 or 56305778). If you only need to replace item 28 you could reuse the old item 29 by drilling out the 4 threaded holes to clearance holes. First machine with this change is serial number 1818552.

| Pos. | Artikel-Nr. | Menge | Variante | Notes |
|------|-------------|-------|-----------------------------|-------|
| 00 | 56419107 | 2 | Auspuffdichtung | [1] |
| 00 | 56419307 | 1 | Dieselfiltersieb CR 1400 | |
| 00 | 56419090 | 1 | Öldruck-Schalter | |
| 00 | 56305867 | 1 | Lichtmaschine | [2] |
| 00 | 56419446 | 1 | Magnetventil, Kit | [3] |
| 00 | 56419089 | 1 | Starter | |
| 00 | 56305873 | 1 | Sender, Hydraulik Öl Temp | |
| 00 | 56305866 | 1 | Keilriemen | [4] |
| 00 | 56419086 | 1 | Dieselfilter | |
| 00 | 56419088 | 1 | Thermostat | |
| 00 | 56482659 | 1 | Motoroelfilter | |
| 00 | 56304348 | 1 | Stellmotor | |
| 00 | 56419091 | 1 | Temperaturschalter | |
| 00 | 56744580 | 1 | PLUG BRASS E00040 | |
| 00 | 56418793 | 1 | Dieselpumpe | |
| 00 | 56463590 | 1 | Glühzeitsteuergerät | |
| 01 | 56002769 | 3 | Stopmutter 3/8-16 | |
| 02 | 56002826 | 2 | NUT HEX NYLOC THIN 5/16-1 | |
| 03 | 56002769 | 1 | Stopmutter 3/8-16 | |
| 04 | 56112771 | 1 | CLAMP HOSE SAE 10 | |
| 05 | 56219932 | 2 | Briede | |
| 06 | 56329145 | 6 | BRIEDE | |
| 07 | 56418227 | 3 | Schlauch radiator unten, | |
| 08 | 56478685 | 4 | Silentblock CR 1200 | |
| 09 | 56001873 | 1 | SCR HEX 3/8-16 X 2.50 | |
| 10 | 56001879 | 3 | U-SCHEIBEN | |
| 11 | 56003763 | 1 | SCR HEX M10-1.5 X 75MM | |
| 12 | 56002221 | 2 | SCR HEX HD 5/16-18 X 1.00 | |
| 13 | 56002983 | 4 | SCR HEX 1/2-13x2.00 | |
| 14 | 56003083 | 3 | Radbolzen | |
| 15 | 56003178 | 1 | Schraube HEX THD TO HD | |
| 16 | 56003180 | 8 | Schraube | |
| 17 | 56003442 | 4 | SCR HEX LOC M10-1.50X20MM | |
| 18 | 56003685 | 8 | U.- Scheibe | |
| 19 | 56009115 | 4 | WSH FLT HARDENED .594X1. | |
| 20 | 56304487 | 1 | REAR ENGINE MOUNT | |
| 21 | 56304550 | 1 | ENGINE DIESEL | |
| 22 | 56304579 | 1 | TUBE | [5] |
| 22 | 56305950 | 1 | TUBE WELDMENT | [6] |
| 23 | 56492259 | 1 | HOSE FUEL LINE E00556 | |
| 24 | 56304727 | 1 | Stellmotor f. CR1200D | [7] |
| 25 | 56305975 | 1 | TUBE WELDMENT | [6] |
| 25 | 56304797 | 1 | TUBE WATER | [8] |
| 26 | 56305219 | 1 | PLATE | [9] |
| 26 | 56305909 | 1 | PLATE | [10] |
| 27 | 56305497 | 1 | FRONT ENGINE MOUNT DIESEL | |
| 28 | 56305955 | 1 | Adapter | [11] |
| 29 | 56305954 | 1 | Halterung für Auspuffrohr | [11] |
| 30 | 56305838 | 1 | BARB HOSE FEMALE | |
| 30 | 56305836 | 1 | OIL DRAIN HOSE ASSEMBLY | |
| 30 | 56305837 | 1 | HOSE OIL DRAIN | |
| 30 | 56744580 | 1 | PLUG BRASS E00040 | |
| 31 | 56305839 | 1 | BARB MALE METRIC | |
| 32 | 56305845 | 1 | PLUG METRIC M22 X 1.5 | |
| 33 | 56305862 | 1 | Klammer | |
| 34 | 56305864 | 1 | ALTERNATOR BRACKET WELDMENT | |
| 35 | 56305866 | 1 | Keilriemen | |
| 36 | 56304727 | 1 | Stellmotor f. CR1200D | |
| 36 | 56305867 | 1 | Lichtmaschine | |

| Pos. | Artikel-Nr. | Menge | Variante | Notes |
|------|-------------|-------|---------------------------|-------|
| 55 | 56305873 | 1 | Sender, Hydraulik Öl Temp | |
| 56 | 56003389 | 1 | MutterHEX NYL LOC M8-1.25 | |
| 57 | 56001939 | 1 | Flachdichtung 5/16 | |
| 58 | 56003179 | 2 | Schraube HEX THD/HD M8-1, | |
| 59 | 56305926 | 1 | DIPSTICK BRACKET | |
| 60 | 56756364 | 1 | Schlauchklemme | |
| 61 | 56481658 | 1 | ELBOW 1/8X45 BRASS E00029 | |
| 62 | 56305619 | 1 | Öldruckschalter | |
| 63 | 56009033 | 2 | Schraube 1/4-20X1 2HP 5 | |
| 64 | 56304549 | 1 | | |
| 65 | 56756364 | 1 | Schlauchklemme | |
| 66 | 56003406 | 1 | Mutter HEX NYL LOC | |
| 67 | 56003764 | 1 | SCR HEX M6-1 X 55MM | |

Part Notes:

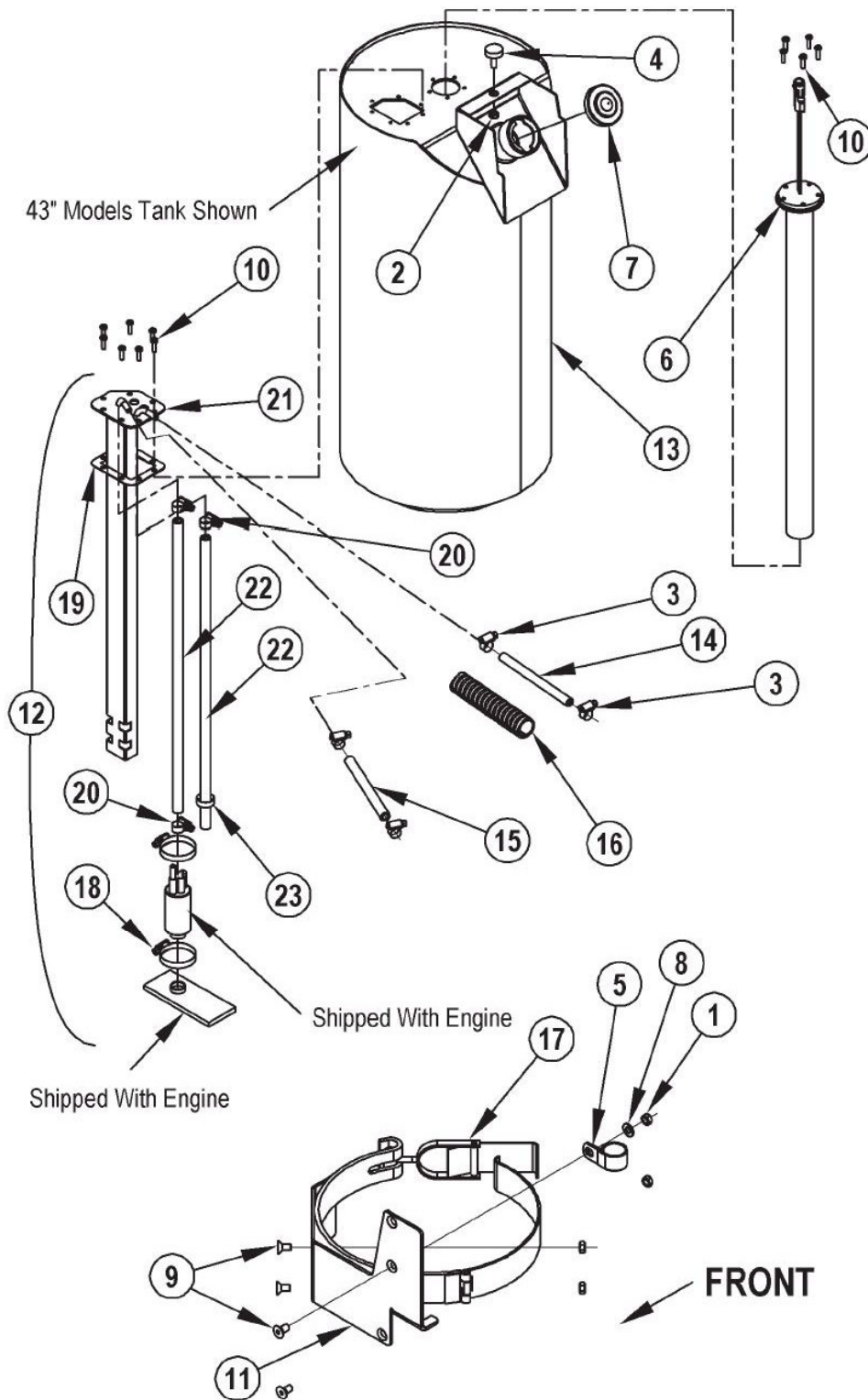
- [1] - Shipped with the engine.
- [2] - optional
- [3] - EXPIRED NO REPLACEMENT
- [4] - optional, required for 56305867
- [5] - before SN 1780553
- [6] - after SN 1780552
- [7] - 37-54
- [8] - before SN 1780553
SEE PI 2017-002
- [9] - before SN 1758211
SEE PI 2017-002
- [10] - after SN 1758210
SEE PI 2017-002
- [11] - NOTE 1



| Pos. | Artikel-Nr. | Menge | Variante | Notes |
|------|-------------|-------|---------------------------|-------|
| 00 | 56304727 | 1 | Stellmotor f. CR1200D | [1] |
| 37 | 56002826 | 1 | NUT HEX NYLOC THIN 5/16-1 | |
| 38 | 56002840 | 1 | Nut 1/4 20 | |
| 39 | 56003389 | 1 | MutterHEX NYL LOC M8-1.25 | |
| 40 | 56003403 | 3 | Mutter M6 x 1.00 | |
| 41 | 56365068 | 1 | SPRING EXT .62X2.50CA333G | |
| 42 | 56001878 | 1 | SCR HEX HD 1/4-20 X 1.25 | |
| 43 | 56002035 | 1 | 002721X HD 5/16-18X.62 | |
| 44 | 56002098 | 4 | Scheibe | |
| 45 | 56002923 | 2 | SCR HEX LOC 5/16-18 X .50 | |
| 46 | 56003167 | 2 | Sechskantschraube M6x40 | |
| 47 | 56003174 | 1 | Schraube | |
| 48 | 56003361 | 1 | SCR HEX HD M8 X 35.0 | |
| 49 | 56009018 | 4 | SCHRAUBE 1/4-20X3/4 HP5 | |
| 50 | 56304348 | 1 | Stellmotor | |
| 51 | 56304724 | 1 | BLOCK | |
| 52 | 56304725 | 1 | PLATE | |
| 53 | 56305827 | 1 | LEVER WELDMENT | |
| 54 | 56305870 | 1 | BRACKET THROTTLE ACTUATOR | |

Part Notes:

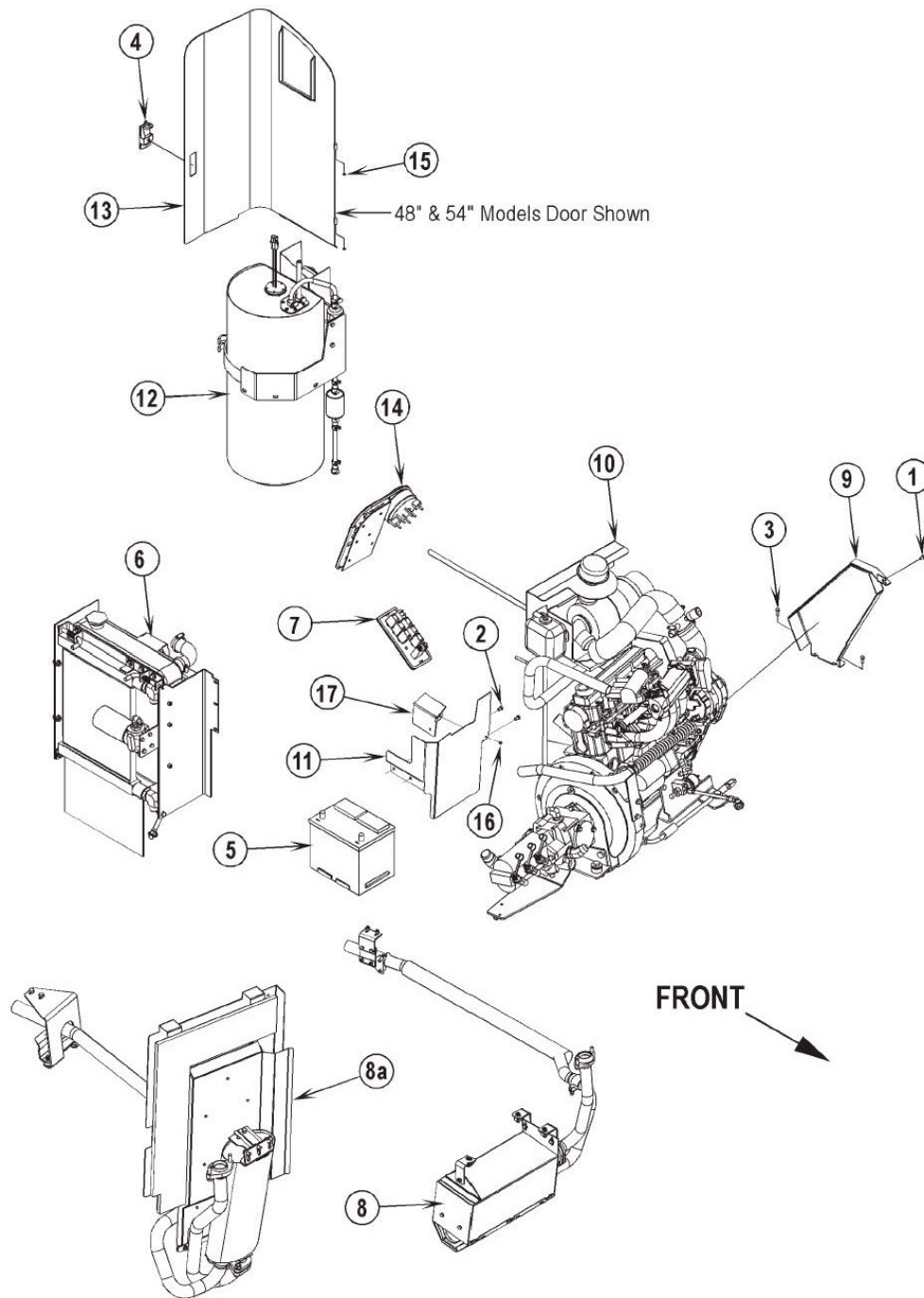
[1] - 37-54



| Pos. | Artikel-Nr. | Menge | Variante | Notes |
|------|-------------|-------|--------------------------------|-------|
| 00 | 56305451 | 1 | DIESEL FUEL ASSEMBLY | [1] |
| 00 | 56305858 | 1 | DIESEL FUEL ASSEMBLY 60 | [2] |
| 01 | 56002769 | 4 | Stopmutter 3/8-16 | |
| 02 | 56009086 | 1 | NUT, HEX JAM 5/16-18 | [3] |
| 03 | 56756364 | 4 | Schlauchklemme | |
| 04 | 56401783 | 1 | Anschlagschraube BR 700S | [3] |
| 05 | 56409463 | 1 | Clamp, 1.25 Hose support | |
| 06 | 56455567 | 1 | Tanksensor | |
| 07 | 56478502 | 1 | CAP FUEL TANK RE442WC | |
| 08 | 56002063 | 1 | "U-Scheibe 3/8"" | |
| 09 | 56002748 | 1 | SCR FLT SOC 3/8-16 X .75 | |
| 10 | 56009209 | 7 | SCR PAN PHIL THDFORM10-24X1.00 | |
| 11 | 56304865 | 1 | WELDMENT PROPANE TANK BRACKET | |
| 12 | 56380454 | 1 | FUEL PUMP ASSEMBLY | [4] |
| 13 | 56305757 | 1 | FUEL TANK WELDMENT | [5] |
| 13 | 56305817 | 1 | GASOLINE TANK WELDMENT 4300 | [6] |
| 14 | 56305849 | 1 | FUEL LINE RETURN | |
| 15 | 56305850 | 1 | FUEL LINE INLET | |
| 16 | 56305851 | 1 | CONDUIT | |
| 17 | 56481997 | 1 | CLAMP | |
| 18 | 56329145 | 2 | BRIEDE | |
| 19 | 56305941 | 1 | WIRE ASSEMBLY | [7] |
| 19 | 56418795 | 1 | GASKET | |
| 20 | 56756364 | 3 | Schlauchklemme | |
| 21 | 56305453 | 1 | FUEL PUMP BRACKET WELDMENT | [8] |
| 22 | 56380453 | 2 | HOSE FUEL 30R10 | |
| 23 | 56325219 | 1 | CABLE TIE E00549 HC360C | |

Part Notes:

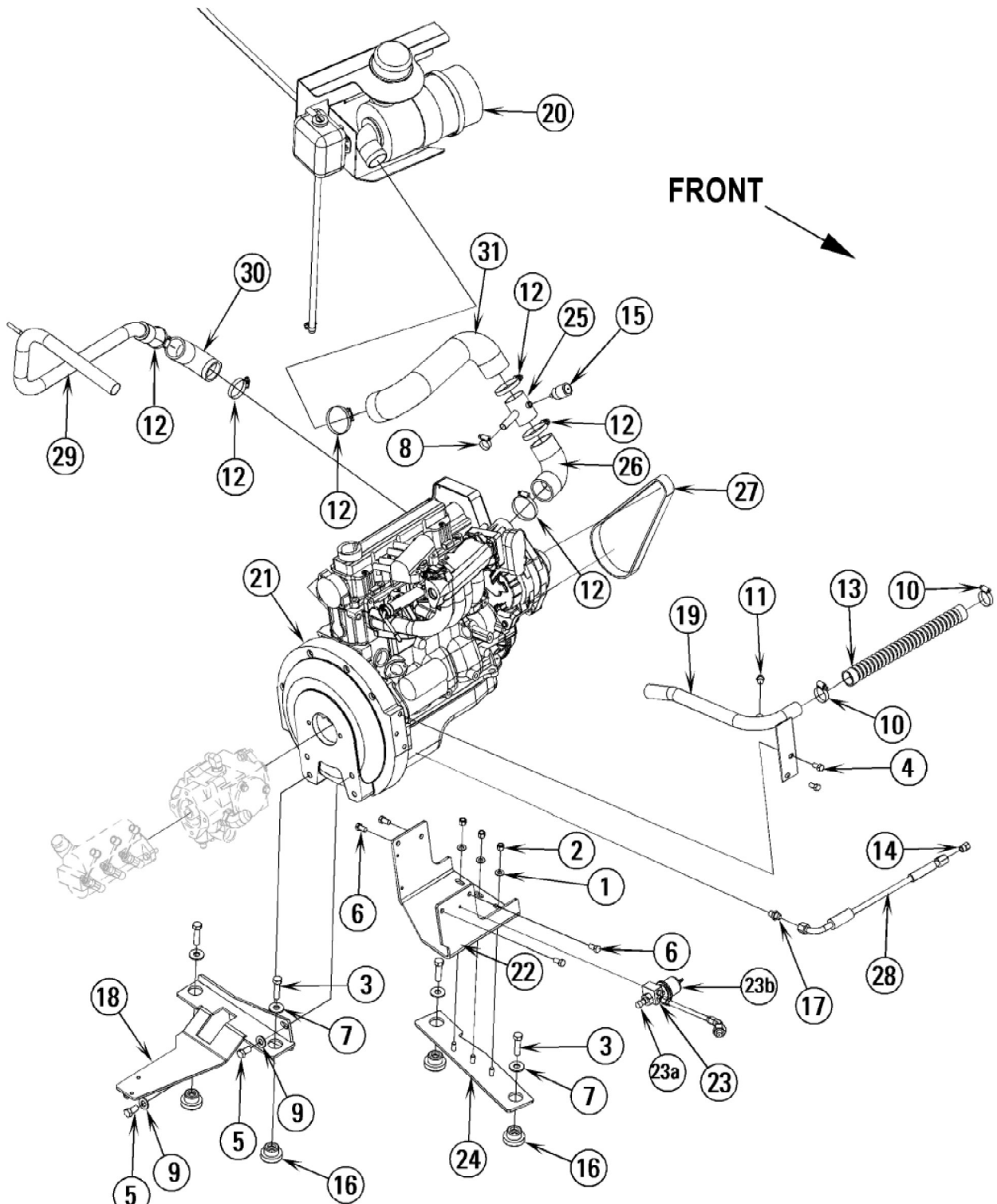
- [1] - 48" and 54" models / 1-17, except 2 and 4
EXPIRED NO REPLACEMENT
- [2] - 43" models / 1-17
SEE PI 2017-002
- [3] - 43" models only
- [4] - 18-23
- [5] - 48" and 54" models
- [6] - 43" models
EXPIRED NO REPLACEMENT
- [7] - Not Shown
- [8] - EXPIRED ON 9/12/2008



| Pos. | Artikel-Nr. | Menge | Variante | Notes |
|------|-------------|-------|--|-------|
| 01 | 56001854 | 1 | SCHRAUBE HEX HD1/4-20X.50 | |
| 02 | 56009033 | 3 | Schraube 1/4-20X1 2HP 5 | |
| 03 | 56009018 | 2 | SCHRAUBE 1/4-20X3/4 HP5 | |
| 04 | 56418471 | 1 | Verschluss zu CR 1300 | |
| 05 | 56441511 | 1 | BATTERY 12V 26AH WET | [1] |
| 06 | 56305933 | 1 | RADIATOR ASSEMBLY | [2] |
| 06 | 56304638 | 1 | RADIATOR ASSEMBLY | [3] |
| 07 | 56304843 | 1 | CIRCUIT BREAKER PANEL ASSEMBLY | |
| 08 | 56305017 | 1 | EXHAUST ASSEMBLY | [4] |
| 08A | 56305959 | 1 | Auspuffanlage kpl. | [5] |
| 09 | 56305027 | 1 | WELDMENT BELT GUARD | [6] |
| 10 | | 1 | Engine, GM 1.6L Assembly - Not available | [7] |
| 11 | 56305899 | 1 | HEAT SHIELD | [6] |
| 12 | 56305818 | 1 | GASOLINE FUEL TANK ASSEMBLY | [8] |
| 12 | 56305424 | 1 | GASOLINE FUEL ASSEMBLY | [9] |
| 13 | 56305711 | 1 | DOOR WELDMENT | [8] |
| 13 | 56305436 | 1 | Tür, hinten links | [10] |
| 14 | 56305485 | 1 | Bedienfeld kpl. f. | |
| 15 | 56416454 | 2 | Scharnier | |
| 16 | 56009063 | 1 | SCR HEX THD FORM 10-24X .25 | |
| 17 | 56305900 | 1 | HEAT SHIELD | |
| 17 | 56501005 | 2 | ANTI-FREEZE | [11] |

Part Notes:

- [1] - Machine outphased 2006
NOT FOR SALE VIA EDC
- [2] - after SN1780552
- [3] - before SN1780553
SEE PI 2017-002
- [4] - non certified and before SN1758211
- [5] - After SN1758210
NO LONGER AVAILABLE
- [6] - SEE PI 2017-002
- [7] - Engine, GM 1.6L Assembly - Not available
- [8] - 43" models
NO LONGER AVAILABLE
- [9] - 48" and 54" models
EXPIRED NO REPLACEMENT
- [10] - 48" and 54" models
- [11] - Not Shown



Resource notes:

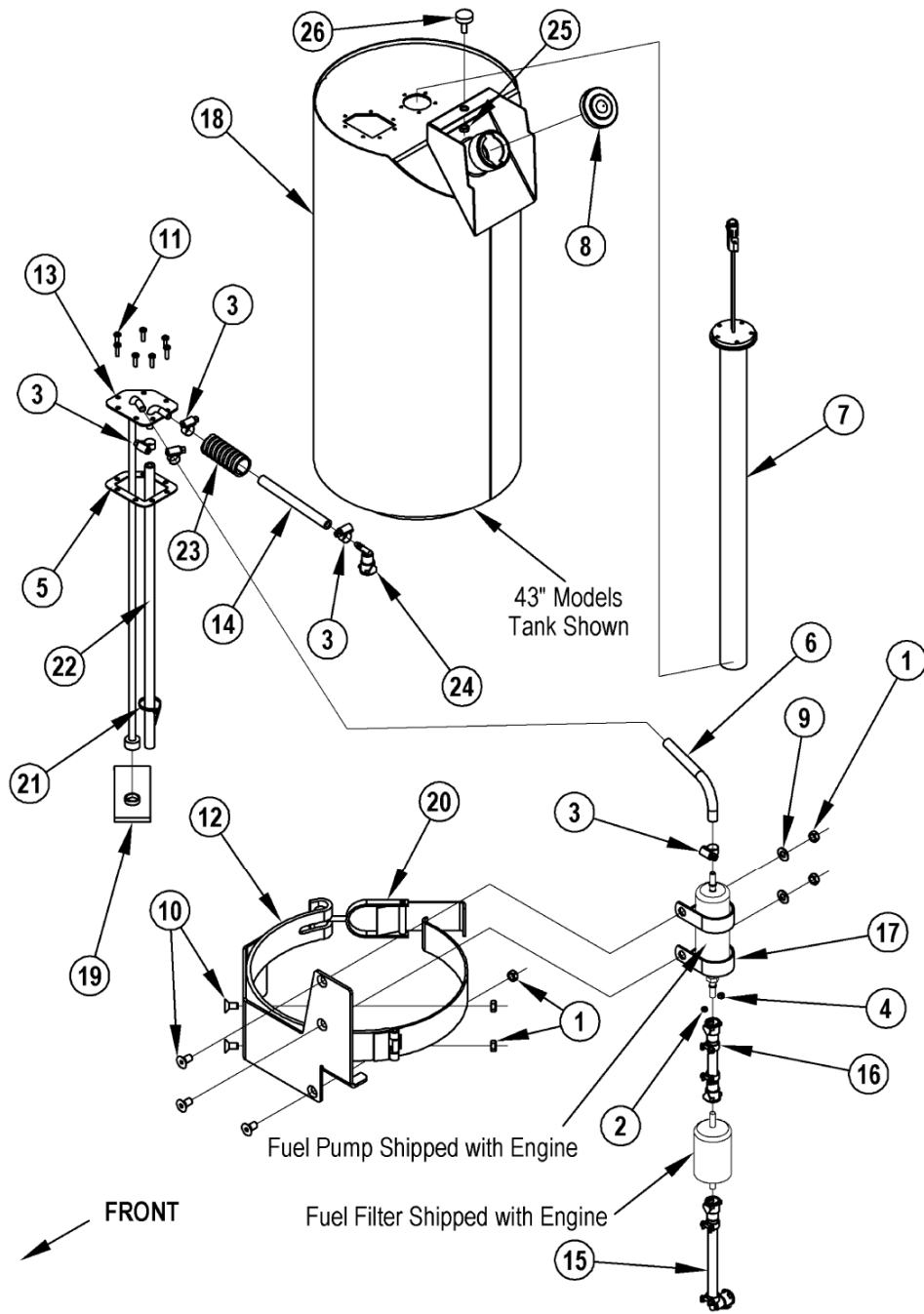
NOTE 1: Machines after SN 1734015 are built with the 2004 certified engine.

| Pos. | Artikel-Nr. | Menge | Variante | Notes |
|------|-------------|-------|------------------------------|-------|
| 00 | 56305242 | 1 | Keilriemen POLY VEE | [1] |
| 00 | 56305404 | 1 | Crank Pos Sensor | [1] |
| 00 | 56305405 | 1 | Map Sensor | [2] |
| 00 | 56305985 | 1 | Kabelbaum | [3] |
| 00 | 56305273 | 1 | Lichtmaschine 70A | [4] |
| 00 | 56305549 | 1 | Dichtung Auspuffanlage | [1] |
| 00 | 56305413 | 1 | PRESSURE REGULATOR PETROL | [5] |
| 00 | 56304426 | 1 | BOSCH THROTTLE ACUATOR | [3] |
| 00 | 56305272 | 1 | Öl-Filter Patrone | [1] |
| 00 | 56305987 | 1 | PCV Ventil | [6] |
| 00 | 56305596 | 1 | Stecker/Kabel-Kit | [1] |
| 00 | 56305411 | 1 | Thermostat kit | [1] |
| 00 | 56304794 | 1 | Zündspule | [1] |
| 00 | 56304425 | 1 | ENGINE CONTROL MODULE GM 1.6 | [7] |
| 00 | 56305098 | 1 | Öldruckschalter | [1] |
| 00 | 56109033 | 1 | Gashebel gehäuse | [6] |
| 00 | 56305274 | 4 | Petrol Injector | [6] |
| 00 | 56305990 | 1 | ECU PETROL | [6] |
| 00 | 56305412 | 1 | Benzinfilter | [1] |
| 00 | 56305271 | 1 | Abdichtung Abgas | [1] |
| 00 | 56305401 | 1 | PUMP DRIVE PLATE | [1] |
| 00 | 56305405 | 1 | Map Sensor | [6] |
| 00 | 56305986 | 1 | Wasserpumpe | [1] |
| 00 | 56305062 | 1 | Kraftstoffpumpe (Benzin) | [6] |
| 00 | 56305107 | 1 | OXYGEN SENSOR | [6] |
| 00 | 56305403 | 1 | Sensor Kühlwasser | [1] |
| 00 | 56305275 | 1 | Anlasser Motor GM 1,6L | [8] |
| 00 | 56305979 | 4 | Spark Plug | [1] |
| 00 | 56305985 | 1 | Kabelbaum | [9] |
| 01 | 56002063 | 3 | "U-Scheibe 3/8"" | |
| 02 | 56002769 | 3 | Stopmutter 3/8-16 | |
| 03 | 56002983 | 4 | SCR HEX 1/2-13x2.00 | |
| 04 | 56003079 | 2 | SCR HEX HD LOC 3/8-16X1 | |
| 05 | 56003083 | 2 | Radbolzen | |
| 06 | 56003442 | 4 | SCR HEX LOC M10-1.50X20MM | |
| 07 | 56009115 | 4 | WSH FLT HARDENED .594X1. | |
| 08 | 56112771 | 1 | CLAMP HOSE SAE 10 | |
| 09 | 56001879 | 2 | U-SCHEIBEN | |
| 10 | 56329145 | 2 | BRIEDE | |
| 11 | 56366277 | 1 | PLUG PIPE 1/4 BLK E00040 | [10] |
| 11 | 56744580 | 1 | PLUG BRASS E00040 | [11] |
| 12 | 56440213 | 6 | Schlauchbride | |
| 13 | 56456304 | 1 | Kühlerschlauch 15" | |
| 14 | 56462247 | 1 | PLUG-6 E00551 | |
| 15 | 56478461 | 1 | ANZEIGEGERAET | |
| 16 | 56478685 | 4 | Silentblock CR 1200 | |
| 17 | 56900300 | 1 | CONN.MALE METRIC | |
| 18 | 56304625 | 1 | WELDMENT REAR MOUNT | |
| 19 | 56305946 | 1 | TUBE WELDMENT | [12] |
| 19 | 56304634 | 1 | WELDMENT TUBE | [10] |
| 20 | 56304904 | 1 | Luftfilter kpl. f. CR1200 | [13] |
| 21 | 56305007 | 1 | ENGINE GM 1.6L GASOLINE | [14] |
| 21 | 56111874 | 1 | ENGINE-GM 1.6L PSI PETROL | |
| 22 | 56305910 | 1 | ENGINE MOUNT FRONT | [15] |
| 22 | 56305084 | 1 | ENGINE MOUNT FRONT | [16] |
| 23 | 56305094 | 1 | OIL SWITCH ASSEMBLY | |
| 23A | 56305098 | 1 | Öldruckschalter | |
| 23B | 56305619 | 1 | Öldruckschalter | |
| 24 | 56305219 | 1 | PLATE | [16] |

| Pos. | Artikel-Nr. | Menge | Variante | Notes |
|------|-------------|-------|---------------------|-------|
| 24 | 56305909 | 1 | PLATE | [17] |
| 25 | 56305240 | 1 | TUBE WELDMENT | |
| 26 | 56305241 | 1 | Schlauch geformt | |
| 27 | 56305242 | 1 | Keilriemen POLY VEE | |
| 28 | 56305374 | 1 | HOSE ASSEMBLY | |
| 29 | 56305390 | 1 | TUBE WELDMENT | [18] |
| 29 | 56305948 | 1 | TUBE WELDMENT | [11] |
| 30 | 56305458 | 1 | HOSE FORMED | |
| 31 | 56305113 | 1 | Kühlerschlauch | |

Part Notes:

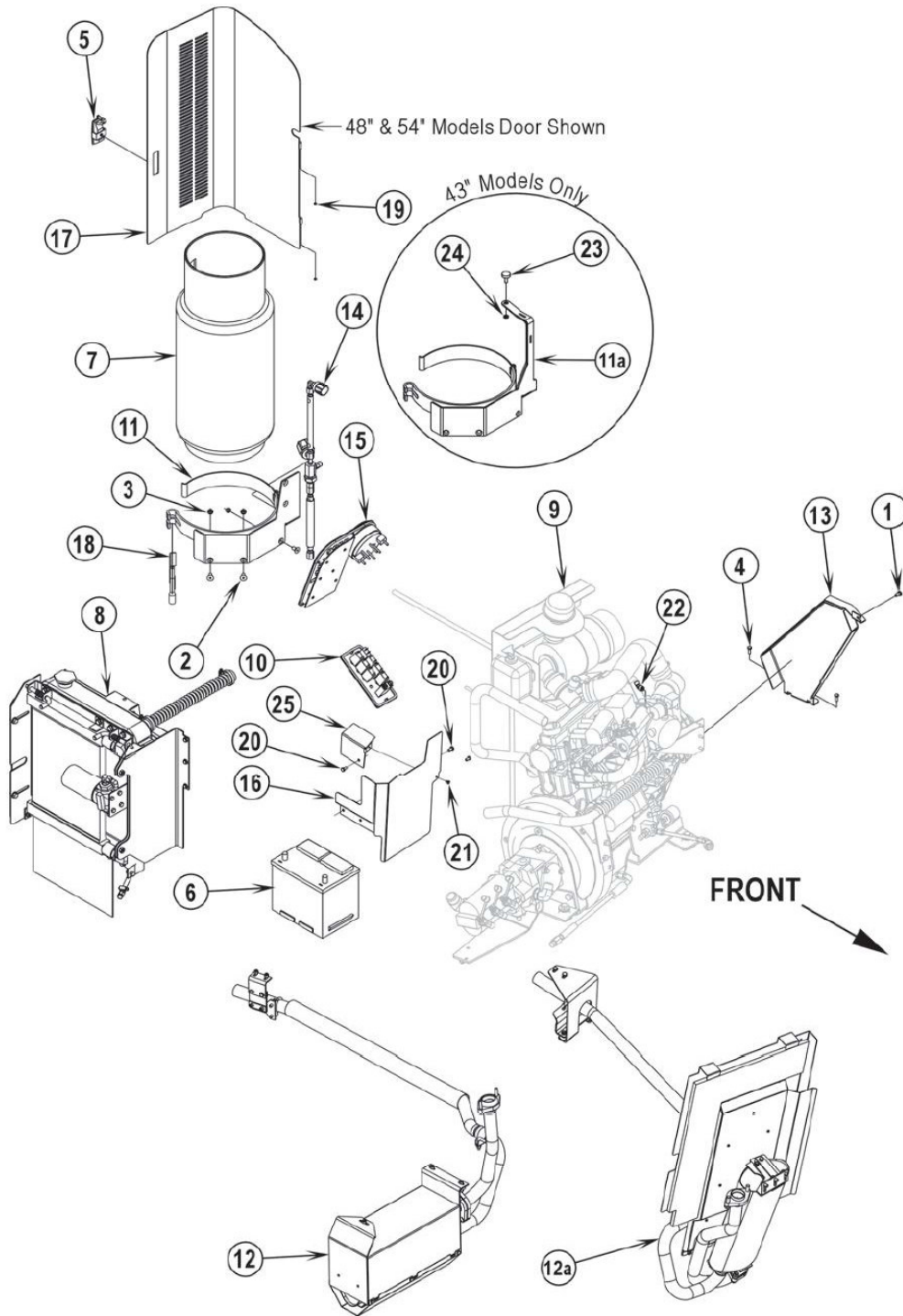
- [1] - Not Shown
- [2] - non certified models only - Not Shown
- [3] - non certified models only - Not Shown
EXPIRED NO REPLACEMENT
- [4] - Not Shown
EXPIRED NO REPLACEMENT
- [5] - certified models only - Not Shown
NO LONGER AVAILABLE
- [6] - certified models only - Not Shown
- [7] - non certified models only - Not Shown
SEE PI 2017-002
- [8] - After TSBUS2006-921 - Not Shown
- [9] - certified models only - Not Shown
EXPIRED NO REPLACEMENT
- [10] - before SN1780553
SEE PI 2017-002
- [11] - after SN1780552
- [12] - after SN1780552
SEE PI 2017-002
- [13] - EXPIRED NO REPLACEMENT
- [14] - non certified
SEE PI 2017-002
- [15] - after SN1758210
- [16] - before SN1758211
SEE PI 2017-002
- [17] - after SN1758210 (not shown)
SEE PI 2017-002
- [18] - before SN1780553
GUARANTEE DATE EXPIRED



| Pos. | Artikel-Nr. | Menge | Variante | Notes |
|------|-------------|-------|--------------------------------|-------|
| | 56305424 | 1 | GASOLINE FUEL ASSEMBLY | [1] |
| | 56305818 | 1 | GASOLINE FUEL TANK ASSEMBLY | [2] |
| 01 | 56002769 | 5 | Stopmutter 3/8-16 | |
| 02 | 56003351 | 1 | NUT HEX M4 | |
| 03 | 56756364 | 5 | Schlauchklemme | |
| 04 | 56003364 | 1 | NUT HEX M5 | |
| 05 | 56418795 | 1 | GASKET | |
| 06 | 56418822 | 1 | HOSE FUEL LINE E00556 | [3] |
| 07 | 56455567 | 1 | Tanksensor | |
| 08 | 56478502 | 1 | CAP FUEL TANK RE442WC | |
| 09 | 56002063 | 2 | "U-Scheibe 3/8"" | |
| 10 | 56002748 | 5 | SCR FLT SOC 3/8-16 X .75 | |
| 11 | 56009209 | 7 | SCR PAN PHIL THDFORM10-24X1.00 | |
| 12 | 56304865 | 1 | WELDMENT PROPANE TANK BRACKET | |
| 13 | 56305425 | 1 | ADAPTOR WELDMENT | [3] |
| 14 | 56305456 | 1 | FUEL LINE RETURN | [3] |
| 15 | 56305486 | 1 | HOSE ASSEMBLY | [3] |
| 15 | 56305445 | 1 | HOSE FUEL PRESSURE | [4] |
| 15 | 56305446 | 2 | COUPLER FUEL LINE | [5] |
| 15 | 56305423 | 2 | HOSE CLAMP PRESSURE | [5] |
| 16 | 56305487 | 1 | HOSE ASSEMBLY | [3] |
| 16 | 56305459 | 1 | HOSE FUEL PRESSURE | [4] |
| 16 | 56305423 | 2 | HOSE CLAMP PRESSURE | [5] |
| 16 | 56305446 | 2 | COUPLER FUEL LINE | [5] |
| 17 | 56305492 | 2 | CLAMP P | |
| 18 | 56305757 | 1 | FUEL TANK WELDMENT | [6] |
| 18 | 56305817 | 1 | GASOLINE TANK WELDMENT 4300 | [7] |
| 19 | 56419307 | 1 | Dieselfiltersieb CR 1400 | |
| 20 | 56481997 | 1 | CLAMP | |
| 20 | 56305790 | 1 | WIRE ASM PIGTAIL | [5] |
| 21 | 56325219 | 1 | CABLE TIE E00549 HC360C | |
| 22 | 56380453 | 1 | HOSE FUEL 30R10 | |
| 23 | 56305953 | 1 | CONDUIT | [3] |
| 24 | 56305753 | 1 | BARBED ELBOW FUEL LINE | |
| 25 | 56009086 | 1 | NUT, HEX JAM 5/16-18 | [8] |
| 26 | 56401783 | 1 | Anschlagschraube BR 700S | [8] |

Part Notes:

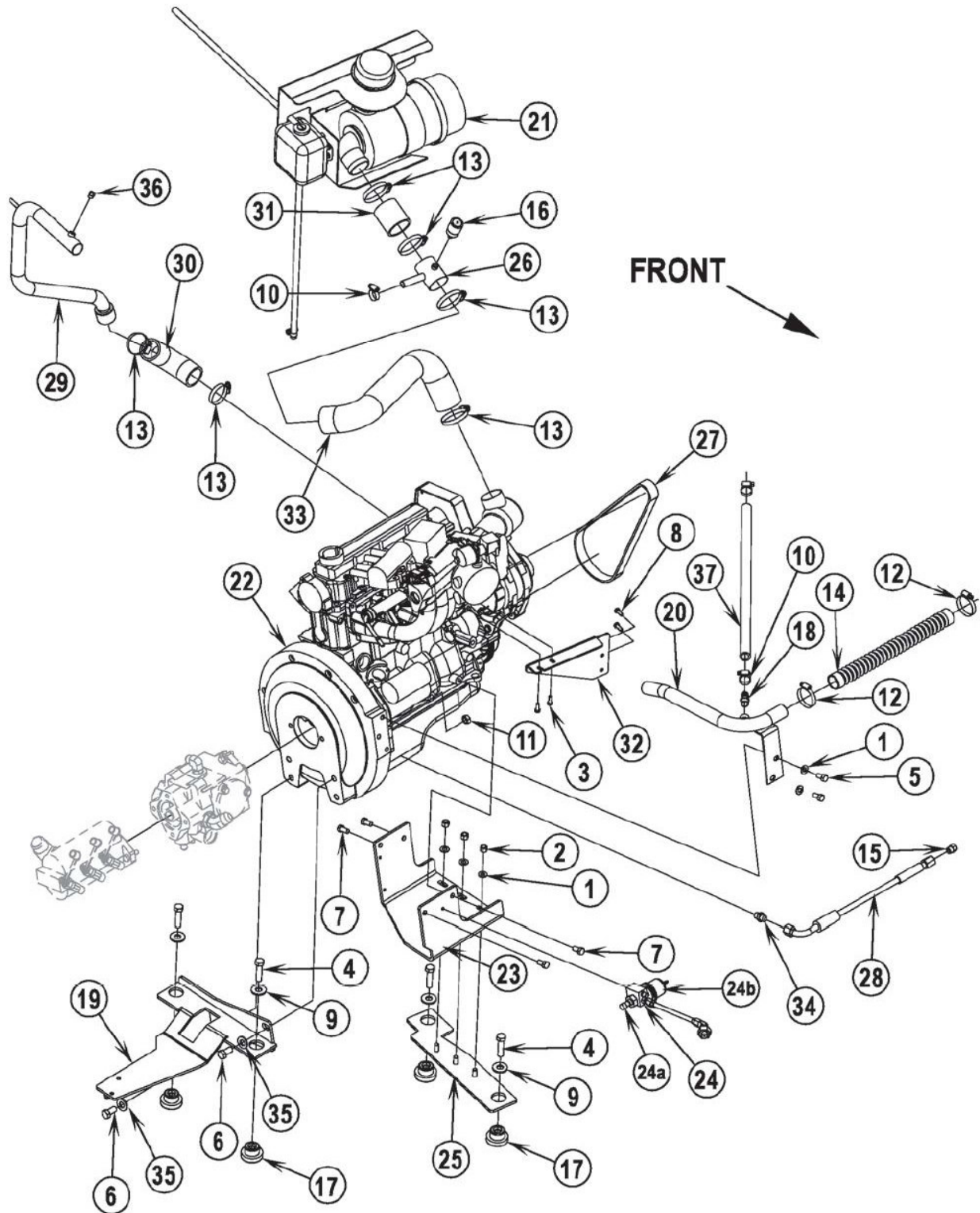
- [1] - 48" and 54" models / 1-24
EXPIRED NO REPLACEMENT
- [2] - 43" models / 1-26
NO LONGER AVAILABLE
- [3] - SEE PI 2017-002
- [4] - Not Shown
SEE PI 2017-002
- [5] - Not Shown
- [6] - 48" and 54" models
- [7] - 43" models
EXPIRED NO REPLACEMENT
- [8] - 43" models



| Pos. | Artikel-Nr. | Menge | Variante | Notes |
|------|-------------|-------|--|-------|
| 00 | 56501005 | 2 | ANTI-FREEZE | [1] |
| 01 | 56001854 | 1 | SCHRAUBE HEX HD1/4-20X.50 | |
| 02 | 56002748 | 3 | SCR FLT SOC 3/8-16 X .75 | |
| 03 | 56002769 | 3 | Stopmutter 3/8-16 | |
| 04 | 56009018 | 2 | SCHRAUBE 1/4-20X3/4 HP5 | |
| 05 | 56418471 | 1 | Verschluss zu CR 1300 | |
| 06 | 56441511 | 1 | BATTERY 12V 26AH WET | [2] |
| 07 | 56456590 | 1 | Gas Tank | |
| 08 | 56304638 | 1 | RADIATOR ASSEMBLY | [3] |
| 08 | 56305933 | 1 | RADIATOR ASSEMBLY | [4] |
| 09 | | 1 | Engine, GM 1.6L Assembly - Not available | [5] |
| 10 | 56304843 | 1 | CIRCUIT BREAKER PANEL ASSEMBLY | |
| 11 | 56304865 | 1 | WELDMENT PROPANE TANK BRACKET | [6] |
| 11A | 56305789 | 1 | PROPANE BRACKET WELDMENT | [7] |
| 12 | 56305017 | 1 | EXHAUST ASSEMBLY | [8] |
| 12A | 56305959 | 1 | Auspuffanlage kpl. | [9] |
| 13 | 56305027 | 1 | WELDMENT BELT GUARD | [10] |
| 14 | 56305089 | 1 | Gasanschlußkit m. Filter | |
| 15 | 56305230 | 1 | PROPANE GAUGE PANEL ASSEMBLY | |
| 16 | 56305899 | 1 | HEAT SHIELD | [10] |
| 17 | 56305662 | 1 | PROPANE DOOR WELDMENT | [7] |
| 17 | 56305300 | 1 | DOOR WELDMENT PROPANE | [6] |
| 18 | 56481997 | 1 | CLAMP | |
| 19 | 56416454 | 2 | Scharnier | |
| 20 | 56009033 | 3 | Schraube 1/4-20X1 2HP 5 | |
| 21 | 56009063 | 1 | SCR HEX THD FORM 10-24X .25 | |
| 22 | 56456598 | 1 | Elbow 45 DEG | |
| 23 | 56401783 | 1 | Anschlagschraube BR 700S | [7] |
| 24 | 56009086 | 1 | NUT, HEX JAM 5/16-18 | [7] |
| 25 | 56305900 | 1 | HEAT SHIELD | |

Part Notes:

- [1] - Not Shown
- [2] - Machine outphased 2006
NOT FOR SALE VIA EDC
- [3] - before SN1780553
SEE PI 2017-002
- [4] - after SN1780552
- [5] - Engine, GM 1.6L Assembly - Not available
- [6] - 48" and 54" models
- [7] - 43" models
- [8] - non certified and before SN1804302
- [9] - after 1804301
NO LONGER AVAILABLE
- [10] - SEE PI 2017-002



Resource notes:

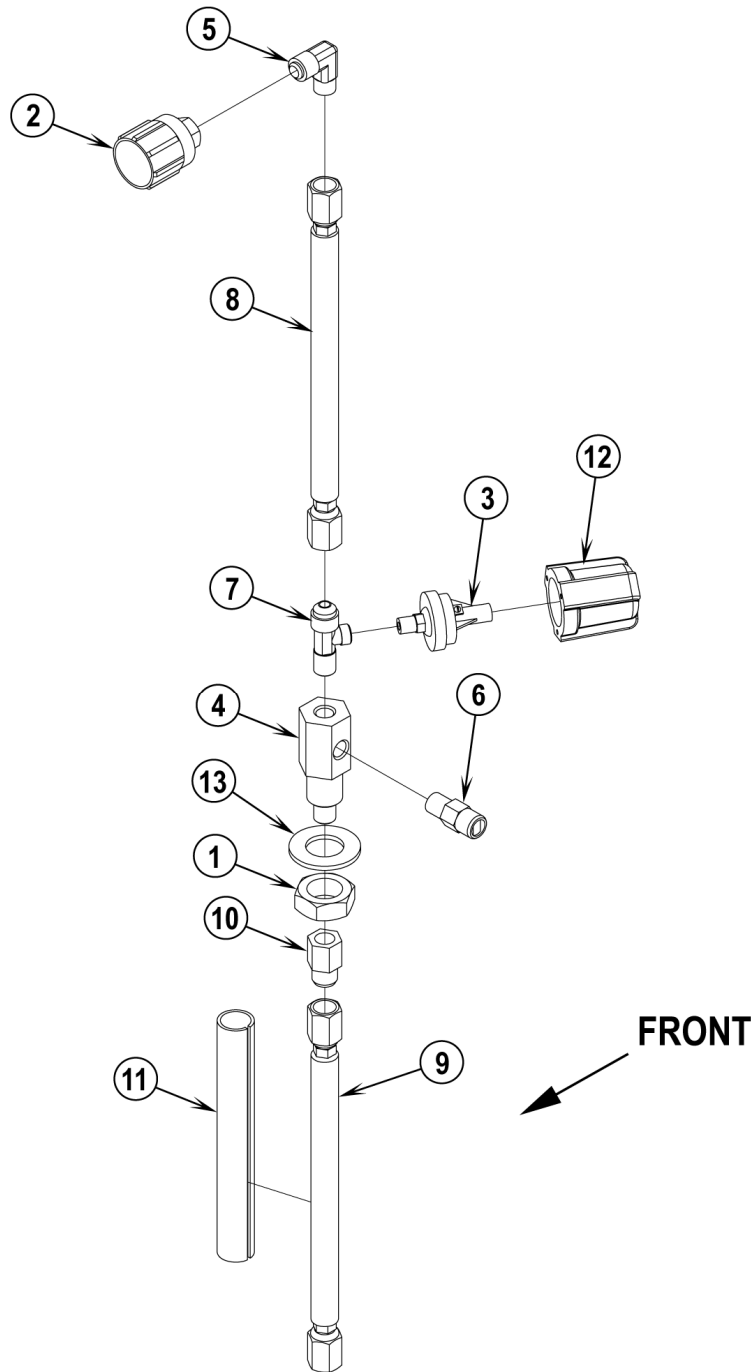
Note 1: Machines after SN 1734015 are built with the 2004 certified engine.

| Pos. | Artikel-Nr. | Menge | Variante | Notes |
|------|-------------|-------|------------------------------|-------|
| 00 | 56305242 | 1 | Keilriemen POLY VEE | [1] |
| 00 | 56305404 | 1 | Crank Pos Sensor | [1] |
| 00 | 56109033 | 1 | Gashebel gehäuse | [2] |
| 00 | 56305107 | 1 | OXYGEN SENSOR | [2] |
| 00 | 56305273 | 1 | Lichtmaschine 70A | [3] |
| 00 | 56305405 | 1 | Map Sensor | [2] |
| 00 | 56305408 | 1 | VAPORIZER REGULATOR | [4] |
| 00 | 56508936 | 1 | VALVE-FUEL LOCKOFF | [2] |
| 00 | 56305271 | 1 | Abdichtung Abgas | [1] |
| 00 | 56305401 | 1 | PUMP DRIVE PLATE | [1] |
| 00 | 56305098 | 1 | Öldruckschalter | [1] |
| 00 | 56305985 | 1 | Kabelbaum | [5] |
| 00 | 56305411 | 1 | Thermostat kit | [1] |
| 00 | 56304794 | 1 | Zündspüle | [1] |
| 00 | 56305979 | 4 | Spark Plug | [1] |
| 00 | 56305407 | 1 | PROPANE MIXER | [6] |
| 00 | 56304426 | 1 | BOSCH THROTTLE ACUATOR | [5] |
| 00 | 56305989 | 1 | ECU LPG | [2] |
| 00 | 56304425 | 1 | ENGINE CONTROL MODULE GM 1.6 | [4] |
| 00 | 56305986 | 1 | Wasserpumpe | [1] |
| 00 | 56305409 | 1 | Kraftstoff-Ventil | [6] |
| 00 | 56305984 | 1 | TRIM VALVE 90 DEGREE | [7] |
| 00 | 56305549 | 1 | Dichtung Auspuffanlage | [1] |
| 00 | 56305981 | 1 | Verdampfer | [2] |
| 00 | 56305405 | 1 | Map Sensor | [1] |
| 00 | 56305982 | 1 | PROPANE MIXER | [2] |
| 00 | 56305410 | 1 | LP Filterpatrone | [1] |
| 00 | 56305272 | 1 | Öl-Filter Patrone | [1] |
| 00 | 56305403 | 1 | Sensor Kühlwasser | [1] |
| 00 | 56305275 | 1 | Anlasser Motor GM 1,6L | [8] |
| 00 | 56305596 | 1 | Stecker/Kabel-Kit | [1] |
| 00 | 56305985 | 1 | Kabelbaum | [9] |
| 00 | 56305983 | 1 | TRIM VALVE STRAIGHT | [2] |
| 01 | 56002063 | 5 | "U-Scheibe 3/8"" | |
| 02 | 56002769 | 3 | Stopmutter 3/8-16 | |
| 03 | 56002948 | 2 | Schraube 1/4-20 X .75 | |
| 04 | 56002983 | 4 | SCR HEX 1/2-13x2.00 | |
| 05 | 56003079 | 2 | SCR HEX HD LOC 3/8-16X1 | |
| 06 | 56003083 | 2 | Radbolzen | |
| 07 | 56003442 | 4 | SCR HEX LOC M10-1.50X20MM | |
| 08 | 56009018 | 2 | SCHRAUBE 1/4-20X3/4 HP5 | |
| 09 | 56009115 | 4 | WSH FLT HARDENED .594X1. | |
| 10 | 56112771 | 3 | CLAMP HOSE SAE 10 | |
| 11 | 56003352 | 1 | NUT HEX M8 | |
| 12 | 56329145 | 4 | BRIEDE | |
| 13 | 56440213 | 4 | Schlauchbride | |
| 14 | 56456304 | 1 | Kühlerschlauch 15" | |
| 15 | 56462247 | 1 | PLUG-6 E00551 | |
| 16 | 56478461 | 1 | ANZEIGEGERAET | |
| 17 | 56478685 | 4 | Silentblock CR 1200 | |
| 18 | 56456436 | 1 | Schlauchverbinder | [10] |
| 18 | 56155640 | 1 | ANSCHLUSS | [11] |
| 19 | 56304625 | 1 | WELDMENT REAR MOUNT | |
| 20 | 56305907 | 1 | WELDMENT TUBE | [12] |
| 20 | 56304634 | 1 | WELDMENT TUBE | [13] |
| 20 | 56305946 | 1 | TUBE WELDMENT | [14] |
| 21 | 56304904 | 1 | Lufffilter kpl. f. CR1200 | [15] |
| 22 | 56111874 | 1 | ENGINE-GM 1.6L PSI PETROL | [10] |
| 22 | 56305006 | 1 | ENGINE GM 1.6L PROPANE | [13] |

| Pos. | Artikel-Nr. | Menge | Variante | Notes |
|------|-------------|-------|---------------------|-------|
| 23 | 56305084 | 1 | ENGINE MOUNT FRONT | [16] |
| 24 | 56305094 | 1 | OIL SWITCH ASSEMBLY | |
| 24A | 56305098 | 1 | Öldruckschalter | |
| 24B | 56305619 | 1 | Öldruckschalter | |
| 25 | 56305909 | 1 | PLATE | [17] |
| 25 | 56305219 | 1 | PLATE | [18] |
| 26 | 56305240 | 1 | TUBE WELDMENT | |
| 27 | 56305242 | 1 | Keilriemen POLY VEE | |
| 28 | 56305374 | 1 | HOSE ASSEMBLY | |
| 29 | 56305390 | 1 | TUBE WELDMENT | [19] |
| 29 | 56305948 | 1 | TUBE WELDMENT | [20] |
| 30 | 56305458 | 1 | HOSE FORMED | |
| 31 | 56305490 | 1 | HOSE CONNECTOR | |
| 32 | 56305510 | 1 | LP BRACKET | [16] |
| 33 | 56305113 | 1 | Kühlerschlauch | |
| 34 | 56900300 | 1 | CONN.MALE METRIC | |
| 35 | 56001879 | 2 | U-SCHEIBEN | |
| 36 | 56481546 | 1 | Nippel 1/8 NPT | |
| 37 | 56419626 | 1 | HOSE HEATER E00538 | [10] |

Part Notes:

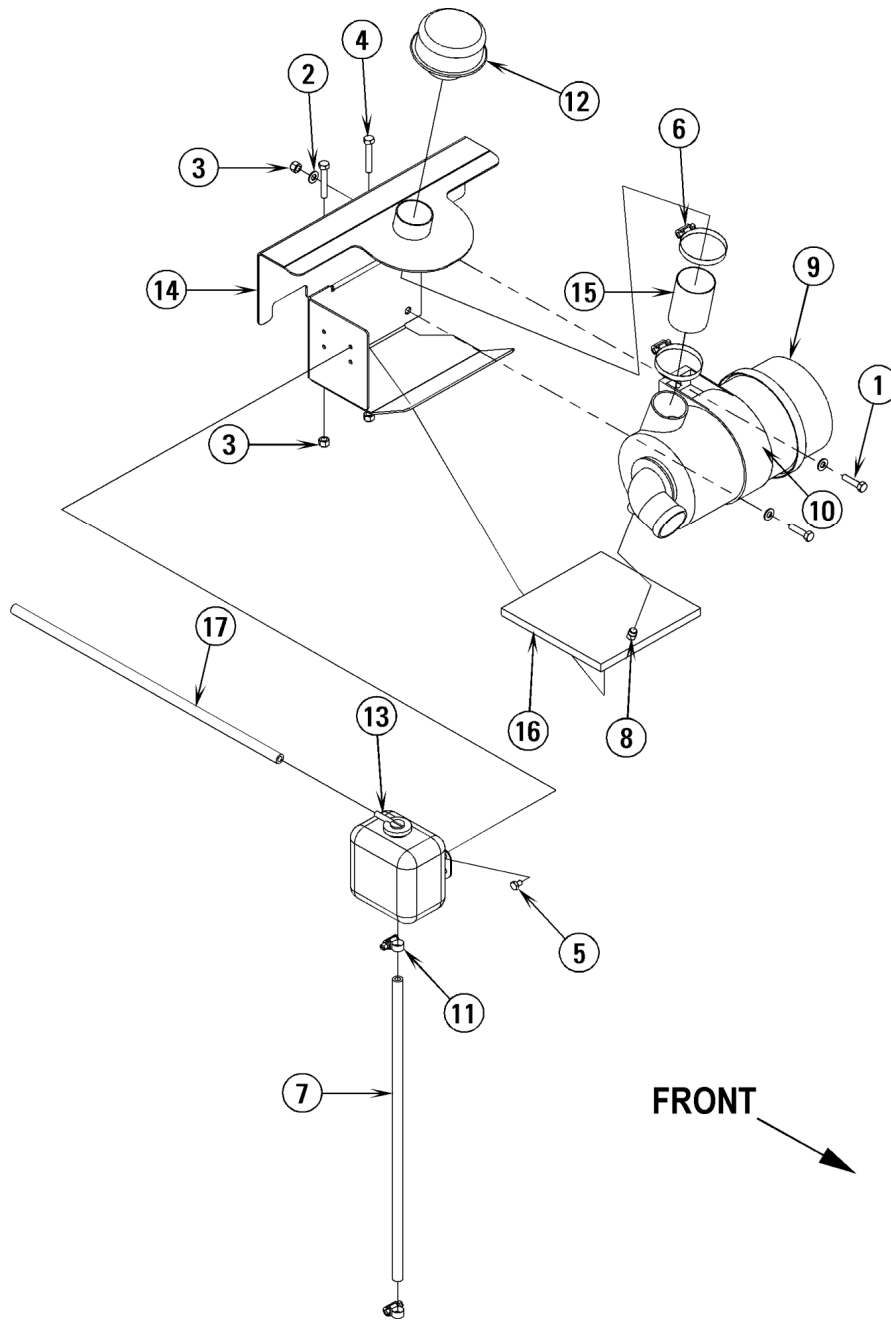
- [1] - Not Shown
- [2] - certified models only - Not Shown
- [3] - Not Shown
EXPIRED NO REPLACEMENT
- [4] - non certified models only - Not Shown
SEE PI 2017-002
- [5] - certified models only - Not Shown
EXPIRED NO REPLACEMENT
- [6] - non certified models only - Not Shown
- [7] - certified models only - Not Shown
SEE PI 2017-002
- [8] - After TSBUS2006-921 - Not Shown
- [9] - non certified models only - Not Shown
EXPIRED NO REPLACEMENT
- [10] - 2004 certified
- [11] - non certified
- [12] - 2004 certified / before SN1780553
EXPIRED NO REPLACEMENT
- [13] - non certified
SEE PI 2017-002
- [14] - 2004 certified / after SN1780552
SEE PI 2017-002
- [15] - EXPIRED NO REPLACEMENT
- [16] - SEE PI 2017-002
- [17] - after SN1785210
SEE PI 2017-002
- [18] - before SN1785211
SEE PI 2017-002
- [19] - before SN1780553
GUARANTEE DATE EXPIRED
- [20] - after SN1780552



| Pos. | Artikel-Nr. | Menge | Variante | Notes |
|------|-------------|-------|---------------------------|-------|
| 00 | 56305089 | 1 | Gasanschlußkit m. Filter | |
| 01 | 56002615 | 1 | Sechskantmutter 7/8-14 | |
| 02 | 56369675 | 1 | Steckverbindung | |
| 03 | 56418381 | 1 | Druckschalter | [1] |
| 04 | 56418934 | 1 | Schottverschraubung | |
| 05 | 56456608 | 1 | Elbow 90 DEG | |
| 06 | 56456624 | 1 | Vent, 1/4 NPT f. CR 1300 | |
| 07 | 56900921 | 1 | T-Stück | |
| 08 | 56305503 | 1 | Verbindungsschlauch | |
| 09 | 56305504 | 1 | Verbindungsschlauch | |
| 10 | 56305505 | 1 | ADAPTER SAE 45 DEGREE | |
| 11 | 56305506 | 1 | Schutzrohr | |
| 12 | 56419241 | 1 | Abdeckung f.Druckschalter | |
| 13 | 56002228 | 1 | Unterlagsscheibe | |

Part Notes:

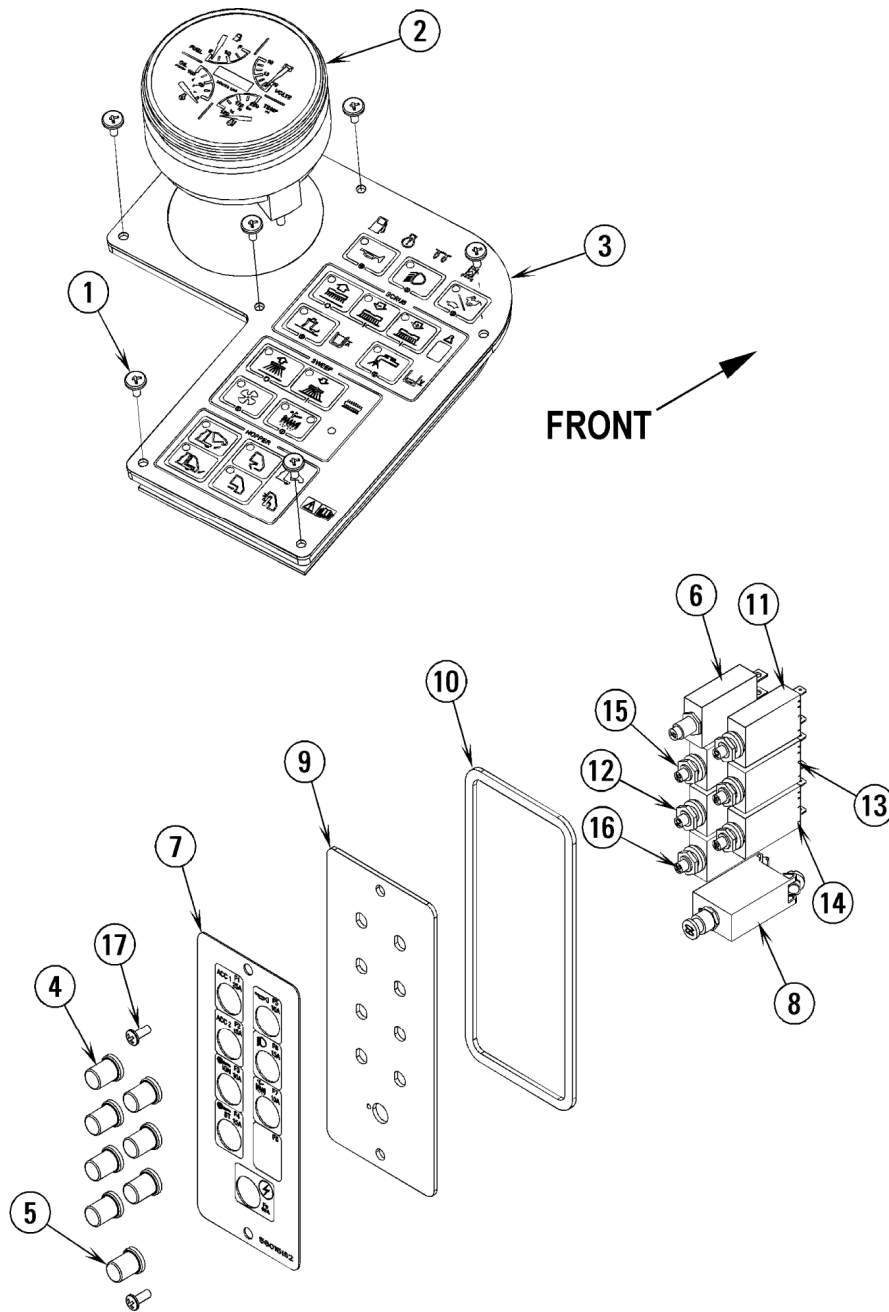
[1] - S3



| Pos. | Artikel-Nr. | Menge | Variante | Notes |
|------|-------------|-------|-------------------------------------|-------|
| 00 | 56304904 | 1 | Luftfilter kpl. f. CR1200 | [1] |
| 01 | 56001834 | 2 | Schraube 5/16-18 x 1,25 | |
| 02 | 56001939 | 4 | Flachdichtung 5/16 | |
| 03 | 56002701 | 4 | MUTTER 5-16-18 HEX JAM | |
| 04 | 56002721 | 2 | Schraube 5/1618x2.0 | |
| 05 | 56009019 | 4 | Schraube 1/4-20x.38 | |
| 06 | 56440213 | 2 | Schlauchbride | |
| 07 | 56305443 | 2 | Schlauch | |
| 08 | 56481546 | 1 | Nippel 1/8 NPT | |
| 09 | 56482028 | 1 | Primärluftfilter, P822858 Donaldson | [2] |
| 09 | 56482478 | 1 | Luftfilter | |
| 09 | 56482029 | 1 | Luftfilter, P821575 Donaldson | [3] |
| 10 | 56482621 | 1 | BAND ASSY | |
| 11 | 56756364 | 2 | Schlauchklemme | |
| 12 | 56419312 | 1 | HOOD INLET | |
| 13 | 7-07-02002 | 1 | Ausgleichsbehälter | |
| 14 | 56305339 | 1 | WELDMENT MOUNT | |
| 15 | 56305340 | 1 | HOSE | [4] |
| 16 | 56305341 | 1 | FOAM | |

Part Notes:

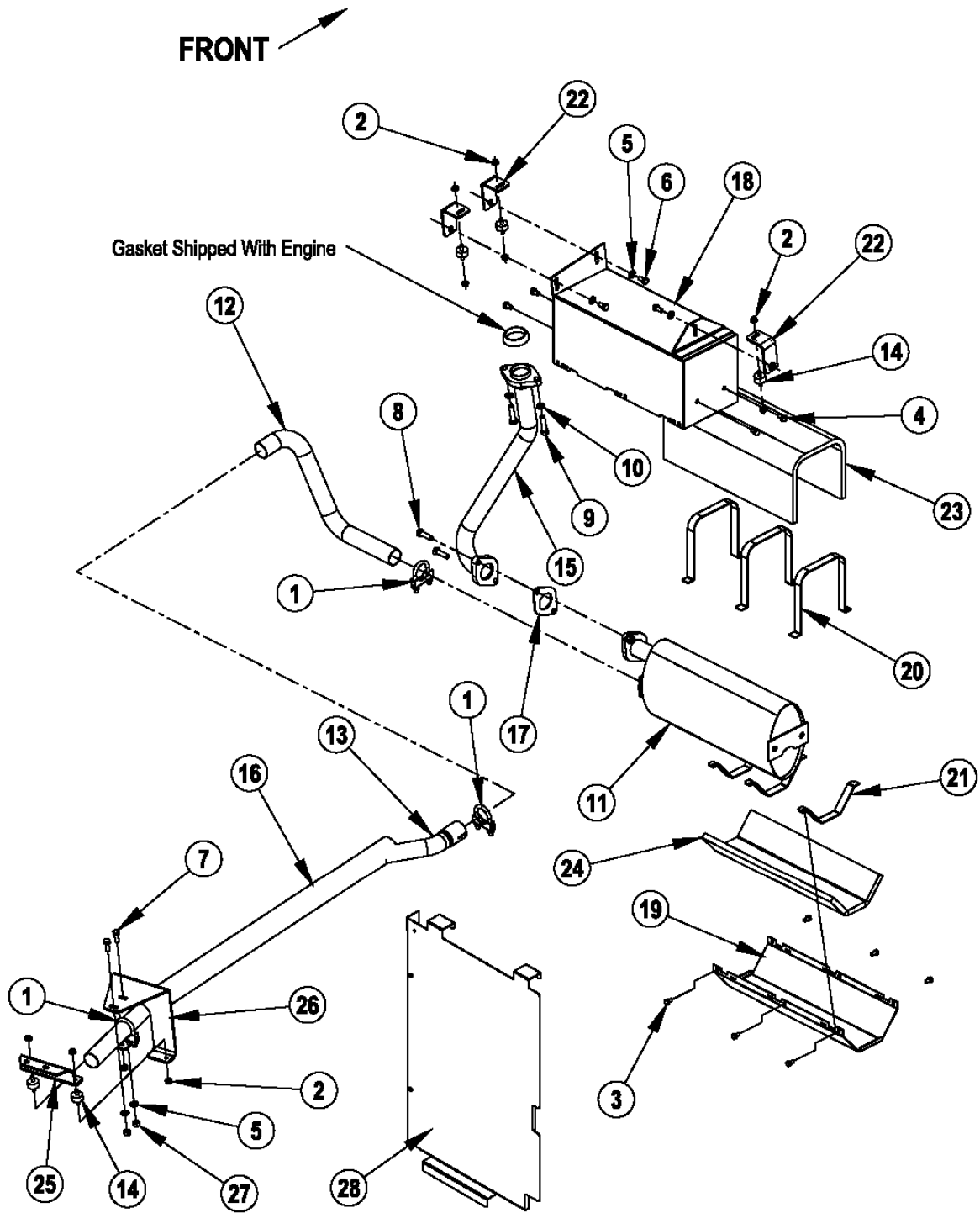
- [1] - EXPIRED NO REPLACEMENT
- [2] - inside / 2.31 x 10.25 - Not Shown
- [3] - outside / 4.19 x 10.56 - Not Shown
- [4] - SEE PI 2017-002



| Pos. | Artikel-Nr. | Menge | Variante | Notes |
|------|-------------|-------|--------------------------------|-------|
| 00 | 56304843 | 1 | CIRCUIT BREAKER PANEL ASSEMBLY | [1] |
| 00 | 56305230 | 1 | PROPANE GAUGE PANEL ASSEMBLY | [2] |
| 00 | 56305485 | 1 | Bedienfeld kpl. f. | [2] |
| 01 | 56009206 | 6 | Schraube TRUSS PHIL BLK | |
| 02 | 56304569 | 1 | Spur | [3] |
| 02 | 56304589 | 1 | Anzeige, 3-stellig f. LPG | [4] |
| 03 | 56305229 | 1 | Bedienungspanel CR 1400 | [5] |
| 04 | 56459367 | 7 | Abdeckung Rückstellknopf5015 | |
| 05 | 56459368 | 1 | Abdeckung Rückstellknopf5015 | |
| 06 | 56469788 | 1 | Unterbrecher | [6] |
| 07 | 56015182 | 1 | DECAL CIRCUIT BREAKER | |
| 08 | 56263260 | 1 | Schütz 60A | [7] |
| 09 | 56304842 | 1 | PLATE CIRCUIT BREAKER MOUNT | |
| 10 | 56305232 | 1 | GASKET | |
| 11 | 56387316 | 1 | Schütz 10A | [8] |
| 12 | 56387316 | 1 | Schütz 10A | [9] |
| 13 | 56454538 | 1 | Sicherungsautomat 15A | [10] |
| 14 | 56454538 | 1 | Sicherungsautomat 15A | [11] |
| 15 | 56454538 | 1 | Sicherungsautomat 15A | [12] |
| 16 | 56454538 | 1 | Sicherungsautomat 15A | [13] |
| 17 | 56001993 | 2 | SCR PAN HD PHIL 10-24X.50 | |

Part Notes:

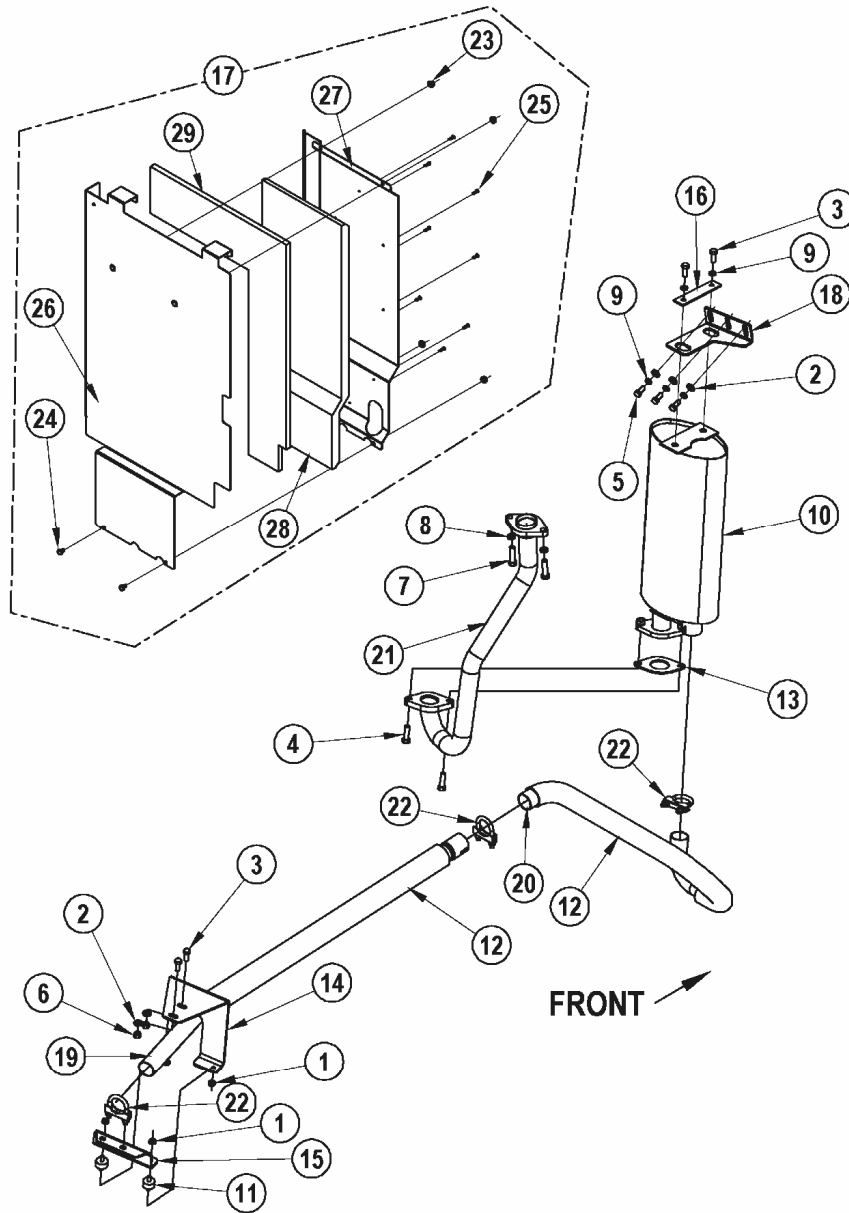
- [1] - all models / 4-17
- [2] - 1-3
- [3] - Gasoline/Petrol and Diesel
- [4] - LPG
- [5] - Includes Membrane Switch
- [6] - ACC1 / F1
- [7] - Main / F9
- [8] - Horn / F5
- [9] - IGN / F3
- [10] - Headlight / F6
- [11] - Shaker / F7
- [12] - ACC2 / F2
- [13] - ST / F4



| Pos. | Artikel-Nr. | Menge | Variante | Notes |
|------|-------------|-------|----------------------------------|-------|
| | 56305689 | 1 | Dieselabgasanlage | [1] |
| 00 | 56305017 | 1 | EXHAUST ASSEMBLY | [2] |
| 01 | 56456833 | 3 | "Auspuffbriede 1 5/8"Adv. 5000P" | |
| 02 | 56002708 | 10 | Stopmutter 1/4-20 | |
| 03 | 56001854 | 6 | SCHRAUBE HEX HD1/4-20X.50 | |
| 04 | 56001862 | 4 | SCR HEX HD 5/16-18 X .50 | |
| 05 | 56001939 | 5 | Flachdichtung 5/16 | |
| 06 | 56002035 | 3 | 002721X HD 5/16-18X.62 | |
| 07 | 56002037 | 2 | SCR HEX 5/16-18 X .88 | |
| 08 | 56002254 | 2 | Schraube | |
| 09 | 56003683 | 2 | Schraube M10 1.5 x 40mm | [3] |
| 10 | 56003684 | 2 | U-Scheibe M10 | [3] |
| 11 | 56305595 | 1 | Auspuff | [4] |
| 12 | 56305004 | 1 | Auspuffrohr gebogen | |
| 13 | 56305016 | 1 | Auspuff | |
| 14 | 56305216 | 5 | Dämpfer | |
| 15 | 56305305 | 1 | EXHAUST PIPE WELDMENT | [5] |
| 16 | 56305343 | 1 | Thermohülle | |
| 17 | 56305549 | 1 | Dichtung Auspuffanlage | |
| 18 | 56305567 | 1 | HEAT SHIELD WELDMENT | |
| 19 | 56305571 | 1 | Hitzeschild, unten | |
| 20 | 56305575 | 3 | RETAINER INSULATION | |
| 21 | 56305576 | 3 | Befestigung für | |
| 22 | 56305580 | 3 | BRACKET MUFFLER HANGER | |
| 23 | 56305583 | 1 | INSULATION THERMAL | |
| 24 | 56305584 | 1 | Hitzeschild, oben | |
| 25 | 56305878 | 1 | BRACKET TAILPIPE | [6] |
| 26 | 56305877 | 1 | BRACKET TAILPIPE | [6] |
| 27 | 56002701 | 2 | MUTTER 5-16-18 HEX JAM | |
| 28 | 56009030 | 2 | Schraube 10-2 | [7] |
| 28 | 56305034 | 1 | Hitzeschutz | [8] |
| 28 | 56305942 | 1 | PANEL REAR | [7] |
| 28 | 56305047 | 1 | PANEL ASSEMBLY | |
| 28 | 56305045 | 1 | PANEL REAR | [8] |

Part Notes:

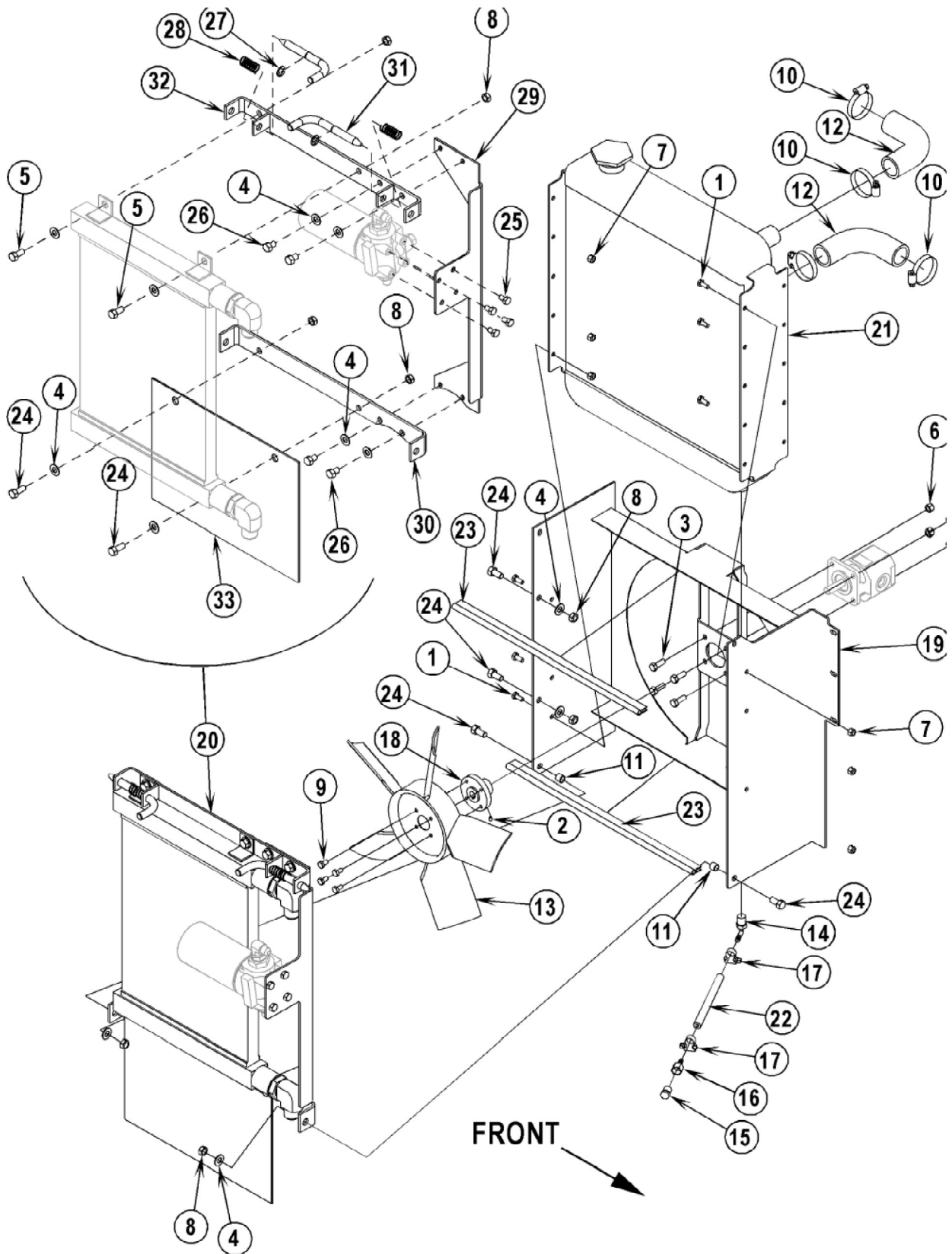
- [1] - DIESEL
- [2] - NON CERTIFIED / LPG / NILFISK GASOLINE/PETROL BEFORE SN1758211
- [3] - GASOLINE/PETROL & LPG
- [4] - NON CERTIFIED GASOLINE/PETROL, LPG, DIESEL & ALL NILFISK
- [5] - GASOLINE/PETROL & LPG
SEE PI 2017-002
- [6] - TSBUS2004-866
- [7] - AFTER SN1758210 - Not Shown
- [8] - Not Shown



| Pos. | Artikel-Nr. | Menge | Variante | Notes |
|------|-------------|-------|-----------------------------------|-------|
| | 56305959 | 1 | Auspuffanlage kpl. | [1] |
| 01 | 56002708 | 4 | Stopmutter 1/4-20 | |
| 02 | 56001939 | 5 | Flachdichtung 5/16 | |
| 03 | 56002037 | 4 | SCR HEX 5/16-18 X .88 | |
| 04 | 56002254 | 2 | Schraube | |
| 05 | 56002667 | 3 | Schraube 5/16-18 X.75 | |
| 06 | 56002701 | 2 | MUTTER 5-16-18 HEX JAM | |
| 07 | 56003694 | 2 | Schraube M10-1,5x35mm | |
| 08 | 56003684 | 2 | U-Scheibe M10 | |
| 09 | 56003685 | 5 | U.- Scheibe | |
| 10 | 56305595 | 1 | Auspuff | [2] |
| 11 | 56305216 | 2 | Dämpfer | |
| 12 | 56305343 | 2 | Thermohülle | |
| 13 | 56305549 | 1 | Dichtung Auspuffanlage | |
| 14 | 56305877 | 1 | BRACKET TAILPIPE | |
| 15 | 56305878 | 1 | BRACKET TAILPIPE | |
| 16 | 56305898 | 1 | MUFFLER CLAMP PLATE | |
| 17 | 56305901 | 1 | TANK PANEL ASSEMBLY | [3] |
| 18 | 56305906 | 1 | MOUNT CAT/CON | [4] |
| 19 | 56305911 | 1 | Auspuffrohr | |
| 20 | 56305913 | 1 | Auspuffrohr | |
| 21 | 56305915 | 1 | Auspuffrohr | [5] |
| 22 | 56456833 | 3 | "Auspuffbriede 1 5/8" Adv. 5000P" | |
| 23 | 56002708 | 4 | Stopmutter 1/4-20 | |
| 24 | 56001861 | 2 | SCR HEX HD 1/4-20 X.38 | |
| 25 | 56002438 | 8 | Schraube 8-32 | |
| 26 | 56305902 | 1 | PANEL REAR | |
| 27 | 56305903 | 1 | PANEL | |
| 28 | 56305904 | 1 | INSULATION THERMAL | |
| 29 | 56305943 | 1 | PANEL INSULATION | |

Part Notes:

- [1] - Nilfisk Gasoline/Petrol only after SN1758210
NO LONGER AVAILABLE
- [2] - Nilfisk models only
- [3] - items 23-29
- [4] - SEE PI 2017-002
- [5] - NO LONGER AVAILABLE



Radiator Assembly (Before SN1780553) - Engine System until 2007

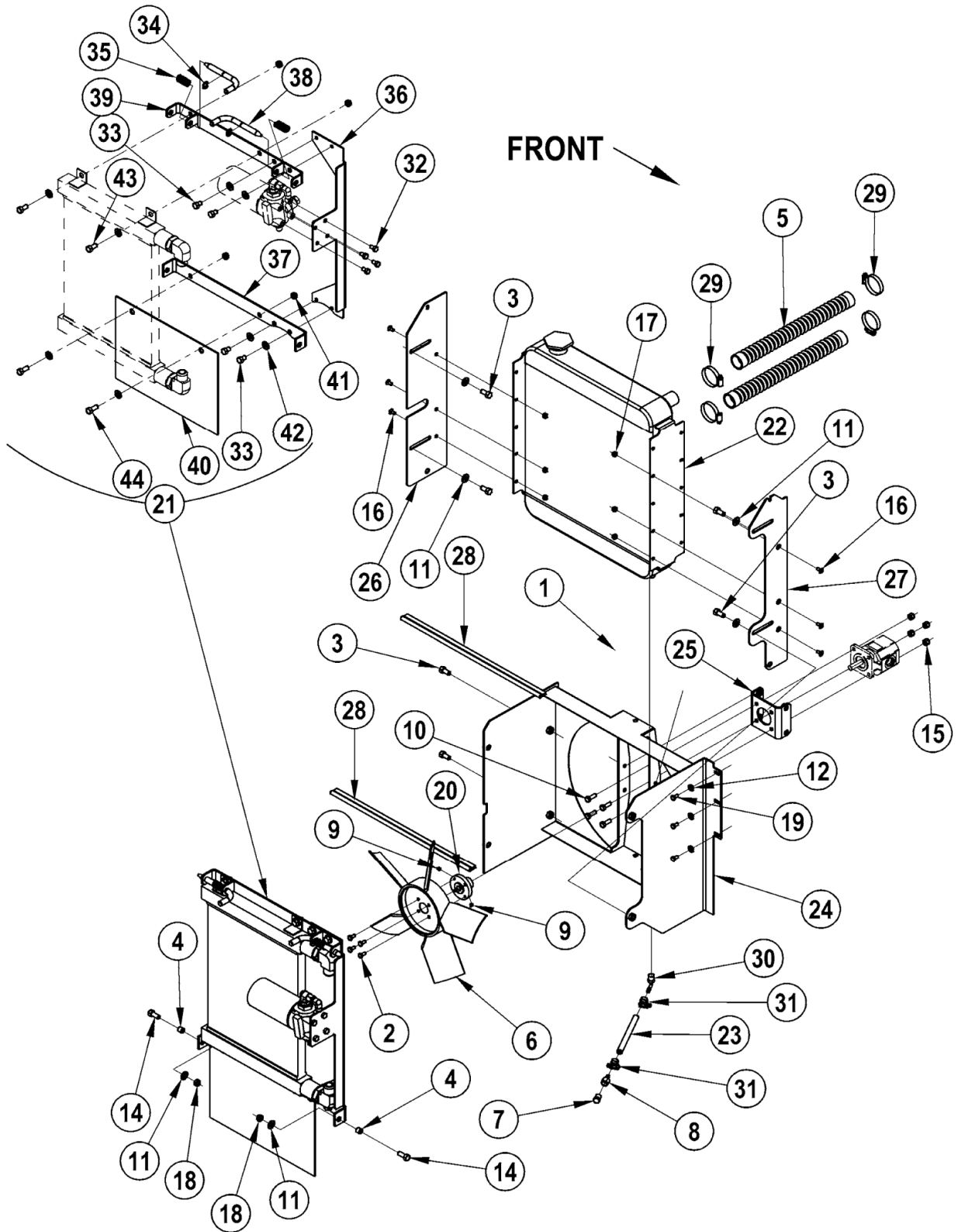
CR 1200 D/P/LPG

2013.04.02

| Pos. | Artikel-Nr. | Menge | Variante | Notes |
|------|-------------|-------|-------------------------------|-------|
| 00 | 56304638 | 1 | RADIATOR ASSEMBLY | [1] |
| 01 | 56001836 | 6 | Schraube 1/4-20x0.62 | |
| 02 | 56001841 | 2 | Madenschraube | |
| 03 | 56002037 | 4 | SCR HEX 5/16-18 X .88 | |
| 04 | 56002063 | 12 | "U-Scheibe 3/8"" | |
| 05 | 56002663 | 2 | SCR HEX HD 3/8-16x1.00 | |
| 06 | 56002701 | 4 | MUTTER 5-16-18 HEX JAM | |
| 07 | 56002708 | 6 | Stopmutter 1/4-20 | |
| 08 | 56002769 | 8 | Stopmutter 3/8-16 | |
| 09 | 56003039 | 4 | Schraube 1/4-20 | |
| 10 | 56329145 | 4 | BRIEDE | |
| 11 | 56388326 | 2 | BUSHING .38x.48x.41 | |
| 12 | 56418227 | 2 | Schlauch radiator unten, | |
| 13 | 56463704 | 1 | Sauglüfter | |
| 14 | 56470138 | 1 | "Winkelanschluss 1/4"" | |
| 15 | 56740136 | 1 | PLUG BRASS E00040 | |
| 16 | 56756360 | 1 | HOSE BARB 1/4 BARB X 1/4-18 F | |
| 17 | 56756364 | 2 | Schlauchklemme | |
| 18 | 56304087 | 1 | Lüfternabe | |
| 19 | 56304438 | 1 | WELDMENT RADIATOR MOUNT | |
| 20 | 56304892 | 1 | HYDRAULIC OIL COOLER ASSEMBLY | [2] |
| 21 | 56456431 | 1 | Cap, Radiator | |
| 21 | 56305316 | 1 | Kühler | |
| 22 | 56305428 | 1 | HOSE | |
| 23 | 56418609 | 2 | GASKET BULB | [3] |
| 24 | 56002271 | 6 | Schraube HEX HD 3/8-16x.8 | |
| 25 | 56002923 | 4 | SCR HEX LOC 5/16-18 X .50 | |
| 26 | 56003023 | 4 | SCR HEX LOC 3/8-16 X .50 | |
| 27 | 56003264 | 2 | "Benzingring 0,5"" | |
| 28 | 56304531 | 2 | SPRING COMPRESSION | |
| 29 | 56304888 | 1 | BRACKET FILTER | |
| 30 | 56304890 | 1 | BRACKET | |
| 31 | 56304973 | 2 | LOCK PIN | |
| 32 | 56304976 | 1 | WELDMENT BRACKET | |
| 33 | 56305211 | 1 | FLAP | |

Part Notes:

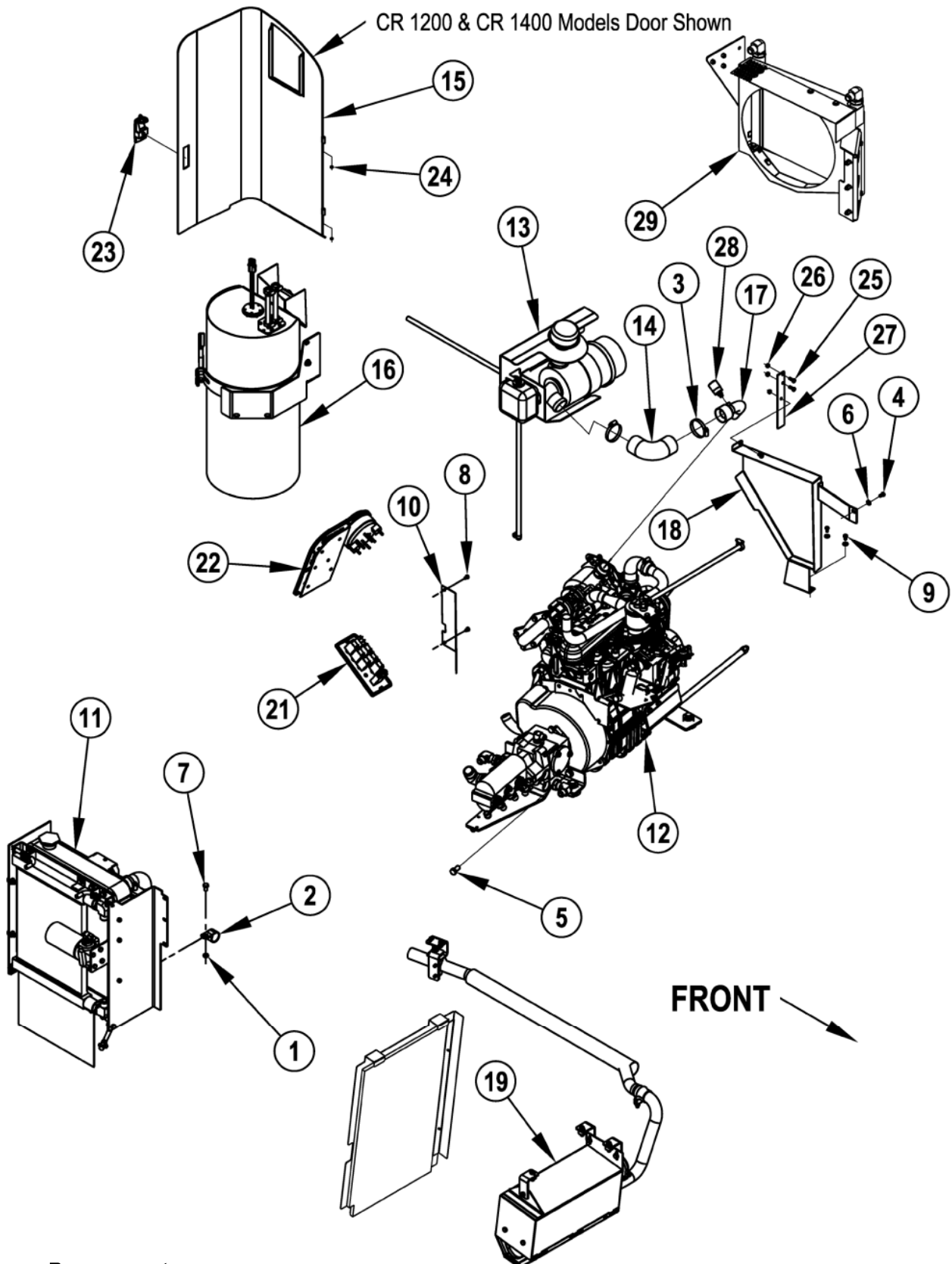
- [1] - 1-24, except 5
SEE PI 2017-002
- [2] - 4, 5, 8 and 24-33
- [3] - EXPIRED NO REPLACEMENT



| Pos. | Artikel-Nr. | Menge | Variante | Notes |
|------|-------------|-------|-------------------------------|-------|
| 00 | 56305933 | 1 | RADIATOR ASSEMBLY | [1] |
| 01 | 56002956 | 4 | Schraube HEX LOC 5/16-18 | |
| 02 | 56003039 | 4 | Schraube 1/4-20 | |
| 03 | 56003079 | 6 | SCR HEX HD LOC 3/8-16X1 | |
| 04 | 56388326 | 2 | BUSHING .38x.48x.41 | |
| 05 | 56456304 | 2 | Kühlerschlauch 15" | |
| 06 | 56463704 | 1 | Sauglüfter | |
| 07 | 56740136 | 1 | PLUG BRASS E00040 | |
| 08 | 56756360 | 1 | HOSE BARB 1/4 BARB X 1/4-18 F | |
| 09 | 56001841 | 2 | Madenschraube | |
| 10 | 56002037 | 4 | SCR HEX 5/16-18 X .88 | |
| 11 | 56002063 | 6 | "U-Scheibe 3/8"" | |
| 12 | 56002098 | 3 | Scheibe | |
| 14 | 56002271 | 2 | Schraube HEX HD 3/8-16x.8 | |
| 15 | 56002701 | 4 | MUTTER 5-16-18 HEX JAM | |
| 16 | 56002711 | 6 | SCHRQAUBE 1/4-20X3/4KONISCH | |
| 17 | 56002840 | 6 | Nut 1/4 20 | |
| 18 | 56002769 | 2 | Stopmutter 3/8-16 | |
| 19 | 56009033 | 3 | Schraube 1/4-20X1 2HP 5 | |
| 20 | 56304087 | 1 | Lüfternabe | |
| 21 | 56304892 | 1 | HYDRAULIC OIL COOLER ASSEMBLY | [2] |
| 22 | 56305316 | 1 | Kühler | |
| 23 | 56305428 | 1 | HOSE | |
| 24 | 56305889 | 1 | RADIATOR MOUNT WELDMNT | |
| 25 | 56305892 | 1 | BRACKET FAN MOUNT | |
| 26 | 56305921 | 1 | BRACKET RADIATOR MOUNT | |
| 27 | 56305922 | 1 | BRACKET RADIATOR MOUNT | |
| 28 | 56305935 | 2 | TRIM SEAL | |
| 29 | 56329145 | 4 | BRIEDE | |
| 30 | 56470138 | 1 | "Winkelanschluss 1/4"" | |
| 31 | 56756364 | 2 | Schlauchklemme | |
| 32 | 56002923 | 4 | SCR HEX LOC 5/16-18 X .50 | |
| 33 | 56003023 | 4 | SCR HEX LOC 3/8-16 X .50 | |
| 34 | 56003264 | 2 | "Benzingring 0,5"" | |
| 35 | 56304531 | 2 | SPRING COMPRESSION | |
| 36 | 56304888 | 1 | BRACKET FILTER | |
| 37 | 56304890 | 1 | BRACKET | |
| 38 | 56304973 | 2 | LOCK PIN | |
| 39 | 56304976 | 1 | WELDMNT BRACKET | |
| 40 | 56305211 | 1 | FLAP | |
| 41 | 56002769 | 4 | Stopmutter 3/8-16 | |
| 42 | 56002063 | 8 | "U-Scheibe 3/8"" | |
| 43 | 56002663 | 2 | SCR HEX HD 3/8-16x1.00 | |
| 44 | 56002271 | 2 | Schraube HEX HD 3/8-16x.8 | |

Part Notes:

- [1] - 1-31
 [2] - 32-44



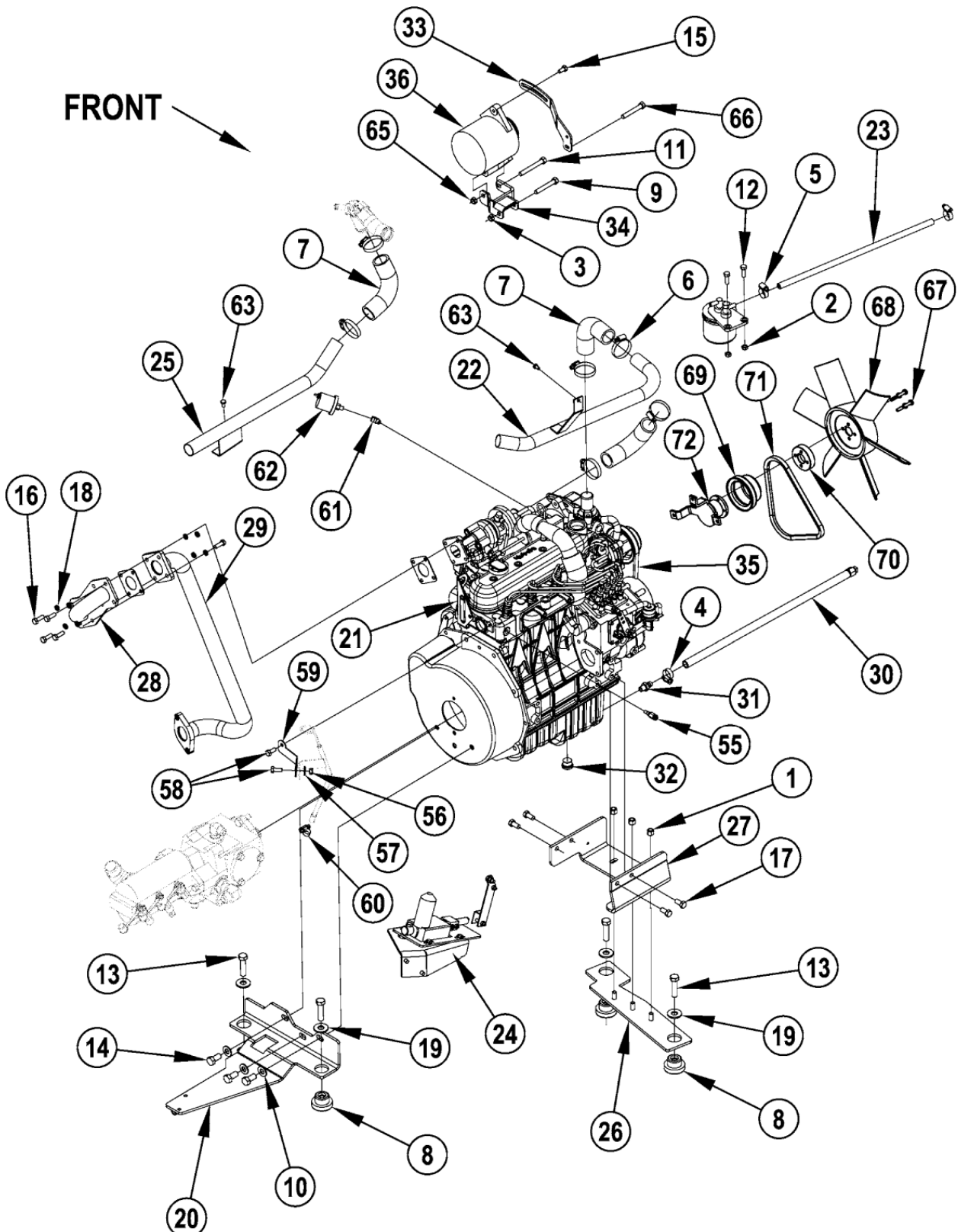
Resource notes:

NOTE 1: These items are not used on the HT models 56307237 & 56307239. NOTE 2: These items are only used on the HT models 56307237 & 56307239.

| Pos. | Artikel-Nr. | Menge | Variante | Notes |
|------|-------------|-------|--------------------------------|-------|
| 00 | 56501005 | 2 | ANTI-FREEZE | [1] |
| 00 | 56501068 | 1 | OIL 10W30 6/1 API CF | [2] |
| 01 | 56002841 | 1 | NUT HEX NYL LOC-THIN 3/8 | |
| 02 | 56409463 | 1 | Clamp, 1.25 Hose support | |
| 03 | 56440213 | 2 | Schlauchbride | |
| 04 | 56001854 | 2 | SCHRAUBE HEX HD1/4-20X.50 | [3] |
| 05 | 56001895 | 2 | SCR HEX HD 1/2-13 X 1.00 | [3] |
| 06 | 56002098 | 3 | Scheibe | [3] |
| 07 | 56002234 | 1 | SCR HEX 3/8-16 X .62 | |
| 08 | 56009019 | 2 | Schraube 1/4-20x.38 | |
| 09 | 56009033 | 2 | Schraube 1/4-20X1 2HP 5 | [3] |
| 10 | 56305853 | 1 | HEAT SHIELD | |
| 11 | 56305933 | 1 | RADIATOR ASSEMBLY | [3] |
| 11 | 56307046 | 1 | RADIATOR ASSEMBLY | [4] |
| 12 | 56307241 | 1 | HT DIESEL ENGINE ASSY | [4] |
| 12 | 56304795 | 1 | ENGINE ASSY DIESEL | [5] |
| 13 | 56304904 | 1 | Lufffilter kpl. f. CR1200 | [6] |
| 14 | 7-33-02711 | 1 | HOSE-INTAKE | |
| 15 | 56305436 | 1 | Tür, hinten links | [7] |
| 16 | 56305451 | 1 | DIESEL FUEL ASSEMBLY | [8] |
| 17 | 56305665 | 1 | TUBE WELDMENT | [9] |
| 18 | 56305671 | 1 | BELT GUARD WELDMENT | [3] |
| 19 | 56305689 | 1 | Dieselabgasanlage | |
| 21 | 56304843 | 1 | CIRCUIT BREAKER PANEL ASSEMBLY | |
| 22 | 56305485 | 1 | Bedienfeld kpl. f. | |
| 23 | 56418471 | 1 | Verschluss zu CR 1300 | |
| 24 | 56416454 | 2 | Scharnier | |
| 25 | 56002155 | 2 | SCR HEX 1/4-20 X .75 | [3] |
| 26 | 56002840 | 3 | Nut 1/4 20 | [3] |
| 27 | 56305967 | 1 | BRACKET BELT GUARD | [10] |
| 28 | 7-24-04087 | 1 | FILTER SERVICE INDICATOR 20 WC | |
| 29 | 56307247 | 1 | DIESEL COOLER KIT | [4] |

Part Notes:

- [1] - Not shown
- [2] - Not shown
BUY LOCALLY
- [3] - NOTE 1
- [4] - NOTE 2
- [5] - NOTE 1
SEE PI 2017-002
- [6] - EXPIRED NO REPLACEMENT
- [7] - CR 1200 / CR 1400
- [8] - CR 1200 / CR 1400
EXPIRED NO REPLACEMENT
- [9] - SEE PI 2017-002
- [10] - NOTE 1
EXPIRED NO REPLACEMENT



Resource notes:

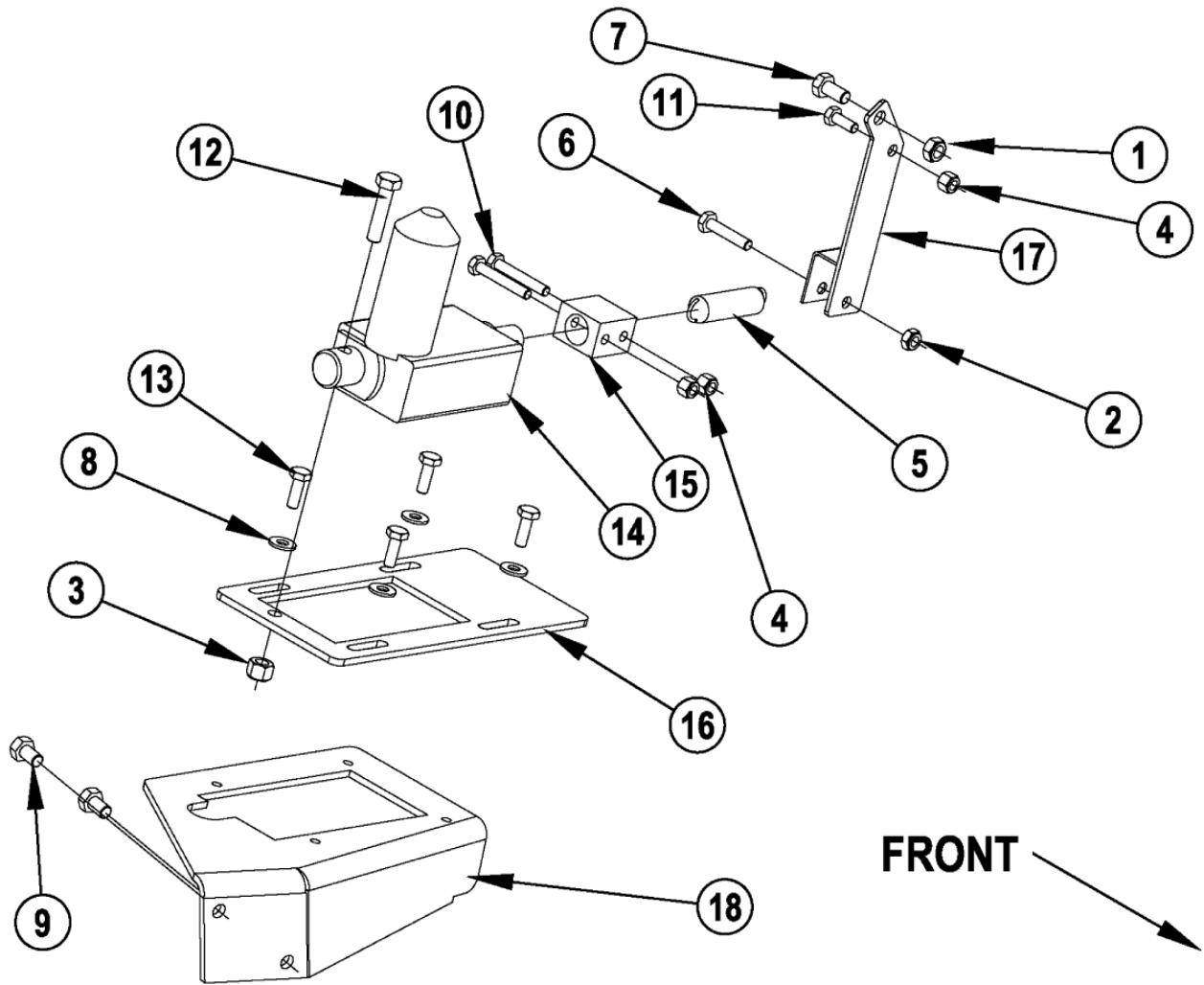
NOTE 1: These items are only used on the HT models 56307237 & 56307239.

| Pos. | Artikel-Nr. | Menge | Variante | Notes |
|------|-------------|-------|--------------------------------|-------|
| 00 | 56111320 | 1 | DRIVE PLATE | |
| 00 | 56304549 | 1 | | |
| 00 | 56419054 | 1 | Kraftstofffilter | [1] |
| 00 | 56419089 | 1 | Starter | [1] |
| 00 | 56504545 | 1 | SEAL-CRANK -OIL-FRONT | [1] |
| 00 | 56419107 | 2 | Auspuffdichtung | [2] |
| 00 | 56305866 | 1 | Keilriemen | [3] |
| 00 | 56419307 | 1 | Dieselfiltersieb CR 1400 | [1] |
| 00 | 56419090 | 1 | Öldruck-Schalter | [1] |
| 00 | 56380139 | 1 | PUMP HOUSING ASSY | [4] |
| 00 | 56504546 | 1 | SEAL-CRANK -OIL-REAR | [1] |
| 00 | 56419446 | 1 | Magnetventil, Kit | [5] |
| 00 | 56419086 | 1 | Dieselfilter | [1] |
| 00 | 56305873 | 1 | Sender, Hydraulik Öl Temp | [1] |
| 00 | 56304348 | 1 | Stellmotor | [1] |
| 00 | 56305867 | 1 | Lichtmaschine | [6] |
| 00 | 56418793 | 1 | Dieselpumpe | [1] |
| 00 | 56463590 | 1 | Glühzeitsteuergerät | [1] |
| 00 | 56482659 | 1 | Motoroelfilter | [1] |
| 00 | 56380146 | 1 | KIT HARDWARE ENGINE HUB | |
| 00 | 56380140 | 1 | HUB ENGINE | |
| 00 | 56419091 | 1 | Temperaturschalter | [1] |
| 00 | 56419088 | 1 | Thermostat | [1] |
| 01 | 56002769 | 3 | Stopmutter 3/8-16 | |
| 02 | 56002826 | 2 | NUT HEX NYLOC THIN 5/16-1 | |
| 03 | 56002841 | 1 | NUT HEX NYL LOC-THIN 3/8 | |
| 04 | 2-95-04388 | 1 | CLAMP-HOSE-FEEDWATER IDEAL6203 | [7] |
| 05 | 56219932 | 2 | Briede | |
| 06 | 2-00-03404 | 6 | Klammer | [8] |
| 07 | 56418227 | 3 | Schlauch radiator unten, | |
| 08 | 56478685 | 4 | Silentblock CR 1200 | |
| 09 | 56001873 | 1 | SCR HEX 3/8-16 X 2.50 | |
| 10 | 56001879 | 3 | U-SCHEIBEN | |
| 11 | 56003763 | 1 | SCR HEX M10-1.5 X 75MM | |
| 12 | 56002221 | 2 | SCR HEX HD 5/16-18 X 1.00 | |
| 13 | 56002983 | 4 | SCR HEX 1/2-13x2.00 | |
| 14 | 56003083 | 3 | Radbolzen | |
| 15 | 56003178 | 1 | Schraube HEX THD TO HD | |
| 16 | 56003180 | 8 | Schraube | |
| 17 | 2-00-05958 | 4 | SCREW HHC M10 X 1.25 X 20MM | |
| 18 | 56003685 | 8 | U.- Scheibe | |
| 19 | 56009115 | 4 | WSH FLT HARDENED .594X1. | |
| 20 | 56306047 | 1 | REAR ENGINE MOUNT DIESEL | |
| 21 | 56304550 | 1 | ENGINE DIESEL | |
| 22 | 56305950 | 1 | TUBE WELDMENT | |
| 23 | 56492259 | 1 | HOSE FUEL LINE E00556 | |
| 24 | 56304727 | 1 | Stellmotor f. CR1200D | |
| 25 | 56305975 | 1 | TUBE WELDMENT | |
| 26 | 56306046 | 1 | ENGINE MOUNT DIESEL | |
| 27 | 56305497 | 1 | FRONT ENGINE MOUNT DIESEL | |
| 28 | 56305955 | 1 | Adapter | |
| 29 | 56305954 | 1 | Halterung für Auspuffrohr | |
| 30 | 56305838 | 1 | BARB HOSE FEMALE | [1] |
| 30 | 56305837 | 1 | HOSE OIL DRAIN | [1] |
| 30 | 56744580 | 1 | PLUG BRASS E00040 | [1] |
| 30 | 56305836 | 1 | OIL DRAIN HOSE ASSEMBLY | |
| 31 | 56305839 | 1 | BARB MALE METRIC | |
| 32 | 56305845 | 1 | PLUG METRIC M22 X 1.5 | |
| 33 | 56305862 | 1 | Klammer | |

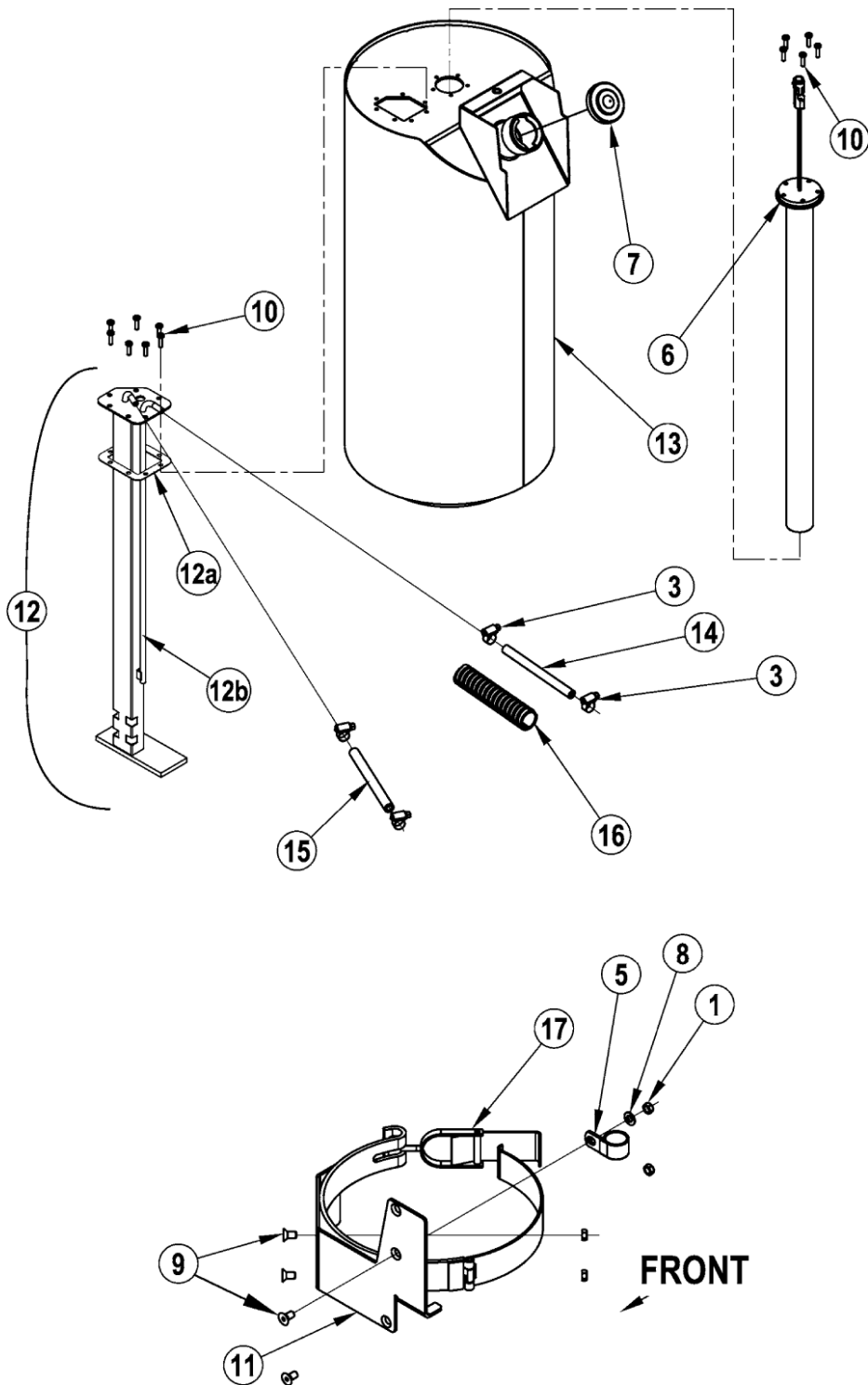
| Pos. | Artikel-Nr. | Menge | Variante | Notes |
|------|-------------|-------|-----------------------------|-------|
| 34 | 56305864 | 1 | ALTERNATOR BRACKET WELDMENT | |
| 35 | 56305866 | 1 | Keilriemen | |
| 36 | 56305867 | 1 | Lichtmaschine | |
| 55 | 56305873 | 1 | Sender, Hydraulik Öl Temp | |
| 56 | 56003389 | 1 | MutterHEX NYL LOC M8-1.25 | |
| 57 | 56002220 | 1 | WSH FLT CUT 5/16 | |
| 58 | 56003179 | 2 | Schraube HEX THD/HD M8-1, | |
| 59 | 56305926 | 1 | DIPSTICK BRACKET | |
| 60 | 56756364 | 1 | Schlauchklemme | |
| 61 | 56481658 | 1 | ELBOW 1/8X45 BRASS E00029 | |
| 62 | 56305619 | 1 | Öldruckschalter | |
| 63 | 56009033 | 2 | Schraube 1/4-20X1 2HP 5 | |
| 65 | 56003406 | 1 | Mutter HEX NYL LOC | |
| 66 | 56003764 | 1 | SCR HEX M6-1 X 55MM | |
| 67 | 56002093 | 4 | SCR HEX HD 1/4-20 X 1.00 | [9] |
| 68 | 56307248 | 1 | FAN 14 IN PUSHER | [9] |
| 69 | 56307249 | 1 | PULLEY FAN 89MM | [9] |
| 70 | 56307255 | 1 | SPACER FAN | [9] |
| 71 | 56419087 | 1 | Keilriem | [9] |
| 72 | 56504477 | 1 | KIT LOW FAN KUB 1505 | [9] |

Part Notes:

- [1] - Not shown
- [2] - Not shown
- Shipped with the engine.
- [3] - optional, required for 56305867 - Not shown
- [4] - SEE PI 2017-002
- [5] - Not shown
EXPIRED NO REPLACEMENT
- [6] - optional - Not shown
- [7] - EXPIRED USE 722030
- [8] - EXPIRED USE 56329145
- [9] - NOTE 1



| Pos. | Artikel-Nr. | Menge | Variante | Notes |
|------|-------------|-------|---------------------------|-------|
| | 56304727 | 1 | Stellmotor f. CR1200D | |
| 01 | 56002826 | 1 | NUT HEX NYLOC THIN 5/16-1 | |
| 02 | 56002840 | 1 | Nut 1/4 20 | |
| 03 | 56003389 | 1 | MutterHEX NYL LOC M8-1.25 | |
| 04 | 56003403 | 3 | Mutter M6 x 1.00 | |
| 05 | 56365068 | 1 | SPRING EXT .62X2.50CA333G | |
| 06 | 56001878 | 1 | SCR HEX HD 1/4-20 X 1.25 | |
| 07 | 56002035 | 1 | 002721X HD 5/16-18X.62 | |
| 08 | 56002098 | 4 | Scheibe | |
| 09 | 56002923 | 2 | SCR HEX LOC 5/16-18 X .50 | |
| 10 | 56003167 | 2 | Sechskantschraube M6x40 | |
| 11 | 56003174 | 1 | Schraube | |
| 12 | 56003361 | 1 | SCR HEX HD M8 X 35.0 | |
| 13 | 56009018 | 4 | SCHRAUBE 1/4-20X3/4 HP5 | |
| 14 | 56304348 | 1 | Stellmotor | |
| 15 | 56304724 | 1 | BLOCK | |
| 16 | 56304725 | 1 | PLATE | |
| 17 | 56305827 | 1 | LEVER WELDMENT | |
| 18 | 56305870 | 1 | BRACKET THROTTLE ACTUATOR | |



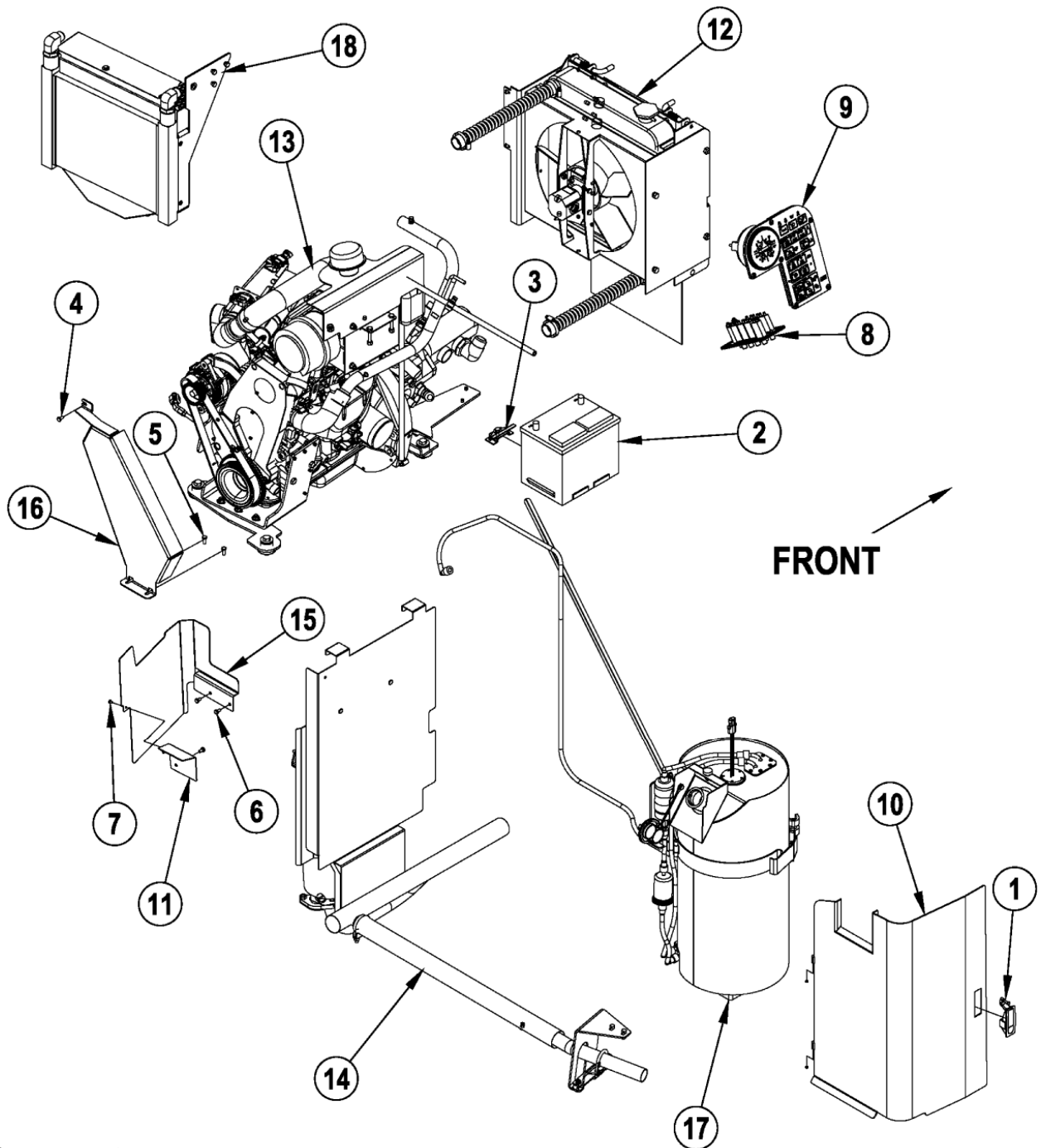
Resource notes:

NOTE 1: Fuel pump 56305452 is no longer used and no longer available. It has been replaced in production by 56380454 which is a direct replacement. Replacement parts for 56305452 are also no longer available.

| Pos. | Artikel-Nr. | Menge | Variante | Notes |
|------|-------------|-------|--------------------------------|-------|
| | 56305451 | 1 | DIESEL FUEL ASSEMBLY | [1] |
| 01 | 56002841 | 4 | NUT HEX NYL LOC-THIN 3/8 | |
| 03 | 56756364 | 4 | Schlauchklemme | |
| 05 | 56409463 | 1 | Clamp, 1.25 Hose support | |
| 06 | 56455567 | 1 | Tanksensor | |
| 07 | 56478502 | 1 | CAP FUEL TANK RE442WC | |
| 08 | 56002063 | 1 | "U-Scheibe 3/8"" | |
| 09 | 56002748 | 4 | SCR FLT SOC 3/8-16 X .75 | |
| 10 | 56009209 | 12 | SCR PAN PHIL THDFORM10-24X1.00 | |
| 11 | 56304865 | 1 | WELDMENT PROPANE TANK BRACKET | |
| 12 | 56380454 | 1 | FUEL PUMP ASSEMBLY | [2] |
| 12A | 56418795 | 1 | GASKET | |
| 12B | 56380450 | 1 | | |
| 12B | 56305941 | 1 | WIRE ASSEMBLY | [3] |
| 13 | 56305757 | 1 | FUEL TANK WELDMENT | [4] |
| 14 | 56305849 | 1 | FUEL LINE RETURN | |
| 15 | 56305850 | 1 | FUEL LINE INLET | |
| 16 | 56305851 | 1 | CONDUIT | |
| 17 | 56481997 | 1 | CLAMP | |

Part Notes:

- [1] - (CR 1200 AND CR 1400 MODELS / 1-17, EXCEPT 2 AND 4)
EXPIRED NO REPLACEMENT
- [2] - NOTE 1
- [3] - NOT SHOWN
- [4] - (CR 1200 AND CR 1400 MODELS)



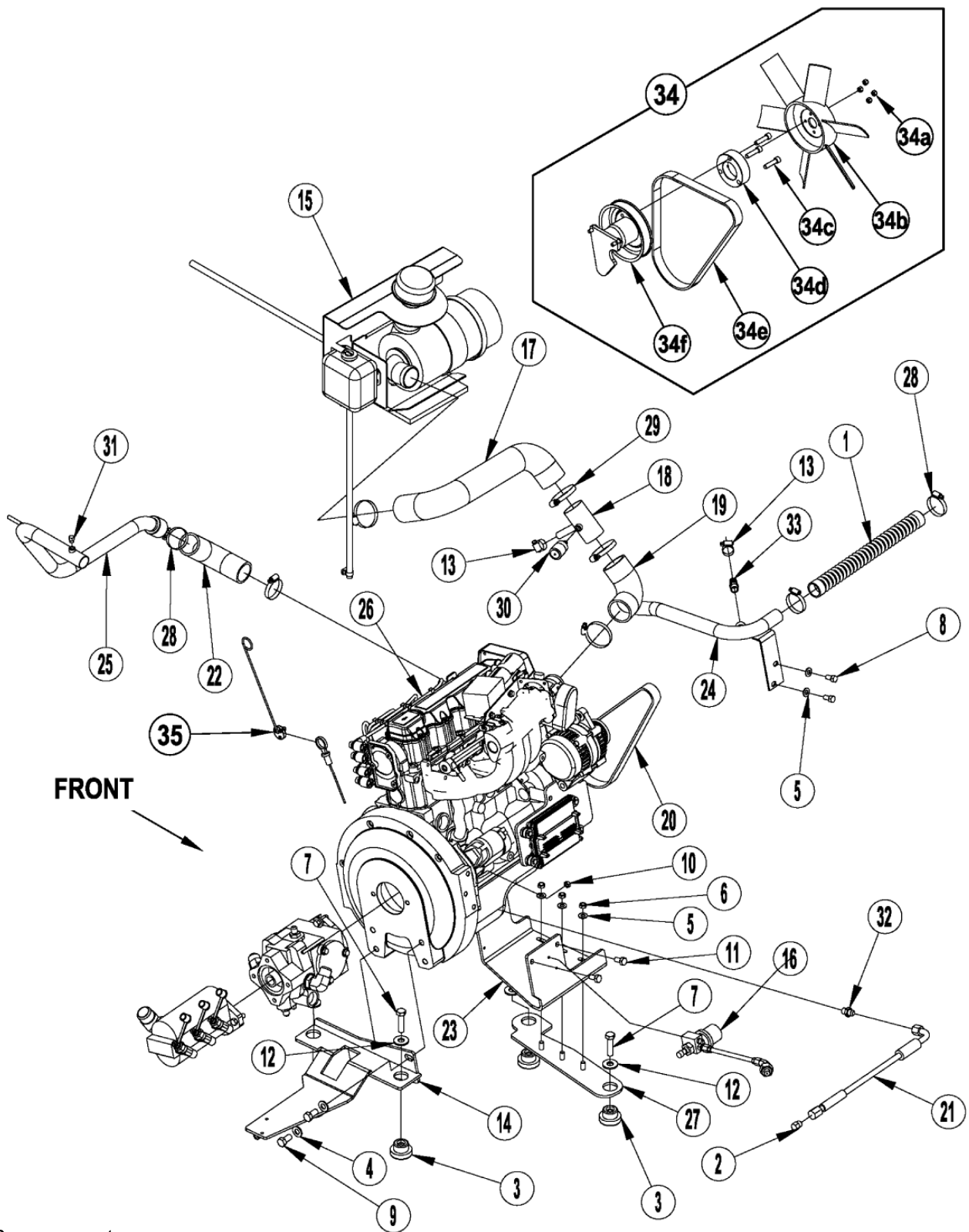
Resource notes:

NOTE 1: These items are not used on the HT models 56307236 & 56307238. NOTE 2: These items are only used on the HT models 56307236 & 56307238.

| Pos. | Artikel-Nr. | Menge | Variante | Notes |
|------|-------------|-------|--------------------------------|-------|
| 01 | 56418471 | 1 | Verschluss zu CR 1300 | |
| 03 | 56469193 | 1 | CLAMP SET BATTERY | |
| 04 | 56001854 | 1 | SCHRAUBE HEX HD1/4-20X.50 | [1] |
| 05 | 56009018 | 2 | SCHRAUBE 1/4-20X3/4 HP5 | [1] |
| 06 | 56009033 | 3 | Schraube 1/4-20X1 2HP 5 | |
| 07 | 56009063 | 1 | SCR HEX THD FORM 10-24X .25 | |
| 08 | 56304843 | 1 | CIRCUIT BREAKER PANEL ASSEMBLY | |
| 09 | 56305485 | 1 | Bedienfeld kpl. f. | |
| 10 | 56305436 | 1 | Tür, hinten links | [2] |
| 11 | 56305900 | 1 | HEAT SHIELD | |
| 12 | 56305933 | 1 | RADIATOR ASSEMBLY | |
| 12 | 56307046 | 1 | RADIATOR ASSEMBLY | [3] |
| 13 | 56307224 | 1 | ENGINE GM 1.6L AR 2007 ASSY | [4] |
| 13 | 56306023 | 1 | ENGINE GM 1.6L 2007 ASSY | [5] |
| 14 | 56306030 | 1 | ASSEMBLY EXHAUST | |
| 14 | 56307240 | 1 | EXHAUST ASSEMBLY | [4] |
| 15 | 56306038 | 1 | HEAT SHIELD | |
| 16 | 56306041 | 1 | BELT GUARD WELDMENT | [1] |
| 17 | 56306077 | 1 | GASOLINE FUEL ASSY | [6] |
| 17 | 56307231 | 1 | GASOLINE FUEL ASSY | [7] |
| 18 | 56307225 | 2 | COOLER KIT | [4] |
| 18 | 56501005 | 2 | ANTI-FREEZE | [8] |

Part Notes:

- [1] - NOTE 1
- [2] - CR 1200 and CR 1400 models
- [3] - NOTE 2
- [4] - NOTE 2
SEE PI 2017-002
- [5] - SEE PI 2017-002
- [6] - CR 1200 and CR 1400 models
EXPIRED NO REPLACEMENT
- [7] - NOTE 2
EXPIRED NO REPLACEMENT
- [8] - Not shown



Resource notes:

NOTE 1: These items are not used on the HT models 56307236 & 56307238. NOTE 2: These items are only used on the HT models 56307236 & 56307238 NOTE 3: See additional PSI engine replacement parts. Pos. 40 to 121 = Not Shown

| Pos. | Artikel-Nr. | Menge | Variante | Notes |
|------|-------------|-------|---------------------------|-------|
| 01 | 56456304 | 1 | Kühlerschlauch 15" | |
| 02 | 56462247 | 1 | PLUG-6 E00551 | |
| 03 | 56478685 | 4 | Silentblock CR 1200 | |
| 04 | 56001879 | 2 | U-SCHEIBEN | |
| 05 | 56002063 | 5 | "U-Scheibe 3/8"" | |
| 06 | 56002841 | 3 | NUT HEX NYL LOC-THIN 3/8 | |
| 07 | 56002983 | 4 | SCR HEX 1/2-13x2.00 | |
| 08 | 56003079 | 2 | SCR HEX HD LOC 3/8-16X1 | |
| 09 | 56003083 | 2 | Radbolzen | |
| 10 | 56003352 | 1 | NUT HEX M8 | |
| 100 | 56504505 | 1 | COVER FLYWHEEL HOUSING | |
| 101 | 56504501 | 1 | FLYWHEEL | |
| 102 | 56306193 | 1 | PUMP OIL | |
| 103 | 56504454 | 1 | GASKET OIL PUMP | |
| 104 | 56504461 | 1 | SPROCKET CRANK | |
| 105 | 56504462 | 1 | SPROCKET CAMSHAFT | |
| 106 | 56504463 | 1 | TENSIONER TIMING BELT | |
| 107 | 56504464 | 1 | GASKET OIL PAN | |
| 108 | 56504465 | 1 | SEAL CAMSHAFT | |
| 109 | 56504466 | 1 | CAMSHAFT | |
| 11 | 56003442 | 4 | SCR HEX LOC M10-1.50X20MM | |
| 110 | 56504467 | 1 | ARM VALVE ROCKER | |
| 111 | 56504480 | 1 | PVC - Bogen | |
| 112 | 56504484 | 1 | Kühlwasserrohr | |
| 113 | 56504488 | 1 | COVER TIMING BELT OUTER | |
| 114 | 56504489 | 1 | COVER TIMING BELT INNER T | |
| 115 | 56504490 | 1 | COVER TIMING BELT INNER B | |
| 116 | 56504491 | 1 | NUT INTAKE MANIFOLD | |
| 117 | 56504512 | 1 | ADJUSTER HYD VALVE LASH | |
| 118 | 56504518 | 1 | Relais Kraftstoffpumpe | |
| 119 | 56504519 | 1 | SEAL-OIL PUMP-GM1.6L | |
| 12 | 56009115 | 4 | WSH FLT HARDENED .594X1. | |
| 120 | 56504526 | 1 | HOUSING-CAMSHAFT-GM1.6L | |
| 121 | 56504530 | 1 | COVER-CAMSHAFT-HOUSING | |
| 13 | 2-00-03407 | 2 | CLAMP-WITTECK-10P | |
| 14 | 56304625 | 1 | WELDMENT REAR MOUNT | |
| 15 | 56307140 | 1 | AIR FILTER ASSEMBLY | [1] |
| 15 | 56304904 | 1 | Lufffilter kpl. f. CR1200 | [2] |
| 16 | 56305098 | 1 | Öldruckschalter | |
| 16 | 56305619 | 1 | Öldruckschalter | |
| 16 | 56305094 | 1 | OIL SWITCH ASSEMBLY | |
| 17 | 56305113 | 1 | Kühlerschlauch | |
| 18 | 56305240 | 1 | TUBE WELDMENT | |
| 19 | 56305241 | 1 | Schlauch geformt | |
| 20 | 56305242 | 1 | Keilriemen POLY VEE | [3] |
| 21 | 56305374 | 1 | HOSE ASSEMBLY | |
| 22 | 56305458 | 1 | HOSE FORMED | |
| 23 | 56305910 | 1 | ENGINE MOUNT FRONT | |
| 24 | 56305946 | 1 | TUBE WELDMENT | [4] |
| 25 | 56305948 | 1 | TUBE WELDMENT | |
| 26 | 56111874 | 1 | ENGINE-GM 1.6L PSI PETROL | |
| 27 | 56306032 | 1 | PLATE ENGINE MOUNT | |
| 28 | 2-00-03404 | 4 | Klammer | [5] |
| 29 | 56440213 | 4 | Schlauchbride | |
| 30 | 56478461 | 1 | ANZEIGEGERAET | |
| 31 | 2-00-03778 | 1 | HEX HD 1/8 NPT PLUG | |
| 32 | 56900300 | 1 | CONN.MALE METRIC | |
| 33 | 56456436 | 1 | Schlauchverbinder | |
| 34 | 56307082 | 1 | FAN ASSEMBLY | [1] |

Gasoline/Petrol Engine Assembly - CR 1200/1400 - Engine from 2007

CR 1200 D/P/LPG

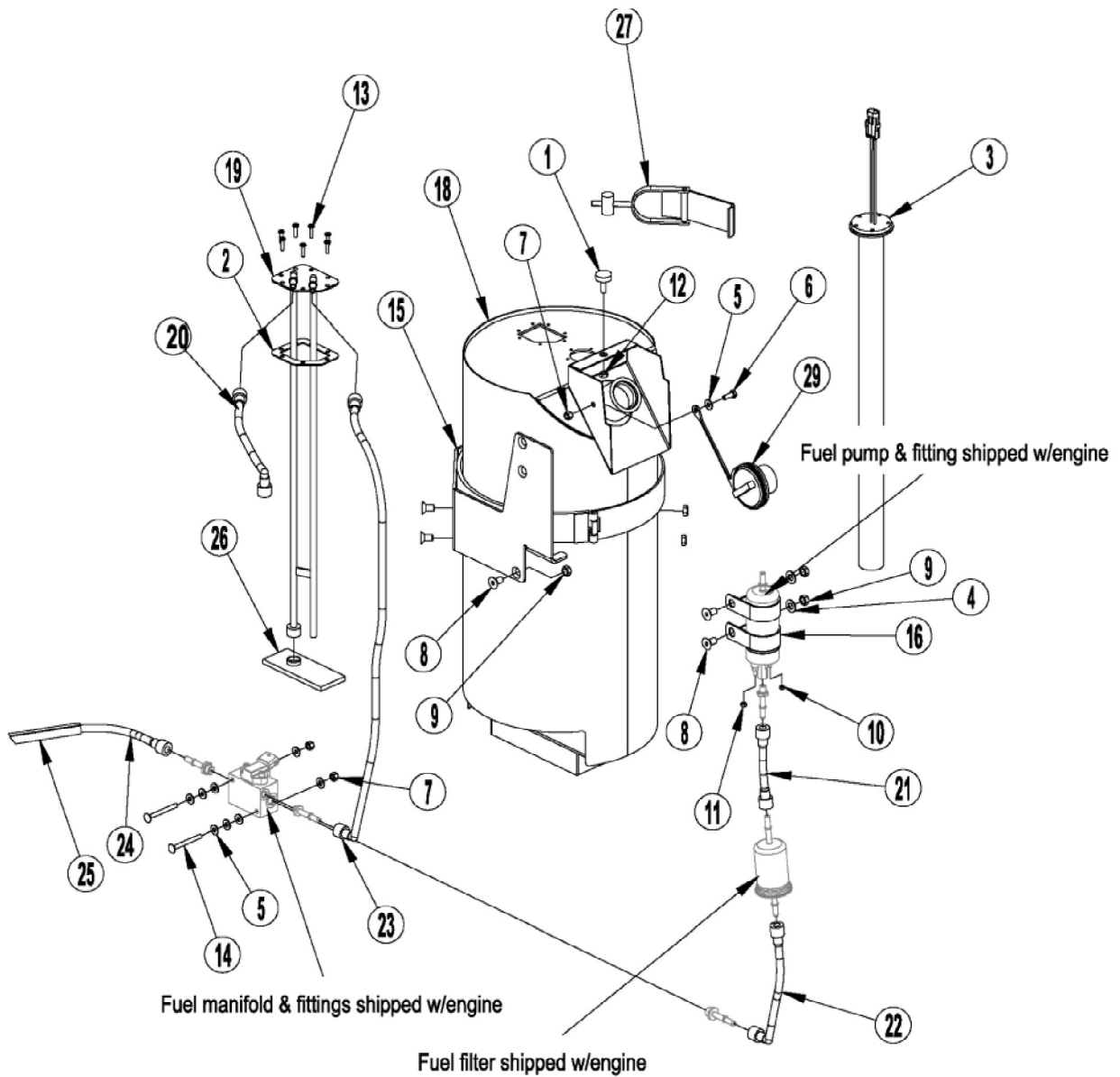
2016.02.09

| Pos. | Artikel-Nr. | Menge | Variante | Notes |
|------|-------------|-------|--------------------------------|-------|
| 34A | 56003284 | 4 | NUT HEX NYL LOC 1/4-28 | [6] |
| 34B | 56418718 | 1 | Motorlufterrad | [6] |
| 34C | 56002316 | 3 | SCR SOC HD 3/8-16 X 1.50 | [6] |
| 34D | 56419617 | 1 | FAN SPACER ASSEMBLY | [6] |
| 34E | 56307088 | 1 | BELT FAN | [6] |
| 34F | 56307093 | 1 | FAN DRIVE KIT | [6] |
| 35 | 56307192 | 1 | KIT DIPSTICK EXTENDER | [4] |
| 40 | 56496276 | 1 | Klammer | [6] |
| 41 | 56305273 | 1 | Lichtmaschine 70A | [2] |
| 42 | 56504499 | 1 | ARM ALTERNATOR ADJUSTMENT | |
| 43 | 56504500 | 1 | BRACKET ALTERNATOR PIVOT | |
| 44 | 56304794 | 1 | Zündspule | |
| 45 | 56305411 | 1 | Thermostat kit | |
| 46 | 56305275 | 1 | Anlasser Motor GM 1,6L | |
| 47 | 56305242 | 1 | Keilriemen POLY VEE | |
| 48 | 56305403 | 1 | Sensor Kühlwasser | |
| 49 | 56305404 | 1 | Crank Pos Sensor | |
| 50 | 56109033 | 1 | Gashebel gehäuse | |
| 51 | 56305405 | 1 | Map Sensor | |
| 52 | 56305271 | 1 | Abdichtung Abgas | |
| 53 | 56504503 | 1 | MANIFOLD INTAKE | |
| 54 | 56504502 | 1 | PULLEY CRANK | |
| 55 | 56111874 | 1 | ENGINE-GM 1.6L PSI PETROL | |
| 56 | 56305272 | 1 | Öl-Filter Patrone | |
| 57 | 56504543 | 1 | BRACKET-CRANK-SENSOR | |
| 58 | 56504504 | 1 | DIPSTICK OIL | |
| 59 | 56504537 | 1 | TUBE-DIPSTICK-SILVER | |
| 60 | 56109005 | 1 | Sensor O2 Pre Cat | [7] |
| 61 | 7-11-04081 | 2 | O2 Sensor (Post-Catcon) | [8] |
| 62 | 56110914 | 1 | WIRE HARNESS PETROL ENGINE | [7] |
| 63 | 56111881 | 1 | HARNESS-PSI PETROL WIRE | [9] |
| 64 | 56305596 | 1 | Stecker/Kabel-Kit | |
| 65 | 56305979 | 4 | Spark Plug | |
| 66 | | 1 | Fuel Pressure Regulator | [10] |
| 67 | 56305401 | 1 | PUMP DRIVE PLATE | |
| 68 | 56305098 | 1 | Öldruckschalter | |
| 69 | 56305986 | 1 | Wasserpumpe | |
| 70 | 56305987 | 1 | PCV Ventil | |
| 71 | 56504429 | 1 | Hauptrelais Motor | |
| 72 | 56508398 | 1 | ECU Benzin | [7] |
| 73 | 56111880 | 1 | ECU-PSI PETROL | [9] |
| 74 | 56305274 | 4 | Petrol Injector | |
| 75 | 56305062 | 1 | Kraftstoffpumpe (Benzin) | |
| 76 | 56305412 | 1 | Benzinfilter | |
| 77 | 56109033 | 1 | Gashebel gehäuse | |
| 78 | 56109034 | 1 | Abdichtung Gasgehäuse | |
| 79 | 56109052 | 1 | Verschraubung | |
| 80 | 56306100 | 1 | Kraftstoffleiste | |
| 81 | 7-11-04082 | 1 | MANIFOLD FUEL TEMP-RETURN | |
| 82 | 7-11-04083 | 1 | Fitting, -6 SAE x 5/16 | |
| 83 | 7-11-04084 | 1 | FITTING -3 STOR-5/16 SAE J2044 | |
| 84 | 56305988 | 1 | Timing Belt (Cam) | |
| 85 | 56504463 | 1 | TENSIONER TIMING BELT | |
| 86 | 56109279 | 1 | CAM SHAFT GASKET 1.6L GM | |
| 87 | 56109280 | 1 | CYLINDER HEAD GASKET 1.6L GM | |
| 88 | 56109281 | 1 | CYLINDER HEAD 1.6L GM | |
| 89 | 56109282 | 1 | EXHAUST VALVE 1.6L GM | |
| 90 | 56109283 | 1 | INTAKE VALVE 1.6L GM | |
| 91 | 56109284 | 1 | Dichtung f Auspuffkrümmer | |

| Pos. | Artikel-Nr. | Menge | Variante | Notes |
|------|-------------|-------|-------------------------|-------|
| 92 | 56508791 | 1 | INTAKE GASKET | |
| 93 | 56109286 | 1 | Dichtung | |
| 94 | 56109287 | 1 | VALVE STEM SEAL 1.6L GM | |
| 95 | 56109288 | 1 | OIL CAP 1.6L GM | |
| 96 | 56109289 | 1 | OIL SEAL O-RING 1.6L GM | |
| 97 | 56504426 | 1 | Auspuffkrümmer | |
| 98 | 56504429 | 1 | Hauptrelais Motor | |
| 99 | 56504451 | 1 | FLYWHEEL HOUSING | [11] |

Part Notes:

- [1] - NOTE 2
SEE PI 2017-002
- [2] - EXPIRED NO REPLACEMENT
- [3] - NOTE 1
- [4] - SEE PI 2017-002
- [5] - EXPIRED USE 56329145
- [6] - NOTE 2
- [7] - (before SN1000042994)
- [8] - (post & pre cat after SN1000042993)
- [9] - (after SN1000042993)
- [10] - Fuel Pressure Regulator
- [11] - NO LONGER AVAILABLE



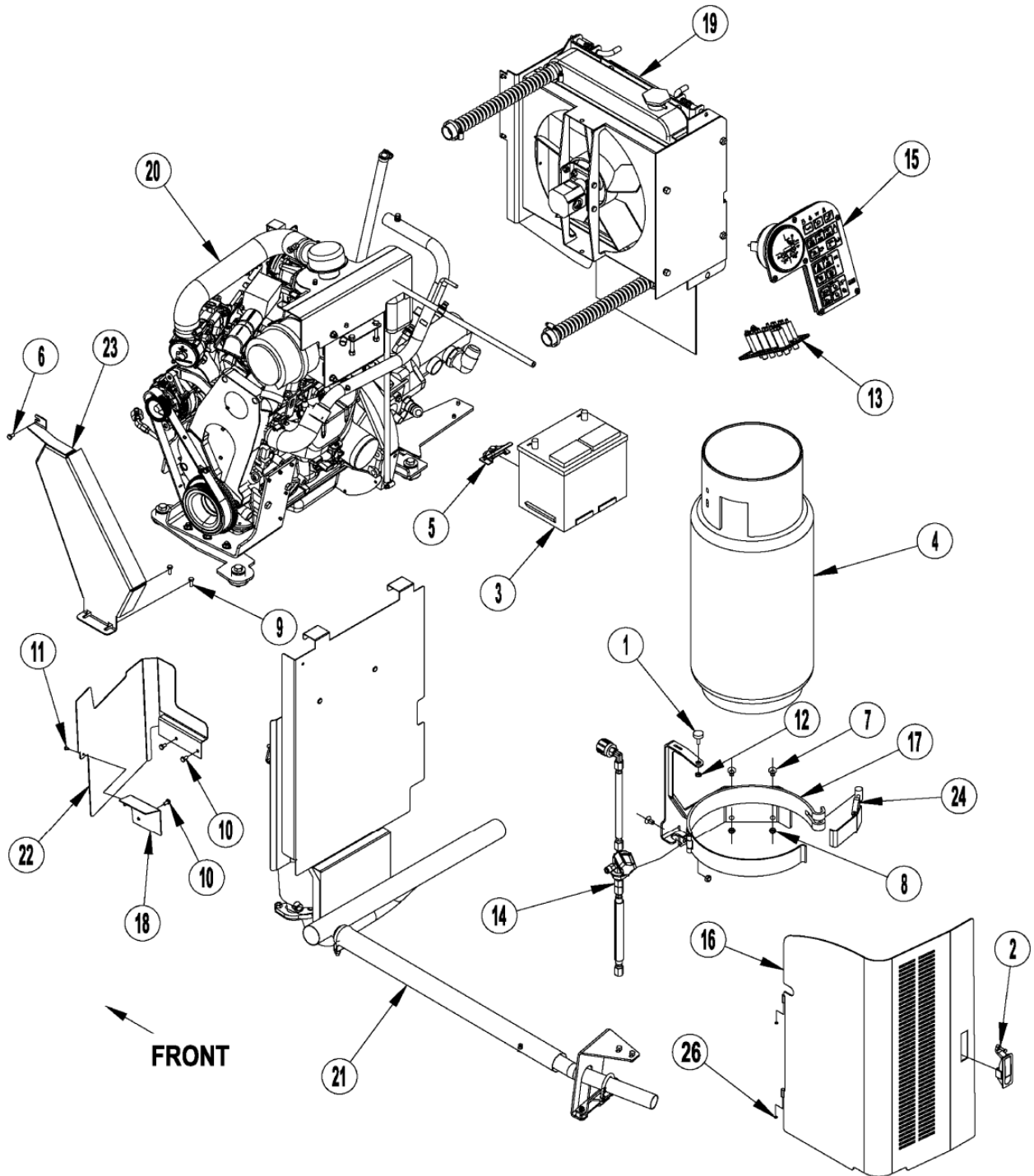
Resource notes:

NOTE 1: These items are only used on the HT models 56307236 & 56307238.

| Pos. | Artikel-Nr. | Menge | Variante | Notes |
|------|-------------|-------|--------------------------------|-------|
| | 56306077 | 1 | GASOLINE FUEL ASSY | [1] |
| | 56307231 | 1 | GASOLINE FUEL ASSY | [2] |
| 02 | 56418795 | 1 | GASKET | |
| 03 | 56455567 | 1 | Tanksensor | |
| 04 | 56002063 | 2 | "U-Scheibe 3/8"" | |
| 05 | 56002098 | 9 | Scheibe | |
| 06 | 56002155 | 1 | SCR HEX 1/4-20 X .75 | |
| 07 | 56002708 | 3 | Stopmutter 1/4-20 | |
| 08 | 56002748 | 5 | SCR FLT SOC 3/8-16 X .75 | |
| 09 | 56002841 | 5 | NUT HEX NYL LOC-THIN 3/8 | |
| 10 | 56003351 | 1 | NUT HEX M4 | |
| 11 | 56003364 | 1 | NUT HEX M5 | |
| 13 | 56009209 | 7 | SCR PAN PHIL THDFORM10-24X1.00 | |
| 14 | 56009276 | 2 | Schraube | |
| 15 | 56304865 | 1 | WELDMENT PROPANE TANK BRACKET | |
| 16 | 56305492 | 2 | CLAMP P | |
| 17 | 56305790 | 1 | WIRE ASM PIGTAIL | |
| 18 | 56306066 | 1 | GASOLINE TANK WELDT | [3] |
| 19 | 56306069 | 1 | ADAPTOR WELDT | [4] |
| 20 | 56306085 | 1 | FUEL HOSE ASSY | |
| 21 | 56306086 | 1 | FUEL HOSE ASSY | [5] |
| 22 | 56306087 | 1 | FUEL HOSE ASSY | |
| 23 | 56306088 | 1 | FUEL HOSE ASSY | |
| 24 | 56306089 | 1 | FUEL HOSE ASSY | [5] |
| 25 | 56306092 | 1 | CONDUIT BLACK 50 | [5] |
| 26 | 56419307 | 1 | Dieselfiltersieb CR 1400 | |
| 27 | 56481997 | 1 | CLAMP | |
| 28 | 56508003 | 1 | HARNESS GASOLINE SENSOR | |
| 29 | 56508354 | 1 | Deckel Benzintank | |
| 29 | 56307232 | 1 | FUEL CAP LOCKING | [6] |

Part Notes:

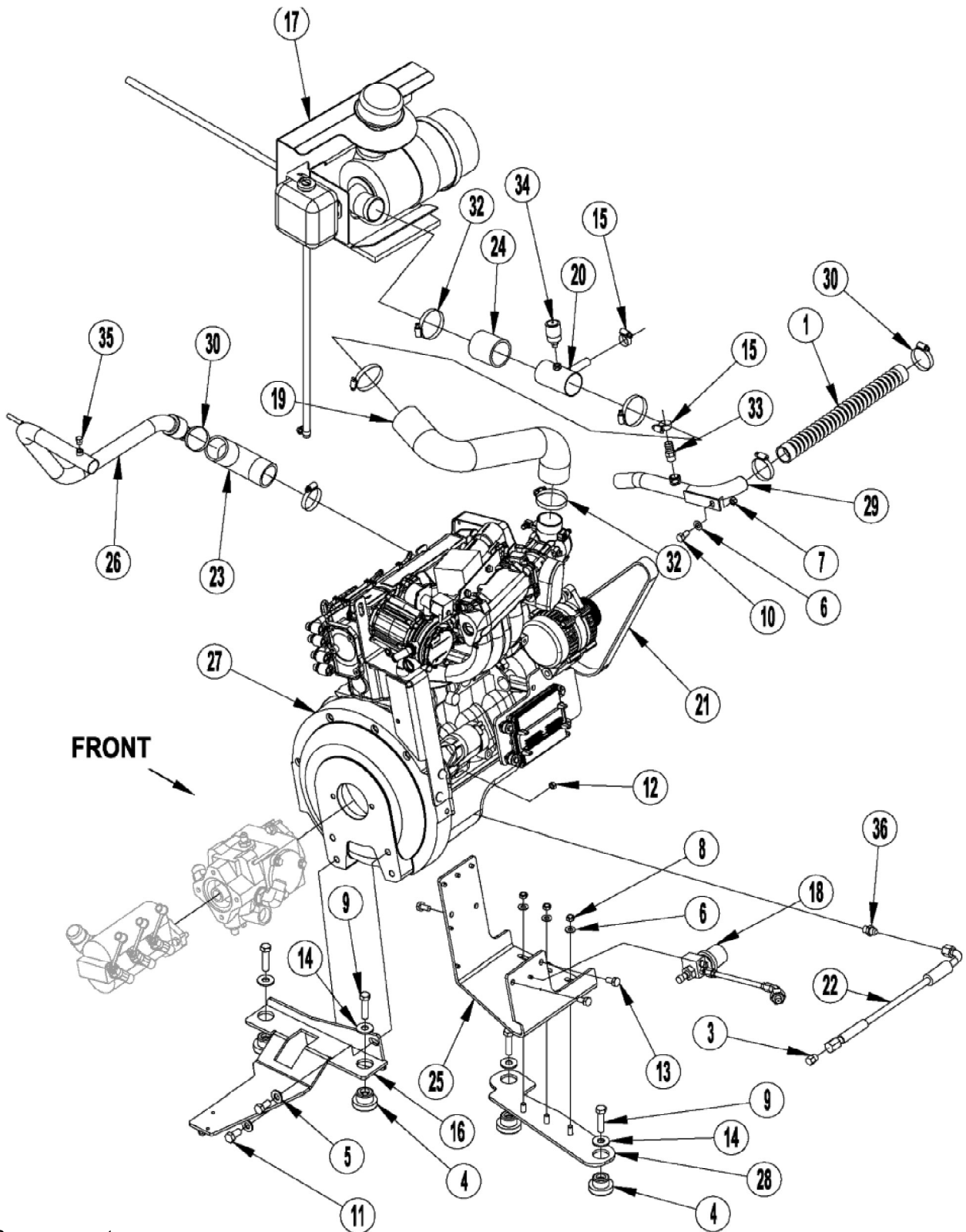
- [1] - (CR 1200 AND CR 1400 MODELS / 1-29 EXCEPT 1 & 12)
EXPIRED NO REPLACEMENT
- [2] - (1-29 EXCEPT 1 AND 12) NOTE 1
EXPIRED NO REPLACEMENT
- [3] - (CR 1200 AND CR 1400 MODELS)
- [4] - NO LONGER AVAILABLE
- [5] - SEE PI 2017-002
- [6] - NOTE 1
SEE PI 2017-002



| Pos. | Artikel-Nr. | Menge | Variante | Notes |
|------|-------------|-------|--------------------------------|-------|
| 02 | 56418471 | 1 | Verschluss zu CR 1300 | |
| 04 | 56456590 | 1 | Gas Tank | |
| 05 | 56469193 | 1 | CLAMP SET BATTERY | |
| 06 | 56001854 | 1 | SCHRAUBE HEX HD1/4-20X.50 | |
| 07 | 56002748 | 3 | SCR FLT SOC 3/8-16 X .75 | |
| 08 | 56002769 | 3 | Stopmutter 3/8-16 | |
| 09 | 56009018 | 2 | SCHRAUBE 1/4-20X3/4 HP5 | |
| 10 | 56009033 | 3 | Schraube 1/4-20X1 2HP 5 | |
| 11 | 56009063 | 1 | SCR HEX THD FORM 10-24X .25 | |
| 13 | 56304843 | 1 | CIRCUIT BREAKER PANEL ASSEMBLY | |
| 14 | 56305089 | 1 | Gasanschlußkit m. Filter | |
| 15 | 56305230 | 1 | PROPANE GAUGE PANEL ASSEMBLY | |
| 16 | 56305300 | 1 | DOOR WELDMENT PROPANE | [1] |
| 17 | 56304865 | 1 | WELDMENT PROPANE TANK BRACKET | [1] |
| 18 | 56305900 | 1 | HEAT SHIELD | |
| 19 | 56305933 | 1 | RADIATOR ASSEMBLY | |
| 20 | 56306020 | 1 | ENGINE GM 1.6L 2007 LP ASSY | [2] |
| 21 | 56306030 | 1 | ASSEMBLY EXHAUST | |
| 22 | 56306038 | 1 | HEAT SHIELD | |
| 23 | 56306041 | 1 | BELT GUARD WELDMENT | |
| 24 | 56481997 | 1 | CLAMP | |
| 24 | 56501005 | 2 | ANTI-FREEZE | [3] |

Part Notes:

- [1] - CR 1200 and CR 1400 models
- [2] - SEE PI 2017-002
- [3] - Not shown



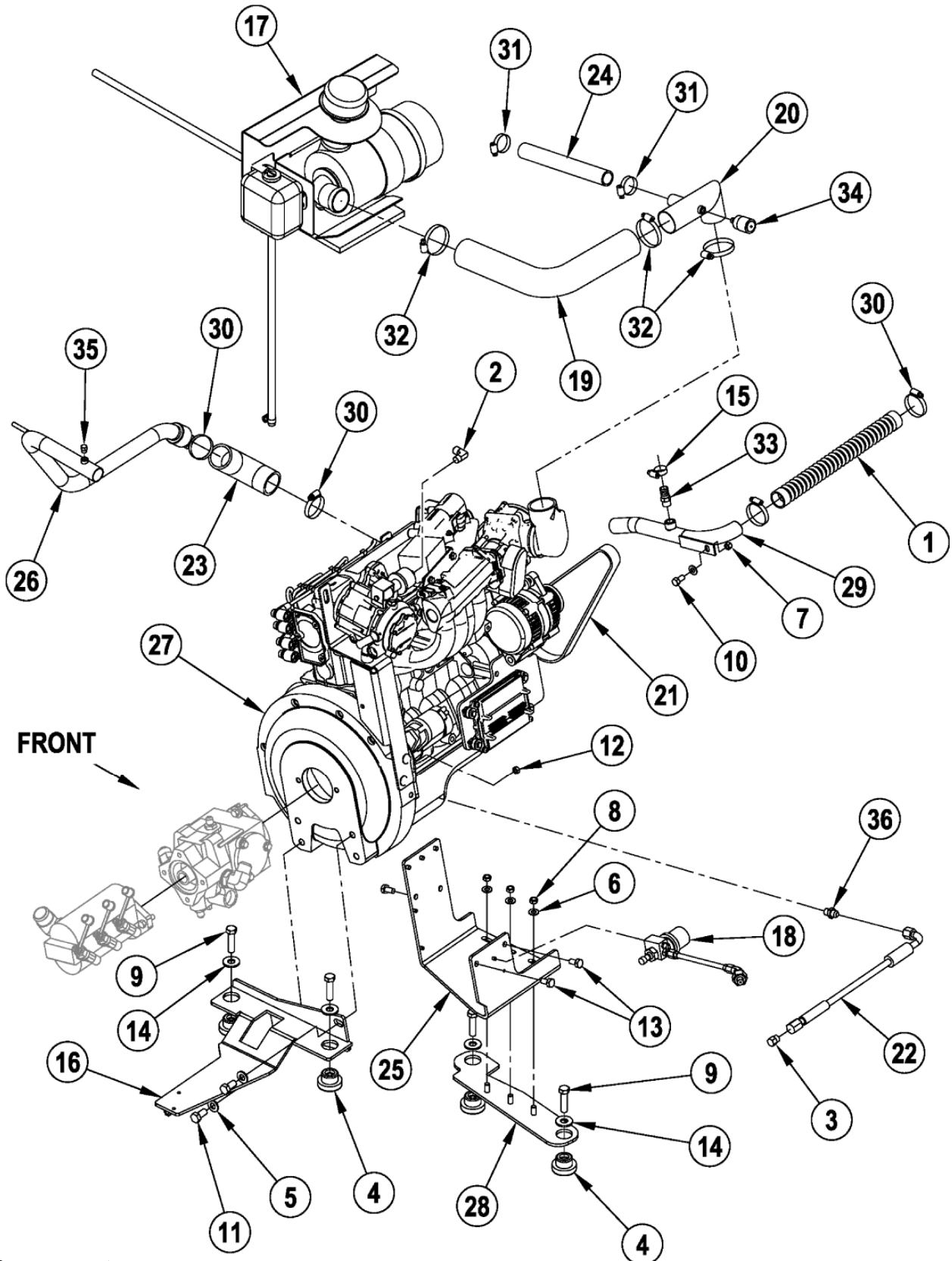
Resource notes:
Pos. 100 to 180 = Not shown

| Pos. | Artikel-Nr. | Menge | Variante | Notes |
|------|-------------|-------|------------------------------|-------|
| 01 | 56456304 | 1 | Kühlerschlauch 15" | |
| 03 | 56462247 | 1 | PLUG-6 E00551 | |
| 04 | 56478685 | 4 | Silentblock CR 1200 | |
| 05 | 56001879 | 2 | U-SCHEIBEN | |
| 06 | 56002063 | 6 | "U-Scheibe 3/8"" | |
| 07 | 56002701 | 1 | MUTTER 5-16-18 HEX JAM | |
| 08 | 56002841 | 3 | NUT HEX NYL LOC-THIN 3/8 | |
| 09 | 56002983 | 4 | SCR HEX 1/2-13x2.00 | |
| 10 | 56003079 | 3 | SCR HEX HD LOC 3/8-16X1 | |
| 100 | 56109005 | 1 | Sensor 02 Pre Cat | |
| 101 | 56109033 | 1 | Gashebel gehäuse | |
| 102 | 56109034 | 1 | Abdichtung Gasgehäuse | |
| 103 | 56109036 | 1 | GASKET ADAPTER-MIXER | |
| 104 | 56109040 | 1 | ADAPTER MIXER-THROTTLE BODY | |
| 105 | 56109041 | 2 | SEAL MIXER ADAPTER | |
| 106 | 56109042 | 1 | O-RING MIXER ADAPTER | |
| 107 | 56109043 | 1 | Elektronische Druckregler | |
| 108 | 56109044 | 1 | Sender LPG Temp EPR | |
| 109 | 56109045 | 1 | Fitting kit EPR | |
| 11 | 56003083 | 2 | Radbolzen | |
| 110 | 56109046 | 3 | ISOLATOR EPR | |
| 111 | 56109047 | 1 | HOSE WATER-EPR | |
| 112 | 56109278 | 1 | TIME BELT TENSIONER 1.6L GM | [1] |
| 113 | 56109279 | 1 | CAM SHAFT GASKET 1.6L GM | |
| 114 | 56109280 | 1 | CYLINDER HEAD GASKET 1.6L GM | |
| 115 | 56109281 | 1 | CYLINDER HEAD 1.6L GM | |
| 116 | 56109282 | 1 | EXHAUST VALVE 1.6L GM | |
| 117 | 56109283 | 1 | INTAKE VALVE 1.6L GM | |
| 118 | 56109284 | 1 | Dichtung f Auspuffkrümmer | |
| 119 | 56508791 | 1 | INTAKE GASKET | |
| 12 | 56003352 | 1 | NUT HEX M8 | |
| 120 | 56109286 | 1 | Dichtung | |
| 121 | 56109287 | 1 | VALVE STEM SEAL 1.6L GM | |
| 122 | 56109288 | 1 | OIL CAP 1.6L GM | |
| 123 | 56109289 | 1 | OIL SEAL O-RING 1.6L GM | |
| 124 | 56110864 | 1 | WIRE HARNESS LP ENGINE | |
| 125 | 56304794 | 1 | Zundspüle | |
| 126 | 56305098 | 1 | Öldruckschalter | |
| 127 | 56305242 | 1 | Keilriemen POLY VEE | |
| 128 | 56305271 | 1 | Abdichtung Abgas | |
| 129 | 56305272 | 1 | Öl-Filter Patrone | |
| 13 | 56003442 | 4 | SCR HEX LOC M10-1.50X20MM | |
| 130 | 56305273 | 1 | Lichtmaschine 70A | [2] |
| 131 | 56305401 | 1 | PUMP DRIVE PLATE | |
| 132 | 56305403 | 1 | Sensor Kühlwasser | |
| 133 | 56305404 | 1 | Crank Pos Sensor | |
| 134 | 56305405 | 1 | Map Sensor | |
| 135 | 56305410 | 1 | LP Filterpatrone | |
| 136 | 56305411 | 1 | Thermostat kit | |
| 137 | 56305596 | 1 | Stecker/Kabel-Kit | |
| 138 | 56305979 | 4 | Spark Plug | |
| 139 | 56305986 | 1 | Wasserpumpe | |
| 14 | 56009115 | 4 | WSH FLT HARDENED .594X1. | |
| 140 | 56305987 | 1 | PCV Ventil | |
| 141 | 56305988 | 1 | Timing Belt (Cam) | |
| 142 | 56109033 | 1 | Gashebel gehäuse | |
| 143 | 56305275 | 1 | Anlasser Motor GM 1,6L | |
| 144 | 56306101 | 1 | Mixer | |
| 145 | 56306193 | 1 | PUMP OIL | |

| Pos. | Artikel-Nr. | Menge | Variante | Notes |
|------|-------------|-------|---------------------------|-------|
| 146 | 56504426 | 1 | Auspuffkrümmer | |
| 147 | 56504429 | 1 | Hauptrelais Motor | |
| 148 | 56504450 | 1 | KIT LP TEST | |
| 149 | 56504451 | 1 | FLYWHEEL HOUSING | [3] |
| 15 | 2-00-03407 | 2 | CLAMP-WITTECK-10P | |
| 150 | 56504454 | 1 | GASKET OIL PUMP | |
| 151 | 56504461 | 1 | SPROCKET CRANK | |
| 152 | 56504462 | 1 | SPROCKET CAMSHAFT | |
| 153 | 56504463 | 1 | TENSIONER TIMING BELT | |
| 154 | 56504464 | 1 | GASKET OIL PAN | |
| 155 | 56504465 | 1 | SEAL CAMSHAFT | |
| 156 | 56504466 | 1 | CAMSHAFT | |
| 157 | 56504467 | 1 | ARM VALVE ROCKER | |
| 158 | 56504480 | 1 | PVC - Bogen | |
| 159 | 56504484 | 1 | Kühlwasserrohr | |
| 16 | 56304625 | 1 | WELDMENT REAR MOUNT | |
| 160 | 56504488 | 1 | COVER TIMING BELT OUTER | |
| 161 | 56504489 | 1 | COVER TIMING BELT INNER T | |
| 162 | 56504490 | 1 | COVER TIMING BELT INNER B | |
| 163 | 56504491 | 1 | NUT INTAKE MANIFOLD | |
| 164 | 56504499 | 1 | ARM ALTERNATOR ADJUSTMENT | |
| 165 | 56504500 | 1 | BRACKET ALTERNATOR PIVOT | |
| 166 | 56504501 | 1 | FLYWHEEL | |
| 167 | 56504502 | 1 | PULLEY CRANK | |
| 168 | 56504503 | 1 | MANIFOLD INTAKE | |
| 169 | 56504504 | 1 | DIPSTICK OIL | |
| 17 | 56304904 | 1 | Luftfilter kpl. f. CR1200 | [2] |
| 170 | 56504505 | 1 | COVER FLYWHEEL HOUSING | |
| 171 | 56504506 | 1 | BLOCK ENGINE LONG | [4] |
| 172 | 56504512 | 1 | ADJUSTER HYD VALVE LASH | |
| 173 | 56504518 | 1 | Relais Kraftstoffpumpe | |
| 174 | 56504519 | 1 | SEAL-OIL PUMP-GM1.6L | |
| 175 | 56504526 | 1 | HOUSING-CAMSHAFT-GM1.6L | |
| 176 | 56504530 | 1 | COVER-CAMSHAFT-HOUSING | |
| 177 | 56504537 | 1 | TUBE-DIPSTICK-SILVER | |
| 178 | 56504543 | 1 | BRACKET-CRANK-SENSOR | |
| 179 | 56507815 | 1 | ECU LP | |
| 18 | 56305094 | 1 | OIL SWITCH ASSEMBLY | |
| 180 | 56508936 | 1 | VALVE-FUEL LOCKOFF | |
| 181 | 7-11-04081 | 1 | O2 Sensor (Post-Catcon) | |
| 19 | 56305113 | 1 | Kühlerschlauch | |
| 20 | 56305240 | 1 | TUBE WELDMENT | |
| 21 | 56305242 | 1 | Keilriemen POLY VEE | |
| 22 | 56305374 | 1 | HOSE ASSEMBLY | |
| 23 | 56305458 | 1 | HOSE FORMED | |
| 24 | 56305490 | 1 | HOSE CONNECTOR | |
| 25 | 56305910 | 1 | ENGINE MOUNT FRONT | |
| 26 | 56305948 | 1 | TUBE WELDMENT | |
| 27 | 56306201 | | ENGINE-1.6L GM PSI LP | [5] |
| 27 | 56111874 | 1 | ENGINE-GM 1.6L PSI PETROL | |
| 28 | 56306032 | 1 | PLATE ENGINE MOUNT | |
| 29 | 56306044 | 1 | TUBE WELDMENT | |
| 30 | 2-00-03404 | 4 | Klammer | [6] |
| 32 | 56440213 | 4 | Schlauchbride | |
| 33 | 56456436 | 1 | Schlauchverbinder | |
| 34 | 56478461 | 1 | ANZEIGEGERAET | |
| 35 | 2-00-03778 | 1 | HEX HD 1/8 NPT PLUG | |
| 36 | 56900300 | 1 | CONN.MALE METRIC | |

Part Notes:

- [1] - EXPIRED USE 56504463
- [2] - EXPIRED NO REPLACEMENT
- [3] - NO LONGER AVAILABLE
- [4] - LP-56306201 PTRL-56111874
- [5] - EXPIRED USE 56504506
- [6] - EXPIRED USE 56329145



Resource notes:

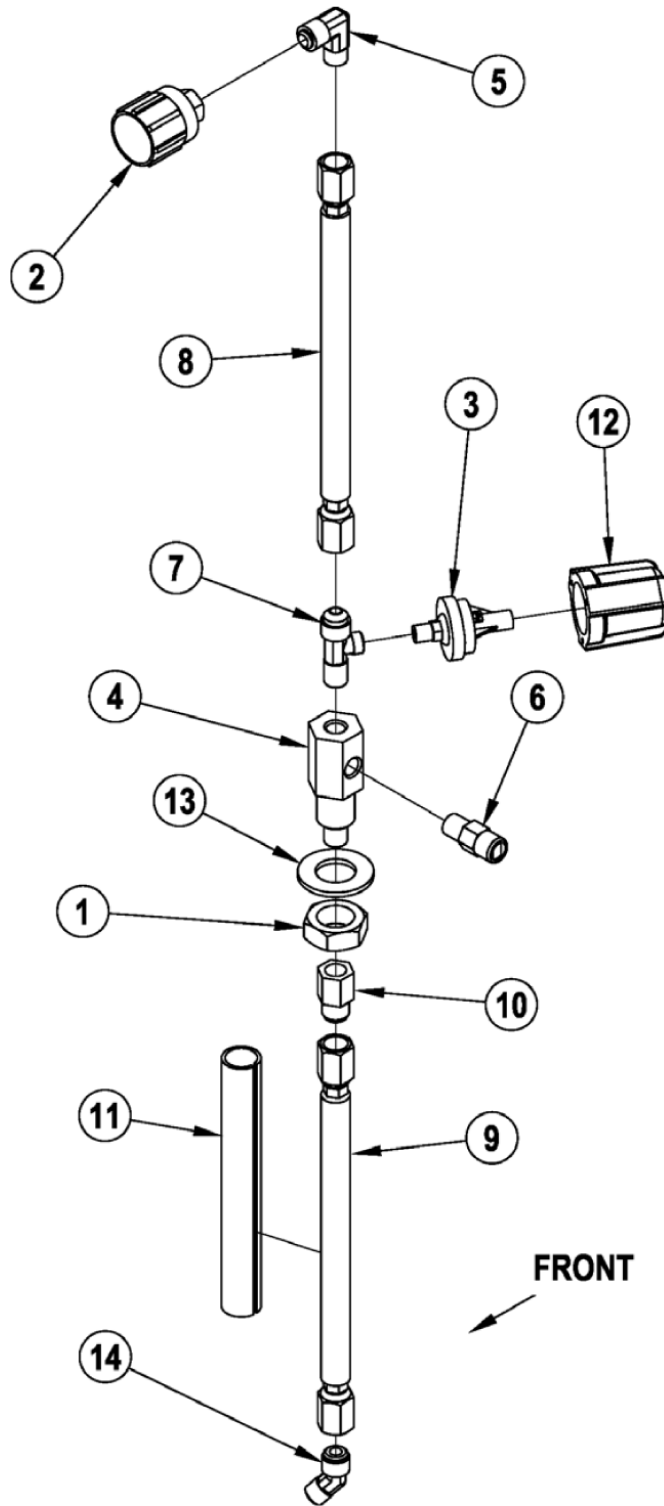
NOTE 1: See additional engine replacement parts. - GM 1.6L REPLACEMENT PARTS - PSI Pos 100 to 180 = Not shown

| Pos. | Artikel-Nr. | Menge | Variante | Notes |
|------|-------------|-------|------------------------------|-------|
| 01 | 56456304 | 1 | Kühlerschlauch 15" | |
| 02 | 56456608 | 1 | Elbow 90 DEG | |
| 03 | 56462247 | 1 | PLUG-6 E00551 | |
| 04 | 56478685 | 4 | Silentblock CR 1200 | |
| 05 | 56001879 | 2 | U-SCHEIBEN | |
| 06 | 56002063 | 6 | "U-Scheibe 3/8"" | |
| 07 | 56002701 | 1 | MUTTER 5-16-18 HEX JAM | |
| 08 | 56002841 | 3 | NUT HEX NYL LOC-THIN 3/8 | |
| 09 | 56002983 | 4 | SCR HEX 1/2-13x2.00 | |
| 10 | 56003079 | 3 | SCR HEX HD LOC 3/8-16X1 | |
| 100 | 56109033 | 1 | Gashebel gehäuse | |
| 101 | 56109034 | 1 | Abdichtung Gasgehäuse | |
| 102 | 56109036 | 1 | GASKET ADAPTER-MIXER | |
| 103 | 56109040 | 1 | ADAPTER MIXER-THROTTLE BODY | |
| 104 | 56109041 | 2 | SEAL MIXER ADAPTER | |
| 105 | 56109042 | 1 | O-RING MIXER ADAPTER | |
| 106 | 56109043 | 1 | Elektronische Druckregler | |
| 107 | 56109044 | 1 | Sender LPG Temp EPR | |
| 108 | 56109045 | 1 | Fitting kit EPR | |
| 109 | 56109046 | 3 | ISOLATOR EPR | |
| 11 | 56003083 | 2 | Radbolzen | |
| 110 | 56109047 | 1 | HOSE WATER-EPR | |
| 111 | 56109278 | 1 | TIME BELT TENSIONER 1.6L GM | [1] |
| 112 | 56109279 | 1 | CAM SHAFT GASKET 1.6L GM | |
| 113 | 56109280 | 1 | CYLINDER HEAD GASKET 1.6L GM | |
| 114 | 56109281 | 1 | CYLINDER HEAD 1.6L GM | |
| 115 | 56109282 | 1 | EXHAUST VALVE 1.6L GM | |
| 116 | 56109283 | 1 | INTAKE VALVE 1.6L GM | |
| 117 | 56109284 | 1 | Dichtung f Auspuffkrümmer | |
| 118 | 56508791 | 1 | INTAKE GASKET | |
| 119 | 56109286 | 1 | Dichtung | |
| 12 | 56003352 | 1 | NUT HEX M8 | |
| 120 | 56109287 | 1 | VALVE STEM SEAL 1.6L GM | |
| 121 | 56109288 | 1 | OIL CAP 1.6L GM | |
| 122 | 56109289 | 1 | OIL SEAL O-RING 1.6L GM | |
| 123 | 56111879 | 1 | Mixer PSI Model 100 | |
| 124 | 56111883 | 1 | ECU-PSI LPG | |
| 125 | 56111884 | 1 | HARNESS-PSI LP WIRE | |
| 126 | 56304794 | 1 | Zündspule | |
| 127 | 56305098 | 1 | Öldruckschalter | |
| 128 | 56305242 | 1 | Keilriemen POLY VEE | |
| 129 | 56305271 | 1 | Abdichtung Abgas | |
| 13 | 56003442 | 4 | SCR HEX LOC M10-1.50X20MM | |
| 130 | 56305272 | 1 | Öl-Filter Patrone | |
| 131 | 56305273 | 1 | Lichtmaschine 70A | [2] |
| 132 | 56305401 | 1 | PUMP DRIVE PLATE | |
| 133 | 56305403 | 1 | Sensor Kühlwasser | |
| 134 | 56305404 | 1 | Crank Pos Sensor | |
| 135 | 56305405 | 1 | Map Sensor | |
| 136 | 56305410 | 1 | LP Filterpatrone | |
| 137 | 56305411 | 1 | Thermostat kit | |
| 138 | 56305596 | 1 | Stecker/Kabel-Kit | |
| 139 | 56305979 | 4 | Spark Plug | |
| 14 | 56009115 | 4 | WSH FLT HARDENED .594X1. | |
| 140 | 56305986 | 1 | Wasserpumpe | |
| 141 | 56305987 | 1 | PCV Ventil | |
| 142 | 56305988 | 1 | Timing Belt (Cam) | |
| 143 | 56109033 | 1 | Gashebel gehäuse | |
| 144 | 56305275 | 1 | Anlasser Motor GM 1,6L | |

| Pos. | Artikel-Nr. | Menge | Variante | Notes |
|------|-------------|-------|---------------------------|-------|
| 145 | 56306193 | 1 | PUMP OIL | |
| 146 | 56504426 | 1 | Auspuffkrümmer | |
| 147 | 56504429 | 1 | Hauptrelais Motor | |
| 148 | 56504450 | 1 | KIT LP TEST | |
| 149 | 56504451 | 1 | FLYWHEEL HOUSING | [3] |
| 15 | 2-00-03407 | 1 | CLAMP-WITTECK-10P | |
| 150 | 56504454 | 1 | GASKET OIL PUMP | |
| 151 | 56504461 | 1 | SPROCKET CRANK | |
| 152 | 56504462 | 1 | SPROCKET CAMSHAFT | |
| 153 | 56504463 | 1 | TENSIONER TIMING BELT | |
| 154 | 56504464 | 1 | GASKET OIL PAN | |
| 155 | 56504465 | 1 | SEAL CAMSHAFT | |
| 156 | 56504466 | 1 | CAMSHAFT | |
| 157 | 56504467 | 1 | ARM VALVE ROCKER | |
| 158 | 56504480 | 1 | PVC - Bogen | |
| 159 | 56504484 | 1 | Kühlwasserrohr | |
| 16 | 56304625 | 1 | WELDMENT REAR MOUNT | |
| 160 | 56504488 | 1 | COVER TIMING BELT OUTER | |
| 161 | 56504489 | 1 | COVER TIMING BELT INNER T | |
| 162 | 56504490 | 1 | COVER TIMING BELT INNER B | |
| 163 | 56504491 | 1 | NUT INTAKE MANIFOLD | |
| 164 | 56504499 | 1 | ARM ALTERNATOR ADJUSTMENT | |
| 165 | 56504500 | 1 | BRACKET ALTERNATOR PIVOT | |
| 166 | 56504501 | 1 | FLYWHEEL | |
| 167 | 56504502 | 1 | PULLEY CRANK | |
| 168 | 56504503 | 1 | MANIFOLD INTAKE | |
| 169 | 56504504 | 1 | DIPSTICK OIL | |
| 17 | 56304904 | 1 | Lufffilter kpl. f. CR1200 | [2] |
| 170 | 56504505 | 1 | COVER FLYWHEEL HOUSING | |
| 171 | 56504506 | 1 | BLOCK ENGINE LONG | [4] |
| 172 | 56504512 | 1 | ADJUSTER HYD VALVE LASH | |
| 173 | 56504518 | 1 | Relais Kraftstoffpumpe | |
| 174 | 56504519 | 1 | SEAL-OIL PUMP-GM1.6L | |
| 175 | 56504526 | 1 | HOUSING-CAMSHAFT-GM1.6L | |
| 176 | 56504530 | 1 | COVER-CAMSHAFT-HOUSING | |
| 177 | 56504537 | 1 | TUBE-DIPSTICK-SILVER | |
| 178 | 56504543 | 1 | BRACKET-CRANK-SENSOR | |
| 179 | 56508936 | 1 | VALVE-FUEL LOCKOFF | |
| 18 | 56305094 | 1 | OIL SWITCH ASSEMBLY | |
| 180 | 7-11-04081 | 2 | O2 Sensor (Post-Catcon) | |
| 19 | 56306205 | 1 | AIR INTAKE WELDT | |
| 21 | 56305242 | 1 | Keilriemen POLY VEE | |
| 22 | 56305374 | 1 | HOSE ASSEMBLY | |
| 23 | 56305458 | 1 | HOSE FORMED | |
| 24 | 56111891 | 1 | HOSE-BREATHER | |
| 25 | 56305910 | 1 | ENGINE MOUNT FRONT | |
| 26 | 56305948 | 1 | TUBE WELDMENT | |
| 27 | 56306201 | | ENGINE-1.6L GM PSI LP | [5] |
| 27 | 56111874 | 1 | ENGINE-GM 1.6L PSI PETROL | |
| 28 | 56306032 | 1 | PLATE ENGINE MOUNT | |
| 29 | 56306044 | 1 | TUBE WELDMENT | |
| 30 | 2-00-03404 | 4 | Klammer | [6] |
| 31 | 56131601 | 2 | CLAMP HOSE SAE 16_E00047 | |
| 32 | 56440213 | 4 | Schlauchbride | |
| 33 | 56456436 | 1 | Schlauchverbinder | |
| 34 | 56478461 | 1 | ANZEIGEGERAET | |
| 35 | 2-00-03778 | 1 | HEX HD 1/8 NPT PLUG | |
| 36 | 56900300 | 1 | CONN.MALE METRIC | |

Part Notes:

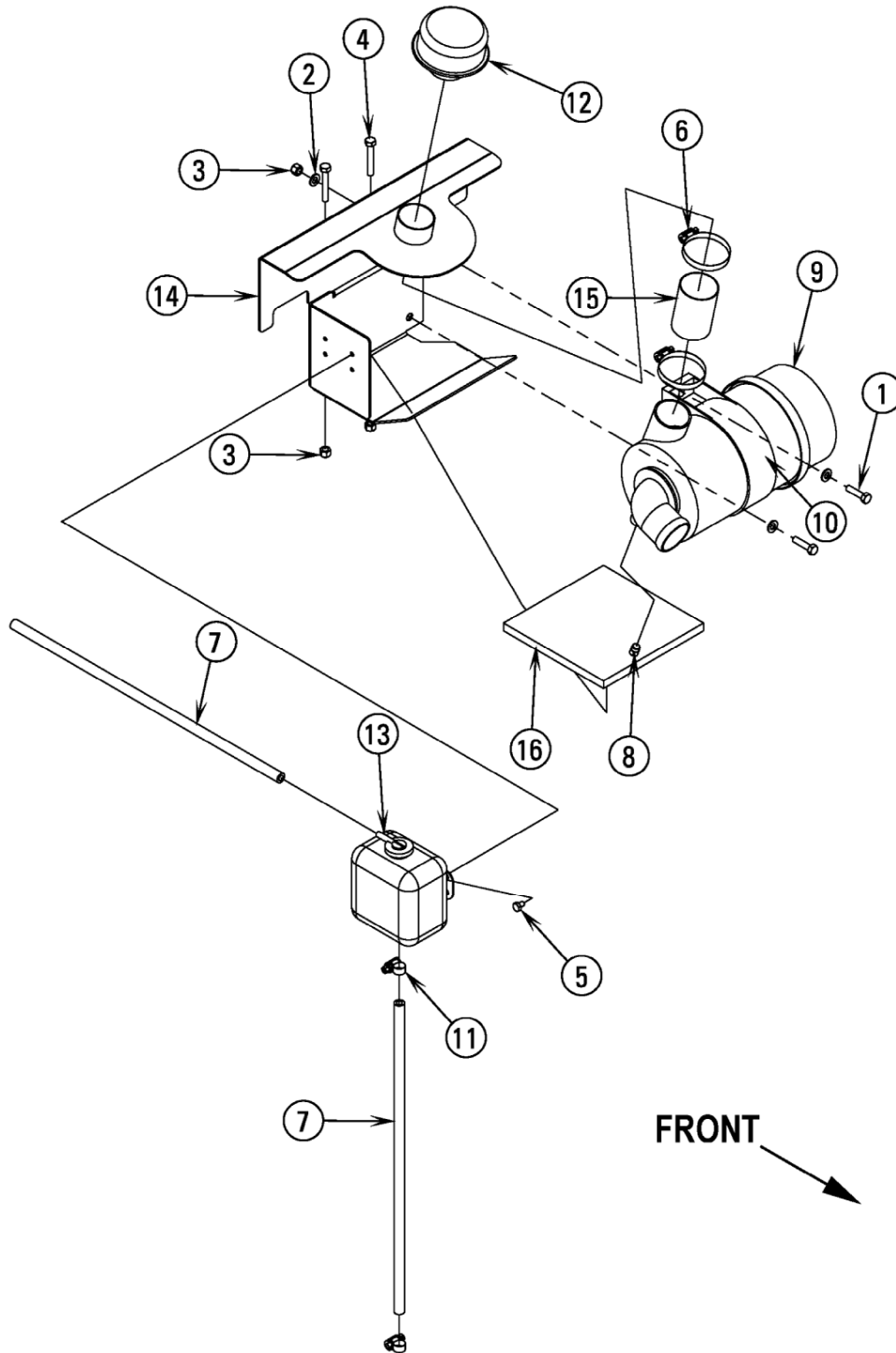
- [1] - EXPIRED USE 56504463
- [2] - EXPIRED NO REPLACEMENT
- [3] - NO LONGER AVAILABLE
- [4] - LP-56306201 PTRL-56111874
- [5] - EXPIRED USE 56504506
- [6] - EXPIRED USE 56329145



| Pos. | Artikel-Nr. | Menge | Variante | Notes |
|------|-------------|-------|---------------------------|-------|
| | 56305089 | 1 | Gasanschlußkit m. Filter | |
| 01 | 56002615 | 1 | Sechskantmutter 7/8-14 | |
| 02 | 56369675 | 1 | Steckverbindung | |
| 03 | 56418381 | 1 | Druckschalter | [1] |
| 04 | 56418934 | 1 | Schottverschraubung | |
| 05 | 56456608 | 1 | Elbow 90 DEG | |
| 06 | 56456624 | 1 | Vent, 1/4 NPT f. CR 1300 | |
| 07 | 56900921 | 1 | T-Stück | |
| 08 | 56305503 | 1 | Verbindungsschlauch | |
| 09 | 56305504 | 1 | Verbindungsschlauch | |
| 10 | 56305505 | 1 | ADAPTER SAE 45 DEGREE | |
| 11 | 56305506 | 1 | Schutzrohr | |
| 12 | 56419241 | 1 | Abdeckung f.Druckschalter | |
| 13 | 56002228 | 1 | Unterlagsscheibe | |
| 14 | 56456598 | 1 | Elbow 45 DEG | |

Part Notes:

[1] - S3



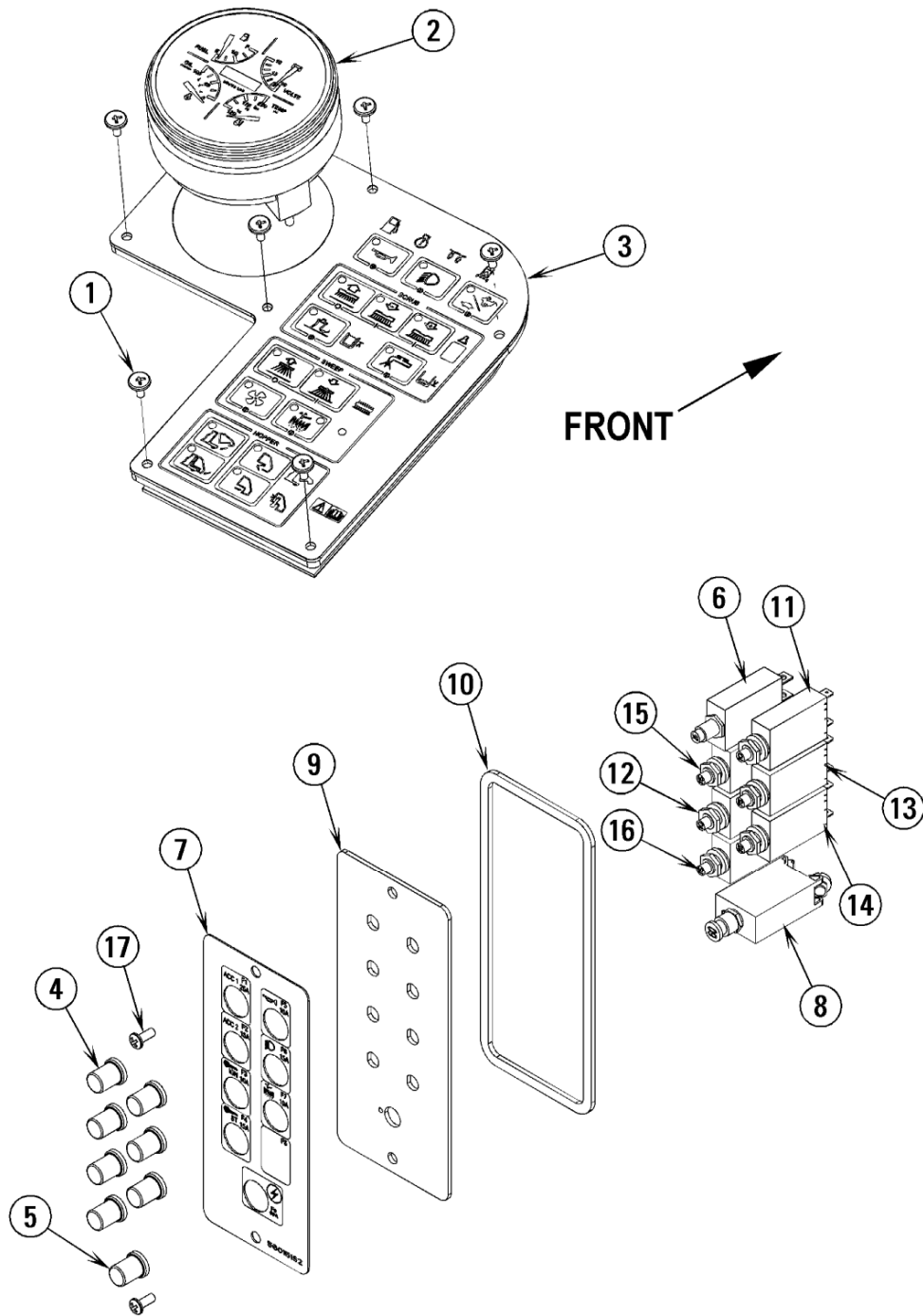
Resource notes:

NOTE 1: Only used on the HT models 56307236 & 56307238.

| Pos. | Artikel-Nr. | Menge | Variante | Notes |
|------|-------------|-------|-------------------------------------|-------|
| | 56304904 | 1 | Luftfilter kpl. f. CR1200 | [1] |
| 00 | 56307140 | 1 | AIR FILTER ASSEMBLY | [2] |
| 01 | 56001834 | 2 | Schraube 5/16-18 x 1,25 | |
| 02 | 56001939 | 4 | Flachdichtung 5/16 | |
| 03 | 56002701 | 4 | MUTTER 5-16-18 HEX JAM | |
| 04 | 56002721 | 2 | Schraube 5/1618x2.0 | |
| 05 | 56009019 | 4 | Schraube 1/4-20x.38 | |
| 06 | 56440213 | 2 | Schlauchbride | |
| 07 | 56305443 | 2 | Schlauch | |
| 08 | 2-00-03778 | 1 | HEX HD 1/8 NPT PLUG | |
| 09 | 56482478 | 1 | Luftfilter | |
| 09 | 56482029 | 1 | Luftfilter, P821575 Donaldson | [3] |
| 09 | 56482028 | 1 | Primärluftfilter, P822858 Donaldson | [4] |
| 10 | 56482621 | 1 | BAND ASSY | |
| 11 | 56756364 | 2 | Schlauchklemme | |
| 12 | 56419312 | 1 | HOOD INLET | [5] |
| 13 | 7-07-02002 | 1 | Ausgleichsbehälter | |
| 14 | 56305339 | 1 | WELDMENT MOUNT | |
| 15 | 56305340 | 1 | HOSE | [6] |
| 16 | 56305341 | 1 | FOAM | |

Part Notes:

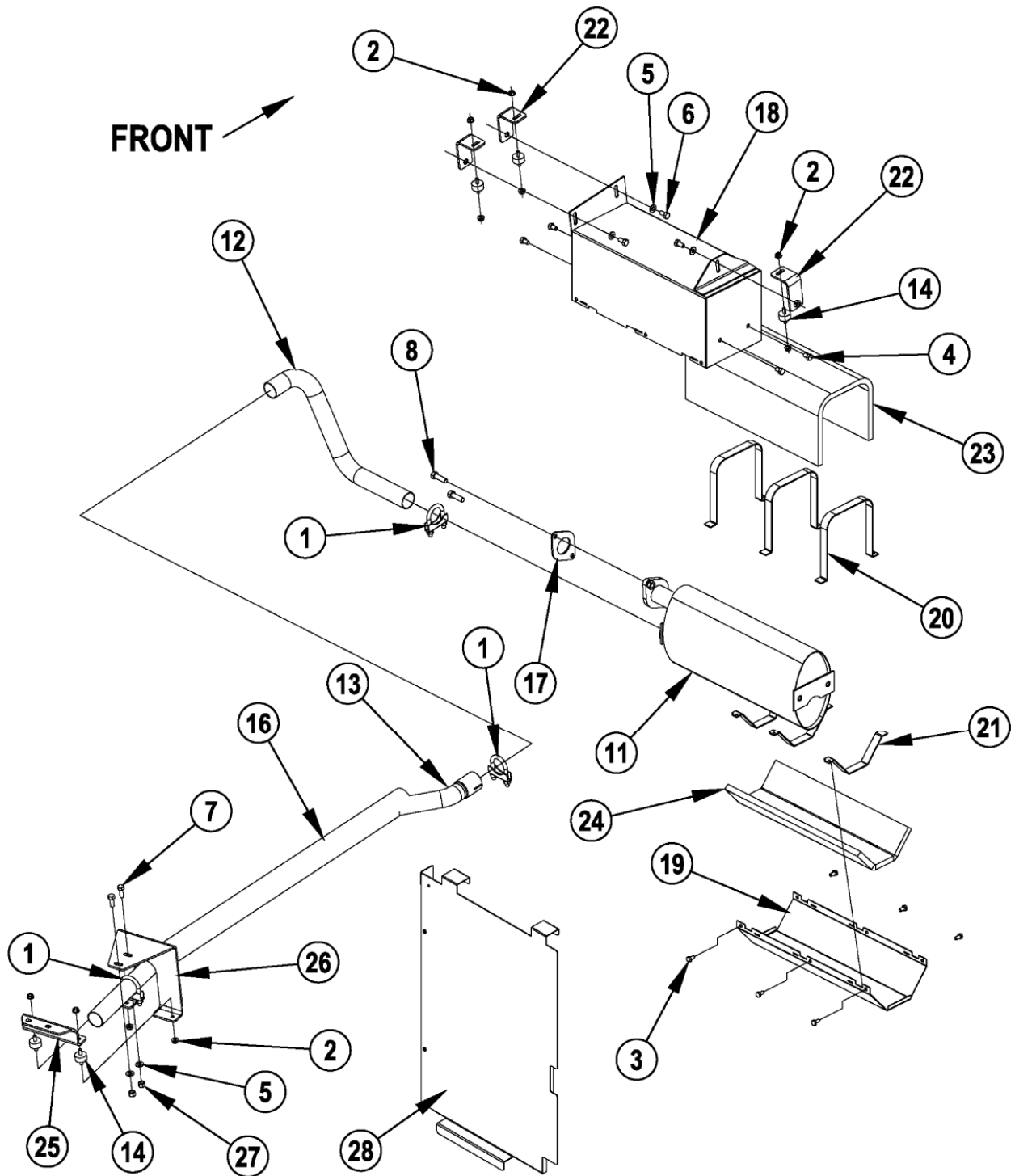
- [1] - EXPIRED NO REPLACEMENT
- [2] - NOTE 1
SEE PI 2017-002
- [3] - Outside / 4.19 x 10.56 - Not shown
- [4] - Inside / 2.31 x 10.25 - Not shown
- [5] - NOTE 1
- [6] - SEE PI 2017-002



| Pos. | Artikel-Nr. | Menge | Variante | Notes |
|------|-------------|-------|--------------------------------|-------|
| | 56305230 | 1 | PROPANE GAUGE PANEL ASSEMBLY | [1] |
| | 56304843 | 1 | CIRCUIT BREAKER PANEL ASSEMBLY | [2] |
| | 56305485 | 1 | Bedienfeld kpl. f. | [1] |
| 01 | 56009206 | 6 | Schraube TRUSS PHIL BLK | |
| 02 | 56304569 | 1 | Spur | [3] |
| 02 | 56304589 | 1 | Anzeige, 3-stellig f. LPG | [4] |
| 03 | 56305229 | 1 | Bedienungspanel CR 1400 | [5] |
| 04 | 56459367 | 7 | Abdeckung Rückstellknopf5015 | |
| 05 | 56459368 | 1 | Abdeckung Rückstellknopf5015 | |
| 06 | 56469788 | 1 | Unterbrecher | [6] |
| 07 | 56015182 | 1 | DECAL CIRCUIT BREAKER | |
| 08 | 56263260 | 1 | Schütz 60A | [7] |
| 09 | 56304842 | 1 | PLATE CIRCUIT BREAKER MOUNT | |
| 10 | 56305232 | 1 | GASKET | |
| 11 | 56387316 | 1 | Schütz 10A | [8] |
| 12 | 56387316 | 1 | Schütz 10A | [9] |
| 13 | 56454538 | 1 | Sicherungsautomat 15A | [10] |
| 14 | 56454538 | 1 | Sicherungsautomat 15A | [11] |
| 15 | 56454538 | 1 | Sicherungsautomat 15A | [12] |
| 16 | 56454538 | 1 | Sicherungsautomat 15A | [13] |
| 17 | 56001993 | 2 | SCR PAN HD PHIL 10-24X.50 | |

Part Notes:

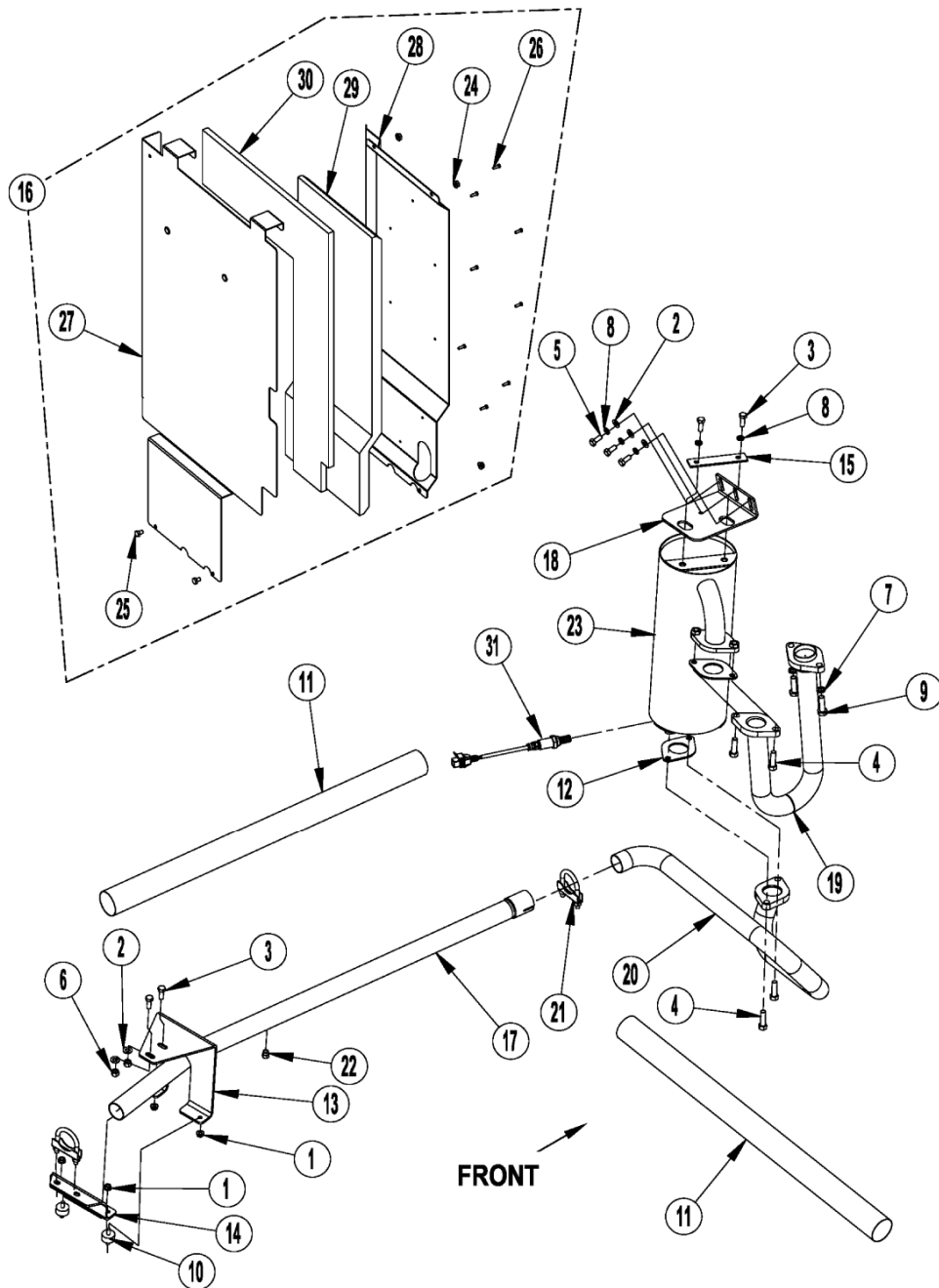
- [1] - 1-3
- [2] - All models / 4-17
- [3] - Gasoline/Petrol and Diesel
- [4] - LPG
- [5] - Includes Membrane Switch
- [6] - ACC1 / F1
- [7] - Main / F9
- [8] - Horn / F3
- [9] - IGN / F3
- [10] - Headlight / F6
- [11] - Shaker / F7
- [12] - ACC2 / F2
- [13] - ST / F4



| Pos. | Artikel-Nr. | Menge | Variante | Notes |
|------|-------------|-------|-----------------------------------|-------|
| | 56305689 | 1 | Dieselabgasanlage | |
| 01 | 56456833 | 3 | "Auspuffbriede 1 5/8" Adv. 5000P" | |
| 02 | 56002708 | 10 | Stopmutter 1/4-20 | |
| 03 | 56001854 | 6 | SCHRAUBE HEX HD1/4-20X.50 | |
| 04 | 56001862 | 4 | SCR HEX HD 5/16-18 X .50 | |
| 05 | 56001939 | 5 | Flachdichtung 5/16 | |
| 06 | 56002035 | 3 | 002721X HD 5/16-18X.62 | |
| 07 | 56002037 | 2 | SCR HEX 5/16-18 X .88 | |
| 08 | 56002254 | 2 | Schraube | |
| 11 | 56305595 | 1 | Auspuff | |
| 12 | 56305004 | 1 | Auspuffrohr gebogen | |
| 13 | 56305016 | 1 | Auspuff | |
| 14 | 56305216 | 5 | Dämpfer | |
| 16 | 56305343 | 1 | Thermohülle | |
| 17 | 56305549 | 1 | Dichtung Auspuffanlage | |
| 18 | 56305567 | 1 | HEAT SHIELD WELDMENT | |
| 19 | 56305571 | 1 | Hitzeschild, unten | |
| 20 | 56305575 | 3 | RETAINER INSULATION | |
| 21 | 56305576 | 3 | Befestigung für | |
| 22 | 56305580 | 3 | BRACKET MUFFLER HANGER | |
| 23 | 56305583 | 1 | INSULATION THERMAL | |
| 24 | 56305584 | 1 | Hitzeschild, oben | |
| 25 | 56305878 | 1 | BRACKET TAILPIPE | |
| 26 | 56305877 | 1 | BRACKET TAILPIPE | |
| 27 | 56002701 | 2 | MUTTER 5-16-18 HEX JAM | |
| 28 | 56305034 | 1 | Hitzeschutz | [1] |
| 28 | 56009030 | 2 | Schraube 10-2 | [1] |
| 28 | 56305045 | 1 | PANEL REAR | [1] |
| 28 | 56305047 | 1 | PANEL ASSEMBLY | |
| 28 | 56305942 | 1 | PANEL REAR | [1] |

Part Notes:

[1] - Not shown



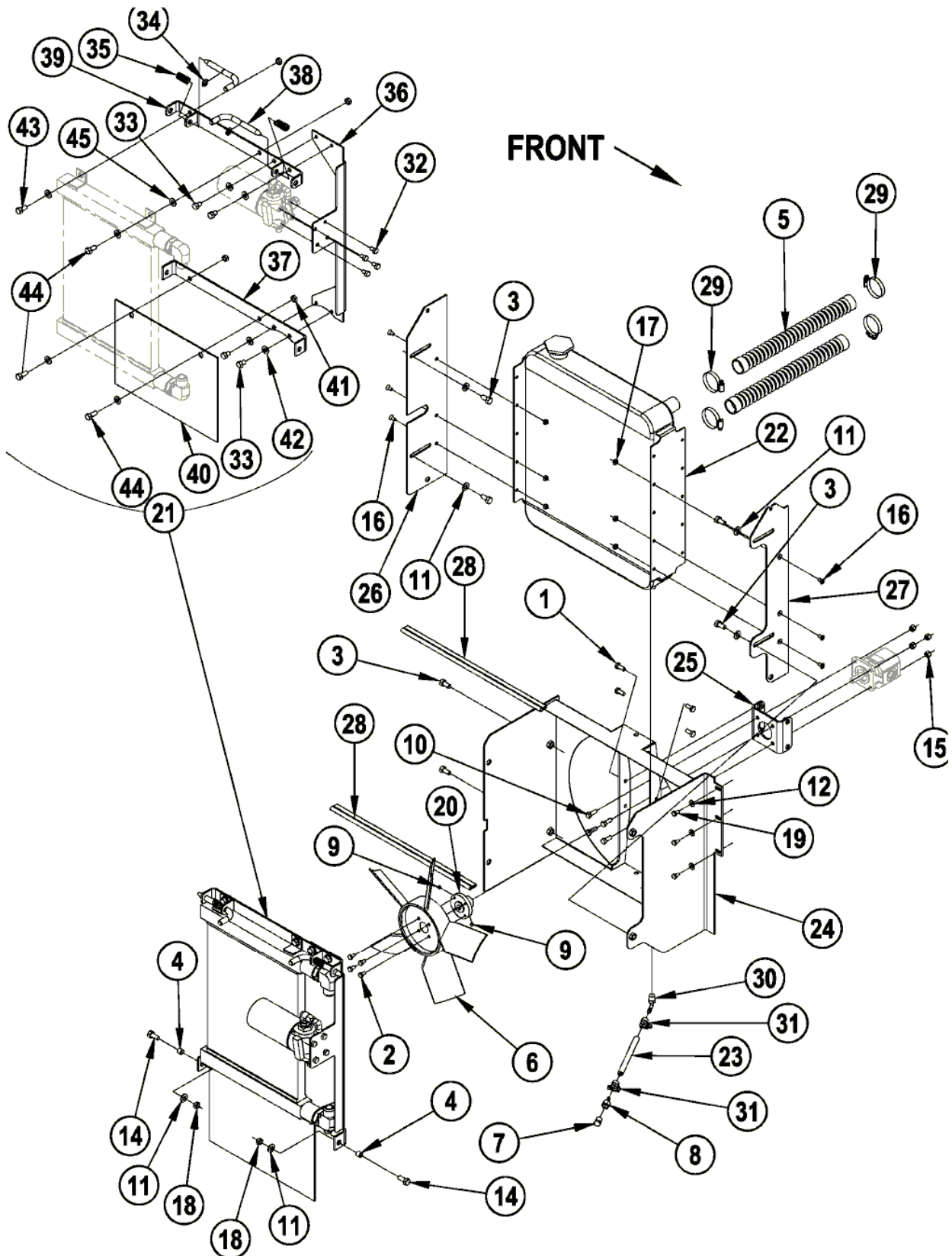
Resource notes:

NOTE 1: These items are only used on the HT models 56307236 & 56307238.

| Pos. | Artikel-Nr. | Menge | Variante | Notes |
|------|-------------|-------|-----------------------------------|-------|
| 00 | 56306030 | 1 | ASSEMBLY EXHAUST | [1] |
| 00 | 56307240 | 1 | EXHAUST ASSEMBLY | [2] |
| 01 | 56002708 | 4 | Stopmutter 1/4-20 | |
| 02 | 56001939 | 5 | Flachdichtung 5/16 | |
| 03 | 56002037 | 4 | SCR HEX 5/16-18 X .88 | |
| 04 | 56003787 | 4 | Schraube 3/8 24x1.50 | |
| 05 | 56002667 | 3 | Schraube 5/16-18 X.75 | |
| 06 | 56002701 | 2 | MUTTER 5-16-18 HEX JAM | |
| 07 | 56003684 | 6 | U-Scheibe M10 | |
| 08 | 56003685 | 5 | U.- Scheibe | |
| 09 | 56003694 | 2 | Schraube M10-1,5x35mm | |
| 10 | 56305216 | 2 | Dämpfer | |
| 11 | 56305343 | 2 | Thermohülle | |
| 12 | 56305549 | 2 | Dichtung Auspuffanlage | |
| 13 | 56305877 | 1 | BRACKET TAILPIPE | |
| 14 | 56305878 | 1 | BRACKET TAILPIPE | |
| 15 | 56305898 | 1 | MUFFLER CLAMP PLATE | |
| 16 | 56307083 | 1 | TANK PANEL ASSEMBLY | [3] |
| 16 | 56305901 | 1 | TANK PANEL ASSEMBLY | [4] |
| 17 | 56305911 | 1 | Auspuffrohr | |
| 18 | 56306028 | 1 | BRACKET CAT/COM | |
| 19 | 56109675 | 1 | Zulaufrohr | |
| 20 | 56109676 | 1 | Auspuffrohr | |
| 21 | 56456833 | 2 | "Auspuffbriede 1 5/8" Adv. 5000P" | |
| 22 | 56481546 | 1 | Nippel 1/8 NPT | |
| 23 | 56111876 | 1 | CONVERTER-CATALYTIC PSI | [5] |
| 23 | 56110454 | 1 | Katalysator | [6] |
| 24 | 56002708 | 4 | Stopmutter 1/4-20 | |
| 25 | 56001861 | 2 | SCR HEX HD 1/4-20 X.38 | |
| 26 | 56002438 | 8 | Schraube 8-32 | |
| 27 | 56305902 | 1 | PANEL REAR | |
| 28 | 56305903 | 1 | PANEL | |
| 28 | 56307085 | 1 | PANEL INSULATION | [7] |
| 29 | 56305904 | 1 | INSULATION THERMAL | |
| 30 | 56305943 | 1 | PANEL INSULATION | |
| 31 | 7-11-04081 | 1 | O2 Sensor (Post-Catcon) | [5] |

Part Notes:

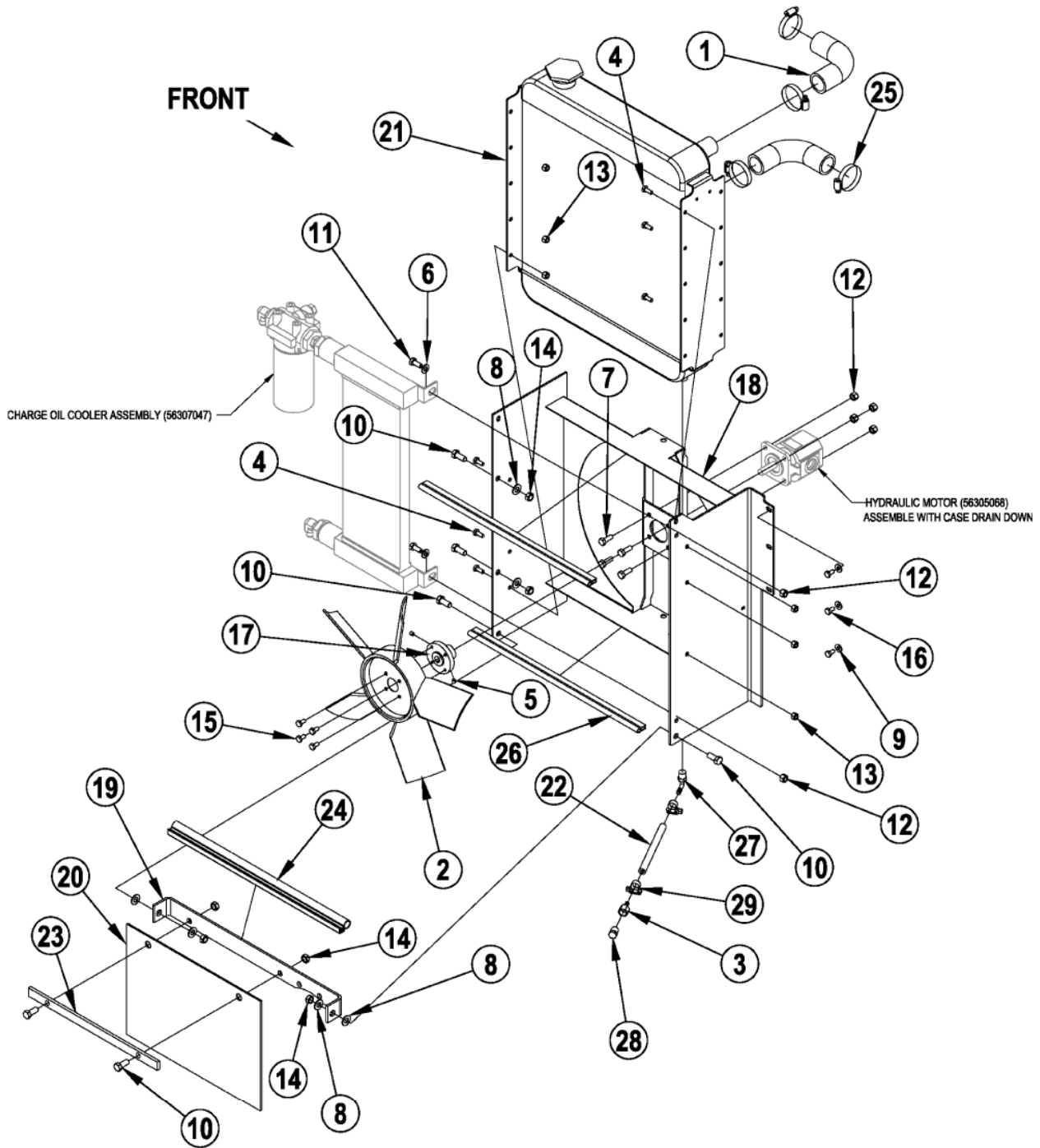
- [1] - 1-23
 [2] - 1-23 - NOTE 1
 SEE PI 2017-002
 [3] - 24-30 - NOTE 1
 SEE PI 2017-002
 [4] - 24-30
 [5] - (after SN1000042993)
 [6] - (before SN1000042994)
 [7] - NOTE 1
 SEE PI 2017-002



| Pos. | Artikel-Nr. | Menge | Variante | Notes |
|------|-------------|-------|-------------------------------|-------|
| | 56305933 | 1 | RADIATOR ASSEMBLY | [1] |
| 01 | 56002956 | 4 | Schraube HEX LOC 5/16-18 | |
| 02 | 56003039 | 4 | Schraube 1/4-20 | |
| 03 | 56003079 | 6 | SCR HEX HD LOC 3/8-16X1 | |
| 04 | 56388326 | 2 | BUSHING .38x.48x.41 | |
| 05 | 56456304 | 2 | Kühlerschlauch 15" | |
| 06 | 56463704 | 1 | Sauglüfter | |
| 07 | 56740136 | 1 | PLUG BRASS E00040 | |
| 08 | 56756360 | 1 | HOSE BARB 1/4 BARB X 1/4-18 F | |
| 09 | 56001841 | 2 | Madenschraube | |
| 10 | 56002037 | 4 | SCR HEX 5/16-18 X .88 | |
| 11 | 56002063 | 6 | "U-Scheibe 3/8"" | |
| 12 | 56002098 | 3 | Scheibe | |
| 14 | 56002271 | 2 | Schraube HEX HD 3/8-16x.8 | |
| 15 | 56002701 | 4 | MUTTER 5-16-18 HEX JAM | |
| 16 | 56002711 | 6 | SCHRQAUBE 1/4-20X3/4KONISCH | |
| 17 | 56002840 | 6 | Nut 1/4 20 | |
| 18 | 56002769 | 2 | Stopmutter 3/8-16 | |
| 19 | 56009033 | 3 | Schraube 1/4-20X1 2HP 5 | |
| 20 | 56304087 | 1 | Lüfternabe | |
| 21 | 56304892 | 1 | HYDRAULIC OIL COOLER ASSEMBLY | [2] |
| 22 | 56456431 | 1 | Cap, Radiator | [3] |
| 22 | 56305316 | 1 | Kühler | |
| 22 | 56305638 | 1 | SMALL RADIATOR CAP 13 PSI | [3] |
| 23 | 56305428 | 1 | HOSE | |
| 24 | 56305889 | 1 | RADIATOR MOUNT WELDMENT | |
| 25 | 56305892 | 1 | BRACKET FAN MOUNT | |
| 26 | 56305921 | 1 | BRACKET RADIATOR MOUNT | |
| 27 | 56305922 | 1 | BRACKET RADIATOR MOUNT | |
| 28 | 56305935 | 2 | TRIM SEAL | |
| 29 | 56329145 | 4 | BRIEDE | |
| 30 | 56470138 | 1 | "Winkelanschluss 1/4"" | |
| 31 | 56756364 | 2 | Schlauchklemme | |
| 32 | 56002923 | 4 | SCR HEX LOC 5/16-18 X .50 | |
| 33 | 56003023 | 4 | SCR HEX LOC 3/8-16 X .50 | |
| 34 | 56003264 | 2 | "Benzingring 0,5"" | |
| 35 | 56304531 | 2 | SPRING COMPRESSION | |
| 36 | 56304888 | 1 | BRACKET FILTER | |
| 37 | 56304890 | 1 | BRACKET | |
| 38 | 56304973 | 2 | LOCK PIN | |
| 39 | 56304976 | 1 | WELDMENT BRACKET | |
| 40 | 56305211 | 1 | FLAP | |
| 41 | 56002769 | 4 | Stopmutter 3/8-16 | |
| 42 | 56002063 | 8 | "U-Scheibe 3/8"" | |
| 43 | 56002271 | 2 | Schraube HEX HD 3/8-16x.8 | |
| 44 | 56002271 | 1 | Schraube HEX HD 3/8-16x.8 | |
| 45 | 56009106 | 1 | U-Scheibe FLT.453x1.000 | |

Part Notes:

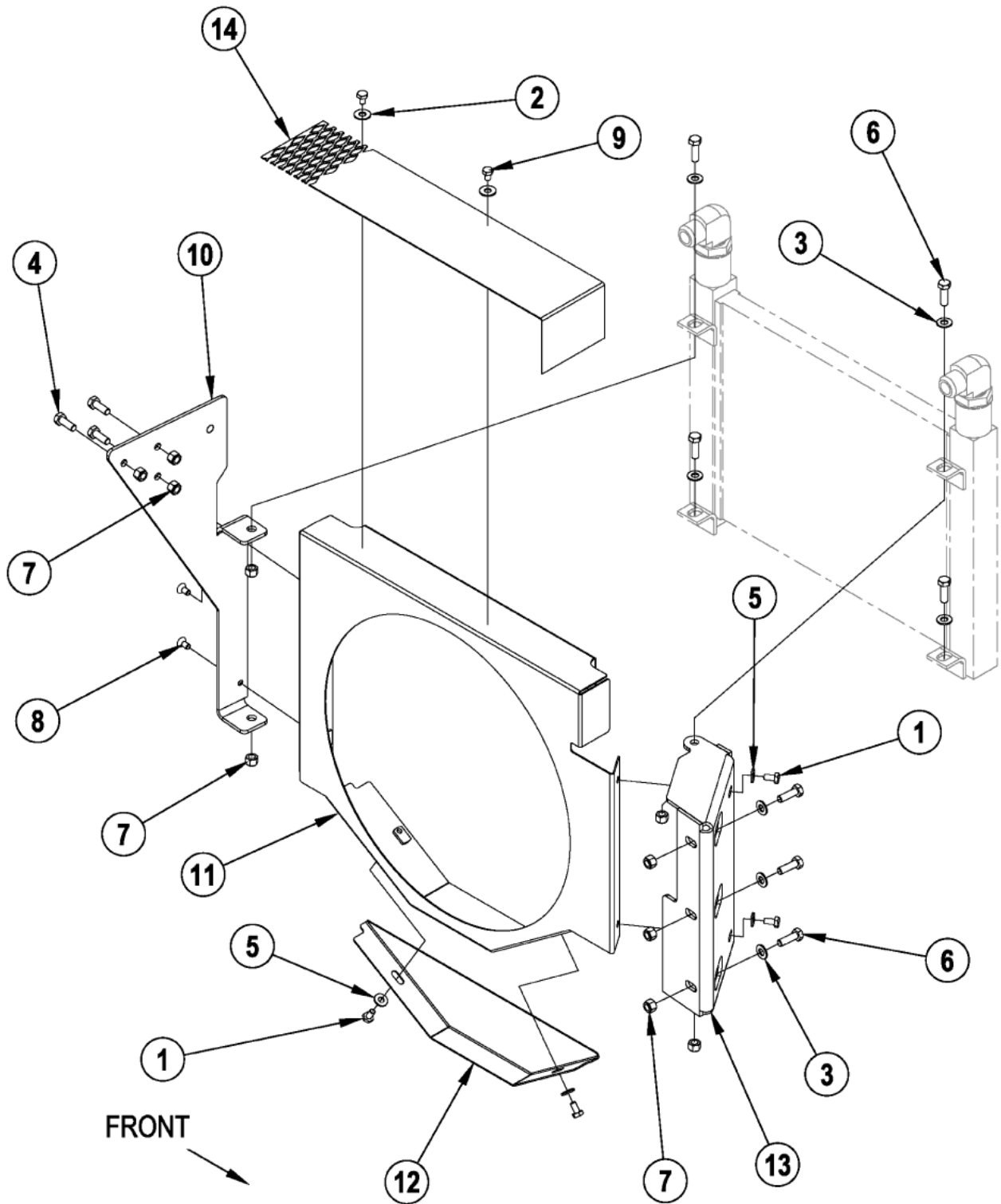
- [1] - 1-31
 [2] - 32-44
 [3] - Not shown



| Pos. | Artikel-Nr. | Menge | Variante | Notes |
|------|-------------|-------|-------------------------------|-------|
| 00 | 56307046 | 1 | RADIATOR ASSEMBLY | [1] |
| 01 | 56418227 | 2 | Schlauch radiator unten, | |
| 01 | 56002956 | 4 | Schraube HEX LOC 5/16-18 | |
| 02 | 56463704 | 1 | Sauglüfter | |
| 03 | 56756360 | 1 | HOSE BARB 1/4 BARB X 1/4-18 F | |
| 04 | 56001836 | 6 | Schraube 1/4-20x0.62 | |
| 05 | 56001841 | 2 | Madenschraube | |
| 06 | 56001939 | 2 | Flachdichtung 5/16 | |
| 07 | 56002037 | 4 | SCR HEX 5/16-18 X .88 | |
| 08 | 56002063 | 6 | "U-Scheibe 3/8"" | |
| 09 | 56002098 | 3 | Scheibe | |
| 10 | 56002271 | 6 | Schraube HEX HD 3/8-16x.8 | |
| 11 | 56002667 | 2 | Schraube 5/16-18 X.75 | |
| 12 | 56002701 | 6 | MUTTER 5-16-18 HEX JAM | |
| 13 | 56002708 | 6 | Stopmutter 1/4-20 | |
| 14 | 56002841 | 6 | NUT HEX NYL LOC-THIN 3/8 | |
| 15 | 56003039 | 4 | Schraube 1/4-20 | |
| 16 | 56009033 | 3 | Schraube 1/4-20X1 2HP 5 | |
| 17 | 56304087 | 1 | Lüfternabe | |
| 18 | 56304438 | 1 | WELDMENT RADIATOR MOUNT | |
| 19 | 56304890 | 1 | BRACKET | |
| 20 | 56305211 | 1 | FLAP | |
| 21 | 56305316 | 1 | Kühler | |
| 22 | 56305428 | 1 | HOSE | |
| 23 | 56307097 | 1 | STRAP | |
| 24 | 56307098 | 1 | GASKET | |
| 25 | 56329145 | 4 | BRIEDE | |
| 26 | 56418955 | 2 | Abdichtung | |
| 27 | 56470138 | 1 | "Winkelanschluss 1/4"" | |
| 28 | 56740136 | 1 | PLUG BRASS E00040 | |
| 29 | 56756364 | 2 | Schlauchklemme | |

Part Notes:

[1] - POS. 1-29 / HT MODELS ONLY



| Pos. | Artikel-Nr. | Menge | Variante | Notes |
|------|-------------|-------|---------------------------|-------|
| | 56307225 | 1 | COOLER KIT | [1] |
| | 56307247 | 1 | DIESEL COOLER KIT | [2] |
| 01 | 56001854 | 4 | SCHRAUBE HEX HD1/4-20X.50 | |
| 02 | 56001906 | 2 | WSH FLT CUT 1/4 | |
| 03 | 56001939 | 3 | Flachdichtung 5/16 | |
| 04 | 56002037 | 3 | SCR HEX 5/16-18 X .88 | |
| 05 | 56002098 | 4 | Scheibe | |
| 06 | 56002221 | 7 | SCR HEX HD 5/16-18 X 1.00 | |
| 07 | 56002701 | 10 | MUTTER 5-16-18 HEX JAM | |
| 08 | 56002755 | 2 | SCR FLT PHIL 1/4-20 X .50 | |
| 09 | 56009019 | 2 | Schraube 1/4-20x.38 | [3] |
| 10 | 56307078 | 1 | BRACKET WELDMENT | |
| 11 | 56307226 | 1 | SHROUD FAN | [4] |
| 11 | 56307246 | 1 | SHROUD DIESEL FAN | [5] |
| 12 | 56307227 | 1 | SHROUD BOTTOM FAN | [4] |
| 12 | 56307244 | 1 | SHROUD DIESEL BOTTOM FAN | [5] |
| 13 | 56307228 | 1 | BRACKET | |
| 14 | 56307229 | 1 | GUARD FAN | |
| 15 | 56002220 | 4 | WSH FLT CUT 5/16 | |

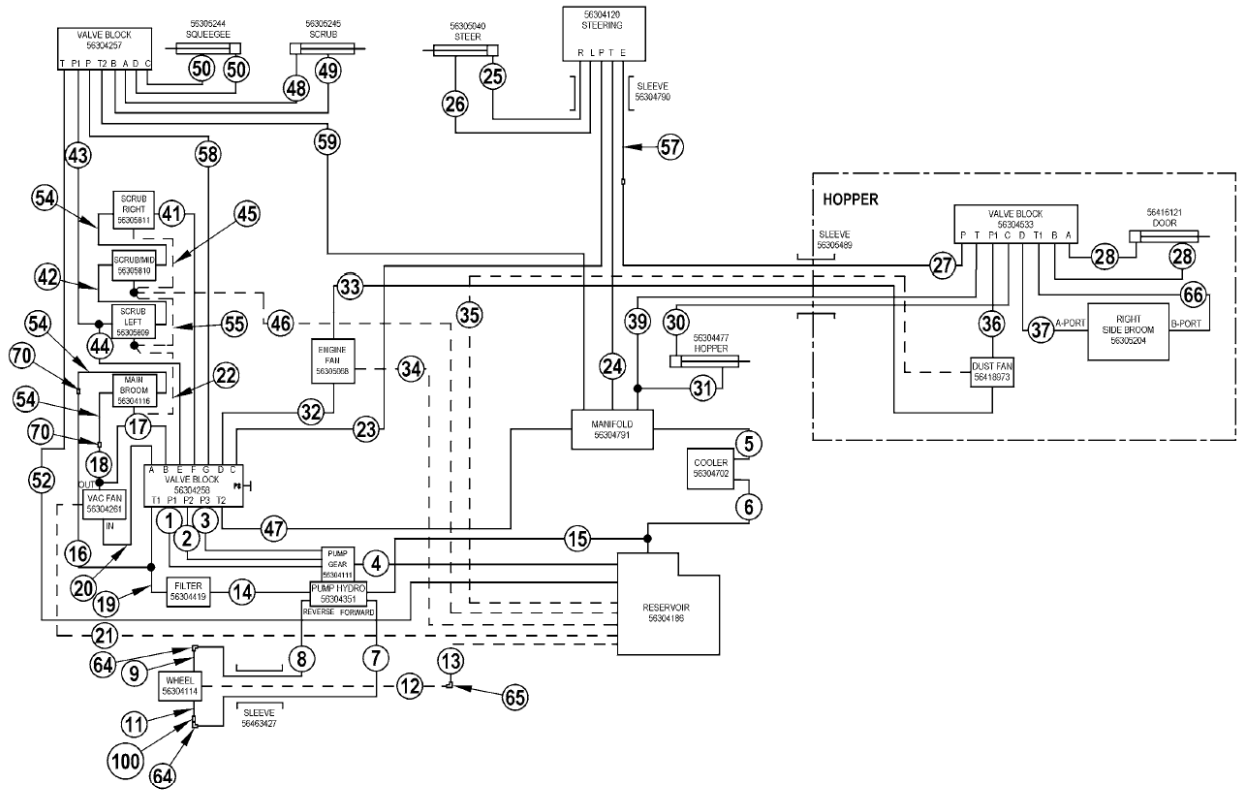
Part Notes:

- [1] - (ITEMS 1-15 / HT PETROL MODELS ONLY)
SEE PI 2017-002
- [2] - (ITEMS 1-15 / HT DIESEL MODELS ONLY)
- [3] - (QTY 3 ON DIESEL MODELS)
- [4] - (PETROL MODELS ONLY)
SEE PI 2017-002
- [5] - (DIESEL MODELS ONLY)

| Pos. | Artikel-Nr. | Menge | Variante | Notes |
|------|-------------|-------|----------------------------|-------|
| 01 | 56381874 | 1 | THROTTLE BODY ADAPTER KIT | |
| 01 | 56381876 | 1 | LP AIR INTAKE KIT | |
| 01 | 56381880 | 1 | EPR WATER IN HOSE KIT | |
| 01 | 56381885 | 1 | OIL PRESSURE RLF VALVE KIT | |
| 01 | 56381858 | 1 | PUMP HOUSING KIT | |
| 01 | 56381882 | 1 | EPR VACUUM HOSE KIT | |
| 01 | 56381878 | 1 | EPR HARDWARE KIT | |
| 01 | 56381883 | 1 | PVC HOSE KIT | |
| 01 | 56381833 | 1 | BRACKET-UPPER ALTERNATOR | |
| 01 | 56381864 | 1 | OIL PRESSURE SENDER KIT | |
| 01 | 56381856 | 1 | ALTERNATOR HARDWARE KIT | |
| 01 | 56381868 | 1 | FITTING-THROTTLE BODY | |
| 01 | 56381879 | 1 | EPR WATER OUT HOSE KIT | |
| 01 | 56381872 | 1 | GASKET-THROTTLE BODY | |
| 01 | 56381870 | 1 | SPACER-THROTTLE BODY | |
| 01 | 56381877 | 1 | MIXER HARDWARE KIT | [1] |
| 01 | 56381760 | 1 | COUPLING KIT | |
| 01 | 56381881 | 1 | EPR VAPOR HOSE KIT | |
| 01 | 56381884 | 1 | CR/SHF POSITION SENSOR KIT | |
| 01 | 56381875 | 1 | MIXER ADAPTER KIT | |
| 01 | 56381863 | 1 | TMAP SENSOR KIT | |
| 01 | 56381866 | 1 | HOSE-12 IN | |
| 01 | 56381886 | 1 | DIPSTICK KIT | |

Part Notes:

[1] - SEE PI 2017-002

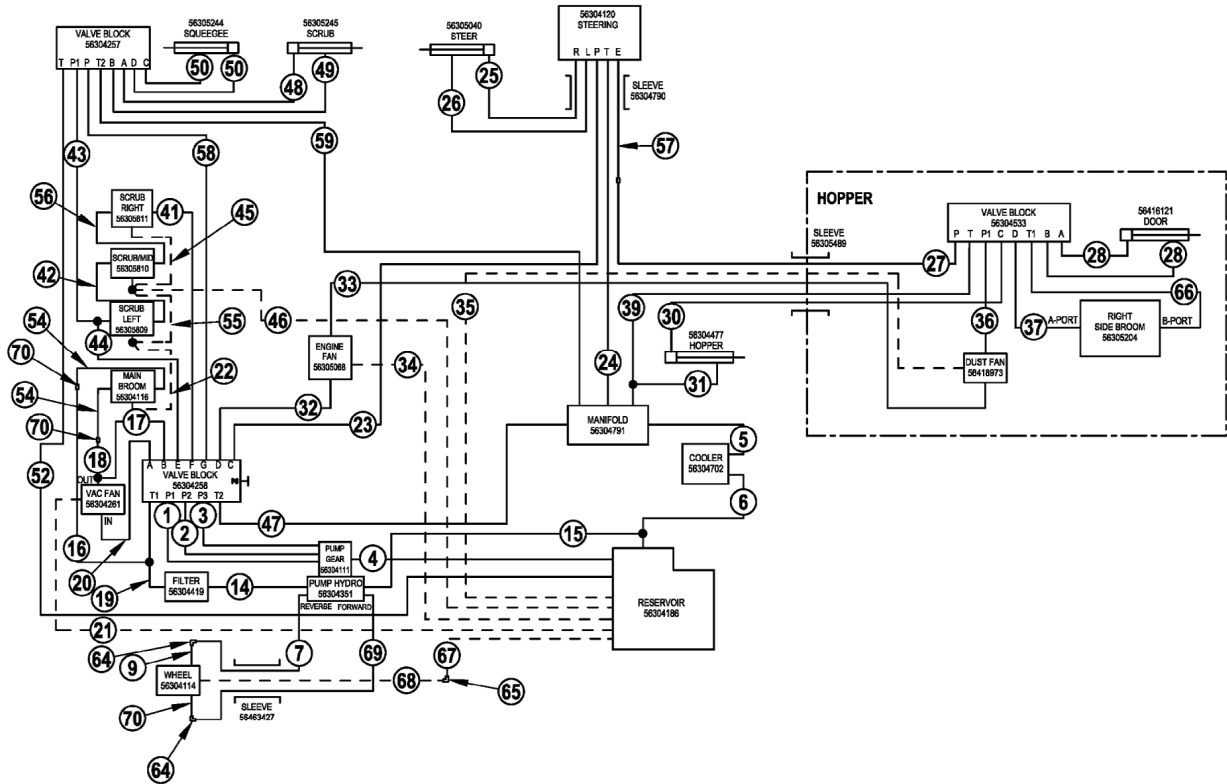


| Pos. | Artikel-Nr. | Menge | Variante | Notes |
|------|-------------|-------|--------------------------------|-------|
| 01 | 56305130 | 1 | HOSE ASSY | |
| 02 | 56305131 | 1 | HOSE ASSY | |
| 03 | 56305132 | 1 | HOSE ASSY | |
| 04 | 56305133 | 1 | HOSE ASSY | |
| 05 | 56305134 | 1 | HOSE ASSY | |
| 06 | 56305135 | 1 | HOSE ASSY | |
| 07 | 56305498 | 1 | HOSE ASSY | |
| 08 | 56305136 | 1 | HOSE ASSY | |
| 09 | 56305137 | 1 | Hydraulickschlauch DN121600 mm | |
| 100 | 56900304 | 1 | ELBOW 90D W/NUT -8 E00007 | |
| 11 | 56305139 | 1 | Schlauchleitung | |
| 12 | 56305140 | 1 | Schlauch | |
| 13 | 56305141 | 1 | HOSE ASSY | |
| 14 | 56305142 | 1 | HOSE ASSY | |
| 15 | 56305143 | 1 | HOSE ASSY | |
| 16 | 56305144 | 1 | HOSE ASSY | |
| 17 | 56305145 | 1 | HOSE ASSY | |
| 18 | 56305146 | 1 | HOSE ASSY | |
| 19 | 56305147 | 1 | HOSE ASSY | |
| 20 | 56305148 | 1 | HOSE ASSY | |
| 21 | 56305149 | 1 | Hydraulik-Schlauch | |
| 22 | 56305150 | 1 | HOSE ASSY | |
| 23 | 56305151 | 1 | HOSE ASSY | |
| 24 | 56305152 | 1 | HOSE ASSY | |
| 25 | 56305153 | 1 | HOSE ASSY | |
| 26 | 56305154 | 1 | HOSE ASSY | |
| 27 | 56305155 | 1 | HOSE ASSY | |
| 28 | 56305156 | 2 | HOSE ASSY | |
| 30 | 56305158 | 1 | HOSE ASSY | |
| 31 | 56305159 | 1 | HOSE ASSY | |
| 32 | 56305160 | 1 | HOSE ASSY | |
| 33 | 56305161 | 1 | HOSE ASSY | |
| 34 | 56305162 | 1 | HOSE ASSY | |
| 35 | 56305163 | 1 | Hydraulik-Schlauch | |
| 36 | 56305164 | 1 | HOSE ASSY | |
| 37 | 56305165 | 1 | HOSE ASSY | |
| 39 | 56305167 | 1 | HOSE ASSY | |
| 41 | 56305169 | 1 | HOSE ASSY | |
| 42 | 56305813 | 1 | HOSE ASSEMBLY | |
| 43 | 56305171 | 1 | HOSE ASSY | |
| 44 | 56305172 | 1 | HOSE ASSY | |
| 45 | 56305173 | 1 | HOSE ASSY | |
| 46 | 56305174 | 1 | Hydraulik-Schlauch | |
| 47 | 56305175 | 1 | HOSE ASSY | |
| 48 | 56305176 | 1 | HOSE ASSY | |
| 49 | 56305177 | 1 | HOSE ASSY | |
| 50 | 56305178 | 2 | HOSE ASSY | |
| 52 | 56305180 | 1 | HOSE ASSY | |
| 54 | 56305814 | 1 | HOSE ASSEMBLY | |
| 55 | 56305182 | 1 | HOSE ASSY | |
| 56 | 56305157 | 2 | HOSE ASSY | |
| 57 | 56305138 | 1 | HOSE ASSY | |
| 58 | 56305532 | 1 | HOSE ASSY | |
| 59 | 56305533 | 1 | HOSE ASSY | |
| 64 | 56900404 | 2 | ELBOW UNION 8 E00012 | |
| 65 | 56900401 | 1 | ELBOW UNION - 4 E00012 | |
| 66 | 56305852 | 1 | HOSE ASSEMBLY | |
| 67 | 56305024 | 8 | Klammer P | [1] |
| 68 | 56409463 | 1 | Clamp, 1.25 Hose support | [1] |

| Pos. | Artikel-Nr. | Menge | Variante | Notes |
|------|-------------|-------|-------------------------|-------|
| 69 | 56496276 | 1 | Klammer | [1] |
| 70 | 56419064 | 2 | LOCKNUT BULKHEAD E00598 | |

Part Notes:

[1] - not shown



Hydraulic schematic - CR 1100 after SN 1873835 - Hydraulic System

CR 1200 D/P/LPG

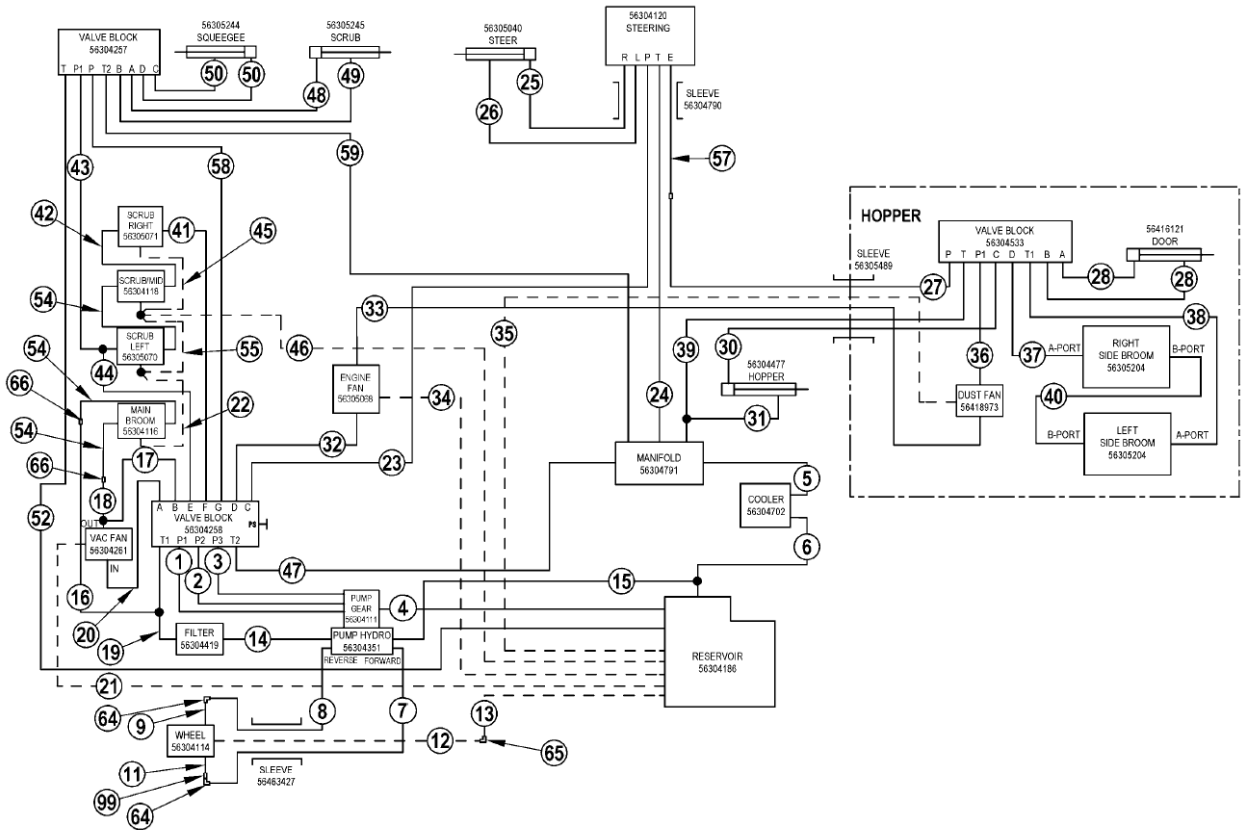
2013.04.02

| Pos. | Artikel-Nr. | Menge | Variante | Notes |
|------|-------------|-------|--------------------------------|-------|
| 01 | 56305130 | 1 | HOSE ASSY | |
| 02 | 56305131 | 1 | HOSE ASSY | |
| 03 | 56305132 | 1 | HOSE ASSY | |
| 04 | 56305133 | 1 | HOSE ASSY | |
| 05 | 56305134 | 1 | HOSE ASSY | |
| 06 | 56305135 | 1 | HOSE ASSY | |
| 07 | 56305498 | 1 | HOSE ASSY | |
| 09 | 56305137 | 1 | Hydraulickschlauch DN121600 mm | |
| 100 | 56305024 | 8 | Klammer P | [1] |
| 101 | 56409463 | 1 | Clamp, 1.25 Hose support | [1] |
| 102 | 56496276 | 1 | Klammer | [1] |
| 103 | 56419064 | 2 | LOCKNUT BULKHEAD E00598 | |
| 14 | 56305142 | 1 | HOSE ASSY | |
| 15 | 56305143 | 1 | HOSE ASSY | |
| 16 | 56305144 | 1 | HOSE ASSY | |
| 17 | 56305145 | 1 | HOSE ASSY | |
| 18 | 56305146 | 1 | HOSE ASSY | |
| 19 | 56305147 | 1 | HOSE ASSY | |
| 20 | 56305148 | 1 | HOSE ASSY | |
| 21 | 56305149 | 1 | Hydraulik-Schlauch | |
| 22 | 56305150 | 1 | HOSE ASSY | |
| 23 | 56305151 | 1 | HOSE ASSY | |
| 24 | 56305152 | 1 | HOSE ASSY | |
| 25 | 56305153 | 1 | HOSE ASSY | |
| 26 | 56305154 | 1 | HOSE ASSY | |
| 27 | 56305155 | 1 | HOSE ASSY | |
| 28 | 56305156 | 2 | HOSE ASSY | |
| 30 | 56305158 | 1 | HOSE ASSY | |
| 31 | 56305159 | 1 | HOSE ASSY | |
| 32 | 56305160 | 1 | HOSE ASSY | |
| 33 | 56305161 | 1 | HOSE ASSY | |
| 34 | 56305162 | 1 | HOSE ASSY | |
| 35 | 56305163 | 1 | Hydraulik-Schlauch | |
| 36 | 56305164 | 1 | HOSE ASSY | |
| 37 | 56305165 | 1 | HOSE ASSY | |
| 39 | 56305167 | 1 | HOSE ASSY | |
| 41 | 56305169 | 1 | HOSE ASSY | |
| 42 | 56305813 | 1 | HOSE ASSEMBLY | |
| 43 | 56305171 | 1 | HOSE ASSY | |
| 44 | 56305172 | 1 | HOSE ASSY | |
| 45 | 56305173 | 1 | HOSE ASSY | |
| 46 | 56305174 | 1 | Hydraulik-Schlauch | |
| 47 | 56305175 | 1 | HOSE ASSY | |
| 48 | 56305176 | 1 | HOSE ASSY | |
| 49 | 56305177 | 1 | HOSE ASSY | |
| 50 | 56305178 | 2 | HOSE ASSY | |
| 52 | 56305180 | 1 | HOSE ASSY | |
| 54 | 56305181 | 3 | Hydraulikschlauch | |
| 55 | 56305182 | 1 | HOSE ASSY | |
| 56 | 56305814 | 1 | HOSE ASSEMBLY | |
| 57 | 56305138 | 1 | HOSE ASSY | |
| 58 | 56305532 | 1 | HOSE ASSY | |
| 59 | 56305533 | 1 | HOSE ASSY | |
| 64 | 56900404 | 2 | ELBOW UNION 8 E00012 | |
| 65 | 56900401 | 1 | ELBOW UNION - 4 E00012 | |
| 66 | 56305852 | 1 | HOSE ASSEMBLY | |
| 67 | 56306005 | 1 | HOSE ASSEMBLY | |
| 68 | 56306006 | 1 | Schlauchleitung | |
| 69 | 56306004 | 1 | HOSE ASSEMBLY | |

| Pos. | Artikel-Nr. | Menge | Variante | Notes |
|------|-------------|-------|-----------------|-------|
| 70 | 56306003 | 1 | Schlauchleitung | |

Part Notes:

[1] - not shown

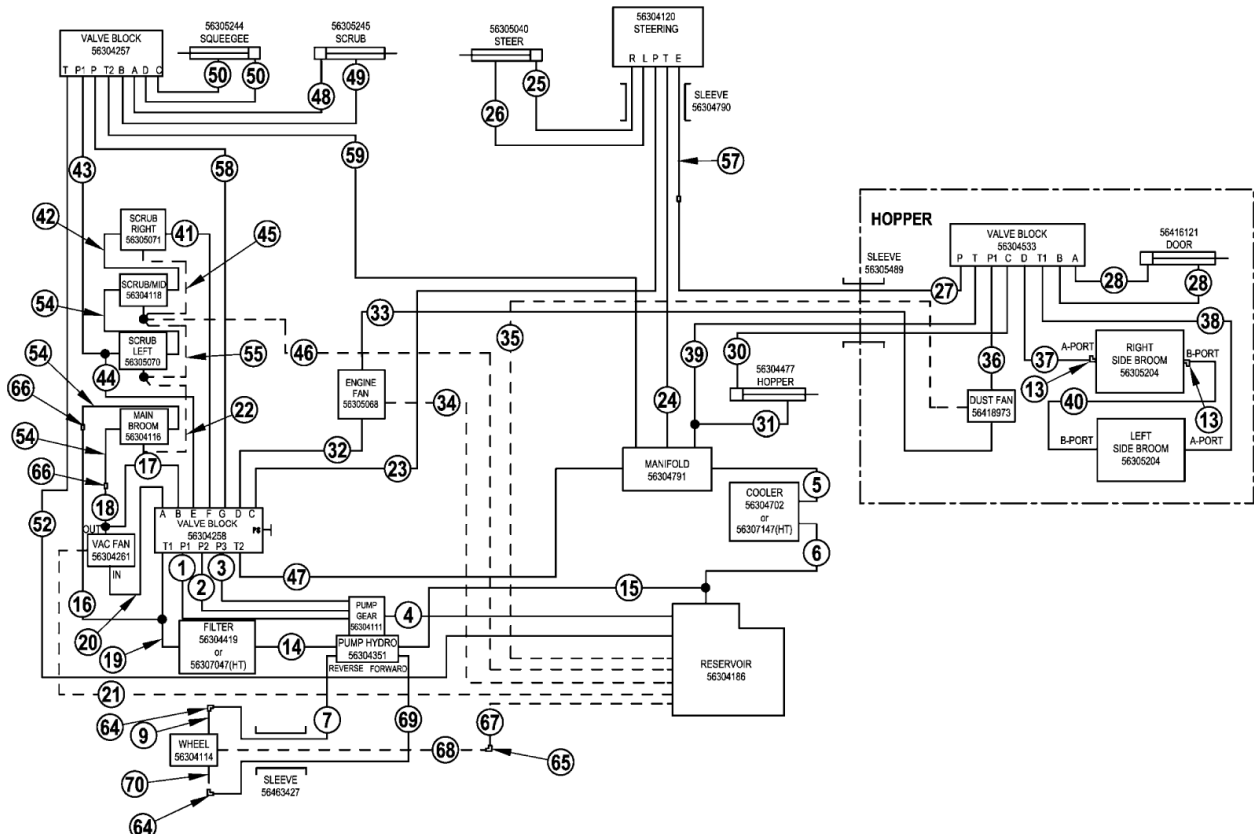


| Pos. | Artikel-Nr. | Menge | Variante | Notes |
|------|-------------|-------|--------------------------------|-------|
| 01 | 56305130 | 1 | HOSE ASSY | |
| 02 | 56305131 | 1 | HOSE ASSY | |
| 03 | 56305132 | 1 | HOSE ASSY | |
| 04 | 56305133 | 1 | HOSE ASSY | |
| 05 | 56305134 | 1 | HOSE ASSY | |
| 06 | 56305135 | 1 | HOSE ASSY | |
| 07 | 56305498 | 1 | HOSE ASSY | |
| 08 | 56305136 | 1 | HOSE ASSY | |
| 09 | 56305137 | 1 | Hydraulickschlauch DN121600 mm | |
| 11 | 56305139 | 1 | Schlauchleitung | |
| 12 | 56305140 | 1 | Schlauch | |
| 13 | 56305141 | 1 | HOSE ASSY | |
| 14 | 56305142 | 1 | HOSE ASSY | |
| 15 | 56305143 | 1 | HOSE ASSY | |
| 16 | 56305144 | 1 | HOSE ASSY | |
| 17 | 56305145 | 1 | HOSE ASSY | |
| 18 | 56305146 | 1 | HOSE ASSY | |
| 19 | 56305147 | 1 | HOSE ASSY | |
| 20 | 56305148 | 1 | HOSE ASSY | |
| 21 | 56305149 | 1 | Hydraulik-Schlauch | |
| 22 | 56305150 | 1 | HOSE ASSY | |
| 23 | 56305151 | 1 | HOSE ASSY | |
| 24 | 56305152 | 1 | HOSE ASSY | |
| 25 | 56305153 | 1 | HOSE ASSY | |
| 26 | 56305154 | 1 | HOSE ASSY | |
| 27 | 56305155 | 1 | HOSE ASSY | |
| 28 | 56305156 | 2 | HOSE ASSY | |
| 30 | 56305158 | 1 | HOSE ASSY | |
| 31 | 56305159 | 1 | HOSE ASSY | |
| 32 | 56305160 | 1 | HOSE ASSY | |
| 33 | 56305161 | 1 | HOSE ASSY | |
| 34 | 56305162 | 1 | HOSE ASSY | |
| 35 | 56305163 | 1 | Hydraulik-Schlauch | |
| 36 | 56305164 | 1 | HOSE ASSY | |
| 37 | 56305165 | 1 | HOSE ASSY | |
| 38 | 56305166 | 1 | HOSE ASSY | |
| 39 | 56305167 | 1 | HOSE ASSY | |
| 40 | 56305168 | 1 | HOSE ASSY | |
| 41 | 56305169 | 1 | HOSE ASSY | |
| 42 | 56305170 | 1 | HOSE ASSY | |
| 43 | 56305171 | 1 | HOSE ASSY | |
| 44 | 56305172 | 1 | HOSE ASSY | |
| 45 | 56305173 | 1 | HOSE ASSY | |
| 46 | 56305174 | 1 | Hydraulik-Schlauch | |
| 47 | 56305175 | 1 | HOSE ASSY | |
| 48 | 56305176 | 1 | HOSE ASSY | |
| 49 | 56305177 | 1 | HOSE ASSY | |
| 50 | 56305178 | 2 | HOSE ASSY | |
| 52 | 56305180 | 1 | HOSE ASSY | |
| 54 | 56305181 | 3 | Hydraulikschlauch | |
| 55 | 56305182 | 1 | HOSE ASSY | |
| 57 | 56305138 | 1 | HOSE ASSY | |
| 58 | 56305532 | 1 | HOSE ASSY | |
| 59 | 56305533 | 1 | HOSE ASSY | |
| 64 | 56900404 | 2 | ELBOW UNION 8 E00012 | |
| 65 | 56900401 | 1 | ELBOW UNION - 4 E00012 | |
| 66 | 56419064 | 2 | LOCKNUT BULKHEAD E00598 | |
| 67 | 56305024 | 9 | Klammer P | [1] |
| 68 | 56409463 | 1 | Clamp, 1.25 Hose support | [1] |

| Pos. | Artikel-Nr. | Menge | Variante | Notes |
|------|-------------|-------|---------------------------|-------|
| 69 | 56496276 | 1 | Klammer | [1] |
| 99 | 56900304 | 1 | ELBOW 90D W/NUT -8 E00007 | |

Part Notes:

[1] - not shown



Resource notes:

NOTE 1: These items are only used on the HT models 56307236 & 56307238.

Hydraulic schematic - CR 1200 after SN 1873835 - Hydraulic System

CR 1200 D/P/LPG

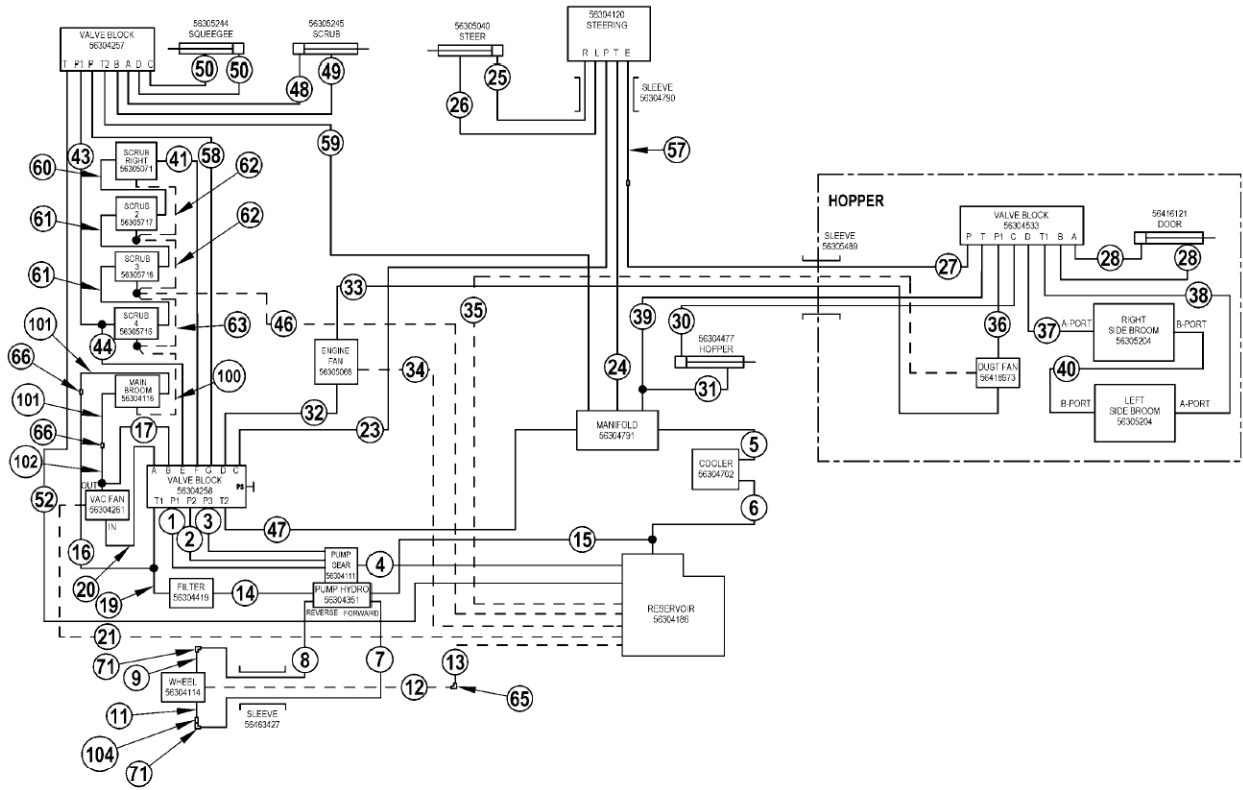
2013.04.02

| Pos. | Artikel-Nr. | Menge | Variante | Notes |
|------|-------------|-------|--------------------------------|-------|
| 01 | 56305130 | 1 | HOSE ASSY | |
| 02 | 56305131 | 1 | HOSE ASSY | |
| 03 | 56305132 | 1 | HOSE ASSY | |
| 04 | 56305133 | 1 | HOSE ASSY | |
| 05 | 56305134 | 1 | HOSE ASSY | |
| 05 | 56307139 | 1 | HOSE ASSEMBLY | [1] |
| 06 | 56307138 | 1 | HOSE ASSEMBLY | [1] |
| 06 | 56305135 | 1 | HOSE ASSY | |
| 07 | 56305498 | 1 | HOSE ASSY | |
| 09 | 56305137 | 1 | Hydraulickschlauch DN121600 mm | |
| 100 | 56409463 | 1 | Clamp, 1.25 Hose support | [2] |
| 101 | 56496276 | 1 | Klammer | [2] |
| 13 | 56900303 | 2 | ELBOW 90D W/NUT 6C6X-S E00007 | |
| 14 | 56305142 | 1 | HOSE ASSY | |
| 15 | 56305143 | 1 | HOSE ASSY | |
| 16 | 56305144 | 1 | HOSE ASSY | |
| 17 | 56305145 | 1 | HOSE ASSY | |
| 18 | 56305146 | 1 | HOSE ASSY | |
| 19 | 56305147 | 1 | HOSE ASSY | |
| 20 | 56305148 | 1 | HOSE ASSY | |
| 21 | 56305149 | 1 | Hydraulik-Schlauch | |
| 22 | 56305150 | 1 | HOSE ASSY | |
| 23 | 56305151 | 1 | HOSE ASSY | |
| 24 | 56305152 | 1 | HOSE ASSY | |
| 25 | 56305153 | 1 | HOSE ASSY | |
| 26 | 56305154 | 1 | HOSE ASSY | |
| 27 | 56305155 | 1 | HOSE ASSY | |
| 28 | 56305156 | 2 | HOSE ASSY | |
| 30 | 56305158 | 1 | HOSE ASSY | |
| 31 | 56305159 | 1 | HOSE ASSY | |
| 32 | 56305160 | 1 | HOSE ASSY | |
| 33 | 56305161 | 1 | HOSE ASSY | |
| 34 | 56305162 | 1 | HOSE ASSY | |
| 35 | 56305163 | 1 | Hydraulik-Schlauch | |
| 36 | 56305164 | 1 | HOSE ASSY | |
| 37 | 56305165 | 1 | HOSE ASSY | |
| 38 | 56305166 | 1 | HOSE ASSY | |
| 39 | 56305167 | 1 | HOSE ASSY | |
| 40 | 56305168 | 1 | HOSE ASSY | |
| 41 | 56305169 | 1 | HOSE ASSY | |
| 42 | 56305170 | 1 | HOSE ASSY | |
| 43 | 56305171 | 1 | HOSE ASSY | |
| 44 | 56305172 | 1 | HOSE ASSY | |
| 45 | 56305173 | 1 | HOSE ASSY | |
| 46 | 56305174 | 1 | Hydraulik-Schlauch | |
| 47 | 56305175 | 1 | HOSE ASSY | |
| 48 | 56305176 | 1 | HOSE ASSY | |
| 49 | 56305177 | 1 | HOSE ASSY | |
| 50 | 56305178 | 2 | HOSE ASSY | |
| 52 | 56305180 | 1 | HOSE ASSY | |
| 54 | 56305181 | 3 | Hydraulikschlauch | |
| 55 | 56305182 | 1 | HOSE ASSY | |
| 57 | 56305138 | 1 | HOSE ASSY | |
| 58 | 56305532 | 1 | HOSE ASSY | |
| 59 | 56305533 | 1 | HOSE ASSY | |
| 64 | 56900404 | 2 | ELBOW UNION 8 E00012 | |
| 65 | 56900401 | 1 | ELBOW UNION - 4 E00012 | |
| 66 | 56419064 | 2 | LOCKNUT BULKHEAD E00598 | |
| 67 | 56306005 | 1 | HOSE ASSEMBLY | |

| Pos. | Artikel-Nr. | Menge | Variante | Notes |
|------|-------------|-------|-----------------|-------|
| 68 | 56306006 | 1 | Schlauchleitung | |
| 69 | 56306004 | 1 | HOSE ASSEMBLY | |
| 70 | 56306003 | 1 | Schlauchleitung | |
| 99 | 56305024 | 9 | Klammer P | [2] |

Part Notes:

- [1] - NOTE 1
- [2] - not shown

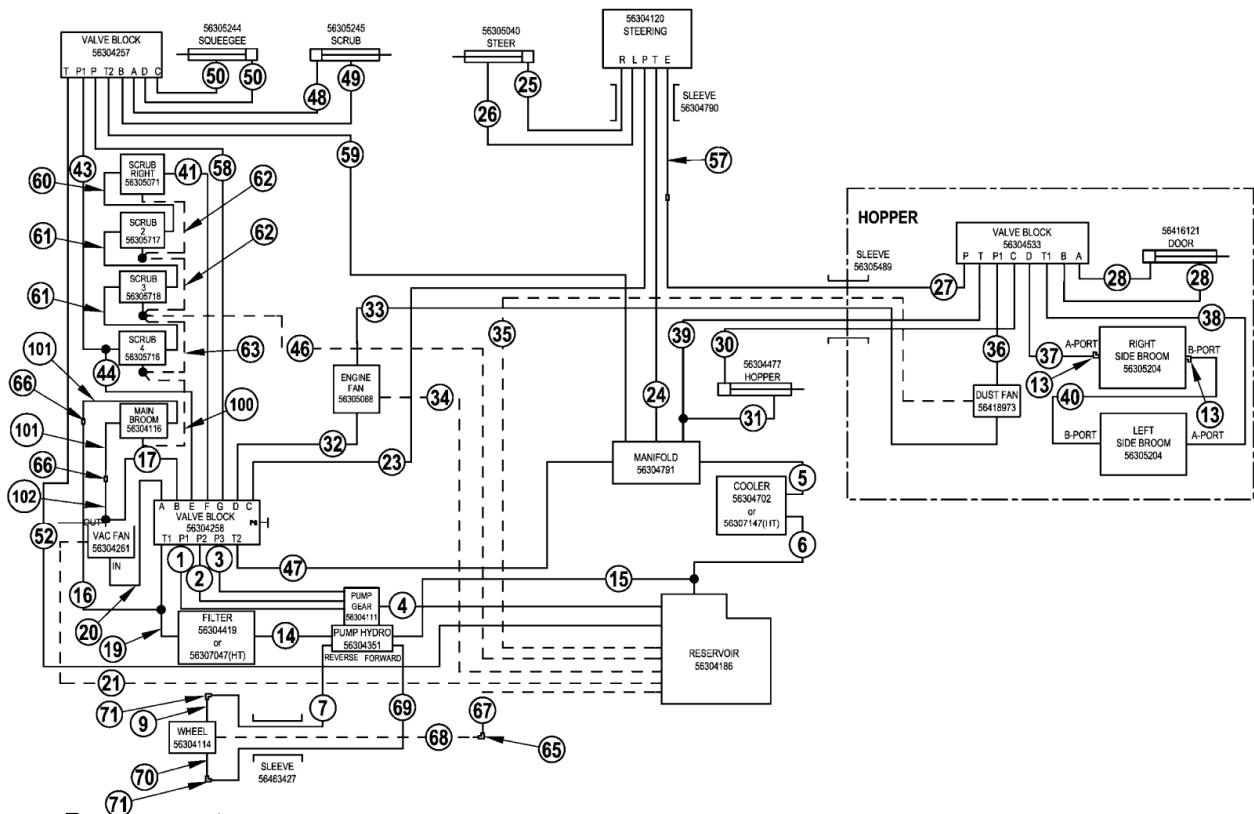


| Pos. | Artikel-Nr. | Menge | Variante | Notes |
|------|-------------|-------|--------------------------------|-------|
| 01 | 56305130 | 1 | HOSE ASSY | |
| 02 | 56305131 | 1 | HOSE ASSY | |
| 03 | 56305132 | 1 | HOSE ASSY | |
| 04 | 56305133 | 1 | HOSE ASSY | |
| 05 | 56305134 | 1 | HOSE ASSY | |
| 06 | 56305135 | 1 | HOSE ASSY | |
| 07 | 56305498 | 1 | HOSE ASSY | |
| 08 | 56305136 | 1 | HOSE ASSY | |
| 09 | 56305137 | 1 | Hydraulickschlauch DN121600 mm | |
| 100 | 56305925 | 1 | HOSE ASSEMBLY | |
| 101 | 56305754 | 2 | HOSE ASSEMBLY | |
| 102 | 56305936 | 1 | HOSE ASSEMBLY | |
| 104 | 56900304 | 1 | ELBOW 90D W/NUT -8 E00007 | |
| 11 | 56305139 | 1 | Schlauchleitung | |
| 12 | 56305140 | 1 | Schlauch | |
| 13 | 56305141 | 1 | HOSE ASSY | |
| 14 | 56305142 | 1 | HOSE ASSY | |
| 15 | 56305143 | 1 | HOSE ASSY | |
| 16 | 56305144 | 1 | HOSE ASSY | |
| 17 | 56305145 | 1 | HOSE ASSY | |
| 18 | 56305146 | 1 | HOSE ASSY | |
| 19 | 56305147 | 1 | HOSE ASSY | |
| 20 | 56305148 | 1 | HOSE ASSY | |
| 21 | 56305149 | 1 | Hydraulik-Schlauch | |
| 22 | 56305150 | 1 | HOSE ASSY | |
| 23 | 56305151 | 1 | HOSE ASSY | |
| 24 | 56305152 | 1 | HOSE ASSY | |
| 25 | 56305153 | 1 | HOSE ASSY | |
| 26 | 56305154 | 1 | HOSE ASSY | |
| 27 | 56305155 | 1 | HOSE ASSY | |
| 28 | 56305156 | 2 | HOSE ASSY | |
| 30 | 56305158 | 1 | HOSE ASSY | |
| 31 | 56305159 | 1 | HOSE ASSY | |
| 32 | 56305160 | 1 | HOSE ASSY | |
| 33 | 56305161 | 1 | HOSE ASSY | |
| 34 | 56305162 | 1 | HOSE ASSY | |
| 35 | 56305163 | 1 | Hydraulik-Schlauch | |
| 36 | 56305164 | 1 | HOSE ASSY | |
| 37 | 56305165 | 1 | HOSE ASSY | |
| 38 | 56305166 | 1 | HOSE ASSY | |
| 39 | 56305167 | 1 | HOSE ASSY | |
| 40 | 56305168 | 1 | HOSE ASSY | |
| 41 | 56305169 | 1 | HOSE ASSY | |
| 43 | 56305171 | 1 | HOSE ASSY | |
| 44 | 56305172 | 1 | HOSE ASSY | |
| 46 | 56305174 | 1 | Hydraulik-Schlauch | |
| 47 | 56305175 | 1 | HOSE ASSY | |
| 48 | 56305176 | 1 | HOSE ASSY | |
| 49 | 56305177 | 1 | HOSE ASSY | |
| 50 | 56305178 | 2 | HOSE ASSY | |
| 52 | 56305180 | 1 | HOSE ASSY | |
| 56 | 56305754 | 2 | HOSE ASSEMBLY | |
| 57 | 56305138 | 1 | HOSE ASSY | |
| 58 | 56305532 | 1 | HOSE ASSY | |
| 59 | 56305533 | 1 | HOSE ASSY | |
| 60 | 56305673 | 1 | HOSE ASSEMBLY | |
| 61 | 56305674 | 2 | HOSE ASSEMBLY | |
| 62 | 56305675 | 2 | HOSE ASSEMBLY | |
| 63 | 56305676 | 1 | HOSE ASSEMBLY | |

| Pos. | Artikel-Nr. | Menge | Variante | Notes |
|------|-------------|-------|---------------------------|-------|
| 64 | 56305677 | 1 | HOSE ASSEMBLY | |
| 65 | 56900401 | 1 | ELBOW UNION - 4 E00012 | |
| 66 | 56419064 | 2 | LOCKNUT BULKHEAD E00598 | |
| 67 | 56305024 | 8 | Klammer P | [1] |
| 68 | 56409463 | 1 | Clamp, 1.25 Hose support | [1] |
| 69 | 56496276 | 1 | Klammer | [1] |
| 70 | 56900301 | 1 | ELBOW 90D W/NUT -4 E00007 | |
| 71 | 56900404 | 2 | ELBOW UNION 8 E00012 | |

Part Notes:

[1] - not shown



Resource notes:

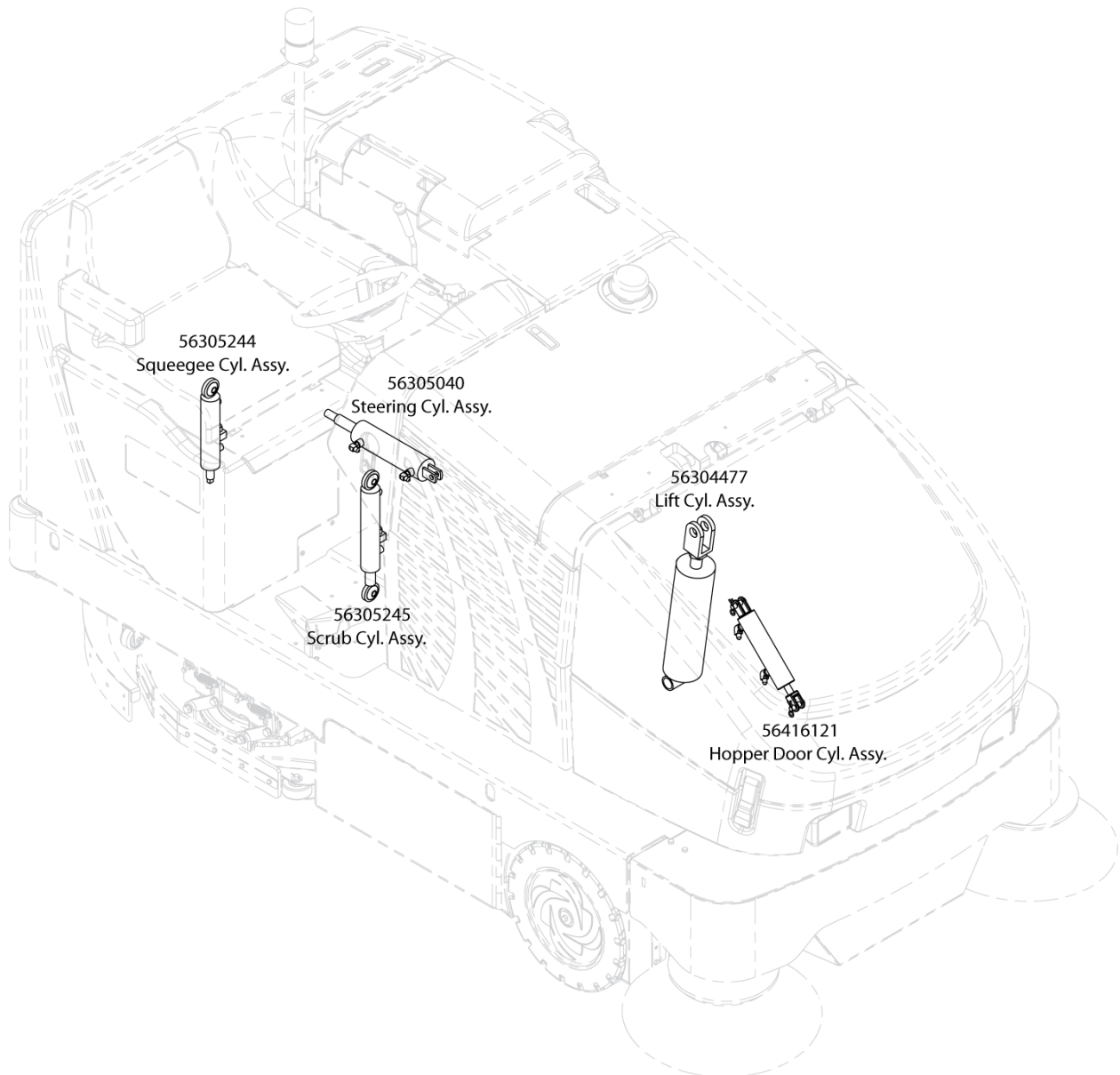
NOTE 1: These items are only used on the HT models 56307236 & 56307238.

| Pos. | Artikel-Nr. | Menge | Variante | Notes |
|------|-------------|-------|--------------------------------|-------|
| 01 | 56305130 | 1 | HOSE ASSY | |
| 02 | 56305131 | 1 | HOSE ASSY | |
| 03 | 56305132 | 1 | HOSE ASSY | |
| 04 | 56305133 | 1 | HOSE ASSY | |
| 05 | 56305134 | 1 | HOSE ASSY | |
| 05 | 56307139 | 1 | HOSE ASSEMBLY | [1] |
| 06 | 56307138 | 1 | HOSE ASSEMBLY | [1] |
| 06 | 56305135 | 1 | HOSE ASSY | |
| 07 | 56305498 | 1 | HOSE ASSY | |
| 09 | 56305137 | 1 | Hydraulickschlauch DN121600 mm | |
| 100 | 56305925 | 1 | HOSE ASSEMBLY | |
| 101 | 56305754 | 2 | HOSE ASSEMBLY | |
| 102 | 56305936 | 1 | HOSE ASSEMBLY | |
| 104 | 56305024 | 8 | Klammer P | [2] |
| 105 | 56409463 | 1 | Clamp, 1.25 Hose support | [3] |
| 106 | 56496276 | 1 | Klammer | [3] |
| 13 | 56900303 | 2 | ELBOW 90D W/NUT 6C6X-S E00007 | |
| 14 | 56305142 | 1 | HOSE ASSY | |
| 15 | 56305143 | 1 | HOSE ASSY | |
| 16 | 56305144 | 1 | HOSE ASSY | |
| 17 | 56305145 | 1 | HOSE ASSY | |
| 19 | 56305147 | 1 | HOSE ASSY | |
| 20 | 56305148 | 1 | HOSE ASSY | |
| 21 | 56305149 | 1 | Hydraulik-Schlauch | |
| 23 | 56305151 | 1 | HOSE ASSY | |
| 24 | 56305152 | 1 | HOSE ASSY | |
| 25 | 56305153 | 1 | HOSE ASSY | |
| 26 | 56305154 | 1 | HOSE ASSY | |
| 27 | 56305155 | 1 | HOSE ASSY | |
| 28 | 56305156 | 2 | HOSE ASSY | |
| 30 | 56305158 | 1 | HOSE ASSY | |
| 31 | 56305159 | 1 | HOSE ASSY | |
| 32 | 56305160 | 1 | HOSE ASSY | |
| 33 | 56305161 | 1 | HOSE ASSY | |
| 34 | 56305162 | 1 | HOSE ASSY | |
| 35 | 56305163 | 1 | Hydraulik-Schlauch | |
| 36 | 56305164 | 1 | HOSE ASSY | |
| 37 | 56305165 | 1 | HOSE ASSY | |
| 38 | 56305166 | 1 | HOSE ASSY | |
| 39 | 56305167 | 1 | HOSE ASSY | |
| 40 | 56305168 | 1 | HOSE ASSY | |
| 41 | 56305169 | 1 | HOSE ASSY | |
| 43 | 56305171 | 1 | HOSE ASSY | |
| 44 | 56305172 | 1 | HOSE ASSY | |
| 46 | 56305174 | 1 | Hydraulik-Schlauch | |
| 47 | 56305175 | 1 | HOSE ASSY | |
| 48 | 56305176 | 1 | HOSE ASSY | |
| 49 | 56305177 | 1 | HOSE ASSY | |
| 50 | 56305178 | 2 | HOSE ASSY | |
| 52 | 56305180 | 1 | HOSE ASSY | |
| 57 | 56305138 | 1 | HOSE ASSY | |
| 58 | 56305532 | 1 | HOSE ASSY | |
| 59 | 56305533 | 1 | HOSE ASSY | |
| 60 | 56305673 | 1 | HOSE ASSEMBLY | |
| 61 | 56305674 | 2 | HOSE ASSEMBLY | |
| 62 | 56305675 | 2 | HOSE ASSEMBLY | |
| 63 | 56305676 | 1 | HOSE ASSEMBLY | |
| 65 | 56900401 | 1 | ELBOW UNION - 4 E00012 | |
| 66 | 56419064 | 2 | LOCKNUT BULKHEAD E00598 | |

| Pos. | Artikel-Nr. | Menge | Variante | Notes |
|------|-------------|-------|----------------------|-------|
| 67 | 56306005 | 1 | HOSE ASSEMBLY | |
| 68 | 56306006 | 1 | Schlauchleitung | |
| 69 | 56306004 | 1 | HOSE ASSEMBLY | |
| 70 | 56306003 | 1 | Schlauchleitung | |
| 71 | 56900404 | 2 | ELBOW UNION 8 E00012 | |

Part Notes:

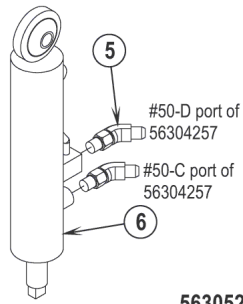
- [1] - NOTE 1
- [2] - not shown
- [3] - not shown



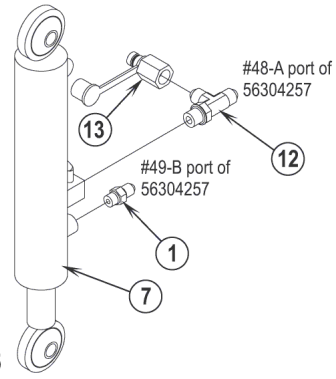
| Pos. | Artikel-Nr. | Menge | Variante | Notes |
|------|-------------|-------|------------------------|-------|
| 00 | 56305244 | 1 | Zylinder | [1] |
| 00 | 56305040 | 1 | Zylinder | [1] |
| 00 | 56304477 | 1 | LIFT CYLINDER ASSEMBLY | [1] |
| 00 | 56416121 | 1 | Hydraulikzylinder für | [1] |

Part Notes:

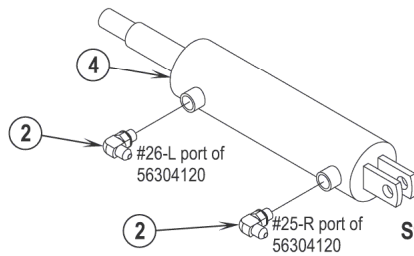
[1] - See Hydraulic cylinder assemblies - Hydraulic System



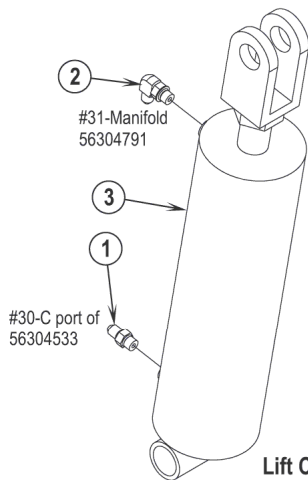
56305244
Squeegee Cylinder Assy



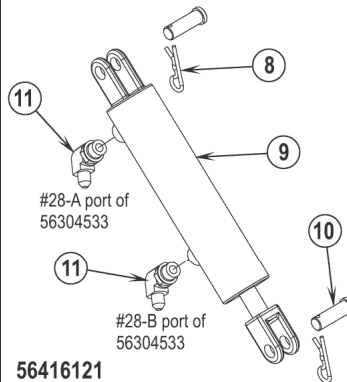
56305245
Scrub Cylinder Assy



56305040
Steering Cylinder Assy



56304477
Lift Cylinder Assy

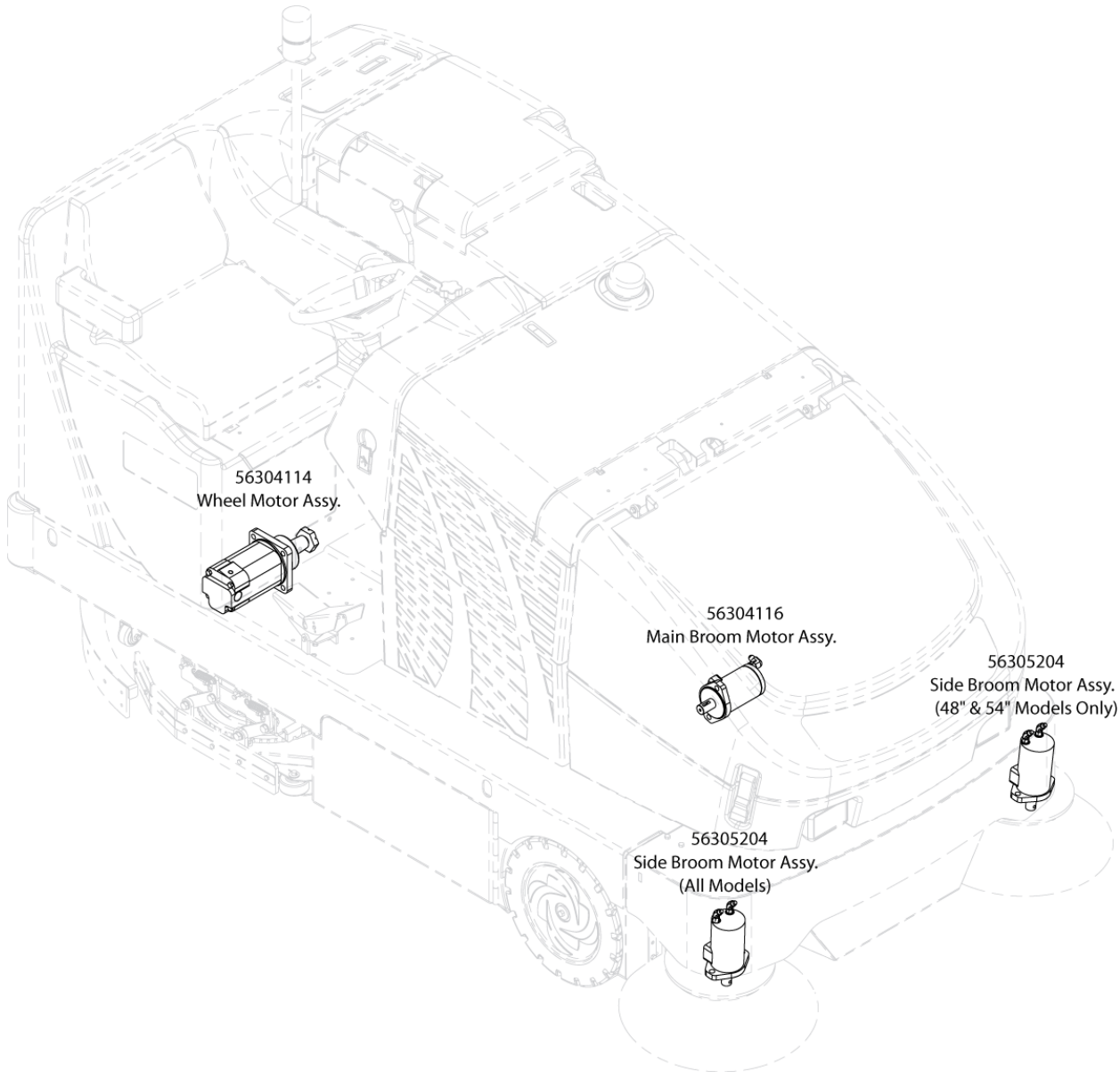


56416121
Hopper Door Cylinder Assy

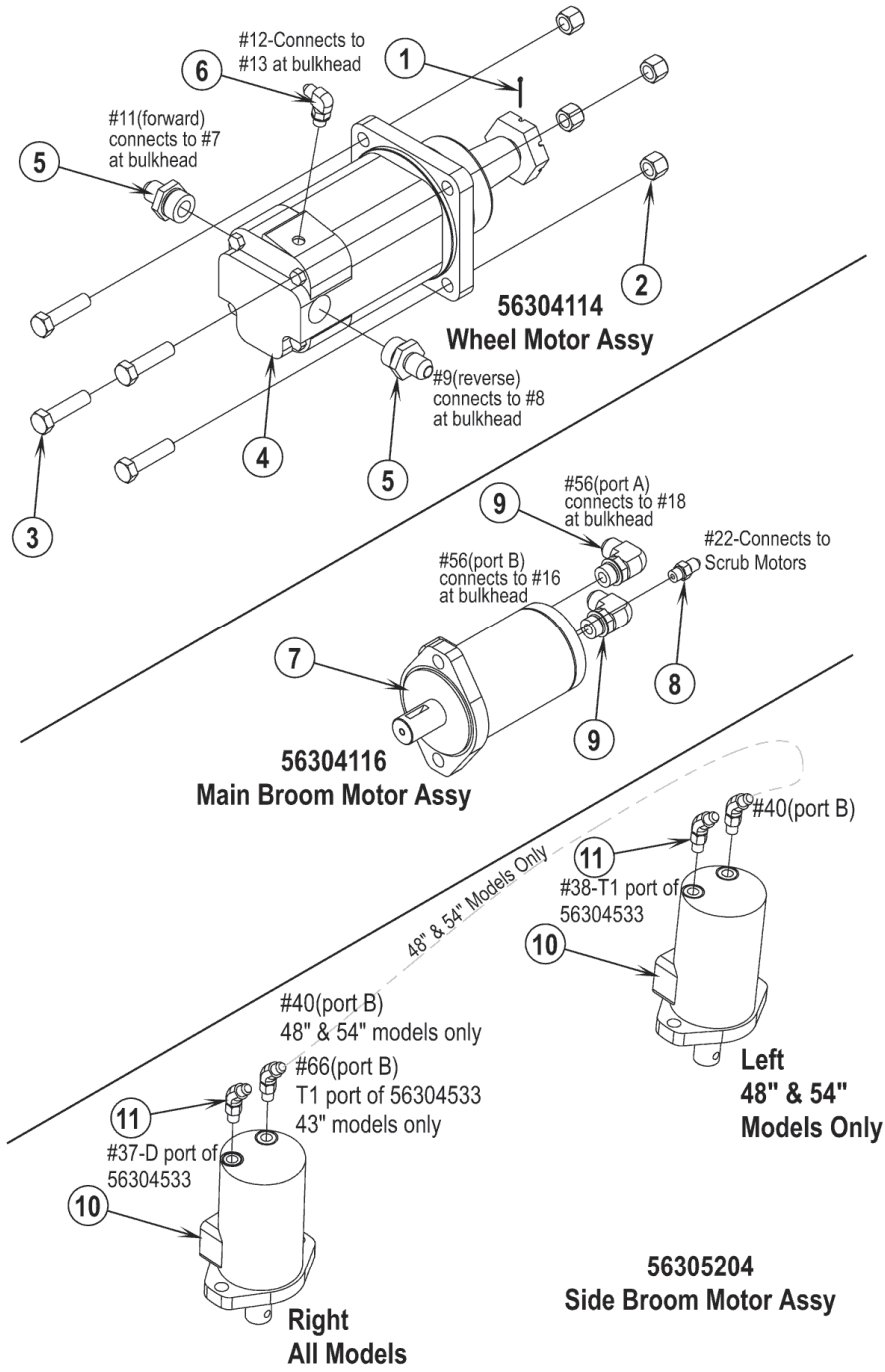
| Pos. | Artikel-Nr. | Menge | Variante | Notes |
|------|-------------|-------|---------------------------|-------|
| 00 | 56416121 | 1 | Hydraulikzylinder für | |
| 00 | 56305244 | 1 | Zylinder | |
| 00 | 56305704 | 1 | SEAL KIT | [1] |
| 00 | 56304477 | 1 | LIFT CYLINDER ASSEMBLY | |
| 00 | 56305702 | 1 | Abdichtungskit | [2] |
| 00 | 56305703 | 1 | SEAL KIT | [3] |
| 00 | 56305040 | 1 | Zylinder | |
| 00 | 56305245 | 1 | SCRUB CYLINDER ASSEMBLY | |
| 00 | 56488723 | 1 | SEAL KIT | [4] |
| 01 | 56900001 | 3 | O-ring verbindung | |
| 02 | 56900101 | 3 | Bogen 90 Grad | |
| 03 | 56304478 | 1 | CYLINDER HOPPER | |
| 04 | 56304933 | 1 | Zylinder, hydraulisch 2x6 | |
| 05 | 56900151 | 2 | ELBOW 45 DEG O/R-4 E00004 | |
| 06 | 56304588 | 1 | Zylinder | |
| 07 | 56304603 | 1 | Zylinder, Hydraulic | |
| 08 | 56002529 | 2 | PIN Cotter .12x1.00 | |
| 09 | 56416202 | 1 | CYLINDER HYDRAULIC | |
| 10 | 56486733 | 2 | PIN-CLEVIS-.5X1.5 | |
| 11 | 56900110 | 2 | Winkel 90Grad f. CR 1300 | |
| 12 | 56900201 | 1 | TEE RUN O/R -4 E00005 | |
| 13 | 56900906 | 1 | TEST NIPPLE | |

Part Notes:

- [1] - Lift Cylinder Assy Replacement Parts (56304477) - not shown
- [2] - Squeegee Cylinder Assy Replacement Parts (56305244) - not shown
- [3] - Scrub Cylinder Assy Replacement Parts (56305245) - not shown
- [4] - Steering Cylinder Assy Replacement Parts (56305040) - not shown



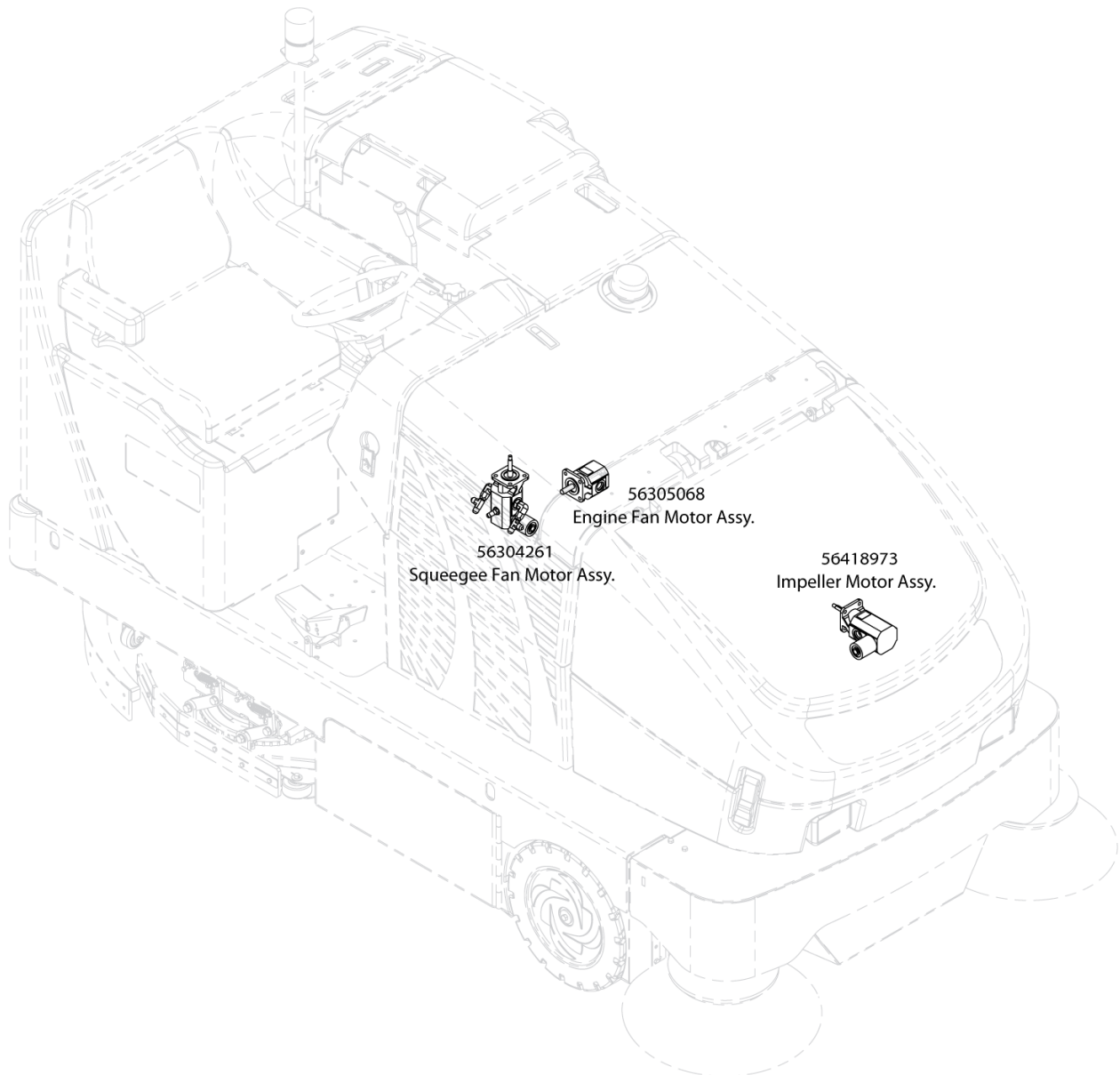
| Pos. | Artikel-Nr. | Menge | Variante | Notes |
|------|-------------|-------|-------------------------|-------|
| 00 | 56304114 | 1 | Fahrmotor | |
| | 56304116 | 1 | Bürstenmotor | |
| | 56305204 | 2 | Motorkit f. Seitenbesen | |



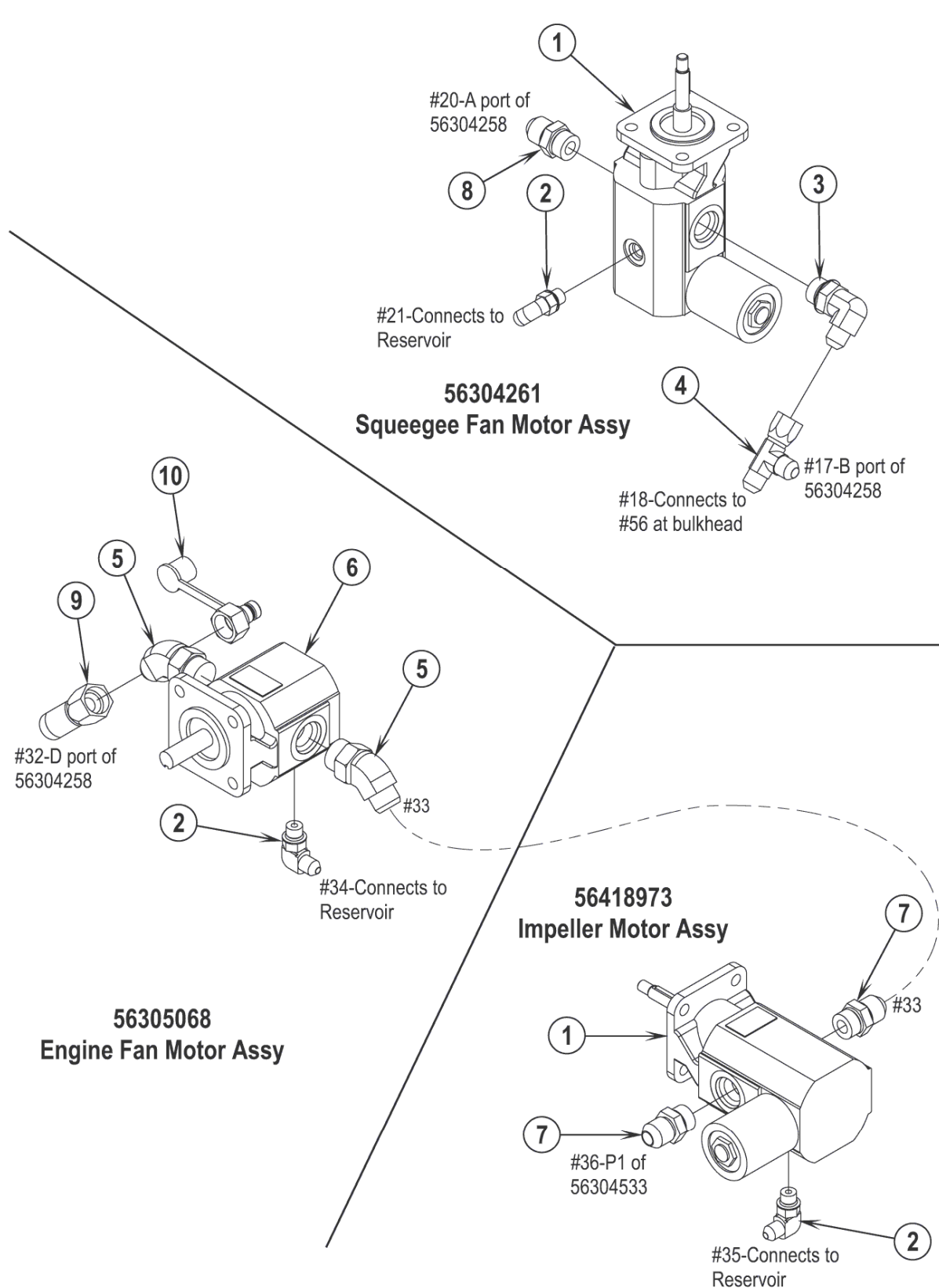
| Pos. | Artikel-Nr. | Menge | Variante | Notes |
|------|-------------|-------|----------------------------|-------|
| 00 | 56304114 | 1 | Fahrmotor | |
| 00 | 56479577 | 1 | Dichtsatz | [1] |
| 00 | 56305204 | 2 | Motorkit f. Seitenbesen | |
| 00 | 56305358 | 1 | Dichtungssatz | [2] |
| 00 | 56304116 | 1 | Bürstenmotor | |
| 01 | 56002181 | 1 | PIN COT .12X1.50 | |
| 02 | 56002770 | 4 | Mutter 1/2 - 13 | |
| 03 | 56002983 | 4 | SCR HEX 1/2-13x2.00 | |
| 04 | 56304115 | 1 | Fahrmotor | |
| 04 | 2-00-06549 | 1 | KEY-SHAFT | [3] |
| 05 | 56900016 | 2 | Anschlussstückl | |
| 06 | 56900101 | 1 | Bogen 90 Grad | |
| 07 | 56304117 | 1 | Hydraulikmotor | |
| 08 | 56900001 | 1 | O-ring verbindung | |
| 09 | 56900112 | 2 | ELBOW 90DEG.O/R-6-8 E00003 | |
| 10 | 56418976 | 2 | Motor f. Seitenbesen | |
| 11 | 56900162 | 4 | Winkelanschluß 45G | |

Part Notes:

- [1] - Broom Motor Replacement Part - not shown
- [2] - Wheel Motor Replacement Parts (56304144) - not shown
- [3] - KEY for motor axle on motor 56304115
EXPIRED USE 8-70-00026



| Pos. | Artikel-Nr. | Menge | Variante | Notes |
|------|-------------|-------|-----------------------------|-------|
| 00 | 56304261 | 1 | SQUEEGEE FAN MOTOR ASSEMBLY | |
| | 56305068 | | Gebäsemotor kpl. | |
| | 56418973 | | Motor f. Antriebsrad | |



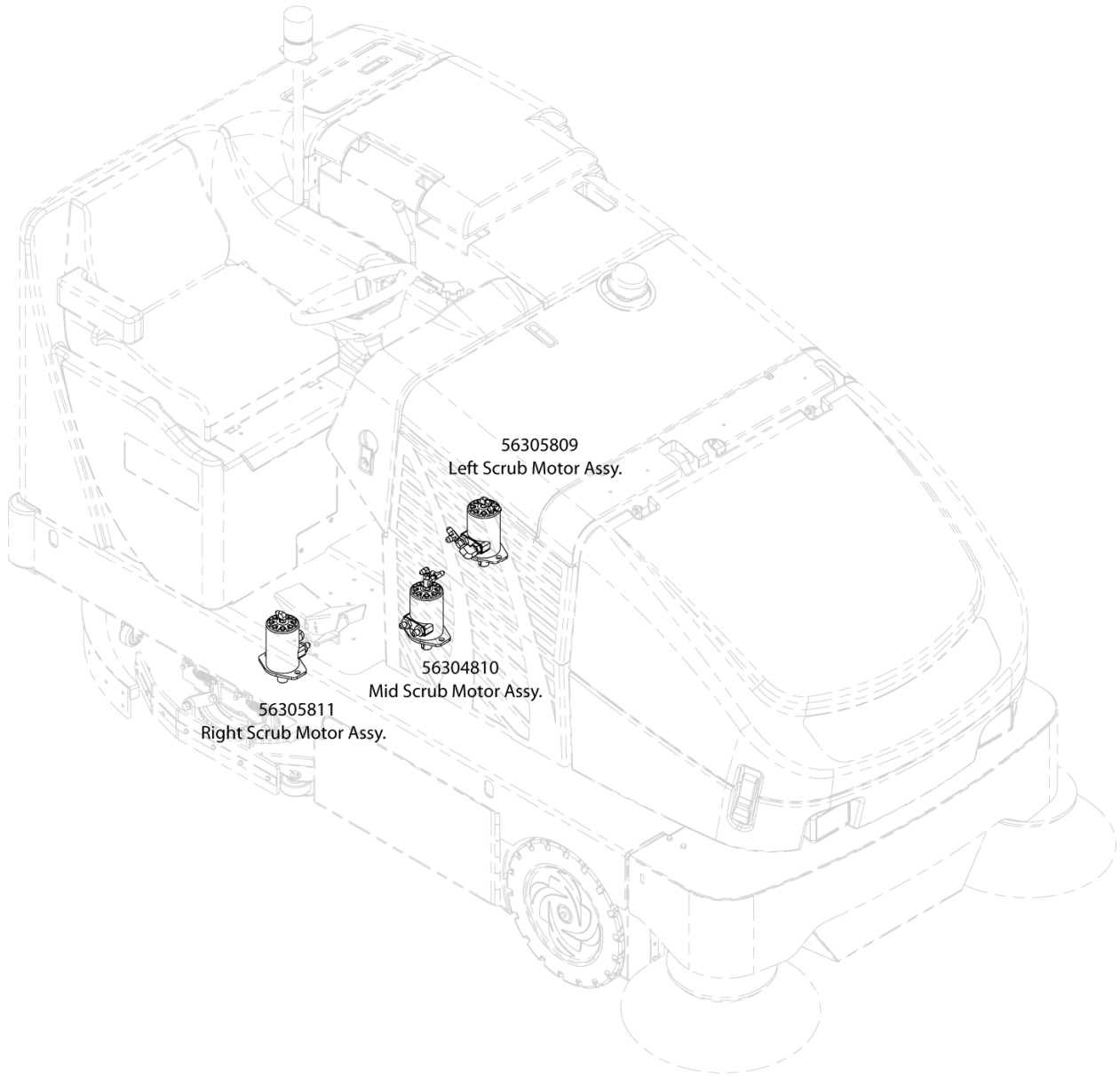
Resource notes:

Pos. A= Squeegee Fan Motor / Impeller Motor Replacement Parts (56304261 / 56418973)

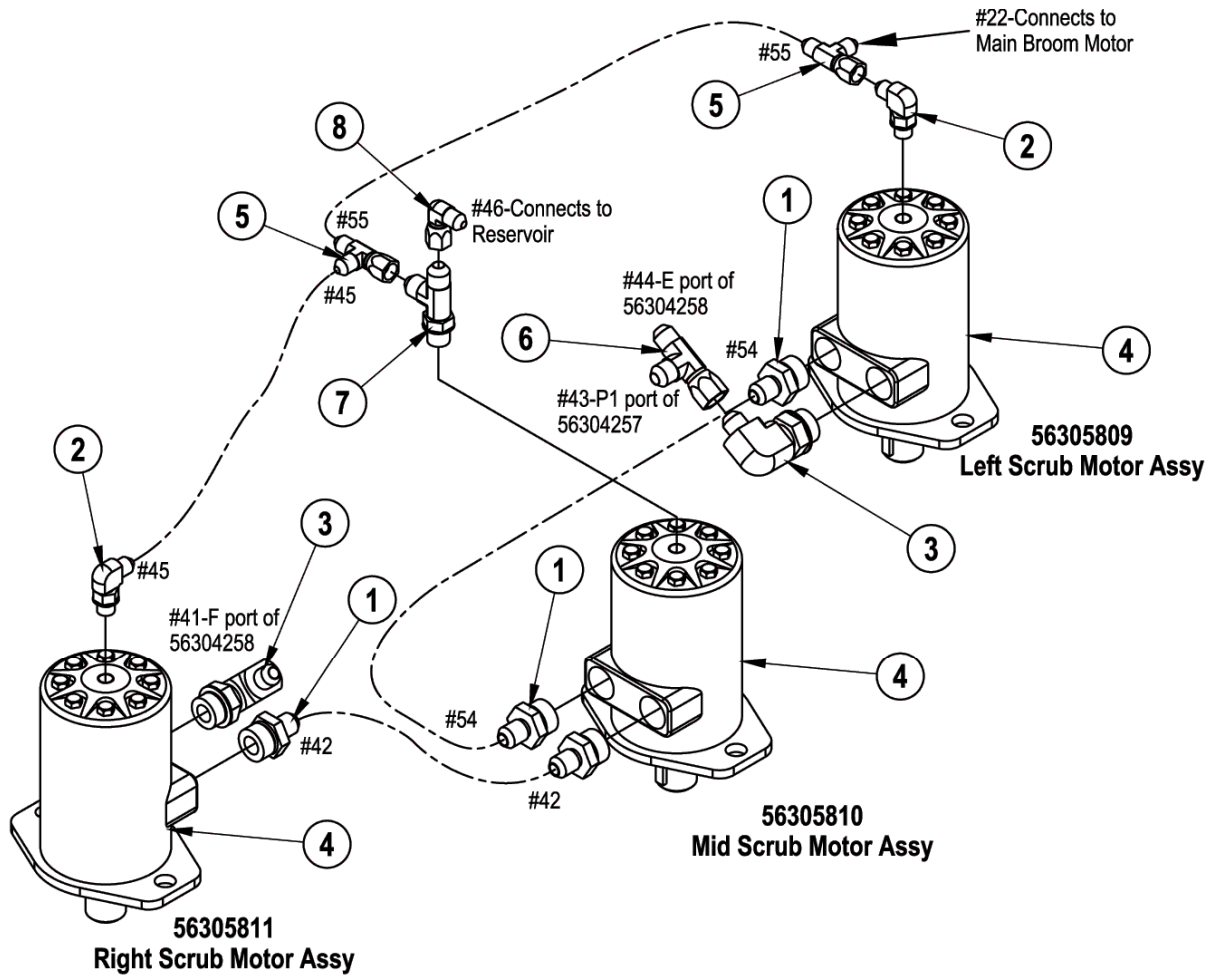
| Pos. | Artikel-Nr. | Menge | Variante | Notes |
|------|-------------|-------|-----------------------------|-------|
| 00 | 56418973 | 1 | Motor f. Antriebsrad | |
| 00 | 56304261 | 1 | SQUEEGEE FAN MOTOR ASSEMBLY | |
| 00 | 56305068 | 1 | Gebläsemotor kpl. | |
| 01 | 56418971 | 2 | Motor Hydraulic | |
| 02 | 56900101 | 3 | Bogen 90 Grad | |
| 03 | 56900112 | 1 | ELBOW 90DEG.O/R-6-8 E00003 | |
| 04 | 56900343 | 1 | T-Stück | |
| 05 | 56900164 | 2 | ELBOW 45D O/R-8-10 | |
| 06 | 56304143 | 1 | Hydraulikmotor | |
| 07 | 56900004 | 2 | Stecker O/R | |
| 08 | 56900013 | 1 | CONNECTOR O/R -6-8 E00001 | |
| 09 | 56900344 | 1 | TEE E00009 | |
| 0A | 56419178 | 1 | Dichtsatz | [1] |
| 0A | 56419176 | 1 | SOLENOID CARTRIDGE | [2] |
| 0A | 56419177 | 1 | Spule | [1] |
| 0A | 56418823 | 1 | Shaft Dichtung | [1] |
| 10 | 56418866 | 1 | COUPLING 8 TEST PORT | |

Part Notes:

- [1] - Not shown
 [2] - Not shown
 EXPIRED NO REPLACEMENT



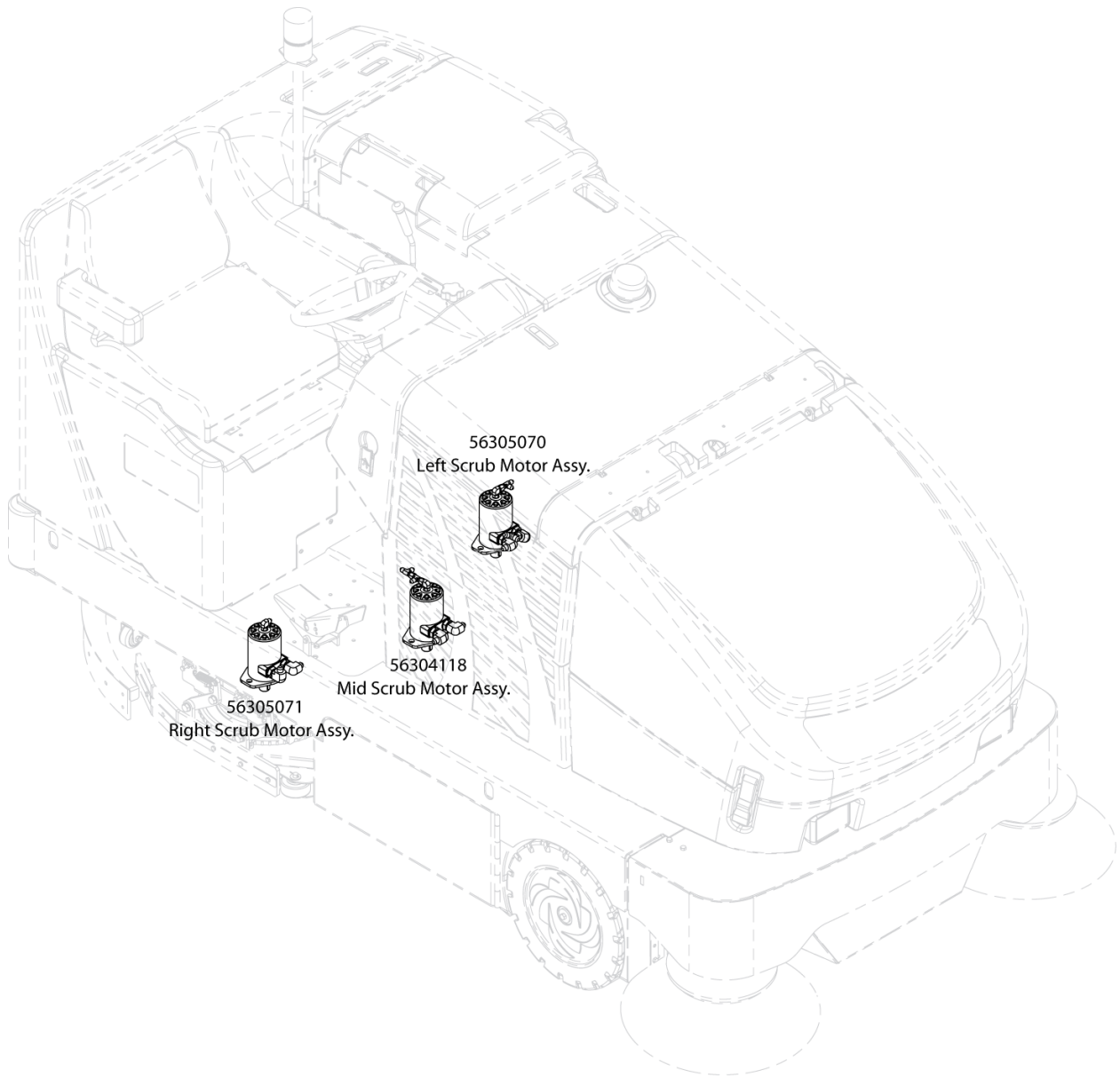
| Pos. | Artikel-Nr. | Menge | Variante | Notes |
|------|-------------|-------|---------------------------------|-------|
| 00 | 56305811 | 1 | RIGHT SCRUB MOTOR ASSEMBLY | |
| | 56304810 | | Dichtung SchmutzbehälterCR 1200 | |
| | 56305809 | | Motor, links f. CR1200 | |



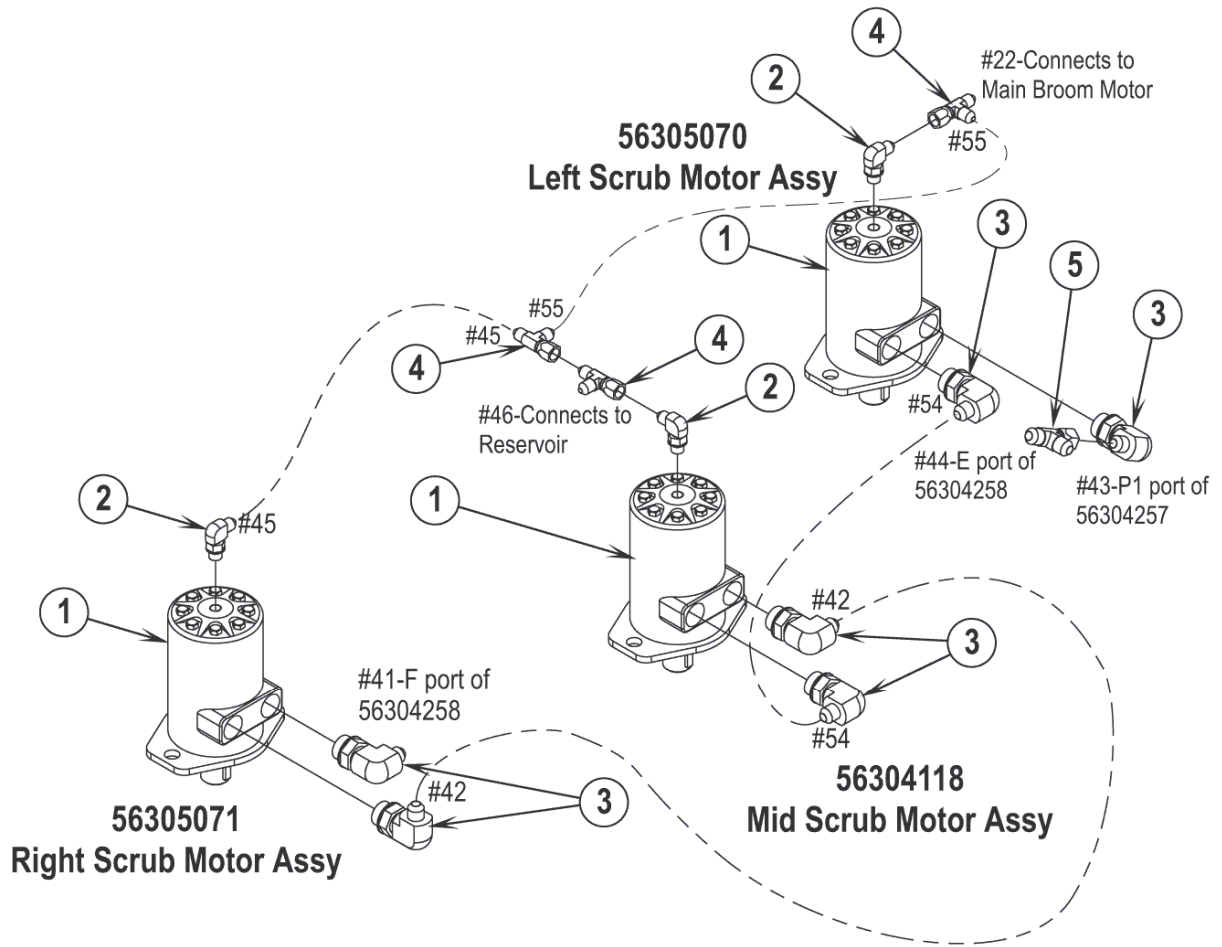
| Pos. | Artikel-Nr. | Menge | Variante | Notes |
|------|-------------|-------|----------------------------|-------|
| 00 | 56305357 | 1 | Dichtungs-Kit | [1] |
| 00 | 56305810 | 1 | Bürstenmotor, Mitte | |
| 00 | 56305811 | 1 | RIGHT SCRUB MOTOR ASSEMBLY | |
| 00 | 56305809 | 1 | Motor, links f. CR1200 | |
| 01 | 56900014 | 4 | Anschlussstück O/R-6-10 | |
| 02 | 56900101 | 2 | Bogen 90 Grad | |
| 03 | 56900113 | 2 | Winkelverschraubung | |
| 04 | 56304811 | 3 | Hydraulikmotor 4,5 | |
| 05 | 56900341 | 2 | T-Stück f. CR 1300 | |
| 06 | 56900343 | 1 | T-Stück | |
| 07 | 56900201 | 1 | TEE RUN O/R -4 E00005 | |
| 08 | 56900301 | 1 | ELBOW 90D W/NUT -4 E00007 | |

Part Notes:

[1] - Scrub Motor Replacement Parts (All motors) - Not shown



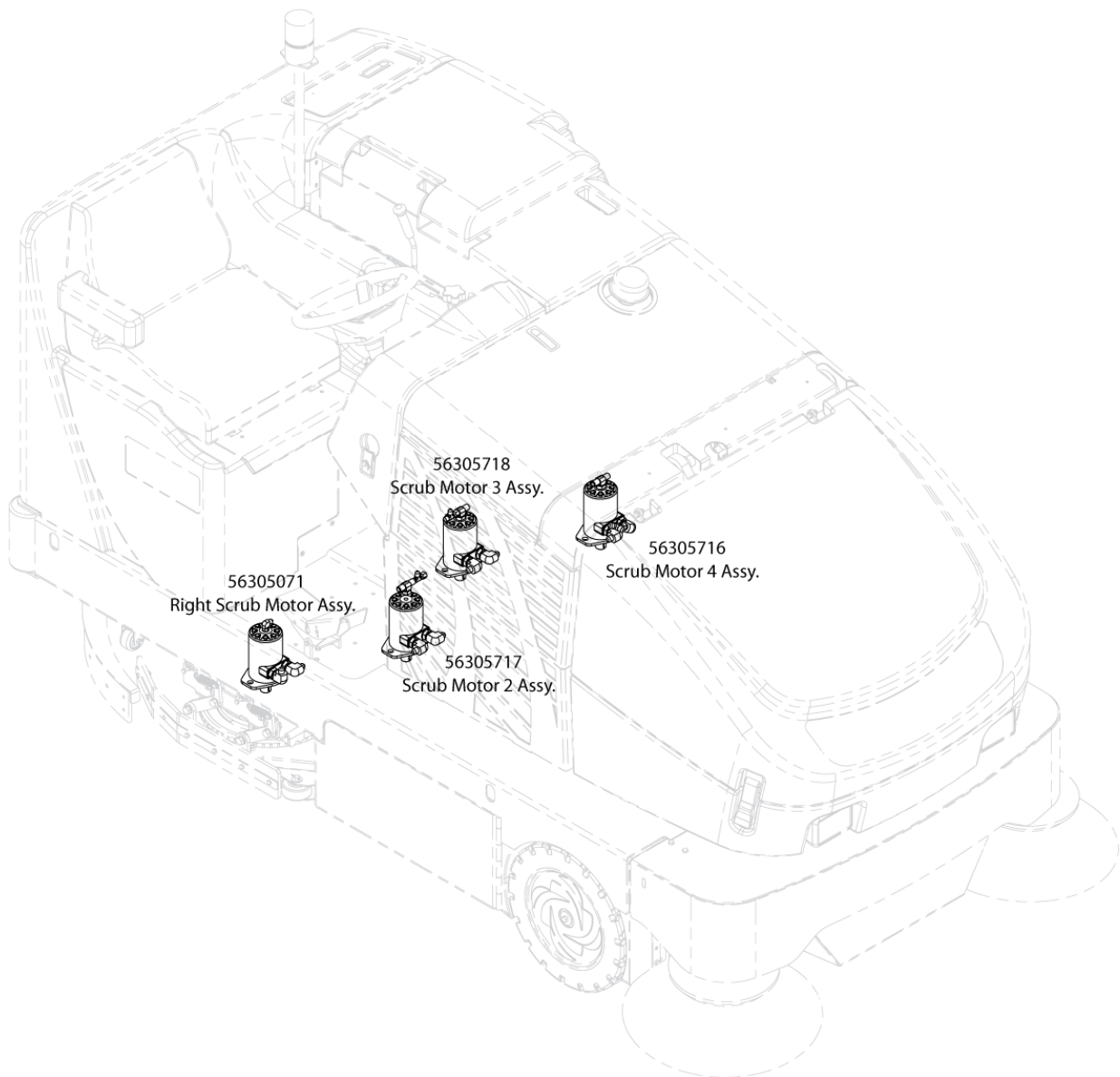
| Pos. | Artikel-Nr. | Menge | Variante | Notes |
|------|-------------|-------|----------------------|-------|
| 00 | 56305071 | 1 | Bürstenmotor, rechts | |
| | 56304118 | | Bürstenmotor, Mitte | |
| | 56305070 | | Bürstenmotor, links | |



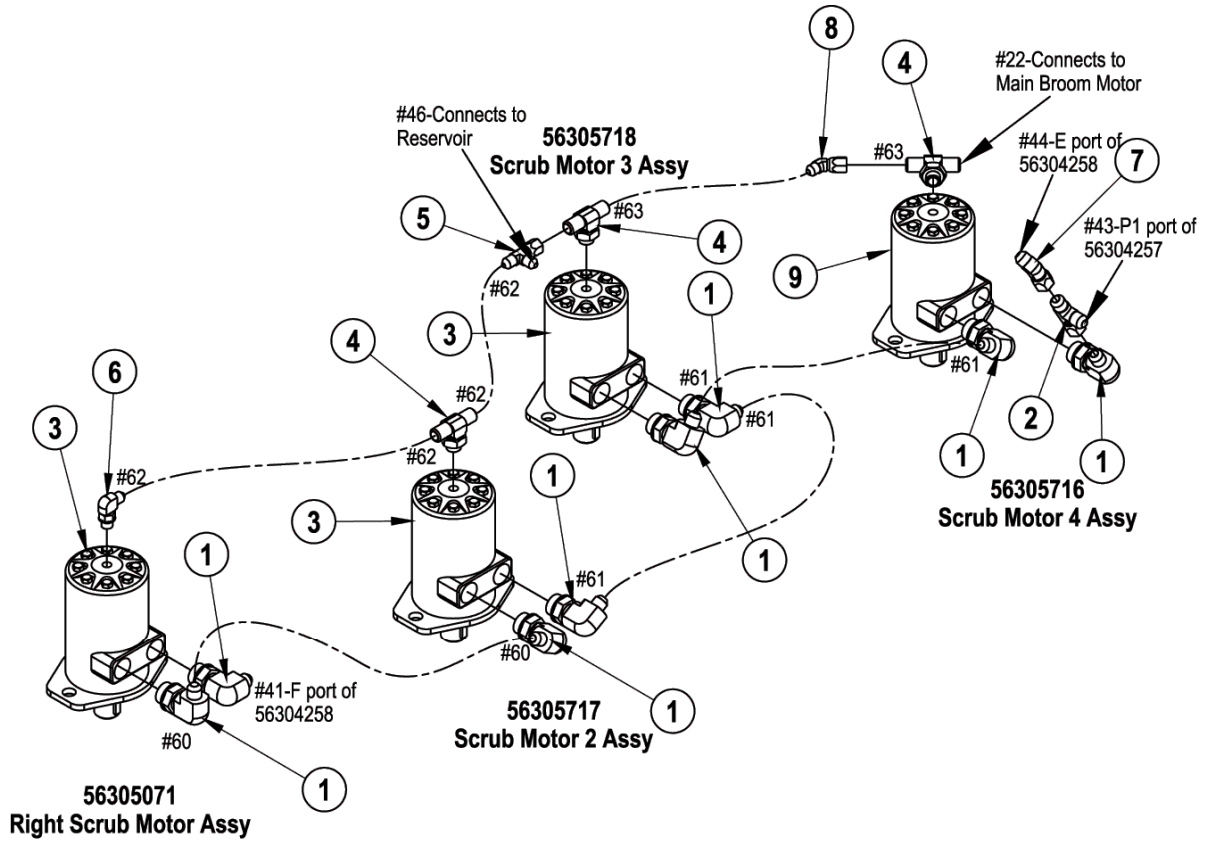
| Pos. | Artikel-Nr. | Menge | Variante | Notes |
|------|-------------|-------|----------------------|-------|
| | 56304118 | 1 | Bürstenmotor, Mitte | |
| | 56305071 | 1 | Bürstenmotor, rechts | |
| | 56305070 | 1 | Bürstenmotor, links | |
| 00 | 56305357 | 1 | Dichtungs-Kit | [1] |
| 01 | 56304811 | 3 | Hydraulikmotor 4,5 | |
| 02 | 56900101 | 3 | Bogen 90 Grad | |
| 03 | 56900113 | 6 | Winkelverschraubung | |
| 04 | 56900341 | 3 | T-Stück f. CR 1300 | |
| 05 | 56900343 | 1 | T-Stück | |

Part Notes:

[1] - Scrub Motor Replacement Parts (All motors) - Not shown



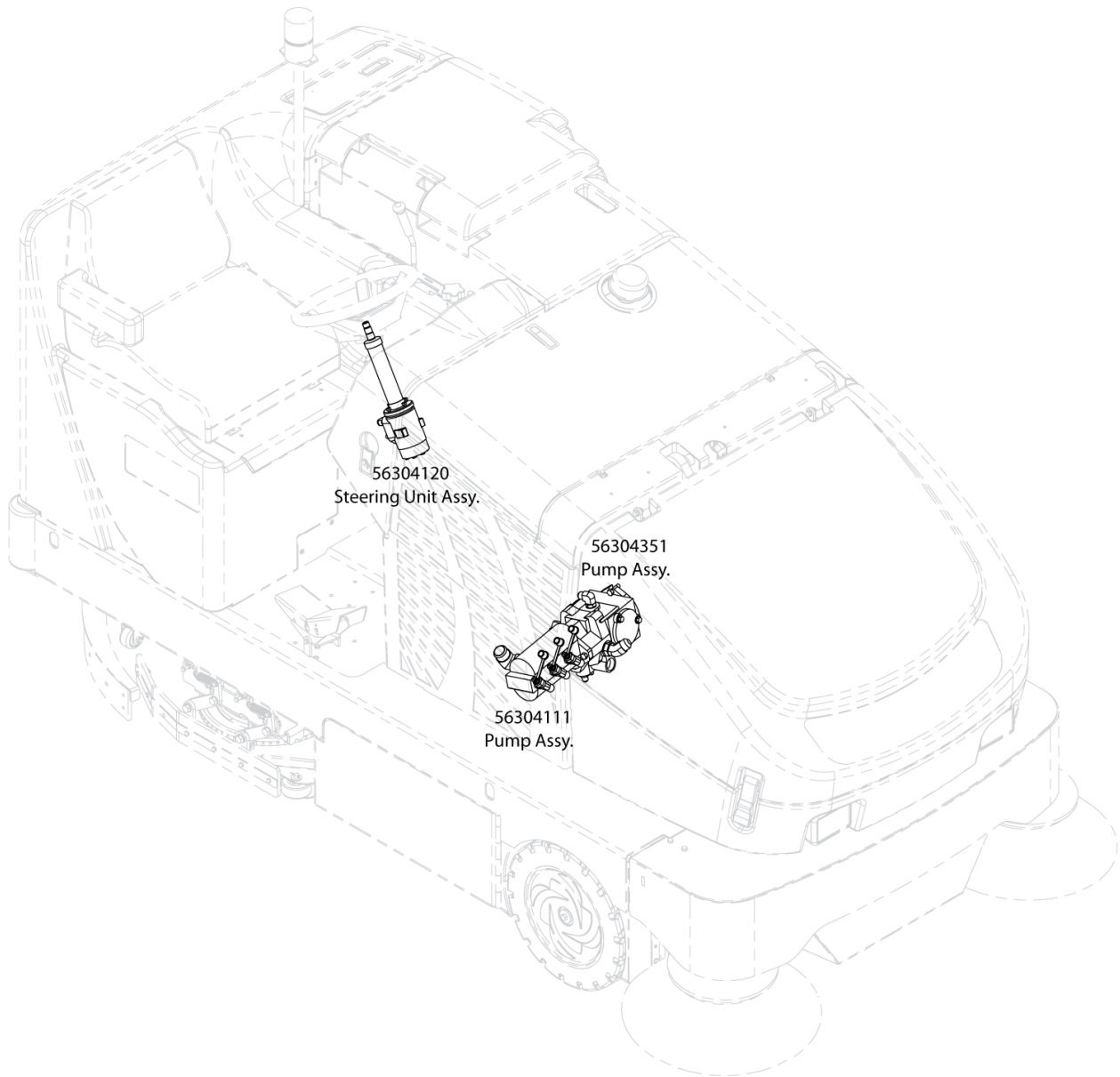
| Pos. | Artikel-Nr. | Menge | Variante | Notes |
|------|-------------|-------|------------------------|-------|
| 00 | 56305071 | 1 | Bürstenmotor, rechts | |
| | 56305716 | | SCRUB MOTOR 4 ASSEMBLY | |
| | 56305717 | | Bürstenmotor | |
| | 56305718 | | SCRUB MOTOR 3 ASSEMBLY | |



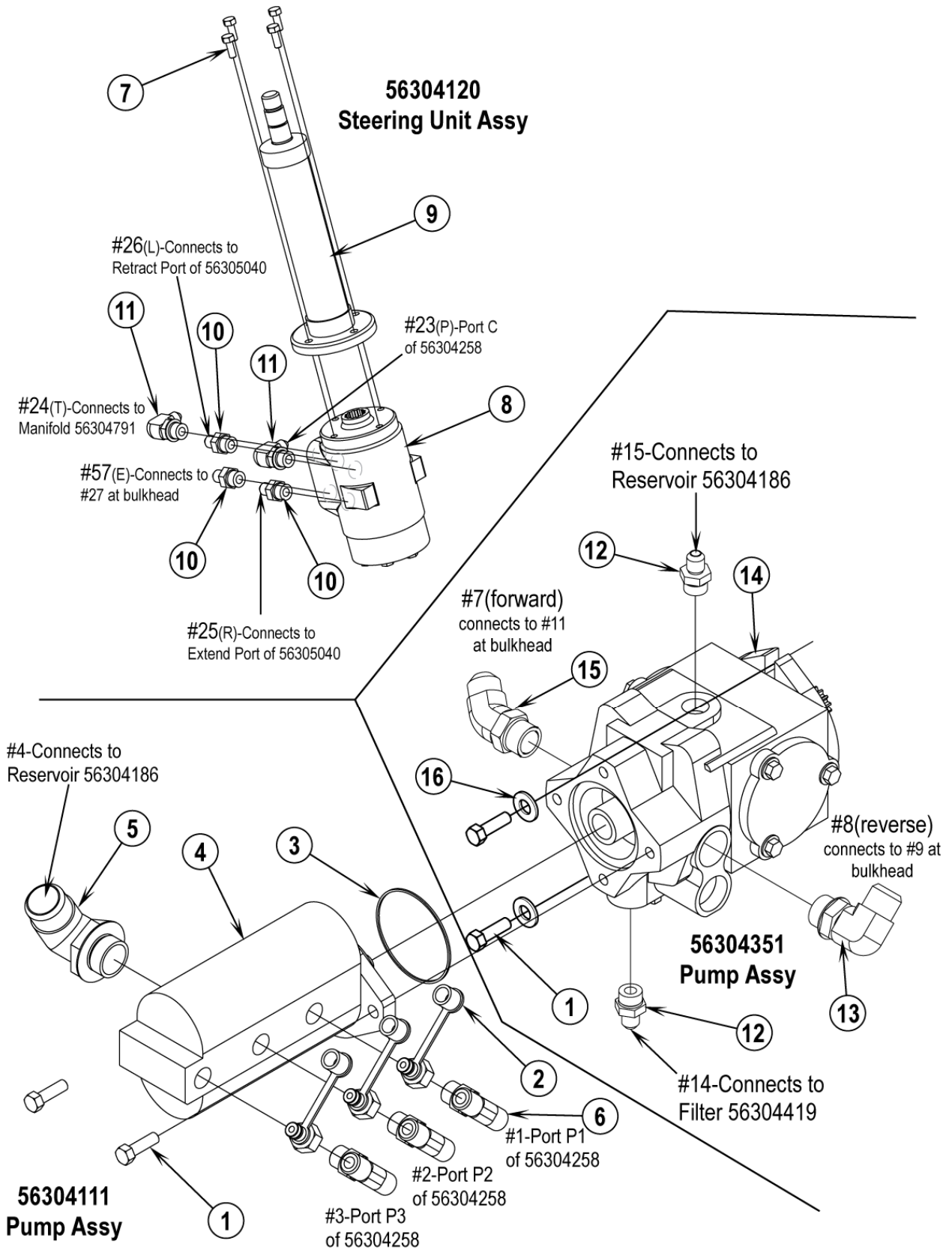
| Pos. | Artikel-Nr. | Menge | Variante | Notes |
|------|-------------|-------|----------------------------|-------|
| 00 | 56305716 | 1 | SCRUB MOTOR 4 ASSEMBLY | |
| 00 | 56305357 | 1 | Dichtungs-Kit | [1] |
| 00 | 56305717 | 1 | Bürstenmotor | |
| 00 | 56305071 | 1 | Bürstenmotor, rechts | |
| 00 | 56305718 | 1 | SCRUB MOTOR 3 ASSEMBLY | |
| 01 | 56900113 | 8 | Winkelverschraubung | |
| 02 | 56900343 | 1 | T-Stück | |
| 03 | 56304811 | 3 | Hydraulikmotor 4,5 | |
| 04 | 56900356 | 3 | TEE BRANCH O-RING EO0006 | |
| 05 | 56900341 | 1 | T-Stück f. CR 1300 | |
| 06 | 56900101 | 1 | Bogen 90 Grad | |
| 07 | 56900323 | 1 | ELBOW 90DEG W/NUT-6 E00008 | |
| 08 | 56900321 | 1 | ELBOW 45D W/NUT -4 E00008 | |
| 09 | 56305897 | 1 | Hydraulikmotor 4,5 | |

Part Notes:

[1] - Scrub Motor Replacement Parts (All motors) - Not shown



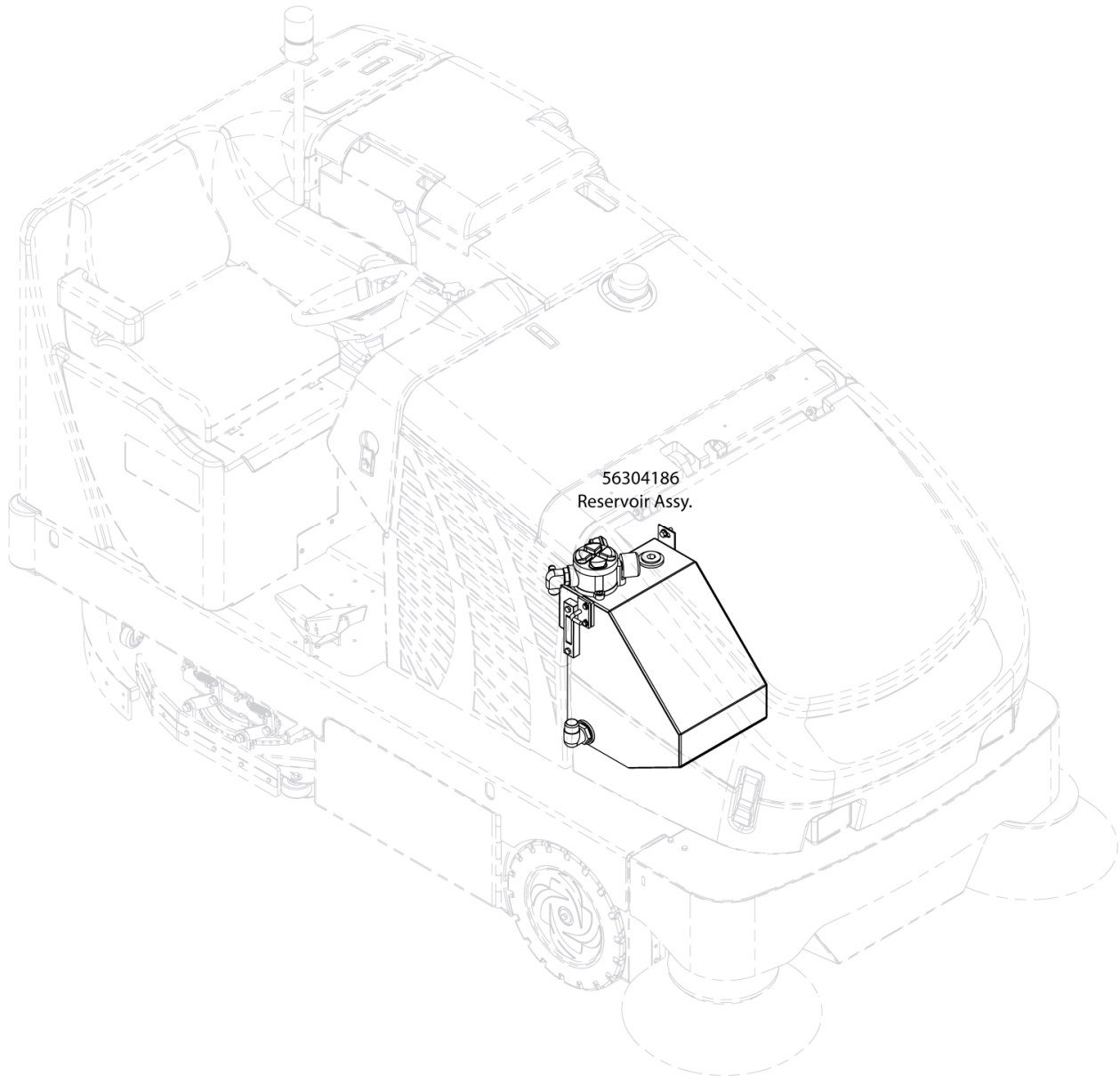
| Pos. | Artikel-Nr. | Menge | Variante | Notes |
|------|-------------|-------|----------------|-------|
| 00 | 56304120 | 1 | Lenksäule | |
| | 56304351 | | PUMP ASSEMBLY | |
| | 56304111 | | Pumpenaggregat | |



| Pos. | Artikel-Nr. | Menge | Variante | Notes |
|------|-------------|-------|-------------------------------|-------|
| 00 | 56304120 | 1 | Lenksäule | |
| 00 | 56419521 | 1 | Abdichtungskit | [1] |
| 00 | 56418987 | 1 | SEAL KIT TRIPLE PUMP | [2] |
| 00 | 56305360 | 1 | SEAL KIT | [3] |
| 00 | 56304111 | 1 | Pumpenaggregat | |
| 00 | 56304351 | 1 | PUMP ASSEMBLY | |
| 01 | 56003029 | 4 | Schraube 3/8-16 X1 | |
| 02 | 56418866 | 3 | COUPLING 8 TEST PORT | |
| 03 | 56488002 | 1 | O-Ring | |
| 04 | 56304113 | 1 | PUMP TRIPLE GEAR | |
| 05 | 56900352 | 1 | FITTING 90 DEGREE E00003 | |
| 06 | 56900254 | 3 | TEE BRANCH O/R -8 E00006 | |
| 07 | 56003174 | 4 | Schraube | |
| 08 | 56304121 | 1 | Lenkgetriebe | |
| 09 | 56304527 | 1 | STEERING COLUMN | |
| 10 | 56900011 | 3 | O-ring verbindung | |
| 11 | 56900110 | 2 | Winkel 90Grad f. CR 1300 | |
| 12 | 56900013 | 2 | CONNECTOR O/R -6-8 E00001 | |
| 13 | 56900106 | 1 | ELBOW 90DEG.O/R-12 | |
| 14 | 56304112 | 1 | Pumpe, Kolbe | |
| 15 | 56900156 | 1 | ELBOW 45 DEG.O/R W/NUT E00004 | |
| 16 | 56009106 | 2 | U-Scheibe FLT.453x1.000 | |

Part Notes:

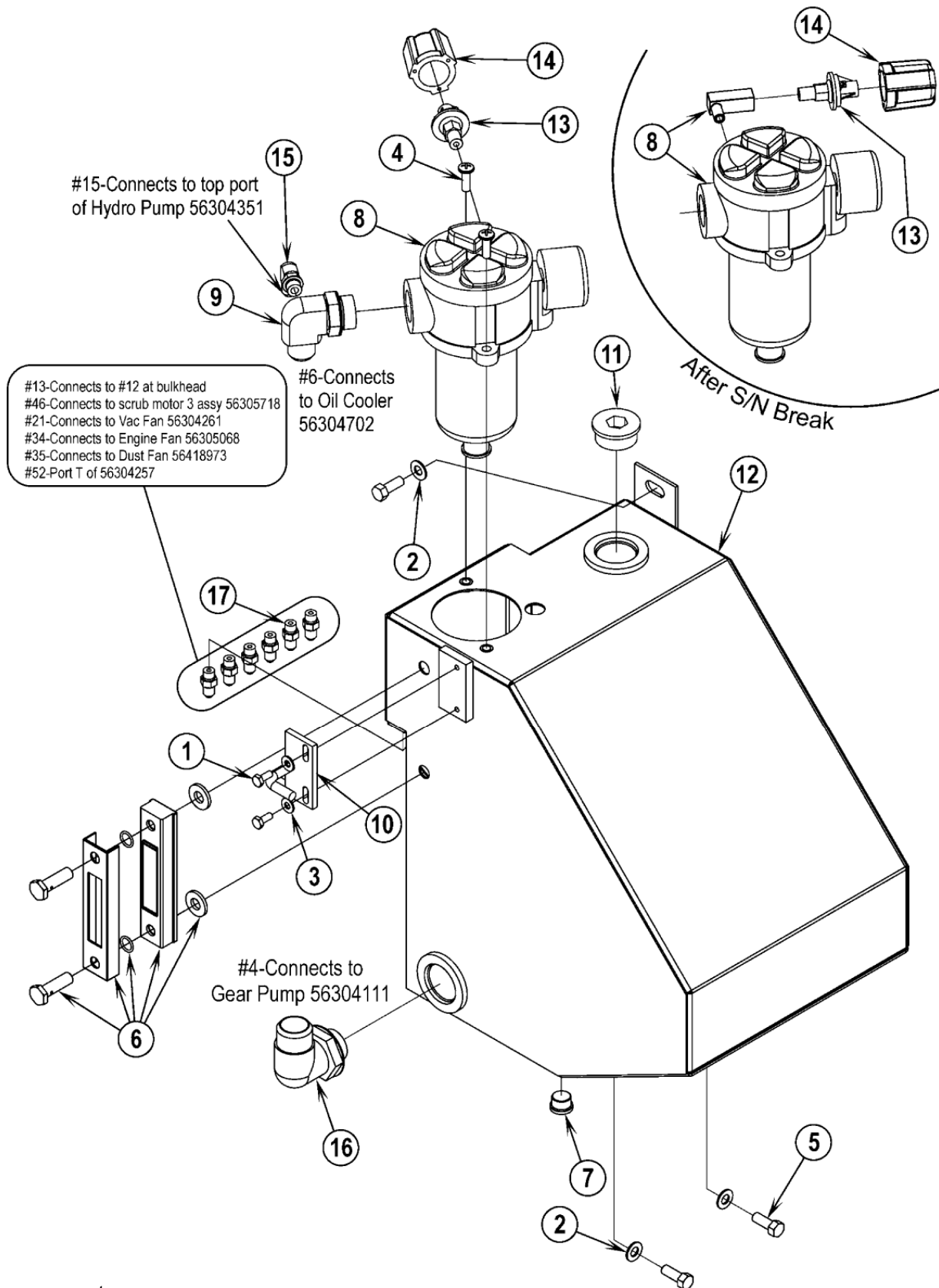
- [1] - Steering Control Unit Replacement Parts (56304121) units manufactured after January 2004 - not shown
- [2] - Gear Pump Assy Replacement Parts (56304111) - not shown
- [3] - Hydrostatic Pump Assy Replacement Parts (56304351) - not shown



| Pos. | Artikel-Nr. | Menge | Variante | Notes |
|------|-------------|-------|--------------------|-------|
| 00 | 56304186 | 1 | RESERVOIR ASSEMBLY | [1] |

Part Notes:

[1] - EXPIRED NO REPLACEMENT



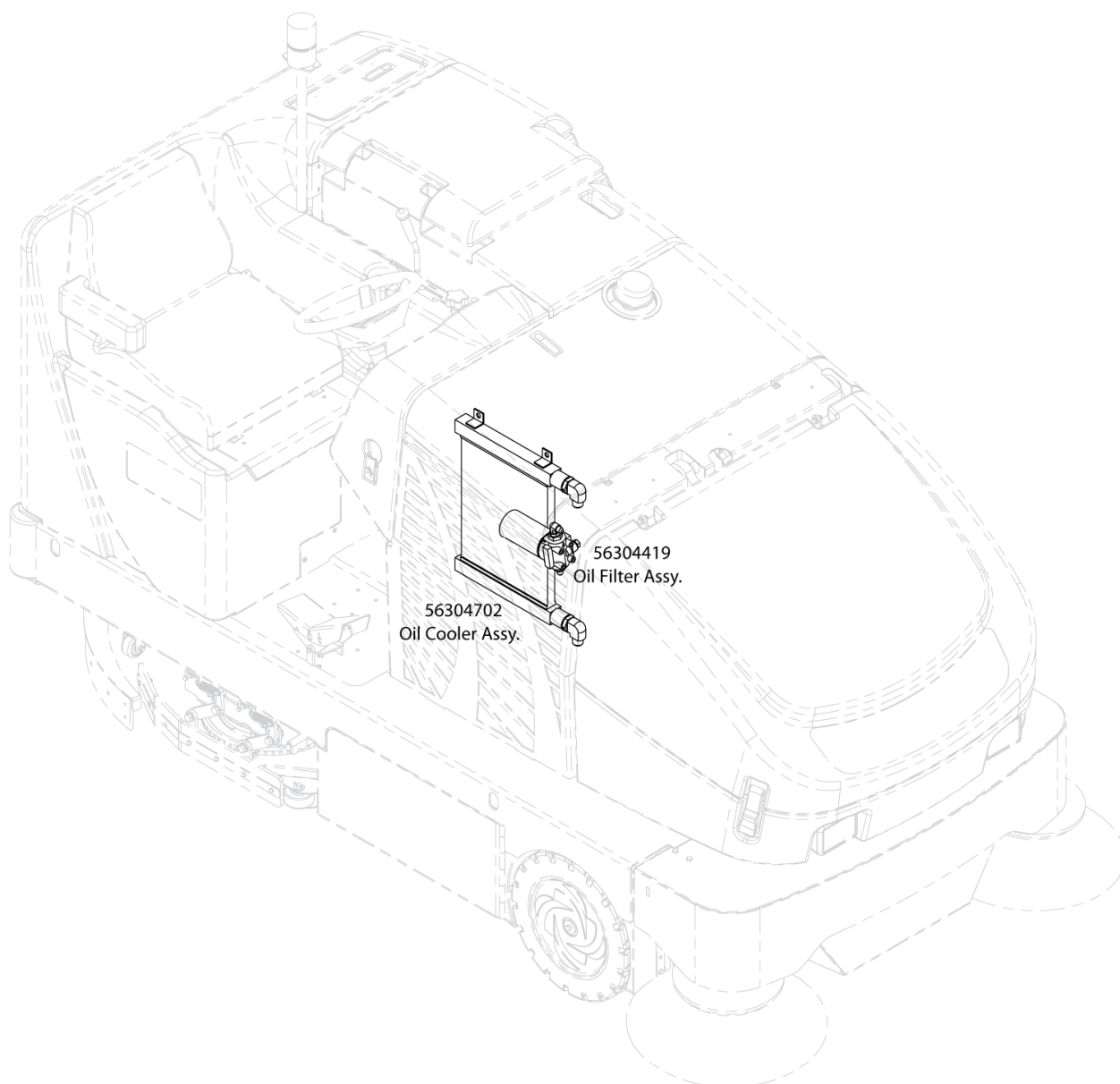
Resource notes:

NOTE 1: Item 56304878 is obsolete, order 56303654 for replacement.

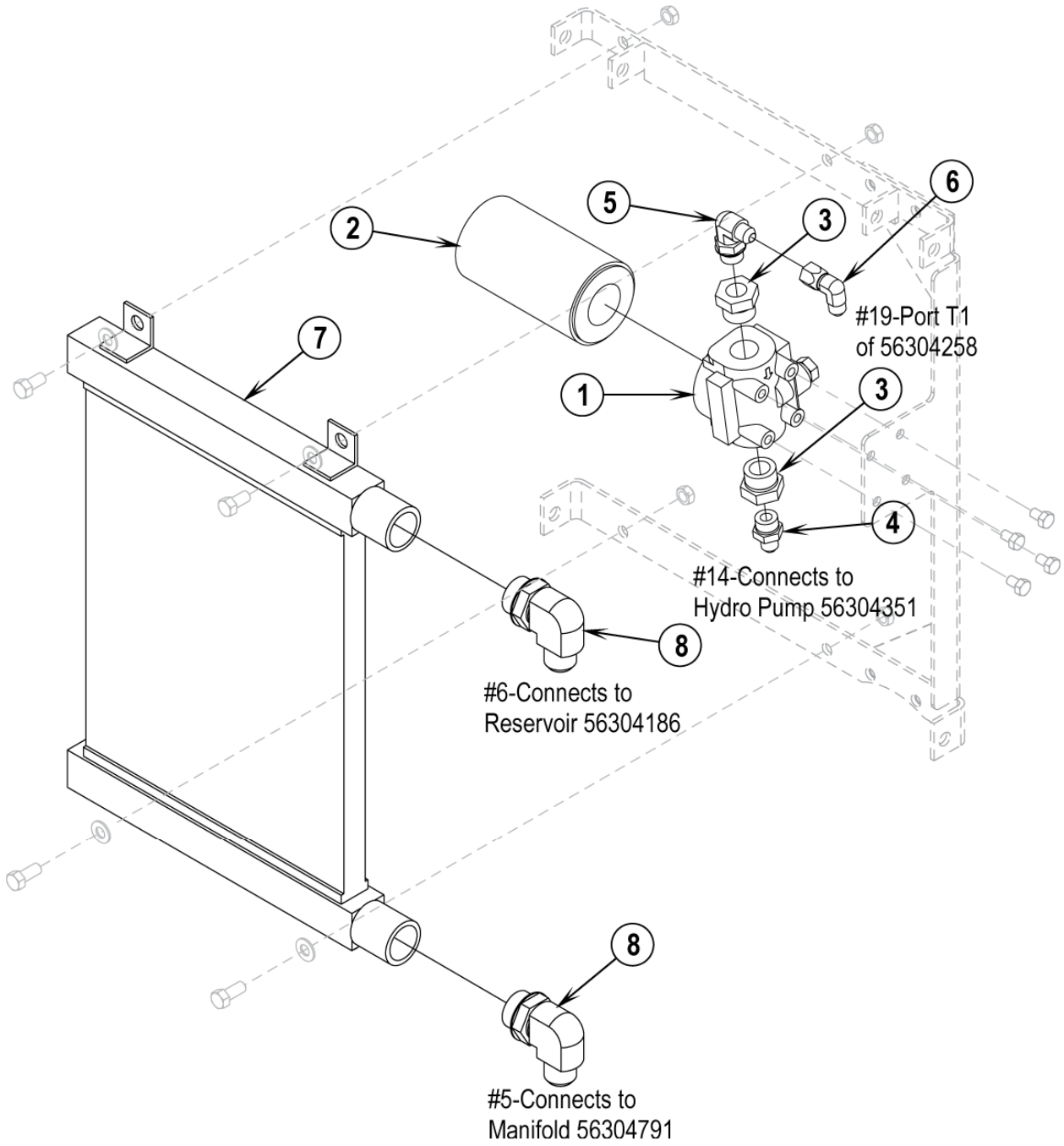
| Pos. | Artikel-Nr. | Menge | Variante | Notes |
|------|-------------|-------|------------------------------|-------|
| 00 | 56304186 | 1 | RESERVOIR ASSEMBLY | [1] |
| 01 | 56001836 | 2 | Schraube 1/4-20x0.62 | |
| 02 | 56002063 | 3 | "U-Scheibe 3/8"" | |
| 03 | 56002098 | 2 | Scheibe | |
| 04 | 56002943 | 2 | SCR PAN PHIL LOC 5/16-18 X 1 | [2] |
| 05 | 56002947 | 3 | SCR HEX HD LOC 3/8-18 X 1 | |
| 06 | 56459479 | 1 | Gauge level | |
| 07 | 56463403 | 1 | PLUG HEX O-RING E00594 | |
| 08 | 56305995 | 1 | Dichtsatz f. Ölfilter | |
| 08 | 56305064 | 1 | Abluftfilter | |
| 08 | 56305065 | 1 | Hydraulikölfilter retour | |
| 08 | 56303654 | 1 | Ölfilter | [3] |
| 09 | 56305066 | 1 | ELBOW 90 O-RING | |
| 10 | 56305095 | 1 | LATCH WELDMENT | |
| 11 | 56305228 | 1 | PLUG HEX SOC O RING E00594 | |
| 12 | 56305468 | 1 | RESERVOIR WELDMENT | |
| 13 | 56418994 | 1 | Öldruckschalter | [4] |
| 14 | 56419241 | 1 | Abdeckung f.Druckschalter | |
| 15 | 56900103 | 1 | ELBOW 90 DEG 0/R-6 | |
| 16 | 56900352 | 1 | FITTING 90 DEGREE E00003 | |
| 17 | 56900001 | 6 | O-ring verbindung | |

Part Notes:

- [1] - EXPIRED NO REPLACEMENT
- [2] - NO LONGER AVAILABLE
- [3] - after SN 1948920 - NOTE 1
- [4] - S6



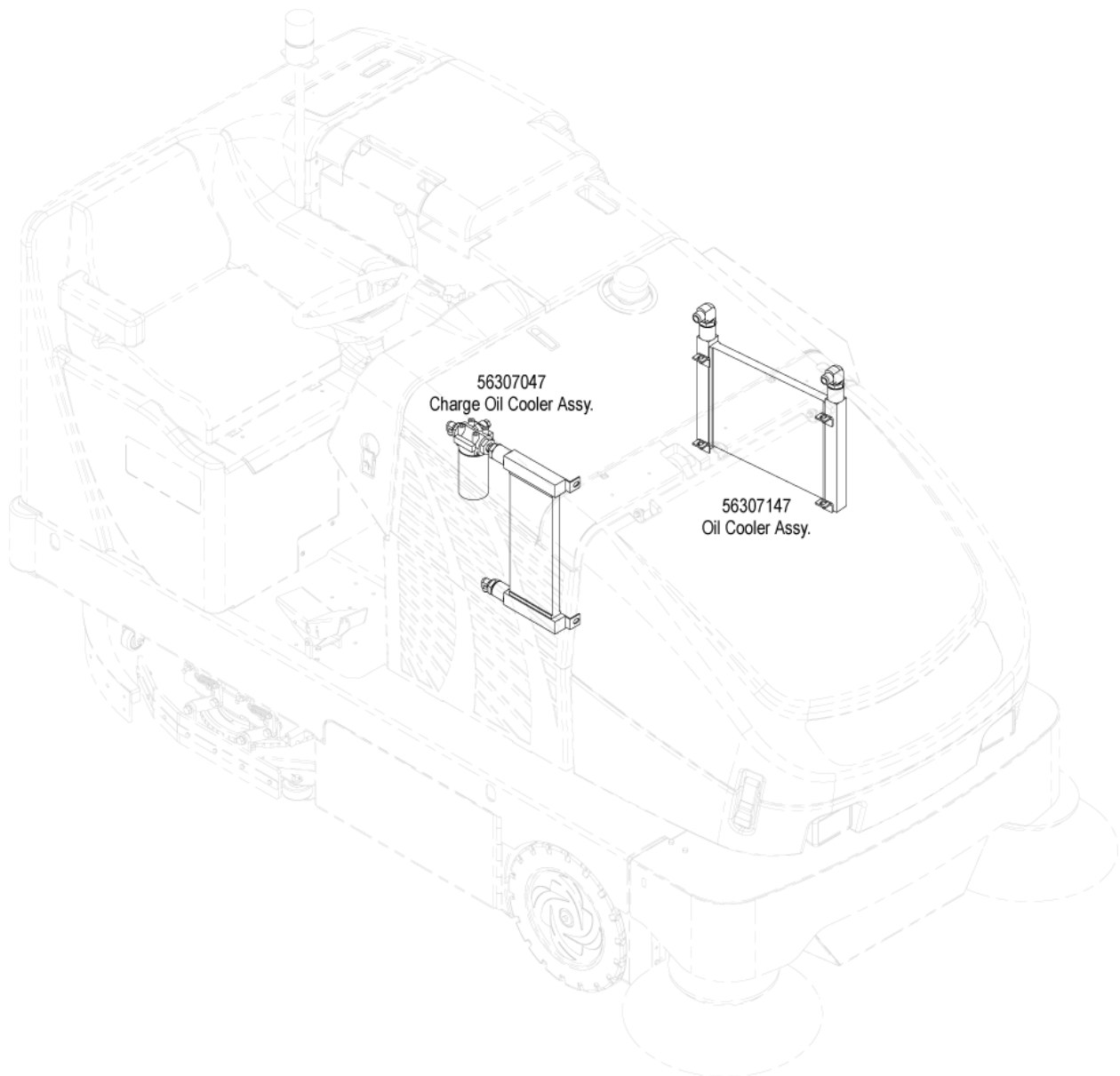
| Pos. | Artikel-Nr. | Menge | Variante | Notes |
|------|-------------|-------|---------------------|-------|
| 00 | 56304702 | 1 | OIL COOLER ASSEMBLY | |
| | 56304419 | | Oelfilter-Kit | |



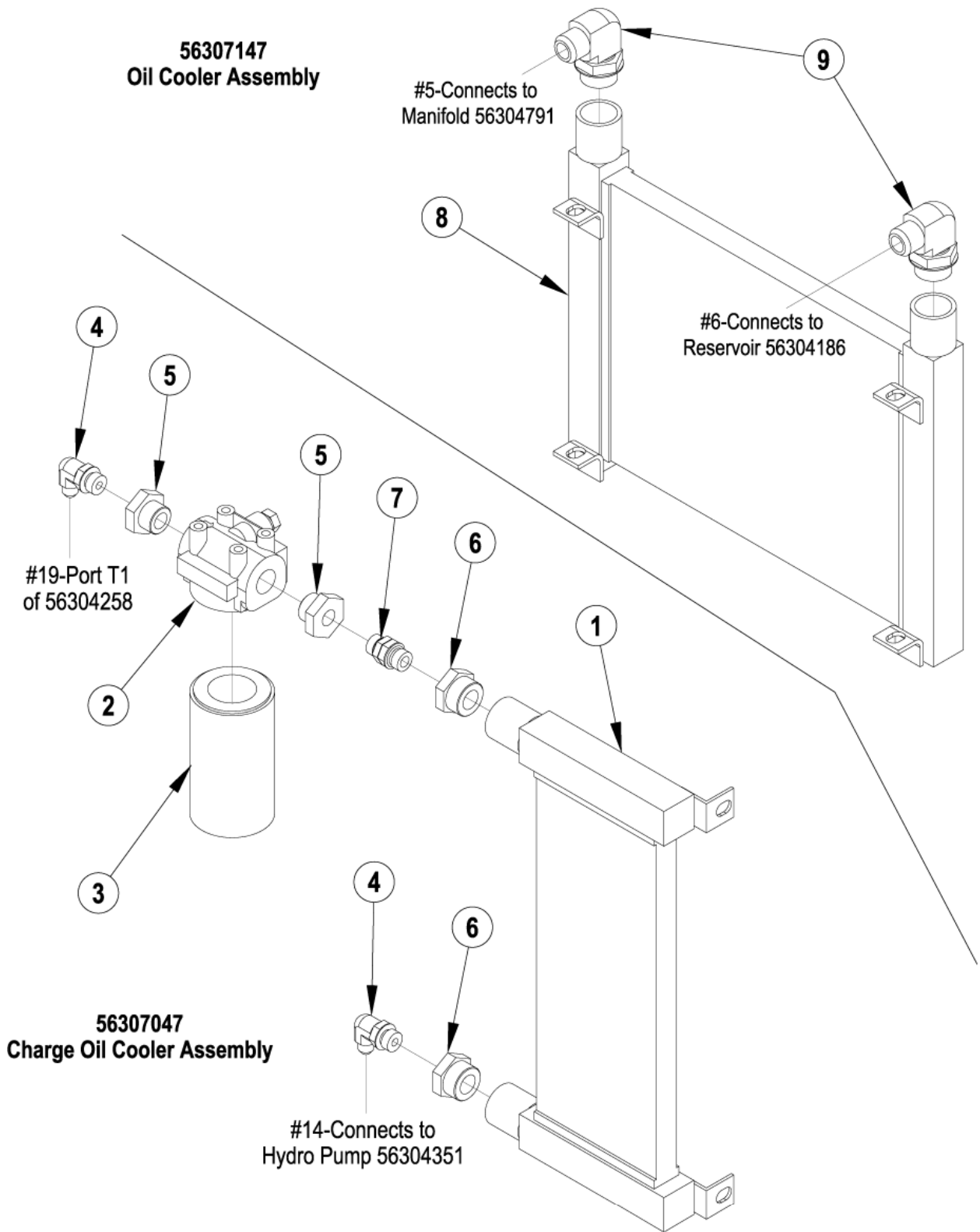
| Pos. | Artikel-Nr. | Menge | Variante | Notes |
|------|-------------|-------|-------------------------------|-------|
| 00 | 56304702 | 1 | OIL COOLER ASSEMBLY | [1] |
| 00 | 56304419 | 1 | Oelfilter-Kit | [2] |
| 01 | 56419253 | 1 | HEAD OIL FILTER | |
| 02 | 56419254 | 1 | FILTER HYDRAULIK ÖL | |
| 03 | 56900604 | 2 | REDUCER W/O -12-08 E00026 | |
| 04 | 56900013 | 1 | CONNECTOR O/R -6-8 E00001 | |
| 05 | 56900112 | 1 | ELBOW 90DEG.O/R-6-8 E00003 | |
| 06 | 56900303 | 1 | ELBOW 90D W/NUT 6C6X-S E00007 | |
| 07 | 56463678 | 1 | Kühler, Öl | |
| 08 | 56900117 | 2 | ELBOW 90D O/R-12-16 | |

Part Notes:

- [1] - Pos 7-8
[2] - Pos 1-6



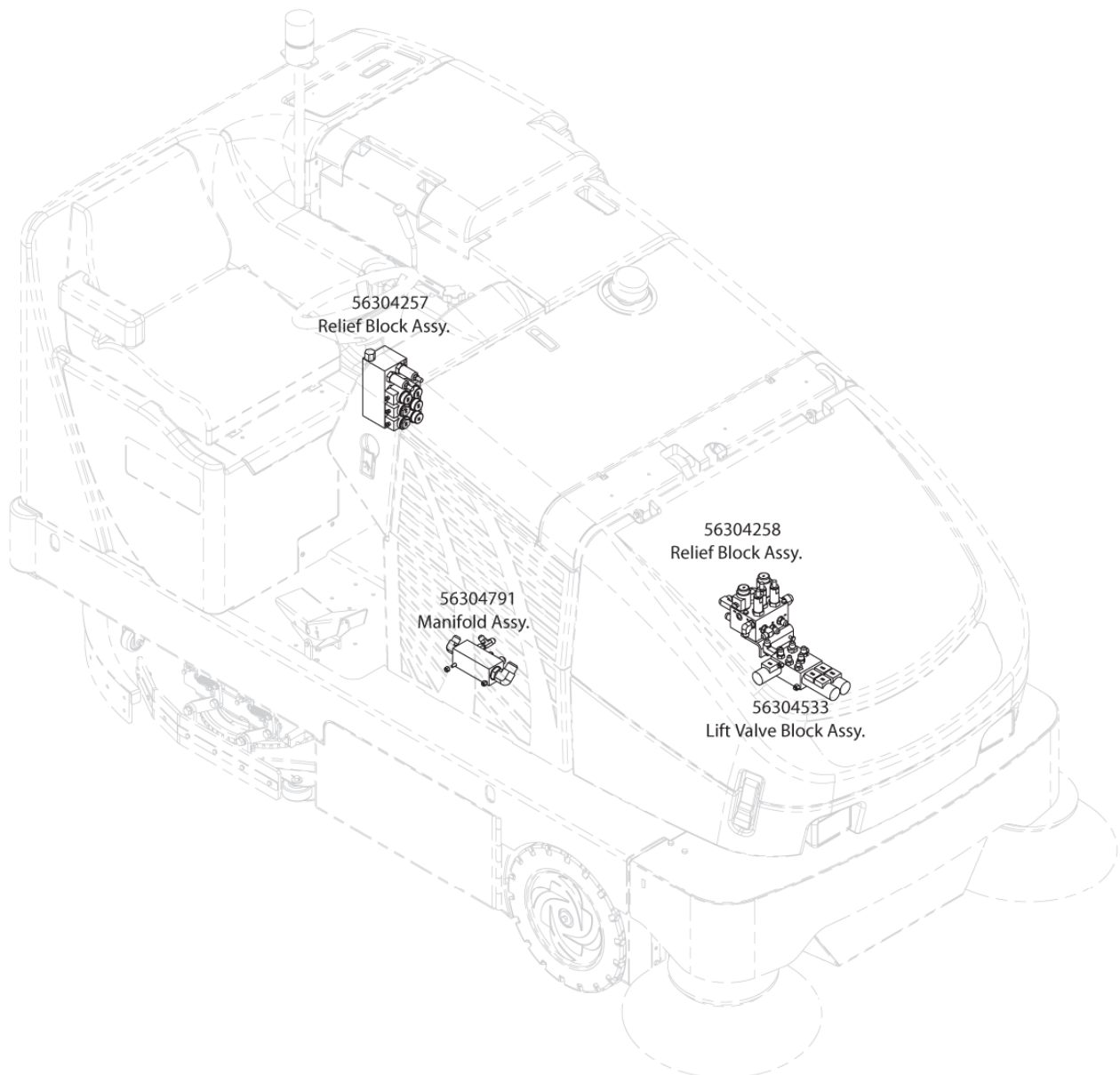
| Pos. | Artikel-Nr. | Menge | Variante | Notes |
|------|-------------|-------|----------------------------|-------|
| 00 | 56307047 | 1 | CHARGE OIL COOLER ASSEMBLY | |
| | 56307147 | | OIL COOLER ASSEMBLY | |



| Pos. | Artikel-Nr. | Menge | Variante | Notes |
|------|-------------|-------|----------------------------|-------|
| | 56307047 | 1 | CHARGE OIL COOLER ASSEMBLY | [1] |
| | 56307147 | 1 | OIL COOLER ASSEMBLY | [2] |
| 01 | 56307048 | 1 | CHARGE OIL COOLER | |
| 02 | 56419253 | 1 | HEAD OIL FILTER | |
| 03 | 56419254 | 1 | FILTER HYDRAULIK ÖL | |
| 04 | 56900112 | 2 | ELBOW 90DEG.O/R-6-8 E00003 | |
| 05 | 56900604 | 2 | REDUCER W/O -12-08 E00026 | |
| 06 | 56900606 | 2 | REDUCER W/O RING E00026 | |
| 07 | 56900924 | 1 | UNION STRAIGHT THREAD | |
| 08 | 56418953 | 1 | COOLER OIL | |
| 09 | 56900117 | 2 | ELBOW 90D O/R-12-16 | |

Part Notes:

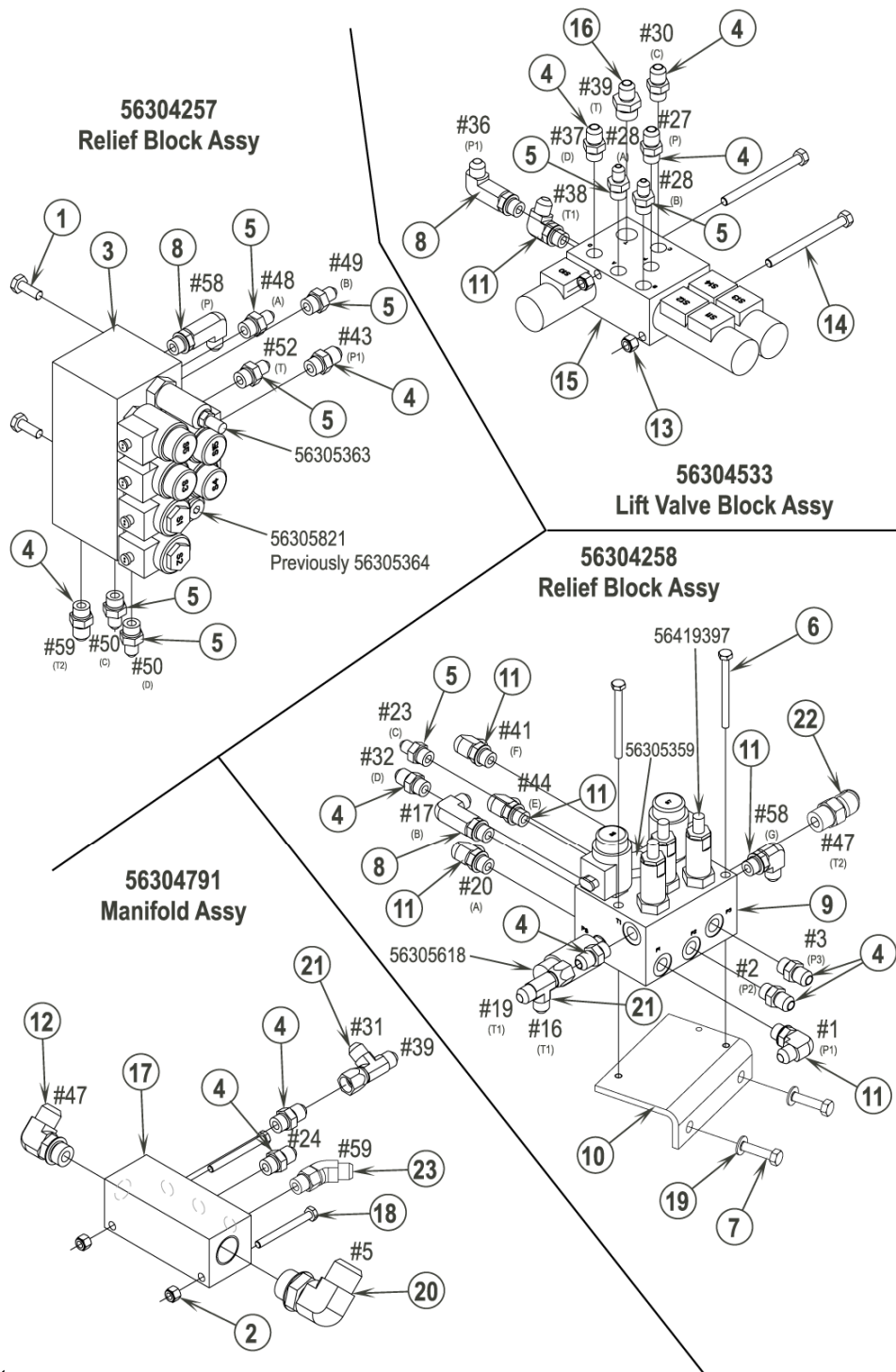
- [1] - (ITEMS 1-7 / HT MODELS ONLY)
- [2] - (ITEMS 8-9 / HT MODELS ONLY)



| Pos. | Artikel-Nr. | Menge | Variante | Notes |
|------|-------------|-------|-------------------|-------|
| 00 | 56304257 | 1 | Magnetventilblock | |
| | 56304791 | | MANIFOLD ASSEMBLY | |
| | 56304258 | | Montageblock | [1] |
| | 56304533 | | Ventilblock | |

Part Notes:

[1] - SEE PI 2017-002



Resource notes:

Pos. 30-33 - Relief Block Assy Replacement Parts (56304257) Pos. 40-52 - This cartridge replaces previous cartridge 56305364. It is a direct replacement Pos. 60-64 - Lift Valve Block Assy Replacement Parts (56304533) Pos. 70-77 - Relief Block Assy Replacement Parts (56304258)

| Pos. | Artikel-Nr. | Menge | Variante | Notes |
|------|-------------|-------|------------------------------|-------|
| | 56304257 | 1 | Magnetventilblock | |
| | 56304533 | 1 | Ventilblock | |
| | 56304258 | 1 | Montageblock | [1] |
| | 56304791 | 1 | MANIFOLD ASSEMBLY | |
| 01 | 56002037 | 2 | SCR HEX 5/16-18 X .88 | |
| 02 | 56002708 | 2 | Stopmutter 1/4-20 | |
| 03 | 56305496 | 1 | Ventilblock | |
| 04 | 56900003 | 11 | O-ring verbindung | |
| 05 | 56900011 | 8 | O-ring verbindung | |
| 06 | 56002603 | 2 | Schraube 1/4-20x3 | |
| 07 | 56003321 | 2 | SCR HEX LOC 5/16-18 X 1.25 | |
| 08 | 56900523 | 3 | ELBOW 90 LG O-RING -6 E00017 | |
| 09 | 56305427 | 1 | BLOCK RELIEF | [1] |
| 10 | 56306039 | 1 | RELIEF BLOCK BRACKET | |
| 11 | 56900103 | 6 | ELBOW 90 DEG O/R-6 | |
| 12 | 56900104 | 1 | Bogen 90 Grad | |
| 13 | 56002701 | 2 | MUTTER 5-16-18 HEX JAM | |
| 14 | 56003325 | 2 | SCR HEX HD 5/16-18 X 3.75 | |
| 15 | 56304532 | 1 | VALVE BLOCK LIFT | |
| 16 | 56900013 | 1 | CONNECTOR O/R -6-8 E00001 | |
| 17 | 56418998 | 1 | MANIFOLD HYDRAULIC | |
| 18 | 56001855 | 2 | SCR HEX 1/4-20 X 2.50 | |
| 19 | 56001939 | 2 | Flachdichtung 5/16 | |
| 20 | 56900106 | 1 | ELBOW 90DEG.O/R-12 | |
| 21 | 56900343 | 2 | T-Stück | |
| 22 | 56900104 | 1 | Bogen 90 Grad | |
| 23 | 56900153 | 1 | ELBOW 45 DEG.O/R -6 E00004 | |
| 30 | 56304154 | 1 | Magnetspule | |
| 31 | 56305363 | 1 | REDUCER CARTRIDGE 150 PSI | |
| 32 | 56305349 | 1 | SEAL KIT | |
| 33 | 56305821 | 1 | Steckmodul | |
| 40 | 56305822 | 1 | Dichtungssatz | [2] |
| 41 | 56305366 | 1 | CARTRIDGE | |
| 42 | 56305367 | 1 | CARTRIDGE | |
| 43 | 56305368 | 1 | CARTRIDGE | |
| 44 | 56305369 | 1 | Steckerventil | |
| 45 | 56305351 | 1 | CARTRIDGE | |
| 46 | 56305821 | 1 | Steckmodul | |
| 47 | 56305349 | 1 | SEAL KIT | |
| 48 | 56305355 | 1 | Dichtungssatz | |
| 49 | 56305365 | 1 | PORT CHECK CARTRIDGE | |
| 50 | 56305349 | 1 | SEAL KIT | |
| 51 | 56305370 | 1 | CHECK VALVE CARTRIDGE | |
| 52 | 56305821 | 1 | Steckmodul | |
| 60 | 56304154 | 1 | Magnetspule | |
| 61 | 56305350 | 2 | CARTRIDGE DOUBLE | |
| 62 | 56305351 | 1 | CARTRIDGE | |
| 63 | 56305348 | 2 | SEAL KIT DOUBLE | |
| 64 | 56305349 | 1 | SEAL KIT | |
| 70 | 56305821 | 1 | Steckmodul | |
| 71 | 56305349 | 1 | SEAL KIT | |
| 72 | 56305353 | 1 | SEAL KIT | |
| 73 | 56419397 | 1 | RELIEF VALVE CARTRIDGE | |
| 74 | 56305531 | 1 | CARTRIDGE | |
| 75 | 56305359 | 1 | DIVIDER CARTRIDGE | |
| 76 | 56304154 | 1 | Magnetspule | |
| 77 | 56305618 | 1 | Druckschalter | [3] |

Part Notes:

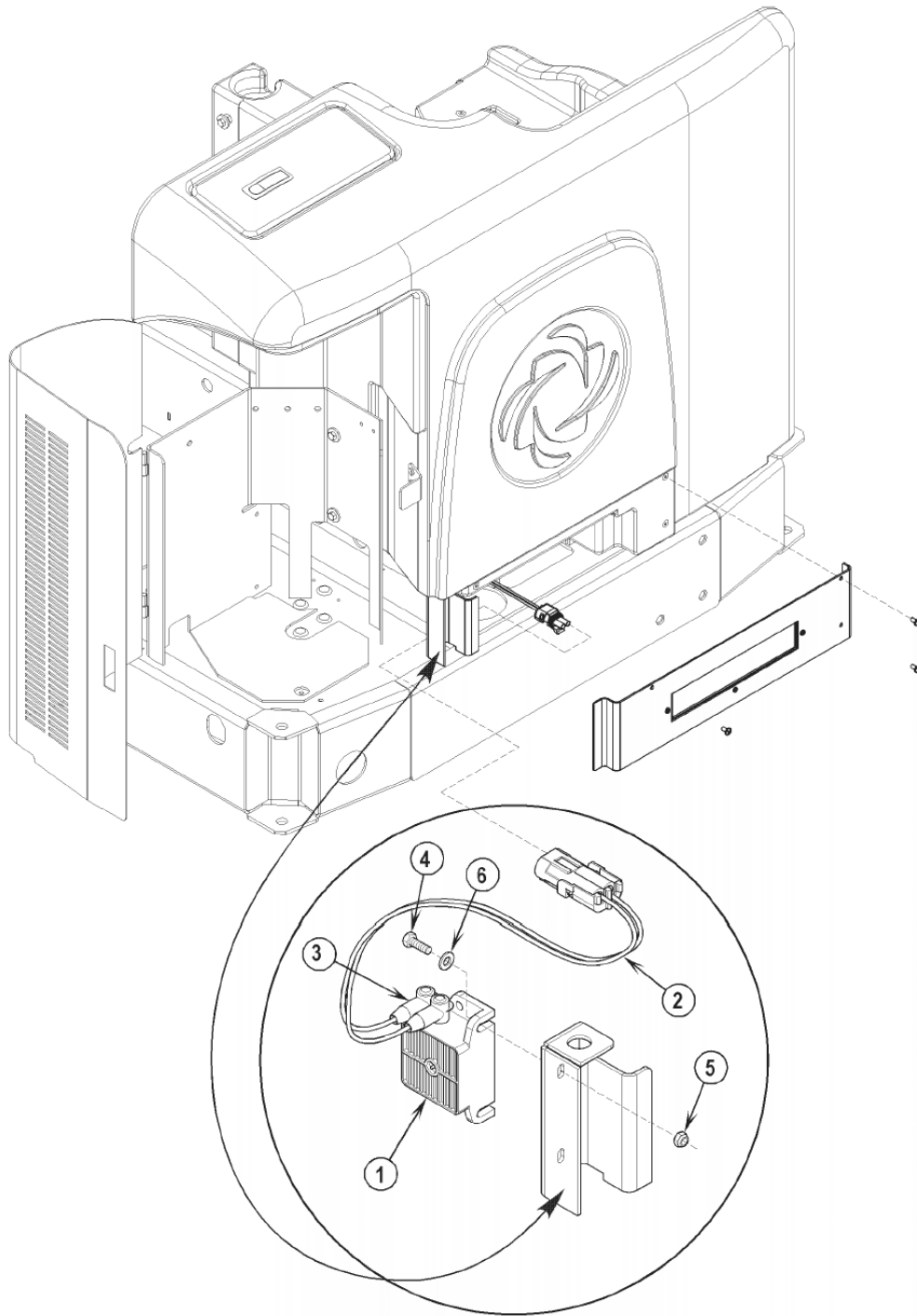
- [1] - SEE PI 2017-002
- [2] - For Relief Cartridge 56305821, WILL NOT work in old Relief Cartridge 56305364
- [3] - S4

| Part Number | Kit Name | For use on: Engine and Battery CR 1100, 1200 & 1400 | For use on: Haram Captor | For use on: Engine CR 1100, 1200 & 1400 only | For use on: Battery CR 1100B & 1200B only | Page |
|-------------|---|--|--------------------------------|--|---|-----------|
| 56305482 | Beacon Kit* | X | | | | 5 |
| 56305881 | Beacon Kit (60 Gallon)* | X | | | | 7 |
| 56305652 | Both Side Broom Guard Kit | X | | | | 9 |
| 56305494 | Broom Guard Kit, Left | X | | | | 9 |
| 56305495 | Broom Guard Kit, Right | X | | | | 9 |
| 56303572 | Cleanout Kit (recovery tank) | X | X | | | 13 |
| 56305641 | Curb Light Kit | X | X | | | 15 |
| 56304025 | High Durability Drive Tire | X | | | | 21 |
| #56380444 | High Durability Drive Tire, Urethane | X | | | | 21 |
| 56305517 | Hopper Filter Switch Kit (Plugged) | X | X | | | 23 |
| 56305637 | Low Clearance Overhead Guard Kit | X | | | | 25 |
| 56303573 | Overhead Guard Kit | X | * | | | 25 |
| 56303579 | OH Guard Beacon kit | X | * | | | 25 |
| 56305794 | Pre-Filter Grid Kit | X | X | | | 27 |
| 56307221 | Recovery Inlet Seal Kit | X | X | | | 29 |
| 56109306 | Seat Belt Kit | X | X | | | 31 |
| 56305585 | Solution Fill Shutoff Kit (obsolete) | X | | | | 33 |
| 56305896 | Solution Fill Shutoff Kit | X | X | | | 35 |
| 56305820 | Solution Fill Shutoff Kit (60 Gallon)** | X | | | | 35 |
| 56305509 | Temp Switch Kit | X | X | | | 23 |
| 56305493 | Tower Bumper Kit | X | | | | 37 |
| 56305530 | Vacuum Wand Kit | X | X | | | 41 |
| 56305519 | Back-Up Alarm Kit* | | | X | | 3 |
| 56305643 | Camera Kit | | X | X | | 11 |
| 56305647 | Controller Interface Kit | | X | X | | Not Shown |
| 56305621 | Fire Extinguisher Kit | | X | X | | 17 |
| 56304044 | High Durability Rear Wheel Assy | | | X | | 21 |
| #56306207 | High Durability Rear Wheel Assy | | | X | | 21 |
| 56305997 | Rear Wheel Assy, 3x Groove 6 | | | X | | 21 |
| 56305611 | Deluxe Seat Kit | | | X | | 30 |
| 56303381 | Deluxe Seat Kit w/Switch | | | | X | 30 |
| 56305628 | Under-Hood Light Kit | | X | X | | 39 |
| 56303355 | Back-Up Alarm* | | | | X | 3 |
| 56303431 | Fire Extinguisher Kit | | | | X | 19 |
| 56303028 | High Durability Rear Wheel Assy | | | | X | 21 |
| #56303595 | High Durability Rear Wheel Assy | | | | X | 21 |
| 56303560 | Rear Wheel Assy, 3x Groove 6 | | | | X | 21 |
| 56303362 | Trouble Lamp Kit | | | | X | 39 |
| 56306138 | Chemical Injection Kit - 12VDC | | | X | | 43, 45 |
| 56306145 | Chemical Injection Kit - 36VDC | | | | X | 47, 49 |

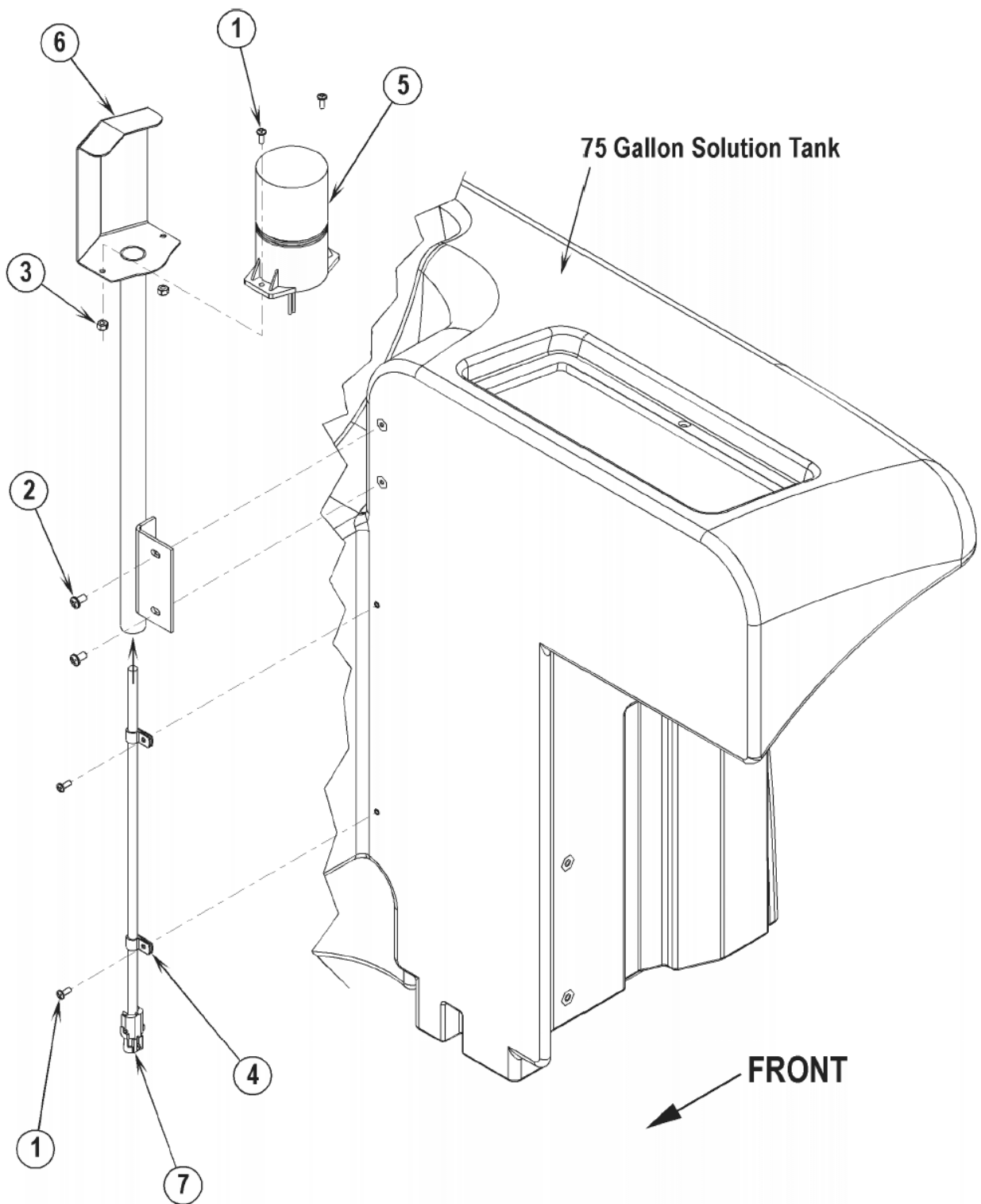
| Pos. | Artikel-Nr. | Menge | Variante | Notes |
|------|-------------|-------|---|-------|
| 01 | 56305482 | 1 | Warnleuchte | |
| 02 | 56305881 | 1 | BEACON KIT 60 | |
| 03 | 56305652 | 1 | Stoss-Schutz Seitenbesen, re./li. | |
| 04 | 56305494 | 1 | Schutz f. Setenbesen li. | |
| 05 | 56305495 | 1 | Anfahrerschutz Seitenbesen, rechts | |
| 06 | 56303572 | 1 | Revisionsklappe | [1] |
| 07 | 56305641 | 1 | Randsteinlicht | |
| 08 | 56304025 | 1 | Vollgummirad 16,25x6 | |
| 09 | 56380444 | 1 | Rad CR 1200 | |
| 10 | 56305517 | 1 | Steuerungsset f. Filter-Kehrgutbehälter | |
| 11 | 56305637 | 1 | Fahrerschutzdach | |
| 12 | 56303573 | 1 | OVERHEAD GUARD KIT | |
| 13 | 56303579 | 1 | OH GUARD BEACON KIT | |
| 14 | 56305794 | 1 | Grobschmutzgitter-Set | |
| 15 | 56307221 | 1 | Dichtungskit Ansaugens. | |
| 16 | 56109306 | 1 | Sicherheitsgurt-Kit | [2] |
| 17 | 56305896 | 1 | Füllstandsabschaltung | |
| 18 | 56305896 | 1 | Füllstandsabschaltung | |
| 19 | 56305820 | 1 | Füllstandsabschaltung | |
| 20 | 56305509 | 1 | Temperaturschalter f. Kehrgutbehälter | |
| 21 | 56305493 | 1 | Abweisrolle, gross | [3] |
| 22 | 56305530 | 1 | Nass-Saug-Set | |
| 23 | 56305519 | 1 | Rückfahralarm | |
| 24 | 56305643 | 1 | REAR VIEW CAMERA KIT | [4] |
| 25 | 56305647 | 1 | Steuerungsset | [5] |
| 26 | 56305621 | 1 | Feuerlöscher | |
| 27 | 56304044 | 1 | Hinterrad | |
| 28 | 56306207 | 1 | Rad kpl. (Gas+Diesel) | |
| 29 | 56305997 | 1 | WHEEL ASSY 6 3X-GROOVE IC MDL | |
| 30 | 56305611 | 1 | Fahrerkomfortsitz | |
| 31 | 56303381 | 1 | Deluxe Sitz f. | [6] |
| 32 | 56305628 | 1 | Motorlicht | [3] |
| 33 | 56305519 | 1 | Rückfahralarm | [7] |
| 34 | 56303431 | 1 | FIRE EXTINGUISHER KIT | [8] |
| 35 | 56303028 | 1 | Hinterrad kpl. | |
| 36 | 56303595 | 1 | Rad kpl. (Batterie) | |
| 37 | 56303560 | 1 | WHEEL ASSY 6 3XGROOVE BATTERY | |
| 38 | 56303362 | 1 | TROUBLE LAMP KIT | [9] |
| 39 | 56306138 | 1 | EDS-Set 12VDC | [3] |
| 40 | 56306145 | 1 | EDS-Set 36VDC | [3] |

Part Notes:

- [1] - NO LONGER AVAILABLE
- [2] - SEE TSB-FC-2015-040
TSB-FC-2015-040 Replacement Parts
- [3] - PRUNED ACCESSORY
- [4] - OBSOLETE
- [5] - Not shown
- [6] - SEE PI 2017-002
- [7] - Replaces 56303355
- [8] - EXPIRED ON 12/13/2018
- [9] - STOCK COVERS GUARANTEE



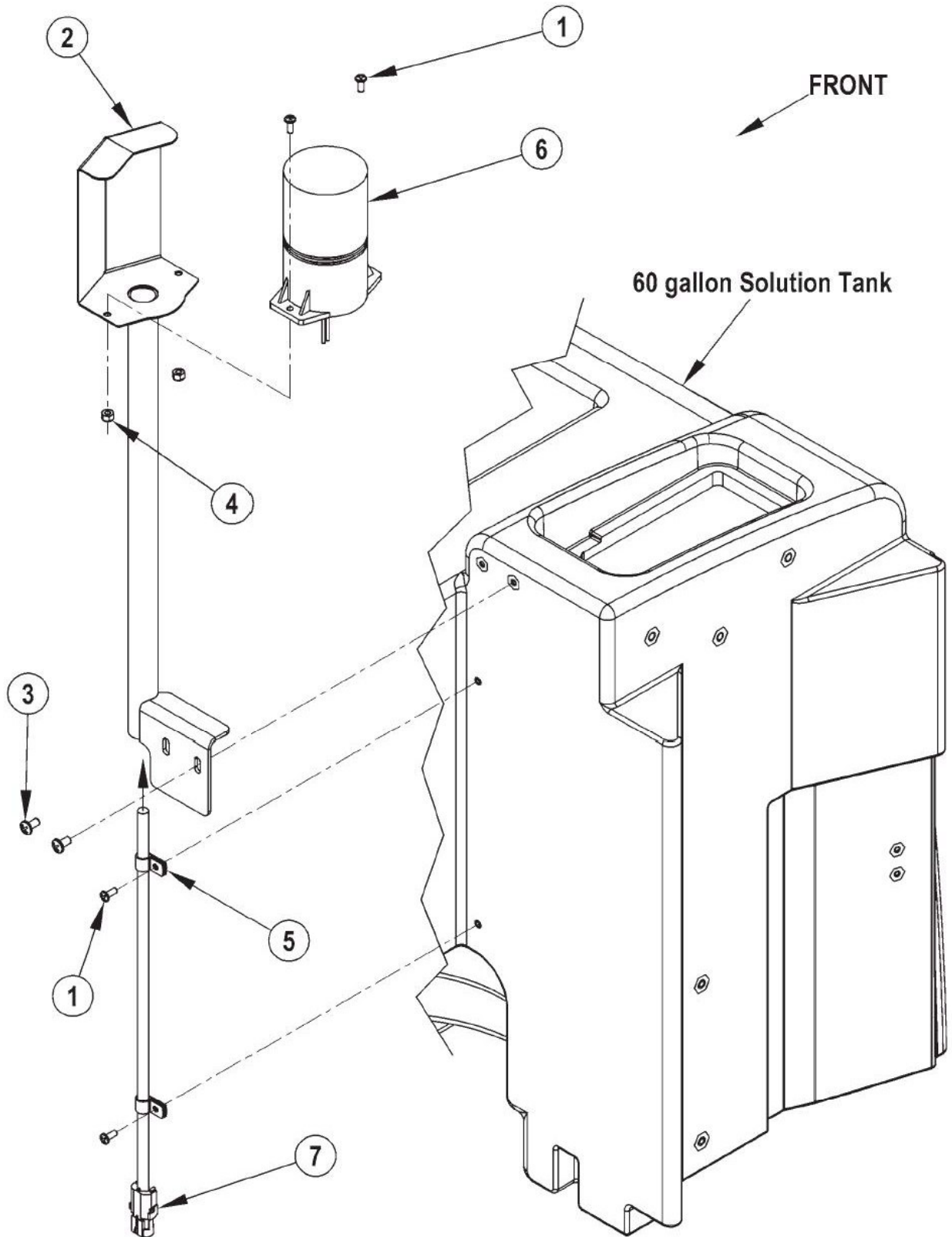
| Pos. | Artikel-Nr. | Menge | Variante | Notes |
|------|-------------|-------|----------------------|-------|
| 00 | 56305519 | 1 | Rückfahralarm | |
| 01 | 56409232 | 1 | Fahrerschutzdach | |
| 02 | 56409495 | 1 | Anschlußkabel | |
| 03 | 56409538 | 2 | Isolator | |
| 04 | 56002155 | 2 | SCR HEX 1/4-20 X .75 | |
| 05 | 56002708 | 2 | Stopmutter 1/4-20 | |
| 06 | 56002098 | 2 | Scheibe | |



| Pos. | Artikel-Nr. | Menge | Variante | Notes |
|------|-------------|-------|---------------------------|-------|
| 00 | 56305482 | 1 | Warnleuchte | [1] |
| 01 | 56001993 | 4 | SCR PAN HD PHIL 10-24X.50 | |
| 02 | 56002145 | 2 | Schraube 1/4 20x .50 | |
| 03 | 56002832 | 2 | 6-Kt Mutter Nylon | |
| 04 | 56172017 | 2 | P-CLIP E00129 | |
| 05 | 56305223 | 1 | Rundumleuchte | [2] |
| 06 | 56305481 | 1 | TUBE WELDMENT | |
| 07 | 56305513 | 1 | Schutzrohr für | |

Part Notes:

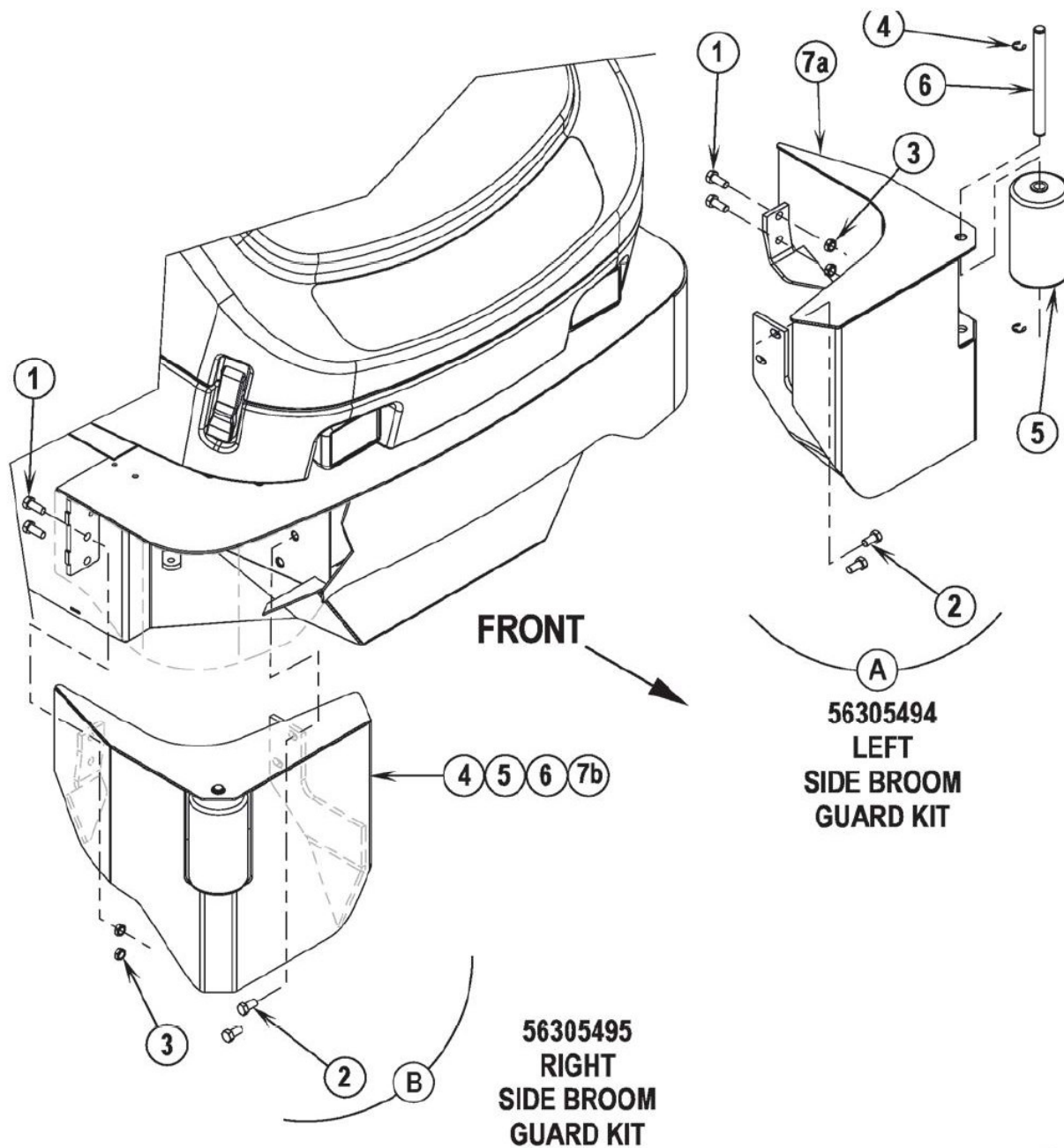
- [1] - Standard on CR 1200 an 1400 models
- [2] - EXPIRED USE 56510893



| Pos. | Artikel-Nr. | Menge | Variante | Notes |
|------|-------------|-------|---------------------------|-------|
| 00 | 56305881 | 1 | BEACON KIT 60 | [1] |
| 01 | 56001993 | 4 | SCR PAN HD PHIL 10-24X.50 | |
| 02 | 56305883 | 1 | BEACON MOUNT WELDMENT 60 | |
| 03 | 56002145 | 2 | Schraube 1/4 20x .50 | |
| 04 | 56002832 | 2 | 6-Kt Mutter Nylon | |
| 05 | 56172017 | 2 | P-CLIP E00129 | |
| 06 | 56305223 | 1 | Rundumleuchte | [2] |
| 07 | 56305513 | 1 | Schutzrohr für | |

Part Notes:

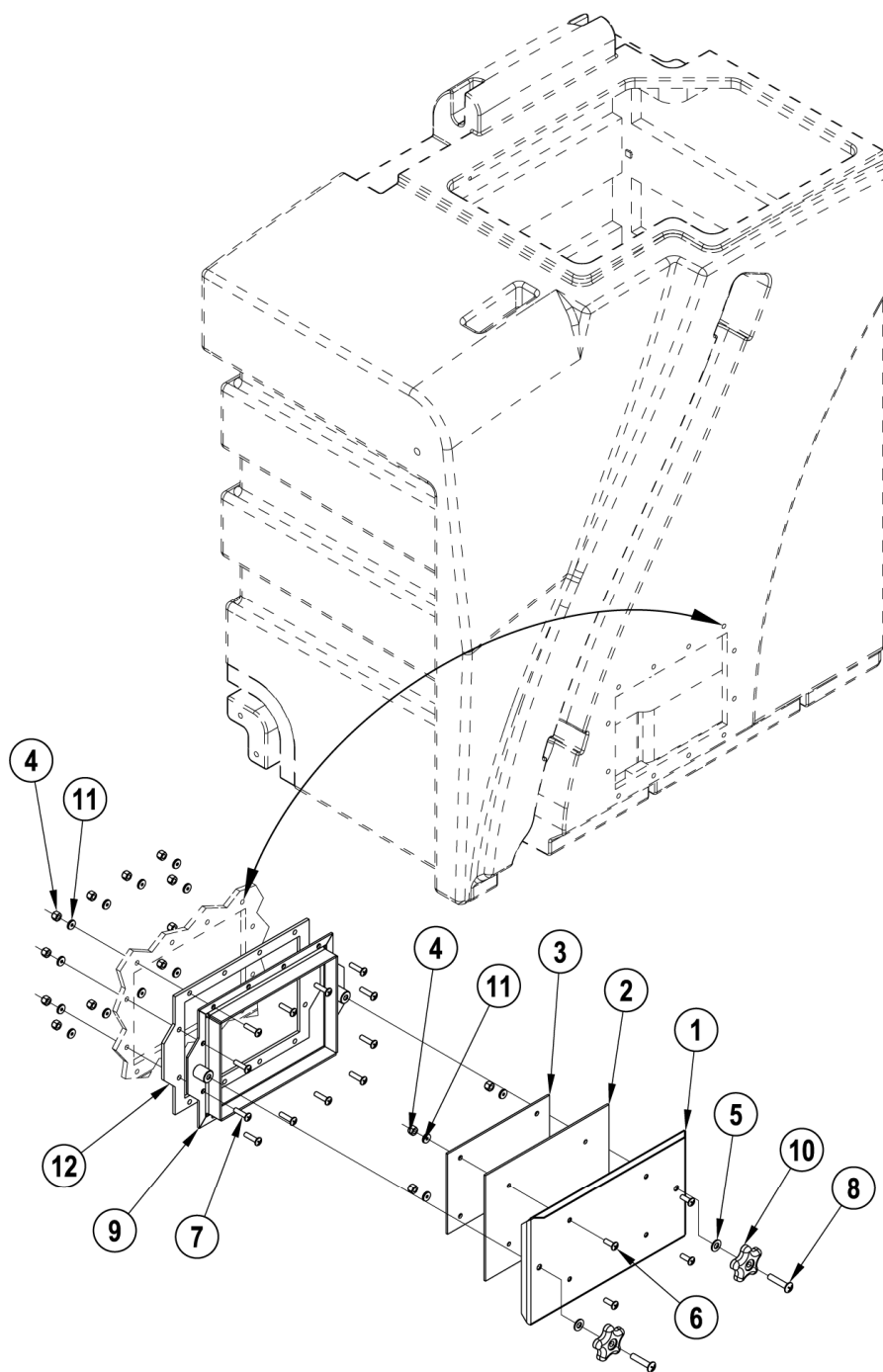
- [1] - Standard on CR 1100 models
- [2] - EXPIRED USE 56510893



| Pos. | Artikel-Nr. | Menge | Variante | Notes |
|------|-------------|-------|------------------------------------|-------|
| 00 | 56305652 | 1 | Stoss-Schutz Seitenbesen, re./li. | [1] |
| 01 | 56001831 | 2 | Schraube 1/2-13X1,25 | |
| 02 | 56001895 | 2 | SCR HEX HD 1/2-13 X 1.00 | |
| 03 | 56002843 | 2 | NUT HEX NYL LOC-THIN1/2-1 | |
| 04 | 56003266 | 2 | Sicherungsring | |
| 05 | 56409335 | 1 | BUMPER ROLLER | |
| 06 | 56409336 | 1 | PIN | |
| 07A | 56305322 | 1 | Seitenschutz, links | |
| 07B | 56305321 | 1 | Seitenschutz, rechts | |
| 0A | 56305494 | 1 | Schutz f. Setenbesen li. | |
| 0B | 56305495 | 1 | Anfahrerschutz Seitenbesen, rechts | |

Part Notes:

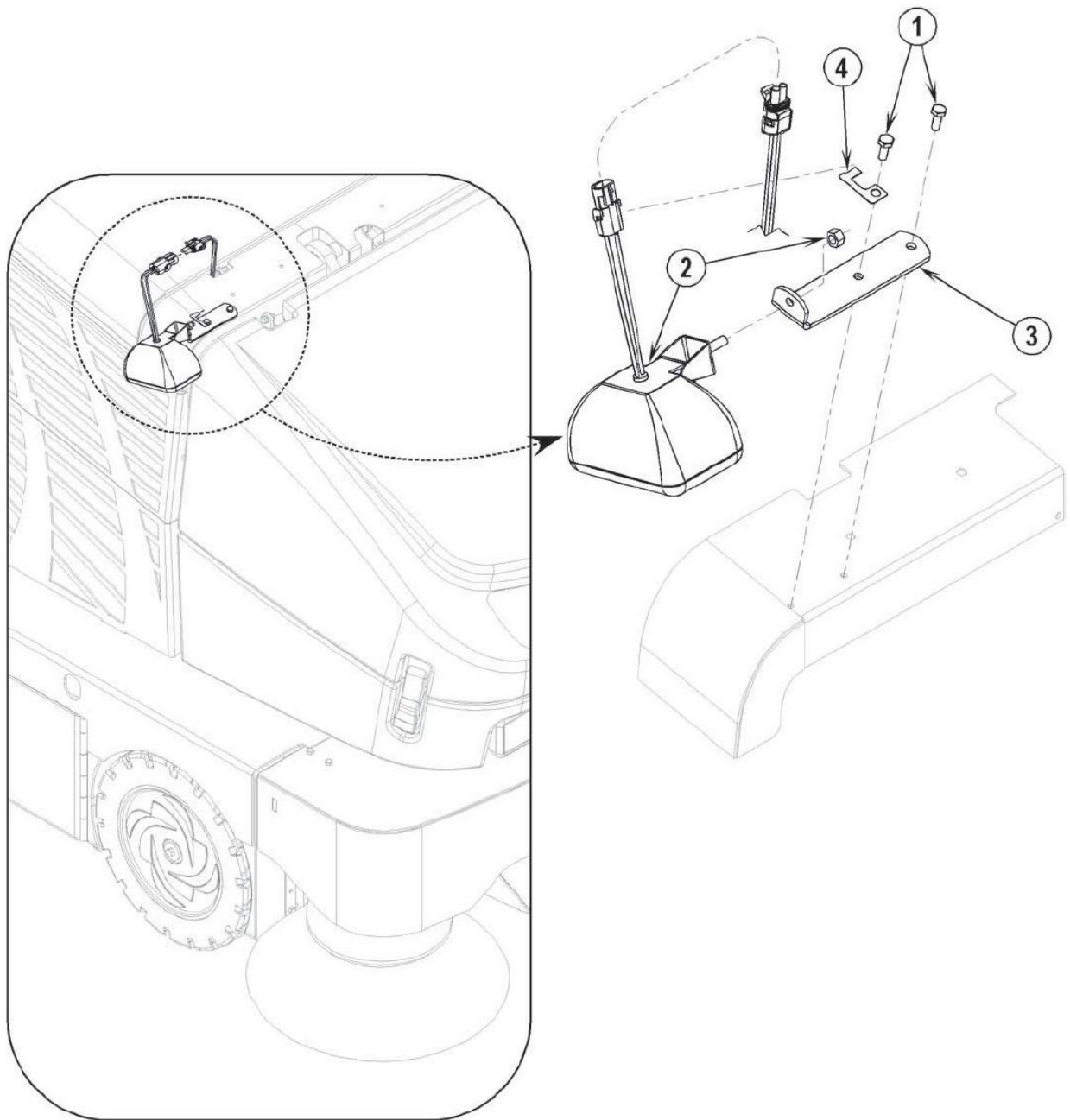
[1] - Items A and B



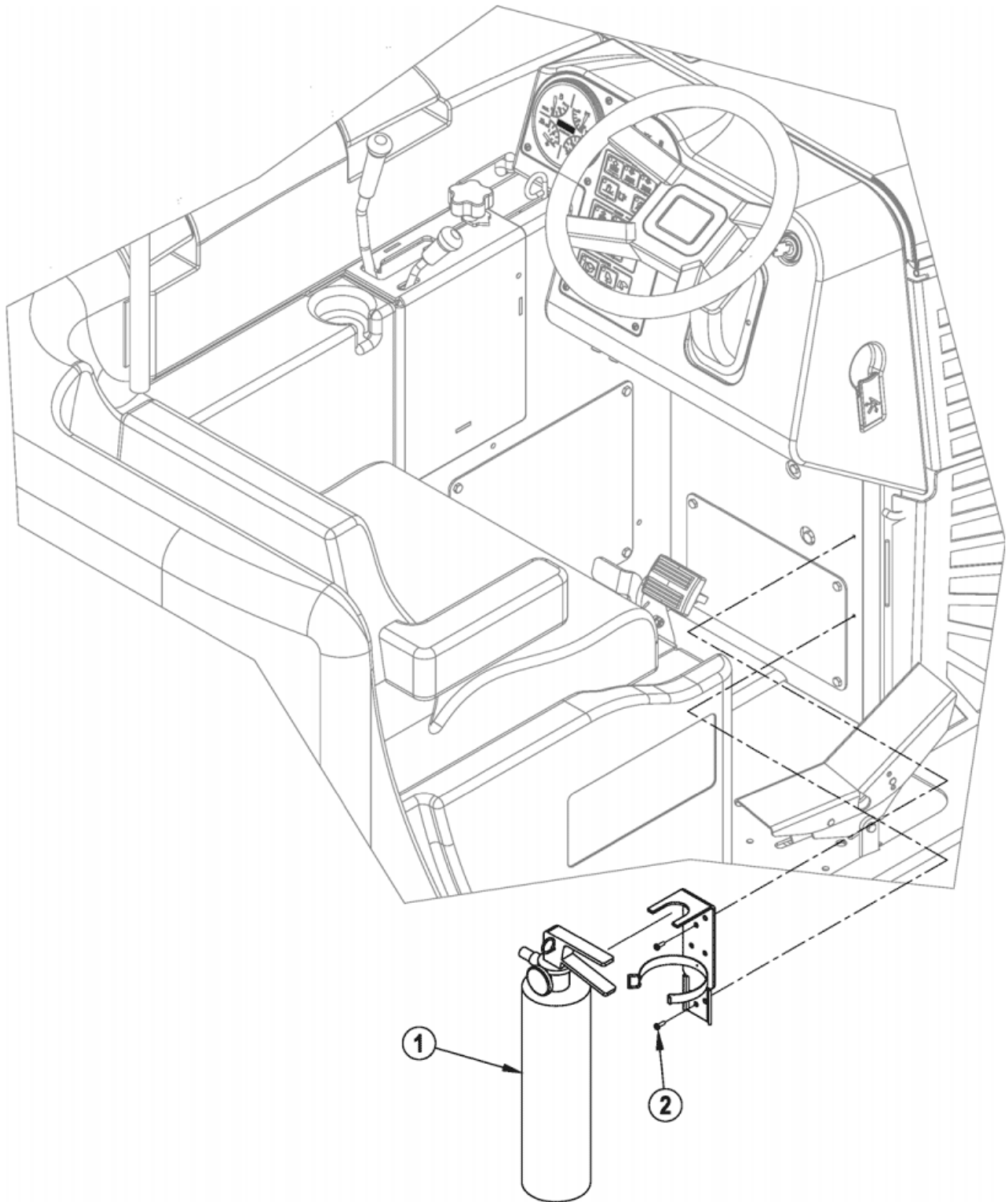
| Pos. | Artikel-Nr. | Menge | Variante | Notes |
|------|-------------|-------|--------------------------------|-------|
| 00 | 56303572 | 1 | Revisionsklappe | [1] |
| 01 | 56459302 | 1 | COVER | [1] |
| 02 | 56459303 | 1 | GASKET,DOOR | [1] |
| 03 | 56459312 | 1 | PLATE | [1] |
| 04 | 56002491 | 16 | Stopmutter 1/4-20 | |
| 05 | 56002938 | 2 | WSH FLT SAE SS 5/16 | |
| 06 | 56002957 | 4 | Schraube SS 1/4 - 20 X | |
| 07 | 56003067 | 12 | Schraube 1/4-20-1.00AX 310 | |
| 08 | 56003208 | 2 | SCR PAN PHIL SS 5/16-18 X 1.50 | |
| 09 | 56303568 | 1 | FRAME WELDMENT | |
| 10 | 56396254 | 2 | Knopf | |
| 11 | 56900737 | 16 | UNTERLAGSSCHEIBE | |
| 12 | 56303578 | 1 | GASKET BASE | [2] |

Part Notes:

- [1] - NO LONGER AVAILABLE
- [2] - SEE PI 2017-002



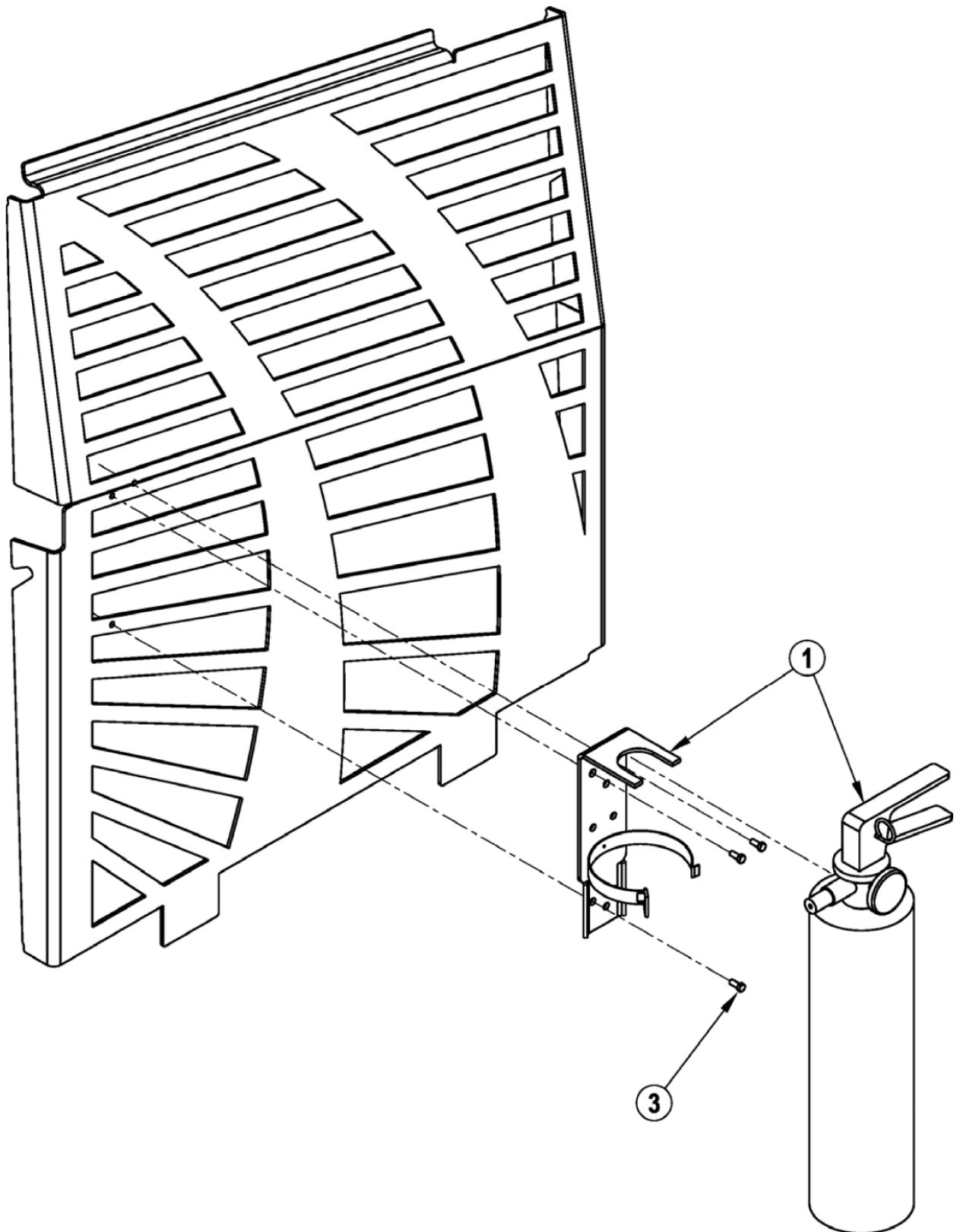
| Pos. | Artikel-Nr. | Menge | Variante | Notes |
|------|-------------|-------|-------------------------|-------|
| 00 | 56305641 | 1 | Randsteinlicht | |
| 01 | 56009018 | 2 | SCHRAUBE 1/4-20X3/4 HP5 | |
| 02 | 56304768 | 1 | Lampe 12V CR 1400 | |
| 03 | 56305648 | 1 | BRACKET | |
| 04 | 56409769 | 1 | CLIP WEATHER PACK | |



| Pos. | Artikel-Nr. | Menge | Variante | Notes |
|------|-------------|-------|------------------------|-------|
| 00 | 56305621 | 1 | Feuerlöscher | [1] |
| 01 | 8-83-04033 | 1 | Feuerlöscher m. Halter | [2] |
| 02 | 56009019 | 2 | Schraube 1/4-20x.38 | |

Part Notes:

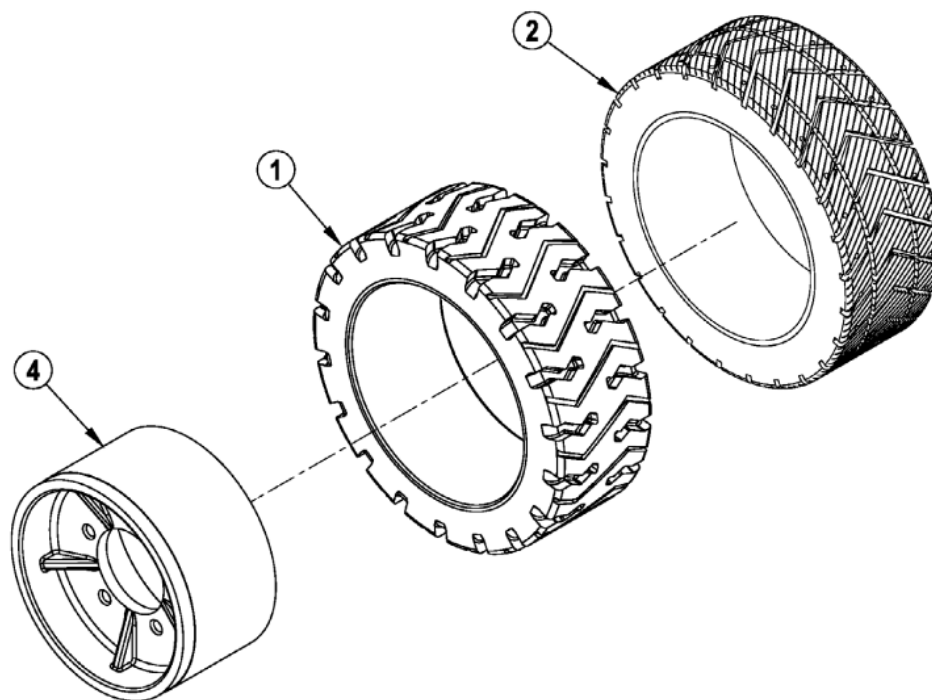
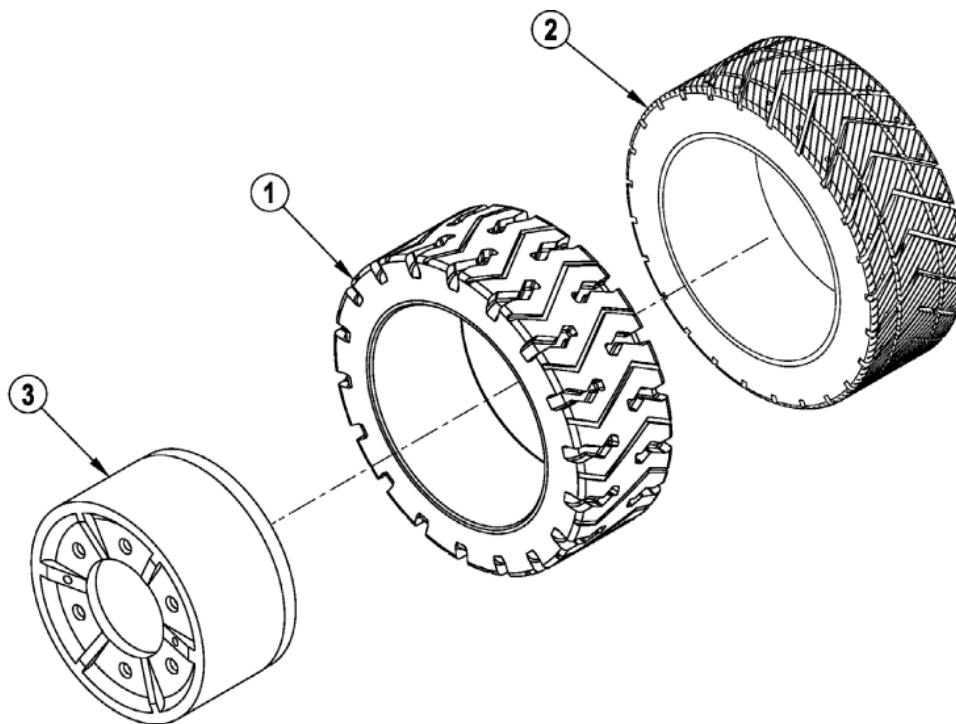
- [1] - Engine models
- [2] - Includes bracket



| Pos. | Artikel-Nr. | Menge | Variante | Notes |
|------|-------------|-------|------------------------|-------|
| 00 | 56303431 | 1 | FIRE EXTINGUISHER KIT | [1] |
| 01 | 8-83-04033 | 1 | Feuerlöscher m. Halter | [2] |
| 03 | 56009019 | 3 | Schraube 1/4-20x.38 | |

Part Notes:

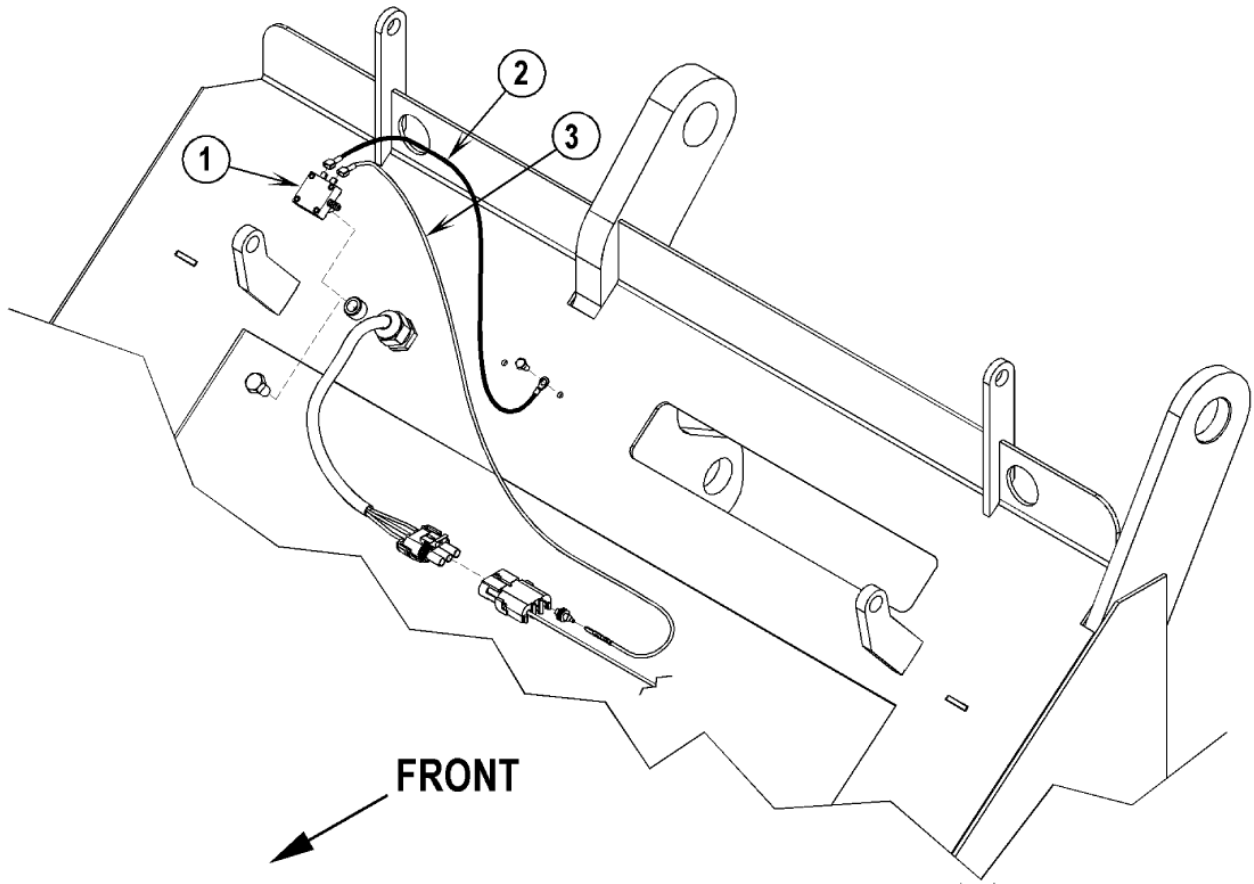
- [1] - Battery models
EXPIRED ON 12/13/2018
- [2] - Includes bracket



| Pos. | Artikel-Nr. | Menge | Variante | Notes |
|------|-------------|-------|-------------------------------|-------|
| 00 | 56305997 | 1 | WHEEL ASSY 6 3X-GROOVE IC MDL | [1] |
| 00 | 56305996 | 1 | TIRE 6 3X-GROOVE | |
| 00 | 56303560 | 1 | WHEEL ASSY 6 3XGROOVE BATTERY | [2] |
| 01 | 56304025 | 1 | Vollgummirad 16,25x6 | |
| 02 | 56304044 | 1 | Hinterrad | [1] |
| 03 | 56304027 | 1 | HUB REAR | |
| 03 | 56303028 | 1 | Hinterrad kpl. | [2] |
| 03 | 56306207 | 1 | Rad kpl. (Gas+Diesel) | [3] |
| 04 | 56303029 | 1 | HUB REAR | |
| 04 | 56303595 | 1 | Rad kpl. (Batterie) | [4] |

Part Notes:

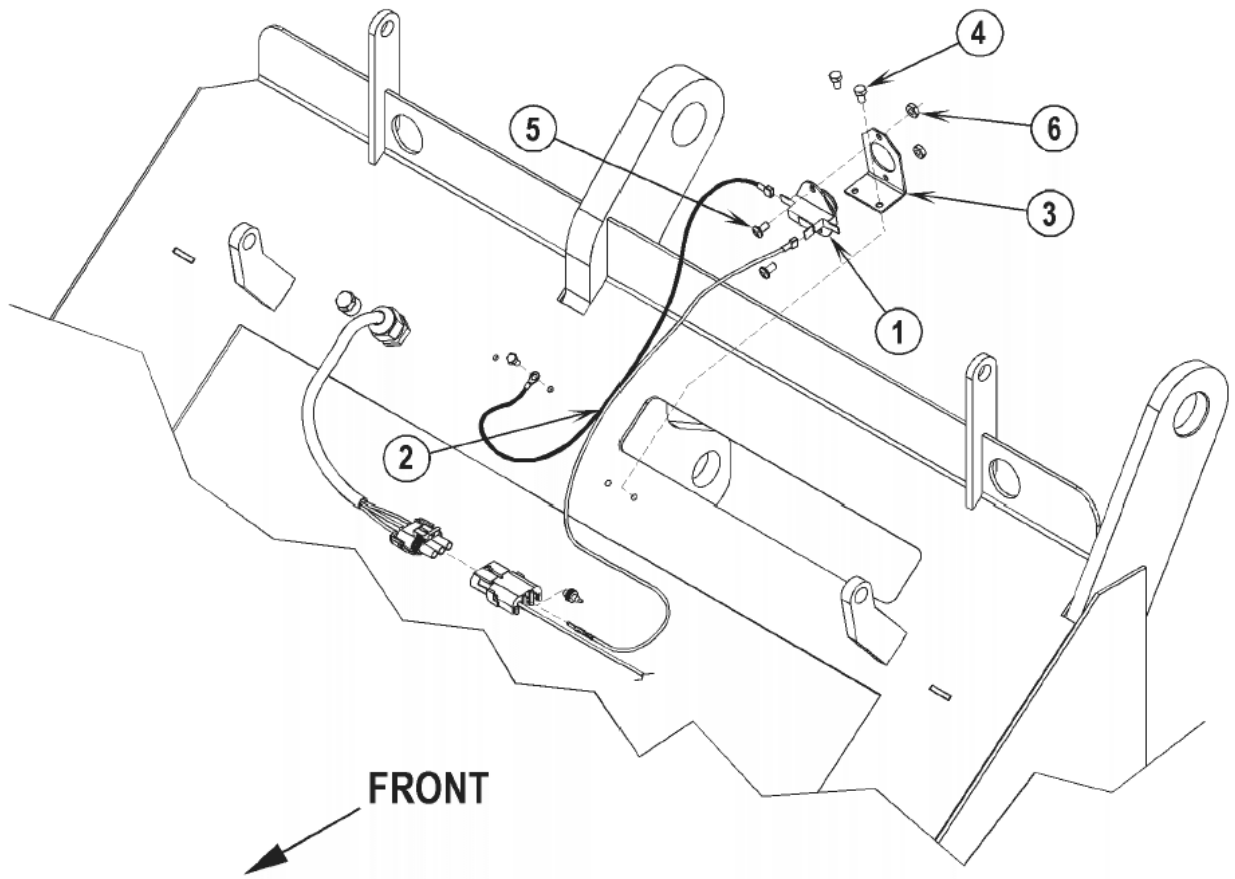
- [1] - ENGINE MODELS
- [2] - BATTERY MODELS
- [3] - ENGINE MODELS, TSBUS2009-1038
- [4] - BATTERY MODELS, TSBUS2009-1038



| Pos. | Artikel-Nr. | Menge | Variante | Notes |
|------|-------------|-------|---|-------|
| 00 | 56305517 | 1 | Steuerungsset f. Filter-Kehrgutbehälter | |
| 00 | 56478246 | 2 | CABLE TIE E00549 RE438BA | [1] |
| 01 | 56305518 | 1 | SWITCH VACUUM | |
| 02 | 56305479 | 1 | BLK 18-9 WIRE ASSEMBLY | |
| 03 | 56305478 | 1 | WHT/GRA 18-2 WIRE ASSEMBLY | |

Part Notes:

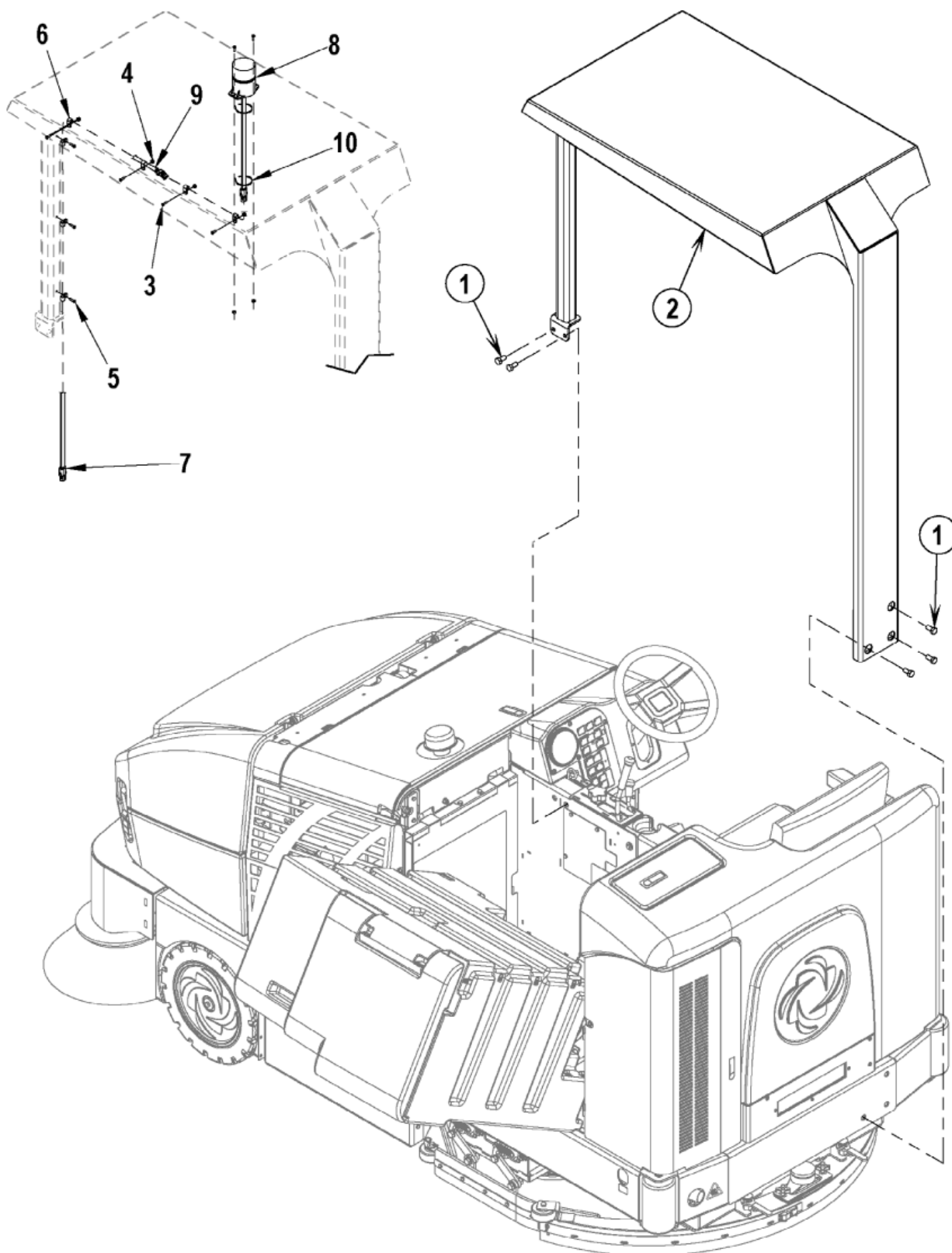
[1] - Not shown



| Pos. | Artikel-Nr. | Menge | Variante | Notes |
|------|-------------|-------|---------------------------------------|-------|
| 00 | 56305509 | 1 | Temperaturschalter f. Kehrgutbehälter | |
| 01 | 56418405 | 1 | Thermoschalter CR 1400 | |
| 02 | 56304760 | 1 | HARNESS TEMPERATURE SWITCH | |
| 02 | 56478246 | 2 | CABLE TIE E00549 RE438BA | [1] |
| 03 | 56418440 | 1 | BRACKET | |
| 04 | 56009012 | 2 | Schraube 10-24 x 3/8Siehe 56009039 | |
| 05 | 56001818 | 2 | SCR PAN PHIL 8-32 X .38 | |
| 06 | 56002877 | 2 | NUT HEX NYL LOC SS 8-32 | |

Part Notes:

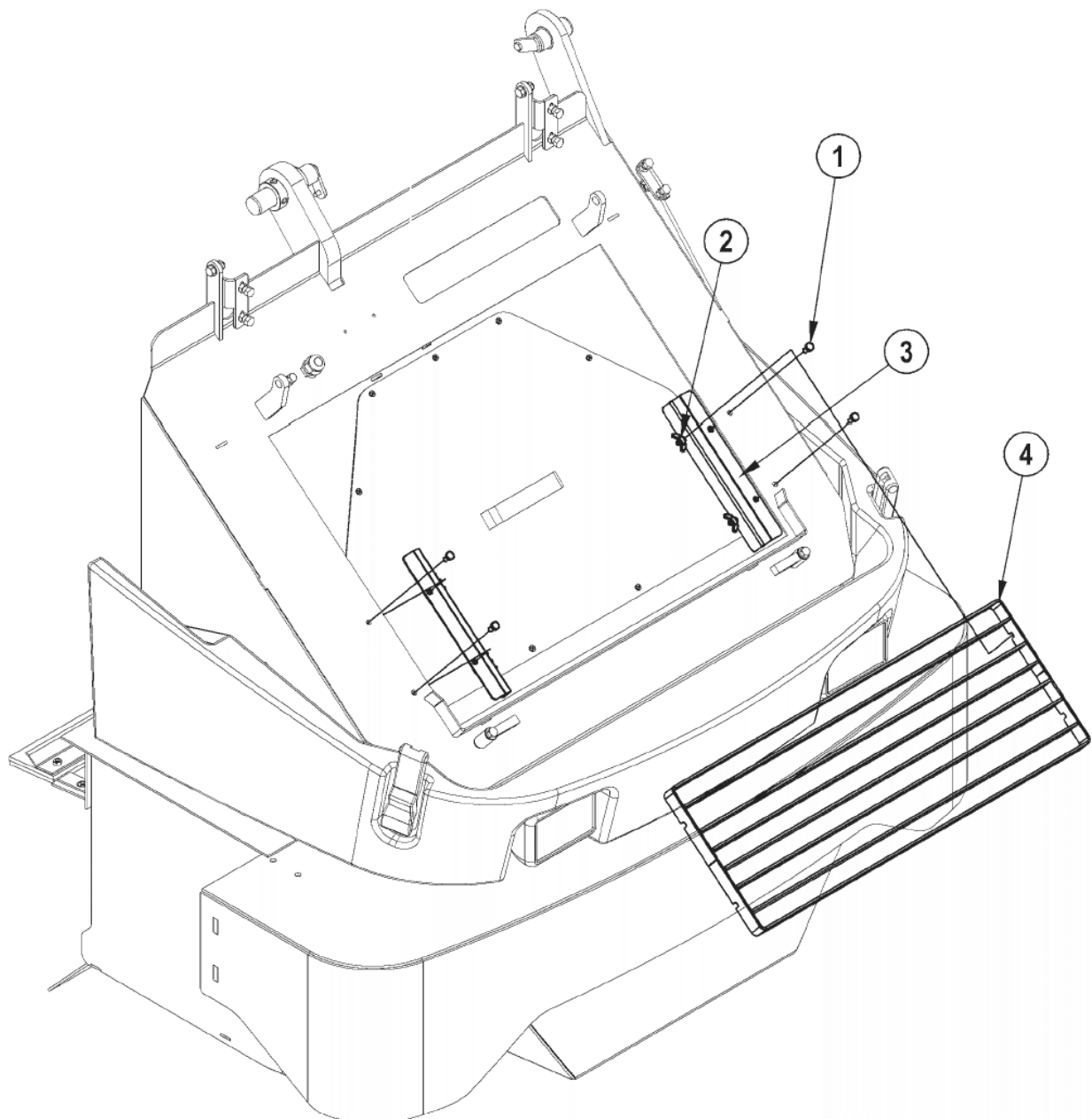
[1] - Not shown



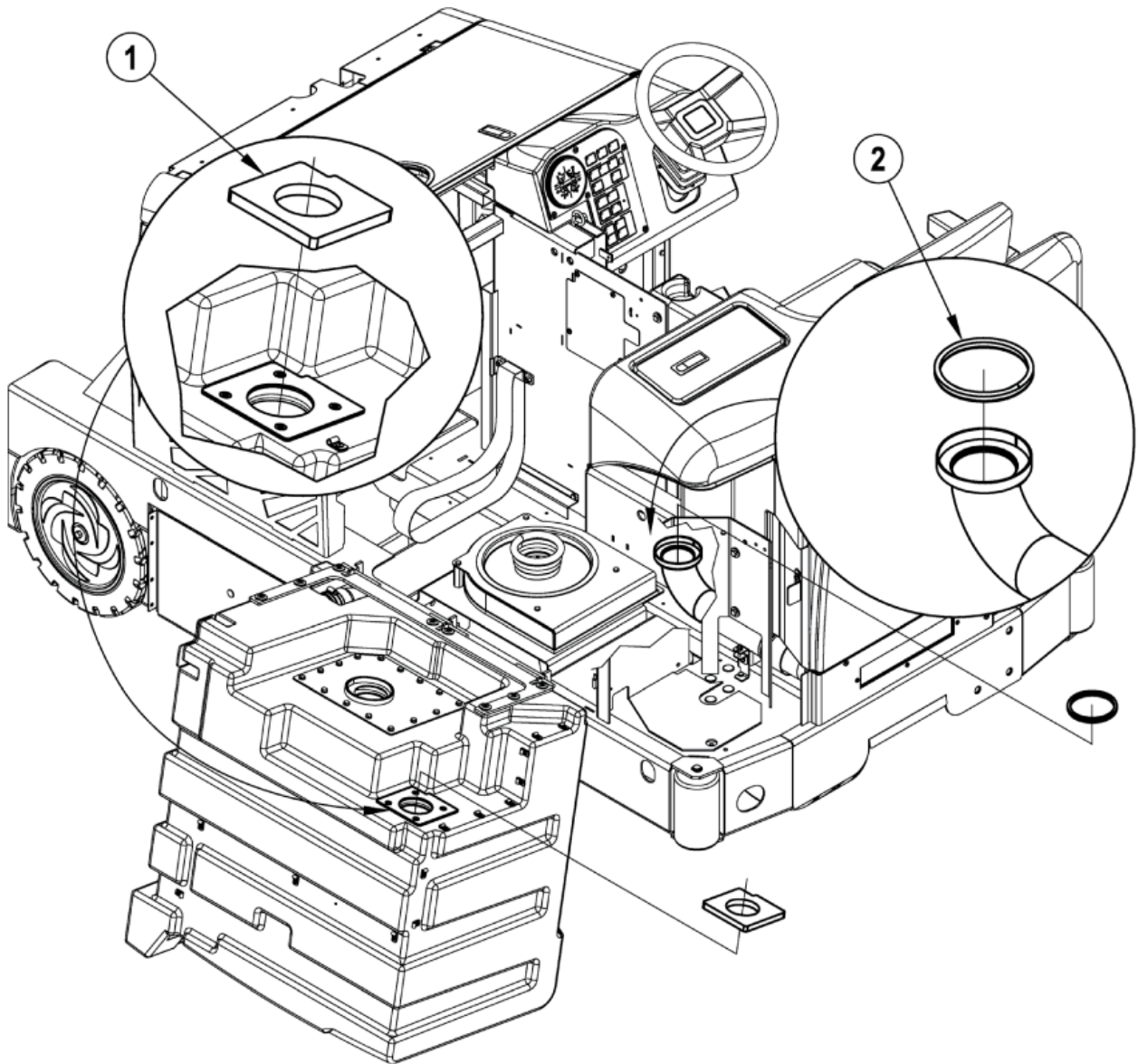
| Pos. | Artikel-Nr. | Menge | Variante | Notes |
|------|-------------|-------|--------------------------------|-------|
| | 56303579 | 1 | OH GUARD BEACON KIT | |
| | 56303573 | 1 | OVERHEAD GUARD KIT | |
| | 56305637 | 1 | Fahrerschutzdach | [1] |
| 01 | 56003083 | 5 | Radbolzen | [2] |
| 02 | 56305637 | 1 | Fahrerschutzdach | |
| 02 | 56305687 | 1 | TRIM EDGE | [3] |
| 02 | 56305705 | 2 | TRIM EDGE | [4] |
| 02 | 56303574 | 1 | GUARD WELDMENT | [5] |
| 03 | 56002124 | 6 | Schraube10-24 X .62 PNH PH. | |
| 04 | 56002768 | 6 | 1/4-20 NYLOC NUT | |
| 05 | 56009043 | 3 | SCR PAN PHIL THD FORM10-24X.75 | |
| 06 | 56172017 | 7 | P-CLIP E00129 | |
| 07 | 56307165 | 1 | HARNESS BEACON | |
| 08 | 56307166 | 1 | Rundumleuchte | |
| 09 | 56307171 | 1 | CONDUIT | [6] |
| 10 | 56478246 | 2 | CABLE TIE E00549 RE438BA | |

Part Notes:

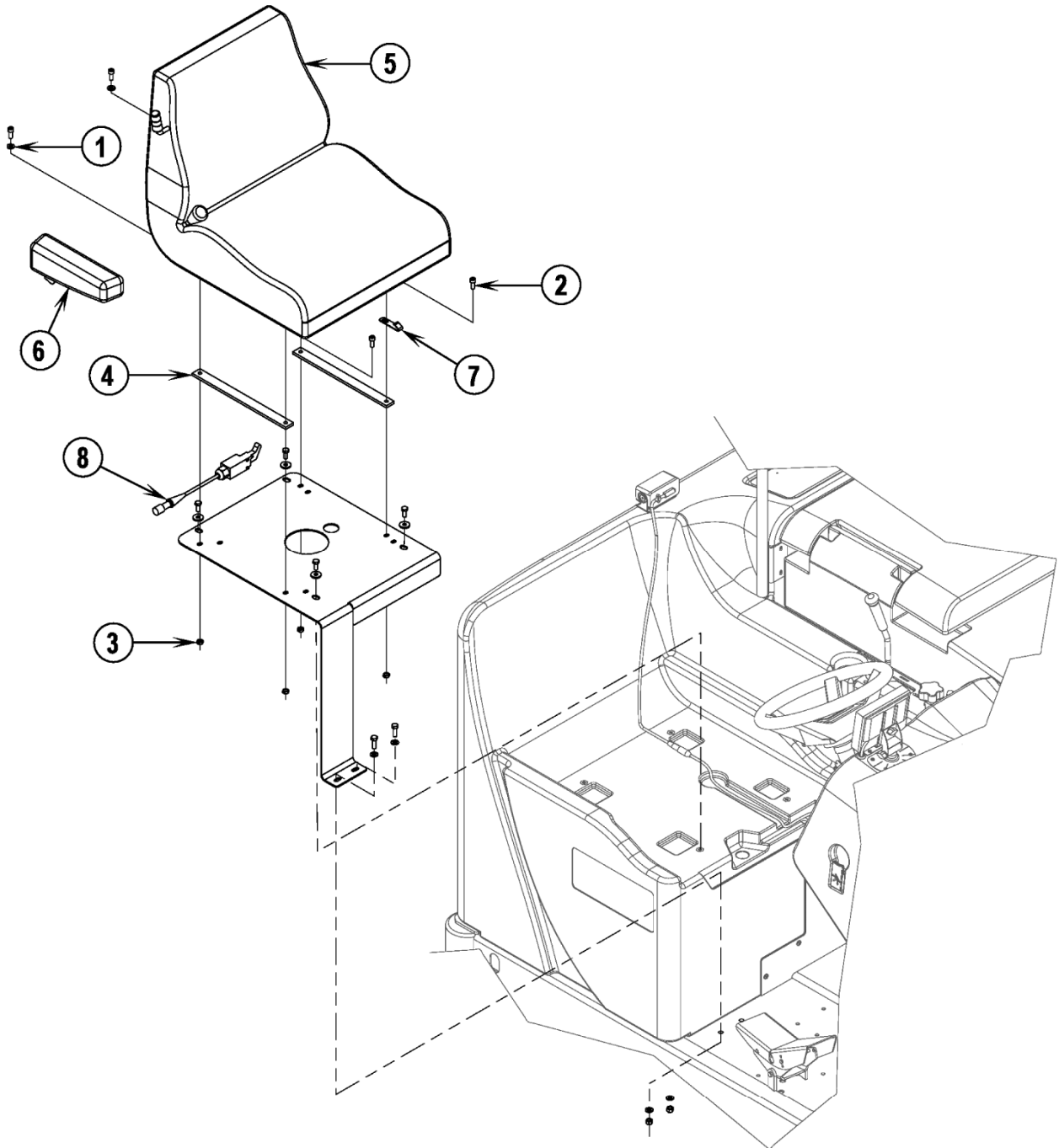
- [1] - Low Clearance
- [2] - Grade 5
- [3] - Pre-assembled to item 2 oval cutaout
- [4] - Pre-assembled to item 2
- [5] - 56303573
- [6] - SEE PI 2017-002



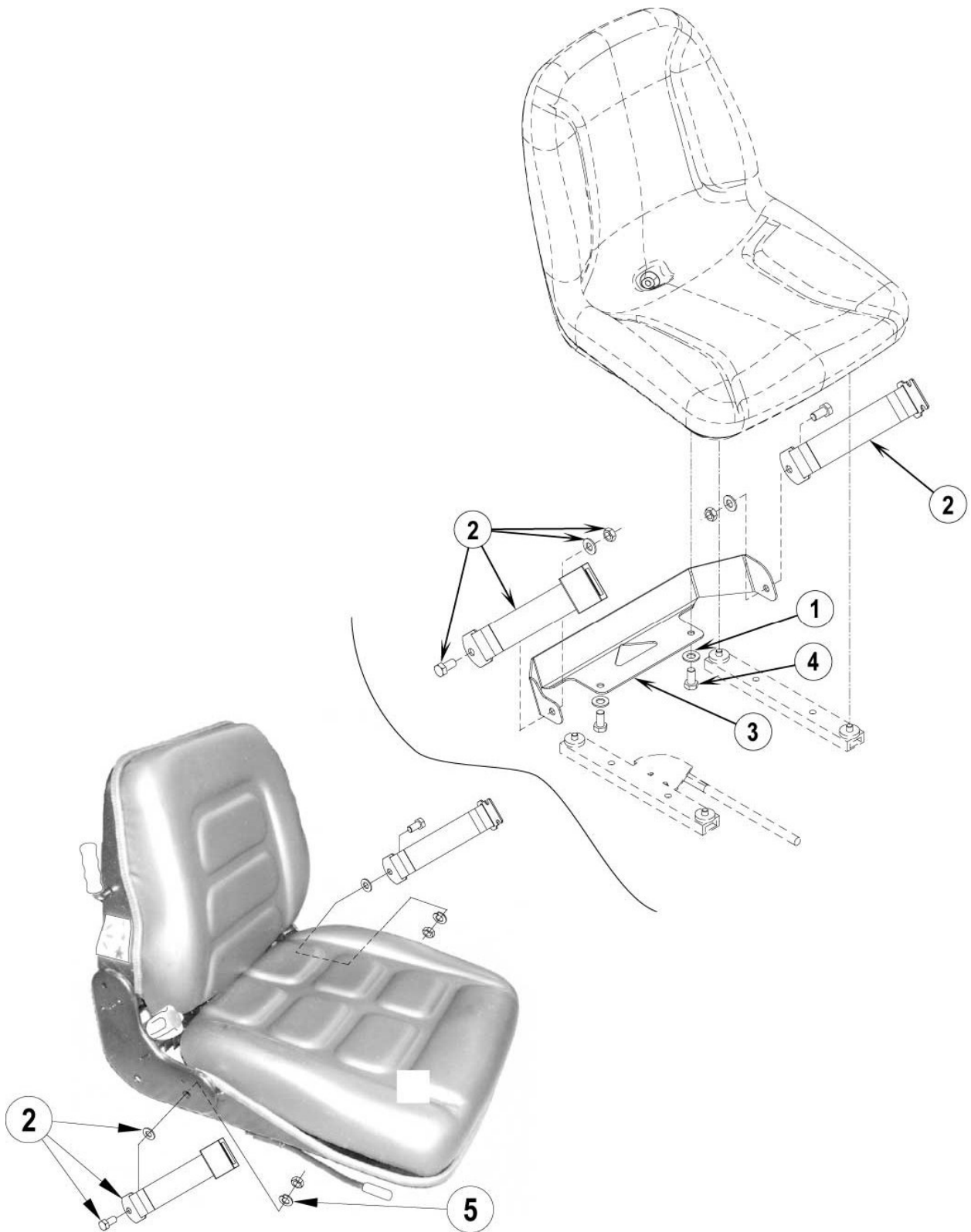
| Pos. | Artikel-Nr. | Menge | Variante | Notes |
|------|-------------|-------|--|-------|
| 00 | 56305794 | 1 | Grobschmutzgitter-Set | |
| 01 | 56003039 | 4 | Schraube 1/4-20 | |
| 02 | 56009048 | 4 | FLUEGELMUTTER 1/4-20Ersetzt durch: 56003 | |
| 03 | 56305875 | 2 | BRACKET PREFILTER | |
| 04 | 56305887 | 1 | Vorfilter | |



| Pos. | Artikel-Nr. | Menge | Variante | Notes |
|------|-------------|-------|---------------------------|-------|
| | 56307221 | 1 | Dichtungskit Ansaug eins. | |
| 01 | 56307219 | 1 | Schaumdichtung | |
| 02 | 56307220 | 1 | Kantenschutz | |



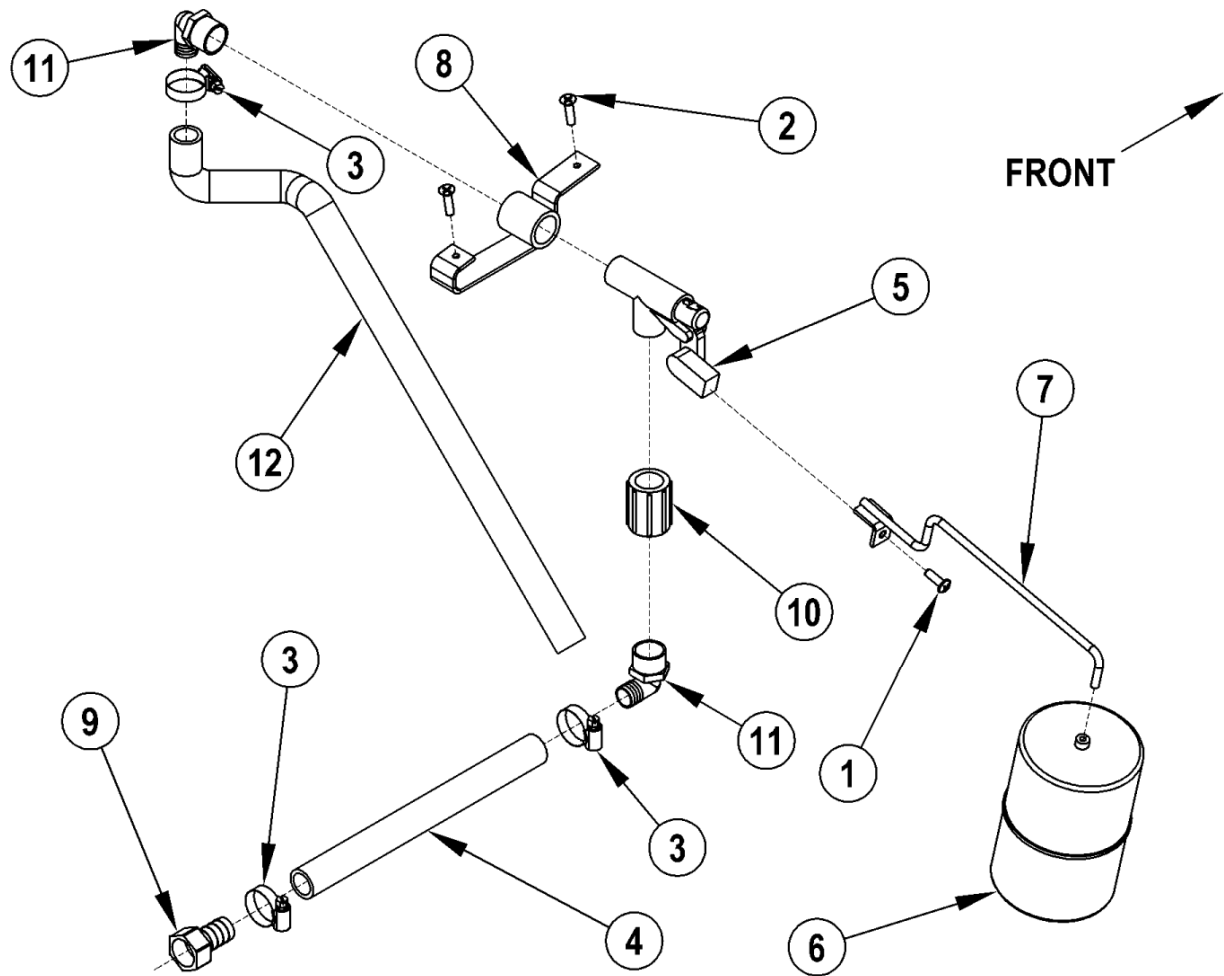
| Pos. | Artikel-Nr. | Menge | Variante | Notes |
|------|-------------|-------|---------------------------|-------|
| 00 | 56305611 | 1 | Fahrerkomfortsitz | |
| 01 | 56001939 | 2 | Flachdichtung 5/16 | |
| 02 | 56001959 | 4 | SCR SOC HD 5/16-18 X .75 | |
| 03 | 56002826 | 4 | NUT HEX NYLOC THIN 5/16-1 | |
| 04 | 56305191 | 2 | SPACER SEAT | |
| 05 | 56305612 | 1 | Sitz | |
| 06 | 56305613 | 1 | Armlehne | |
| 07 | 56305934 | 1 | SLIDE STOP SEAT | |



| Pos. | Artikel-Nr. | Menge | Variante | Notes |
|------|-------------|-------|---|-------|
| | 56109306 | 1 | Sicherheitsgurt-Kit | [1] |
| 01 | 56001939 | 2 | Flachdichtung 5/16 | |
| 02 | | 1 | Seat Belt - Includes hardware - not available | [2] |
| 03 | 56507886 | 1 | BRACKET SEAT BELT MTG | |
| 04 | 56001862 | 2 | SCR HEX HD 5/16-18 X .50 | |
| 05 | 2-00-02312 | 2 | Scheibe | |

Part Notes:

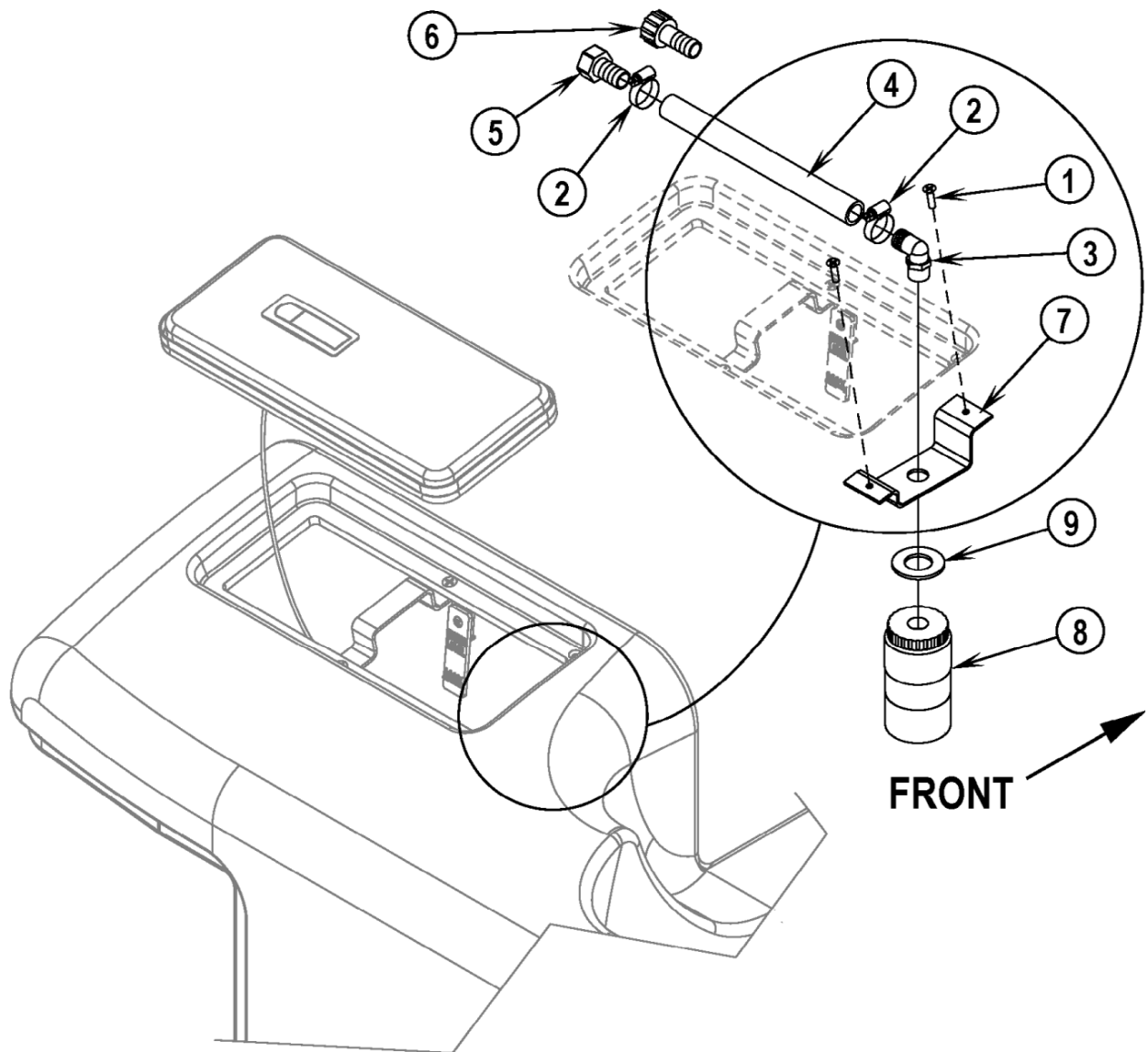
- [1] - SEE TSB-FC-2015-040
TSB-FC-2015-040 Replacement Parts
- [2] - Seat Belt - Includes hardware - not available



| Pos. | Artikel-Nr. | Menge | Variante | Notes |
|------|-------------|-------|-------------------------|-------|
| 01 | 56002957 | 1 | Schraube SS 1/4 - 20 X | |
| 02 | 56009019 | 6 | Schraube 1/4-20x.38 | |
| 03 | 56244969 | 3 | Schlauch-Bride | |
| 04 | 56305318 | 1 | HOSE 10.5 SPIRAL E00605 | |
| 05 | 56305566 | 1 | VALVE FLOAT | [1] |
| 07 | 56305586 | 1 | FLOAT ARM WELDMENT | [2] |
| 08 | 56305896 | 1 | Füllstandsabschaltung | |
| 09 | 56305599 | 1 | FITTING GH TO BARB | |
| 10 | 56305636 | 1 | COUPLING 3/4 NPT PVC | [3] |
| 11 | 56456802 | 2 | Winkelracor | |
| 12 | 56459674 | 1 | HOSE SPIRAL E00605 | |

Part Notes:

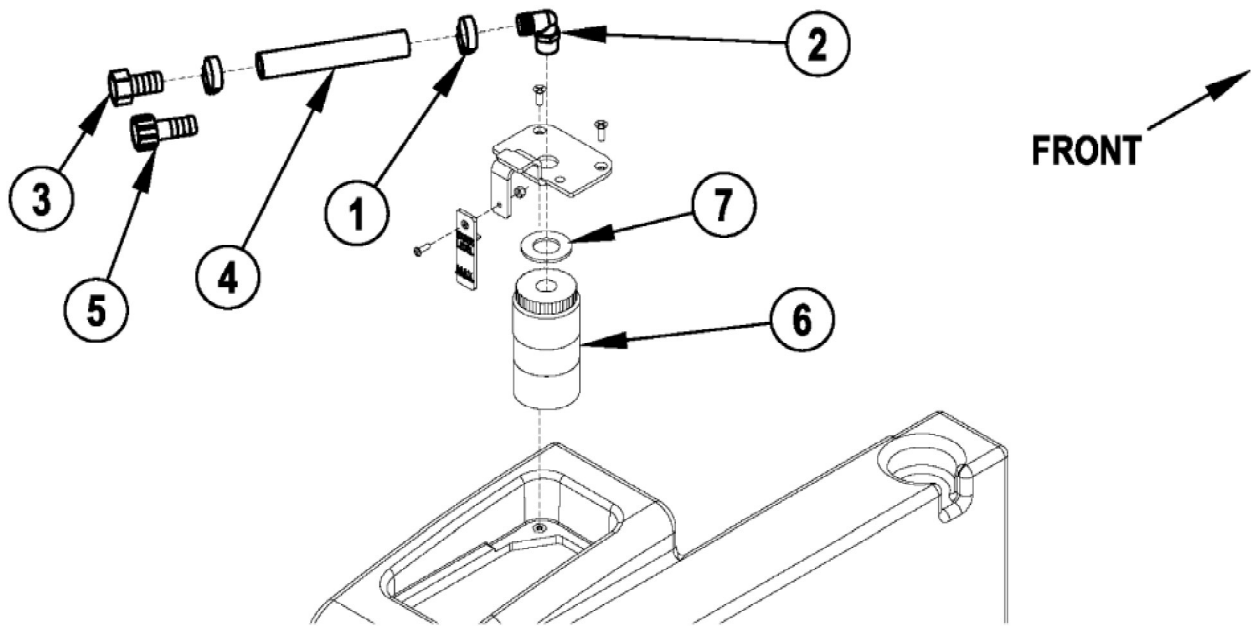
- [1] - STOCK COVERS GUARANTEE
- [2] - NO LONGER AVAILABLE
- [3] - SEE PI 2017-002



| Pos. | Artikel-Nr. | Menge | Variante | Notes |
|------|-------------|-------|--------------------------------|-------|
| 00 | 56305896 | 1 | Füllstandsabschaltung | |
| 01 | 56003074 | 2 | Schraube FLT PHIL SS | |
| 02 | 56244969 | 2 | Schlauch-Bride | |
| 03 | 56244985 | 1 | DRAHT | |
| 04 | 56305318 | 1 | HOSE 10.5 SPIRAL E00605 | |
| 06 | 56305835 | 1 | BARB FEMALE SWIV3/4-14GASX19MM | [1] |
| 07 | 56305888 | 1 | BRACKET | |
| 08 | 56314210 | 1 | VALVE AUTOFILL | [2] |
| 09 | 2-00-05239 | 1 | WSHR-FLAT 2.000X1.063X.125 SST | [3] |

Part Notes:

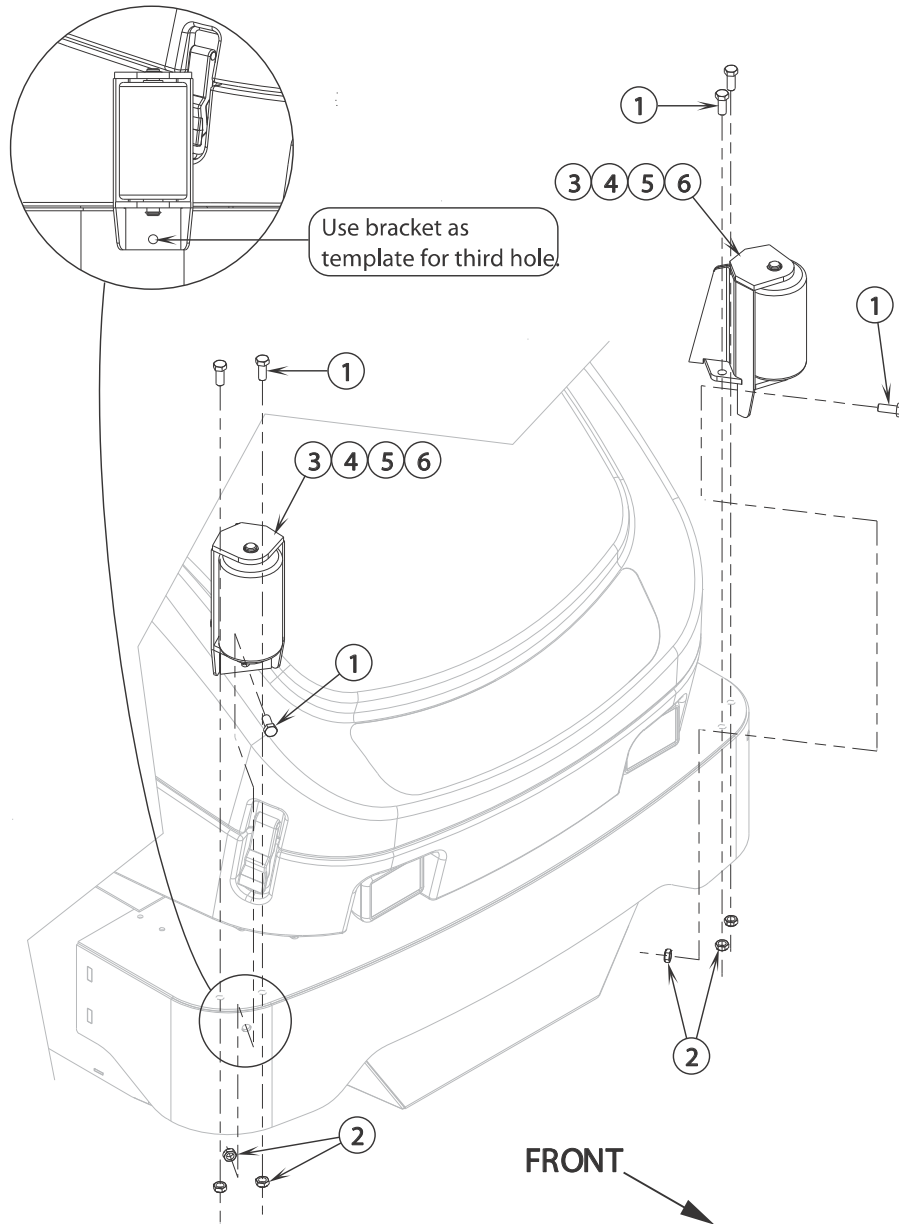
- [1] - European
- [2] - MULTPL REPL SEE CUST SRVC
- [3] - EXPIRED USE 56004012



| Pos. | Artikel-Nr. | Menge | Variante | Notes |
|------|-------------|-------|--------------------------------|-------|
| 00 | 56305820 | 1 | Füllstandsabschaltung | |
| 01 | 56244969 | 2 | Schlauch-Bride | |
| 02 | 56244985 | 1 | DRAHT | |
| 04 | 56305762 | 1 | Schlauch | |
| 05 | 56305835 | 1 | BARB FEMALE SWIV3/4-14GASX19MM | [1] |
| 06 | 56314210 | 1 | VALVE AUTOFILL | [2] |
| 07 | 2-00-05239 | 1 | WSHR-FLAT 2.000X1.063X.125 SST | [3] |

Part Notes:

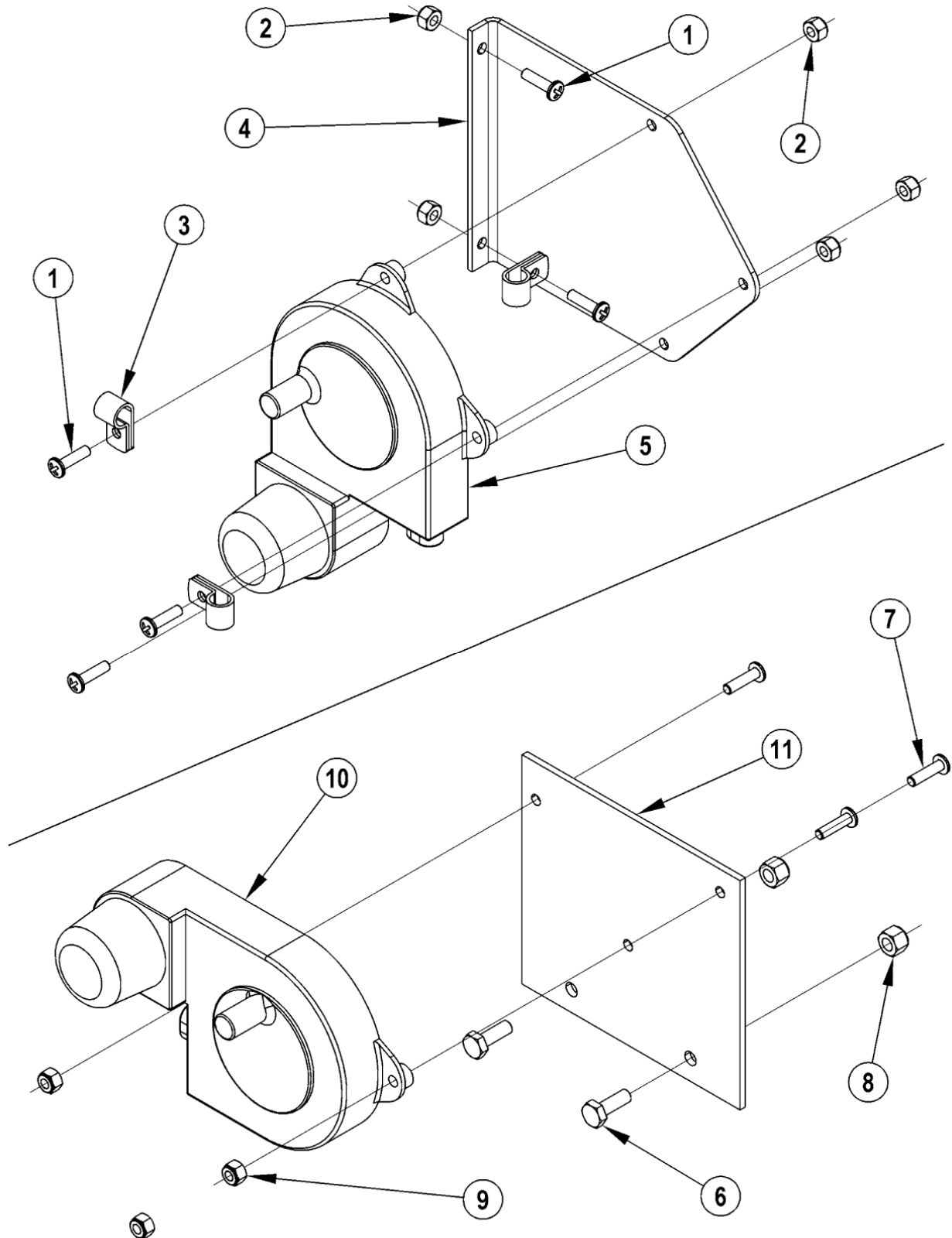
- [1] - European
- [2] - MULTPL REPL SEE CUST SRVC
- [3] - EXPIRED USE 56004012



| Pos. | Artikel-Nr. | Menge | Variante | Notes |
|------|-------------|-------|--------------------------------|-------|
| 00 | 56305493 | 1 | Abweisrolle, gross | [1] |
| 01 | 56001895 | 6 | SCR HEX HD 1/2-13 X 1.00 | |
| 02 | 56002843 | 6 | NUT HEX NYL LOC-THIN1/2-1 | |
| 03 | 56003266 | 4 | Sicherungsring | |
| 04 | 56409335 | 2 | BUMPER ROLLER | |
| 05 | 56409336 | 2 | PIN | |
| 06 | 56305332 | 2 | ROLLER BUMPER BRACKET WELDMENT | |

Part Notes:

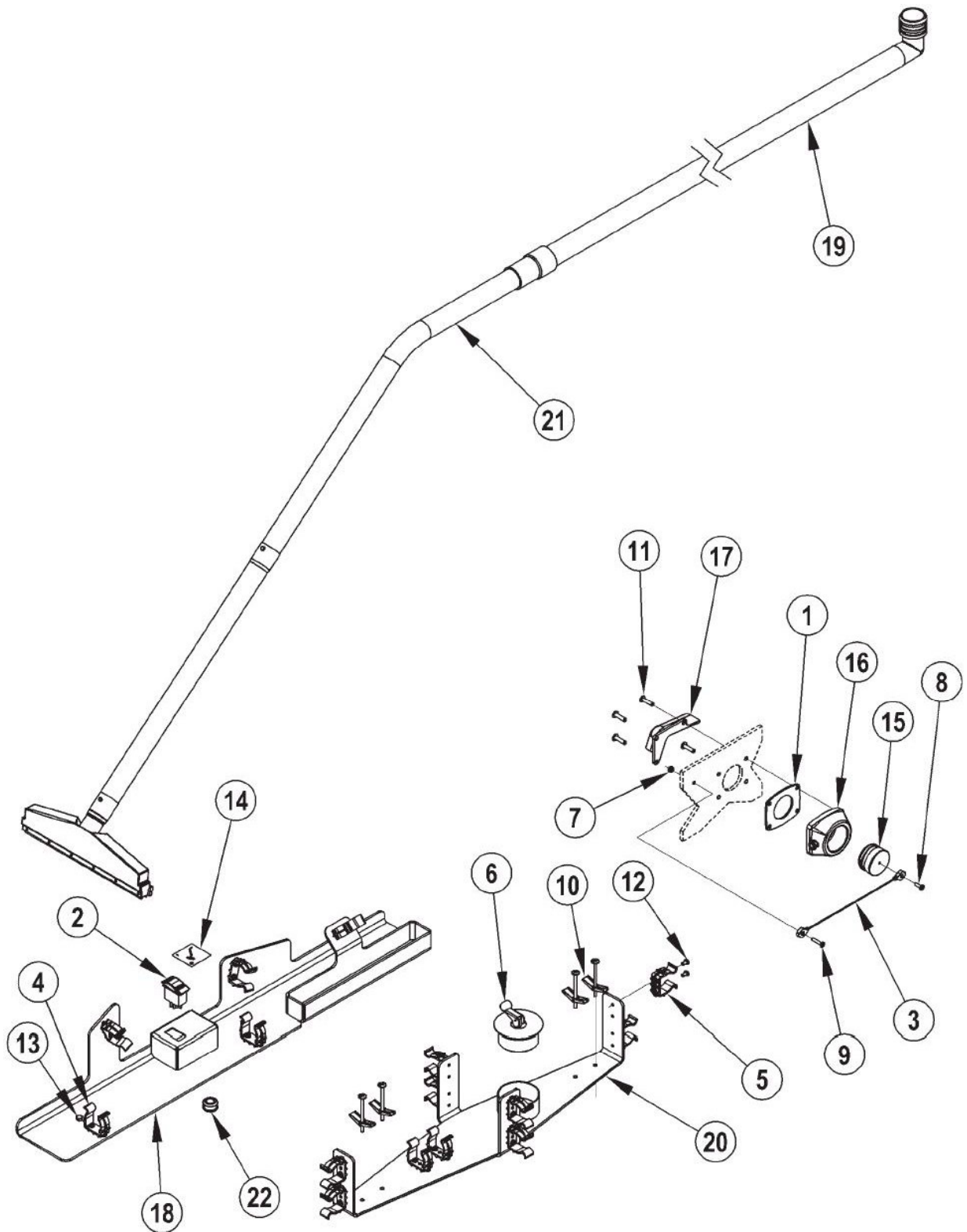
[1] - PRUNED ACCESSORY



| Pos. | Artikel-Nr. | Menge | Variante | Notes |
|------|-------------|-------|---------------------------|-------|
| 00 | 56305628 | 1 | Motorlicht | [1] |
| 01 | 56002192 | 5 | SCR PAN HD PHIL 10-24X.75 | |
| 02 | 56002832 | 5 | 6-Kt Mutter Nylon | |
| 03 | 56172017 | 3 | P-CLIP E00129 | |
| 04 | 56305626 | 1 | BRACKET LIGHT MOUNT | [2] |
| 05 | 56305627 | 1 | TROUBLE LAMP | [3] |

Part Notes:

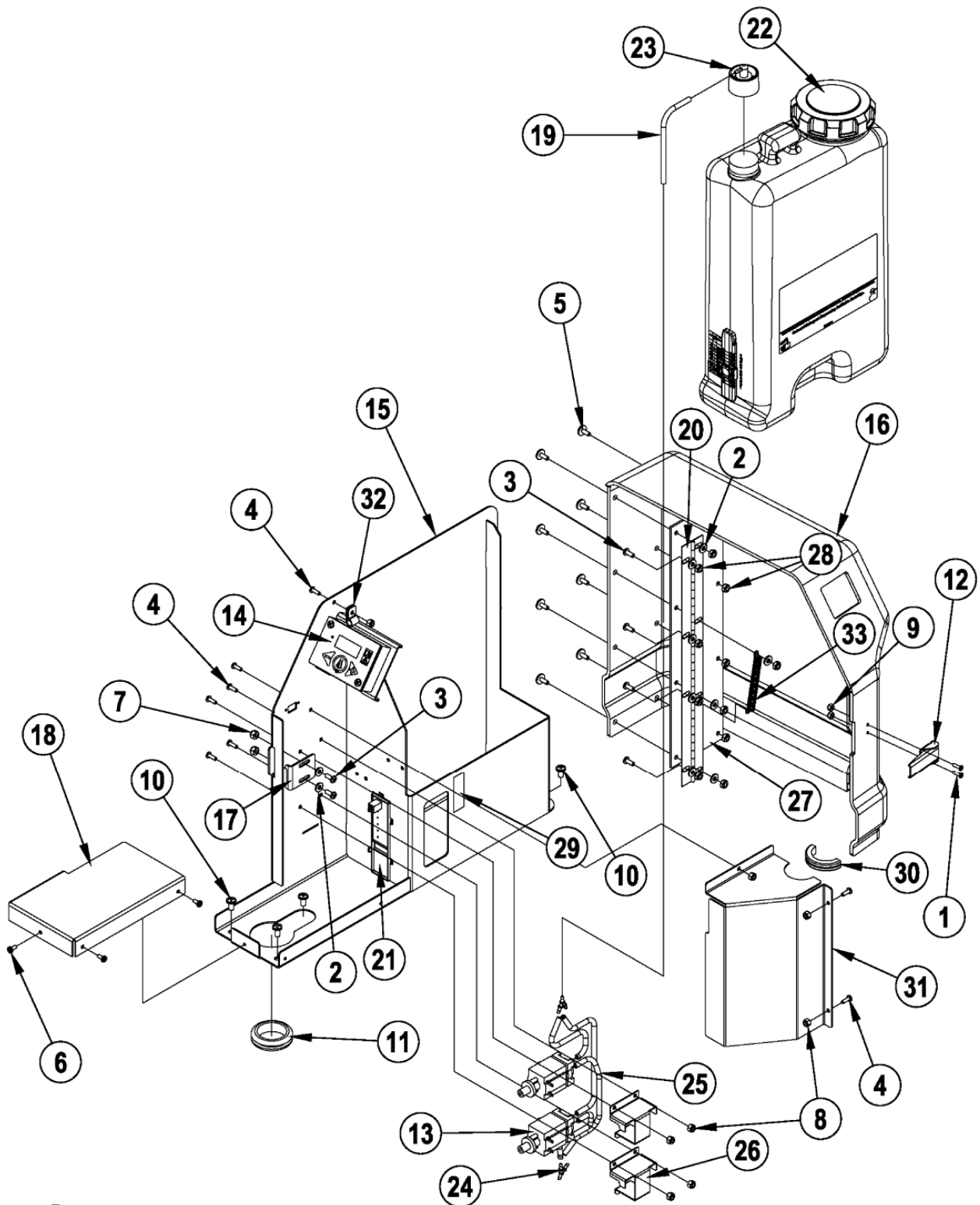
- [1] - PRUNED ACCESSORY
- [2] - EXPIRED NO REPLACEMENT
- [3] - NO LONGER AVAILABLE



| Pos. | Artikel-Nr. | Menge | Variante | Notes |
|------|-------------|-------|---------------------------|-------|
| 00 | 56305530 | 1 | Nass-Saug-Set | |
| 01 | 56201390 | 1 | Dichtung HP2 | [1] |
| 02 | 56209321 | 1 | Schalter zu GW 1030 | |
| 03 | 56325240 | 1 | KABEL COMPL. | |
| 04 | 56392171 | 5 | Klammer BR 1000 | |
| 05 | 56407361 | 10 | Plastikklammer zu BR 850 | |
| 06 | 56462703 | 1 | ABLASSZAPFEN | [2] |
| 07 | 56002849 | 1 | NUT HEX NYL LOC-THIN SS10 | |
| 08 | 56002896 | 1 | Schraube SS10-24X0 | |
| 09 | 56002917 | 1 | Schraube FLT PHIL SS10-24 | |
| 10 | 56003676 | 4 | BOLT TOGGLE .25 X 3.00 | |
| 11 | 56009006 | 4 | Schraube | |
| 12 | 56009030 | 30 | Schraube 10-2 | |
| 13 | 56009033 | 2 | Schraube 1/4-20X1 2HP 5 | |
| 14 | 56015253 | 1 | DECAL WAND | |
| 15 | 56456078 | 1 | PLUG | [3] |
| 16 | 56205821 | 1 | CONNECTOR ASSEMBLY | |
| 17 | 56205829 | 1 | Deflektor | [4] |
| 18 | 56305529 | 1 | WAND MOUNT WELDMENT | |
| 19 | 56305539 | 1 | HOSE ASSEMBLY | |
| 20 | 56305540 | 1 | HOSE MOUNT WELDMENT | |
| 21 | 56305605 | 1 | Bodendüse m. Lanze | |
| 22 | 56453254 | 1 | GROMMET E00059 | |

Part Notes:

- [1] - STOCK COVERS GUARANTEE
- [2] - EXPIRED NO REPLACEMENT
- [3] - EXPIRED ON 2/01/2013
- [4] - SEE PI 2017-002



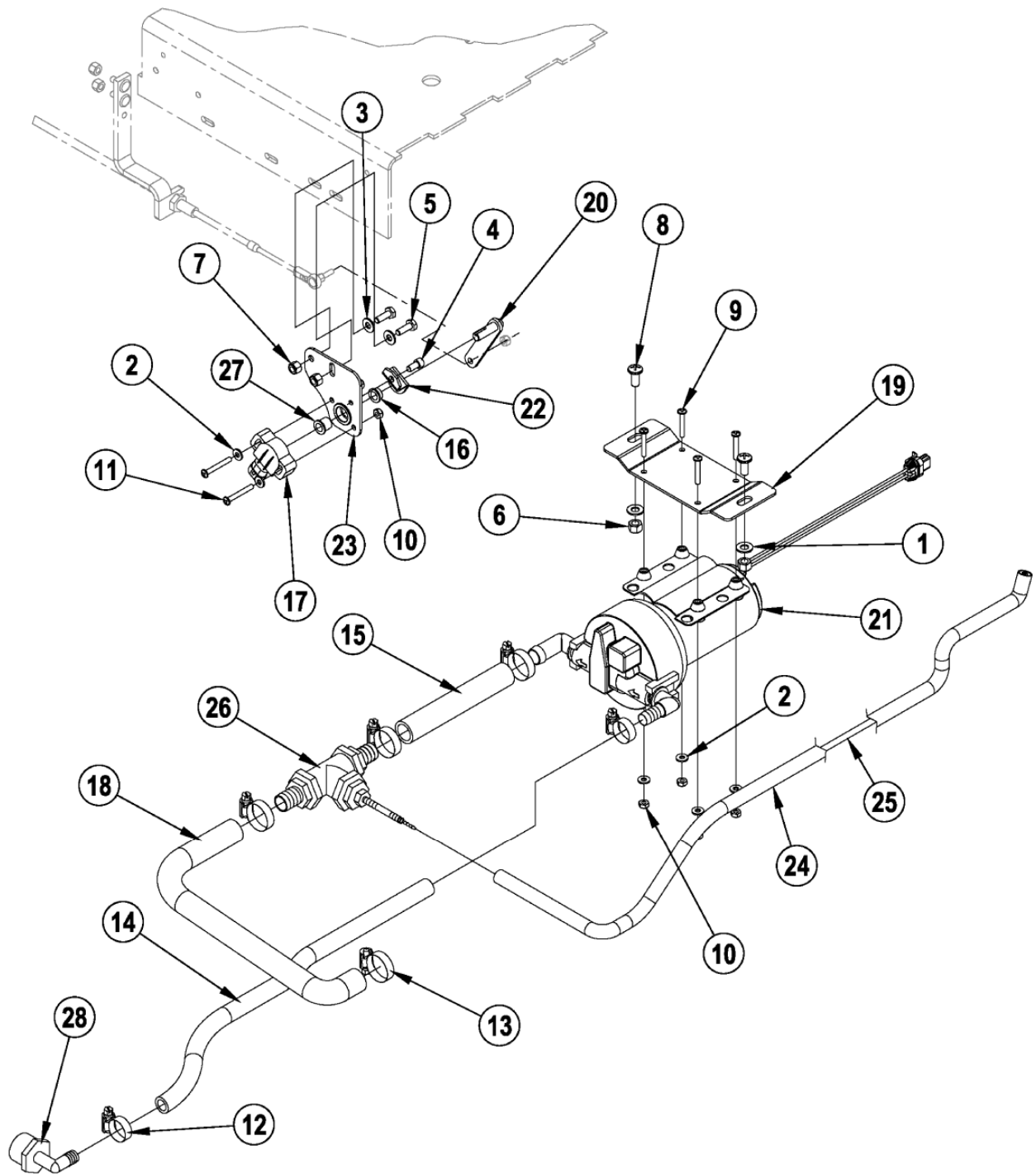
Resource notes:

NOTE 1: Latch 56109591 is the replacement for Latch 56054856. To replace a 56054856 Latch; remove the old latch, line up the new latch 56109591 with the catch, use the latch as a template to mark and drill the new mounting holes, assemble the new latch with the existing mounting hardware. Pos. 100-110= Items included with 56306138 Chemical Injection Kit

| Pos. | Artikel-Nr. | Menge | Variante | Notes |
|------|-------------|-------|---------------------------------|-------|
| | 56306125 | 1 | CONTROL BOX ASSY 12 VDC | [1] |
| 01 | 56001830 | 2 | SCR PAN PHIL 6-32 X .50 | |
| 02 | 56001954 | 10 | WSH FLT SAE 10 | |
| 03 | 56001993 | 6 | SCR PAN HD PHIL 10-24X.50 | |
| 04 | 56002003 | 8 | SCR PAN PHIL 8-32 X .50 | |
| 05 | 56009100 | 8 | SCR PANPHILT HD BLK 10-24 | |
| 06 | 56002523 | 3 | SCR PAN HD PHIL HP5 8-32 X .38 | |
| 07 | 56002768 | 2 | 1/4-20 NYLOC NUT | |
| 08 | 56002808 | 8 | NUT HEX NYLOC 8-32 | |
| 09 | 56002830 | 2 | NUT HEX NYL LOC 6-32 | |
| 10 | 56009033 | 5 | Schraube 1/4-20X1 2HP 5 | |
| 100 | 56306125 | 1 | CONTROL BOX ASSY 12 VDC | [2] |
| 101 | 56306149 | 1 | PUMP ASSY 12 VDC | [3] |
| 103 | 56306166 | 1 | HARNESS IC CAPTOR AXP | [4] |
| 104 | 56418387 | 1 | Relais, SPDT | [5] |
| 105 | 56387316 | 1 | Schütz 10A | [6] |
| 106 | 56459367 | 1 | Abdeckung Rückstellknopf5015 | [4] |
| 107 | 56009063 | 1 | SCR HEX THD FORM 10-24X .25 | [4] |
| 108 | 56459825 | 1 | Reduzierung | [4] |
| 109 | 56306179 | 2 | DECAL CR1200 EDS | [4] |
| 11 | 56054715 | 1 | GROMMET E00059 | |
| 110 | 56306180 | 2 | DECAL CR1400 EDS | [4] |
| 12 | 56109591 | 1 | LATCH | [7] |
| 13 | 56110742 | 2 | Chemie Pumpe 2 | |
| 14 | 56111400 | 1 | AXP Steuerung | |
| 15 | 56306124 | 1 | BOX WELDMENT CHEMICAL | |
| 16 | 56306133 | 1 | COVER CHEMICAL INJECTION | |
| 17 | 56306147 | 1 | CATCH | |
| 18 | 56306148 | 1 | COVER | |
| 19 | 56306169 | 1 | HOSE CHEM RESISTANT 17.00 | |
| 20 | 56306181 | 1 | HINGE | |
| 21 | 56315340 | 1 | Chemiesensor | |
| 22 | 56315690 | 1 | CAP 38MM BUTTRESS | [4] |
| 22 | 56413784 | 1 | Einsatzstück | [4] |
| 22 | 9100001817 | 1 | CAP PLASTIC F CHEMICAL TANK SIP | [4] |
| 22 | 56413999 | 1 | EDS-Behälter | |
| 22 | 56413119 | 1 | Behälter,Reinigungsmittel | [4] |
| 23 | 56315523 | 1 | Deckel EDS-Schwimmer | |
| 24 | 56413691 | 2 | Fitting Verzweigung | |
| 25 | 56413693 | 4 | Schlauch Chemieresistent | |
| 26 | 56413775 | 2 | BRACKET PUMP MOUNT | |
| 27 | 56306191 | 1 | PLATE REINFORCING | |
| 28 | 56002832 | 12 | 6-Kt Mutter Nylon | |
| 29 | 56016331 | 1 | DECAL CHEMICAL RATIO | |
| 30 | 56344621 | 1 | GROMMET 1.500 E00059 | |
| 31 | 56306198 | 1 | PUMP COVER | |
| 32 | 56300152 | 1 | CLAMP CORD HA510B | [1] |
| 33 | 56397301 | 1 | HOSE PVC E00552 | |
| 33 | 56478246 | 1 | CABLE TIE E00549 RE438BA | [4] |

Part Notes:

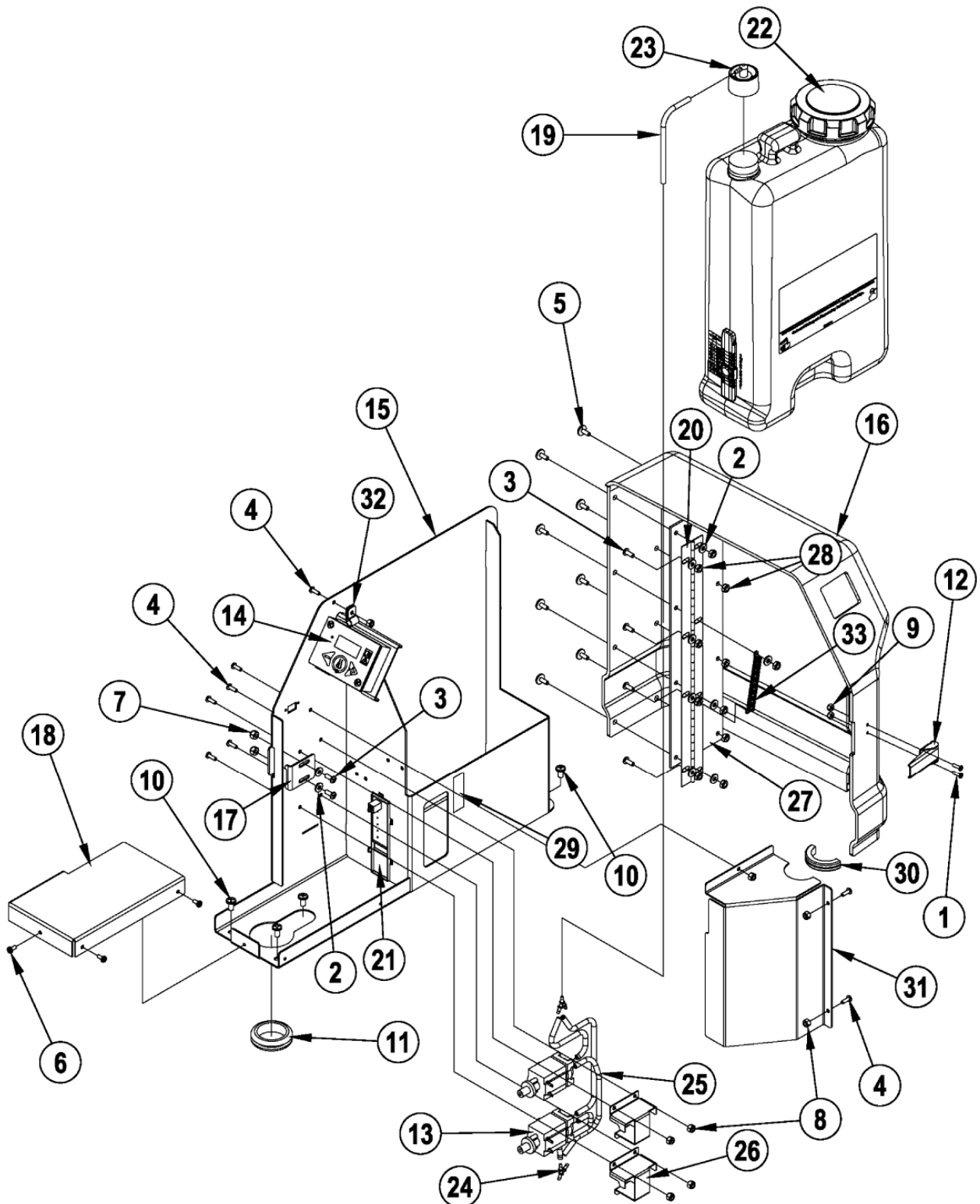
- [1] - SEE PI 2017-002
- [2] - NOT SHOWN
SEE PI 2017-002
- [3] - NOT SHOWN
NON-SALEABLE USE 56306140
- [4] - NOT SHOWN
- [5] - K6 - NOT SHOWN
- [6] - F8 - NOT SHOWN
- [7] - NOTE 1



| Pos. | Artikel-Nr. | Menge | Variante | Notes |
|------|-------------|-------|----------------------------|-------|
| | 56306149 | 1 | PUMP ASSY 12 VDC | [1] |
| 01 | 56001939 | 2 | Flachdichtung 5/16 | |
| 02 | 56001954 | 6 | WSH FLT SAE 10 | |
| 03 | 56002098 | 2 | Scheibe | |
| 04 | 56002115 | 1 | SCR SOC HD 1/4-20 X .50 | |
| 05 | 56002155 | 2 | SCR HEX 1/4-20 X .75 | |
| 06 | 56002701 | 2 | MUTTER 5-16-18 HEX JAM | |
| 07 | 56002708 | 2 | Stopmutter 1/4-20 | |
| 08 | 56002793 | 2 | Schraube PAN PHIL 5/16-18 | |
| 09 | 56002824 | 4 | SCR PAN PHIL 10-24X1.25 | |
| 10 | 56002832 | 6 | 6-Kt Mutter Nylon | |
| 11 | 56003574 | 2 | SCR PAN PHIL SS 10-24X1.50 | |
| 12 | 56219932 | 2 | Briede | |
| 13 | 56244969 | 4 | Schlauch-Briede | |
| 14 | 56412277 | 1 | Schlauch f. Frischwasser- | |
| 15 | 56305762 | 1 | Schlauch | |
| 16 | 56303285 | 1 | Lager, FI .500x.375x.250 | |
| 17 | 56303313 | 1 | Sensor f. Fahrpedal | [2] |
| 18 | 56305591 | 1 | HOSE SPIRAL .750 E00605 | |
| 19 | 56306122 | 1 | MOUNT PUMP | |
| 20 | 56306129 | 1 | CONTROL ARM WELDT | |
| 21 | 56306140 | 1 | Pumpe 12V / 60PSI | [3] |
| 22 | 56306162 | 1 | BRACKET PIVOT | |
| 23 | 56306165 | 1 | PIVOT SENSOR WELT | |
| 24 | 56306168 | 1 | CONDUIT SOLUTION HOSE 44LG | |
| 25 | 56314942 | 1 | Schlauch | |
| 26 | 56306194 | 1 | T-Stück | |
| 27 | 56508737 | 1 | Lager | |
| 28 | 56900245 | 1 | BARB ELBOW E00037 | |

Part Notes:

- [1] - NON-SALEABLE USE 56306140
- [2] - (R4)
- [3] - (M6)



Resource notes:

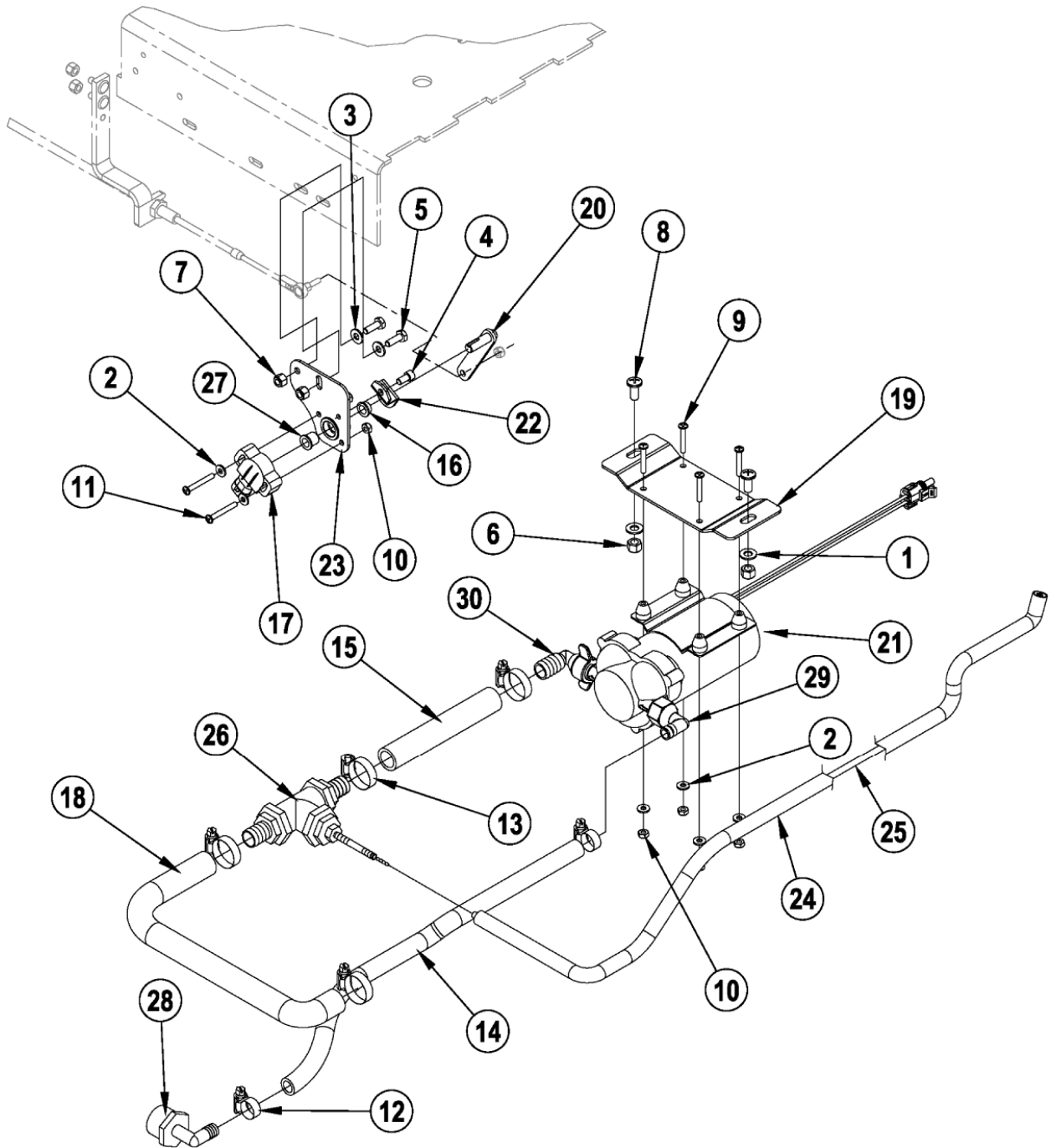
NOTE 1: Latch 56109591 is the replacement for Latch 56054856. To replace a 56054856 Latch; remove the old latch, line up the new latch 56109591 with the catch, use the latch as a template to mark and drill the new mounting holes, assemble the new latch with the existing mounting hardware. Pos. 100-113: Items included with 56306145 Chemical Injection Kit

| Pos. | Artikel-Nr. | Menge | Variante | Notes |
|------|-------------|-------|---------------------------------|-------|
| | 56306197 | 1 | Steuerkasten | [1] |
| 01 | 56001830 | 2 | SCR PAN PHIL 6-32 X .50 | |
| 02 | 56001954 | 10 | WSH FLT SAE 10 | |
| 03 | 56001993 | 6 | SCR PAN HD PHIL 10-24X.50 | |
| 04 | 56002003 | 8 | SCR PAN PHIL 8-32 X .50 | |
| 05 | 56009100 | 8 | SCR PANPHILT HD BLK 10-24 | |
| 06 | 56002523 | 3 | SCR PAN HD PHIL HP5 8-32 X .38 | |
| 07 | 56002768 | 2 | 1/4-20 NYLOC NUT | |
| 08 | 56002808 | 8 | NUT HEX NYLOC 8-32 | |
| 09 | 56002830 | 2 | NUT HEX NYL LOC 6-32 | |
| 10 | 56009033 | 5 | Schraube 1/4-20X1 2HP 5 | |
| 100 | 56306197 | 1 | Steuerkasten | [2] |
| 101 | 56306160 | 1 | PUMP ASSY 36 VDC | [3] |
| 103 | 56306167 | 1 | Kabelbaum Batterie | [3] |
| 104 | 56387316 | 1 | Schütz 10A | [4] |
| 105 | 56459367 | 1 | Abdeckung Rückstellknopf5015 | [4] |
| 106 | 56009039 | 1 | SCHRAUBE 1/4-20X1-1/2 | [4] |
| 107 | 56303588 | 1 | PLATE CIRCUIT BREAKER MOUNT | [3] |
| 108 | 56303589 | 1 | DECAL CIRCUIT BREAKER | [3] |
| 109 | 56051474 | 1 | CLAMP. P E00129 | [4] |
| 11 | 56054715 | 1 | GROMMET E00059 | |
| 110 | 56305232 | 1 | GASKET | [4] |
| 111 | 56459825 | 1 | Reduzierung | [4] |
| 112 | 56306179 | 2 | DECAL CR1200 EDS | [4] |
| 113 | 56306180 | 2 | DECAL CR1400 EDS | [4] |
| 12 | 56109591 | 1 | LATCH | [5] |
| 13 | 56110742 | 2 | Chemie Pumpe 2 | |
| 14 | 56306195 | 1 | AXP CONTROL ASSY 36V | |
| 15 | 56306124 | 1 | BOX WELDMENT CHEMICAL | |
| 16 | 56306133 | 1 | COVER CHEMICAL INJECTION | |
| 17 | 56306147 | 1 | CATCH | |
| 18 | 56306148 | 1 | COVER | |
| 19 | 56306169 | 1 | HOSE CHEM RESISTANT 17.00 | |
| 20 | 56306181 | 1 | HINGE | |
| 21 | 56315340 | 1 | Chemiesensor | |
| 22 | 56413784 | 1 | Einsatzstück | [4] |
| 22 | 56315690 | 1 | CAP 38MM BUTTRESS | [4] |
| 22 | 9100001817 | 1 | CAP PLASTIC F CHEMICAL TANK SIP | [4] |
| 22 | 56413119 | 1 | Behälter,Reinigungsmittel | [4] |
| 22 | 56413999 | 1 | EDS-Behälter | |
| 23 | 56315523 | 1 | Deckel EDS-Schwimmer | |
| 24 | 56413691 | 2 | Fitting Verzweigung | |
| 25 | 56413693 | 4 | Schlauch Chemieresistent | |
| 26 | 56413775 | 2 | BRACKET PUMP MOUNT | |
| 27 | 56306191 | 1 | PLATE REINFORCING | |
| 28 | 56002832 | 12 | 6-Kt Mutter Nylon | |
| 29 | 56016331 | 1 | DECAL CHEMICAL RATIO | |
| 30 | 56344621 | 1 | GROMMET 1.500 E00059 | |
| 31 | 56306198 | 1 | PUMP COVER | |
| 32 | 56300152 | 1 | CLAMP CORD HA510B | [6] |
| 33 | 56478246 | 1 | CABLE TIE E00549 RE438BA | [4] |
| 33 | 56379301 | 1 | SPRING EXT .37X3.62CR211J | |

Part Notes:

- [1] - NO LONGER AVAILABLE
 [2] - NOT SHOWN
 NO LONGER AVAILABLE
 [3] - NOT SHOWN
 SEE PI 2017-002
 [4] - NOT SHOWN

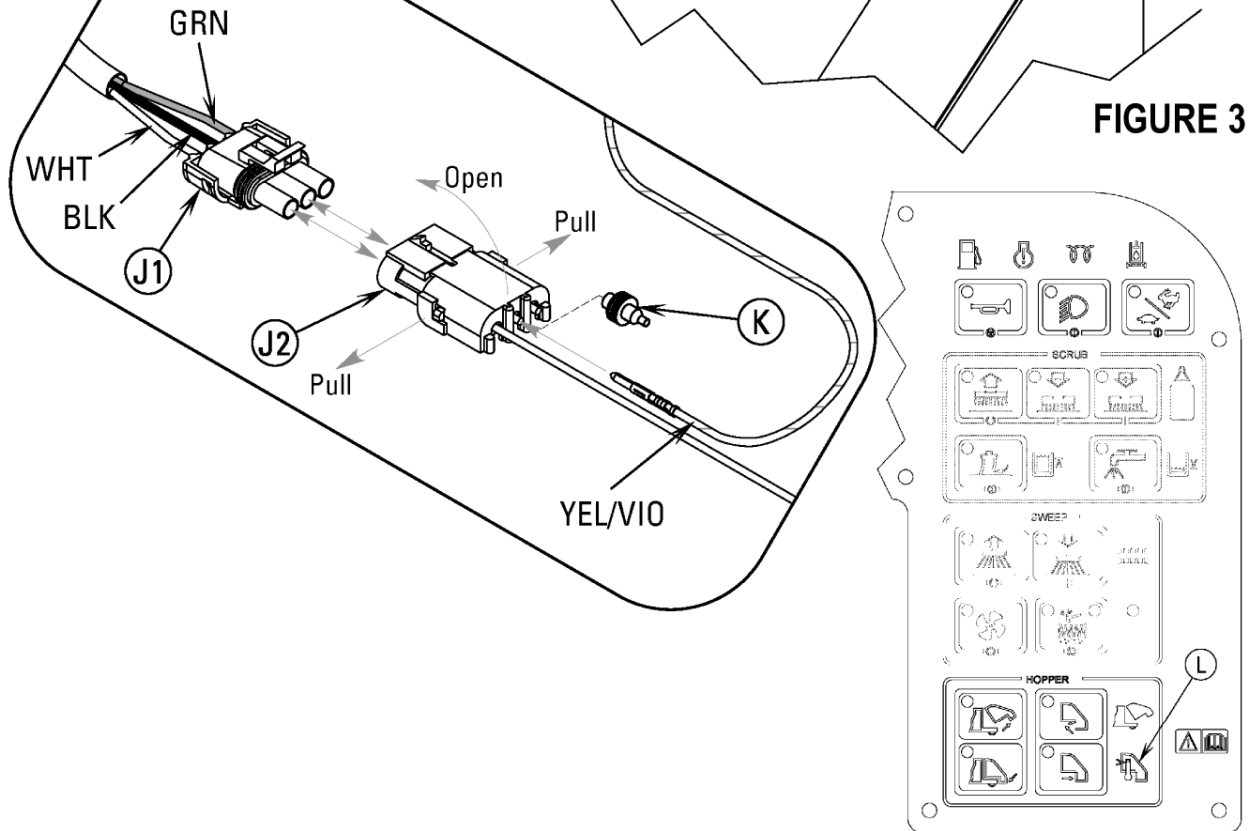
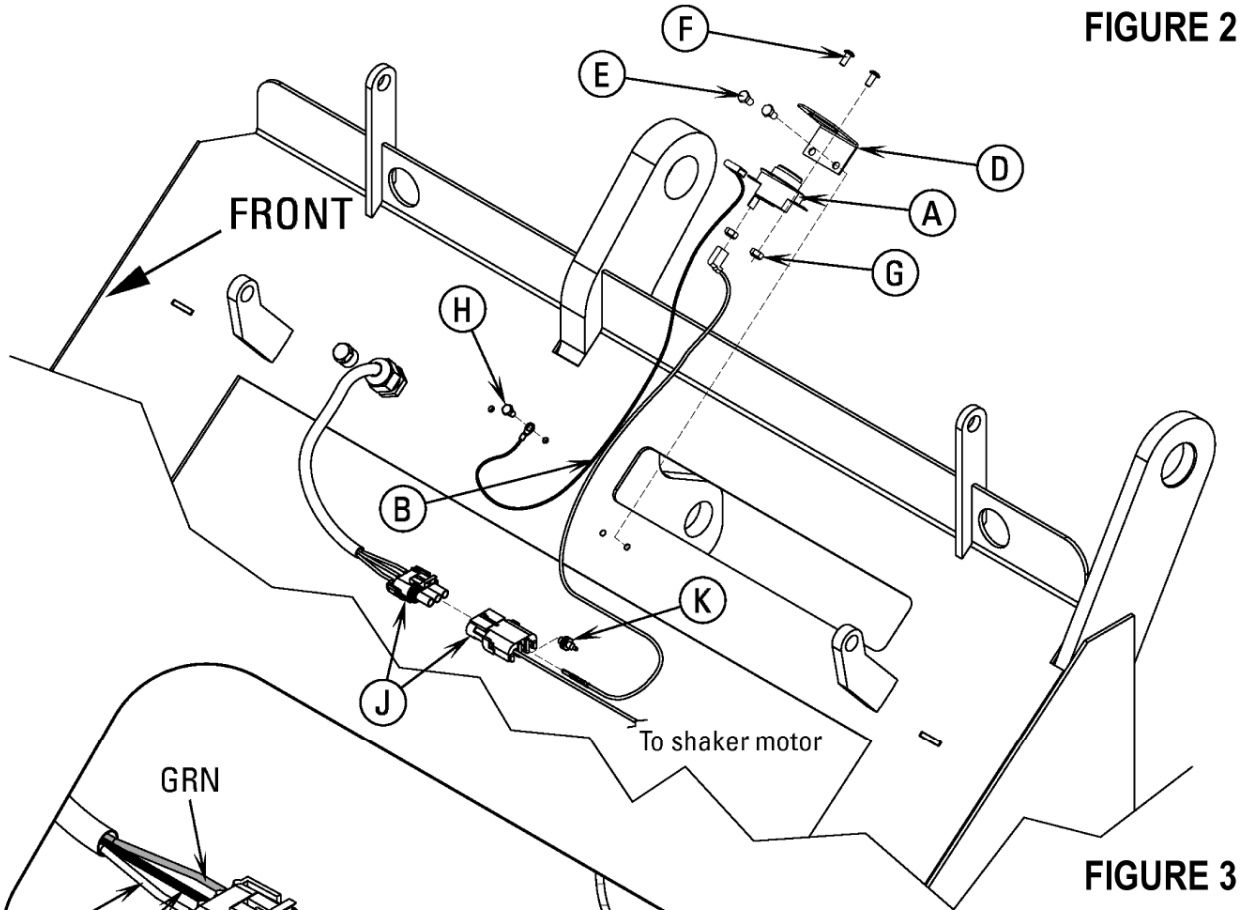
- [5] - NOTE 1
- [6] - SEE PI 2017-002



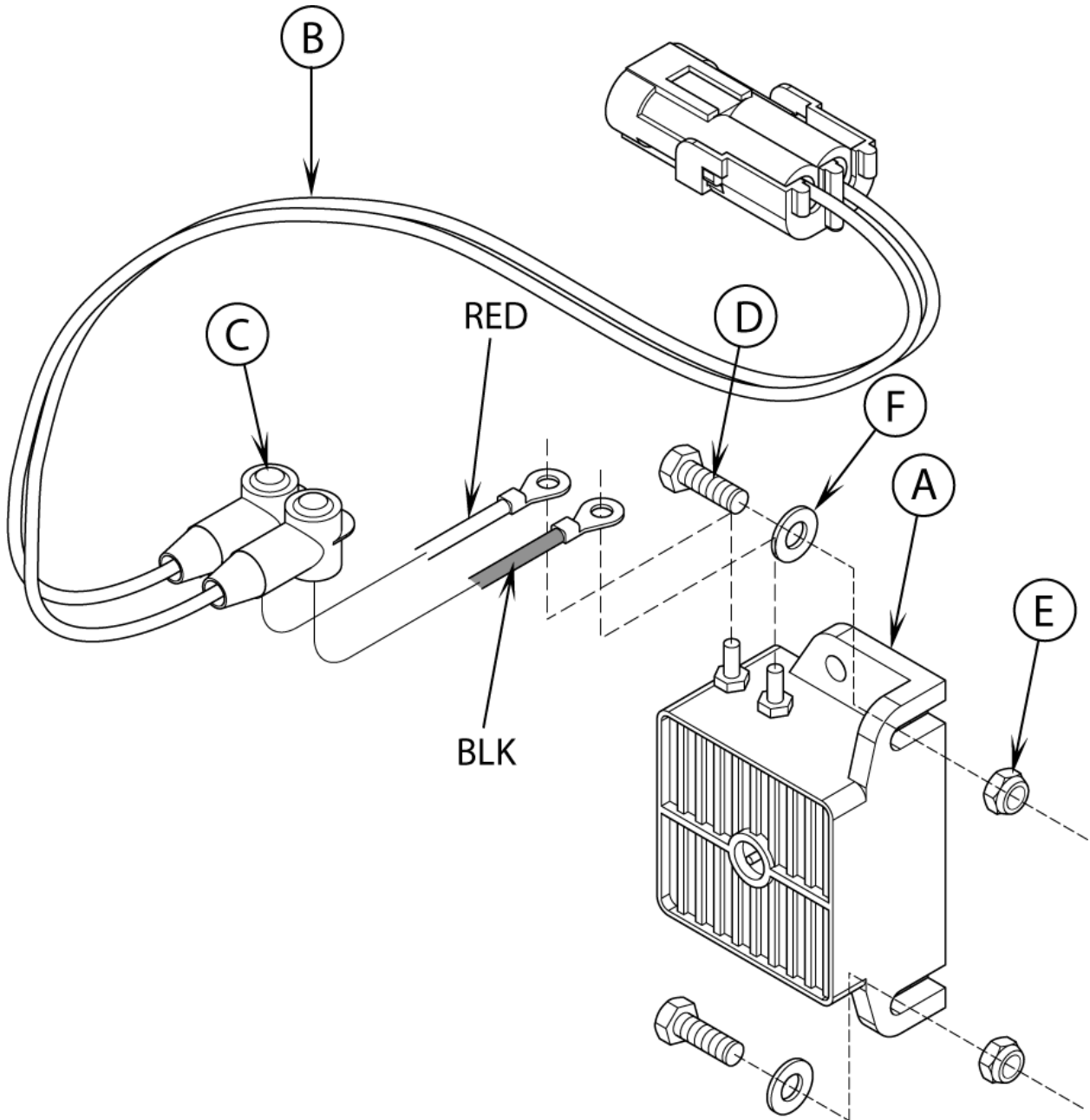
| Pos. | Artikel-Nr. | Menge | Variante | Notes |
|------|-------------|-------|----------------------------|-------|
| | 56306160 | 1 | PUMP ASSY 36 VDC | [1] |
| 01 | 56001939 | 2 | Flachdichtung 5/16 | |
| 02 | 56001954 | 6 | WSH FLT SAE 10 | |
| 03 | 56002098 | 2 | Scheibe | |
| 04 | 56002115 | 2 | SCR SOC HD 1/4-20 X .50 | |
| 05 | 56002155 | 2 | SCR HEX 1/4-20 X .75 | |
| 06 | 56002701 | 2 | MUTTER 5-16-18 HEX JAM | |
| 07 | 56002708 | 2 | Stopmutter 1/4-20 | |
| 08 | 56002793 | 2 | Schraube PAN PHIL 5/16-18 | |
| 09 | 56002824 | 4 | SCR PAN PHIL 10-24X1.25 | |
| 10 | 56002832 | 6 | 6-Kt Mutter Nylon | |
| 11 | 56003574 | 2 | SCR PAN PHIL SS 10-24X1.50 | |
| 12 | 56219932 | 2 | Briede | |
| 13 | 56244969 | 4 | Schlauch-Briede | |
| 14 | 56412277 | 1 | Schlauch f. Frischwasser- | |
| 15 | 56305762 | 1 | Schlauch | |
| 16 | 56303285 | 1 | Lager, FI .500x.375x.250 | |
| 17 | 56303313 | 1 | Sensor f. Fahrpedal | [2] |
| 18 | 56305591 | 1 | HOSE SPIRAL .750 E00605 | |
| 19 | 56306122 | 1 | MOUNT PUMP | |
| 20 | 56306129 | 1 | CONTROL ARM WELDT | |
| 21 | 56413810 | 1 | Pumpe 36 V BR 1300 S | [3] |
| 22 | 56306162 | 1 | BRACKET PIVOT | |
| 23 | 56306165 | 1 | PIVOT SENSOR WELT | |
| 24 | 56306168 | 1 | CONDUIT SOLUTION HOSE 44LG | |
| 25 | 56314942 | 1 | Schlauch | |
| 26 | 56306194 | 1 | T-Stück | |
| 27 | 56508737 | 1 | Lager | |
| 28 | 56900245 | 1 | BARB ELBOW E00037 | |
| 29 | 56261246 | 1 | Schlauchwinkel | |
| 30 | 56306146 | 1 | ELBOW POLY 1/2 X 3/4 | |

Part Notes:

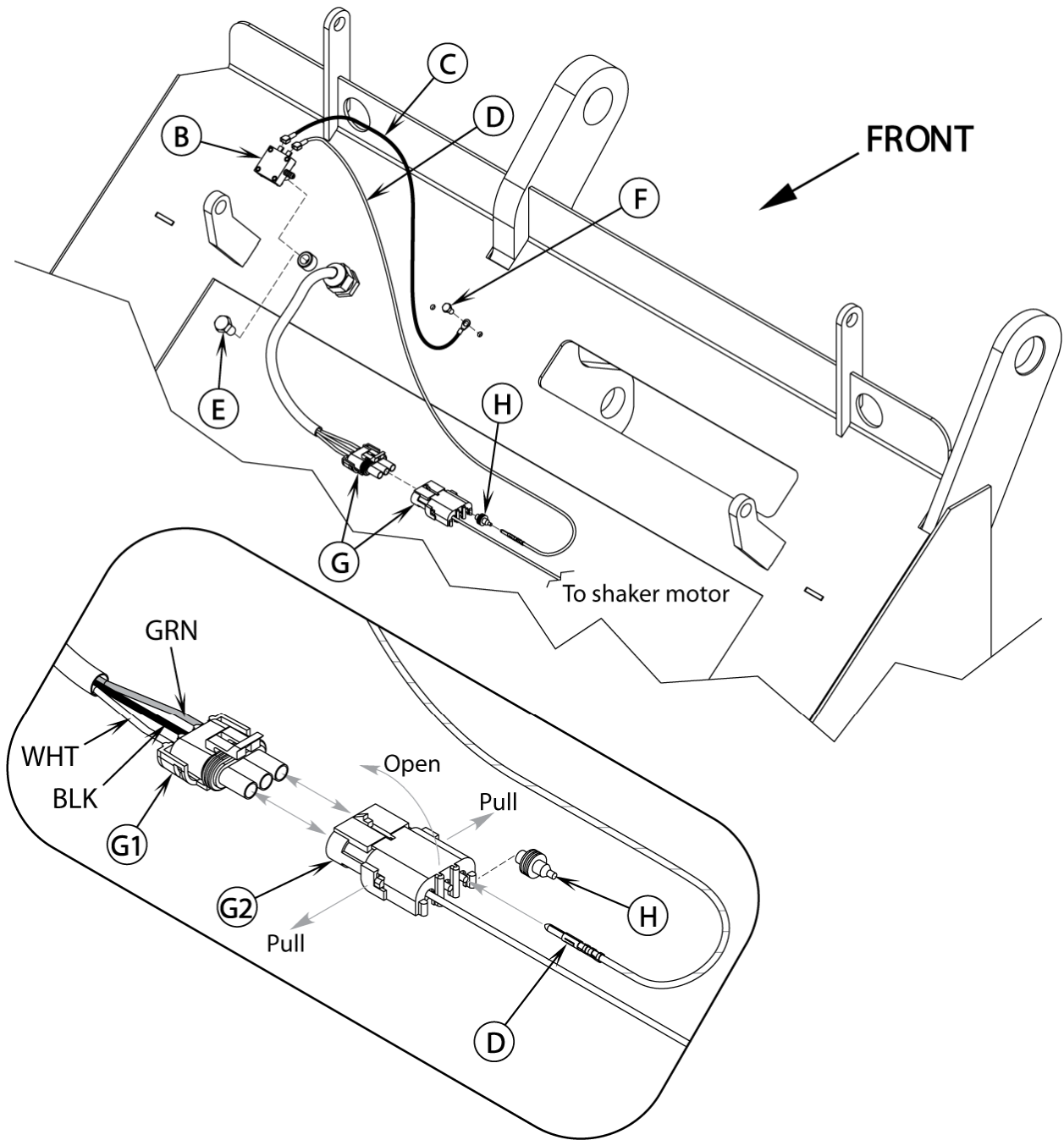
- [1] - SEE PI 2017-002
 [2] - (R2)
 [3] - (M17)



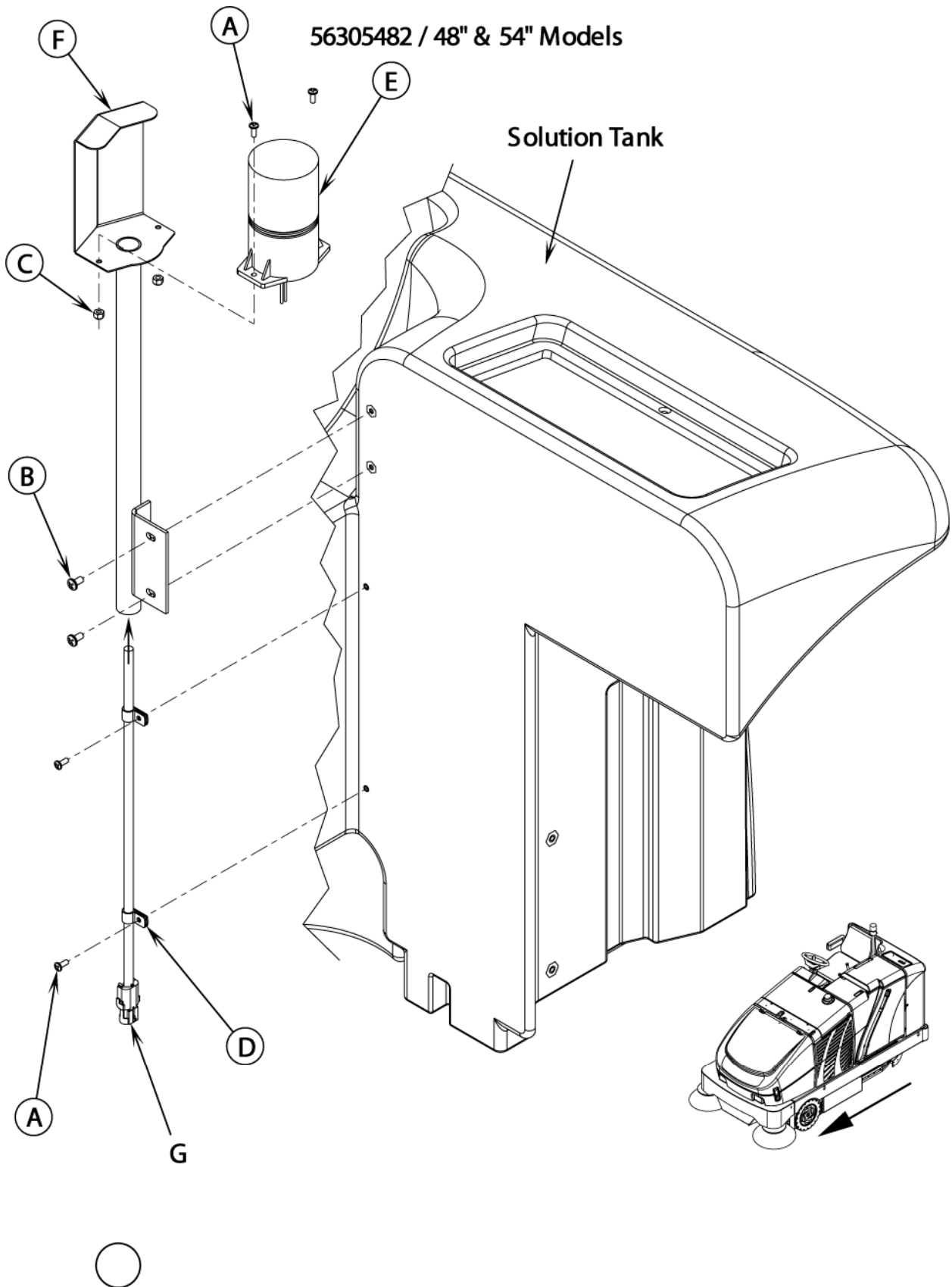
| Pos. | Artikel-Nr. | Menge | Variante | Notes |
|------|-------------|-------|---------------------------------------|-------|
| | 56305509 | 1 | Temperaturschalter f. Kehrgutbehälter | |
| 0A | 56418405 | 1 | Thermoschalter CR 1400 | |
| 0B | 56304760 | 1 | HARNESS TEMPERATURE SWITCH | |
| 0C | 56478246 | 2 | CABLE TIE E00549 RE438BA | |
| 0D | 56418440 | 1 | BRACKET | |
| 0E | 56009012 | 2 | Schraube 10-24 x 3/8Siehe 56009039 | |
| 0F | 56001818 | 2 | SCR PAN PHIL 8-32 X .38 | |
| 0G | 56002865 | 2 | NUT HEX NYL LOC-THIN 8-32 | |



| Pos. | Artikel-Nr. | Menge | Variante | Notes |
|------|-------------|-------|-------------------------|-------|
| | 56305519 | 1 | Rückfahralarm | |
| 0A | 56409232 | 1 | Fahrerschutzdach | |
| 0B | 56409495 | 1 | Anschlußkabel | |
| 0C | 56409538 | 2 | Isolator | |
| 0D | 56009018 | 2 | SCHRAUBE 1/4-20X3/4 HP5 | |
| 0E | 56002708 | 2 | Stopmutter 1/4-20 | |
| 0F | 56002098 | 2 | Scheibe | |



| Pos. | Artikel-Nr. | Menge | Variante | Notes |
|------|-------------|-------|---|-------|
| | 56305517 | 1 | Steuerungsset f. Filter-Kehrgutbehälter | |
| 0A | 56478246 | 2 | CABLE TIE E00549 RE438BA | |
| 0B | 56305518 | 1 | SWITCH VACUUM | |
| 0C | 56305479 | 1 | BLK 18-9 WIRE ASSEMBLY | |
| 0D | 56305478 | 1 | WHT/GRA 18-2 WIRE ASSEMBLY | |

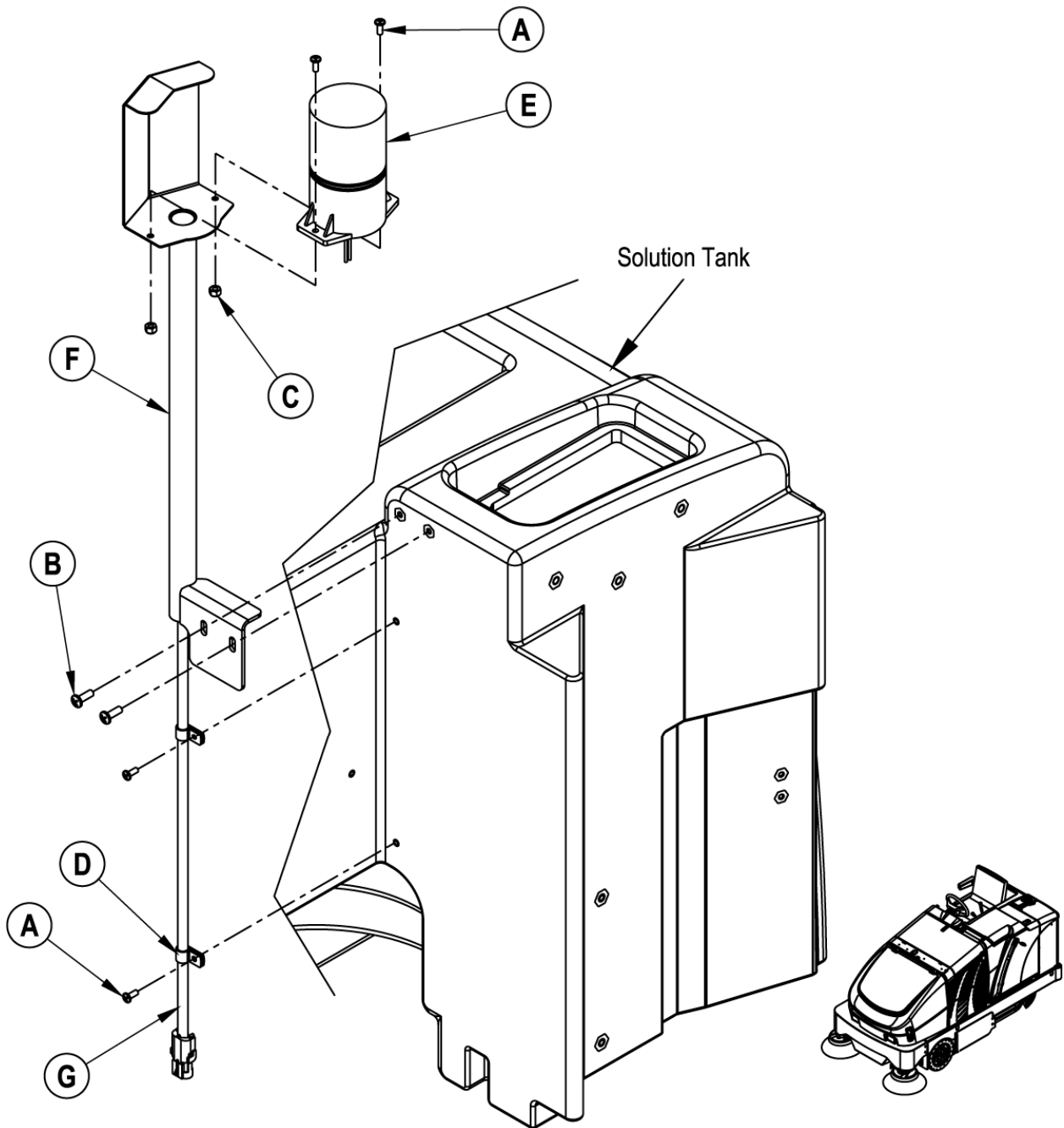


| Pos. | Artikel-Nr. | Menge | Variante | Notes |
|------|-------------|-------|---------------------------|-------|
| | 56305482 | 1 | Warnleuchte | |
| 0A | 56001993 | 4 | SCR PAN HD PHIL 10-24X.50 | |
| 0B | 56002145 | 2 | Schraube 1/4 20x .50 | |
| 0C | 56002768 | 2 | 1/4-20 NYLOC NUT | |
| 0D | 56172017 | 2 | P-CLIP E00129 | |
| 0E | 56305223 | 1 | Rundumleuchte | [1] |
| 0F | 56305481 | 1 | TUBE WELDMENT | |
| 0G | 56305513 | 1 | Schutzrohr für | |

Part Notes:

[1] - EXPIRED USE 56510893

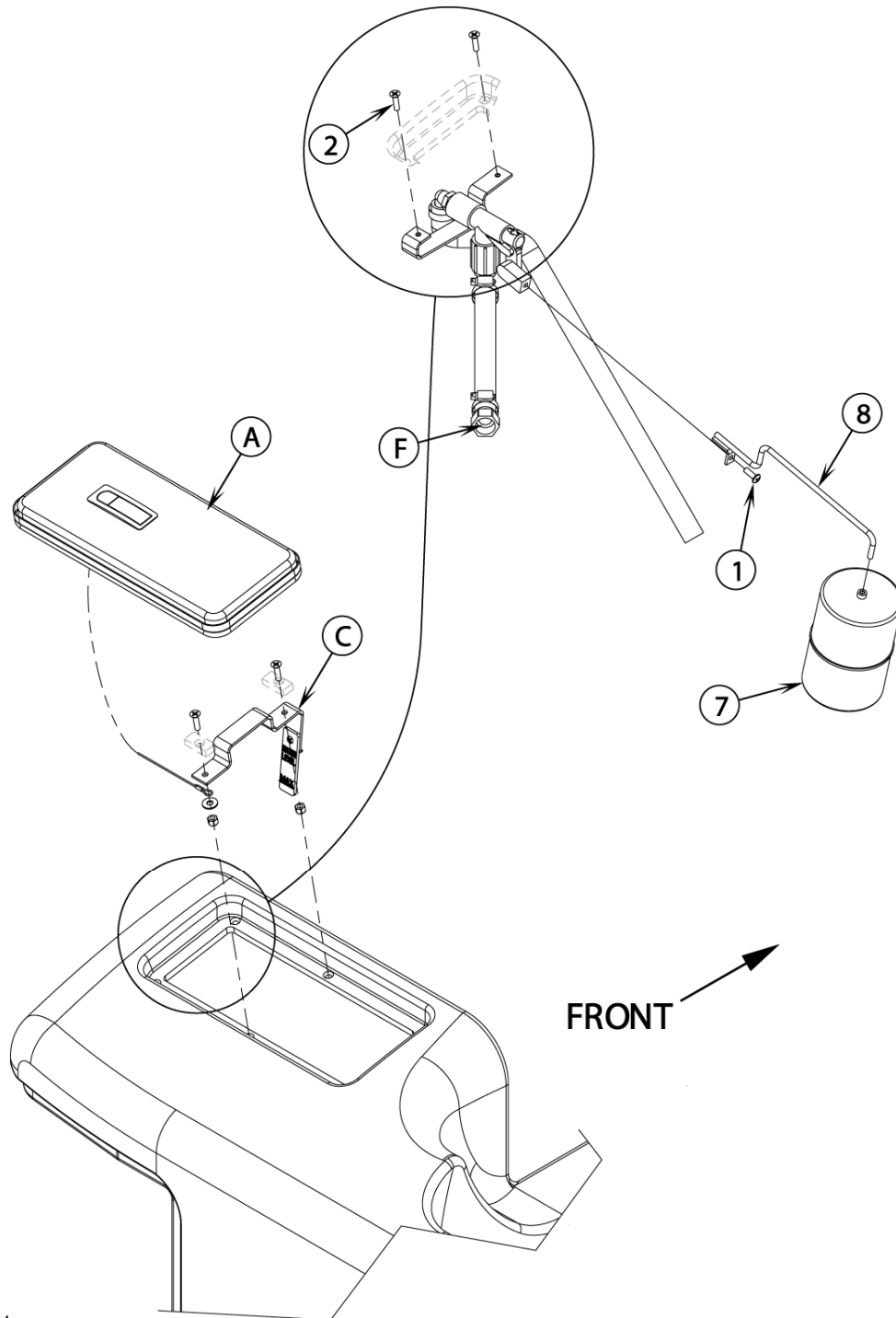
56305881 / 43" Models



| Pos. | Artikel-Nr. | Menge | Variante | Notes |
|------|-------------|-------|---------------------------|-------|
| | 56305881 | 1 | BEACON KIT 60 | |
| 0A | 56001993 | 4 | SCR PAN HD PHIL 10-24X.50 | |
| 0B | 56002145 | 2 | Schraube 1/4 20x .50 | |
| 0C | 56002768 | 2 | 1/4-20 NYLOC NUT | |
| 0D | 56172017 | 2 | P-CLIP E00129 | |
| 0E | 56305223 | 1 | Rundumleuchte | [1] |
| 0F | 56305883 | 1 | BEACON MOUNT WELDMENT 60 | |
| 0G | 56305513 | 1 | Schutzrohr für | |

Part Notes:

[1] - EXPIRED USE 56510893



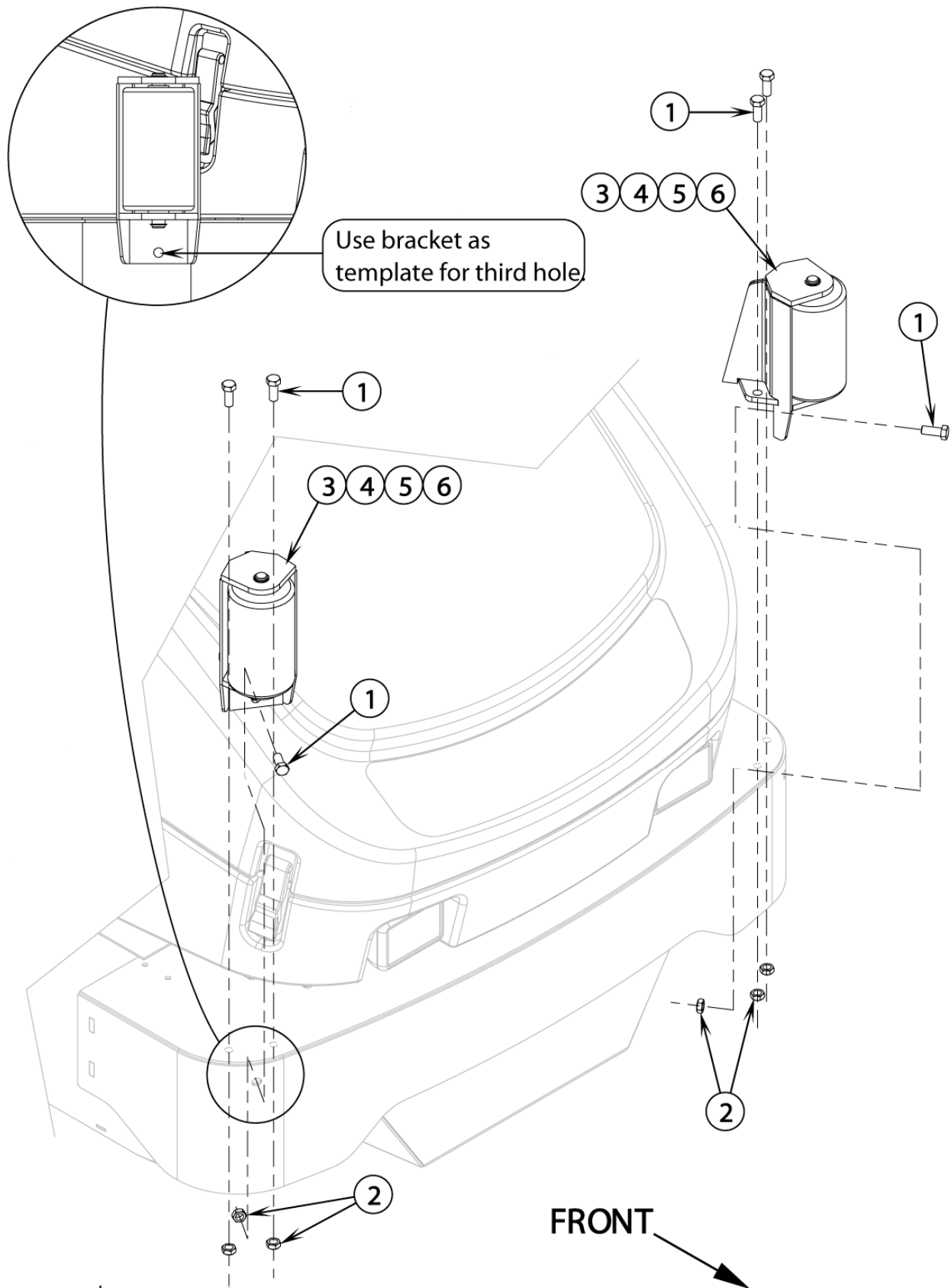
Resource notes:

NOTE 1: All items except (1, 2, 7 & 8) are pre-assembled.

| Pos. | Artikel-Nr. | Menge | Variante | Notes |
|------|-------------|-------|-------------------------|-------|
| | 56305896 | 1 | Füllstandsabschaltung | |
| 01 | 56002957 | 1 | Schraube SS 1/4 - 20 X | |
| 02 | 56003074 | 2 | Schraube FLT PHIL SS | |
| 03 | 56244969 | 3 | Schlauch-Bride | |
| 04 | 56456802 | 2 | Winkelracor | |
| 05 | 56305318 | 1 | HOSE 10.5 SPIRAL E00605 | |
| 06 | 56305566 | 1 | VALVE FLOAT | [1] |
| 07 | 56305572 | 1 | FLOAT 4 X 6 | [2] |
| 08 | 56305586 | 1 | FLOAT ARM WELDMENT | [3] |
| 09 | 56305896 | 1 | Füllstandsabschaltung | |
| 10 | 56305599 | 1 | FITTING GH TO BARB | |
| 11 | 56305636 | 1 | COUPLING 3/4 NPT PVC | [4] |
| 12 | 56459674 | 1 | HOSE SPIRAL E00605 | |

Part Notes:

- [1] - STOCK COVERS GUARANTEE
- [2] - USED IN KIT 56305585
- [3] - NO LONGER AVAILABLE
- [4] - SEE PI 2017-002



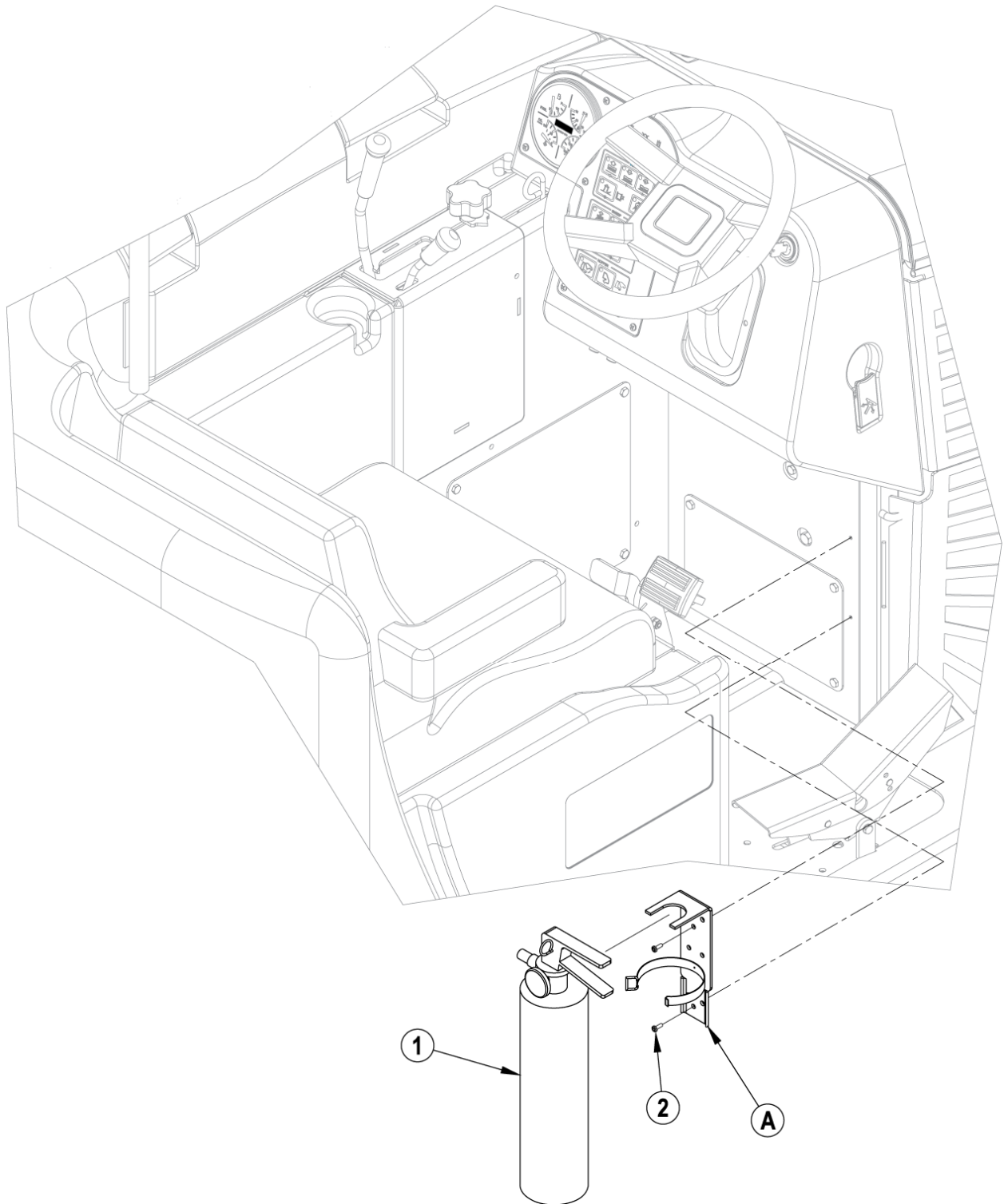
Resource notes:

NOTE: Items 3, 4, 5 & 6 are pre-assembled.

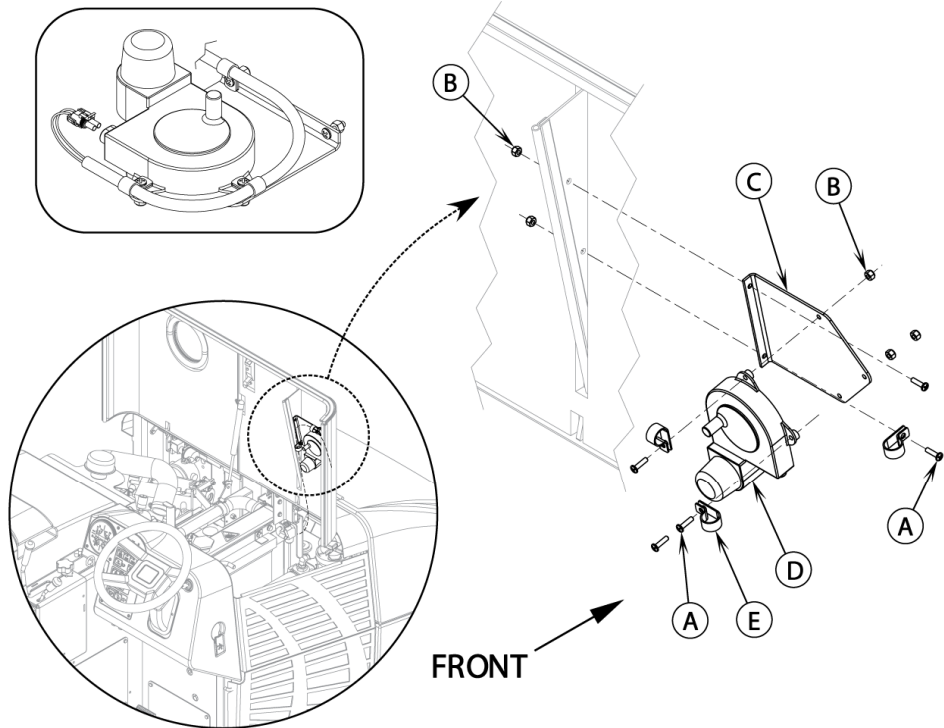
| Pos. | Artikel-Nr. | Menge | Variante | Notes |
|------|-------------|-------|--------------------------------|-------|
| | 56305493 | 1 | Abweisrolle, gross | [1] |
| 01 | 56001831 | 6 | Schraube 1/2-13X1,25 | |
| 02 | 56002843 | 6 | NUT HEX NYL LOC-THIN1/2-1 | |
| 03 | 56003266 | 4 | Sicherungsring | |
| 04 | 56409335 | 2 | BUMPER ROLLER | |
| 05 | 56409336 | 2 | PIN | |
| 06 | 56305332 | 2 | ROLLER BUMPER BRACKET WELDMENT | |

Part Notes:

[1] - PRUNED ACCESSORY



| Pos. | Artikel-Nr. | Menge | Variante | Notes |
|------|-------------|-------|------------------------|-------|
| | 56305621 | 1 | Feuerlöscher | |
| 01 | 8-83-04033 | 1 | Feuerlöscher m. Halter | |
| 02 | 56009019 | 4 | Schraube 1/4-20x.38 | |



© 2004 Printed in USA, Nilfisk-Advance, Inc.

(page 1 of 1)

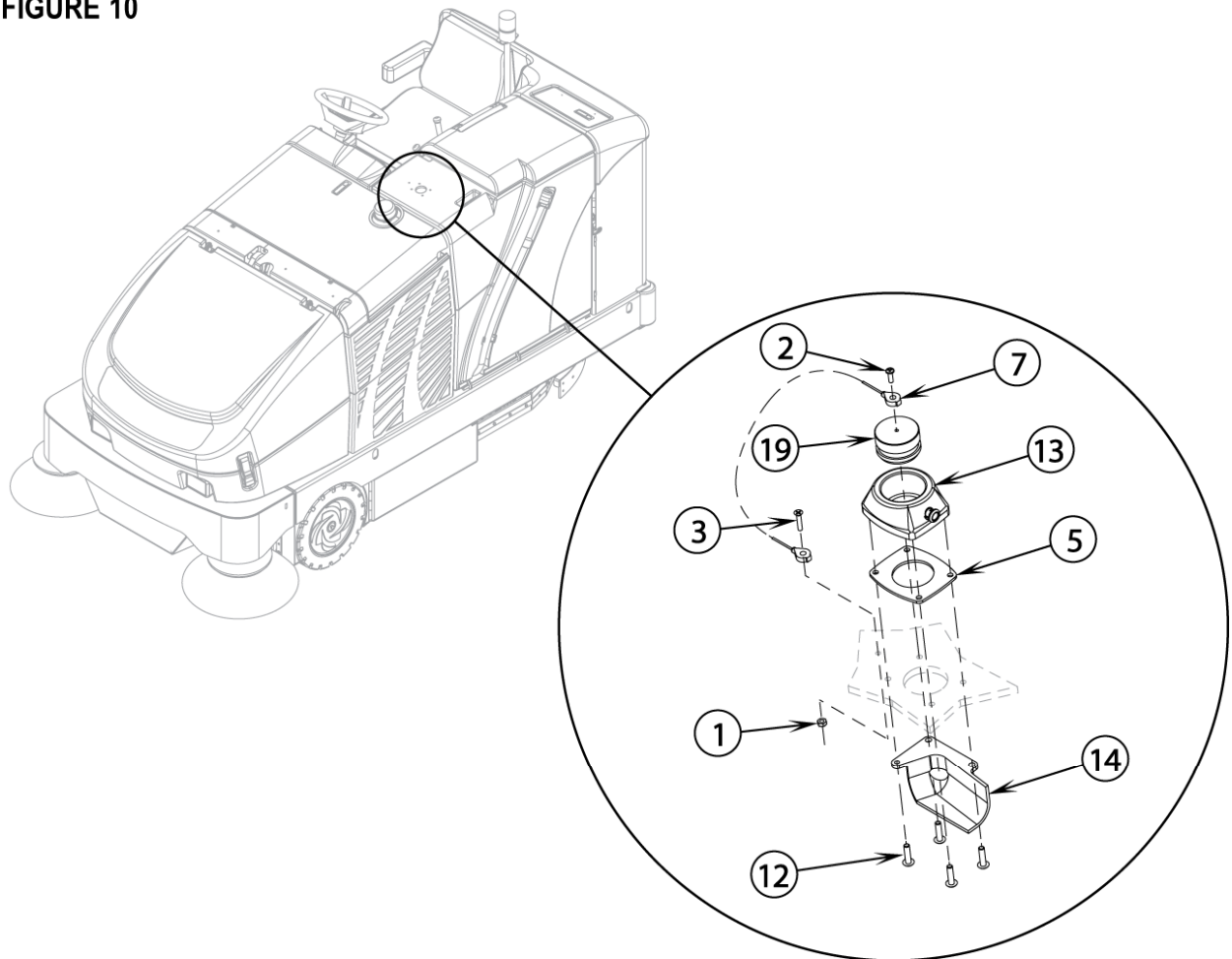
10/03 revised 3/04 Form No. 56040808

| Pos. | Artikel-Nr. | Menge | Variante | Notes |
|------|-------------|-------|---------------------------|-------|
| | 56305628 | 1 | Motorlicht | [1] |
| 0A | 56002192 | 5 | SCR PAN HD PHIL 10-24X.75 | |
| 0B | 56002768 | 5 | 1/4-20 NYLOC NUT | |
| 0C | 56305626 | 1 | BRACKET LIGHT MOUNT | [2] |
| 0D | 56305627 | 1 | TROUBLE LAMP | [3] |
| 0E | 56172017 | 3 | P-CLIP E00129 | |

Part Notes:

- [1] - PRUNED ACCESSORY
- [2] - EXPIRED NO REPLACEMENT
- [3] - NO LONGER AVAILABLE

FIGURE 10

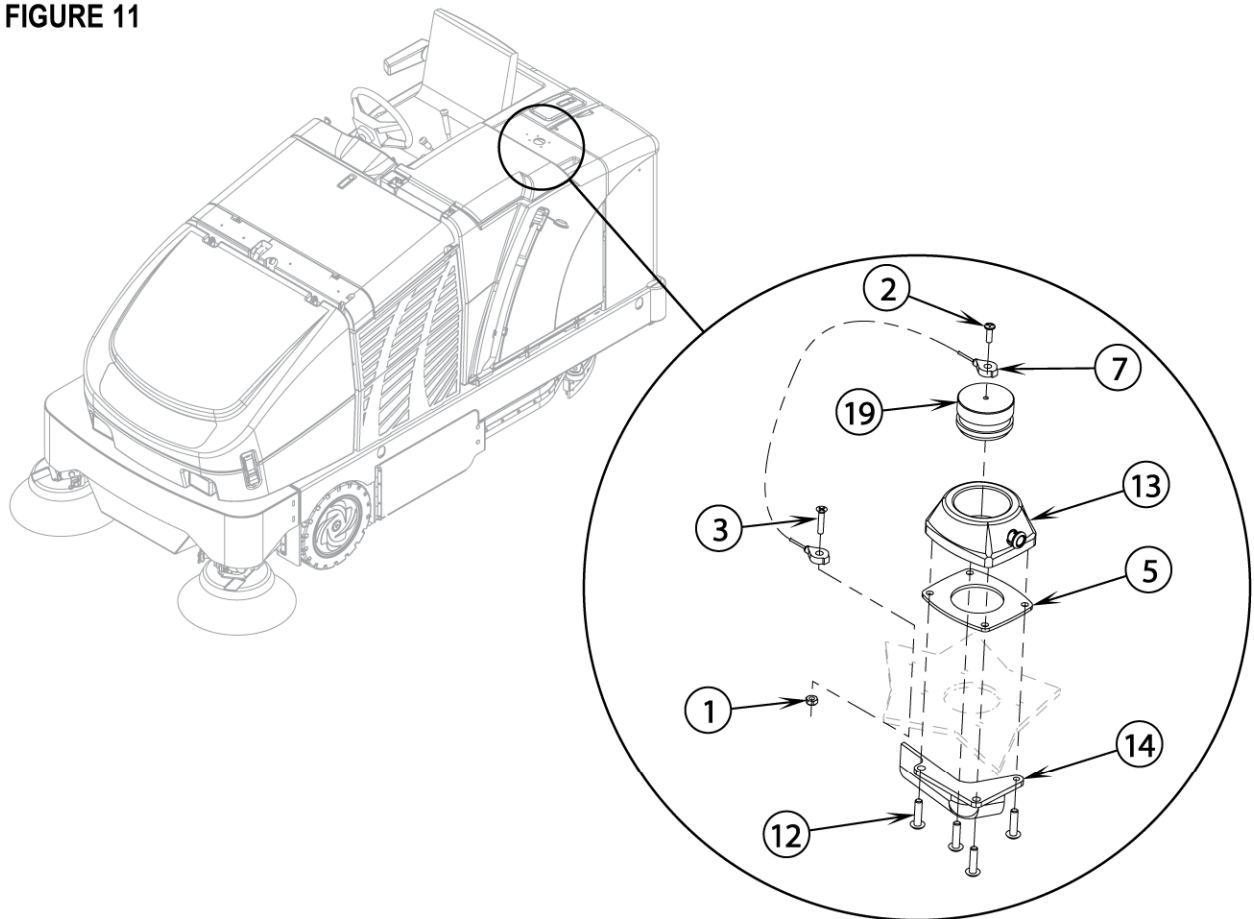


| Pos. | Artikel-Nr. | Menge | Variante | Notes |
|------|-------------|-------|---------------------------|-------|
| | 56305530 | 1 | Nass-Saug-Set | |
| 01 | 56002849 | 1 | NUT HEX NYL LOC-THIN SS10 | |
| 02 | 56002896 | 1 | Schraube SS10-24X0 | |
| 03 | 56002917 | 1 | Schraube FLT PHIL SS10-24 | |
| 05 | 56201390 | 1 | Dichtung HP2 | [1] |
| 07 | 56325240 | 1 | KABEL COMPL. | |
| 12 | 56009006 | 4 | Schraube | |
| 13 | 56205821 | 1 | CONNECTOR ASSEMBLY | |
| 14 | 56205829 | 1 | Deflektor | [2] |
| 19 | 56456078 | 1 | PLUG | [3] |

Part Notes:

- [1] - STOCK COVERS GUARANTEE
- [2] - SEE PI 2017-002
- [3] - EXPIRED ON 2/01/2013

FIGURE 11

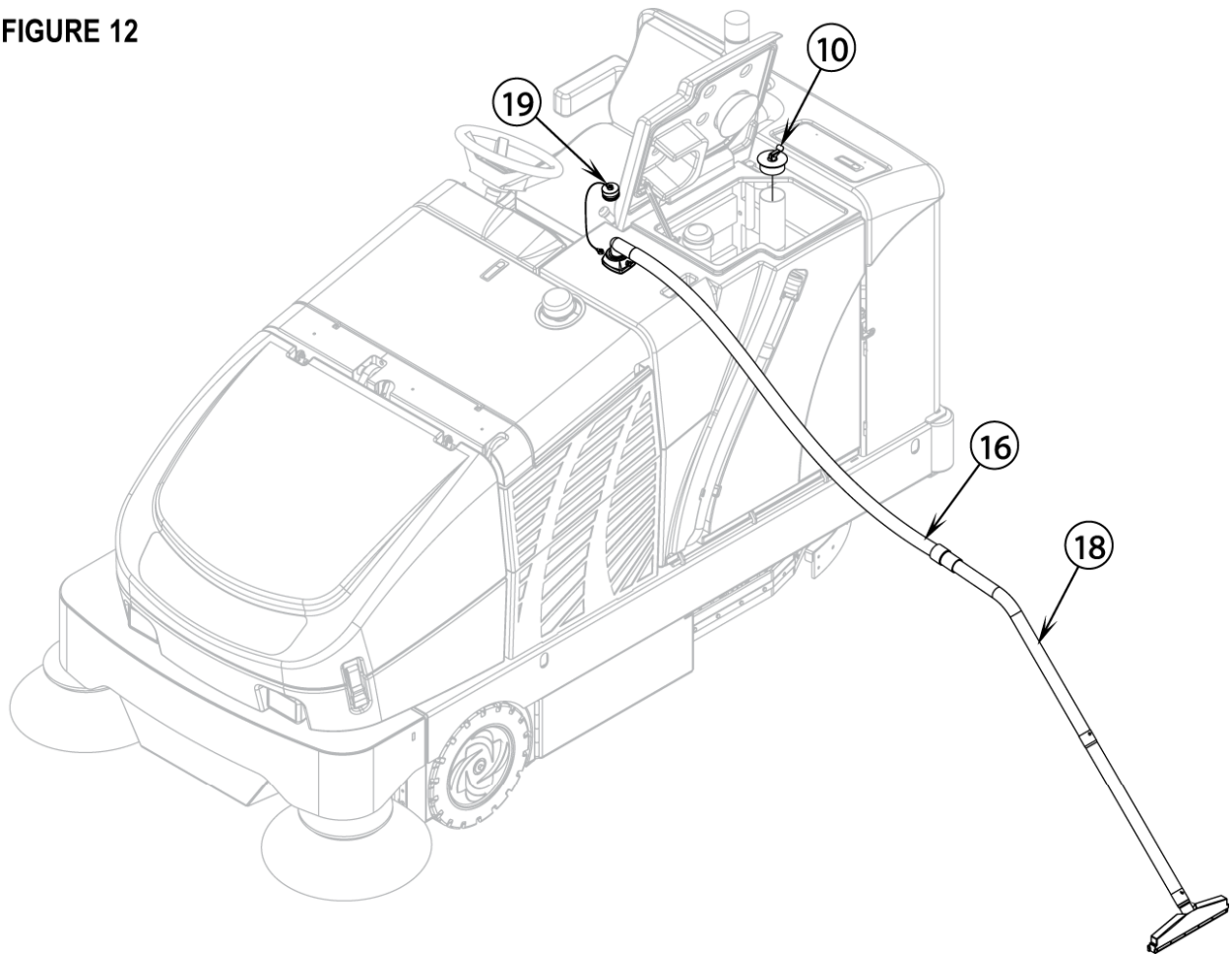


| Pos. | Artikel-Nr. | Menge | Variante | Notes |
|------|-------------|-------|---------------------------|-------|
| | 56305530 | 1 | Nass-Saug-Set | |
| 01 | 56002849 | 1 | NUT HEX NYL LOC-THIN SS10 | |
| 02 | 56002896 | 1 | Schraube SS10-24X0 | |
| 03 | 56002917 | 1 | Schraube FLT PHIL SS10-24 | |
| 05 | 56201390 | 1 | Dichtung HP2 | [1] |
| 07 | 56325240 | 1 | KABEL COMPL. | |
| 12 | 56009006 | 4 | Schraube | |
| 13 | 56205821 | 1 | CONNECTOR ASSEMBLY | |
| 14 | 56205829 | 1 | Deflektor | [2] |
| 19 | 56456078 | 1 | PLUG | [3] |

Part Notes:

- [1] - STOCK COVERS GUARANTEE
- [2] - SEE PI 2017-002
- [3] - EXPIRED ON 2/01/2013

FIGURE 12

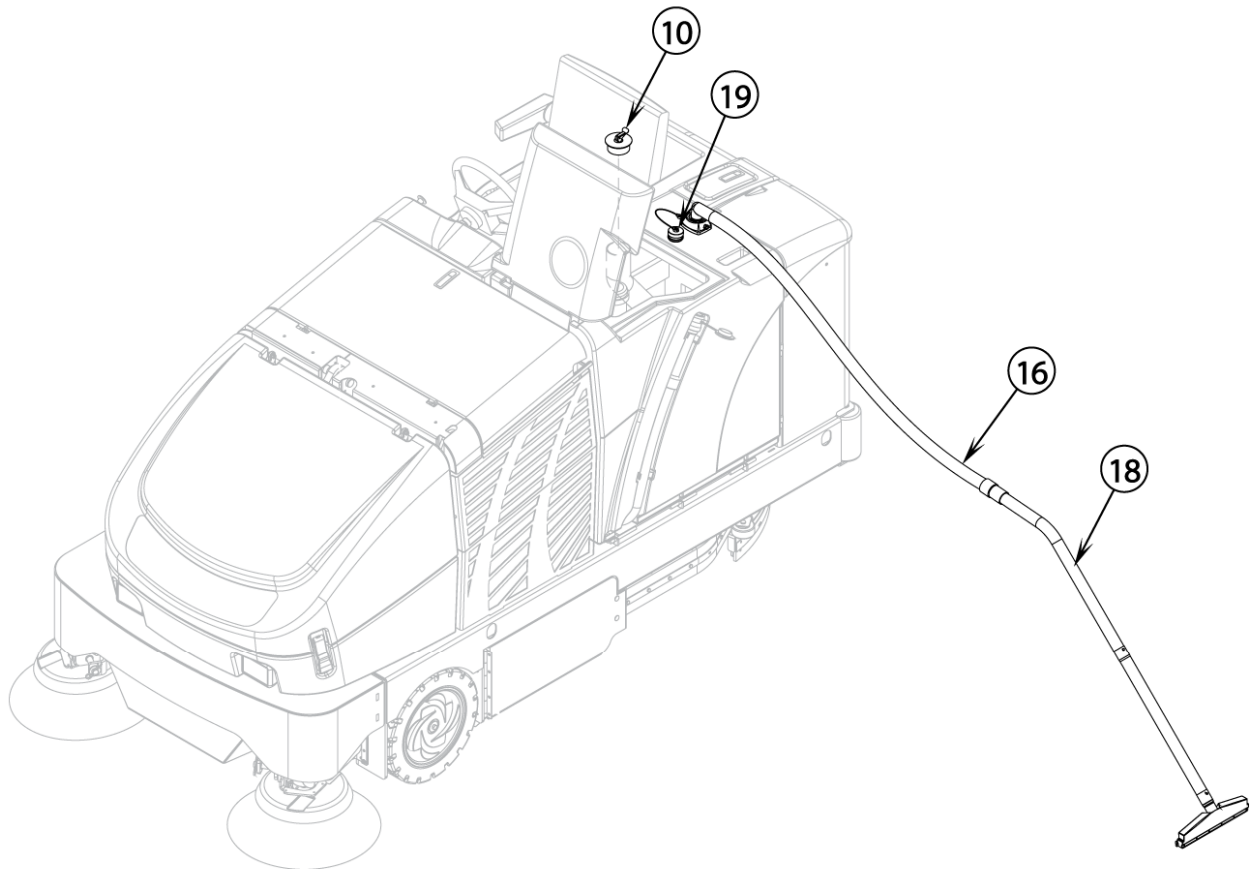


| Pos. | Artikel-Nr. | Menge | Variante | Notes |
|------|-------------|-------|--------------------|-------|
| | 56305530 | 1 | Nass-Saug-Set | |
| 10 | 56462703 | 1 | ABLASSZAPFEN | [1] |
| 16 | 56305539 | 1 | HOSE ASSEMBLY | |
| 18 | 56305605 | 1 | Bodendüse m. Lanze | |
| 19 | 56456078 | 1 | PLUG | [2] |

Part Notes:

- [1] - EXPIRED NO REPLACEMENT
- [2] - EXPIRED ON 2/01/2013

FIGURE 13

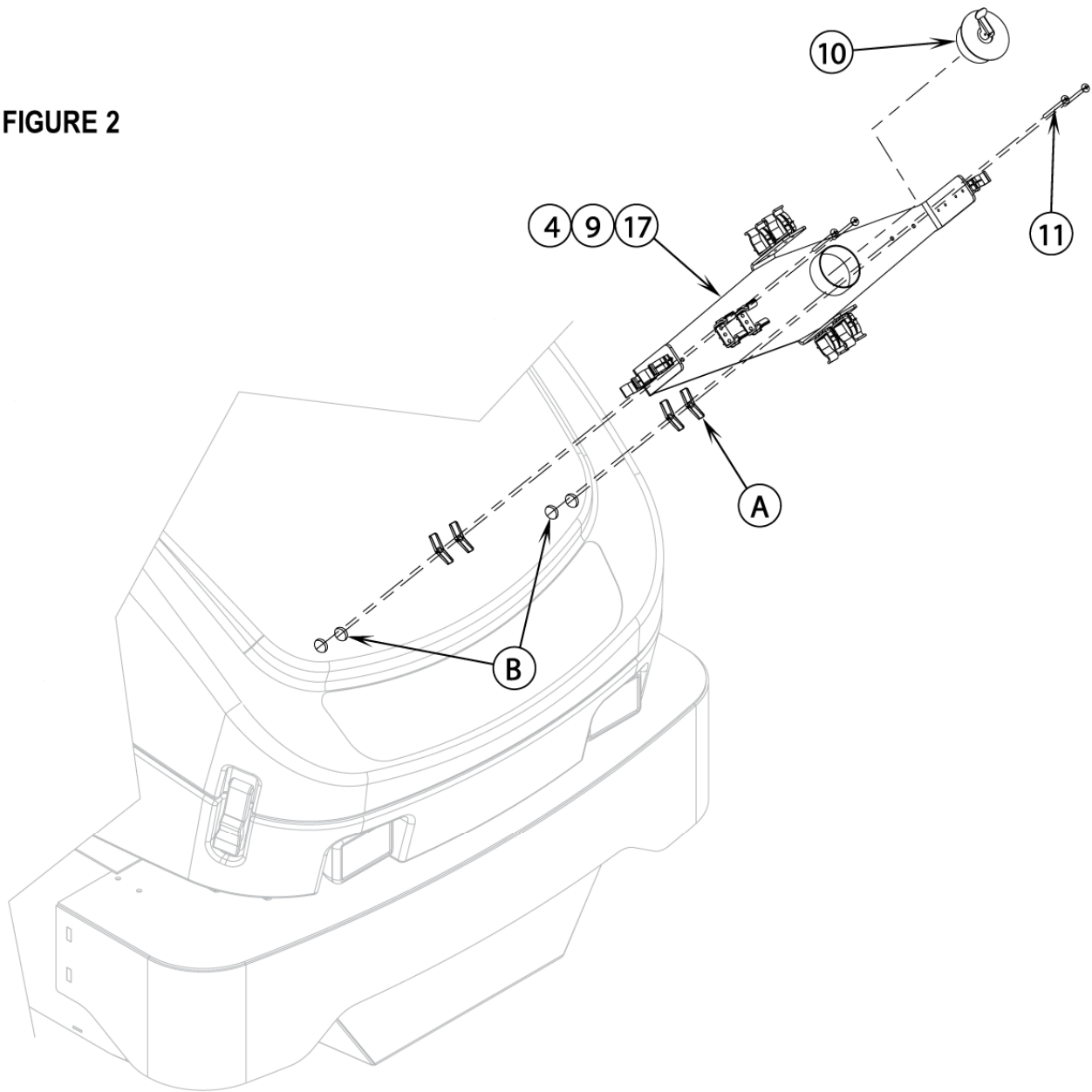


| Pos. | Artikel-Nr. | Menge | Variante | Notes |
|------|-------------|-------|--------------------|-------|
| | 56305530 | 1 | Nass-Saug-Set | |
| 10 | 56462703 | 1 | ABLASSZAPFEN | [1] |
| 16 | 56305539 | 1 | HOSE ASSEMBLY | |
| 18 | 56305605 | 1 | Bodendüse m. Lanze | |
| 19 | 56456078 | 1 | PLUG | [2] |

Part Notes:

- [1] - EXPIRED NO REPLACEMENT
- [2] - EXPIRED ON 2/01/2013

FIGURE 2

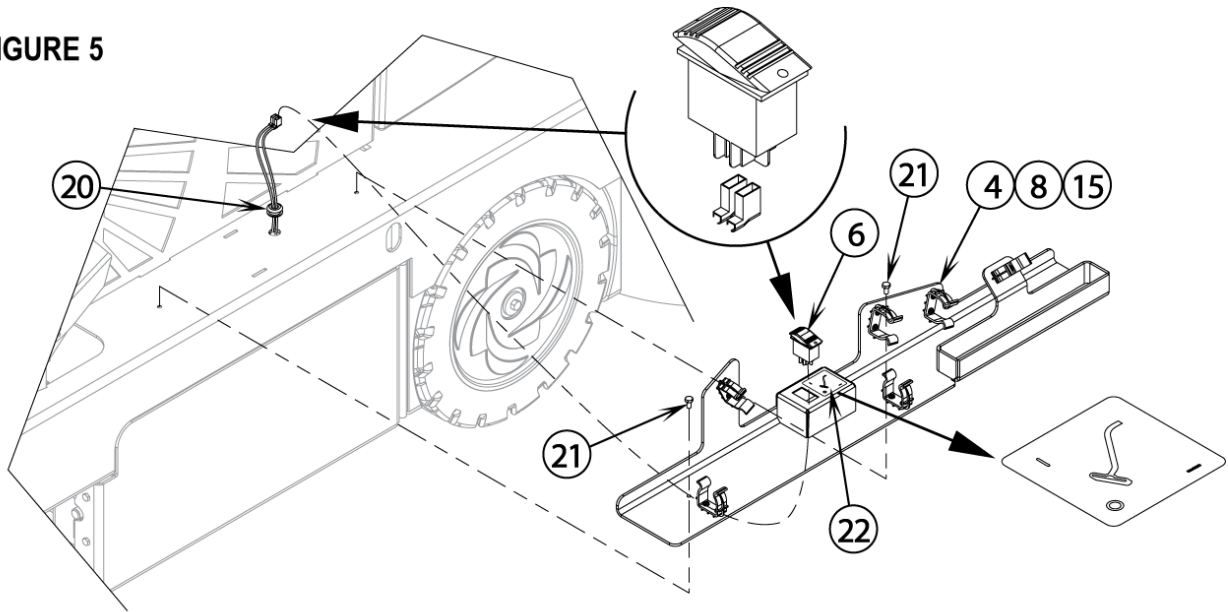


| Pos. | Artikel-Nr. | Menge | Variante | Notes |
|------|-------------|-------|---------------------------|-------|
| | 56305530 | 1 | Nass-Saug-Set | |
| 01 | 56002849 | 1 | NUT HEX NYL LOC-THIN SS10 | |
| 02 | 56002896 | 1 | Schraube SS10-24X0 | |
| 03 | 56002917 | 1 | Schraube FLT PHIL SS10-24 | |
| 04 | 56009030 | 32 | Schraube 10-2 | |
| 05 | 56201390 | 1 | Dichtung HP2 | [1] |
| 06 | 56209321 | 1 | Schalter zu GW 1030 | |
| 07 | 56325240 | 1 | KABEL COMPL. | |
| 08 | 56392171 | 6 | Klammer BR 1000 | |
| 09 | 56407361 | 10 | Plastikklammer zu BR 850 | |
| 10 | 56462703 | 1 | ABLASSZAPFEN | [2] |
| 11 | 56003676 | 4 | BOLT TOGGLE .25 X 3.00 | |
| 12 | 56009006 | 4 | Schraube | |
| 13 | 56205821 | 1 | CONNECTOR ASSEMBLY | |
| 14 | 56205829 | 1 | Deflektor | [3] |
| 15 | 56305529 | 1 | WAND MOUNT WELDMENT | |
| 16 | 56305539 | 1 | HOSE ASSEMBLY | |
| 17 | 56305540 | 1 | HOSE MOUNT WELDMENT | |
| 18 | 56305605 | 1 | Bodendüse m. Lanze | |
| 19 | 56456078 | 1 | PLUG | [4] |
| 20 | 56453254 | 1 | GROMMET E00059 | |
| 21 | 56009033 | 2 | Schraube 1/4-20X1 2HP 5 | |
| 22 | 56015253 | 1 | DECAL WAND | |

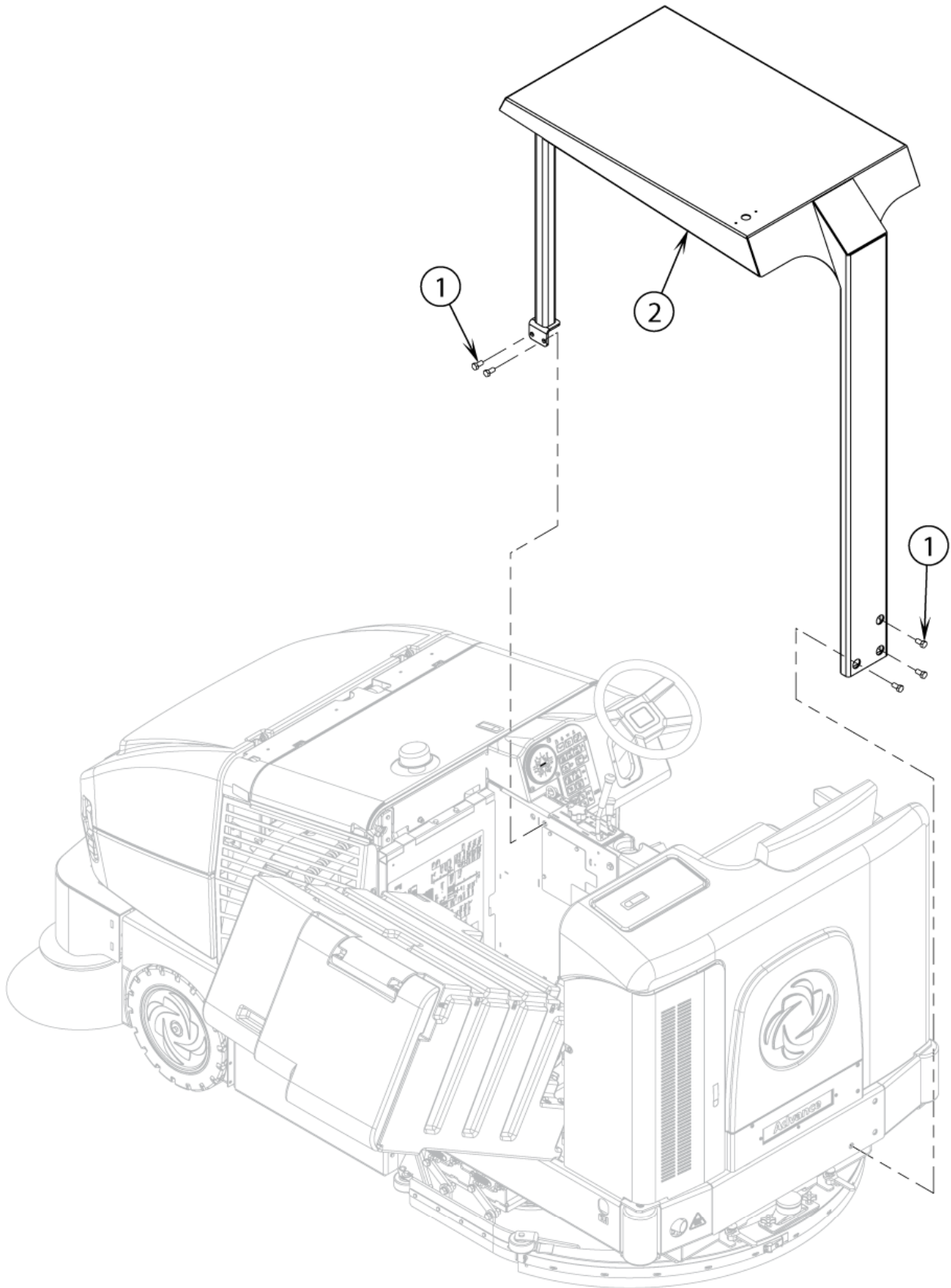
Part Notes:

- [1] - STOCK COVERS GUARANTEE
- [2] - EXPIRED NO REPLACEMENT
- [3] - SEE PI 2017-002
- [4] - EXPIRED ON 2/01/2013

FIGURE 5



| Pos. | Artikel-Nr. | Menge | Variante | Notes |
|------|-------------|-------|-------------------------|-------|
| | 56305530 | 1 | Nass-Saug-Set | |
| 04 | 56009030 | 32 | Schraube 10-2 | |
| 06 | 56209321 | 1 | Schalter zu GW 1030 | |
| 08 | 56392171 | 6 | Klammer BR 1000 | |
| 15 | 56305529 | 1 | WAND MOUNT WELDMENT | |
| 20 | 56453254 | 1 | GROMMET E00059 | |
| 21 | 56009033 | 2 | Schraube 1/4-20X1 2HP 5 | |
| 22 | 56015253 | 1 | DECAL WAND | |

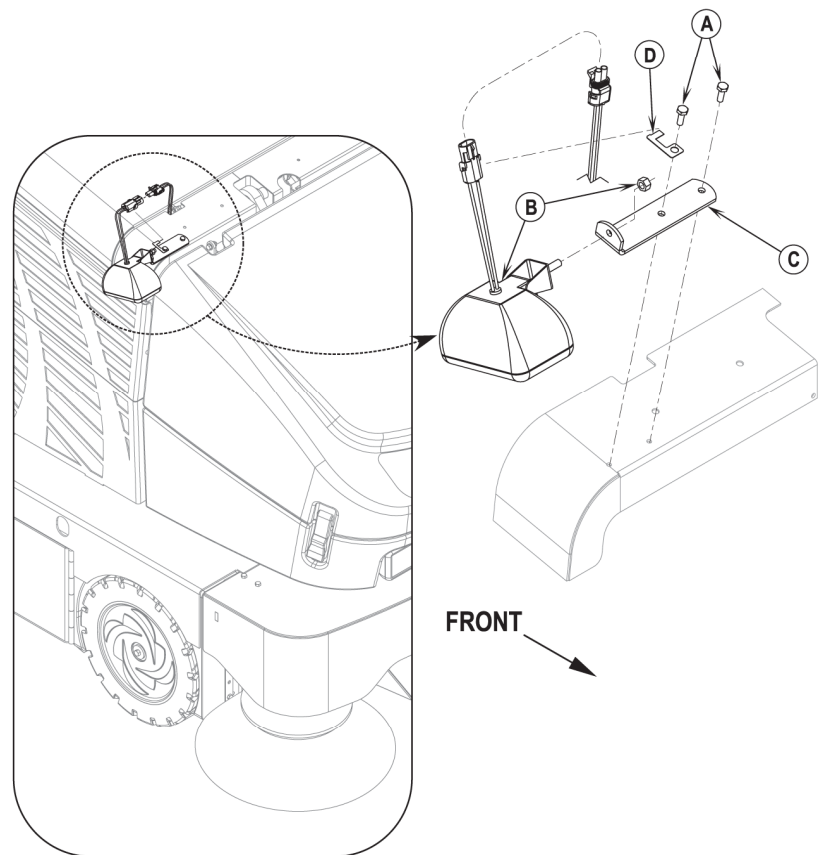


| Pos. | Artikel-Nr. | Menge | Variante | Notes |
|------|-------------|-------|------------------------------|-------|
| | 56305637 | 1 | Fahrerschutzdach | |
| 01 | 56003083 | 5 | Radbolzen | [1] |
| 02 | 56303574 | 1 | GUARD WELDMENT | [2] |
| 02 | 56304862 | 1 | LOW CLEARANCE GUARD WELDMENT | [3] |
| 03 | 56305687 | 1 | TRIM EDGE | |
| 04 | 56305705 | 2 | TRIM EDGE | [4] |

Part Notes:

- [1] - GRADE 5
- [2] - USED IN KIT 56303573
- [3] - USED IN KIT 56305637
- [4] - NOT SHOWN / PRE-ASSEMBLED TO ITEM 2

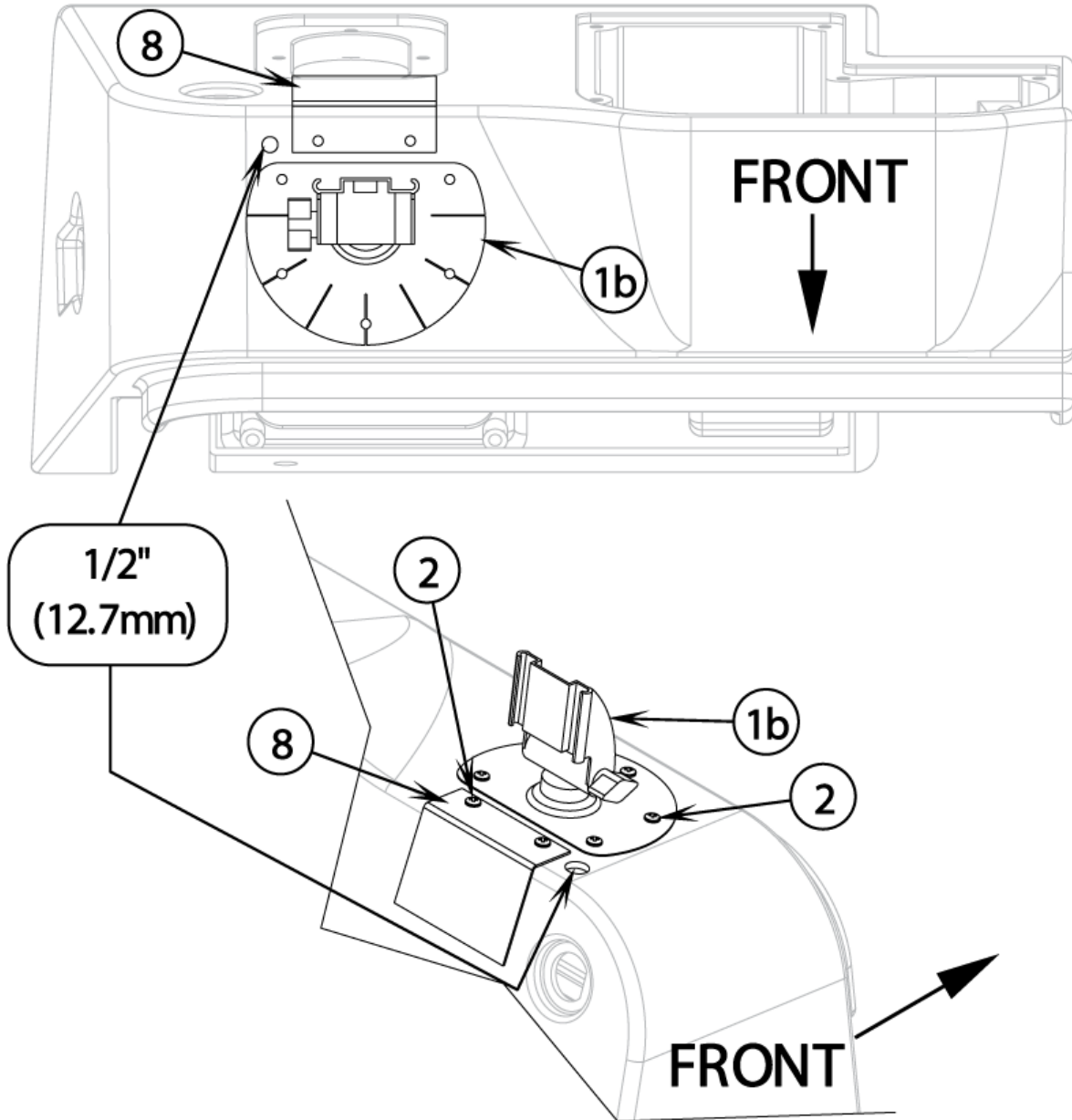
FIGURE 2



| Pos. | Artikel-Nr. | Menge | Variante | Notes |
|------|-------------|-------|-------------------------|-------|
| | 56305641 | 1 | Randsteinlicht | |
| 0A | 56009018 | 2 | SCHRAUBE 1/4-20X3/4 HP5 | |
| 0B | 56304768 | 1 | Lampe 12V CR 1400 | |
| 0C | 56305648 | 1 | BRACKET | |
| 0D | 56409769 | 1 | CLIP WEATHER PACK | |

FIGURE 1

TOP View of Control Panel Housing

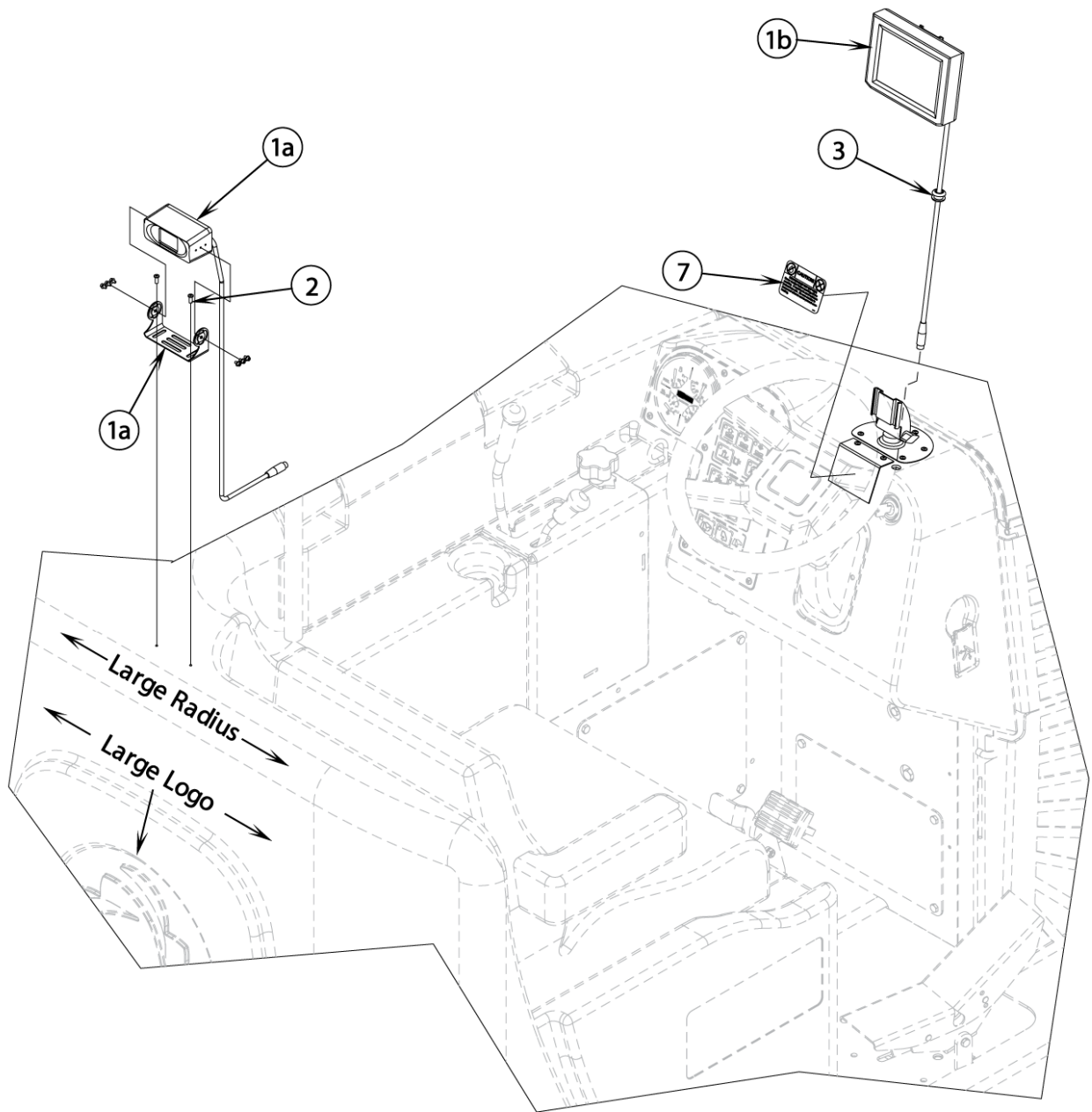


| Pos. | Artikel-Nr. | Menge | Variante | Notes |
|------|-------------|-------|----------------------------|-------|
| | 56305643 | 1 | REAR VIEW CAMERA KIT | [1] |
| 01A | 56305690 | 1 | | |
| 01B | 56305691 | 1 | | |
| 01C | 56305692 | 1 | | |
| 01D | | 1 | | |
| 01E | | 1 | | |
| 02 | 56003093 | 9 | SCR PAN PHIL PLAST 8-1 | |
| 04 | 56305706 | 1 | FOAM PAD | [2] |
| 05 | 56305709 | 1 | VELCRO HOOK | [2] |
| 06 | 56307708 | 1 | | |
| 07 | 56015830 | 1 | DECAL MONITOR | [3] |
| 08 | 56305707 | 1 | PLATE | |
| 09 | 56305741 | 1 | RING TERMINAL .38 22-16AWG | [2] |
| 10 | 56328082 | 1 | TERMINAL RING 8 | [4] |
| 11 | 56009112 | 1 | WASHER, INT SHAKEPRO | |

Part Notes:

- [1] - OBSOLETE
- [2] - SEE PI 2017-002
- [3] - EXPIRED NO REPLACEMENT
- [4] - STOCK COVERS GUARANTEE

FIGURE 2

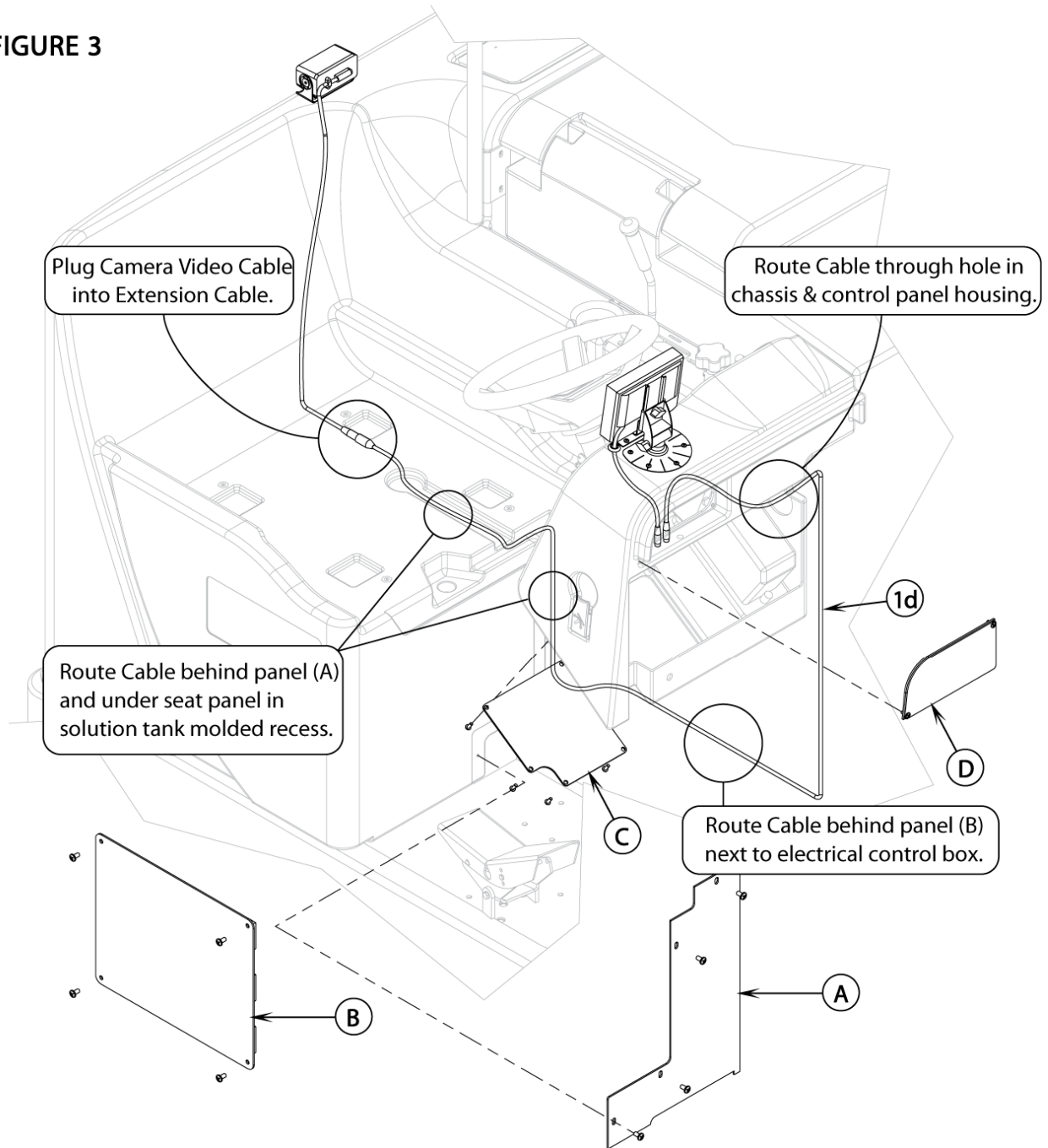


| Pos. | Artikel-Nr. | Menge | Variante | Notes |
|------|-------------|-------|----------------------------|-------|
| 01 | 56305643 | 1 | REAR VIEW CAMERA KIT | [1] |
| 01A | 56305690 | 1 | | |
| 01B | 56305691 | 1 | | |
| 01C | 56305692 | 1 | | |
| 01D | * | 1 | INFO | |
| 01E | * | 1 | INFO | |
| 02 | 56003093 | 9 | SCR PAN PHIL PLAST 8-1 | |
| 03 | 56168744 | 1 | GROMMET .500 E00059 | |
| 04 | 56305706 | 1 | FOAM PAD | [2] |
| 05 | 56305709 | 1 | VELCRO HOOK | [2] |
| 06 | 56307708 | 1 | | |
| 07 | 56015830 | 1 | DECAL MONITOR | [3] |
| 08 | 56305707 | 1 | PLATE | |
| 09 | 56305741 | 1 | RING TERMINAL .38 22-16AWG | [2] |
| 10 | 56328082 | 1 | TERMINAL RING 8 | [4] |
| 11 | 56009112 | 1 | WASHER, INT SHAKEPRO | |

Part Notes:

- [1] - OBSOLETE
- [2] - SEE PI 2017-002
- [3] - EXPIRED NO REPLACEMENT
- [4] - STOCK COVERS GUARANTEE

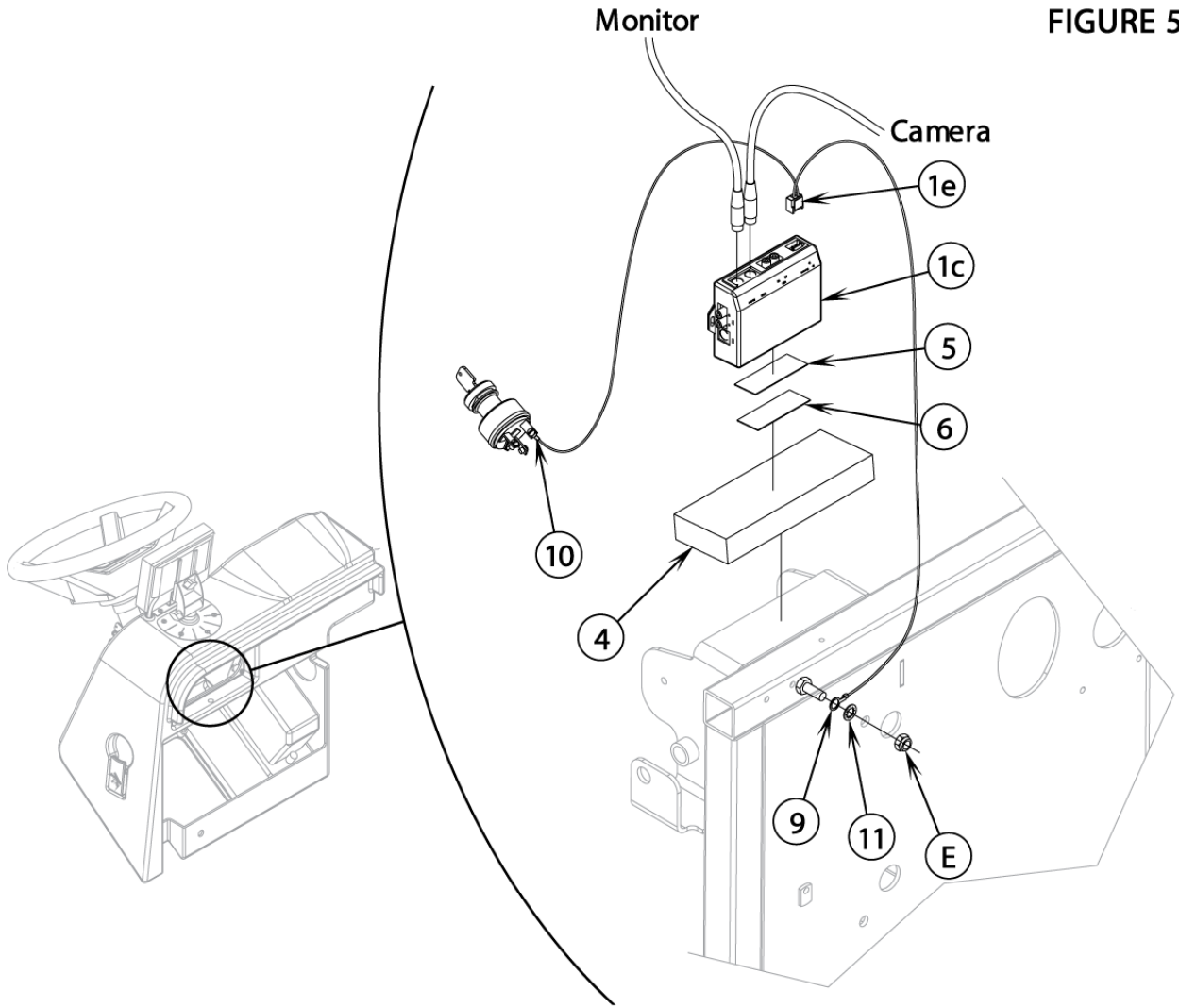
FIGURE 3



| Pos. | Artikel-Nr. | Menge | Variante | Notes |
|------|-------------|-------|----------------------------|-------|
| 01 | 56305643 | 1 | REAR VIEW CAMERA KIT | [1] |
| 01A | 56305690 | 1 | | |
| 01B | 56305691 | 1 | | |
| 01C | 56305692 | 1 | | |
| 01D | * | 1 | INFO | |
| 01E | * | 1 | INFO | |
| 02 | 56003093 | 9 | SCR PAN PHIL PLAST 8-1 | |
| 03 | 56168744 | 1 | GROMMET .500 E00059 | |
| 04 | 56305706 | 1 | FOAM PAD | [2] |
| 05 | 56305709 | 1 | VELCRO HOOK | [2] |
| 06 | 56307708 | 1 | | |
| 07 | 56015830 | 1 | DECAL MONITOR | [3] |
| 08 | 56305707 | 1 | PLATE | |
| 09 | 56305741 | 1 | RING TERMINAL .38 22-16AWG | [2] |
| 10 | 56328082 | 1 | TERMINAL RING 8 | [4] |
| 11 | 56009112 | 1 | WASHER, INT SHAKEPRO | |

Part Notes:

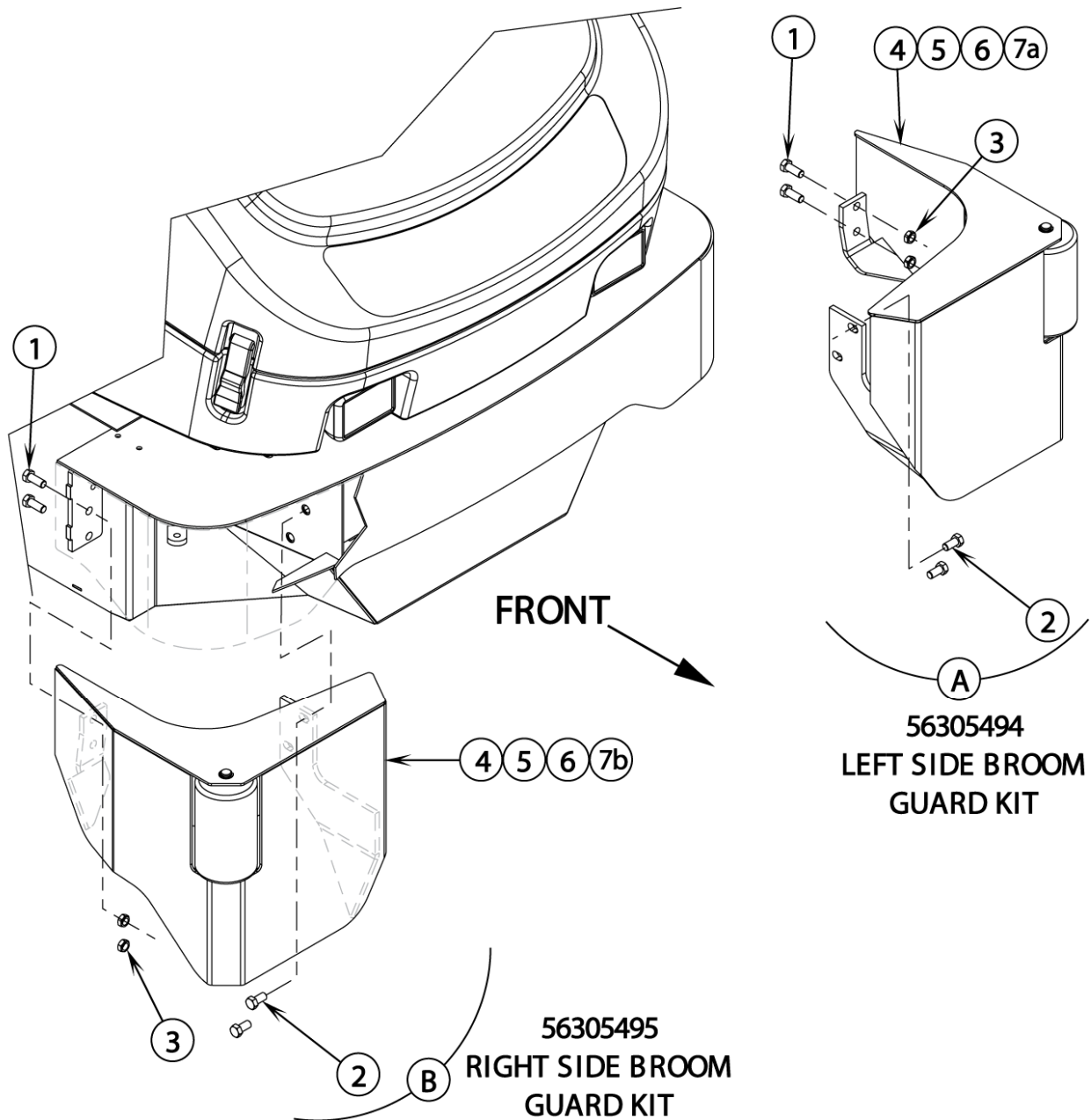
- [1] - OBSOLETE
- [2] - SEE PI 2017-002
- [3] - EXPIRED NO REPLACEMENT
- [4] - STOCK COVERS GUARANTEE



| Pos. | Artikel-Nr. | Menge | Variante | Notes |
|------|-------------|-------|----------------------------|-------|
| 01 | 56305643 | 1 | REAR VIEW CAMERA KIT | [1] |
| 01A | 56305690 | 1 | | |
| 01B | 56305691 | 1 | | |
| 01C | 56305692 | 1 | | |
| 01D | * | 1 | INFO | |
| 01E | * | 1 | INFO | |
| 02 | 56003093 | 9 | SCR PAN PHIL PLAST 8-1 | |
| 03 | 56168744 | 1 | GROMMET .500 E00059 | |
| 04 | 56305706 | 1 | FOAM PAD | [2] |
| 05 | 56305709 | 1 | VELCRO HOOK | [2] |
| 06 | 56307708 | 1 | | |
| 07 | 56015830 | 1 | DECAL MONITOR | [3] |
| 08 | 56305707 | 1 | PLATE | |
| 09 | 56305741 | 1 | RING TERMINAL .38 22-16AWG | [2] |
| 10 | 56328082 | 1 | TERMINAL RING 8 | [4] |
| 11 | 56009112 | 1 | WASHER, INT SHAKEPRO | |

Part Notes:

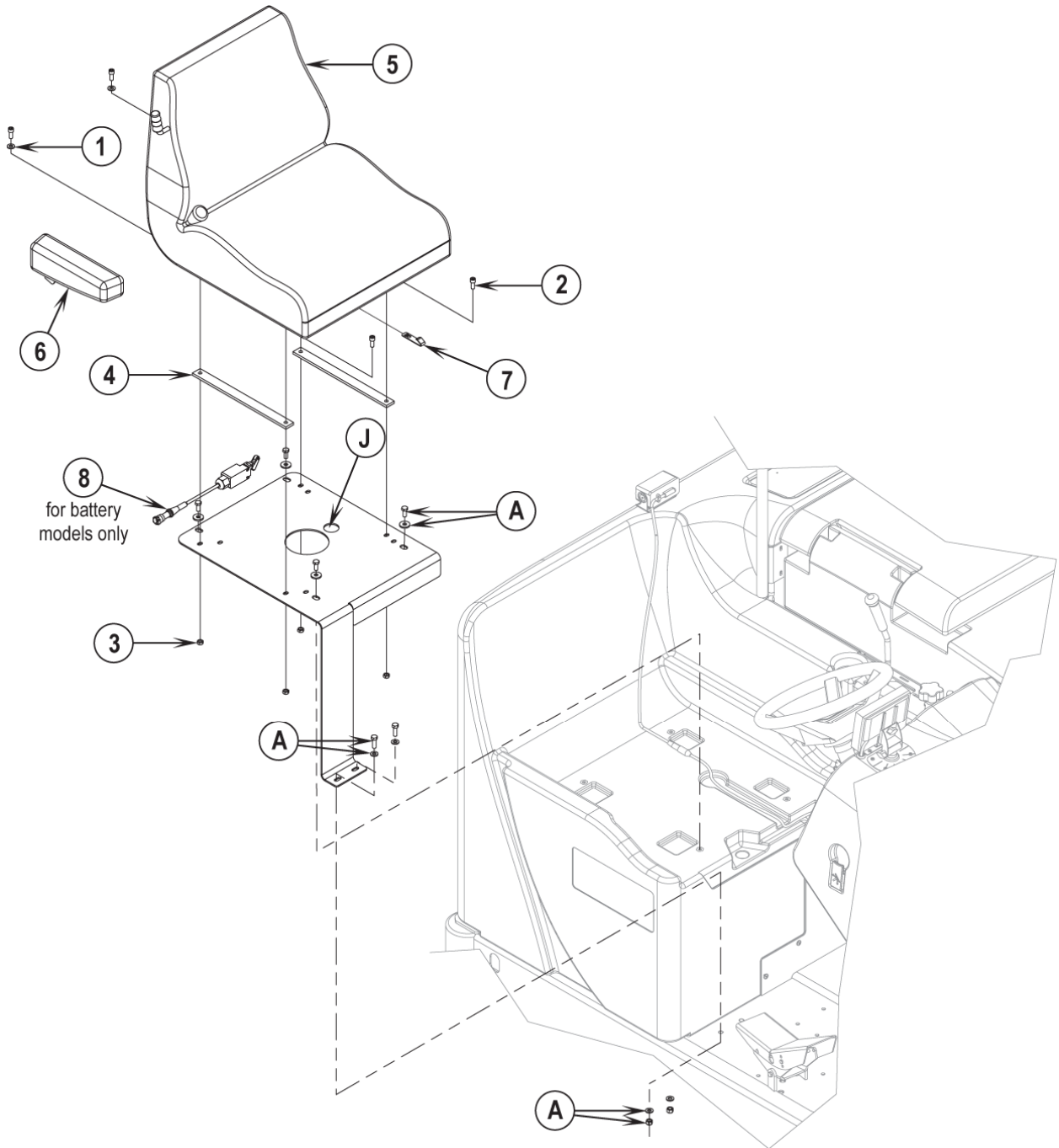
- [1] - OBSOLETE
- [2] - SEE PI 2017-002
- [3] - EXPIRED NO REPLACEMENT
- [4] - STOCK COVERS GUARANTEE



| Pos. | Artikel-Nr. | Menge | Variante | Notes |
|------|-------------|-------|------------------------------------|-------|
| | 56305494 | 1 | Schutz f. Setenbesen li. | |
| 01 | 56001831 | 2 | Schraube 1/2-13X1,25 | |
| 02 | 56001895 | 2 | SCR HEX HD 1/2-13 X 1.00 | |
| 03 | 56002843 | 2 | NUT HEX NYL LOC-THIN1/2-1 | |
| 04 | 56003266 | 2 | Sicherungsring | |
| 05 | 56409335 | 1 | BUMPER ROLLER | |
| 06 | 56409336 | 1 | PIN | |
| 07A | 56305322 | 1 | Seitenschutz, links | [1] |
| 07B | 56305321 | 1 | Seitenschutz, rechts | [1] |
| 0A | 56305494 | 1 | Schutz f. Setenbesen li. | [1] |
| 0B | 56305495 | 1 | Anfahrerschutz Seitenbesen, rechts | [1] |

Part Notes:

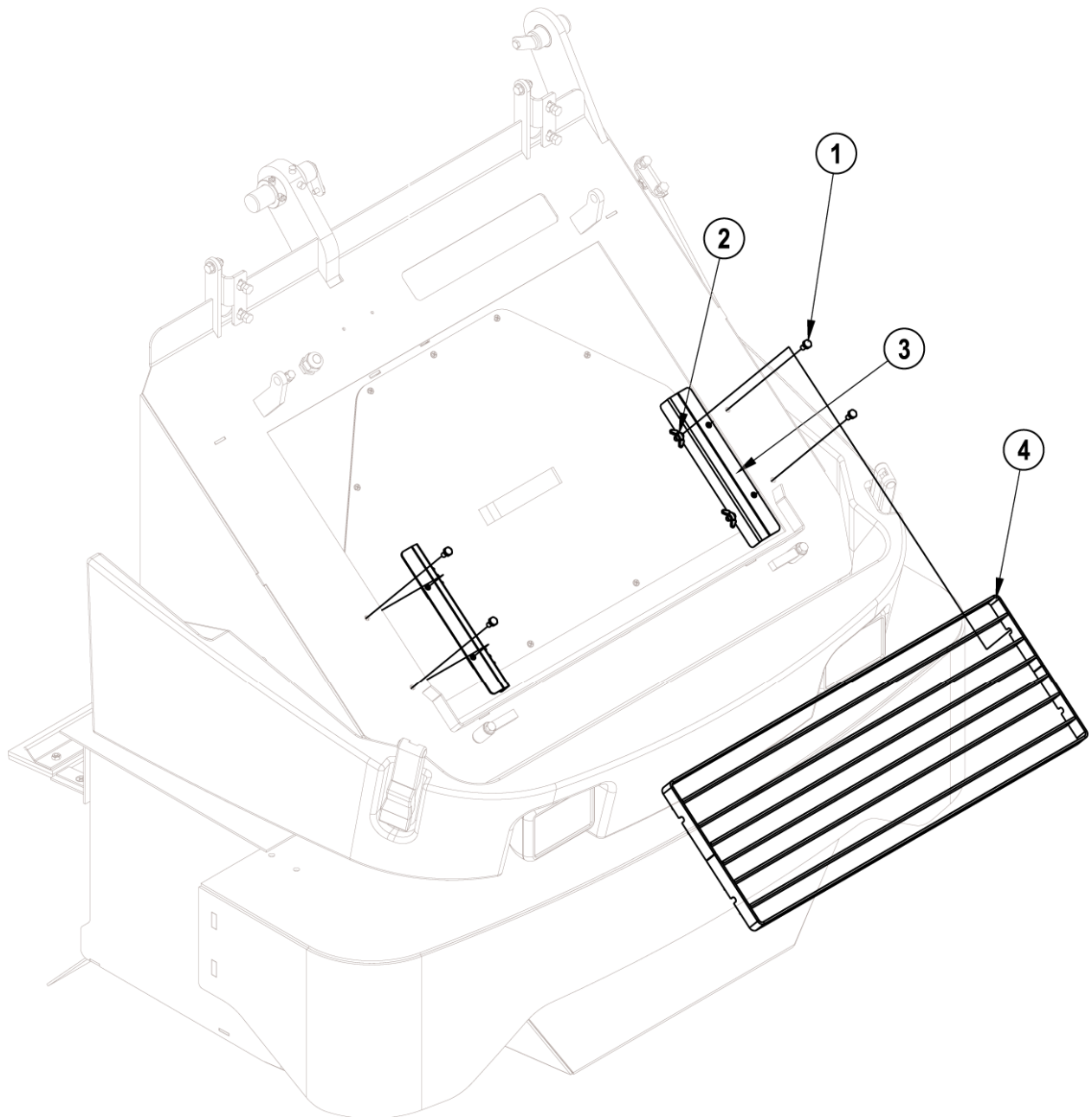
- [1] - NOTE: All mounting holes are predrilled, there are no modifications required. Items (4, 5, 6 7) are preassembled in both kits. The two kits covered in this instruction sheet are also part of Kit PN56305652 which is designed for models with dual side brooms.



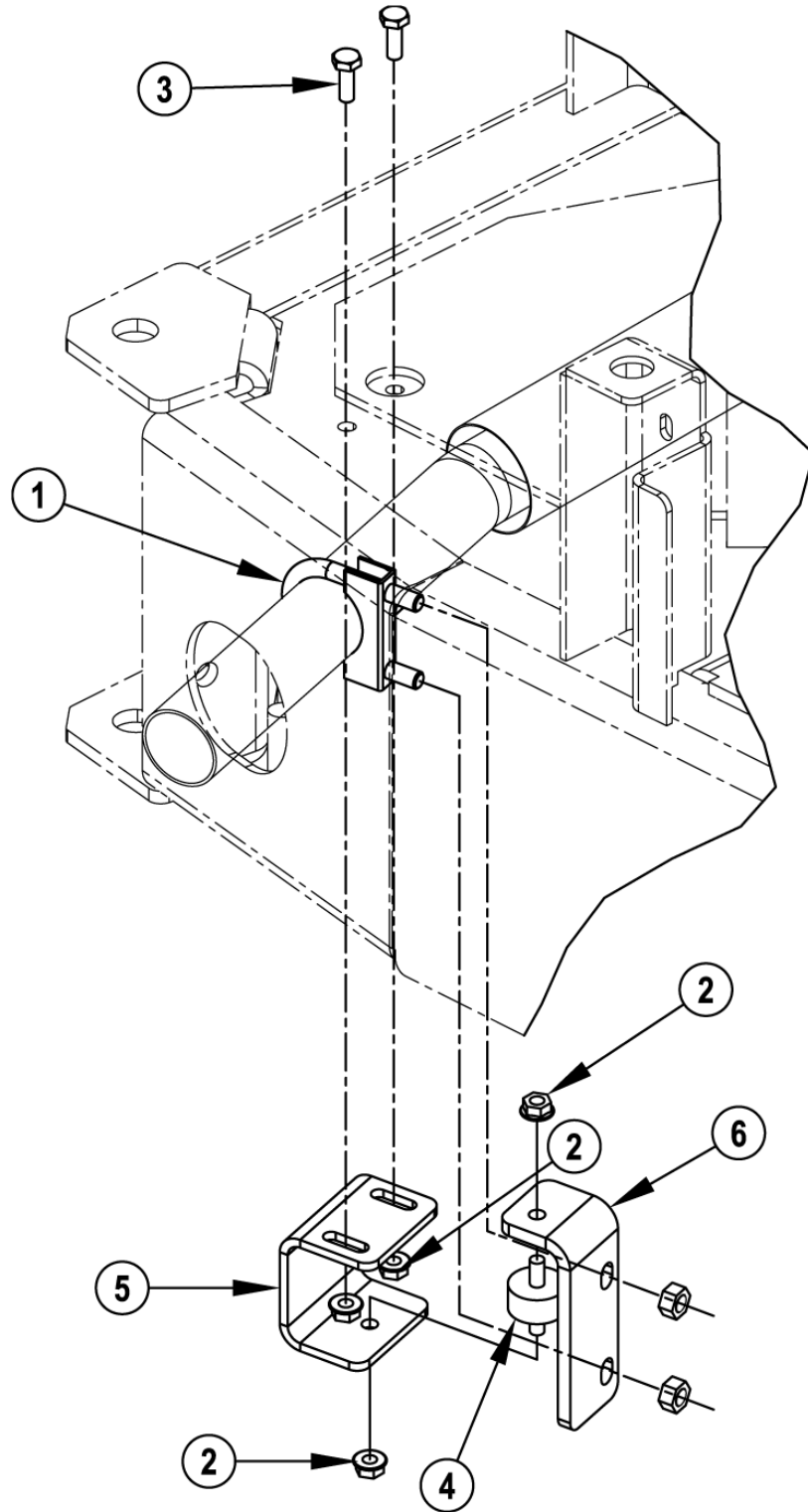
| Pos. | Artikel-Nr. | Menge | Variante | Notes |
|------|-------------|-------|---------------------------|-------|
| | 56305611 | 1 | Fahrerkomfortsitz | |
| | 56303381 | 1 | Deluxe Sitz f. | [1] |
| 01 | 56001939 | 2 | Flachdichtung 5/16 | |
| 02 | 56001959 | 4 | SCR SOC HD 5/16-18 X .75 | |
| 03 | 56002826 | 4 | NUT HEX NYLOC THIN 5/16-1 | |
| 04 | 56305191 | 2 | SPACER SEAT | |
| 05 | 56305612 | 1 | Sitz | |
| 06 | 56305613 | 1 | Armlehne | |
| 07 | 56305934 | 1 | SLIDE STOP SEAT | |
| 08 | 56303533 | 1 | Sitzschalter f. CR1200B | |

Part Notes:

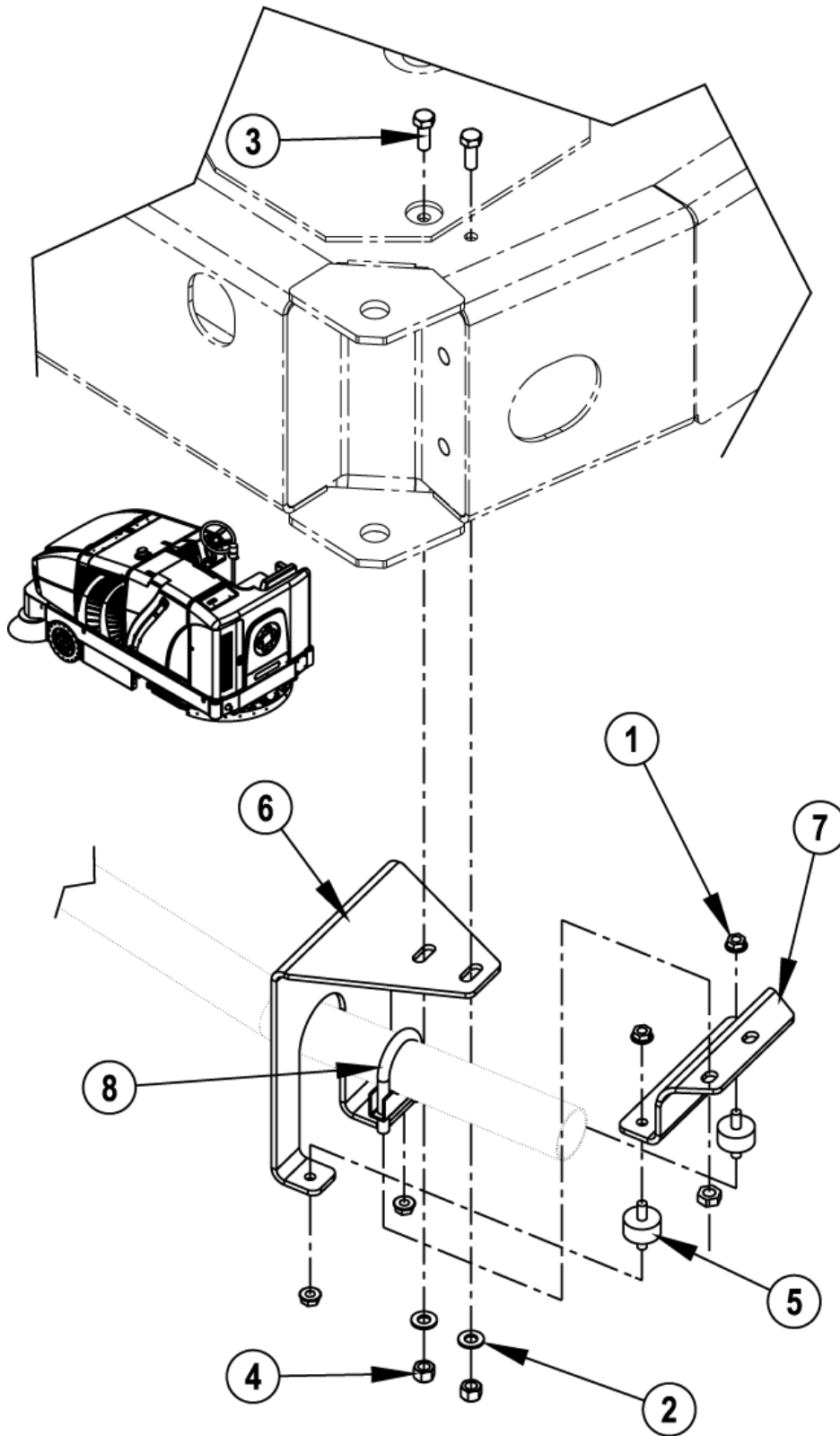
[1] - SEE PI 2017-002



| Pos. | Artikel-Nr. | Menge | Variante | Notes |
|------|-------------|-------|--|-------|
| | 56305794 | 1 | Grobschmutzgitter-Set | |
| 01 | 56003039 | 4 | Schraube 1/4-20 | |
| 02 | 56009048 | 4 | FLUEGELMUTTER 1/4-20Ersetzt durch: 56003 | |
| 03 | 56305875 | 2 | BRACKET PREFILTER | |
| 04 | 56305887 | 1 | Vorfilter | |

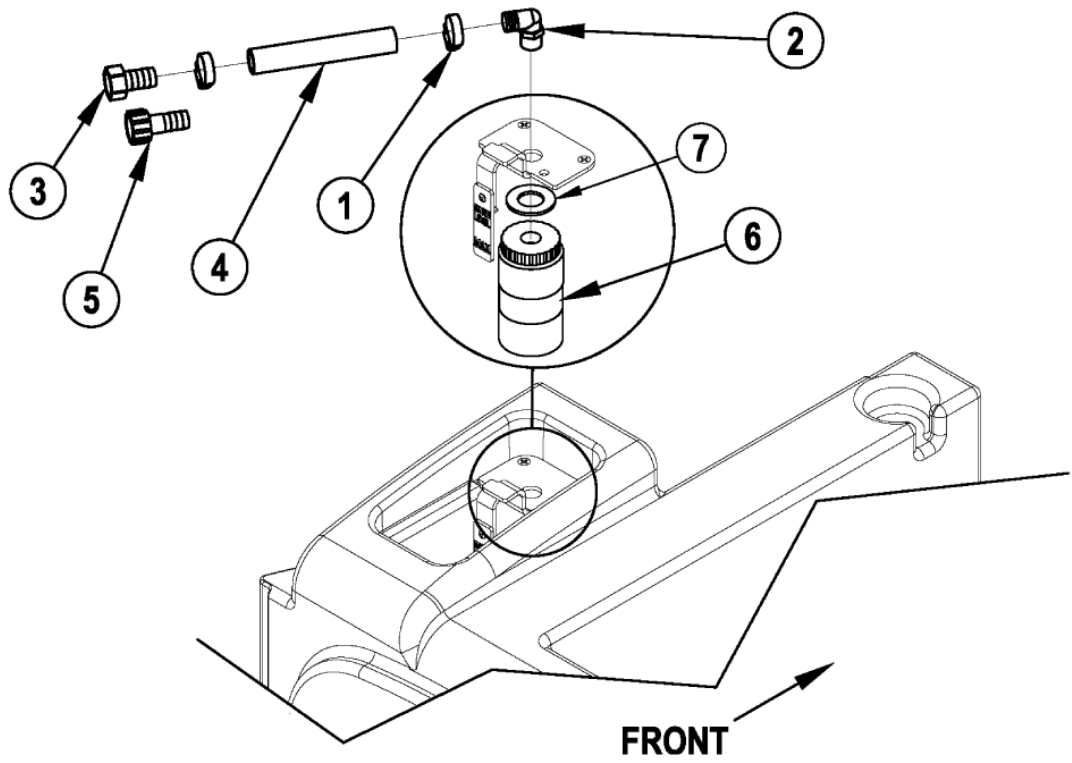


| Pos. | Artikel-Nr. | Menge | Variante | Notes |
|------|-------------|-------|-----------------------------------|-------|
| | 56305840 | 1 | | |
| 01 | 56456833 | 1 | "Auspuffbriede 1 5/8""Adv. 5000P" | |
| 02 | 56001827 | 4 | NUT HEX SERRATED 1/4-20 | |
| 03 | 56002155 | 2 | SCR HEX 1/4-20 X .75 | |
| 04 | 56305216 | 1 | Dämpfer | |
| 05 | 56305739 | 1 | | |
| 06 | 56305740 | 1 | | |



| Pos. | Artikel-Nr. | Menge | Variante | Notes |
|------|-------------|-------|-----------------------------------|-------|
| | 56305894 | 1 | Auspuffaufhängungs-Kit | |
| 01 | 56001827 | 4 | NUT HEX SERRATED 1/4-20 | |
| 02 | 56001939 | 2 | Flachdichtung 5/16 | |
| 03 | 56002037 | 2 | SCR HEX 5/16-18 X .88 | |
| 04 | 56002701 | 2 | MUTTER 5-16-18 HEX JAM | |
| 05 | 56305216 | 2 | Dämpfer | |
| 06 | 56305877 | 1 | BRACKET TAILPIPE | |
| 07 | 56305878 | 1 | BRACKET TAILPIPE | |
| 08 | 56456833 | 1 | "Auspuffbriede 1 5/8" Adv. 5000P" | |

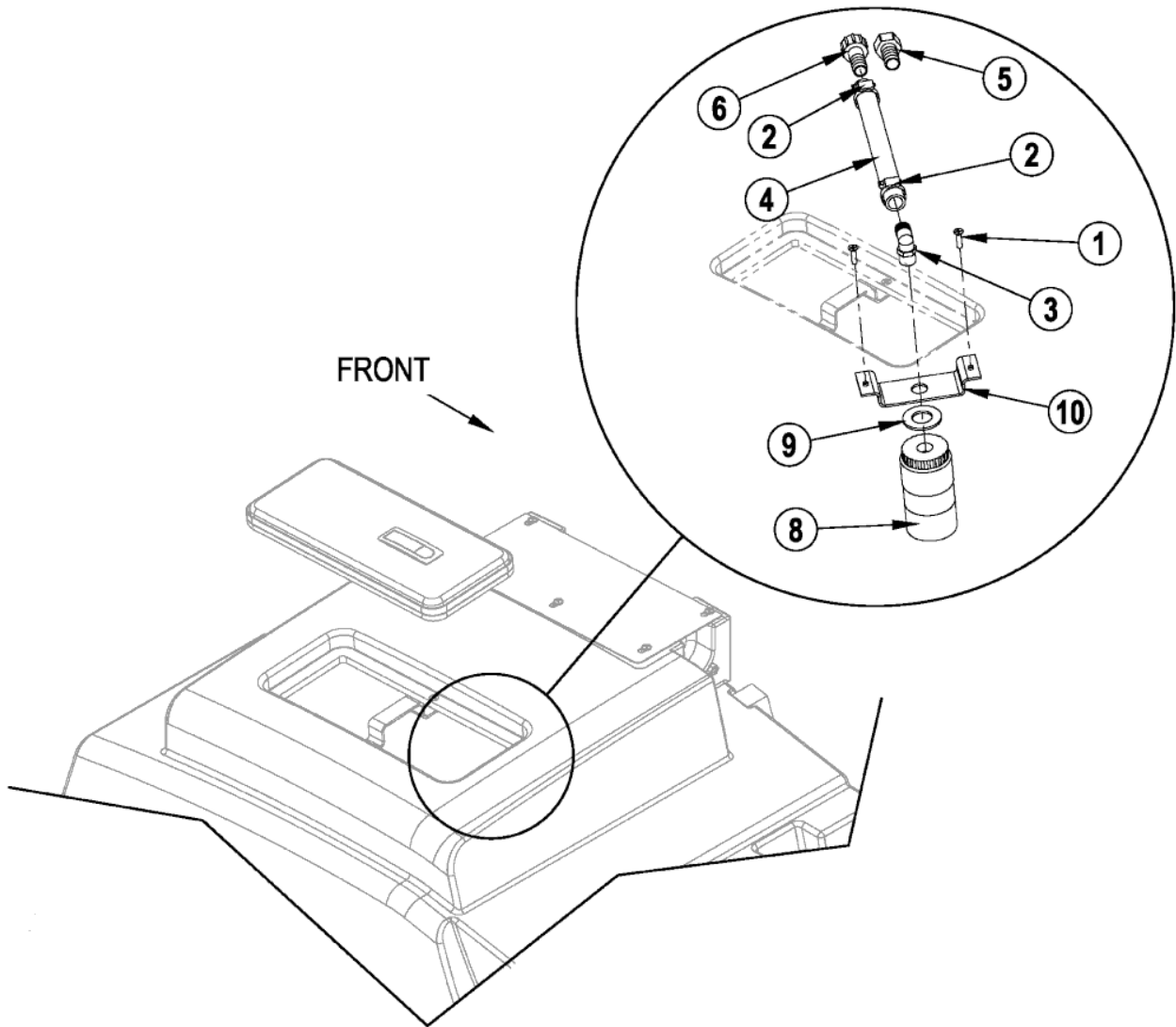
FIGURE 1



| Pos. | Artikel-Nr. | Menge | Variante | Notes |
|------|-------------|-------|--------------------------------|-------|
| | 56305820 | 1 | Füllstandsabschaltung | |
| 01 | 56244969 | 2 | Schlauch-Bride | |
| 02 | 56244985 | 1 | DRAHT | |
| 04 | 56305762 | 1 | Schlauch | |
| 05 | 56305835 | 1 | BARB FEMALE SWIV3/4-14GASX19MM | |
| 06 | 56314210 | 1 | VALVE AUTOFILL | [1] |
| 07 | 56003760 | 1 | | |

Part Notes:

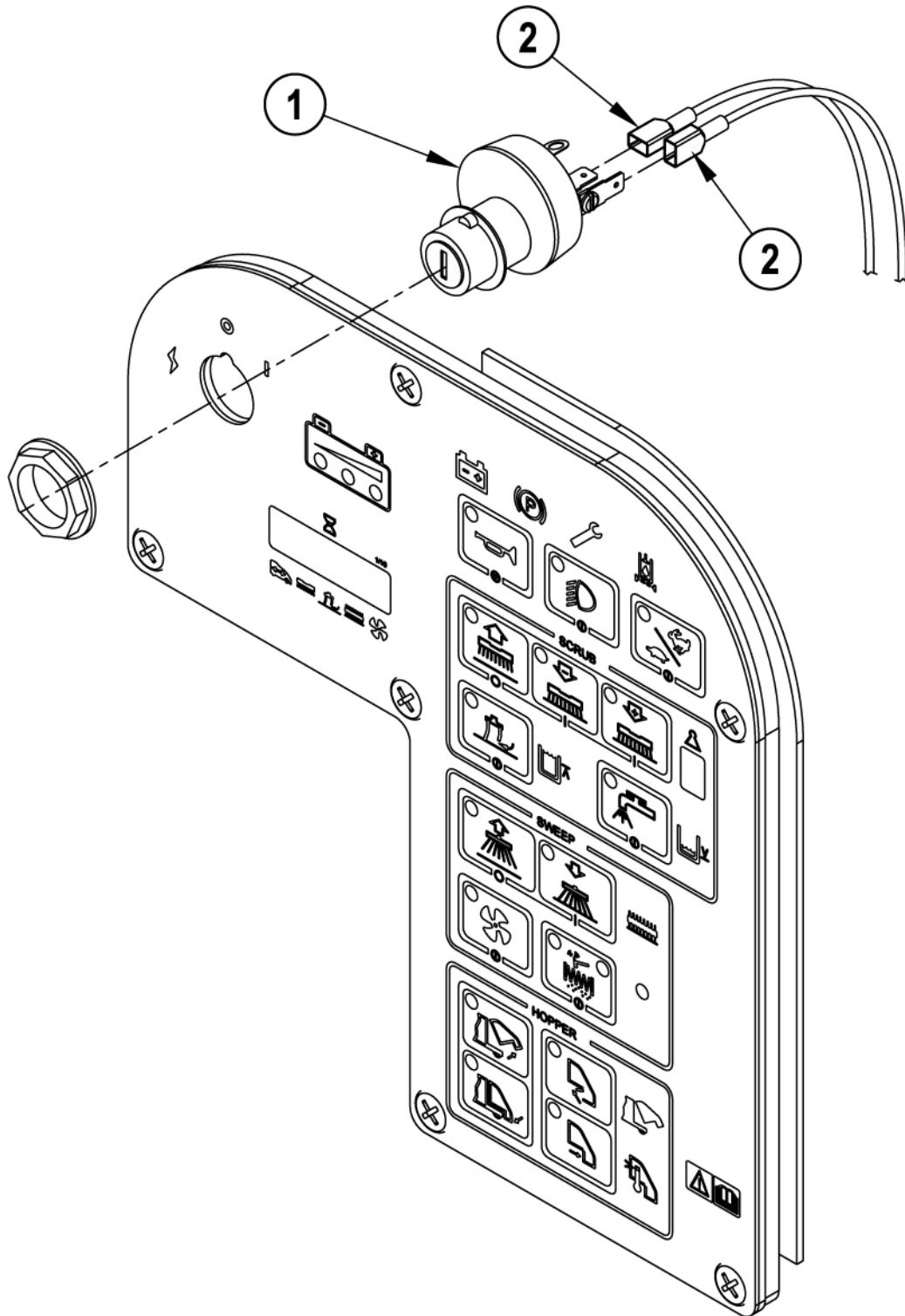
[1] - MULTPL REPL SEE CUST SRVC



| Pos. | Artikel-Nr. | Menge | Variante | Notes |
|------|-------------|-------|--------------------------------|-------|
| | 56305896 | 1 | Füllstandsabschaltung | |
| 01 | 56003074 | 2 | Schraube FLT PHIL SS | |
| 02 | 56244969 | 2 | Schlauch-Bride | |
| 03 | 56244985 | 1 | DRAHT | |
| 04 | 56305318 | 1 | HOSE 10.5 SPIRAL E00605 | |
| 06 | 56305835 | 1 | BARB FEMALE SWIV3/4-14GASX19MM | |
| 08 | 56314210 | 1 | VALVE AUTOFILL | [1] |
| 09 | 2-00-05239 | 1 | WSHR-FLAT 2.000X1.063X.125 SST | [2] |
| 10 | 56110910 | 1 | BRACKET VALVE MOUNT | [3] |

Part Notes:

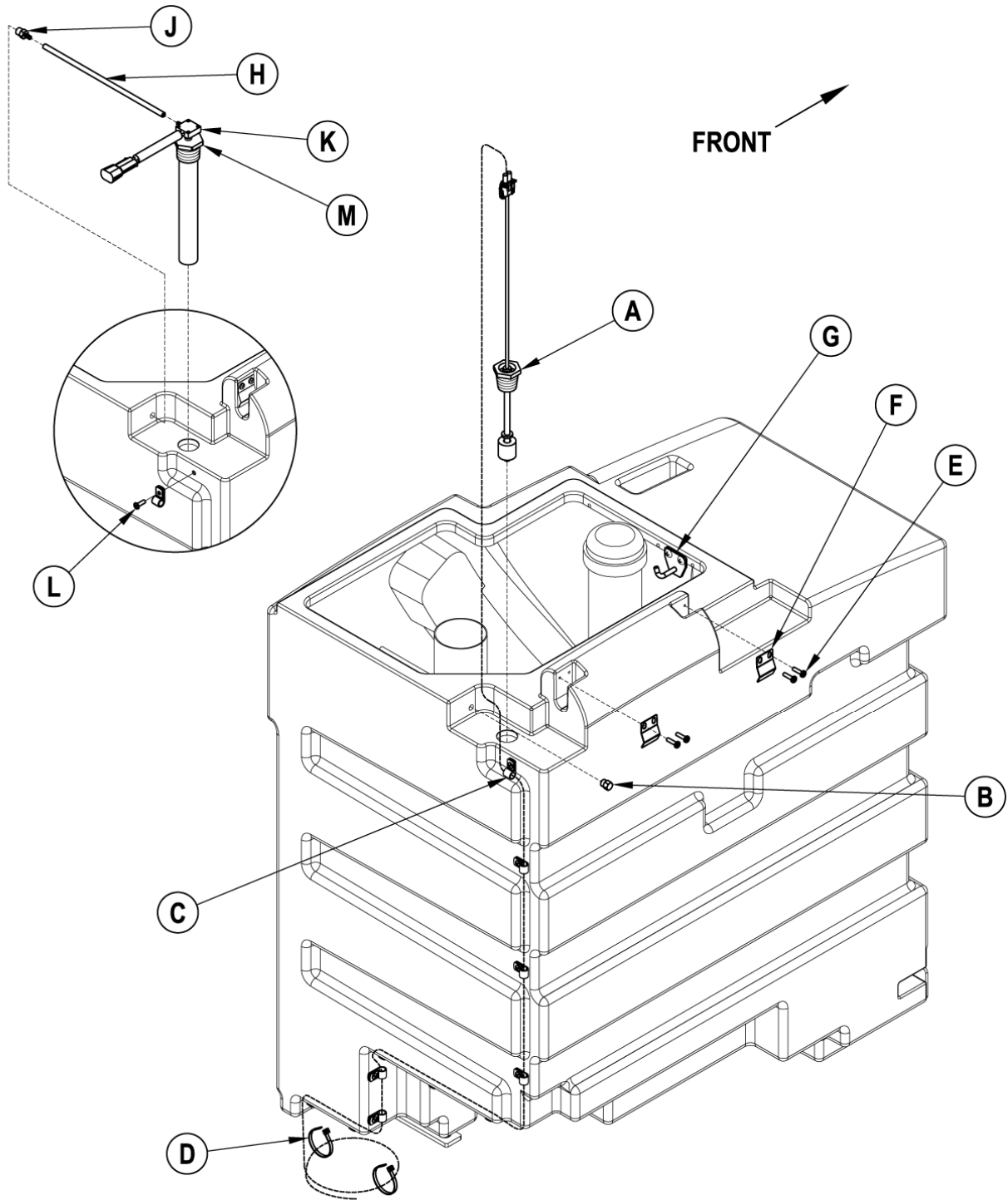
- [1] - MULTPL REPL SEE CUST SRVC
- [2] - EXPIRED USE 56004012
- [3] - SEE MI-SP-007



| Pos. | Artikel-Nr. | Menge | Variante | Notes |
|------|-------------|-------|--------------------------|-------|
| | 56303554 | 1 | Schlüsselschalter CR1200 | |
| 01 | 56303553 | 1 | KEY SWITCH ASSEMBLY | |
| 02 | 56469384 | 2 | RECEPTACLE TAB .250 | [1] |

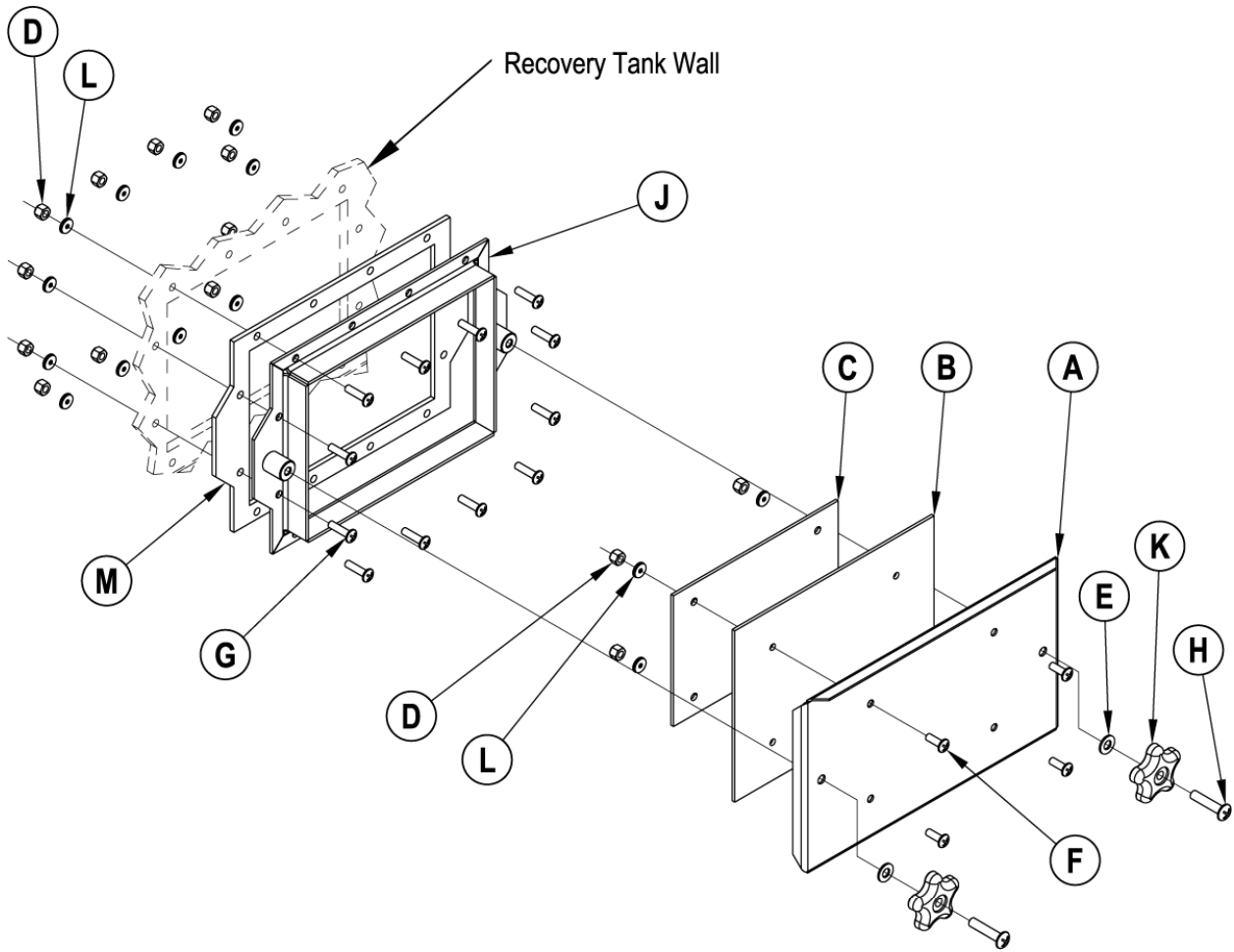
Part Notes:

[1] - PREASSEMBLED TO KEY SWITCH



Note: 80 gallon recovery tank is shown, 60 gallon tank is similar.

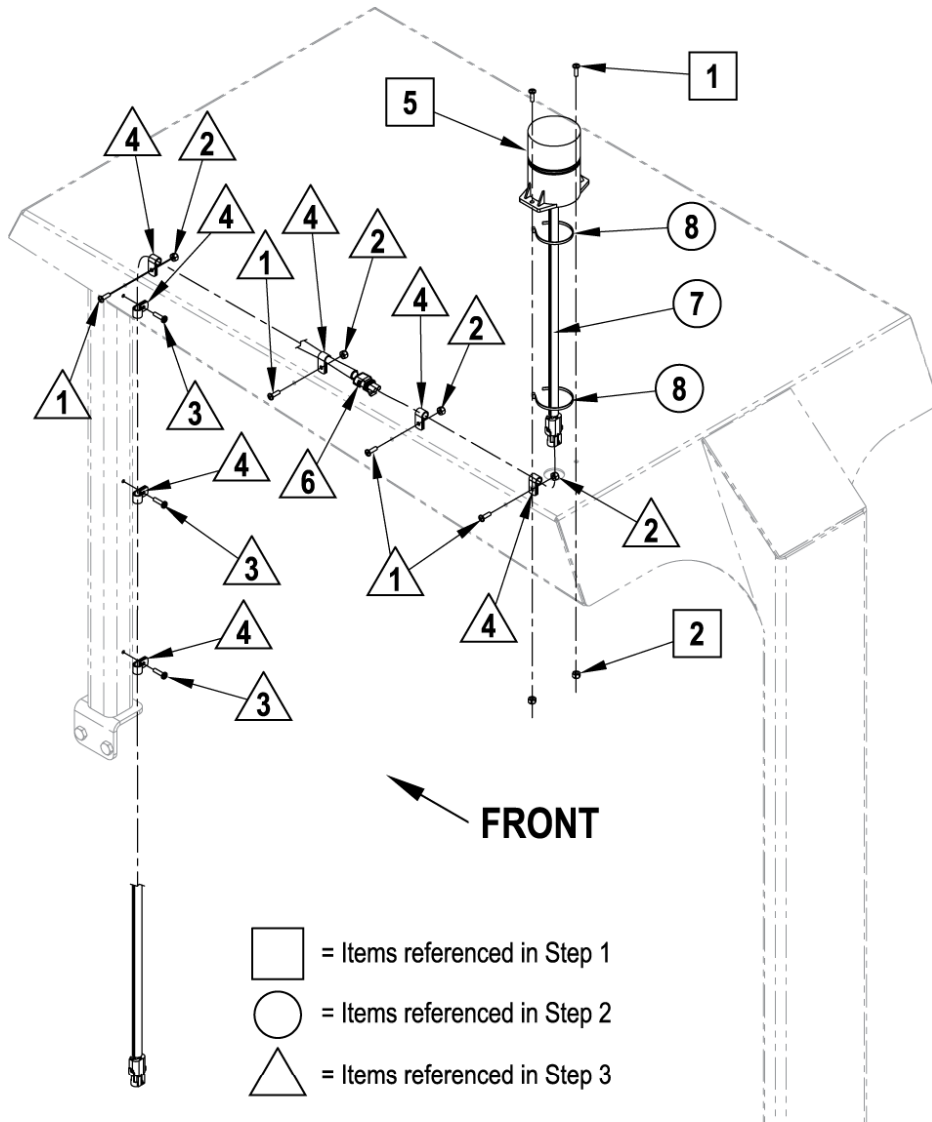
| Pos. | Artikel-Nr. | Menge | Variante | Notes |
|------|-------------|-------|---------------------------|-------|
| | 56305978 | 1 | Schalter f. Schmutz- | |
| 0A | 56305977 | 1 | Schwimmerschalter CR 1400 | |
| 0B | 2-00-03778 | 1 | HEX HD 1/8 NPT PLUG | |
| 0C | 56220507 | 13 | Klammer | |
| 0D | 56478246 | 2 | CABLE TIE E00549 RE438BA | |



| Pos. | Artikel-Nr. | Menge | Variante | Notes |
|------|-------------|-------|--------------------------------|-------|
| | 56303572 | 1 | Revisionsklappe | [1] |
| 0A | 56459302 | 1 | COVER | [1] |
| 0B | 56459303 | 1 | GASKET,DOOR | [1] |
| 0C | 56459312 | 1 | PLATE | [1] |
| 0D | 56002491 | 16 | Stopmutter 1/4-20 | |
| 0E | 56002938 | 2 | WSH FLT SAE SS 5/16 | |
| 0F | 56002957 | 4 | Schraube SS 1/4 - 20 X | |
| 0G | 56003067 | 12 | Schraube 1/4-20-1.00AX 310 | |
| 0H | 56003208 | 2 | SCR PAN PHIL SS 5/16-18 X 1.50 | |
| 0J | 56303568 | 1 | FRAME WELDMENT | |
| 0K | 56396254 | 2 | Knopf | |
| 0L | 56900737 | 16 | UNTERLAGSSCHEIBE | |
| 0M | 56303578 | 1 | GASKET BASE | [2] |

Part Notes:

- [1] - NO LONGER AVAILABLE
 [2] - SEE PI 2017-002

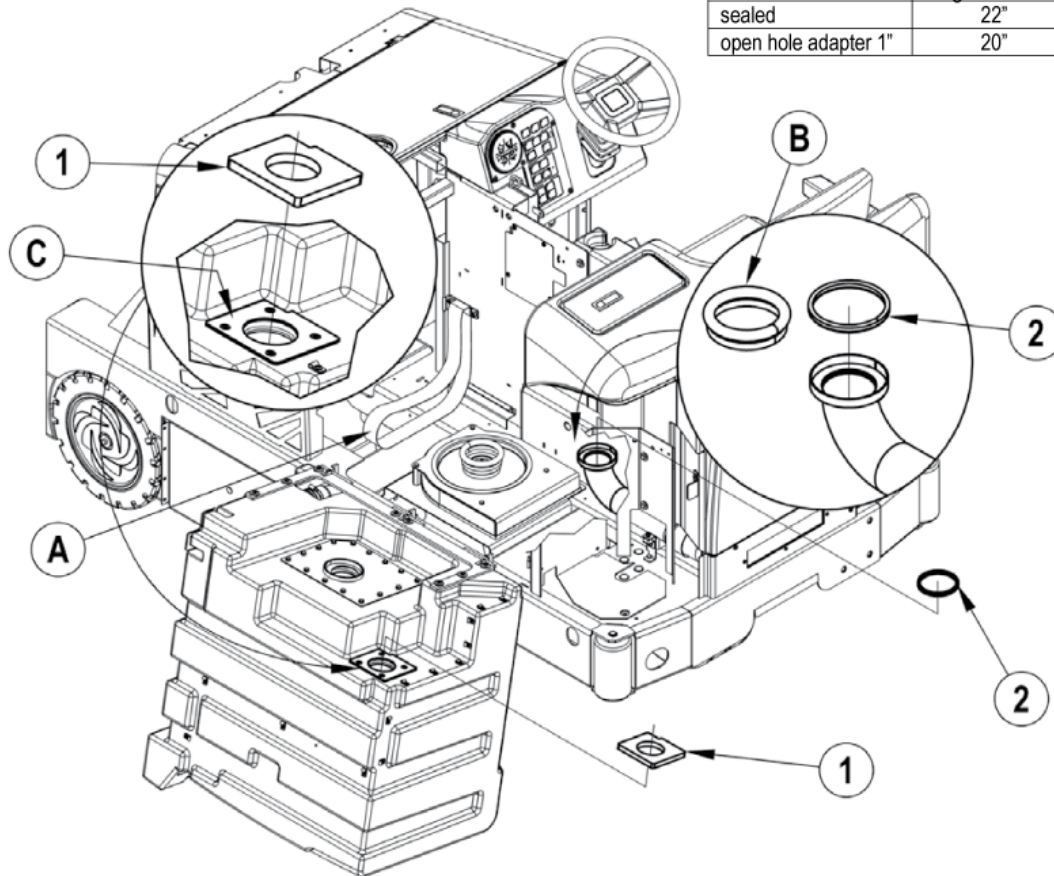


| Pos. | Artikel-Nr. | Menge | Variante | Notes |
|------|-------------|-------|--------------------------------|-------|
| | 56303579 | 1 | OH GUARD BEACON KIT | |
| 01 | 56002124 | 6 | Schraube10-24 X .62 PNH PH. | |
| 02 | 56002768 | 6 | 1/4-20 NYLOC NUT | |
| 03 | 56009043 | 3 | SCR PAN PHIL THD FORM10-24X.75 | |
| 04 | 56172017 | 7 | P-CLIP E00129 | |
| 05 | 56307166 | 1 | Rundumleuchte | |
| 06 | 56307165 | 1 | HARNESS BEACON | |
| 07 | 56307171 | 1 | CONDUIT | [1] |
| 08 | 56478246 | 2 | CABLE TIE E00549 RE438BA | |

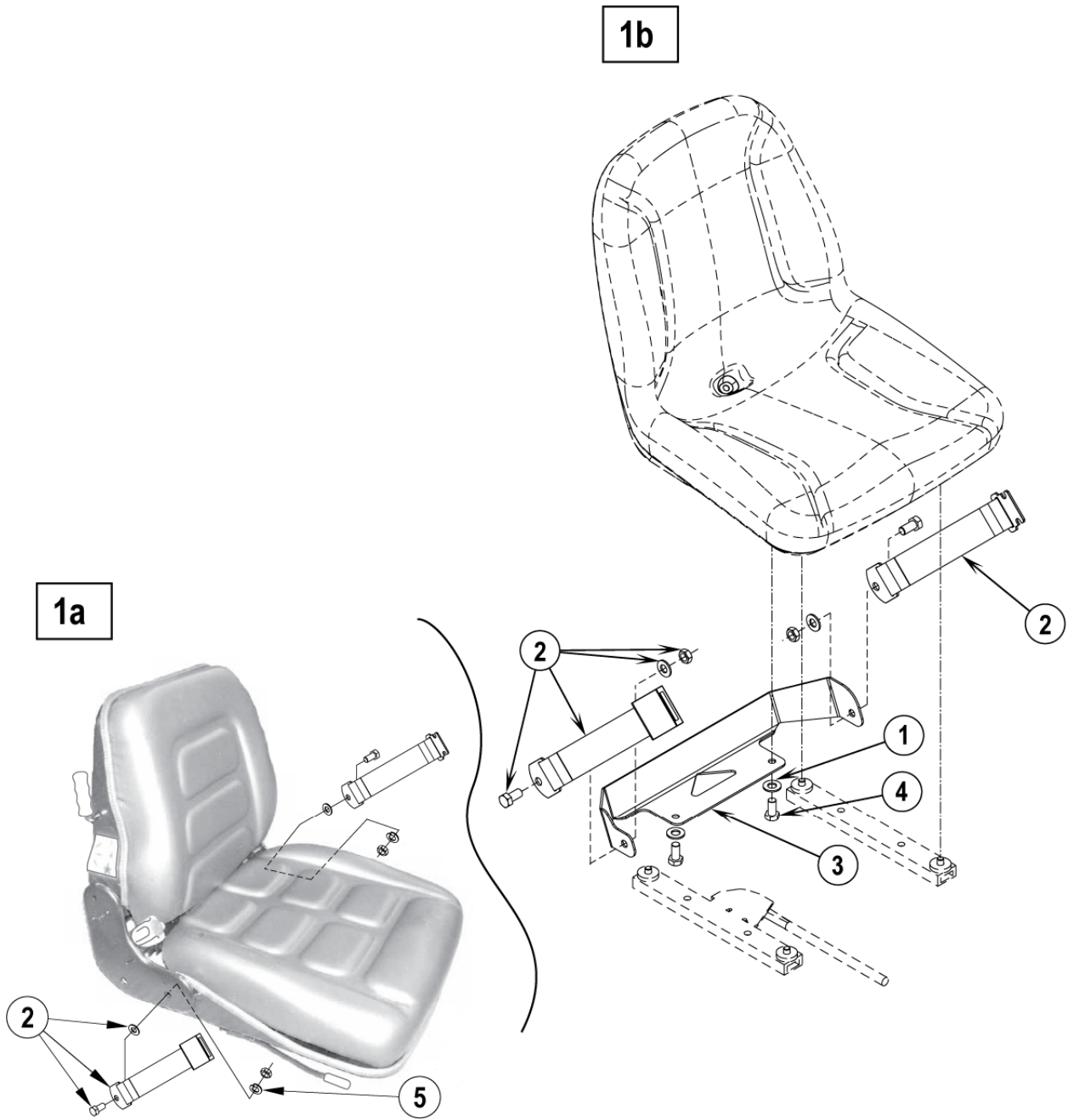
Part Notes:

[1] - SEE PI 2017-002

| Vacuum water lift | Engine models | Battery models |
|----------------------|---------------|----------------|
| sealed | 22" | 72" |
| open hole adapter 1" | 20" | 6.3" |



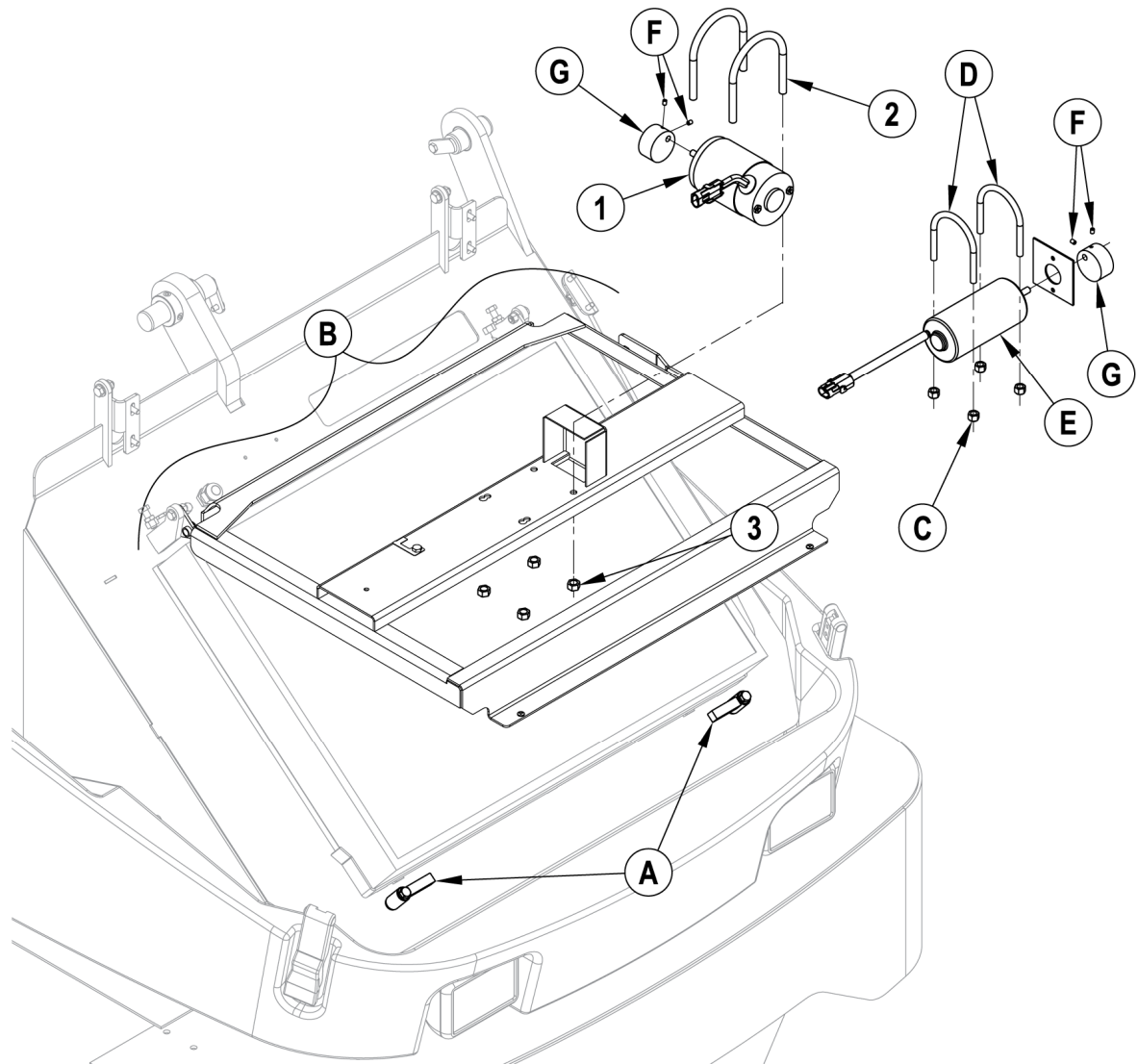
| Pos. | Artikel-Nr. | Menge | Variante | Notes |
|------|-------------|-------|-------------------------|-------|
| | 56307221 | 1 | Dichtungskit Ansaugens. | |
| 01 | 56307219 | 1 | Schaumdichtung | |
| 02 | 56307220 | 1 | Kantenschutz | |



| Pos. | Artikel-Nr. | Menge | Variante | Notes |
|------|-------------|-------|--------------------------|-------|
| 00 | 56109306 | 1 | Sicherheitsgurt-Kit | [1] |
| 01 | 56001939 | 2 | Flachdichtung 5/16 | |
| 02 | 56109306 | 1 | Sicherheitsgurt-Kit | [2] |
| 03 | 56507886 | 1 | BRACKET SEAT BELT MTG | |
| 04 | 56001862 | 2 | SCR HEX HD 5/16-18 X .50 | |
| 05 | 2-00-02312 | 2 | Scheibe | |

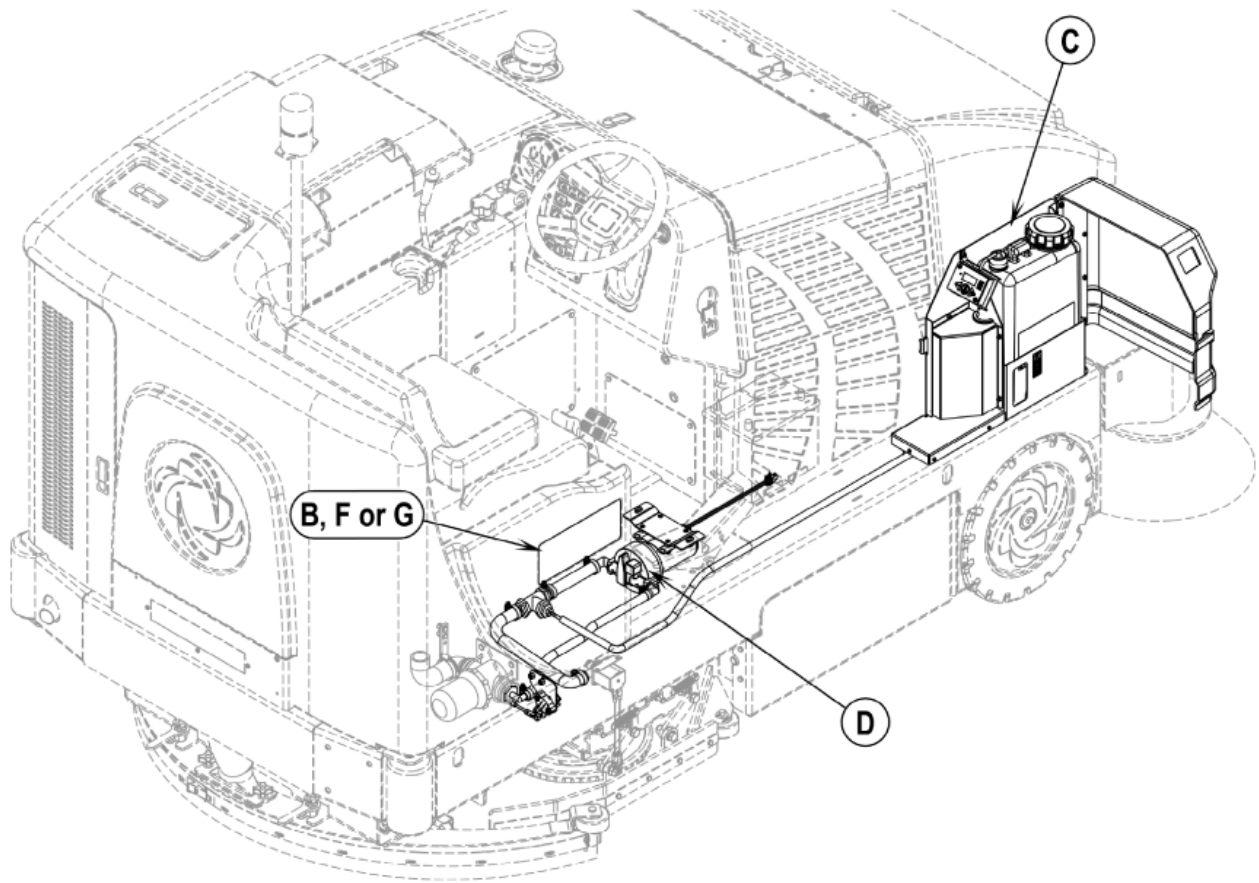
Part Notes:

- [1] - SEE TSB-FC-2015-040
TSB-FC-2015-040 Replacement Parts
- [2] - INCLUDES HARDWARE
SEE TSB-FC-2015-040
TSB-FC-2015-040 Replacement Parts



| Pos. | Artikel-Nr. | Menge | Variante | Notes |
|------|-------------|-------|--------------------------|-------|
| | 56508773 | 1 | Rüttelmotorkit | |
| 01 | 56508664 | 1 | Rüttelmotor 12V | |
| 02 | 56508888 | 2 | Bügel | |
| 03 | 56002841 | 4 | NUT HEX NYL LOC-THIN 3/8 | |

FIGURE 1

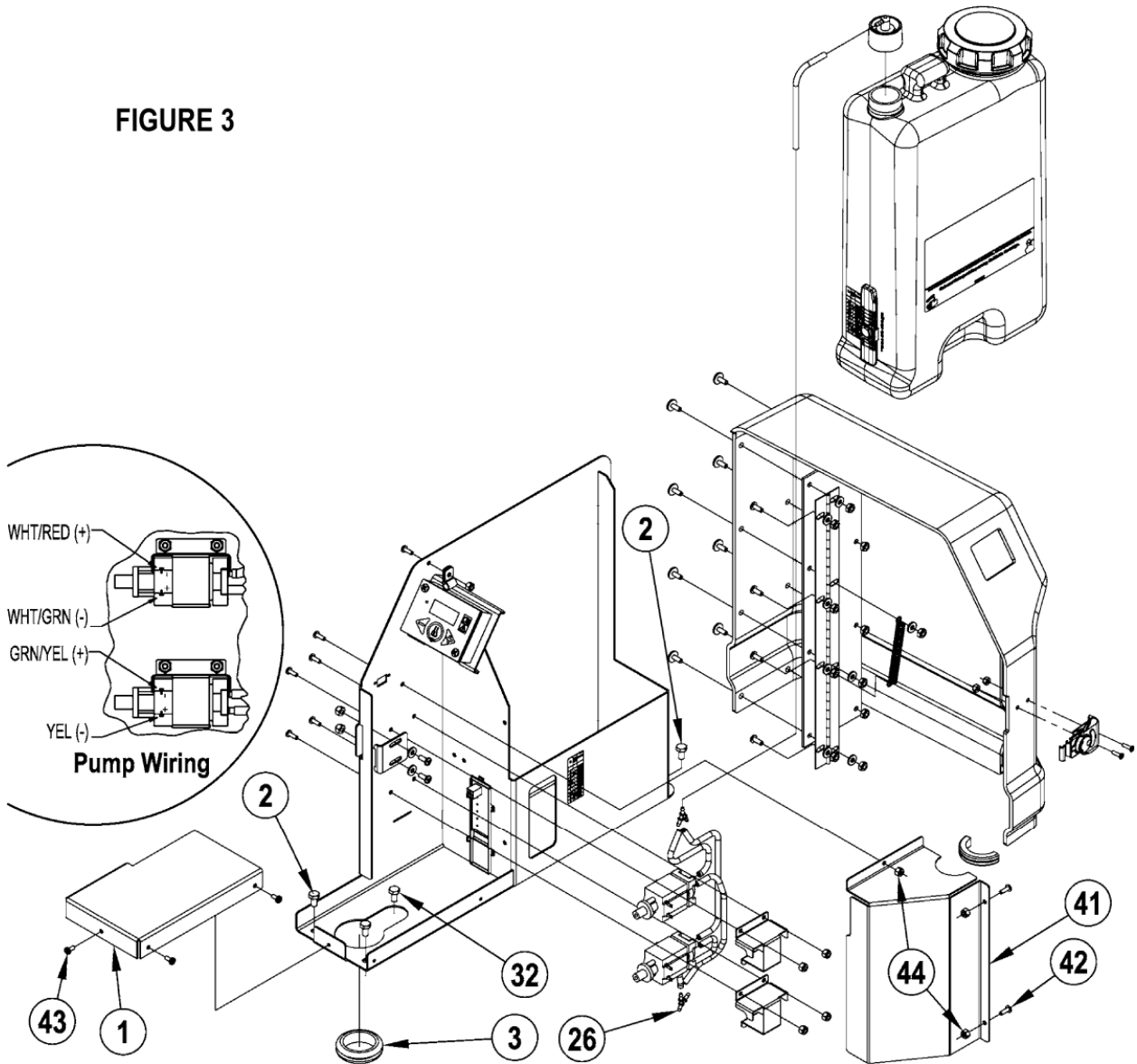


| Pos. | Artikel-Nr. | Menge | Variante | Notes |
|------|-------------|-------|------------------------------|-------|
| | 56306138 | 1 | EDS-Set 12VDC | [1] |
| 0A | 56009063 | 1 | SCR HEX THD FORM 10-24X .25 | |
| 0B | 56303590 | 2 | | |
| 0C | 56306125 | 1 | CONTROL BOX ASSY 12 VDC | [2] |
| 0D | 56306149 | 1 | PUMP ASSY 12 VDC | [3] |
| 0E | 56306166 | 1 | HARNESS IC CAPTOR AXP | |
| 0F | 56306179 | 2 | DECAL CR1200 EDS | |
| 0G | 56306180 | 2 | DECAL CR1400 EDS | |
| 0H | 56387316 | 1 | Schütz 10A | |
| 0I | 56418387 | 1 | Relais, SPDT | |
| 0J | 56459367 | 1 | Abdeckung Rückstellknopf5015 | |
| 0K | 56459825 | 1 | Reduzierung | |
| 0L | 56002098 | 1 | Scheibe | |
| 0M | 56002708 | 1 | Stopmutter 1/4-20 | |
| 0N | 56409463 | 1 | Clamp, 1.25 Hose support | |

Part Notes:

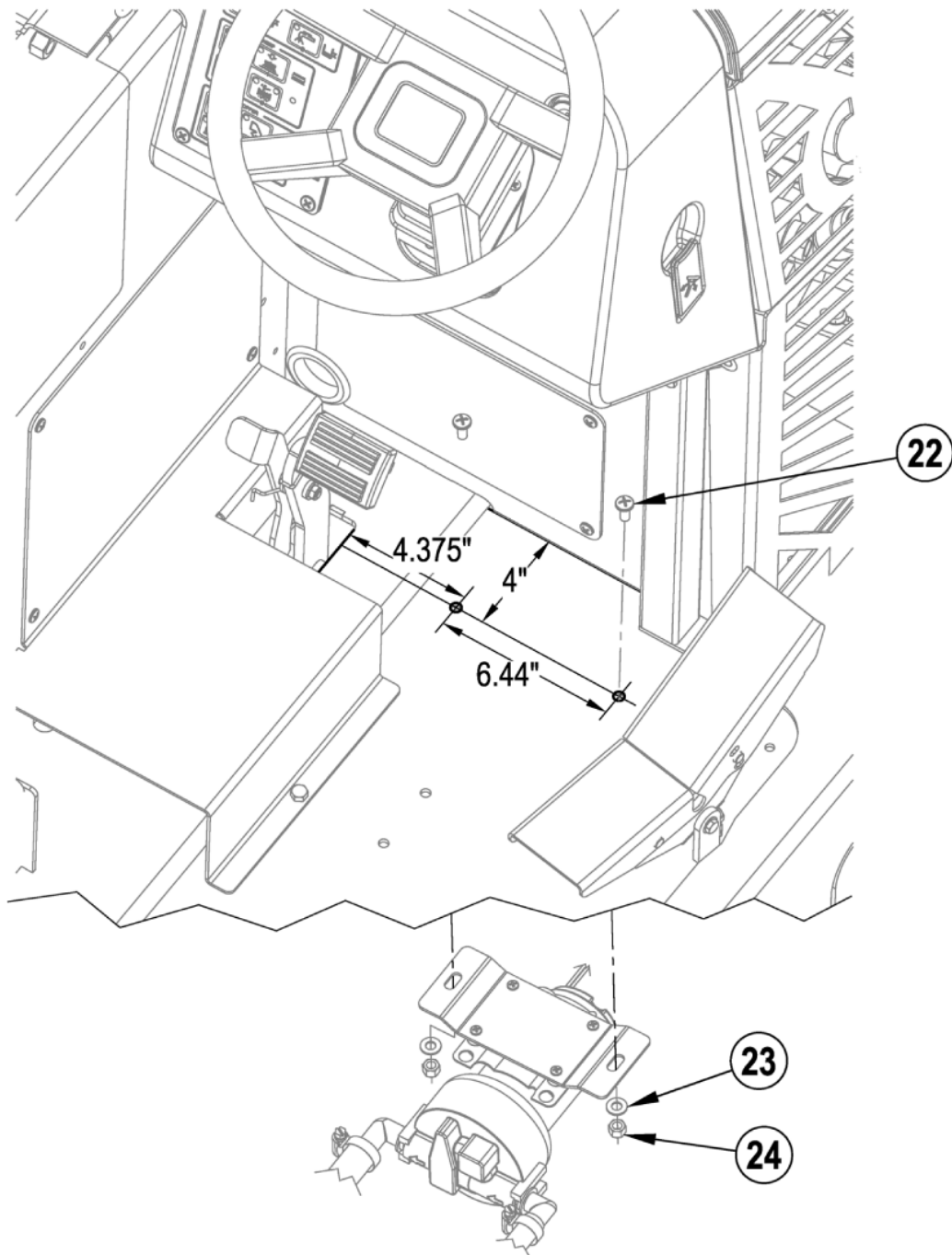
- [1] - PRUNED ACCESSORY
- [2] - SEE PI 2017-002
- [3] - NON-SALEABLE USE 56306140

FIGURE 3



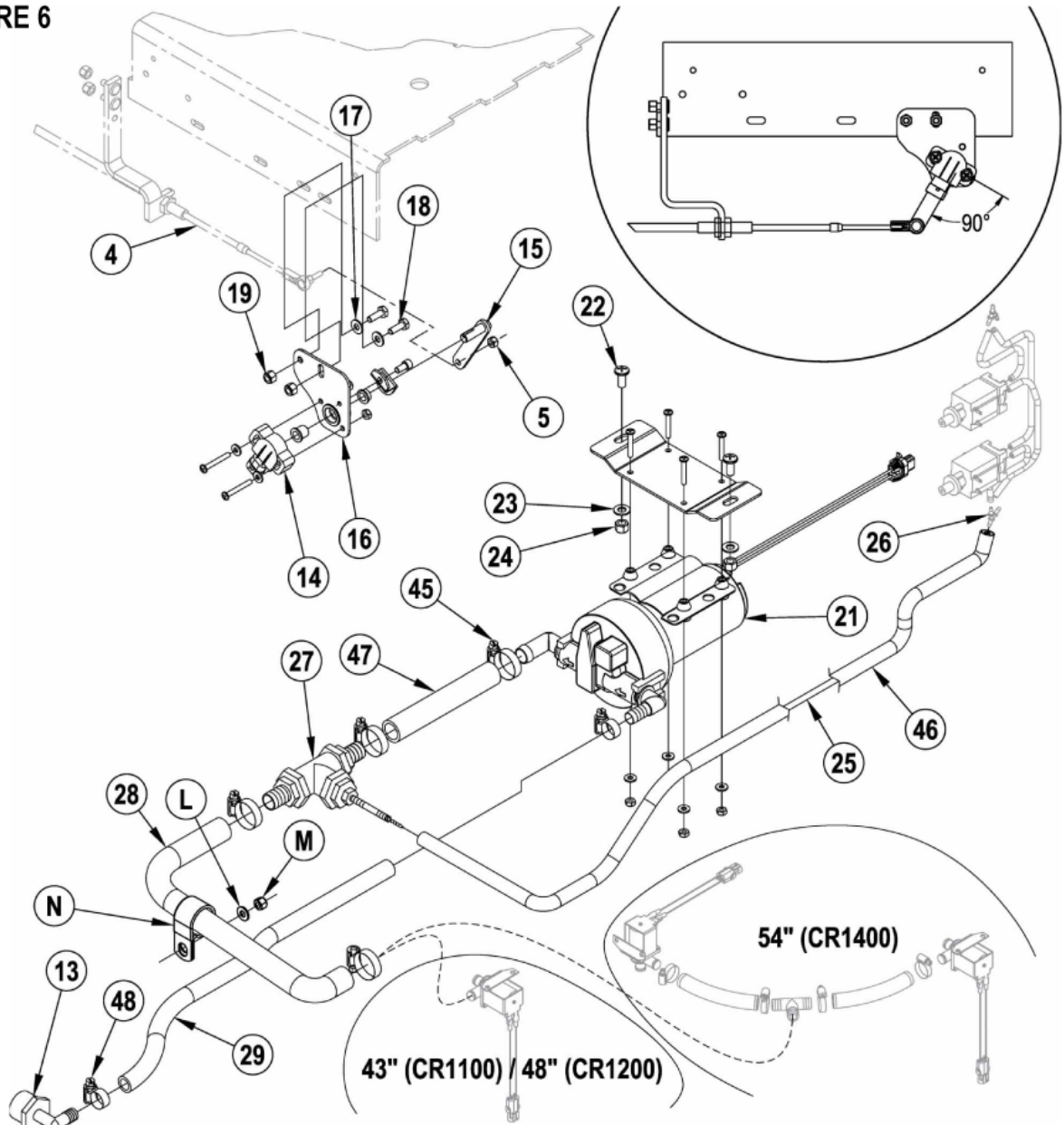
| Pos. | Artikel-Nr. | Menge | Variante | Notes |
|------|-------------|-------|--------------------------------|-------|
| 01 | 56306148 | 1 | COVER | |
| 02 | 56009033 | 4 | Schraube 1/4-20X1 2HP 5 | |
| 03 | 56054715 | 1 | GROMMET E00059 | |
| 32 | 56009033 | 1 | Schraube 1/4-20X1 2HP 5 | |
| 41 | 56306198 | 1 | PUMP COVER | |
| 42 | 56002003 | 8 | SCR PAN PHIL 8-32 X .50 | |
| 43 | 56002523 | 3 | SCR PAN HD PHIL HP5 8-32 X .38 | |
| 44 | 56002808 | 8 | NUT HEX NYLOC 8-32 | |

FIGURE 5



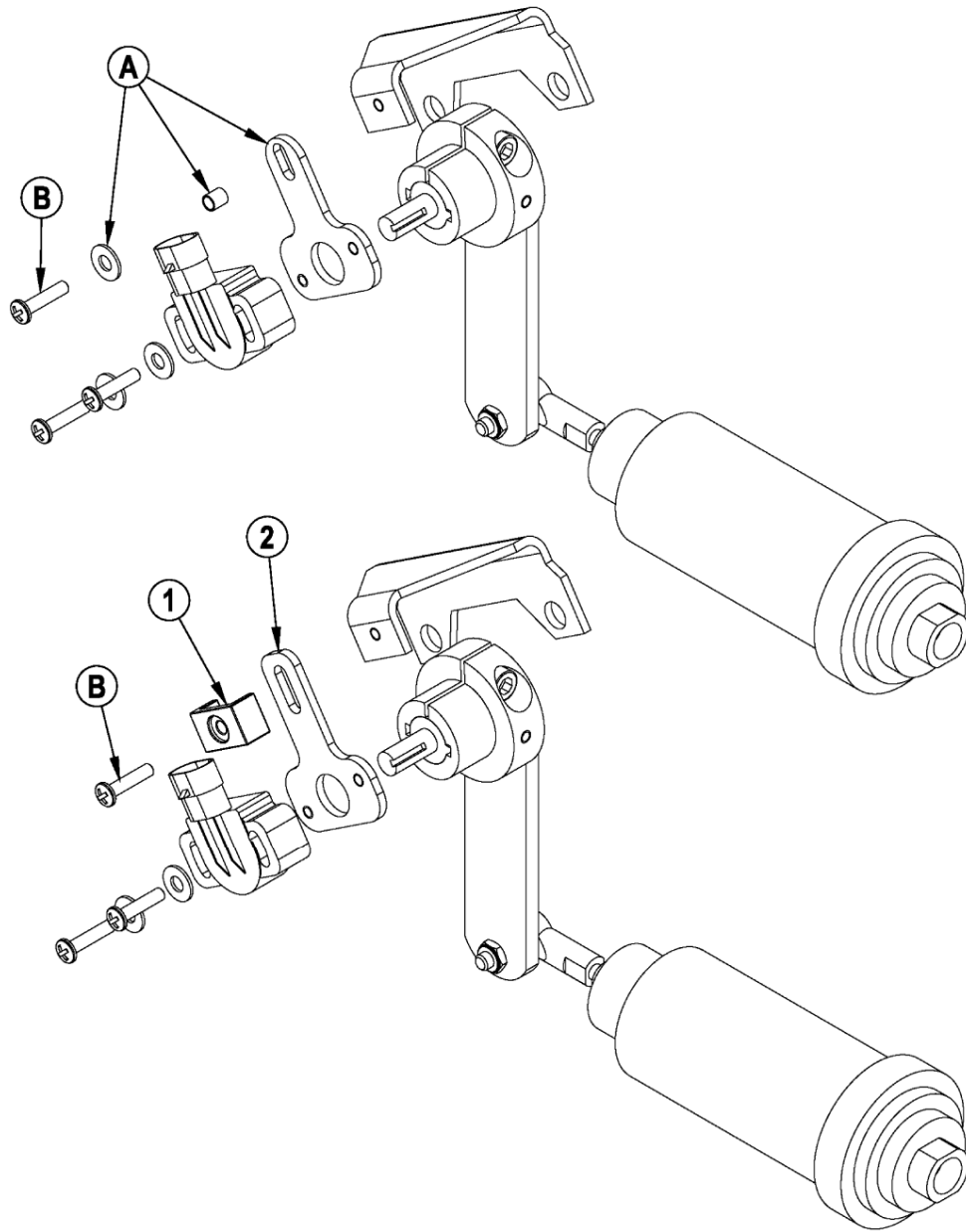
| Pos. | Artikel-Nr. | Menge | Variante | Notes |
|------|-------------|-------|---------------------------|-------|
| 22 | 56002793 | 2 | Schraube PAN PHIL 5/16-18 | |
| 23 | 56001939 | 2 | Flachdichtung 5/16 | |
| 24 | 56002701 | 2 | MUTTER 5-16-18 HEX JAM | |

FIGURE 6



| Pos. | Artikel-Nr. | Menge | Variante | Notes |
|------|-------------|-------|----------------------------|-------|
| 13 | 56900245 | 1 | BARB ELBOW E00037 | |
| 14 | 56303313 | 1 | Sensor f. Fahrpedal | |
| 15 | 56306129 | 1 | CONTROL ARM WELDT | |
| 16 | 56306165 | 1 | PIVOT SENSOR WELT | |
| 17 | 56002098 | 2 | Scheibe | |
| 18 | 56002155 | 2 | SCR HEX 1/4-20 X .75 | |
| 19 | 56002708 | 2 | Stopmutter 1/4-20 | |
| 22 | 56002793 | 2 | Schraube PAN PHIL 5/16-18 | |
| 23 | 56001939 | 2 | Flachdichtung 5/16 | |
| 24 | 56002701 | 2 | MUTTER 5-16-18 HEX JAM | |
| 25 | 56314942 | 1 | Schlauch | |
| 27 | 56306194 | 1 | T-Stück | |
| 28 | 56305591 | 1 | HOSE SPIRAL .750 E00605 | |
| 29 | 56412277 | 1 | Schlauch f. Frischwasser- | |
| 45 | 56244969 | 4 | Schlauch-Bride | |
| 46 | 56306168 | 1 | CONDUIT SOLUTION HOSE 44LG | |
| 47 | 56305762 | 1 | Schlauch | |
| 48 | 56219932 | 2 | Briede | |

CR 1200, 1400



| Pos. | Artikel-Nr. | Menge | Variante | Notes |
|------|-------------|-------|-----------------|-------|
| | 56508926 | 1 | Impulsgeber | |
| 01 | 56111895 | 1 | Führungsschiene | |
| 02 | 56305980 | 1 | Sensorplatte | |

