

**Ersatzteilliste**  
**Spare Parts List**  
**Liste des pièces de rechange**

# HDS 600 CI

- 1.962-402.0 HDS 600 CI \* EUROPA
- 1.962-403.0 HDS 600 CI \* CH
- 1.962-404.0 HDS 600 CI \* EUROPA
- 1.962-405.0 HDS 600 CI \* VEX

GRUPPE: 1.0 EINZELTEILE  
GROUP: 1.0 PIECE PARTS  
GRUPPE: 1.0 PIECES CONSTITUANTES

**A1**

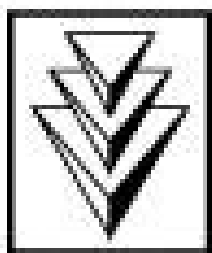
**HDS 600 CI**

**GRUPPE: 1.0 EINZELTEILE**  
**GROUP: 1.0 PIECE PARTS**  
**GRUPPE: 1.0 PIECES CONSTITUANTES**

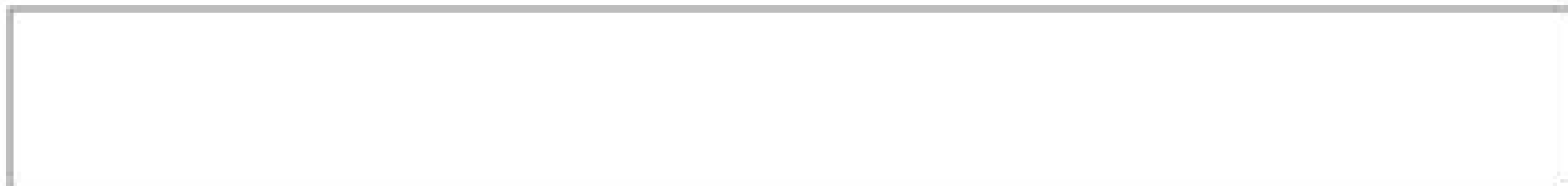
GRUPPE: 1.1 HAUBE  
GROUP: 1.1 COVER  
GRUPPE: 1.1 CAPOT

**B1**

**HDS 600 CI**



**KÄRCHER**



Symbolbeschreibung siehe M16 / symbol description see M16 / désignation de système voir M16 /

GRUPPE: 1.1 HAUBE  
GROUP: 1.1 COVER  
GROUPE: 1.1 CAPOT

C1

HDS 600 CI

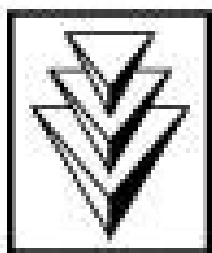
POS. ITM. POS.	BENNENUNG DESCRIPTION DESIGNATION	TEILE-NR. PART-NO. NO.PIECE	STCK QTY. NBR.
1	HAUBE / COVER / CAPOT / 1.962-402.0 / -404.0 / -405.0	5.066-686.0	1
1	HAUBE / COVER / CAPOT / 1.962-403.0	5.066-703.0	1
2	GRIF LINKS / HANDLE / POIGNEE	5.321-280.0	1
3	BL.SCHR. ST4,8X19 / SHEET METAL SCREW / VIS A TOLE	7.303-078.0	4
4	BOLZEN / BOLT / BOULON	5.316-240.0	2
5	GRIF RECHTS / HANDLE / POIGNEE	5.321-278.0	1
6	BL.SCHR. ST4,8X13 / SHEET METAL SCREW / VIS A TOLE	7.303-076.0	2
7	HALTER / BRACKET / FIXATION	5.042-561.0	2
8	HALTER / BRACKET / FIXATION	5.042-462.0	2
9	STECKMUTTER / NUT / ECROU / 1.962-403.0	6.310-053.0	1
10	LASCHE / RETAINER CLIP / ECLISSE / 1.962-403.0	5.004-519.0	1
11	SCHEIBE 6 / WASHER / RONDELLE / 1.962-403.0	7.312-033.0	1
12	ZYL.SCHR. M 6X 20 / CHEESE HEAD SCREW / VIS A TETE CYLINDR. / 1.962-403.0	7.306-462.0	1

"=> xxxxxx" = bis Werknummer / up to serial No. / jusqu' au No. de fabr. / "xxxxxx =>" = ab Werknummer / from serial No. / a partir du No. de fabr. /

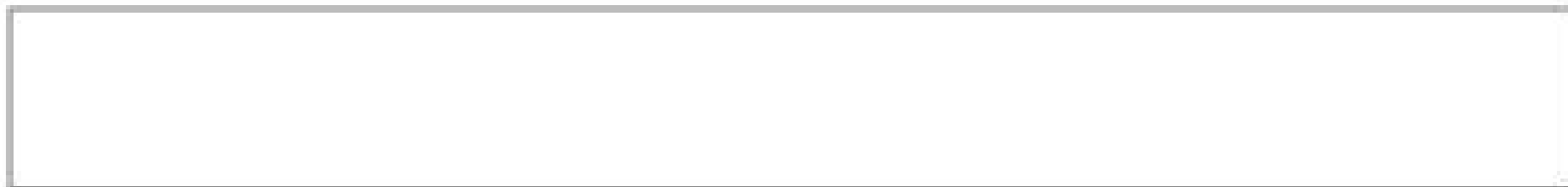
GRUPPE: 1.2 TANK  
GROUP: 1.2 TANK  
GRUPPE: 1.2 RESERVOIR

D1

HDS 600 CI



**KÄRCHER**



Symbolbeschreibung siehe M16 / symbol description see M16 / désignation de système voir M16 /

GRUPPE: 1.2 TANK  
GROUP: 1.2 TANK  
GROUPE: 1.2 RESERVOIR

E1

HDS 600 CI

POS.	BENNENUNG	TEILE-NR.	STCK
ITM.	DESCRIPTION	PART-NO.	QTY.
POS.	DESIGNATION	NO.PIECE	NBR.

1	DECKEL BRENNSTOFF / COVER / COUVERCLE	5.063-565.0	1
2	DICHTRING / JOINT RING / BAGUE D'ETANCHEITE	5.363-290.0	1
3	FILTER / FILTER / FILTRE	5.731-039.0	1
4	BRENNSTOFFTANK / FUEL TANK / RESERVOIR COMBUSTION	5.071-078.0	1
5	HALTER / BRACKET / FIXATION	5.042-463.0	1
6	SCHRAUBE M 6X 20 / SCREW / VIS	6.303-105.0	2
7	SCHEIBE 6 / WASHER / RONDELLE	7.312-291.0	2
8	AUFLAGER / SUPPORT / SUPPORT	5.057-040.0	1
9	DECKEL / COVER / COUVERCLE	5.063-360.0	1
10	O-RING 50,0 X 4,0 / GASKET / BAQUE D'ETANCHEITE	6.362-635.0	1
11	PROFILDICHTUNG / SEAL / ETOUPE PROFILE	5.365-147.0	1
12	CHEMIETANK / CHEMISTRIE TANK / RESERVOIR A CHEMIE	5.071-038.0	1
13	FILTER / FILTER / FILTRE	6.414-028.0	1
14	SCHLAUCHSCHELLE / HOSE BAND CLIP / COLLIER DE SERRAGE	6.388-559.0	1
15	SCHLAUCH DN 7 / HOSE / TUYAU FLEXIBLE	6.388-225.0	1

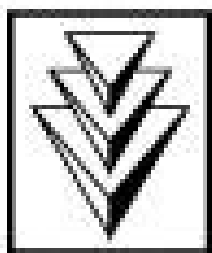
**ALS METERWARE BESTELLEN/TO ORDER AS CUT  
GOODS/COMMANDE COMME MARCHANDISE AU METRE**

"=> xxxxxx" = bis Werknummer / up to serial No. / jusqu' au No. de fabr. / "xxxxxx =>" = ab Werknummer / from serial No. / a partir du No. de fabr. /

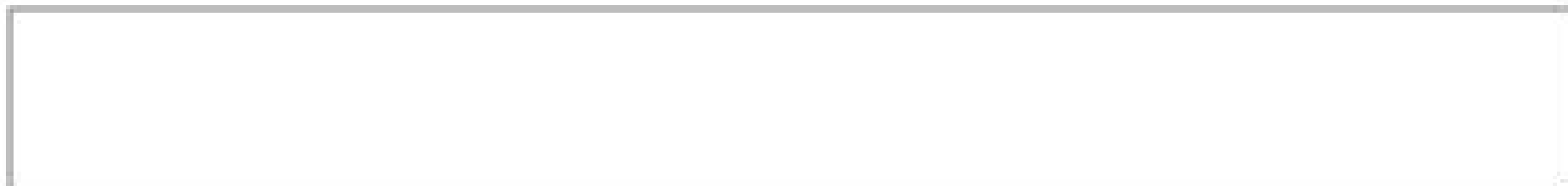
GRUPPE: 1.3 RAHMEN  
GROUP: 1.3 FRAME  
GRUPPE: 1.3 CADRE

F1

HDS 600 CI



**KÄRCHER**



Symbolbeschreibung siehe M16 / symbol description see M16 / désignation de système voir M16 /

GRUPPE: 1.3 RAHMEN  
GROUP: 1.3 FRAME  
GROUPE: 1.3 CADRE

G1

HDS 600 CI

POS. ITM. POS.	BENNENUN DESCRIPTION DESIGNATION	TEILE-NR. PART-NO. NO.PIECE	STCK QTY. NBR.
1	GRIFF KPL. / HANDLE / POIGNEE	4.321-069.0	1
2	GRIFF / HANDLE / POIGNEE	5.321-440.0	1
3	SCHRAUBE M 8X 30 / SCREW / VIS	6.303-191.0	2
4	FL.SCHR. M 6X 35 / FLAT SCREW / VIS	7.306-550.0	2
5	SCHRAUBE M 8X 16 / SCREW / VIS	6.303-031.0	4
6	ZAHNSCHEIBE A 8,4 / LOCK WASHER / ROUE PLATE	7.312-166.0	3
7	GRIFF / HANDLE / POIGNEE	5.321-447.0	2
8	ZYL.SCHR. M 6X 45 / CHEESE HEAD SCREW / VIS A TETE CYLINDR.	7.306-514.0	2
9	SCHEIBE 6 / WASHER / RONDELLE	7.312-260.0	2
10	6KT-MUTTER M 6 / HEXAGON NUT / ECROU HEXAGONAL	7.311-512.0	2
11	RAHMEN / FRAME / CADRE	5.050-032.0	1
12	ACHSE / AXLE / ESSIEU	5.105-086.0	1
13	HUELSE / SLEEVE / DOUILLE	5.110-358.0	2
14	RAD / WHEEL / ROUE	5.515-011.0	2
15	SICHERUNGSSCHEIBE / LOCK WASHER / RONDELLE D'ARRET	6.343-162.0	2
16	KAPPE / CAP / CAPUCHON	5.392-013.0	2
17	LENKROLLE / CASTOR / ROUE PIVOTANTE	6.435-116.0	1
18	6KT-SCHR. M 8X 16 / HEXAGONAL HEAD SCREW / VIS HEXAGONAL	7.304-395.0	4
19	6KT-MUTTER M 8 / HEXAGON NUT / ECROU HEXAGONAL	7.311-004.0	4

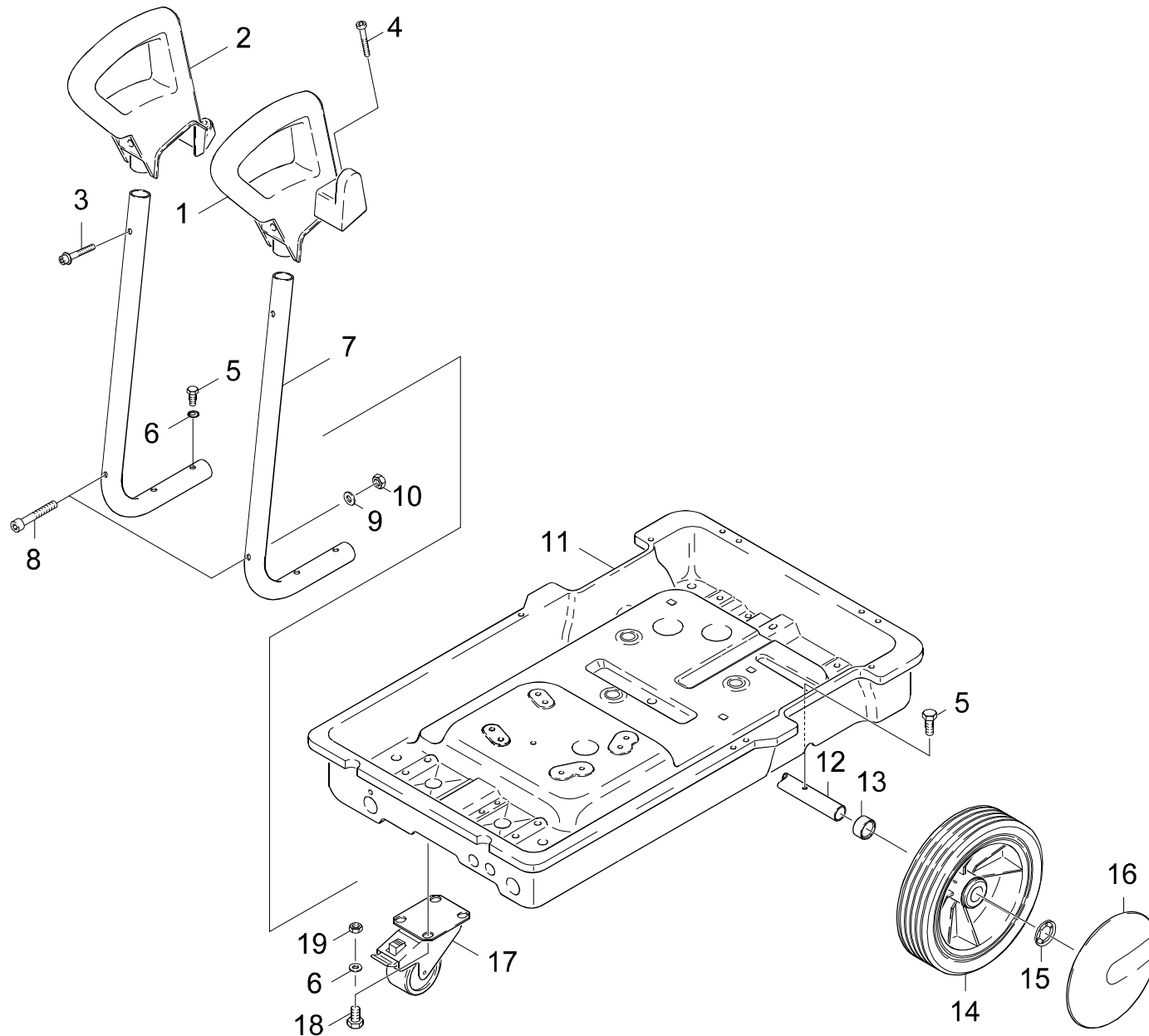
"=> xxxxxx" = bis Werknummer / up to serial No. / jusqu' au No. de fabr. / "xxxxxx =>" = ab Werknummer / from serial No. / a partir du No. de fabr. /



GRUPPE: 1.4 RAHMEN  
GROUP: 1.4 FRAME  
GRUPPE: 1.4 CADRE

H1

HDS 600 CI



Symbolbeschreibung siehe M16 / symbol description see M16 / désignation de système voir M16 /

GRUPPE: 1.4 RAHMEN  
GROUP: 1.4 FRAME  
GROUPE: 1.4 CADRE

I1

HDS 600 CI

POS. ITM. POS.	BENNENUN DESCRIPTION DESIGNATION	TEILE-NR. PART-NO. NO.PIECE	STCK QTY. NBR.
1	GRIFF KPL. / HANDLE / POIGNEE	4.321-069.0	1
2	GRIFF / HANDLE / POIGNEE	5.321-440.0	1
3	SCHRAUBE M 8X 30 / SCREW / VIS	6.303-191.0	2
4	FL.SCHR. M 6X 35 / FLAT SCREW / VIS	7.306-550.0	2
5	SCHRAUBE M 8X 16 / SCREW / VIS	6.303-031.0	4
6	ZAHNSCHEIBE A 8,4 / LOCK WASHER / ROUE PLATE	7.312-166.0	3
7	GRIFF / HANDLE / POIGNEE	5.321-447.0	2
8	ZYL.SCHR. M 6X 45 / CHEESE HEAD SCREW / VIS A TETE CYLINDR.	7.306-514.0	2
9	SCHEIBE 6 / WASHER / RONDELLE	7.312-260.0	2
10	6KT-MUTTER M 6 / HEXAGON NUT / ECROU HEXAGONAL	7.311-512.0	2
11	RAHMEN / FRAME / CADRE	5.050-032.0	1
12	ACHSE / AXLE / ESSIEU	5.105-086.0	1
13	HUELSE / SLEEVE / DOUILLE	5.110-561.0	2
14	RAD D.250 / WHEEL / ROUE	6.435-236.0	2
15	SICHERUNGSSCHEIBE / LOCK WASHER / RONDELLE D'ARRET	6.343-162.0	2
16	RADKAPPE / WHEEL CAB / ENJOLIVEUR	6.435-237.0	2
17	LENKROLLE / CASTOR / ROUE PIVOTANTE	6.435-116.0	1
18	6KT-SCHR. M 8X 16 / HEXAGONAL HEAD SCREW / VIS HEXAGONAL	7.304-395.0	4
19	6KT-MUTTER M 8 / HEXAGON NUT / ECROU HEXAGONAL	7.311-004.0	4

"=> xxxxxx" = bis Werknummer / up to serial No. / jusqu' au No. de fabr. / "xxxxxx =>" = ab Werknummer / from serial No. / a partir du No. de fabr. /

GRUPPE: 2.0 PUMPENSATZ  
GROUP: 2.0 PUMP SET  
GRUPPE: 2.0 JEU (ENSEMBLE) DE POMPE

**A2**

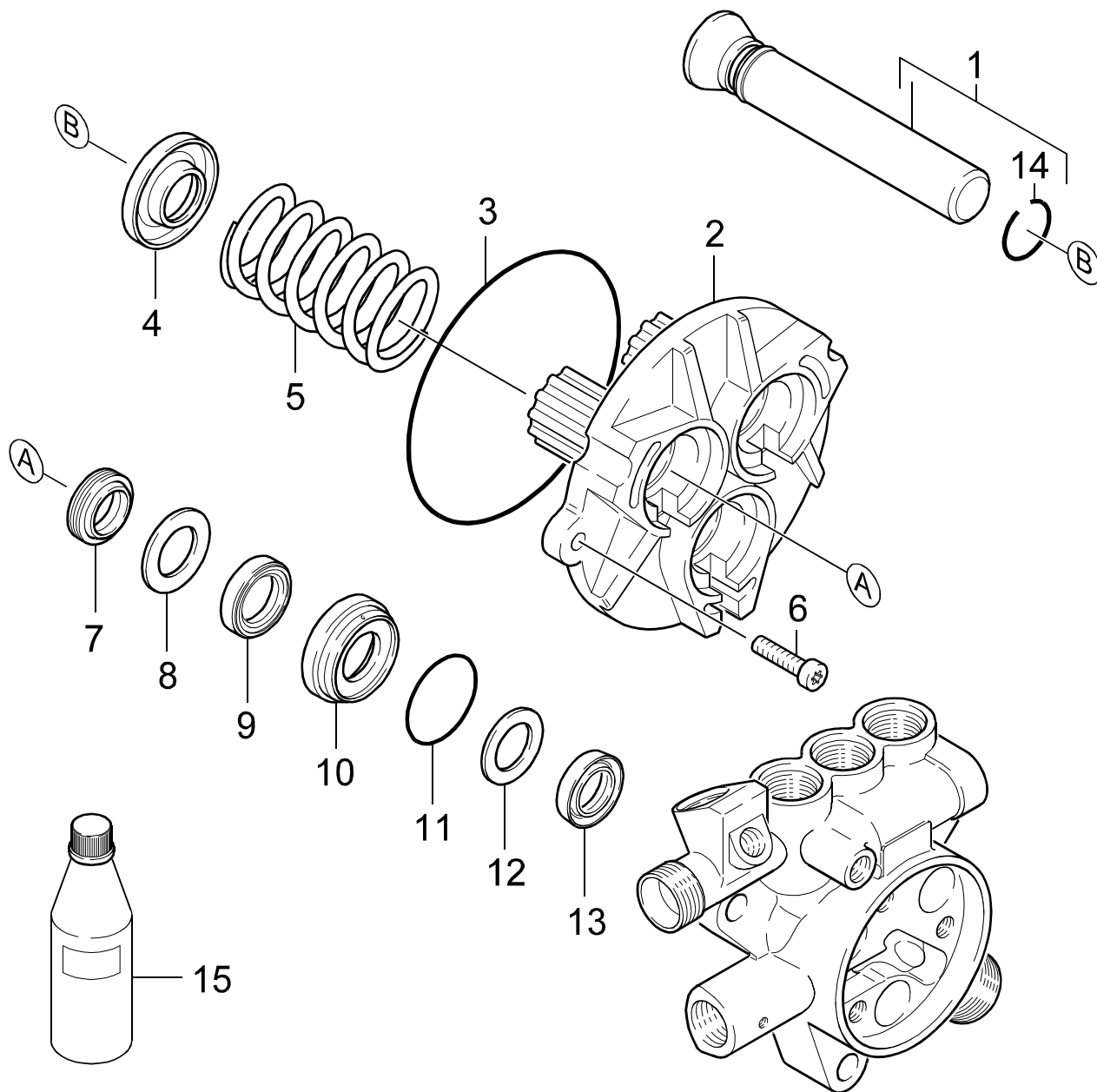
**HDS 600 CI**

**GRUPPE: 2.0 PUMPENSATZ**  
**GROUP: 2.0 PUMP SET**  
**GRUPPE: 2.0 JEU (ENSEMBLE) DE POMPE**

GRUPPE: 2.1 KOLBEN  
GROUP: 2.1 PISTON  
GRUPPE: 2.1 PISTON

B2

HDS 600 CI



Symbolbeschreibung siehe M16 / symbol description see M16 / désignation de système voir M16 /

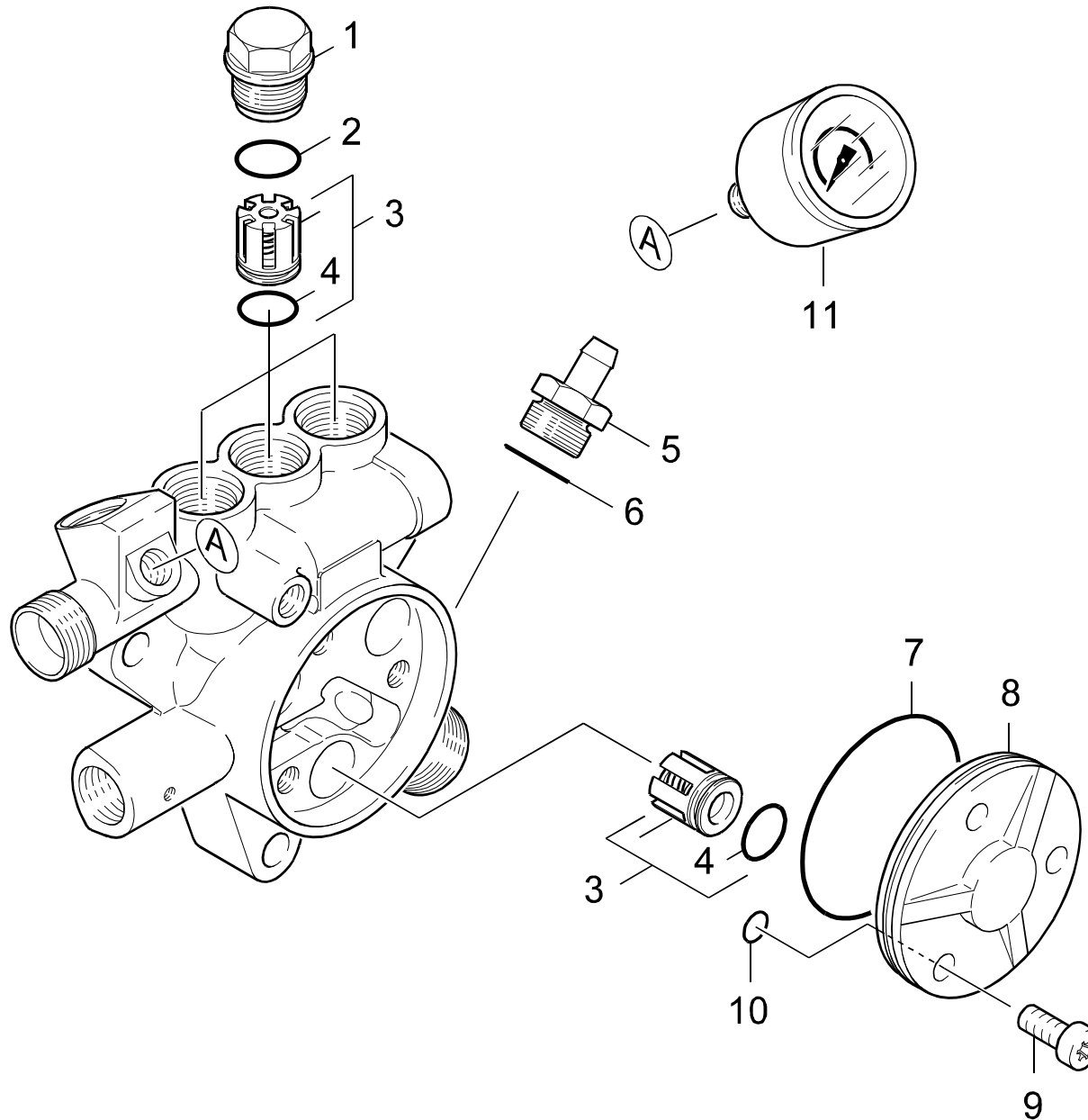
GRUPPE: 2.1 KOLBEN  
GROUP: 2.1 PISTON  
GROUPE: 2.1 PISTON

C2

HDS 600 CI

POS. ITM. POS.	BENNENUNG DESCRIPTION DESIGNATION	TEILE-NR. PART-NO. NO.PIECE	STCK QTY. NBR.
1	KOLBEN KPL. / PISTON / PISTON	4.553-124.0	3
2	GEHAEUSE / HOUSING / BOITIER	5.060-326.0	1
3	O-RING 101,27X 2,62 / GASKET / BAQUE D'ETANCHEITE	6.362-613.0	1
4	FORMTEIL / MOULDED PART / PREFORME	5.030-602.0	3
5	SCHRAUBENFEDER / HELICAL SPRING / RESSORT CYLINDRIQUE	5.332-139.0	3
6	ZYL.SCHR. M 6X 25 / CHEESE HEAD SCREW / VIS A TETE CYLINDR.	7.306-023.0	2
7	NUTRING 18X26X6/8 / GROOVED RING / JOINT A LEVRES	6.365-334.0	3
8	SCHEIBE / WASHER / RONDELLE	5.115-432.0	3
9	KOMPAKTDI. .18X28X6 / SEAL / JOINT	6.365-332.0	3
10	BUCHSE / BUSH / DOUILLE	5.112-340.0	3
11	O-RING 33,05X 1,78 / GASKET / BAQUE D'ETANCHEITE	6.362-406.0	3
12	SCHEIBE / WASHER / RONDELLE	5.115-431.0	3
13	NUTRING 18X26X5,4 / GROOVED RING / JOINT A LEVRES	6.365-333.0	3
14	SPRENGRING A 18 / RETAINER / CIRCLIP	7.343-473.0	1
15	GETRIEBEOEL 1L / GEAR LUBRICANT OIL / HUILE A ENGRENAGES	6.288-016.0	1
100	PUMPENSET / PUMP SET / GROUPE DE POMPES	2.883-172.0	1

"=> xxxxxx" = bis Werknummer / up to serial No. / jusqu' au No. de fabr. / "xxxxxx =>" = ab Werknummer / from serial No. / a partir du No. de fabr. /



Symbolbeschreibung siehe M16 / symbol description see M16 / désignation de système voir M16 /

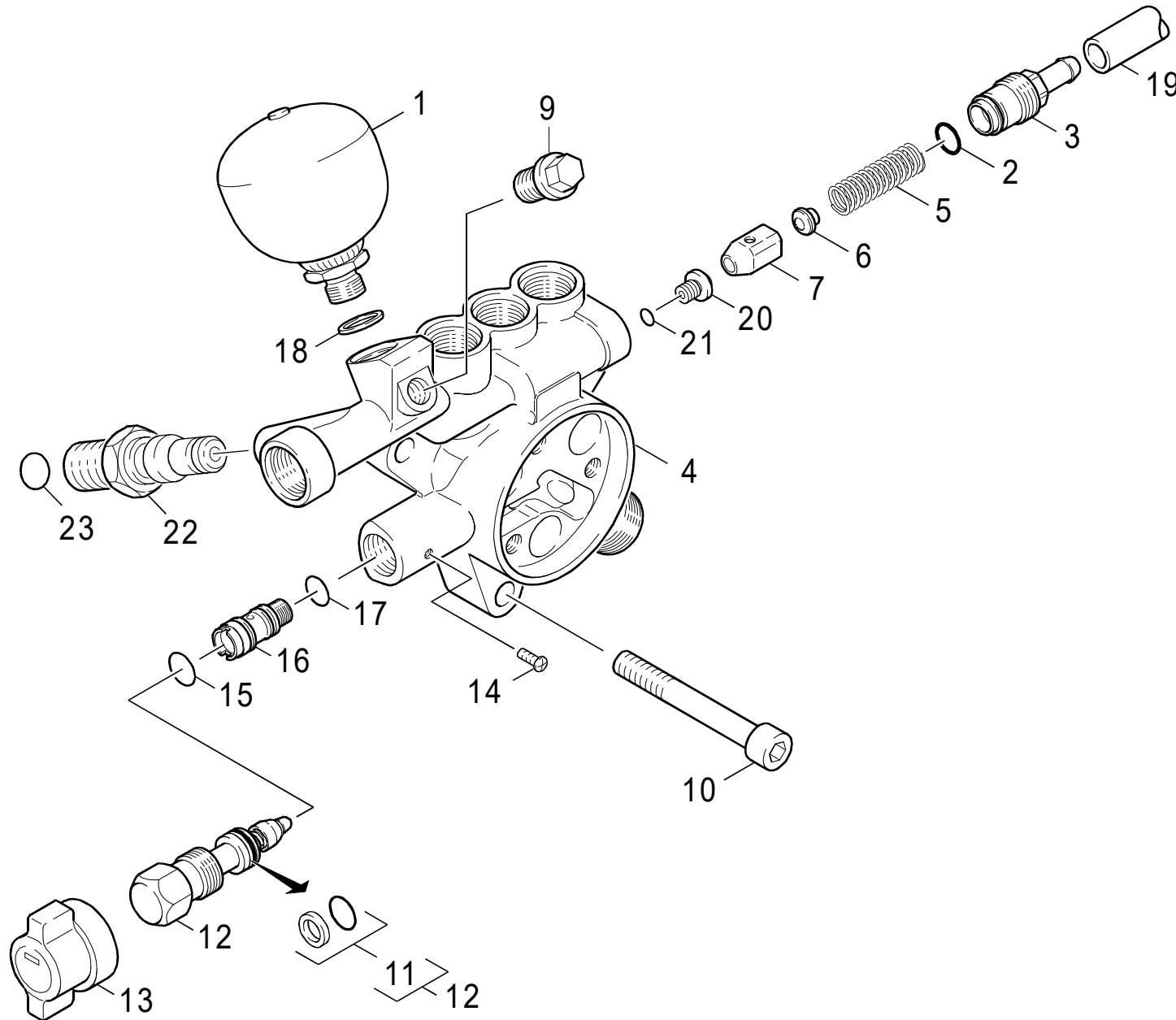
GRUPPE: 2.2 VENTILE  
GROUP: 2.2 VALVES  
GROUPE: 2.2 SOUPAPES

E2

HDS 600 CI

POS. ITM. POS.	BENNENNUNG DESCRIPTION DESIGNATION	TEILE-NR. PART-NO. NO.PIECE	STCK QTY. NBR.
1	VENTILSCHRAUBE / VALVE SCREW / VIS POINTEAU (SOUP.)	5.583-115.0	3
2	O-RING 17,3 X 2,4 / GASKET / BAQUE D'ETANCHEITE	6.362-160.0	3
3	VENTIL KPL. / VALVE / SOUPAPE	4.580-329.0	6
4	O-RING 13,0 X 2,0 / GASKET / BAQUE D'ETANCHEITE	6.362-381.0	6
5	VENTIL / VALVE / SOUPAPE	4.580-114.0	1
6	O-RING 15,0 X 2,0 / GASKET / BAQUE D'ETANCHEITE	6.362-427.0	1
7	O-RING 60,0 X 2,0 / GASKET / BAQUE D'ETANCHEITE	6.362-204.0	1
8	DECKEL / COVER / COUVERCLE	5.063-354.0	1
9	ZYL.SCHR. M 8X 20 / CHEESE HEAD SCREW / VIS A TETE CYLINDR.	6.304-038.0	3
10	O-RING 9,0 X 1,5 / GASKET / BAQUE D'ETANCHEITE	6.362-384.0	3
11	MANOMETER 0-300 BAR / PRESSURE GAUGE / MANOMETRE	6.421-214.0	1
100	PUMPENSET / PUMP SET / GROUPE DE POMPES	2.883-172.0	1

"=> xxxxxx" = bis Werknummer / up to serial No. / jusqu' au No. de fabr. / "xxxxxx =>" = ab Werknummer / from serial No. / a partir du No. de fabr. /



Symbolbeschreibung siehe M16 / symbol description see M16 / désignation de système voir M16 /



GRUPPE: 2.3 ZYLINDERKOPF  
 GROUP: 2.3 CYLINDER HEAD  
 GROUPE: 2.3 CULASSE

G2

HDS 600 CI

POS. ITM. POS.	BENNENUNG DESCRIPTION DESIGNATION	TEILE-NR. PART-NO. NO.PIECE	STCK QTY. NBR.
1	DRUCKSPEICHER / PULSATION DAMPER / ANTI-BELIER	6.505-025.0	1
2	O-RING 12,0 X 2,0 / GASKET / BAQUE D'ETANCHEITE	6.362-169.0	1
3	VENTILSCHRAUBE / VALVE SCREW / VIS POINTEAU (SOUP.)	5.583-130.0	1
4	ZYLINDERKOPF KPL. / CYLINDER HEAD / CULASSE	4.550-366.0	1
5	SCHRAUBENFEDER / HELICAL SPRING / RESSORT CYLINDRIQUE	5.332-414.0	1
6	VENTILBOLZEN / VALVE PIN / BOULON DE SOUPAPE	5.584-060.0	1
7	VENTILTeller KPL / VALVE DISC / TETE DE SOUPAPE	4.582-007.0	1
9	VS-SCHRAUBE M10X1,0 / CLOSING SCREW / VIS DE FERMETURE	7.382-085.0	1
10	ZYL.SCHR. M10X 70 / CHEESE HEAD SCREW / VIS A TETE CYLINDR.	7.306-125.0	3
11	O-RING 12,42 KOMPL / GASKET / BAQUE D'ETANCHEITE	6.362-575.0	1
12	SPINDEL / SPINDLE / PIVOT	4.291-009.0	1
13	GRIFF / HANDLE / POIGNEE	5.321-263.0	1
14	LINSENSCHR. M 4X 6 / OVAL HEAD SCREW / VIS A TETE BOMBEE	7.306-323.0	1
15	O-RING 11,0 X 1,3 / GASKET / BAQUE D'ETANCHEITE	6.362-402.0	1
16	HUELSE / SLEEVE / DOUILLE	5.110-384.0	1
17	O-RING 10 X 1,5 / GASKET / BAQUE D'ETANCHEITE	6.362-482.0	1
18	DICHTRING 14 X18 / JOINT RING / BAGUE D'ETANCHEITE	7.362-005.0	1
19	SCHLAUCH DN15 / HOSE / TUYAU FLEXIBLE	6.388-167.0	1
<b>ALS METERWARE BESTELLEN/TO ORDER AS CUT GOODS/COMMANDE COMME MARCHANDISE AU METRE</b>			
20	VENTILSITZ / VALVE SEAT / SIEGE DE SOUPAPE	5.581-231.0	1
21	O-RING 6,0 X 1,5 / GASKET / BAQUE D'ETANCHEITE	6.362-703.0	1
22	DOPPELNIPPEL / DOUBLE NIPPLE / NIPPLE DOUBLE	5.409-272.0	1
23	O-RING 10,0 X 2,0 / GASKET / BAQUE D'ETANCHEITE	6.362-151.0	1
100	PUMPENSET / PUMP SET / GROUPE DE POMPES	2.883-172.0	1

"=> xxxxxx" = bis Werknummer / up to serial No. / jusqu' au No. de fabr. / "xxxxxx =>" = ab Werknummer / from serial No. / a partir du No. de fabr. /

GRUPPE: 3.0 MOTOR  
GROUP: 3.0 MOTOR  
GROUPE: 3.0 MOTEUR

**A3**

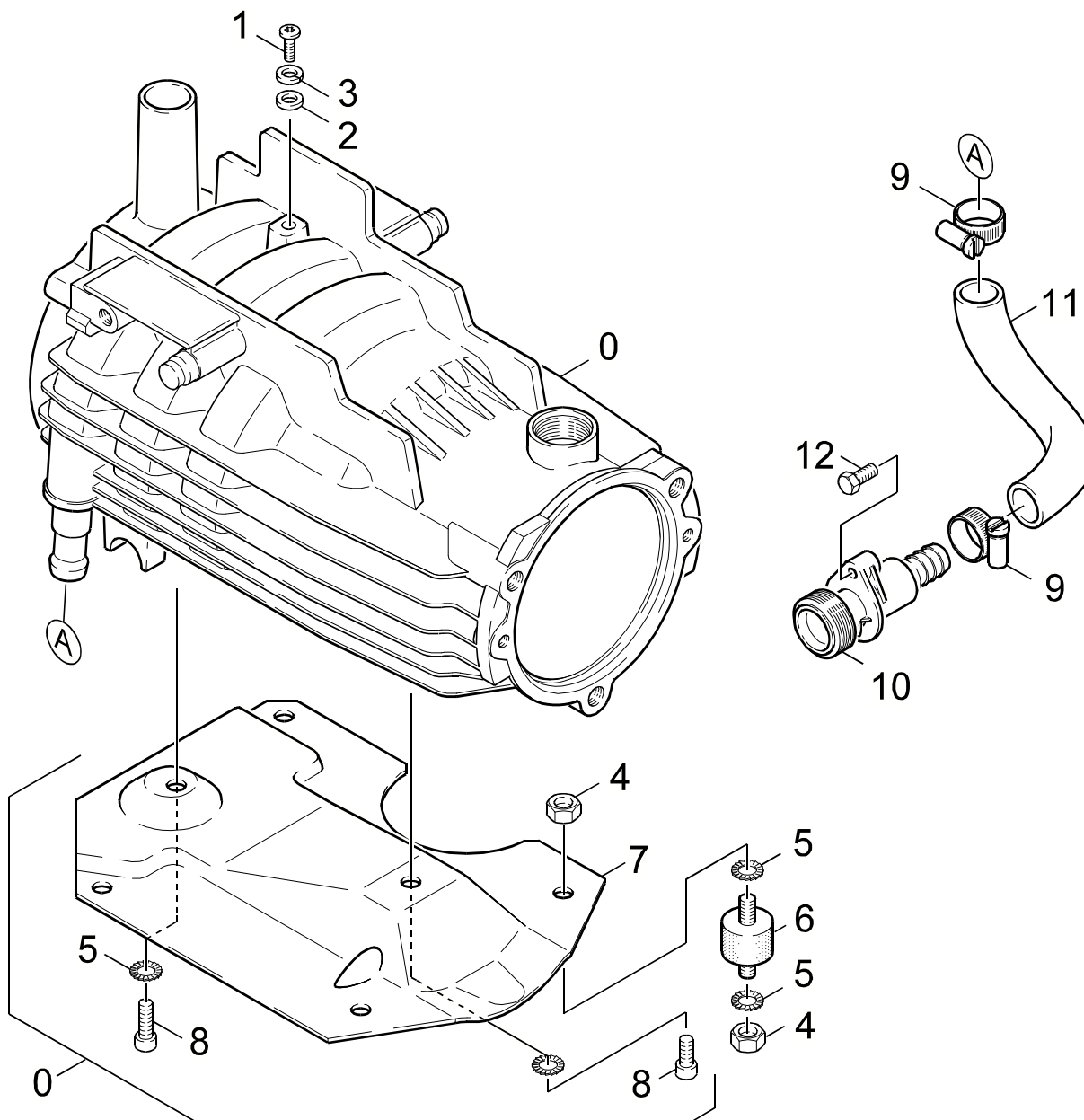
**HDS 600 CI**

**GRUPPE: 3.0 MOTOR**  
**GROUP: 3.0 MOTOR**  
**GROUPE: 3.0 MOTEUR**

GRUPPE: 3.1 MOTOR  
GROUP: 3.1 MOTOR  
GRUPPE: 3.1 MOTEUR

B3

HDS 600 CI



Symbolbeschreibung siehe M16 / symbol description see M16 / désignation de système voir M16 /

GRUPPE: 3.1 MOTOR  
GROUP: 3.1 MOTOR  
GROUPE: 3.1 MOTEUR

C3

HDS 600 CI

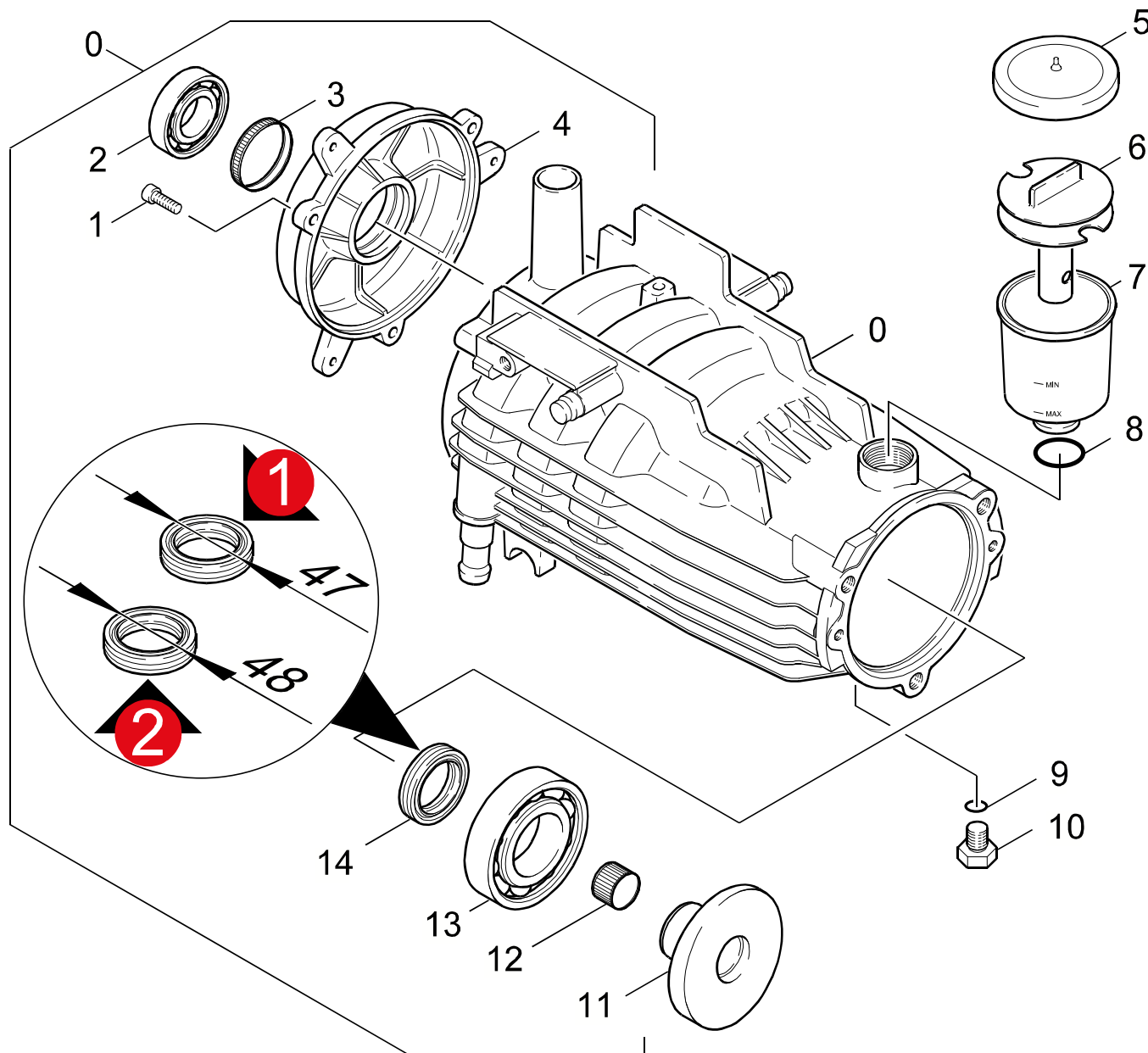
POS. ITM. POS.	BENNENUNG DESCRIPTION DESIGNATION	TEILE-NR. PART-NO. NO.PIECE	STCK QTY. NBR.
0	MOTOR KPL. / MOTOR / MOTEUR / <b>1.962-402.0 / -403.0 / -404.0</b>	4.623-243.0	1
0	MOTOR KPL. / MOTOR / MOTEUR / <b>1.962-405.0</b>	4.623-260.0	1
1	SCHRAUBE M 5X 12 / SCREW / VIS	7.303-038.0	1
2	SCHEIBE 5 / WASHER / RONDELLE	7.312-002.0	1
3	FEDERRING B 5 / SPRING WASHER / RONDELLE GROWER	7.313-002.0	1
4	6KT-MUTTER M 8 / HEXAGON NUT / ECROU HEXAGONAL	7.311-004.0	8
5	ZAHNSCHEIBE A 8,4 / LOCK WASHER / ROUE PLATE	7.312-166.0	9
6	GUMMIPUFFER / RUBBER BUFFER / BUTOIR CAOUTCHOUC	6.339-095.0	4
7	GRUNDPLATTE / BASE PLATE / PLAQUE DE BASE	5.051-040.0	1
8	ZYL.SCHR. M 8X 16 / CHEESE HEAD SCREW / VIS A TETE CYLINDR.	6.303-123.0	2
9	SCHLAUCHSCHELLE / HOSE BAND CLIP / COLLIER DE SERRAGE	6.388-547.0	2
10	KNOTENSTUECK / MANIFOLD / FERRURE NODALE	5.427-178.0	1
11	SCHLAUCH DN16 / HOSE / TUYAU FLEXIBLE <b>ALS METERWARE BESTELLEN/TO ORDER AS CUT GOODS/COMMANDE COMME MARCHANDISE AU METRE</b>	6.388-719.0	1
12	SCHRAUBE 6,0X20 / SCREW / VIS	6.303-174.0	1

"=> xxxxxx" = bis Werknummer / up to serial No. / jusqu' au No. de fabr. / "xxxxxx =>" = ab Werknummer / from serial No. / a partir du No. de fabr. /

GRUPPE: 3.2 MOTOR  
GROUP: 3.2 MOTOR  
GRUPPE: 3.2 MOTEUR

D3

HDS 600 CI



Symbolbeschreibung siehe M16 / symbol description see M16 / désignation de système voir M16 /

GRUPPE: 3.2 MOTOR  
GROUP: 3.2 MOTOR  
GROUPE: 3.2 MOTEUR

E3

HDS 600 CI

POS. ITM. POS.	BENNENUNG DESCRIPTION DESIGNATION	TEILE-NR. PART-NO. NO.PIECE	STCK QTY. NBR.
0	MOTOR KPL. / MOTOR / MOTEUR / 1.962-402.0 / -403.0 / -404.0	4.623-243.0	1
0	MOTOR KPL. / MOTOR / MOTEUR / 1.962-405.0	4.623-260.0	1
1	SCHRAUBE M 6X 20 / SCREW / VIS	7.303-048.0	3
2	KUGELLAGER 6204-2Z / BALL BEARING / ROULEMENT A BILLE	7.401-126.0	1
3	TOLERANZRING 47X8 / TOLERANCE RING / BAGUE	6.343-029.0	1
4	DECKEL / COVER / COUVERCLE	5.063-567.0	1
5	DECKEL / COVER / COUVERCLE	5.063-189.0	1
6	FORMTEIL / MOULDED PART / PREFORME	5.030-389.0	1
7	BEHAELTER / TANK / BAC	5.070-048.0	1
8	O-RING 22,3 X 2,4 / GASKET / BAQUE D'ETANCHEITE	6.362-168.0	1
9	O-RING 9,5 X 2,0 / GASKET / BAQUE D'ETANCHEITE	6.362-528.0	1
10	VERSCHLUSSCHRAUBE / CLOSING SCREW / VIS DE FERMETURE	5.411-102.0	1
11	TAUMELSCHIEBE / SWASH PLATE / DISQUE EN NUTATION / 1.962-402.0 / -403.0 / -404.0	5.120-246.0	1
11	TAUMELSCHIEBE / SWASH PLATE / DISQUE EN NUTATION / 1.962-405.0	5.120-247.0	1
12	TOLERANZRING / TOLERANCE RING / BAGUE	6.343-024.0	1
13	KUGELLAGER 7307B / BALL BEARING / ROULEMENT A BILLE	6.401-234.0	1
14	RWDR A28X48X8 / ROTARY SHAFT SEAL / JOINT (ARBRE) VERSION 2	7.367-007.0	1
14	RWDR A28 X 47 X 7 / ROTARY SHAFT SEAL / JOINT (ARBRE) VERSION 1	7.367-017.0	1

"=> xxxxxx" = bis Werknummer / up to serial No. / jusqu' au No. de fabr. / "xxxxxx =>" = ab Werknummer / from serial No. / a partir du No. de fabr. /

GRUPPE: 4.0 GEBLAESE  
GROUP: 4.0 BLOWER  
GRUPPE: 4.0 VENTILATEUR

**A4**

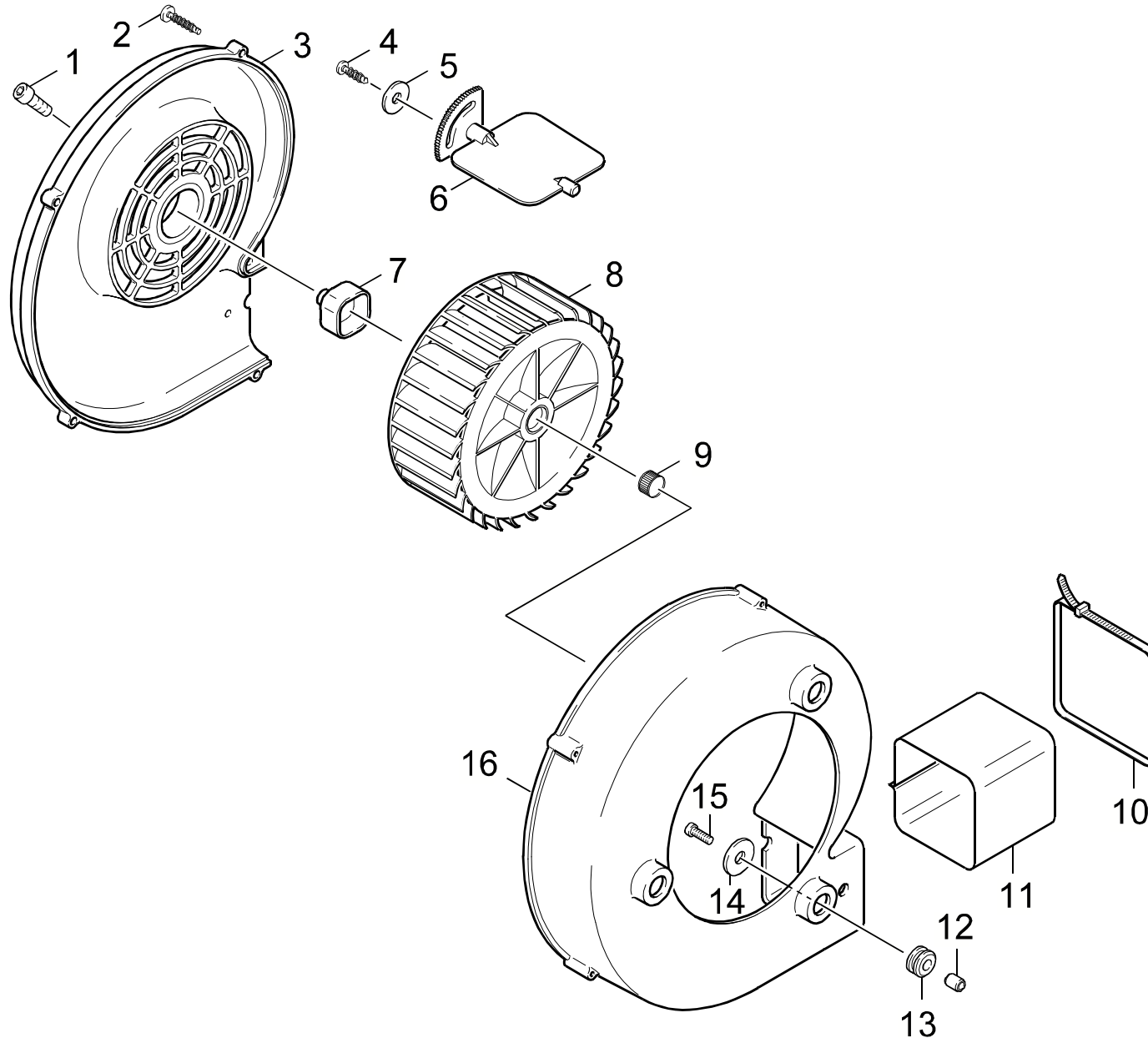
**HDS 600 CI**

**GRUPPE: 4.0 GEBLAESE**  
**GROUP: 4.0 BLOWER**  
**GRUPPE: 4.0 VENTILATEUR**

GRUPPE: 4.0 GEBLAESE  
GROUP: 4.0 BLOWER  
GRUPPE: 4.0 VENTILATEUR

**B4**

**HDS 600 CI**



Symbolbeschreibung siehe M16 / symbol description see M16 / désignation de système voir M16 /



GRUPPE: 4.0 GEBLAESE  
GROUP: 4.0 BLOWER  
GROUPE: 4.0 VENTILATEUR

C4

HDS 600 CI

POS. ITM. POS.	BENNENUNG DESCRIPTION DESIGNATION	TEILE-NR. PART-NO. NO.PIECE	STCK QTY. NBR.
1	SCHRAUBE M 6X 16 / SCREW / VIS	7.306-090.0	1
2	LINSENSCHR. 4,0X25 / OVAL HEAD SCREW / VIS A TETE BOMBEE	6.303-089.0	5
3	DECKEL / COVER / COUVERCLE	5.063-274.0	1
4	BL.SCHR. ST4,8X16 / SHEET METAL SCREW / VIS A TOLE	7.303-077.0	1
5	SCHEIBE 5 / WASHER / RONDELLE	7.312-278.0	1
6	LUFTKLAPPE / AIR FLAP / VOLET D'ADMIS.D'AIR	5.606-002.0	1
7	KUPPLUNGSTEIL / COUPLING ELEMENT / PIECE D'ACCOUPL.	5.471-060.0	1
8	LAUFRAD / FAN WHEEL / ROUE DE VENTILATEUR	5.600-021.0	1
9	TOLERANZRING D14X8 / TOLERANCE RING / BAGUE	6.343-166.0	1
10	SPANNBAND / BANNER / BANDEROLE	6.388-608.0	2
11	TUCHMANSCHETTE / CLOTH COLLAR / MANCHETTE	5.178-020.0	1
12	HUELSE / SLEEVE / DOUILLE	5.110-306.0	3
13	GUMMIRING / RUBBER RING / RONDELLE CAOUTCHOUC	5.379-011.0	3
14	SCHEIBE 5 / WASHER / RONDELLE	7.312-264.0	3
15	SCHNEIDSCHR. M5X 20 / SELF-TAPPING SCREW / VIS AUTOTARAUEUSE	6.303-076.0	3
16	GEHAEUSE / HOUSING / BOITIER	5.605-143.0	1

"=> xxxxxx" = bis Werknummer / up to serial No. / jusqu' au No. de fabr. / "xxxxxx =>" = ab Werknummer / from serial No. / a partir du No. de fabr. /

GRUPPE: 5.0 BRENNSTOFFPUMPE  
GROUP: 5.0 FUEL PUMP  
GRUPPE: 5.0 POMPE DE COMBUSTIBLE

**A5**

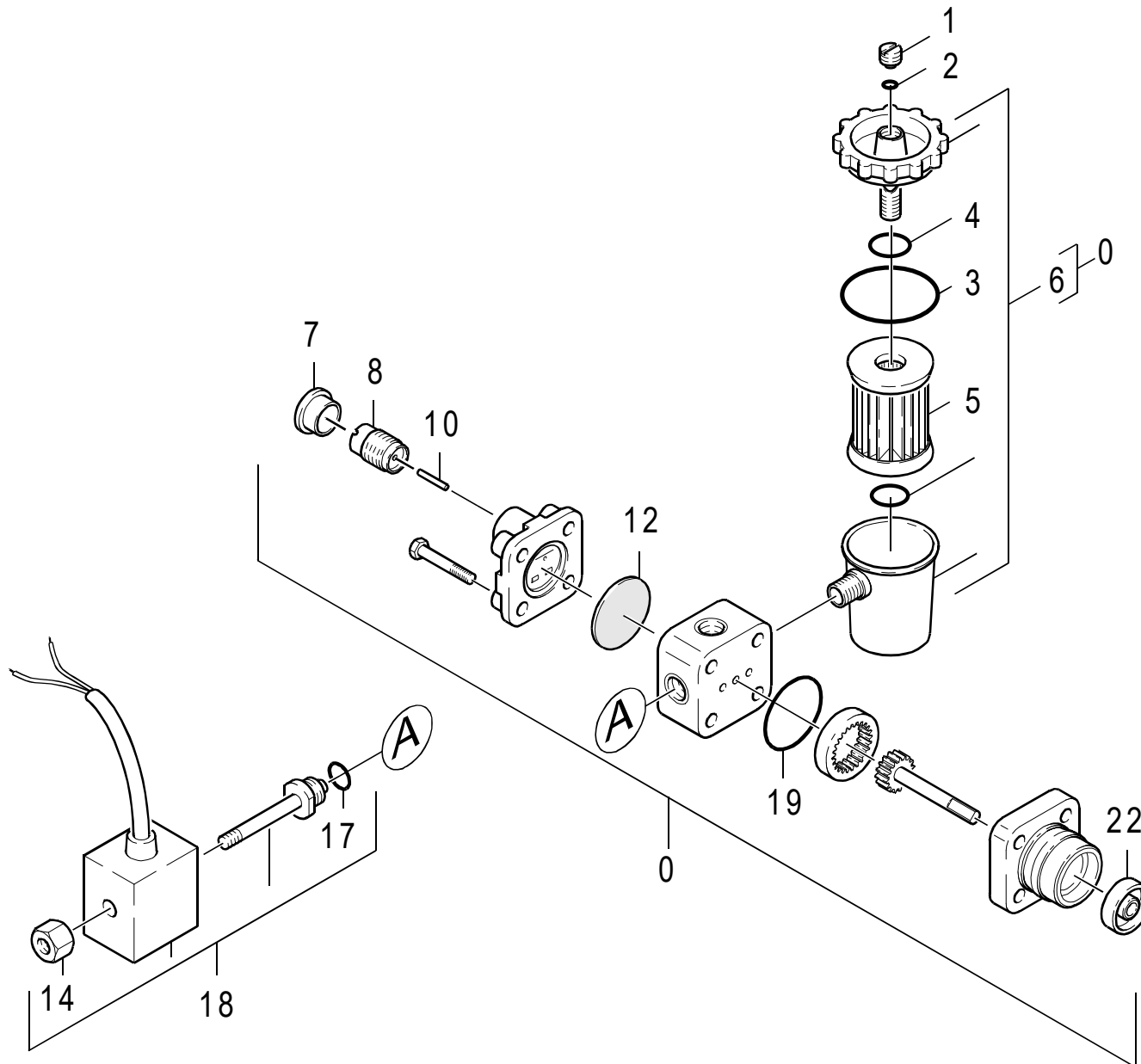
**HDS 600 CI**

**GRUPPE: 5.0 BRENNSTOFFPUMPE**  
**GROUP: 5.0 FUEL PUMP**  
**GRUPPE: 5.0 POMPE DE COMBUSTIBLE**

GRUPPE: 5.1 BRENNSTOFFPUMPE  
GROUP: 5.1 FUEL PUMP  
GRUPPE: 5.1 POMPE DE COMBUSTIBLE

B5

HDS 600 CI



Symbolbeschreibung siehe M16 / symbol description see M16 / désignation de système voir M16 /

GRUPPE: 5.1 BRENNSTOFFPUMPE  
GROUP: 5.1 FUEL PUMP  
GROUPE: 5.1 POMPE DE COMBUSTIBLE

C5

HDS 600 CI

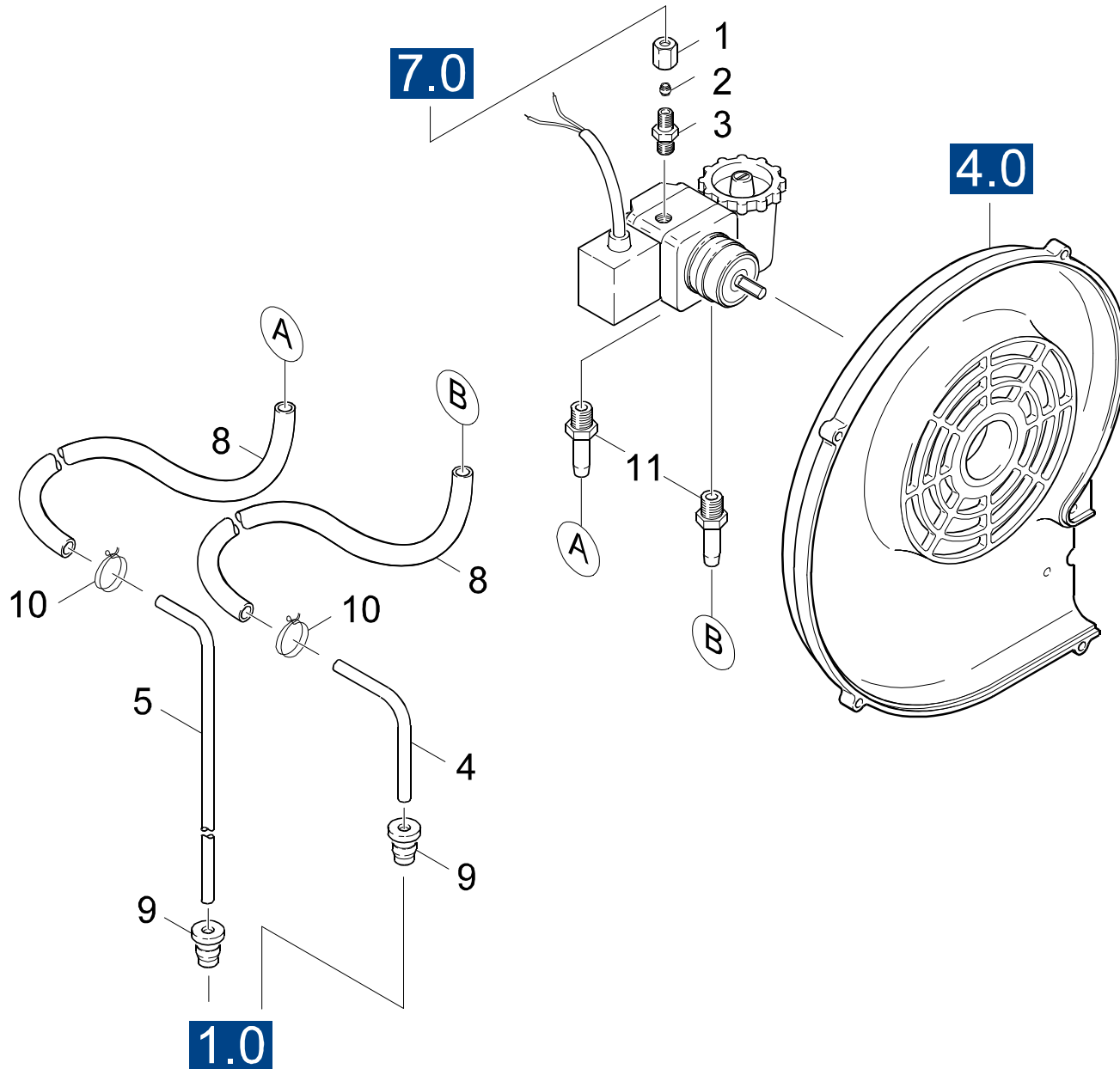
POS. ITM. POS.	BENNENUN G DESCRIPTION DESIGNATION	TEILE-NR. PART-NO. NO.PIECE	STCK QTY. NBR.
0	BRENNSTOFFPUMPE / FUEL PUMP / POMPE DE COMBUSTIBLE	6.472-925.0	1
1	ENTLUEFTUNGSSCHR. / VENT SCREW / VIS D'AIR	6.472-107.0	1
2	O-RING 5,0 X 1,8 / GASKET / BAQUE D'ETANCHEITE	6.472-106.0	1
3	O-RING 32,0 X 1,6 / GASKET / BAQUE D'ETANCHEITE	6.472-111.0	1
4	O-RING 10,0 X 2,4 / GASKET / BAQUE D'ETANCHEITE	6.472-112.0	1
5	FILTEREINSATZ / FILTER CARTRIDGE / CARTOUCHE FILTRANTE	6.472-113.0	1
6	FILTERGEHAEUSE KPL. / FILTER CASE / BATI DE FILTRE	6.472-123.0	1
7	SCHUTZKAPPE / PROTECTIVE CAP / CAPOT PROTECTION	6.472-122.0	1
8	FEDERGEHAEUSE / SPRING HOUSING / BARILLET	6.472-109.0	1
10	STIFT / PIN / CHEVILLE	6.472-108.0	1
12	MEMBRANE / DIAPHRAGM / MEMBRANE	6.472-128.0	1
14	RAENDELMUTTER / KNURLED NUT / ECROU MOLETE	6.472-340.0	1
17	O-RING 12,0 X 1,5 / GASKET / BAQUE D'ETANCHEITE	6.472-125.0	1
18	MAGNETVENTIL / SOLENOID VALVE / ELECTROVANNE	6.472-411.0	1
19	O-RING 28,5 X 1,6 / GASKET / BAQUE D'ETANCHEITE	6.472-120.0	1
22	ACHSENDICHTUNG / SHAFT SEAL / ETOUPAGE D'ESSIEU	6.472-105.0	1

"=> xxxxxx" = bis Werknummer / up to serial No. / jusqu' au No. de fabr. / "xxxxxx =>" = ab Werknummer / from serial No. / a partir du No. de fabr. /

GRUPPE: 5.2 BRENNSTOFFPUMPE  
GROUP: 5.2 FUEL PUMP  
GRUPPE: 5.2 POMPE DE COMBUSTIBLE

D5

HDS 600 CI



Symbolbeschreibung siehe M16 / symbol description see M16 / désignation de système voir M16 /

GRUPPE: 5.2 BRENNSTOFFPUMPE  
GROUP: 5.2 FUEL PUMP  
GROUPE: 5.2 POMPE DE COMBUSTIBLE

E5

HDS 600 CI

POS. ITM. POS.	BENNENUNG DESCRIPTION DESIGNATION	TEILE-NR. PART-NO. NO.PIECE	STCK QTY. NBR.
1	UE-MUTTER A 4-LL / UNION NUT / ECROU RACOURD	6.389-262.0	1
2	SCHNEIDRING D.4 / CUTTING RING / BAGUE COUPANTE	6.389-263.0	1
3	SCHRAUBSTUTZEN / SCREW UNION / RACCORD FILETE	6.389-261.0	1
4	RUECKLAUF F. KRAFT / BARREL RECOIL / REFLUX	5.028-533.0	1
5	SAUGROHR F. KRAFT. / SUCTION TUBE / TUYAU D'ASPIRATION	5.028-534.0	1
8	SCHLAUCH / HOSE / TUYAU FLEXIBLE	6.389-534.0	1
	<b>ALS METERWARE BESTELLEN/TO ORDER AS CUT GOODS/COMMANDE COMME MARCHANDISE AU METRE</b>		
9	PROFILDICHTUNG / SEAL / ETOUPE PROFILE	5.365-145.0	2
10	SCHLAUCHSCHELLE / HOSE BAND CLIP / COLLIER DE SERRAGE	6.389-567.0	2
11	SCHLAUCHNIPPEL / HOSE STEM / RACCORD DE FLEXIBLE	6.472-927.0	2

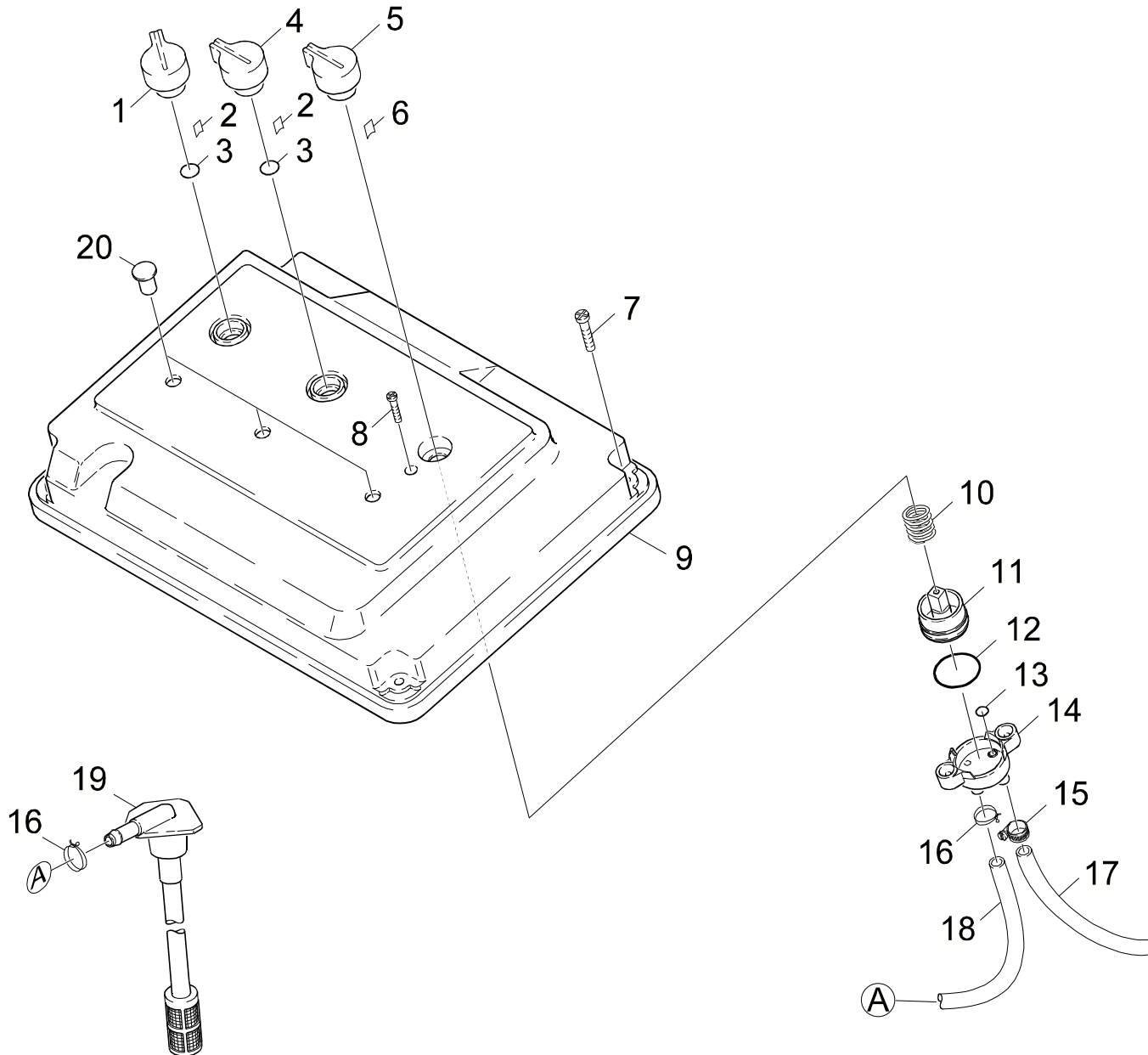
"=> xxxxxx" = bis Werknummer / up to serial No. / jusqu' au No. de fabr. / "xxxxxx =>" = ab Werknummer / from serial No. / a partir du No. de fabr. /

GRUPPE: 6.0 E-GERAETESCHRANK  
GROUP: 6.0 ELECTRIC CONTROL BOX  
GRUPPE: 6.0 COFFRET ELECTRIQUE

**A6**

**HDS 600 CI**

**GRUPPE: 6.0 E-GERAETESCHRANK**  
**GROUP: 6.0 ELECTRIC CONTROL BOX**  
**GRUPPE: 6.0 COFFRET ELECTRIQUE**



Symbolbeschreibung siehe M16 / symbol description see M16 / désignation de système voir M16 /



GRUPPE: 6.1 INSTRUMENTENTAFEL  
 GROUP: 6.1 CONTROL PANEL  
 GROUPE: 6.1 TABLEAU DE BORD

# C6

# HDS 600 CI

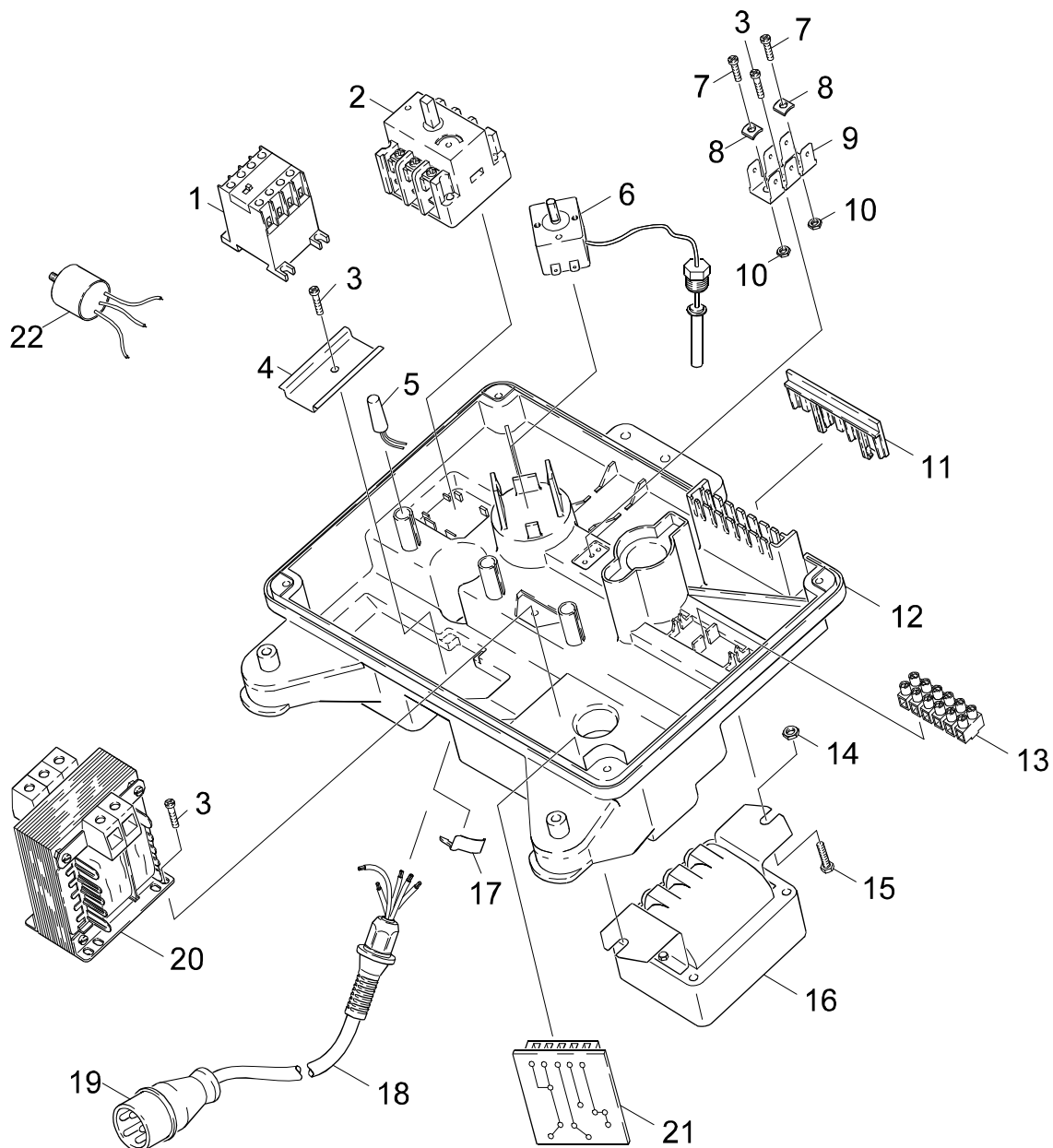
POS. ITM. POS.	BENNENUNG DESCRIPTION DESIGNATION	TEILE-NR. PART-NO. NO.PIECE	STCK QTY. NBR.
1	GRIFF / HANDLE / POIGNEE	5.321-448.0	1
2	KLEMMFEDER / SPRING / RESSORT DE FRICTION	6.313-014.0	2
3	O-RING 13,3 X 2,4 / GASKET / BAQUE D'ETANCHEITE	6.362-078.0	2
4	GRIFF / HANDLE / POIGNEE	5.321-449.0	1
5	GRIFF / HANDLE / POIGNEE	5.321-450.0	1
6	BLATTFEDER / PLATE SPRING / RESSORT A LAMES	5.337-021.0	1
7	SCHRAUBE 5X16 / SCREW / VIS	6.303-155.0	4
8	SCHNEIDSCHR. M4X 16 / SELF-TAPPING SCREW / VIS AUTOTARAUEUSE	7.303-509.0	1
9	INSTRUMENTENTAFEL / CONTROL PANEL / TABLEAU DE BORD	5.841-305.0	1
10	SCHRAUBENFEDER / HELICAL SPRING / RESSORT CYLINDRIQUE	5.332-028.0	1
11	VENTILSITZ / VALVE SEAT / SIEGE DE SOUPAPE	5.581-178.0	1
12	O-RING 25,3 X 2,4 / GASKET / BAQUE D'ETANCHEITE	6.362-712.0	1
13	O-RING 5 X 1,5 / GASKET / BAQUE D'ETANCHEITE	6.362-386.0	1
14	VENTILGEHAEUSE / VALVE HOUSING / CORPS DE SOUPAPE	5.587-054.0	1
15	SCHLAUCHSCHELLE / HOSE BAND CLIP / COLLIER DE SERRAGE	6.388-515.0	1
16	SCHLAUCHSCHELLE / HOSE BAND CLIP / COLLIER DE SERRAGE	6.388-559.0	2
17	SCHLAUCH DN 7 / HOSE / TUYAU FLEXIBLE	6.388-194.0	1
	<b>ALS METERWARE BESTELLEN/TO ORDER AS CUT GOODS/COMMANDE COMME MARCHANDISE AU METRE</b>		
18	SCHLAUCH DN 7 / HOSE / TUYAU FLEXIBLE	6.388-225.0	1
	<b>ALS METERWARE BESTELLEN/TO ORDER AS CUT GOODS/COMMANDE COMME MARCHANDISE AU METRE</b>		
19	FILTER / FILTER / FILTRE	6.414-028.0	1
20	LINSENGEHAEUSE ROT / HOUSING / CARTER	6.651-316.0	2

"=> xxxxxx" = bis Werknummer / up to serial No. / jusqu' au No. de fabr. / "xxxxxx =>" = ab Werknummer / from serial No. / a partir du No. de fabr. /

GRUPPE: 6.2 MONTAGEPLATTE  
GROUP: 6.2 ASSEMBLY PLATE  
GRUPPE: 6.2 PLAQUE DE MONTAGE

D6

HDS 600 CI



Symbolbeschreibung siehe M16 / symbol description see M16 / désignation de système voir M16 /

GRUPPE: 6.2 MONTAGEPLATTE  
 GROUP: 6.2 ASSEMBLY PLATE  
 GROUPE: 6.2 PLAQUE DE MONTAGE

**E6**

**HDS 600 CI**

POS. ITM. POS.	BENNENNUNG DESCRIPTION DESIGNATION	TEILE-NR. PART-NO. NO.PIECE	STCK QTY. NBR.	POS. ITM. POS.	BENNENNUNG DESCRIPTION DESIGNATION	TEILE-NR. PART-NO. NO.PIECE	STCK QTY. NBR.
1	SCHUETZ / CONTACTOR / CONTACTEUR	6.632-356.0	1	21	IMPULSGEBER / PULSE GENERATOR / CONTACTEUR	6.633-372.0	1
2	SCHALTER / SWITCH / INTERRUPTEUR	6.631-769.0	1	22	FUNKENTSTOERFILTER / INTERFERENCE SUPPRESSOR / FILTRE ANTIPARASITE	6.661-091.0	1
	<b>/ 1.962-402.0 / -405.0</b>				<b>/ 1.962-403.0</b>		
2	SCHALTER / SWITCH / INTERRUPTEUR	6.631-784.0	1				
	<b>/ 1.962-403.0 / -404.0</b>						
3	SCHRAUBE 4,0X 12 / SCREW / VIS	6.303-170.0	3				
4	MONTAGETEIL / MOUNTING PART / PIECE MONTAGE	5.802-222.0	1				
5	SIGNALLEUCHE / PILOT LAMP / LAMPE TEMOIN	6.651-275.0	2				
6	TEMPERATURREGLER / THERMOSTAT / THERMOSTAT	6.685-949.0	1				
7	SCHRAUBE M 4X 16 / SCREW / VIS	7.303-033.0	2				
8	KLEMMSCHEIBE 4 / CLAMPIUNG DISC / DISQUE DE SERRAGE	6.641-804.0	2				
9	FLACHSTECKER / PLUG / FICHE PLATE	6.641-270.0	1				
10	6KT-MUTTER M 4 / HEXAGON NUT / ECROU HEXAGONAL	7.311-001.0	2				
11	KLEMMTEIL / CLAMP / PLAQUE DE SERRAGE	5.030-954.0	1				
12	MONTAGEPLATTE / ASSEMBLY PLATE / PLAQUE DE MONTAGE	5.801-115.0	1				
13	KLEMMLEISTE / STRIP TERMINAL / BORNE PLATE	6.643-249.0	1				
14	6KT-MUTTER M 6 / HEXAGON NUT / ECROU HEXAGONAL	7.311-425.0	1				
15	6KT-SCHR. M 6X 25 / HEXAGONAL HEAD SCREW / VIS HEXAGONAL	7.304-386.0	1				
16	ZUENDTRAFO ET-SATZ / TRANSFORMER / TRANSFORMATEUR	2.883-468.0	1				
	<b>/ 1.962-404.0</b>						
16	ZUENDTRAFO ET-SATZ / TRANSFORMER / TRANSFORMATEUR	2.883-791.0	1				
	<b>/ 1.962-403.0</b>						
16	ZUENDTRAFO 230 V / TRANSFORMER / TRANSFORMATEUR	6.622-166.0	1				
	<b>/ 1.962-402.0</b>						
16	ZUENDTRAFO 230V / TRANSFORMER / TRANSFORMATEUR	6.622-167.0	1				
	<b>/ 1.962-405.0</b>						
17	SICHERUNGSClip / SECURING CLIP / CLIP	6.343-170.0	1				
18	KABEL MIT TUELLE / CABLE / CABLE	6.647-237.0	1				
	<b>/ 1.962-403.0</b>						
18	KABEL MIT TUELLE / CABLE / CABLE	6.647-250.0	1				
	<b>/ 1.962-402.0 / -404.0 / -405.0</b>						
19	CEE-STECKER 16A / CEE-PLUG / CEE-FICHE	6.646-030.0	1				
	<b>/ 1.962-404.0</b>						
20	STEUERTRAFO 40VA / TRANSFORMER / TRANSFORMATEUR	6.622-021.0	1				

"=> xxxxxx" = bis Werknummer / up to serial No. / jusqu' au No. de fabr. / "xxxxxx =>" = ab Werknummer / from serial No. / a partir du No. de fabr. /

GRUPPE: 7.0 DURCHLAUFERHITZER  
GROUP: 7.0 FLOW HEATER  
GRUPPE: 7.0 CHAUFFE-EAU RAPIDE

**A7**

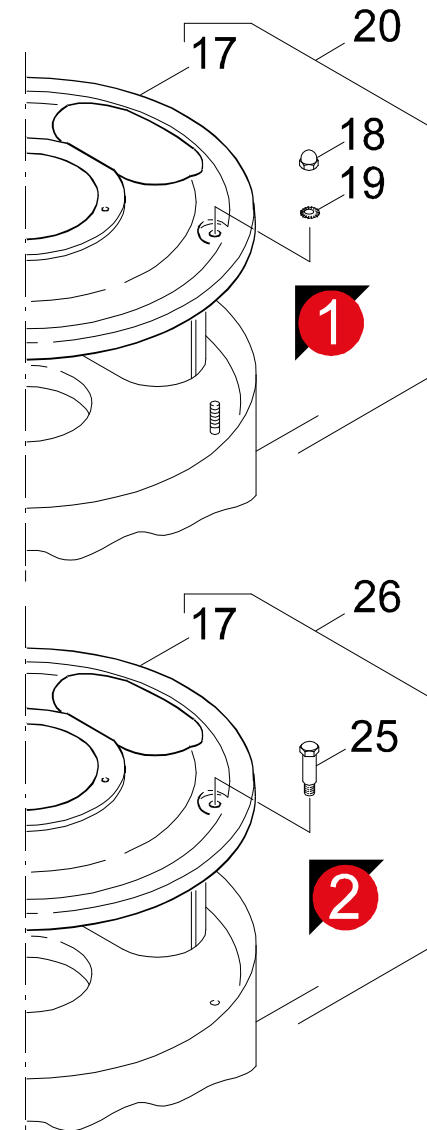
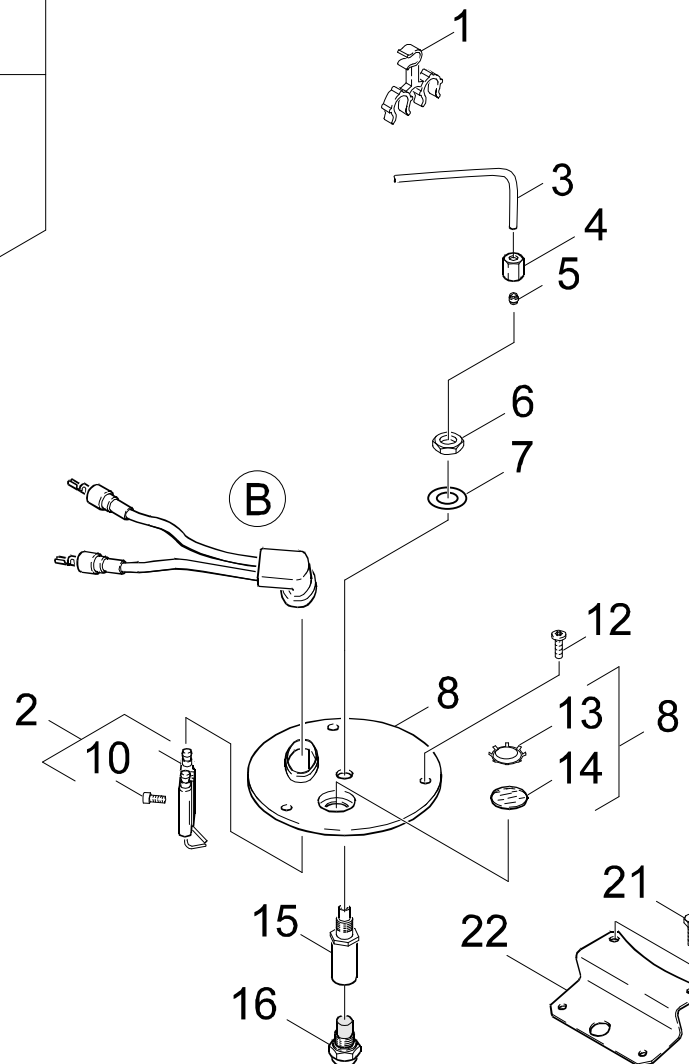
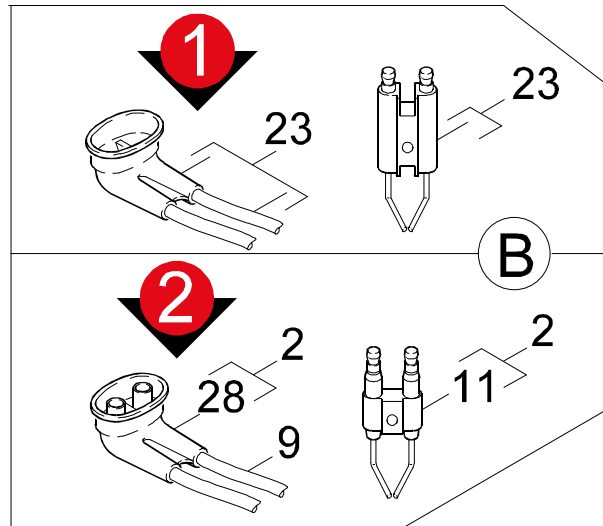
**HDS 600 CI**

**GRUPPE: 7.0 DURCHLAUFERHITZER**  
**GROUP: 7.0 FLOW HEATER**  
**GRUPPE: 7.0 CHAUFFE-EAU RAPIDE**

GRUPPE: 7.1 BRENNERDECKEL  
GROUP: 7.1 BURNER COVER  
GRUPPE: 7.1 COUVERCLE BRULEUR

B7

HDS 600 CI



Symbolbeschreibung siehe M16 / symbol description see M16 / désignation de système voir M16 /

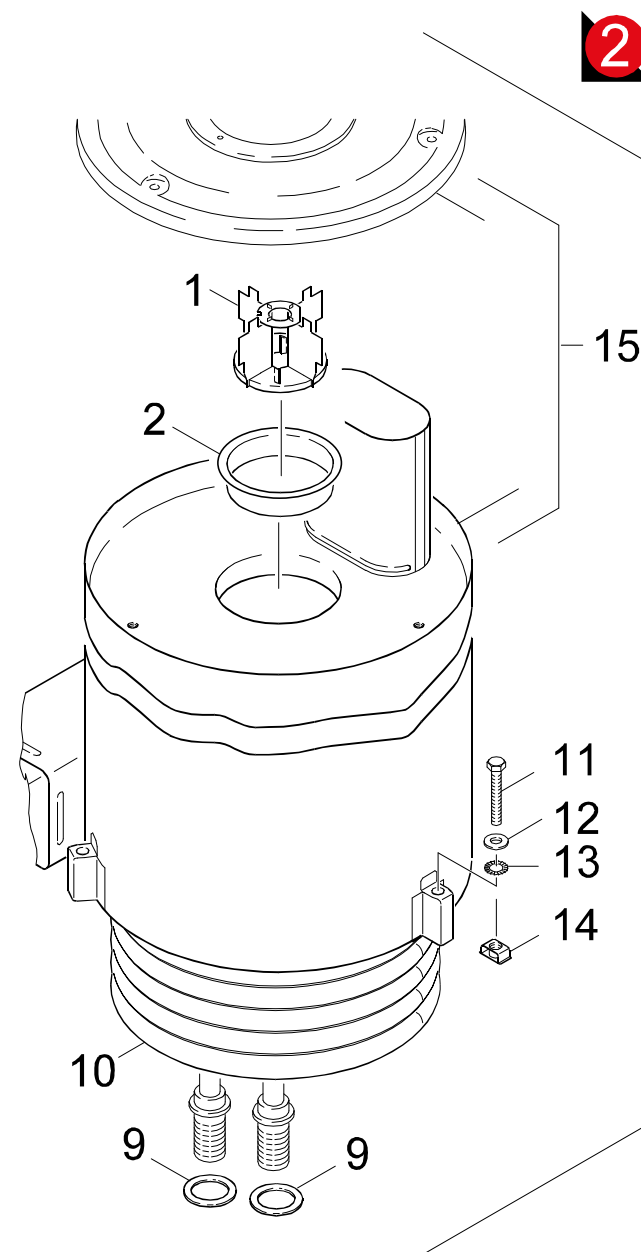
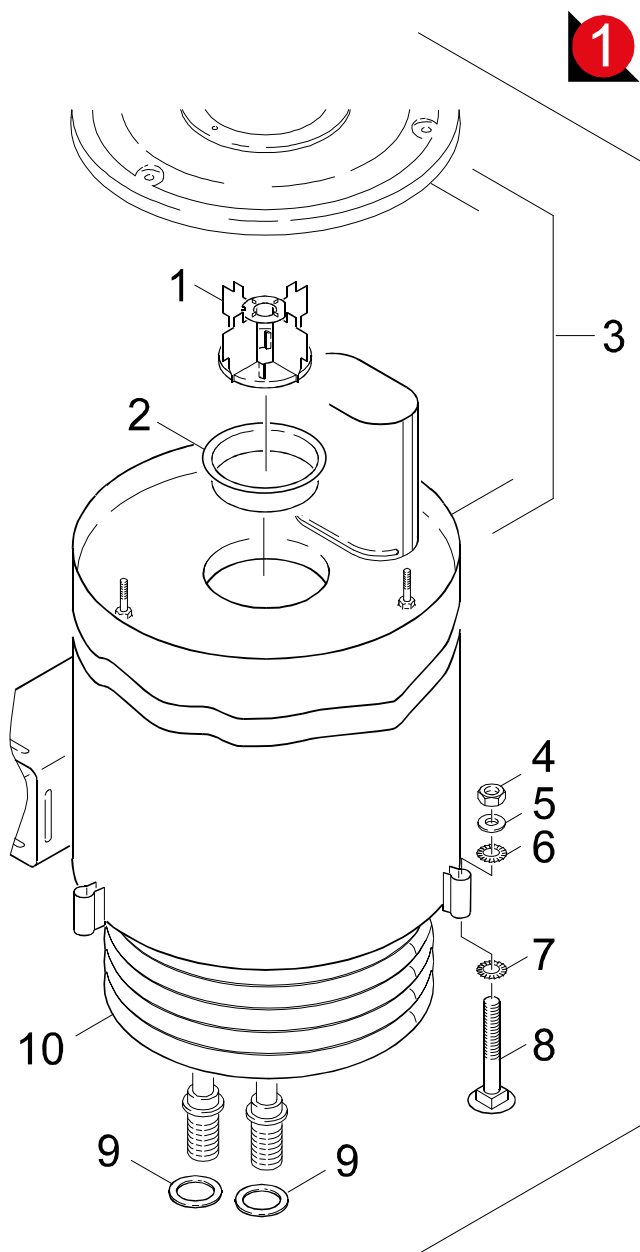
GRUPPE: 7.1 BRENNERDECKEL  
 GROUP: 7.1 BURNER COVER  
 GROUPE: 7.1 COUVERCLE BRULEUR

C7

HDS 600 CI

POS. ITM. POS.	BENNENUNG DESCRIPTION DESIGNATION	TEILE-NR. PART-NO. NO.PIECE	STCK QTY. NBR.
1	HALTER / BRACKET / FIXATION	6.647-527.0	1
2	UBS ZUENDELEKTRODE / KIT / KIT DE MODIFIC.	2.638-974.0	1
3	LEITUNGSROHR / PIPE / TUBE CONDUCTEUR	5.423-140.0	1
4	UE-MUTTER A 4-LL / UNION NUT / ECROU RACOURD	6.389-262.0	1
5	SCHNEIDRING D.4 / CUTTING RING / BAGUE COUPANTE	6.389-263.0	1
6	6KT-MUTTER M10X1 / HEXAGON NUT / ECROU HEXAGONAL	7.311-101.0	1
7	FEDERSCHEIBE B 10,0 / SPRING WASHER / RONDELLE ELAST.	7.312-302.0	1
8	BRENNERDECKEL / BURNER COVER / COUVERCLE BRULEUR	4.662-021.0	1
9	ZUENDKABEL KPL. / IGNITION CABLE / FIL D'AMORCE	4.821-071.0	1
10	LINSENSCHR. M 5X 14 / OVAL HEAD SCREW / VIS A TETE BOMBEE	7.306-328.0	1
11	ET-SET NEUTRAL / SPARE PARTS SET / JEU DE PIECES DECHANGE	2.884-085.0	1
12	SCHRAUBE M 5X 12 / SCREW / VIS	7.303-038.0	3
13	ZACKENRING / RING / ANNEAU	6.343-165.0	1
14	GLASSCHEIBE / GLASS PANE / VITRE	6.278-018.0	1
15	DUESENHALTER / NOZZLE HOLDER / PORTE - BUSE	5.667-055.0	1
16	DUESE 1,1GPH 45 ES / NOZZLE / BUSE	6.415-677.0	1
17	DECKEL D.K. / COVER / COUVERCLE	4.654-196.0	1
18	HUTMUTTER M 6 / CAP NUT / ECROU BORGNE	7.311-380.0	3
	<b>VERSION 1/VERSION 1/VERSION 1</b>		
19	ZAHNSCHEIBE A 6,4 / LOCK WASHER / ROUE PLATE	7.312-167.0	3
	<b>VERSION 1/VERSION 1/VERSION 1</b>		
20	AUSSENMANTEL / OUTER JACKET / ENVELOPPE	4.652-085.0	1
	<b>VERSION 1/VERSION 1/VERSION 1</b>		
21	SCHRAUBE M 6X 16 / SCREW / VIS	7.306-090.0	2
22	FORMTEIL / MOULDED PART / PREFORME	5.030-985.0	1
23	UBS ZUENDKABEL / KIT / KIT DE MODIFIC.	2.638-976.0	1
25	SCHNEIDSCHRAUBE / SELF-TAPPING SCREW / VIS AUTOTARAUEUSE	6.303-258.0	3
	<b>VERSION 2/VERSION 2/VERSION 2</b>		
26	AUSSENMANTEL / OUTER JACKET / ENVELOPPE	4.652-111.0	1
	<b>VERSION 2/VERSION 2/VERSION 2</b>		
28	SCHUTZKAPPE / PROTECTIVE CAP / CAPOT PROTECTION	5.394-470.0	1

"=> xxxxxx" = bis Werknummer / up to serial No. / jusqu' au No. de fabr. / "xxxxxx =>" = ab Werknummer / from serial No. / a partir du No. de fabr. /



Symbolbeschreibung siehe M16 / symbol description see M16 / désignation de système voir M16 /

GRUPPE: 7.2 HEIZSCHLANGE  
 GROUP: 7.2 HEATING COIL  
 GROUPE: 7.2 SERPENTIN

E7

HDS 600 CI

POS. ITM. POS.	BENNENUNG DESCRIPTION DESIGNATION	TEILE-NR. PART-NO. NO.PIECE	STCK QTY. NBR.
1	BRENNEREINSATZ / BURNER CAGE / BRULEUR CAGE	4.663-088.0	1
2	BRENNERTEIL / BURNER PART / PIECE DE BRULEUR	5.664-211.0	1
3	AUSSENMANTEL / OUTER JACKET / ENVELOPPE	4.652-085.0	1
	<b>VERSION 1/VERSION 1/VERSION 1</b>		
4	6KT-MUTTER M 8 / HEXAGON NUT / ECROU HEXAGONAL	7.311-510.0	3
	<b>VERSION 1/VERSION 1/VERSION 1</b>		
5	SCHEIBE 8 / WASHER / RONDELLE	7.312-277.0	4
	<b>VERSION 1/VERSION 1/VERSION 1</b>		
6	ZAHNSCHEIBE A 10,5 / LOCK WASHER / ROUE PLATE	7.312-160.0	1
	<b>VERSION 1/VERSION 1/VERSION 1</b>		
7	ZAHNSCHEIBE A 13,0 / LOCK WASHER / ROUE PLATE	7.312-169.0	2
	<b>VERSION 1/VERSION 1/VERSION 1</b>		
8	FL.RD.SCHR. M 8X 55 / SAUCER-HEAD SCREW / BOULON A TETE BOMBEE	7.303-165.0	3
	<b>VERSION 1/VERSION 1/VERSION 1</b>		
9	PROFILDICHTUNG / SEAL / ETOUPE PROFILE	5.365-068.0	2
10	HEIZSCHLANGE / HEATING COIL / SERPENTIN	4.680-127.0	1
11	6KT-SCHR. M 8X 60 / HEXAGONAL HEAD SCREW / VIS HEXAGONAL	7.304-096.0	3
	<b>VERSION 2/VERSION 2/VERSION 2</b>		
12	SCHEIBE 8 / WASHER / RONDELLE	7.312-004.0	3
	<b>VERSION 2/VERSION 2/VERSION 2</b>		
13	ZAHNSCHEIBE A 8,4 / LOCK WASHER / ROUE PLATE	7.312-166.0	3
	<b>VERSION 2/VERSION 2/VERSION 2</b>		
14	KAFIGMUTTER M 8 / NUT / ECROU	6.310-081.0	3
	<b>VERSION 2/VERSION 2/VERSION 2</b>		
15	AUSSENMANTEL / OUTER JACKET / ENVELOPPE	4.652-111.0	1
	<b>VERSION 2/VERSION 2/VERSION 2</b>		

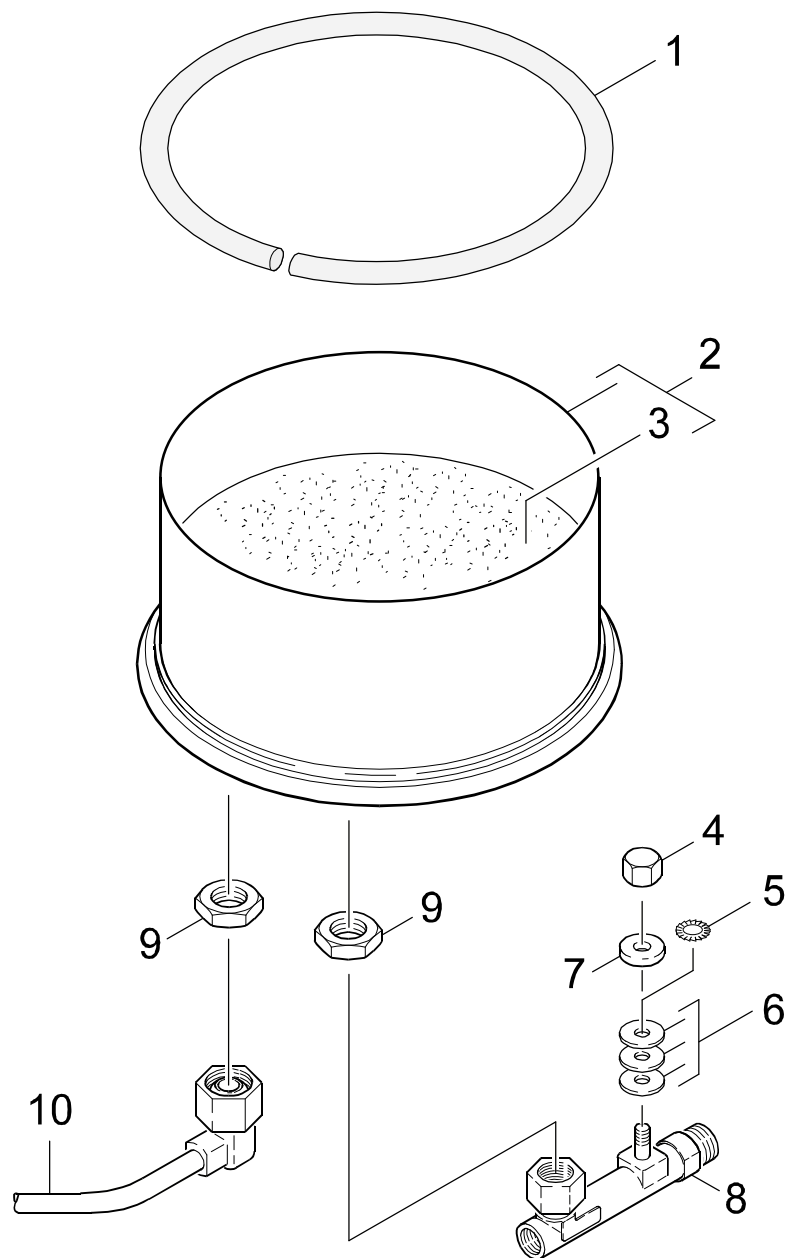
"=> xxxxxx" = bis Werknummer / up to serial No. / jusqu' au No. de fabr. / "xxxxxx =>" = ab Werknummer / from serial No. / a partir du No. de fabr. /



GRUPPE: 7.3 BRENNERBODEN  
GROUP: 7.3 BURNER BOTTOM  
GRUPPE: 7.3 FOND DE BRULEUR

F7

HDS 600 CI



Symbolbeschreibung siehe M16 / symbol description see M16 / désignation de système voir M16 /

GRUPPE: 7.3 BRENNERBODEN  
GROUP: 7.3 BURNER BOTTOM  
GROUPE: 7.3 FOND DE BRULEUR

G7

HDS 600 CI

POS.	BENNENUNG	TEILE-NR.	STCK
ITM.	DESCRIPTION	PART-NO.	QTY.
POS.	DESIGNATION	NO.PIECE	NBR.
1	DICHTSCHNUR / SEAL STRING / CORDE DE BOURRAGE	6.366-009.0	1
2	BODEN D.K. / BOTTOM / FOND	4.655-044.0	1
3	STAMPFMASSE 8KG / REFRACTORY MATERIAL / PISE REFRACT. DAME	2.889-061.0	1
4	6KT-MUTTER M 8 / HEXAGON NUT / ECROU HEXAGONAL	7.311-004.0	1
5	ZAHNSCHEIBE A 13,0 / LOCK WASHER / ROUE PLATE	7.312-169.0	2
6	SCHEIBE 10 / WASHER / RONDELLE	7.312-005.0	3
7	SCHEIBE 8 / WASHER / RONDELLE	7.312-277.0	1
8	KNOTENSTUECK / MANIFOLD / FERRURE NODALE	4.427-123.0	1
9	6KT-MUTTER M22X1,5 / HEXAGON NUT / ECROU HEXAGONAL	7.311-155.0	2
10	ROHRLEITUNG / PIPELINES / CONDUITE	4.421-064.0	1

"=> xxxxxx" = bis Werknummer / up to serial No. / jusqu' au No. de fabr. / "xxxxxx =>" = ab Werknummer / from serial No. / a partir du No. de fabr. /

GRUPPE: 8.0 SCHWIMMERKASTEN  
GROUP: 8.0 FLOAT CHEST  
GRUPPE: 8.0 BOITE DU FLOTTEUR

**A8**

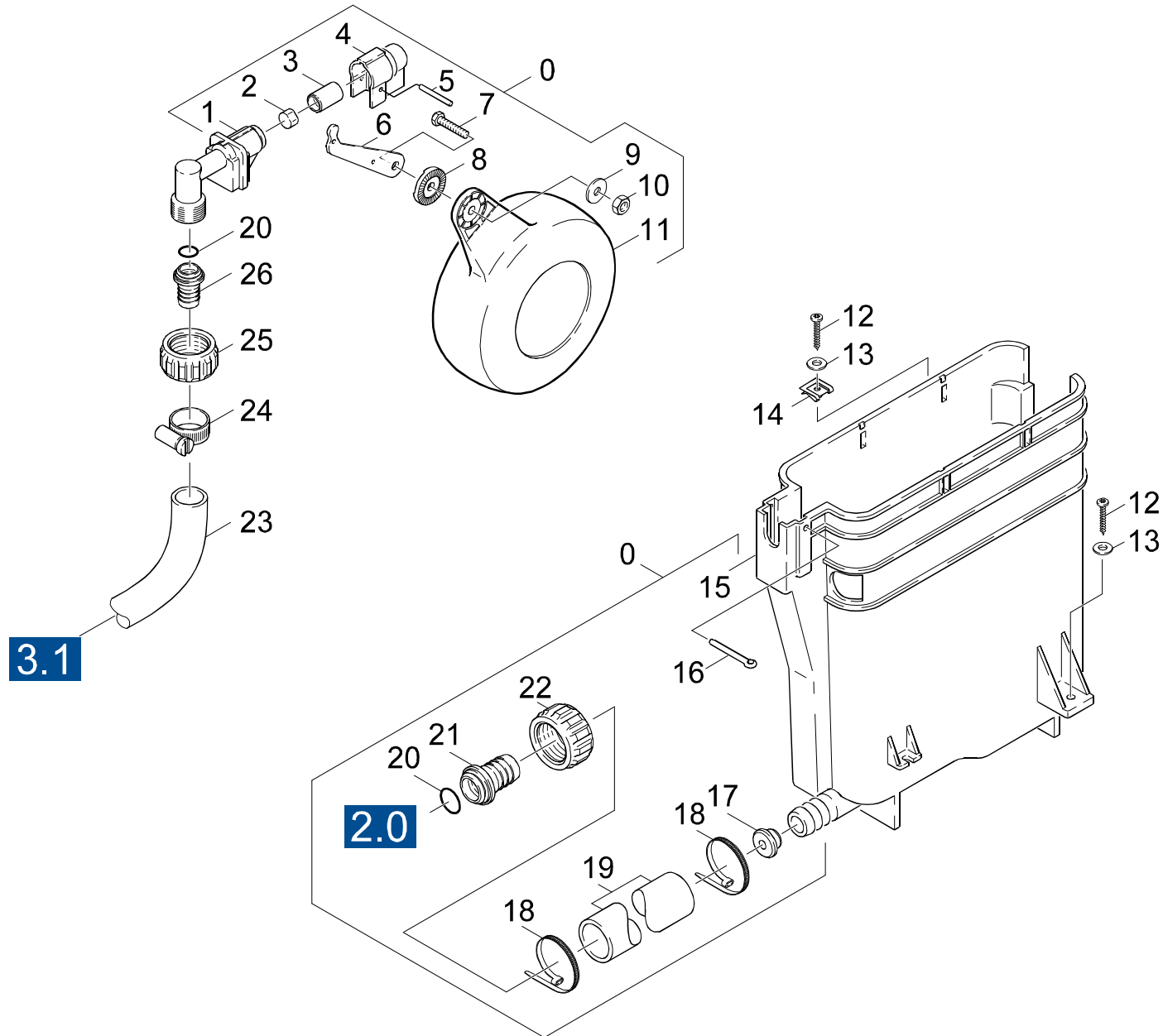
**HDS 600 CI**

**GRUPPE: 8.0 SCHWIMMERKASTEN**  
**GROUP: 8.0 FLOAT CHEST**  
**GRUPPE: 8.0 BOITE DU FLOTTEUR**

GRUPPE: 8.1 SCHWIMMERKASTEN  
GROUP: 8.1 FLOAT CHEST  
GRUPPE: 8.1 BOITE DU FLOTTEUR

B8

HDS 600 CI



Symbolbeschreibung siehe M16 / symbol description see M16 / désignation de système voir M16 /

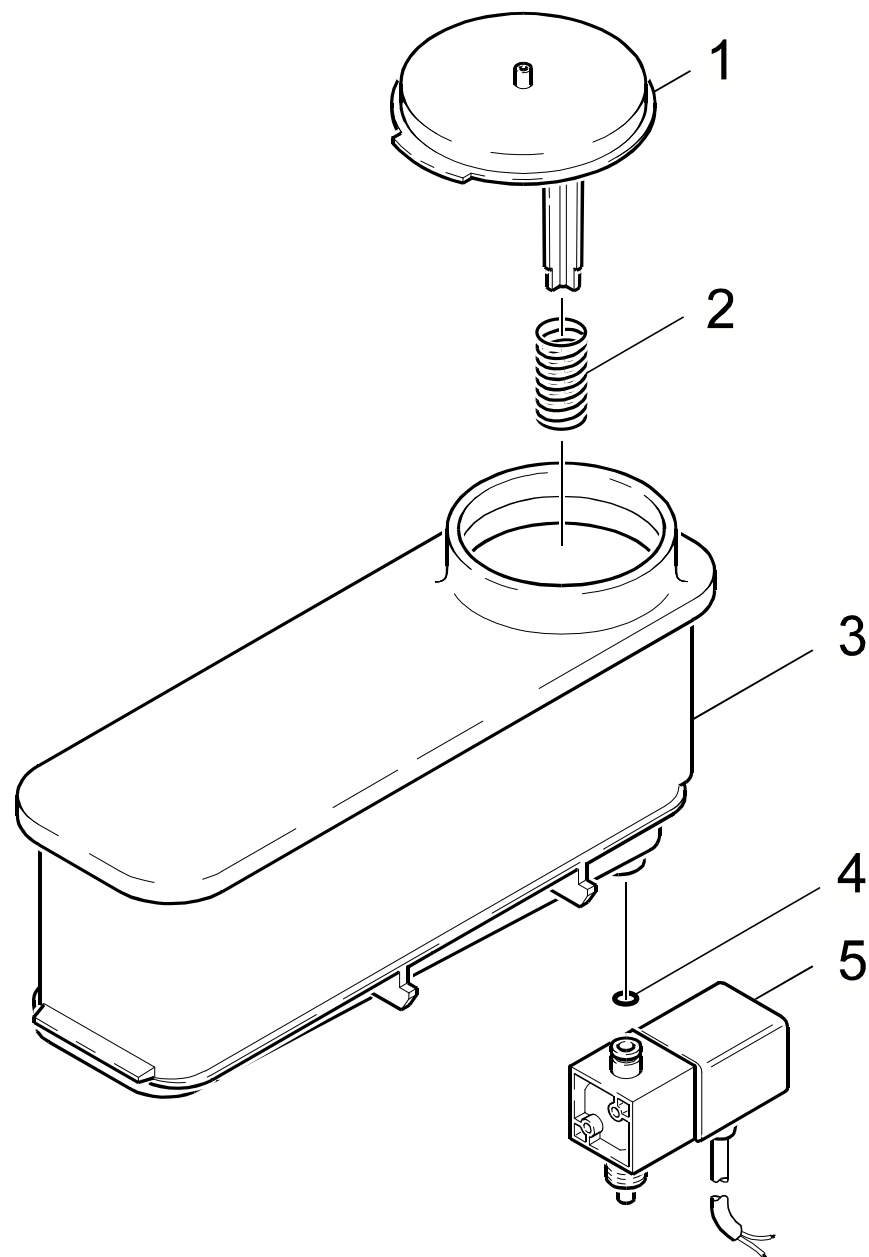
GRUPPE: 8.1 SCHWIMMERKASTEN  
 GROUP: 8.1 FLOAT CHEST  
 GROUPE: 8.1 BOITE DU FLOTTEUR

C8

HDS 600 CI

POS. ITM. POS.	BENNENUNG DESCRIPTION DESIGNATION	TEILE-NR. PART-NO. NO.PIECE	STCK QTY. NBR.
0	SCHWIMMERBEHAELTER / FLOAT CHEST / BOITE DU FLOTTEUR	3.593-102.0	1
1	VENTILGEHAEUSE / VALVE HOUSING / CORPS DE SOUPAPE	5.587-134.0	1
2	FLACHDICHTUNG / GASKET / GARNITURE PLATE	5.364-095.0	1
3	VENTILBOLZEN / VALVE PIN / BOULON DE SOUPAPE	5.584-026.0	1
4	SCHUTZTEIL / PROTECTION PART / PARTIE PROTECTEUR	5.394-066.0	1
5	BOLZEN 3,0X 25 / BOLT / BOULON	7.316-004.0	1
6	HEBEL / LEVER / LEVIER	5.481-029.0	1
7	SCHRAUBE M 6X 20 / SCREW / VIS	7.306-194.0	1
8	SCHEIBE / WASHER / RONDELLE	5.115-158.0	1
9	SCHEIBE 6 / WASHER / RONDELLE	7.312-279.0	1
10	6KT-MUTTER M 6 / HEXAGON NUT / ECROU HEXAGONAL	7.311-422.0	1
11	SCHWIMMER / FLOAT / FLOTTEUR	5.585-014.0	1
12	BL.SCHR. ST4,8X19 / SHEET METAL SCREW / VIS A TOLE	7.303-078.0	2
13	SCHEIBE 5 / WASHER / RONDELLE	7.312-278.0	2
14	SCHNAPPMUTTER 4,8 / SNAP NUT / ECROU A ENCLANCH.	6.310-028.0	1
15	BEHAELTER / TANK / BAC	5.070-099.0	1
16	SPLINT 4,0X 50 / COTTER / GOUPILLE FENDUE	7.316-432.0	1
17	BUCHSE / BUSH / DOUILLE	5.112-193.0	1
18	KABELBAND 8-210 / CABLE TIE / PROTECT. DE CABLE	6.641-474.0	2
19	SCHLAUCH 19X4X0,2M / HOSE / TUYAU FLEXIBLE	6.388-775.0	1
20	O-RING 13,3 X 2,4 / GASKET / BAQUE D'ETANCHEITE	6.362-078.0	2
21	SCHLAUCHNIPPEL / HOSE STEM / RACCORD DE FLEXIBLE	5.443-365.0	1
22	MUTTER / NUT / ECROU	5.310-062.0	1
23	SCHLAUCH DN16 / HOSE / TUYAU FLEXIBLE	6.388-719.0	1
	<b>ALS METERWARE BESTELLEN/TO ORDER AS CUT GOODS/COMMANDE COMME MARCHANDISE AU METRE</b>		
24	SCHLAUCHSCHELLE / HOSE BAND CLIP / COLLIER DE SERRAGE	6.388-547.0	1
25	MUTTER R 3/4Z / NUT / ECROU	5.310-061.0	1
26	SCHLAUCHNIPPEL / HOSE STEM / RACCORD DE FLEXIBLE	5.443-224.0	1

"=> xxxxxx" = bis Werknummer / up to serial No. / jusqu' au No. de fabr. / "xxxxxx =>" = ab Werknummer / from serial No. / a partir du No. de fabr. /



Symbolbeschreibung siehe M16 / symbol description see M16 / désignation de système voir M16 /

GRUPPE: 8.2 DGT  
GROUP: 8.2 DROP METERING UNIT  
GROUPE: 8.2 DGT

E8

HDS 600 CI

POS.	BENNENUNG	TEILE-NR.	STCK
ITM.	DESCRIPTION	PART-NO.	QTY.
POS.	DESIGNATION	NO.PIECE	NBR.
1	DECKEL / COVER / COUVERCLE	5.063-357.0	1
2	SCHRAUBENFEDER / HELICAL SPRING / RESSORT CYLINDRIQUE	5.332-001.0	1
3	BEHAELTER / TANK / BAC	4.070-123.0	1
4	O-RING 6,0 X 2,0 / GASKET / BAQUE D'ETANCHEITE	6.362-113.0	1
5	MAGNETVENTIL / SOLENOID VALVE / ELECTROVANNE	6.685-845.0	1

"=> xxxxxx" = bis Werknummer / up to serial No. / jusqu' au No. de fabr. / "xxxxxx =>" = ab Werknummer / from serial No. / a partir du No. de fabr. /

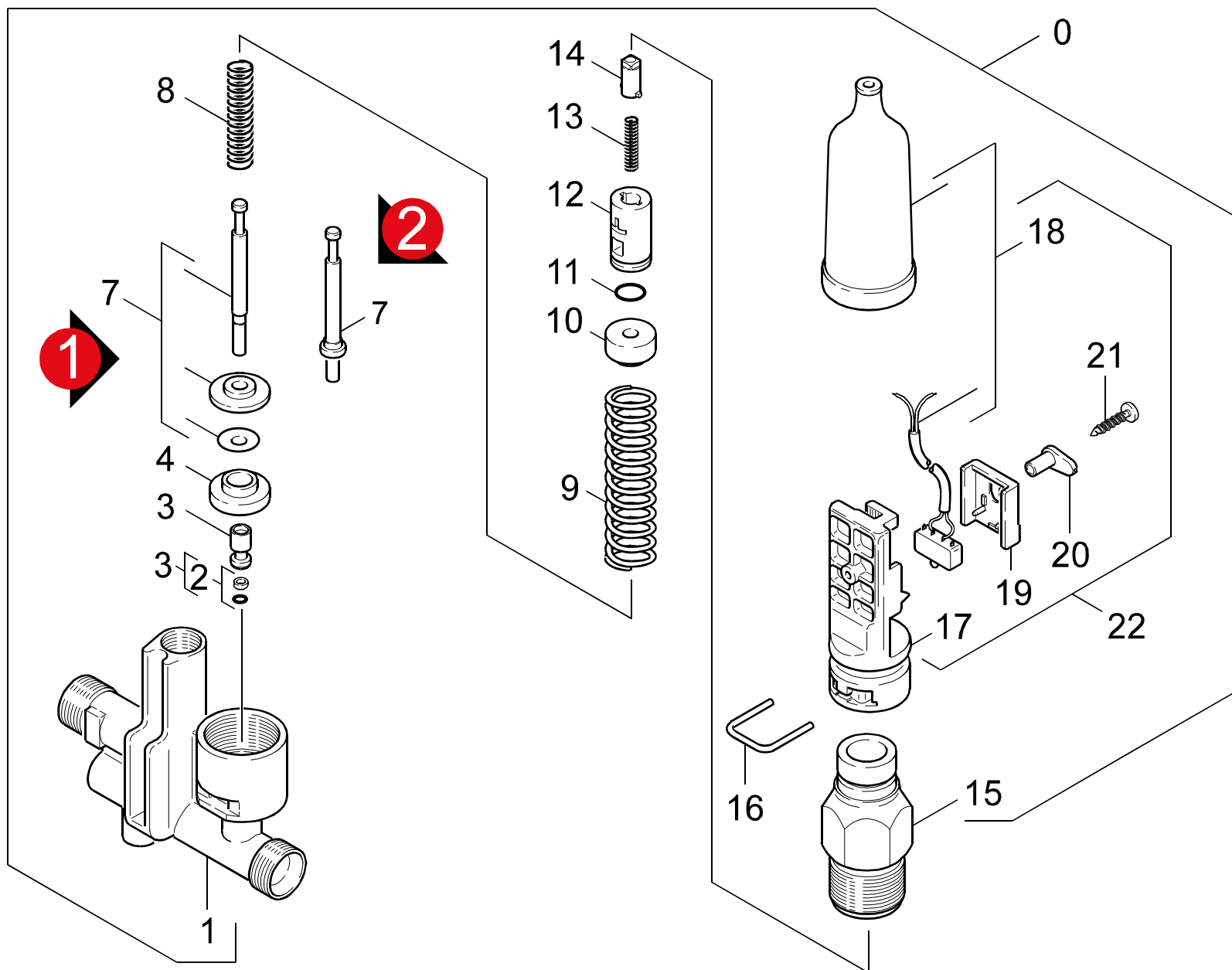
GRUPPE: 9.0 SICHERHEITSBLOCK  
GROUP: 9.0 SAFETY SYSTEM  
GRUPPE: 9.0 BLOC DE SECURITE

**A9**

**HDS 600 CI**

**GRUPPE: 9.0 SICHERHEITSBLOCK**  
**GROUP: 9.0 SAFETY SYSTEM**  
**GRUPPE: 9.0 BLOC DE SECURITE**





Symbolbeschreibung siehe M16 / symbol description see M16 / désignation de système voir M16 /

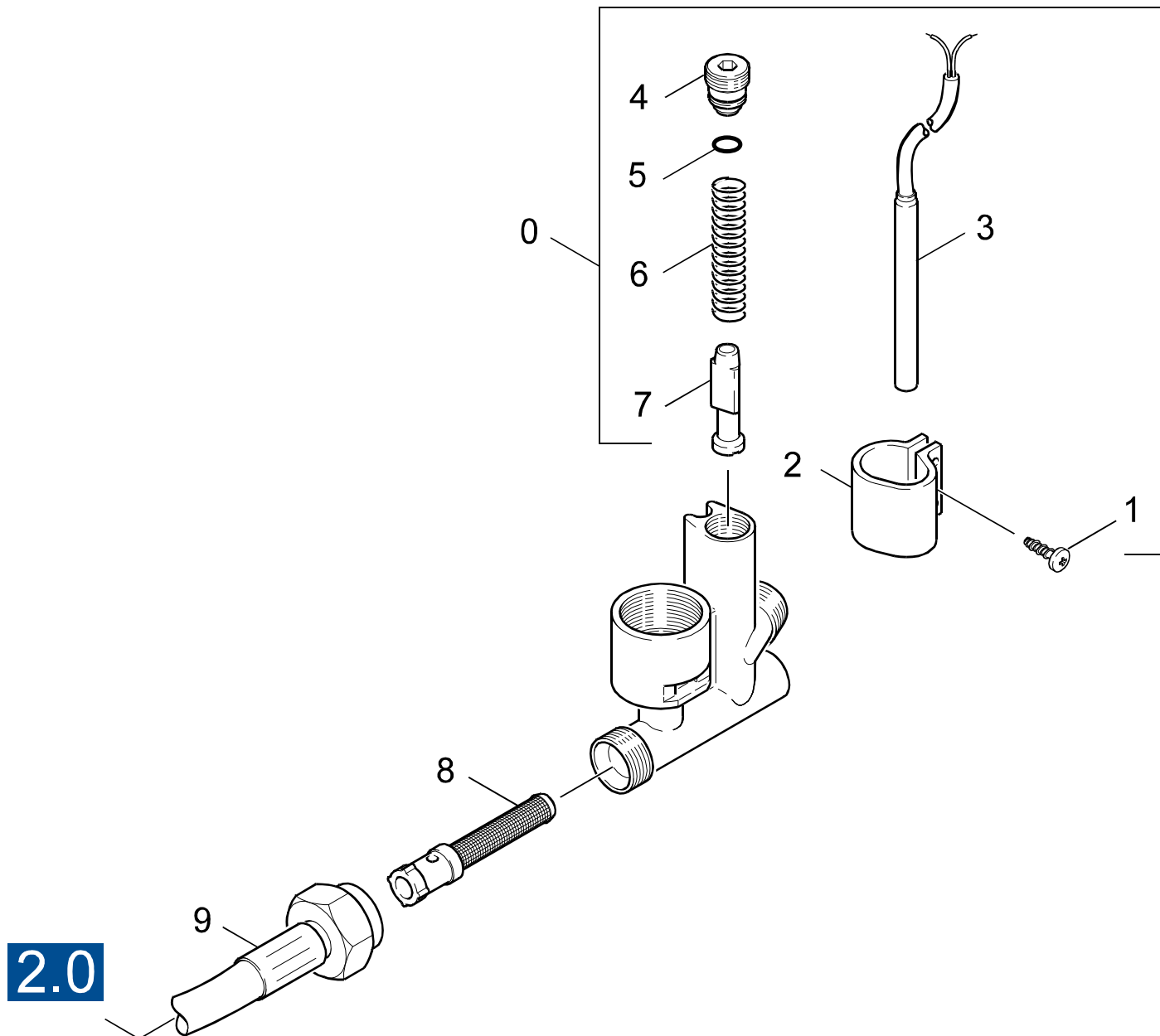
GRUPPE: 9.1 DRUCKSCHALTER  
GROUP: 9.1 PRESSURE SWITCH  
GROUPE: 9.1 PRESSOTAT

C9

HDS 600 CI

POS. ITM. POS.	BENNENUNG DESCRIPTION DESIGNATION	TEILE-NR. PART-NO. NO.PIECE	STCK QTY. NBR.
0	SICHERHEITSBLOCK / SAFETY SYSTEM / BLOC DE SECURITE	4.749-125.0	1
1	GEHAEUSE / HOUSING / BOITIER	5.060-478.0	1
2	O-RING KPL./1ST.-R. / GASKET / BAQUE D'ETANCHEITE	6.362-368.0	1
3	KOLBEN / PISTON / PISTON	4.553-025.0	1
4	SCHEIBE / WASHER / RONDELLE	5.115-147.0	1
7	STANGE / BAR / TIGE	5.107-192.0	1
8	SCHRAUBENFEDER / HELICAL SPRING / RESSORT CYLINDRIQUE	5.332-070.0	1
9	SCHRAUBENFEDER / HELICAL SPRING / RESSORT CYLINDRIQUE	5.332-069.0	1
10	BUCHSE / BUSH / DOUILLE	5.112-424.0	1
11	O-RING 12,0 X 2,0 / GASKET / BAQUE D'ETANCHEITE	6.362-169.0	1
12	KOLBEN / PISTON / PISTON	5.553-265.0	1
13	SCHRAUBENFEDER / HELICAL SPRING / RESSORT CYLINDRIQUE	5.332-293.0	1
14	BOLZEN - FEDER / BOLT / BOULON	5.316-278.0	1
15	GEHAEUSE / HOUSING / BOITIER	5.060-414.0	1
16	HAKEN / HOOK / PATERE	5.037-080.0	1
17	HALTER / BRACKET / FIXATION	5.042-618.0	1
18	MIKROSCHALTER / MICRO SWITCH / MICRORUPTEUR	6.631-751.0	1
19	HALTER / BRACKET / FIXATION	5.042-728.0	1
20	BOLZEN / BOLT / BOULON	5.316-284.0	1
21	SCHRAUBE 4 X 20 / SCREW / VIS	7.303-117.0	1
22	SCHALTER SI-BLOCK / SWITCH / INTERRUPTEUR	4.744-089.0	1

"=> xxxxxx" = bis Werknummer / up to serial No. / jusqu' au No. de fabr. / "xxxxxx =>" = ab Werknummer / from serial No. / a partir du No. de fabr. /



2.0

Symbolbeschreibung siehe M16 / symbol description see M16 / désignation de système voir M16 /

GRUPPE: 9.2 REEDSCHALTER  
GROUP: 9.2 REED SWITCH  
GROUPE: 9.2 INTERRUPTER REED

E9

HDS 600 CI

POS. ITM. POS.	BENNENUNG DESCRIPTION DESIGNATION	TEILE-NR. PART-NO. NO.PIECE	STCK QTY. NBR.
0	SICHERHEITSBLOCK / SAFETY SYSTEM / BLOC DE SECURITE	4.749-125.0	1
1	LINSENSCHR. 4,2X 13 / OVAL HEAD SCREW / VIS A TETE BOMBEE	6.303-122.0	1
2	SCHELLE / CLAMP / COLLIER	5.041-076.0	1
3	ERSATZREEDSCHALTER / SPARE REED SWITCH / INTERRUPT.REED DE RESERVE	2.883-384.0	1
4	FORMSCHRAUBE / FORM SCREW / VIS	5.305-162.0	1
5	O-RING 10 X 1,5 / GASKET / BAQUE D'ETANCHEITE	6.362-482.0	1
6	SCHRAUBENFEDER / HELICAL SPRING / RESSORT CYLINDRIQUE	5.332-057.0	1
7	KOLBEN / PISTON / PISTON	4.553-022.0	1
8	SIEB / STRAINER / CREPINE	6.414-436.0	1
9	HD-SCHLAUCH DN 8 / HIGH PRESSURE HOSE / TUYAU FLEXIBLE HAUTE PRE.	6.388-910.0	1

"=> xxxxxx" = bis Werknummer / up to serial No. / jusqu' au No. de fabr. / "xxxxxx =>" = ab Werknummer / from serial No. / a partir du No. de fabr. /

GRUPPE: 10.0ZUBEHOER  
GROUP: 10.0ACCESSORIES  
GRUPPE: 10.0ACCESSOIRES

**A10**

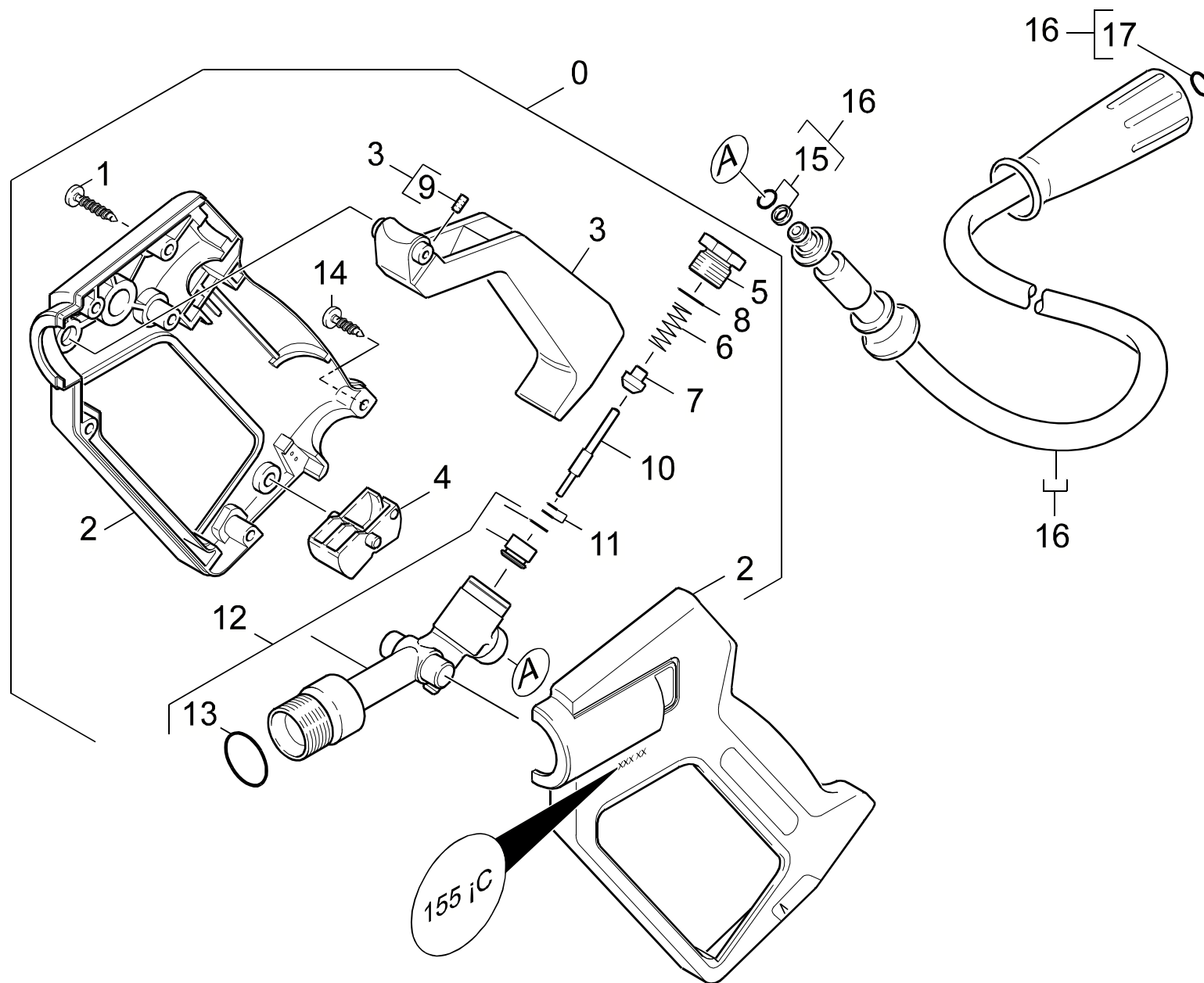
**HDS 600 CI**

**GRUPPE: 10.0ZUBEHOER**  
**GROUP: 10.0ACCESSORIES**  
**GRUPPE: 10.0ACCESSOIRES**

GRUPPE: 10.1 HANDSPRITZPISTOLE  
GROUP: 10.1 TRIGGER GUN  
GRUPPE: 10.1 POIGNEE PISTOLET

B10

HDS 600 CI



Symbolbeschreibung siehe M16 / symbol description see M16 / désignation de système voir M16 /

GRUPPE: 10.1 HANDSPRITZPISTOLE  
GROUP: 10.1 TRIGGER GUN  
GROUPE: 10.1 POIGNEE PISTOLET

C10

HDS 600 CI

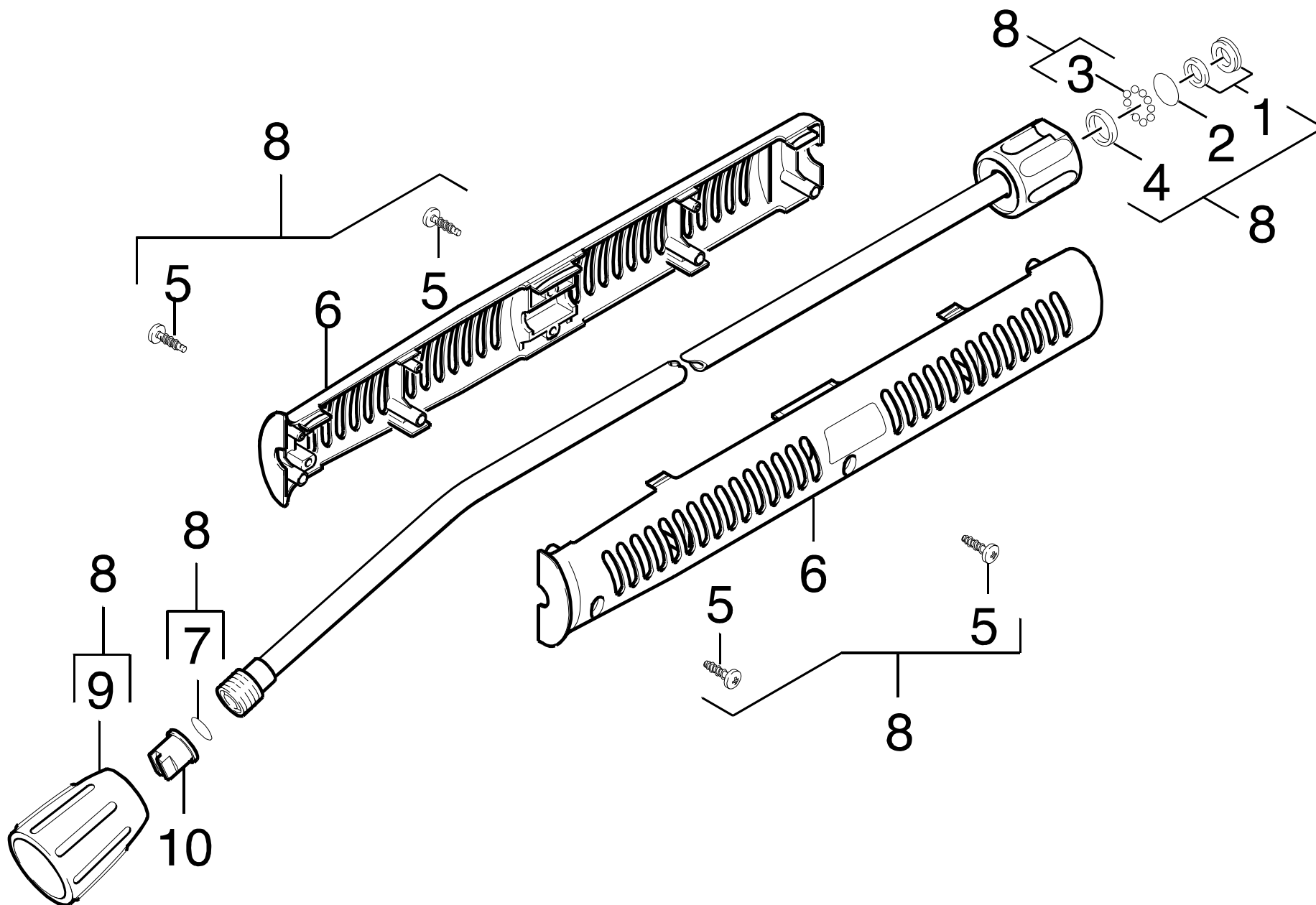
POS. ITM. POS.	BENNENUNG DESCRIPTION DESIGNATION	TEILE-NR. PART-NO. NO.PIECE	STCK QTY. NBR.
0	HANDSPRITZPISTOLE / TRIGGER GUN / POIGNEE PISTOLET	4.775-080.0	1
1	LINSENSCHR. 4,2X22 / OVAL HEAD SCREW / VIS A TETE BOMBEE	6.303-024.0	6
2	GRIFFPAAR / HANDLES / BRANCHES POIGNEE	5.321-230.0	1
3	HEBEL / LEVER / LEVIER	4.481-050.0	1
4	HEBEL / LEVER / LEVIER	5.481-052.0	1
5	VERSCHLUSSCHRAUBE / CLOSING SCREW / VIS DE FERMETURE	5.411-067.0	1
6	SCHRAUBENFEDER / HELICAL SPRING / RESSORT CYLINDRIQUE	5.332-157.0	1
7	VENTILTELLER / VALVE DISC / TETE DE SOUPAPE	5.582-084.0	1
8	O-RING 12,42X 1,78 / GASKET / BAQUE D'ETANCHEITE	6.362-584.0	1
9	GEW.STIFT M 8X 16 / THREADED PIN / VIS SANS TETE	7.307-417.0	1
10	STANGE / BAR / TIGE	5.107-097.0	1
11	O-RING KPL./1ST.-R. / GASKET / BAQUE D'ETANCHEITE	6.362-571.0	1
12	KNOTENSTUECK / MANIFOLD / FERRURE NODALE	4.427-131.0	1
13	O-RING 17,12X 2,62 / GASKET / BAQUE D'ETANCHEITE	6.362-496.0	1
14	LINSENSCHR. 4,2X16 / OVAL HEAD SCREW / VIS A TETE BOMBEE	6.303-025.0	1
15	O-RING KPL./1ST.-R. / GASKET / BAQUE D'ETANCHEITE	6.363-115.0	1
16	HD-SCHLAUCH DN6 / HIGH PRESSURE HOSE / TUYAU FLEXIBLE HAUTE PRE.	6.389-853.0	1
17	ERSATZTEILSET / SPARE PARTS KIT / KIT DE PIECES	2.880-296.0	1
100	ERSATZTEILSET / SPARE PARTS KIT / KIT DE PIECES	2.883-192.0	1

"=> xxxxxx" = bis Werknummer / up to serial No. / jusqu' au No. de fabr. / "xxxxxx =>" = ab Werknummer / from serial No. / a partir du No. de fabr. /

GRUPPE: 10.2 STRAHLROHR / VERSION 1 /  
GROUP: 10.2 JET PIPE / VERSION 1 /  
GRUPPE: 10.2 LANCE D'INCENDIE / VERSION 1 /

D10

HDS 600 CI



Symbolbeschreibung siehe M16 / symbol description see M16 / désignation de système voir M16 /



GRUPPE: 10.2STRAHLROHR / VERSION 1 /  
GROUP: 10.2JET PIPE / VERSION 1 /  
GRUPPE: 10.2LANCE D'INCENDIE / VERSION 1 /

E10

HDS 600 CI

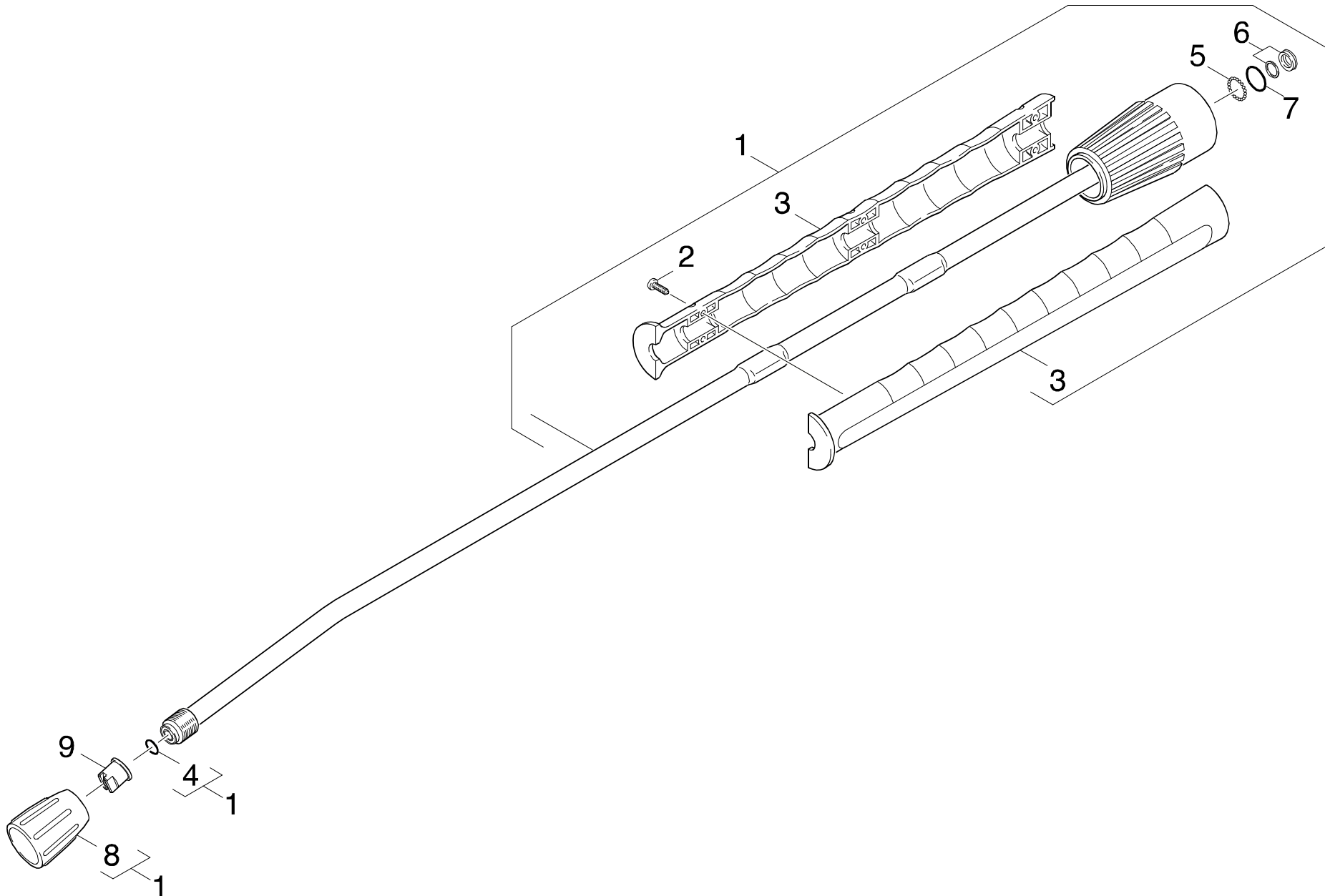
POS. ITM. POS.	BENNENUNG DESCRIPTION DESIGNATION	TEILE-NR. PART-NO. NO.PIECE	STCK QTY. NBR.
1	NUTRING KPL.1ST.R. / GROOVED RING / JOINT A LEVRES	6.362-532.0	1
2	O-RING 17,0 X 1,5 / GASKET / BAQUE D'ETANCHEITE	6.362-524.0	1
3	KUGEL 4,0 KL3 / BALL / BOULE	7.401-921.0	12
4	DICHTRING 12X1,5 / JOINT RING / BAGUE D'ETANCHEITE	6.362-529.0	1
5	LINSENSCHR. 4,2X16 / OVAL HEAD SCREW / VIS A TETE BOMBEE	6.303-025.0	4
6	GRIFF / HANDLE / POIGNEE	5.321-150.0	2
7	ERSATZTEILSET / SPARE PARTS KIT / KIT DE PIECES	2.880-296.0	1
8	STRAHLROHR KPL. / JET PIPE / LANCE D'INCENDIE	4.760-550.0	1
9	VERSCHRAUBUNGSTEIL / SCREW UNION PART / PIECE (RACCORD A VIS)	5.401-210.0	1
10	POWERDUESE 25045 / POWER NOZZLE / BUSE	2.883-398.0	1

"=> xxxxxx" = bis Werknummer / up to serial No. / jusqu' au No. de fabr. / "xxxxxx =>" = ab Werknummer / from serial No. / a partir du No. de fabr. /

GRUPPE: 10.3 STRAHLROHR / VERSION 2 /  
GROUP: 10.3 JET PIPE / VERSION 2 /  
GRUPPE: 10.3 LANCE D'INCENDIE / VERSION 2 /

F10

HDS 600 CI



Symbolbeschreibung siehe M16 / symbol description see M16 / désignation de système voir M16 /

GRUPPE: 10.3 STRAHLROHR / VERSION 2 /  
GROUP: 10.3 JET PIPE / VERSION 2 /  
GRUPPE: 10.3 LANCE D'INCENDIE / VERSION 2 /

**G10**

**HDS 600 CI**

POS. ITM. POS.	BENNENUNG DESCRIPTION DESIGNATION	TEILE-NR. PART-NO. NO.PIECE	STCK QTY. NBR.
1	STRAHLROHR KPL. / JET PIPE / LANCE D'INCENDIE	4.760-550.0	1
2	SCHRAUBE 4 X 16 / SCREW / VIS	7.303-129.0	6
3	GRIFFPAAR / HANDLES / BRANCHES POIGNEE	5.321-691.0	1
4	ERSATZTEILSET / SPARE PARTS KIT / KIT DE PIECES	2.880-296.0	1
5	KUGEL 2,5 G40 / BALL / BOULE	7.401-915.0	20
6	NUTRING KPL.1ST.R. / GROOVED RING / JOINT A LEVRES	6.362-532.0	1
7	O-RING 17,0 X 1,5 / GASKET / BAQUE D'ETANCHEITE	6.362-524.0	1
8	VERSCHRAUBUNGSTEIL / SCREW UNION PART / PIECE (RACCORD A VIS)	5.401-210.0	1
9	POWERDUESE 25045 / POWER NOZZLE / BUSE	2.883-398.0	1

"=> xxxxxx" = bis Werknummer / up to serial No. / jusqu' au No. de fabr. / "xxxxxx =>" = ab Werknummer / from serial No. / a partir du No. de fabr. /

## Bestellhinweis

Bei Ihrer Bestellung sind unbedingt anzugeben :

1.	2.	3.	4.	5.
Gerätetyp Machine model Type d'appareils	Herstell-Nr. Serial-No. No. de série	Benennung Description Désignation	Teile-Nr. Part No. Référence	Stückzahl Piece No. Quantité



**siehe Typenschild  
see name-plate  
voir plaque signalétique**



**siehe Ersatzteilliste  
see spare parts list  
voir liste des pièces de rechange**

- Die Ersatzteile, welche als Meterware geliefert werden, sind auf Einbaulänge selbst zu kürzen. Ebenso sind die Stückzahlen in den jeweiligen Gruppen als Mindestbestellmengen = 1m angegeben und können je nach Bedarf auf weitere volle Meterzahlen erhöht und bestellt werden.
- Spare Parts which are delivered as cut goods have to be shortened to installation length. The quotation of quantity in each group refers to the minimum order quantity = 1m and may be ordered and raised to further full metre-values according to demand
- Les pièces de rechange qui sont livrées comme marchandise au mètre sont à raccourcir selon la longueur d'installation. Les indications de quantité dans chaque group se réfèrent à des valeurs de mètre de plus.
- Diese Ersatzteilliste erscheint in gedruckter Form sowie als Mikrofiche. Bei Querverweisen bezieht sich die Angabe "Seitenzahl" auf die gedruckte Ersatzteilliste und die Angabe "Bildtafel" auf die Mikrofilmausgabe.
- This spare parts list is published both in printed form and as a microfiche. In the cross-references, "page number" refers to the printed spare parts list and "display table" to the microfilm edition.
- Cette liste de pièces de rechange est aussi bien imprimée que publiée sous forme de microfiche. Les indications transversales renvoient au "numéro de page" sur la liste imprimée des pièces de rechange et à la "planche" sur la microfiche.

Bitte beachten Sie, daß der Teileumfang dieser Ersatzteilliste nicht unbedingt dem Lieferumfang Ihres Gerätes entspricht.

For your information: It could be that certain parts quoted in this spare parts list were not included with the machine delivery.

Pour votre information: il se peut que certaines pièces détachées mentionnées sur la liste ne vous aient pas été livrées avec l'appareil.

Die in dieser Ersatzteilliste nicht aufgeführten Einzelteile, bestellen Sie bitte direkt beim Vertragskundendienst des jeweiligen Herstellers.

Please order the individual parts not included in this assembly directly with the contract aftersales service of the manufacturer in question.

Veillez s'il vous plaît, commander les pièces détachées qui ne sont indiquées dans notre liste des pièces détachées, directement auprès du service après-vente des fabricants en question.

Bei Bestellung von lackierten Teilen, welche in der Ersatzteilliste nicht in verschiedenen Farben ausgewiesen sind, ist zusätzlich die Farbnummer oder Farbe mit anzugeben. Diese finden Sie auf dem Typenschild oder Farbschild Ihres Gerätes.

Upon ordering of varnished parts which are not mentioned in the spare parts list as parts with different colors, kindly additionally mention the number of the color. It can be seen on the type plate of the color plate of your machine.

Commandant des parts vernissés qui ne sont pas mentionnés comme parts avec une couleur différente dans la liste des pièces détachées, veuillez mentionner de plus le numéro de la couleur. Il se trouve sur la plaque signalétique ou la plaque de couleur de votre machine.

Auflistungen von Einzelteilen bei Ersatzteil - u. Pumpensets sind in der Reihe "16" einzusehen, bzw. direkt unter dem entsprechenden Set aufgelistet.

Listings of single parts upon spare parts kits and pump kits can be seen in row "16" or directly listed below the corresponding kit.  
Des établissements des pièces détachées en ce qui concerne les kits des pièces de rechange et les kits de pompes, peuvent être vus à la ligne "16" ou ils sont répertoriés directement au-dessous du jeu correspondant.

Technische Änderungen im Rahmen der Weiterentwicklung sowie das Recht der ausschließlichen Auswertung unseres geistigen Eigentums behalten wir uns vor. Vervielfältigung und Nachdruck nur mit Genehmigung und Urheberhinweis möglich.

We reserve the right to make technical changes in the course of development work and the right to make exclusive use of our intellectual property. This spare parts list may be duplicated or reprinted only with our approval and with acknowledgement of our copyright.

Nous nous réservons le droit de toutes modifications techniques dans le cadre du perfectionnement des mises au point ainsi que le droit de la mise en valeur exclusive de notre propriété intellectuelle. Polycopie et reproduction exclusivement après accord et avec mention de l'auteur.

# INDEX

## M16

## HDS 600 CI

GRUPPE:	1.0 EINZELTEILE	A1-I1	GRUPPE:	9.0 SICHERHEITSBLOCK	A9-E9
GROUP:	1.0 PIECE PARTS		GROUP:	9.0 SAFETY SYSTEM	
GRUPPE:	1.0 PIECES CONSTITUANTES		GRUPPE:	9.0 BLOC DE SECURITE	
GRUPPE:	2.0 PUMPENSATZ	A2-G2	GRUPPE:	10.0 ZUBEHOER	A10-G10
GROUP:	2.0 PUMP SET		GROUP:	10.0 ACCESSORIES	
GRUPPE:	2.0 JEU (ENSEMBLE) DE POMPE		GRUPPE:	10.0 ACCESSOIRES	
GRUPPE:	3.0 MOTOR	A3-E3			
GROUP:	3.0 MOTOR				
GRUPPE:	3.0 MOTEUR				
GRUPPE:	4.0 GEBLAESE	A4-C4			
GROUP:	4.0 BLOWER				
GRUPPE:	4.0 VENTILATEUR				
GRUPPE:	5.0 BRENNSTOFFPUMPE	A5-E5			
GROUP:	5.0 FUEL PUMP				
GRUPPE:	5.0 POMPE DE COMBUSTIBLE				
GRUPPE:	6.0 E-GERAETESCHRANK	A6-E6			
GROUP:	6.0 ELECTRIC CONTROL BOX				
GRUPPE:	6.0 COFFRET ELECTRIQUE				
GRUPPE:	7.0 DURCHLAUFERHITZER	A7-G7			
GROUP:	7.0 FLOW HEATER				
GRUPPE:	7.0 CHAUFFE-EAU RAPIDE				
GRUPPE:	8.0 SCHWIMMERKASTEN	A8-E8			
GROUP:	8.0 FLOAT CHEST				
GRUPPE:	8.0 BOITE DU FLOTTEUR				



BEISPIEL: VERSION 1  
EXAMPLE: VERSION 1  
EXEMPLE: VERSION 1

**3.0**

BEISPIEL: SIEHE IN GRUPPE 3  
EXAMPLE: SEE IN GROUP 3  
EXEMPLE: VOIR EN GROUPE 3



WICHTIGER HINWEIS  
IMPORTANT REMARK  
REMARQUAGE IMPORTANT

BESTELLMERKUNG SIEHE M15  
EXAMPLE ORDER SEE M15  
EXEMPLE DE COMMANDE VOIR M15

VARIANTENÜBERSICHT SIEHE L16  
VARIANTS SURVEY SEE L16  
VUE D'ENSEMBLE DE VARIANTS VOIR L16