



**Ersatzteilliste**  
**Spare Parts List**  
**Liste des pièces de rechange**

# **HDS 600 C**

1.793-671.0 HDS 600 C \* UL

1.793-771.0 HDS 600 C

GRUPPE: 1.0 EINZELTEILE  
GROUP: 1.0 PIECE PARTS  
GRUPPE: 1.0 PIECES CONSTITUANTES

**A1**

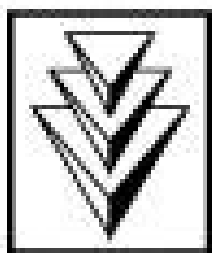
**HDS 600 C**

**GRUPPE: 1.0 EINZELTEILE**  
**GROUP: 1.0 PIECE PARTS**  
**GRUPPE: 1.0 PIECES CONSTITUANTES**

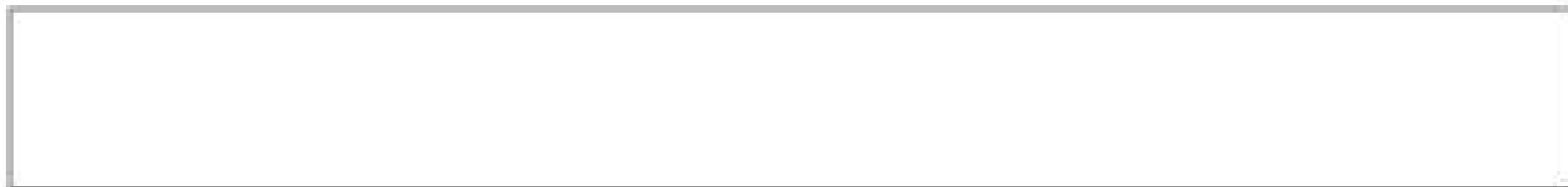
GRUPPE: 1.1 HAUBE  
GROUP: 1.1 COVER  
GRUPPE: 1.1 CAPOT

**B1**

**HDS 600 C**



**KÄRCHER**



Symbolbeschreibung siehe M16 / symbol description see M16 / désignation de système voir M16 /

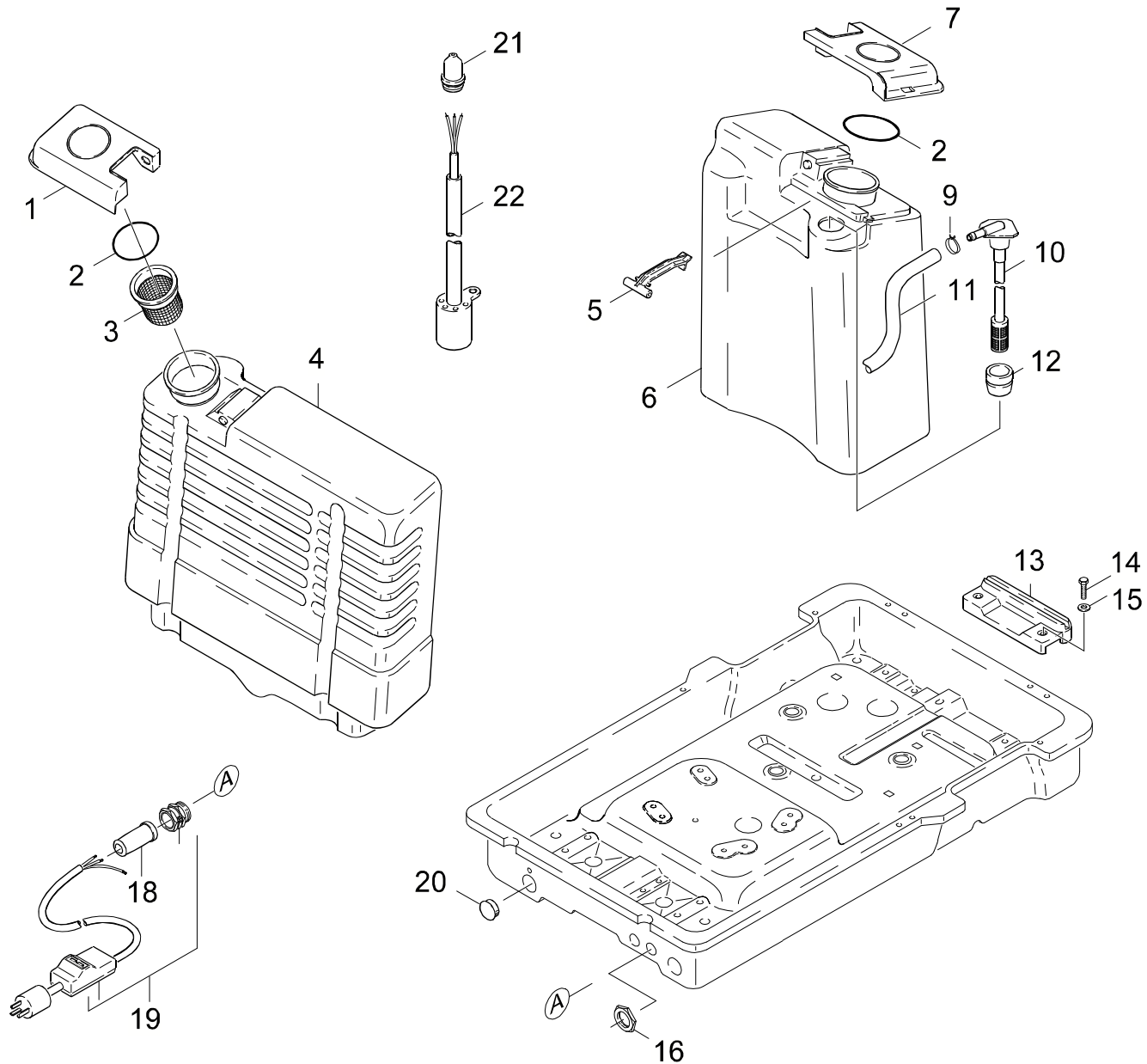
GRUPPE: 1.1 HAUBE  
GROUP: 1.1 COVER  
GROUPE: 1.1 CAPOT

C1

HDS 600 C

POS. ITM. POS.	BENNENUNG DESCRIPTION DESIGNATION	TEILE-NR. PART-NO. NO.PIECE	STCK QTY. NBR.
1	HAUBE / COVER / CAPOT	5.066-686.0	1
3	HALTER / BRACKET / FIXATION	5.042-462.0	2
4	ERSATZTEILSET / SPARE PARTS KIT / KIT DE PIECES	2.883-167.0	1
5	GRIFF LINKS / HANDLE / POIGNEE	5.321-280.0	1
6	BL.SCHR. ST4,8X19 / SHEET METAL SCREW / VIS A TOLE	7.303-078.0	4
7	BOLZEN / BOLT / BOULON	5.316-240.0	2
8	GRIFF RECHTS / HANDLE / POIGNEE	5.321-278.0	1
9	BL.SCHR. ST4,8X13 / SHEET METAL SCREW / VIS A TOLE	7.303-076.0	2
10	SCHEIBE 5 / WASHER / RONDELLE	7.312-278.0	2
11	HALTER / BRACKET / FIXATION	5.042-561.0	2

"=> xxxxxx" = bis Werknummer / up to serial No. / jusqu' au No. de fabr. / "xxxxxx =>" = ab Werknummer / from serial No. / a partir du No. de fabr. /



Symbolbeschreibung siehe M16 / symbol description see M16 / désignation de système voir M16 /

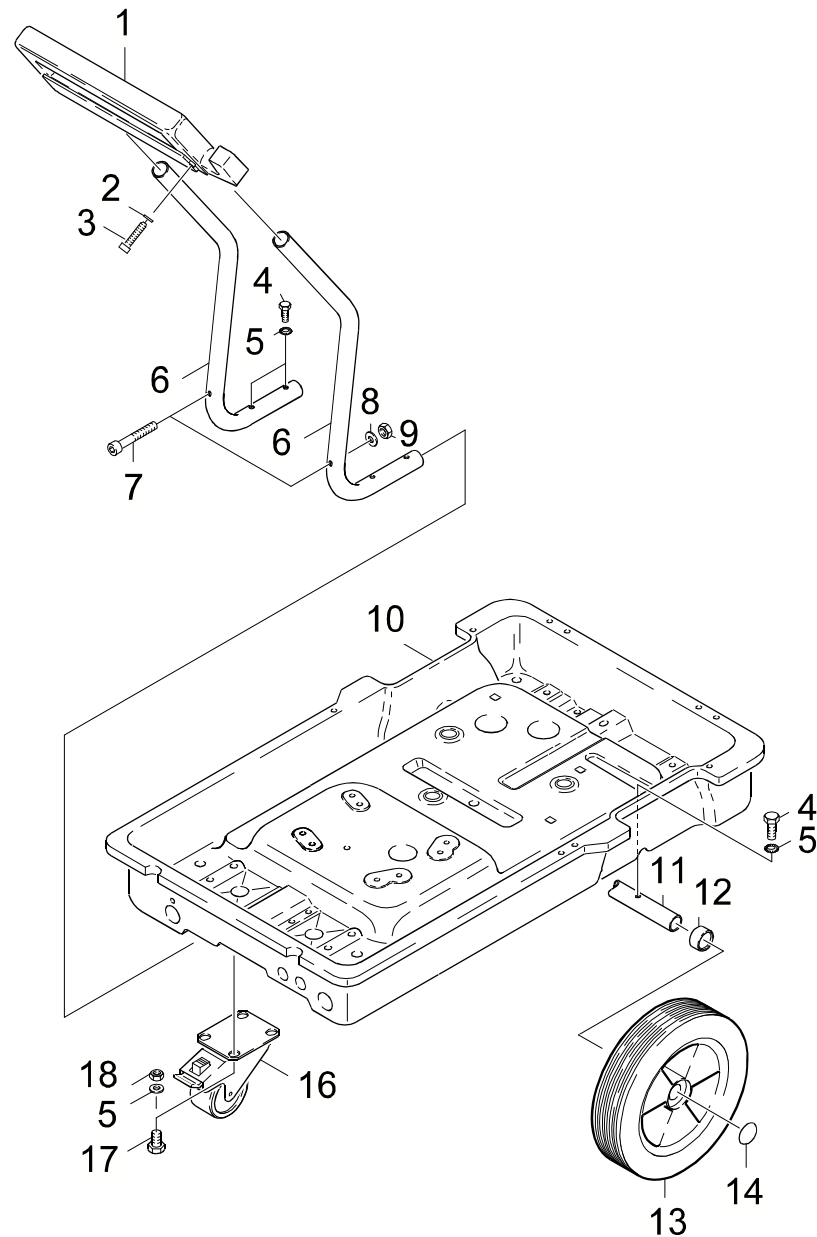
GRUPPE: 1.2 TANK  
GROUP: 1.2 TANK  
GROUPE: 1.2 RESERVOIR

E1

HDS 600 C

POS. ITM. POS.	BENNENUN DESCRIPTION DESIGNATION	TEILE-NR. PART-NO. NO.PIECE	STCK QTY. NBR.
1	DECKEL / COVER / COUVERCLE	5.063-326.0	1
2	O-RING 50,0 X 4,0 / GASKET / BAQUE D'ETANCHEITE	6.362-635.0	2
3	SIEB / STRAINER / CREPINE	6.414-340.0	1
4	BRENNSTOFFTANK / FUEL TANK / RESERVOIR COMBUSTION	5.071-040.0	1
5	HALTER / BRACKET / FIXATION	5.042-463.0	1
6	CHEMIETANK / CHEMISTRIE TANK / RESERVOIR A CHEMIE	5.071-038.0	1
7	DECKEL / COVER / COUVERCLE	5.063-360.0	1
9	SCHLAUCHSCHELLE / HOSE BAND CLIP / COLLIER DE SERRAGE	6.388-559.0	2
10	FILTER / FILTER / FILTRE	6.414-028.0	1
11	SCHLAUCH DN 7 / HOSE / TUYAU FLEXIBLE	6.388-225.0	1
	<b>ALS METERWARE BESTELLEN/TO ORDER AS CUT GOODS/COMMANDE COMME MARCHANDISE AU METRE</b>		
12	PROFILDICHTUNG / SEAL / ETOUPE PROFILE	5.365-147.0	1
13	AUFLAGER / SUPPORT / SUPPORT	5.057-040.0	1
14	SCHRAUBE M 6X 20 / SCREW / VIS	6.303-105.0	2
15	SCHEIBE 6 / WASHER / RONDELLE	7.312-291.0	2
16	GEGENMUTTER PG13.5 / COUNTERNUT / CONTRE-ECROU	6.641-480.0	1
18	STRAIN RELIEF PG21 / STRAIN RELIEF / STRAIN RELIEF PG21	6.647-307.0	1
19	CABLE PLUG AND GFCI / CABLE / CABLE	6.647-383.0	1
19	CABLE WITH PLUG / CABLE / CABLE	6.647-420.0	1
20	ABDECKKAPPE / CAP / CHAPE	6.368-127.0	1
21	PROFILDICHTUNG / SEAL / ETOUPE PROFILE	5.365-149.0	1
22	NIVEAUFUEHLER / LEVEL PROBE / DETECTEUR DE NIVEAU	4.747-042.0	1

"=> xxxxxx" = bis Werknummer / up to serial No. / jusqu' au No. de fabr. / "xxxxxx =>" = ab Werknummer / from serial No. / a partir du No. de fabr. /



Symbolbeschreibung siehe M16 / symbol description see M16 / désignation de système voir M16 /

GRUPPE: 1.3 RAHMEN  
GROUP: 1.3 FRAME  
GROUPE: 1.3 CADRE

G1

HDS 600 C

POS. ITM. POS.	BENNENUNG DESCRIPTION DESIGNATION	TEILE-NR. PART-NO. NO.PIECE	STCK QTY. NBR.
1	GRIFF / HANDLE / POIGNEE	5.321-238.0	1
2	SCHEIBE 6 / WASHER / RONDELLE	7.312-291.0	2
3	SCHRAUBE M 6X 20 / SCREW / VIS	6.303-105.0	2
4	SCHRAUBE M 8X 16 / SCREW / VIS	6.303-031.0	6
5	ZAHNSCHEIBE A 8,4 / LOCK WASHER / ROUE PLATE	7.312-166.0	4
6	GRIFF / HANDLE / POIGNEE	5.321-239.0	2
7	ZYL.SCHR. M 6X 45 / CHEESE HEAD SCREW / VIS A TETE CYLINDR.	7.306-514.0	2
8	SCHEIBE 6 / WASHER / RONDELLE	7.312-260.0	2
9	6KT-MUTTER M 6 / HEXAGON NUT / ECROU HEXAGONAL	7.311-512.0	2
10	RAHMEN / FRAME / CADRE	5.050-032.0	1
11	ACHSE / AXLE / ESSIEU	5.105-086.0	1
12	HUELSE / SLEEVE / DOUILLE	5.110-358.0	2
13	SCHEIBENRAD D 250 / WEB DISC WHEEL / ROUE PLEINE	6.435-072.0	2
14	SCHNELLBEFESTIGER / QUICK-FASTENER / ATTACHE RAPIDE	6.343-137.0	2
16	LENKROLLE / CASTOR / ROUE PIVOTANTE	6.435-116.0	1
17	6KT-SCHR. M 8X 16 / HEXAGONAL HEAD SCREW / VIS HEXAGONAL	7.304-395.0	4
18	6KT-MUTTER M 8 / HEXAGON NUT / ECROU HEXAGONAL	7.311-004.0	4

"=> xxxxxx" = bis Werknummer / up to serial No. / jusqu' au No. de fabr. / "xxxxxx =>" = ab Werknummer / from serial No. / a partir du No. de fabr. /



GRUPPE: 2.0 PUMPENSATZ  
GROUP: 2.0 PUMP SET  
GRUPPE: 2.0 JEU (ENSEMBLE) DE POMPE

**A2**

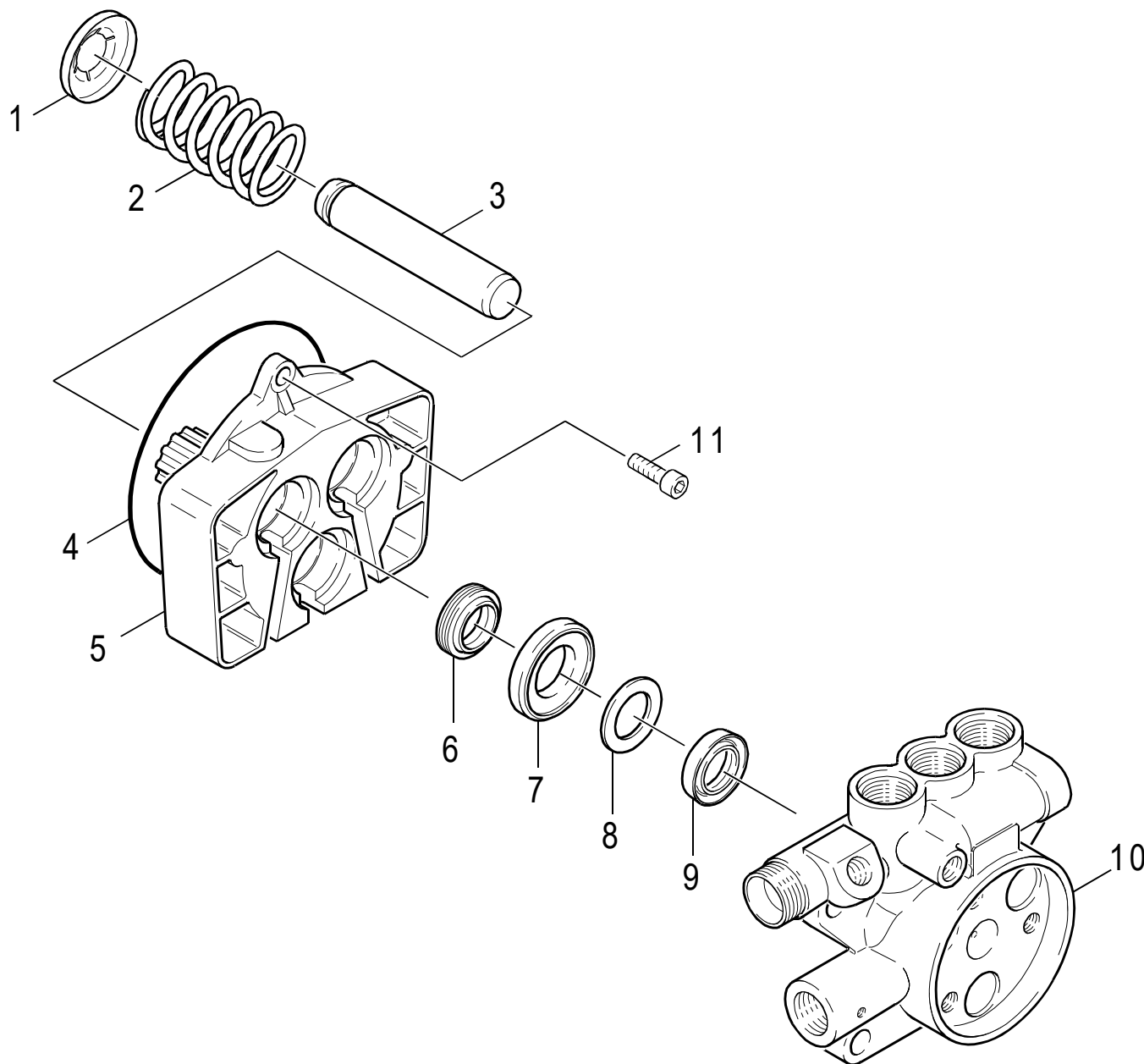
**HDS 600 C**

**GRUPPE: 2.0 PUMPENSATZ**  
**GROUP: 2.0 PUMP SET**  
**GRUPPE: 2.0 JEU (ENSEMBLE) DE POMPE**

GRUPPE: 2.1 KOLBEN  
GROUP: 2.1 PISTON  
GRUPPE: 2.1 PISTON

B2

HDS 600 C



Symbolbeschreibung siehe M16 / symbol description see M16 / désignation de système voir M16 /

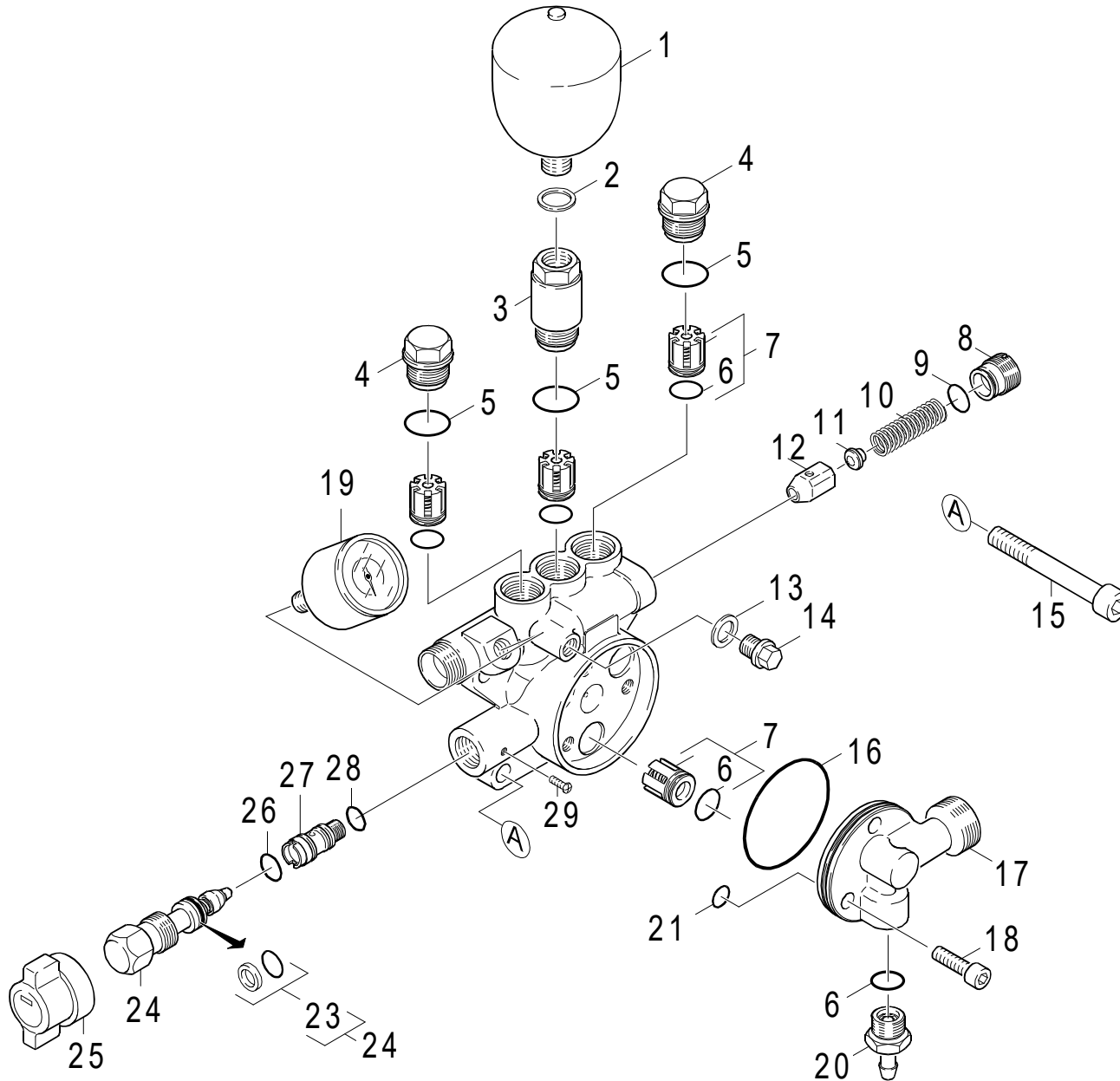
GRUPPE: 2.1 KOLBEN  
GROUP: 2.1 PISTON  
GROUPE: 2.1 PISTON

C2

HDS 600 C

POS. ITM. POS.	BENNENNUNG DESCRIPTION DESIGNATION	TEILE-NR. PART-NO. NO.PIECE	STCK QTY. NBR.
1	FORMTEIL / MOULDED PART / PREFORME	5.030-500.0	3
2	SCHRAUBENFEDER / HELICAL SPRING / RESSORT CYLINDRIQUE	5.332-206.0	3
3	KOLBEN / PISTON / PISTON	5.553-214.0	3
4	O-RING 85,0 X 3,0 / GASKET / BAQUE D'ETANCHEITE	6.362-097.0	1
5	GEHAEUSE / HOUSING / BOITIER	5.060-279.0	1
6	NUTRING 16X24X7 / GROOVED RING / JOINT A LEVRES	6.365-322.0	3
7	SCHEIBE / WASHER / RONDELLE	5.115-418.0	3
8	SCHEIBE / WASHER / RONDELLE	5.115-386.0	3
9	NUTRING 16X24X4,6 / GROOVED RING / JOINT A LEVRES	6.365-321.0	3
10	ZYLINDERKOPF / CYLINDER HEAD / CULASSE	4.550-159.0	1
11	SCHRAUBE M 6X 16 / SCREW / VIS	7.306-090.0	2

"=> xxxxxx" = bis Werknummer / up to serial No. / jusqu' au No. de fabr. / "xxxxxx =>" = ab Werknummer / from serial No. / a partir du No. de fabr. /



Symbolbeschreibung siehe M16 / symbol description see M16 / désignation de système voir M16 /

GRUPPE: 2.2 ZYLINDERKOPF  
GROUP: 2.2 CYLINDER HEAD  
GROUPE: 2.2 CULASSE

E2

HDS 600 C

POS. ITM. POS.	BENNENUNG DESCRIPTION DESIGNATION	TEILE-NR. PART-NO. NO.PIECE	STCK QTY. NBR.
1	DRUCKSPEICHER / PULSATION DAMPER / ANTI-BELIER	6.505-025.0	1
2	DICHTRING 14 X18 / JOINT RING / BAGUE D'ETANCHEITE	7.362-005.0	1
3	VENTILSCHRAUBE / VALVE SCREW / VIS POINTEAU (SOUP.)	5.583-061.0	1
4	VENTILSCHRAUBE / VALVE SCREW / VIS POINTEAU (SOUP.)	5.583-115.0	2
5	O-RING 17,3 X 2,4 / GASKET / BAQUE D'ETANCHEITE	6.362-160.0	3
6	O-RING 13,0 X 2,0 / GASKET / BAQUE D'ETANCHEITE	6.362-381.0	7
7	VENTIL KPL. / VALVE / SOUPAPE	4.580-186.0	6
8	VENTILSCHRAUBE / VALVE SCREW / VIS POINTEAU (SOUP.)	5.583-096.0	1
9	O-RING 12,0 X 2,0 / GASKET / BAQUE D'ETANCHEITE	6.362-169.0	1
10	SCHRAUBENFEDER / HELICAL SPRING / RESSORT CYLINDRIQUE	5.332-140.0	1
11	VENTILBOLZEN / VALVE PIN / BOULON DE SOUPAPE	5.584-060.0	1
12	VENTILTELLER KPL / VALVE DISC / TETE DE SOUPAPE	4.582-007.0	1
13	DICHTRING 10 X13,5 / JOINT RING / BAGUE D'ETANCHEITE	7.362-003.0	1
14	VS-SCHRAUBE M10X1,0 / CLOSING SCREW / VIS DE FERMETURE	7.382-231.0	1
15	ZYL.SCHR. M 8X 60 / CHEESE HEAD SCREW / VIS A TETE CYLINDR.	7.306-047.0	4
16	O-RING 55,0 X 2,0 / GASKET / BAQUE D'ETANCHEITE	6.362-094.0	1
17	GEHAUSEDECKEL / COVER / COUVERCLE	5.063-361.0	1
18	ZYL.SCHR. M 8X 20 / CHEESE HEAD SCREW / VIS A TETE CYLINDR.	6.304-023.0	3
20	VENTIL / VALVE / SOUPAPE	4.580-177.0	1
21	O-RING 9,0 X 1,5 / GASKET / BAQUE D'ETANCHEITE	6.362-384.0	3
23	O-RING 12,42 KOMPL / GASKET / BAQUE D'ETANCHEITE	6.362-575.0	1
24	SPINDEL / SPINDLE / PIVOT	4.291-009.0	1
25	GRIFF / HANDLE / POIGNEE	5.321-263.0	1
26	O-RING 11,0 X 1,3 / GASKET / BAQUE D'ETANCHEITE	6.362-402.0	1
27	HUELSE / SLEEVE / DOUILLE	5.110-419.0	1
28	O-RING 10 X 1,5 / GASKET / BAQUE D'ETANCHEITE	6.362-482.0	1
29	LINSENSCHR. M 4X 6 / OVAL HEAD SCREW / VIS A TETE BOMBEE	7.306-323.0	1
100	PUMPENSET HDS 590 / PUMP SET / GROUPE DE POMPES	2.883-004.0	1

"=> xxxxxx" = bis Werknummer / up to serial No. / jusqu' au No. de fabr. / "xxxxxx =>" = ab Werknummer / from serial No. / a partir du No. de fabr. /

GRUPPE: 3.0 MOTOR // => 025712  
GROUP: 3.0 MOTOR // => 025712  
GRUPPE: 3.0 MOTEUR // => 025712

**A3**

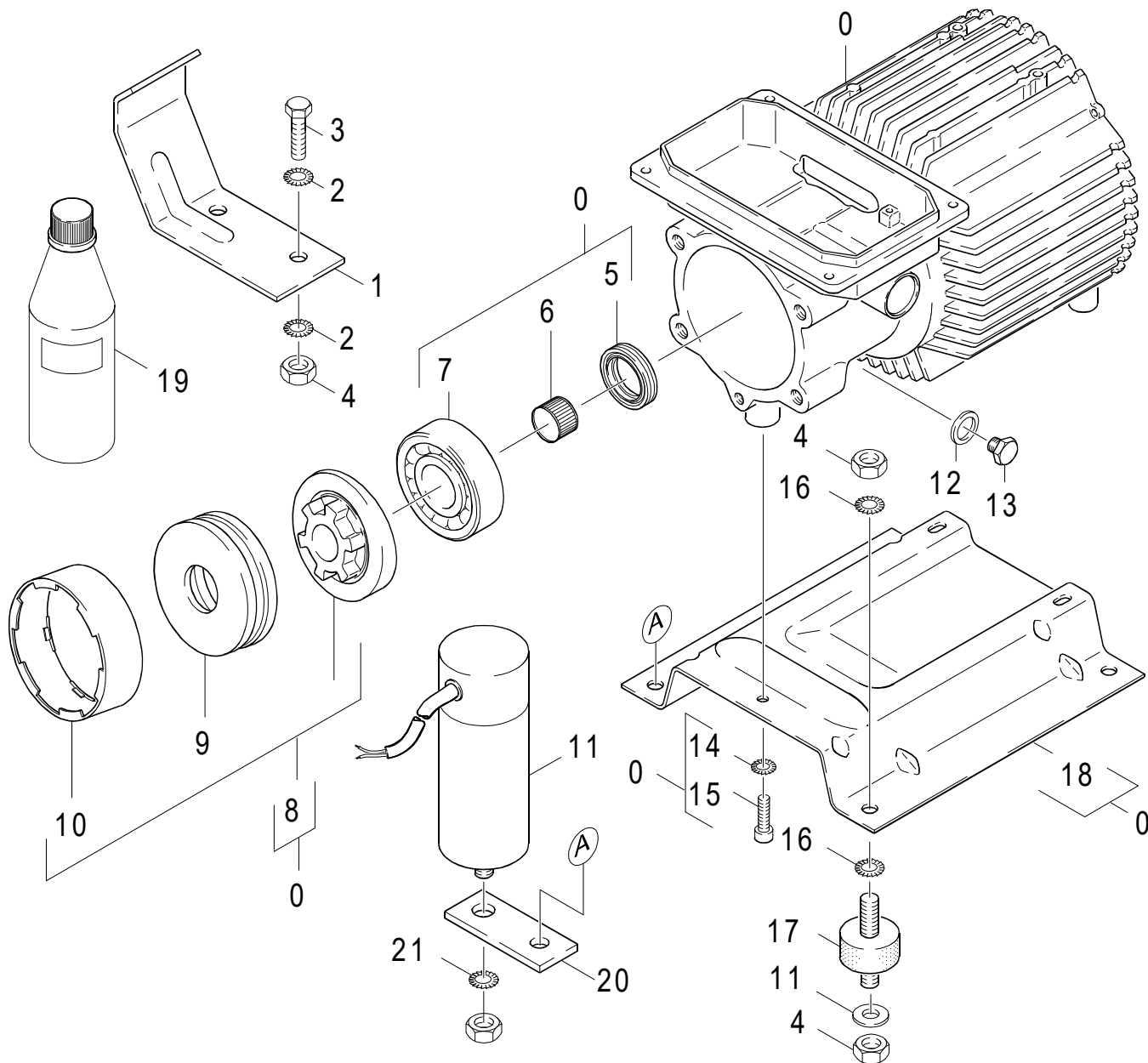
**HDS 600 C**

**GRUPPE: 3.0 MOTOR**  
**GROUP: 3.0 MOTOR**  
**GRUPPE: 3.0 MOTEUR**

GRUPPE: 3.1 MOTOR  
GROUP: 3.1 MOTOR  
GRUPPE: 3.1 MOTEUR

B3

HDS 600 C



Symbolbeschreibung siehe M16 / symbol description see M16 / désignation de système voir M16 /

GRUPPE: 3.1 MOTOR  
GROUP: 3.1 MOTOR  
GROUPE: 3.1 MOTEUR

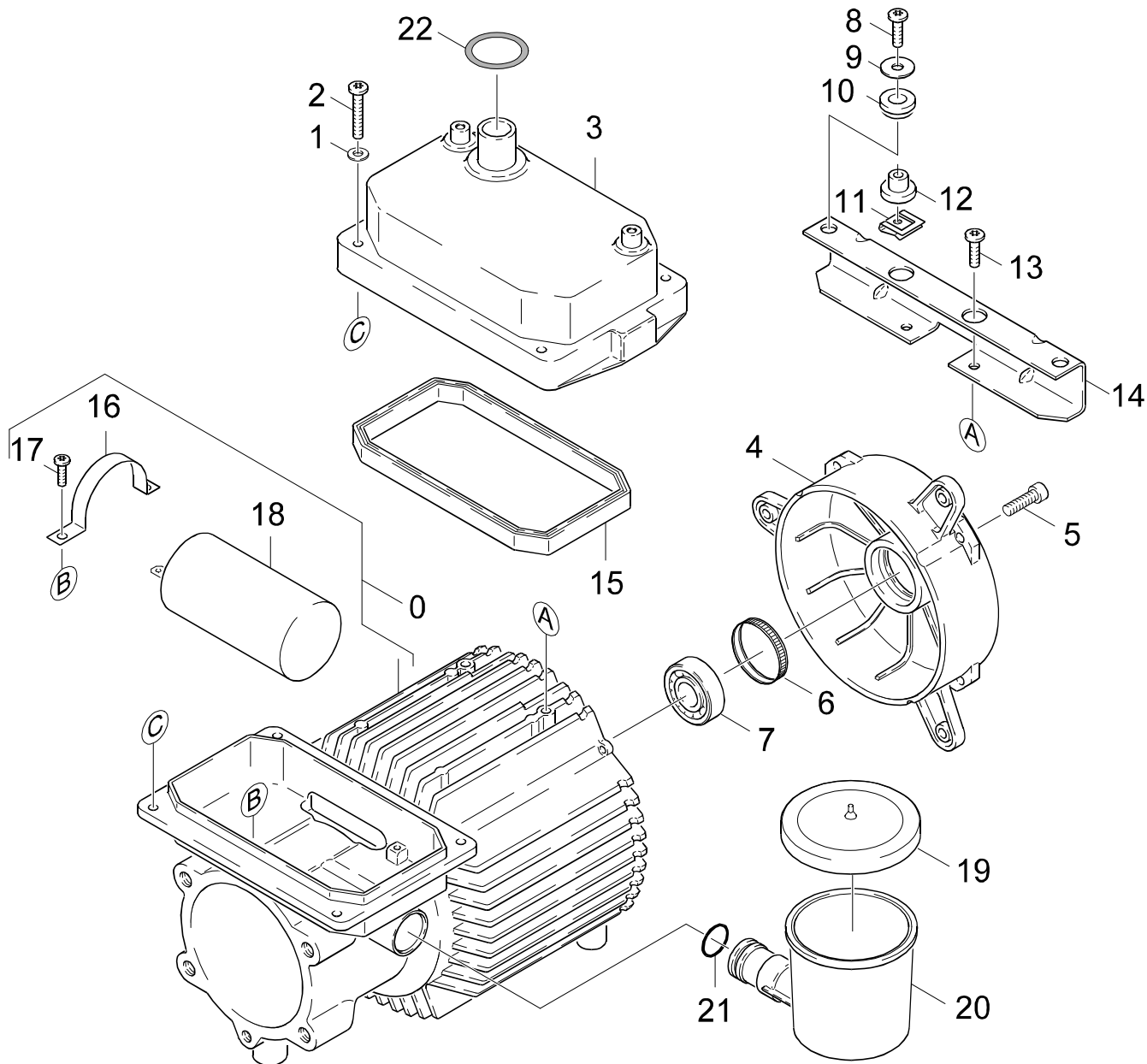
C3

HDS 600 C

POS. ITM. POS.	BENNENUNG DESCRIPTION DESIGNATION	TEILE-NR. PART-NO. NO.PIECE	STCK QTY. NBR.
0	MOTOR KPL.115V,60HZ / MOTOR / MOTEUR	4.623-052.0	1
1	WINKEL / ANGLE / ANGLE	5.018-621.0	1
2	ZAHNSCHEIBE A 8,4 / LOCK WASHER / ROUE PLATE	7.312-166.0	2
3	6KT-SCHR. M 8X 16 / HEXAGONAL HEAD SCREW / VIS HEXAGONAL	7.304-395.0	2
4	6KT-MUTTER M 8 / HEXAGON NUT / ECROU HEXAGONAL	7.311-004.0	10
5	RWDR A25 X 35 X 7 / ROTARY SHAFT SEAL / JOINT (ARBRE)	7.367-008.0	1
6	TOLERANZRING 20X14 / TOLERANCE RING / BAGUE	6.343-016.0	1
7	KUGELLAGER 7305 B / BALL BEARING / ROULEMENT A BILLE	6.401-142.0	1
8	TAUMELSCHLEIBE KPL. / SWASH PLATE / DISQUE EN NUTATION	4.120-116.0	1
9	AXIALRILLENKUGELLA. / AXIAL BALL BEARING / AXIAL ROULEMENT A BILLE	6.401-141.0	1
10	PROFILRING / PROFILE RING / ANNEAU PROFILE	5.015-044.0	1
11	BETRIEBSKONDENSATOR / CAPACITOR / CONDENS. DE SERVICE	6.661-096.0	1
12	DICHTRING 10 X13,5 / JOINT RING / BAGUE D'ETANCHEITE	7.362-003.0	1
13	VS-SCHRAUBE M10X1,0 / CLOSING SCREW / VIS DE FERMETURE	7.382-085.0	1
14	ZAHNSCHEIBE A 5,3 / LOCK WASHER / ROUE PLATE	7.312-172.0	3
15	SCHRAUBE M 5X 16 / SCREW / VIS	7.303-039.0	3
16	ZAHNSCHEIBE A 10,5 / LOCK WASHER / ROUE PLATE	7.312-160.0	3
17	GUMMIPUFFER / RUBBER BUFFER / BUTOIR CAOUTCHOUC	6.339-095.0	4
18	GRUNDPLATTE / BASE PLATE / PLAQUE DE BASE	5.051-016.0	1
19	MOTORENOEL 1L / ENGINE OIL / HUILE (MOTEUR)	6.288-050.0	1
20	LASCHE / RETAINER CLIP / ECLISSE	5.004-505.0	1
21	ZAHNSCHEIBE A 13,0 / LOCK WASHER / ROUE PLATE	7.312-169.0	1

"=> xxxxxx" = bis Werknummer / up to serial No. / jusqu' au No. de fabr. / "xxxxxx =>" = ab Werknummer / from serial No. / a partir du No. de fabr. /





Symbolbeschreibung siehe M16 / symbol description see M16 / désignation de système voir M16 /

GRUPPE: 3.2 MOTOR  
GROUP: 3.2 MOTOR  
GROUPE: 3.2 MOTEUR

E3

HDS 600 C

POS. ITM. POS.	BENNENUNG DESCRIPTION DESIGNATION	TEILE-NR. PART-NO. NO.PIECE	STCK QTY. NBR.
0	MOTOR KPL.115V,60HZ / MOTOR / MOTEUR	4.623-052.0	1
2	SCHRAUBE M 5X 30 / SCREW / VIS	7.303-043.0	4
3	DECKEL MOTOR / COVER / COUVERCLE	5.063-325.0	1
4	DECKEL / COVER / COUVERCLE	5.063-302.0	1
5	SCHNEIDSCHR. M5X 45 / SELF-TAPPING SCREW / VIS AUTOTARAUEUSE	6.303-088.0	4
6	TOLERANZRING 35X6 / TOLERANCE RING / BAGUE	6.343-015.0	1
7	KUGELLAGER 6003-2RS / BALL BEARING / ROULEMENT A BILLE	7.401-105.0	1
8	SCHNEIDSCHR. M5X 25 / SELF-TAPPING SCREW / VIS AUTOTARAUEUSE	6.303-086.0	4
9	SCHEIBE 5 / WASHER / RONDELLE	7.312-264.0	4
10	GUMMIRING / RUBBER RING / RONDELLE CAOUTCHOUC	5.379-013.0	4
11	BLECHMUTTER / NUT / ECROU	6.310-034.0	2
12	HUELSE / SLEEVE / DOUILLE	5.110-357.0	4
13	BL.SCHR. ST4,8X25,0 / SHEET METAL SCREW / VIS A TOLE	6.303-103.0	4
14	U-PROFIL / U-PROFILE / PROFILE EN U	5.057-035.0	1
15	PROFILDICHTUNG / SEAL / ETOUPE PROFILE	5.365-135.0	1
16	SPANNBAND / BANNER / BANDEROLE	5.260-027.0	1
17	SCHRAUBE M 4X 8 / SCREW / VIS	7.303-030.0	2
18	BETRIEBSKONDENSATOR / CAPACITOR / CONDENS. DE SERVICE	6.661-132.0	1
19	DECKEL / COVER / COUVERCLE	5.063-237.0	1
20	BEHAELTER (OEL) / TANK / BAC	5.070-089.0	1
21	O-RING 18,0 X 2,5 / GASKET / BAQUE D'ETANCHEITE	6.362-079.0	1
22	DICHTRING / JOINT RING / BAGUE D'ETANCHEITE	5.363-224.0	1

"=> xxxxxx" = bis Werknummer / up to serial No. / jusqu' au No. de fabr. / "xxxxxx =>" = ab Werknummer / from serial No. / a partir du No. de fabr. /

GRUPPE: 4.0 MOTOR / 25713 =>  
GROUP: 4.0 MOTOR / 25713 =>  
GRUPPE: 4.0 MOTEUR / 25713 =>

**A4**

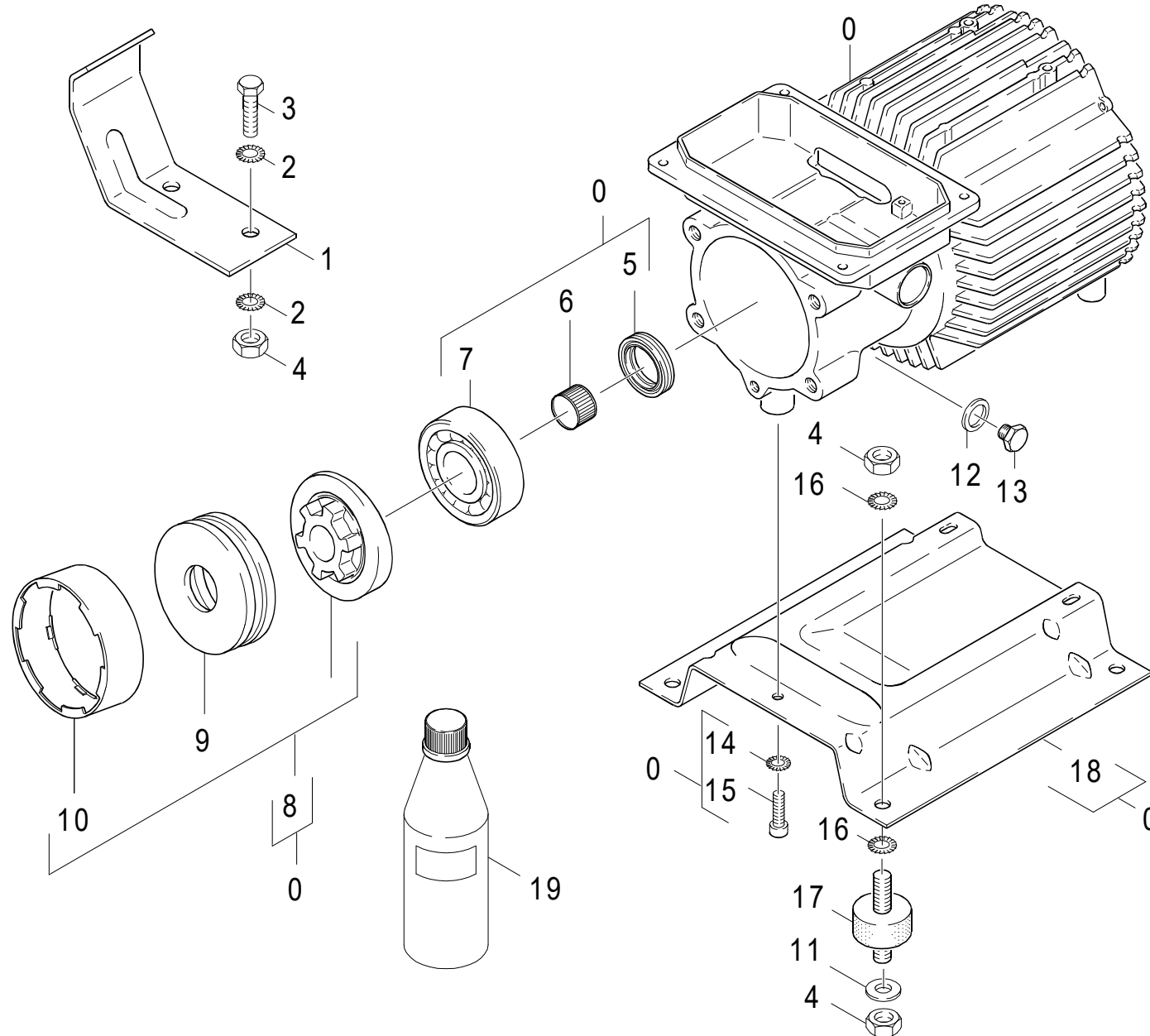
**HDS 600 C**

**GRUPPE: 4.0 MOTOR**  
**GROUP: 4.0 MOTOR**  
**GRUPPE: 4.0 MOTEUR**

GRUPPE: 4.1 MOTOR  
GROUP: 4.1 MOTOR  
GRUPPE: 4.1 MOTEUR

B4

HDS 600 C



Symbolbeschreibung siehe M16 / symbol description see M16 / désignation de système voir M16 /

GRUPPE: 4.1 MOTOR  
GROUP: 4.1 MOTOR  
GROUPE: 4.1 MOTEUR

C4

HDS 600 C

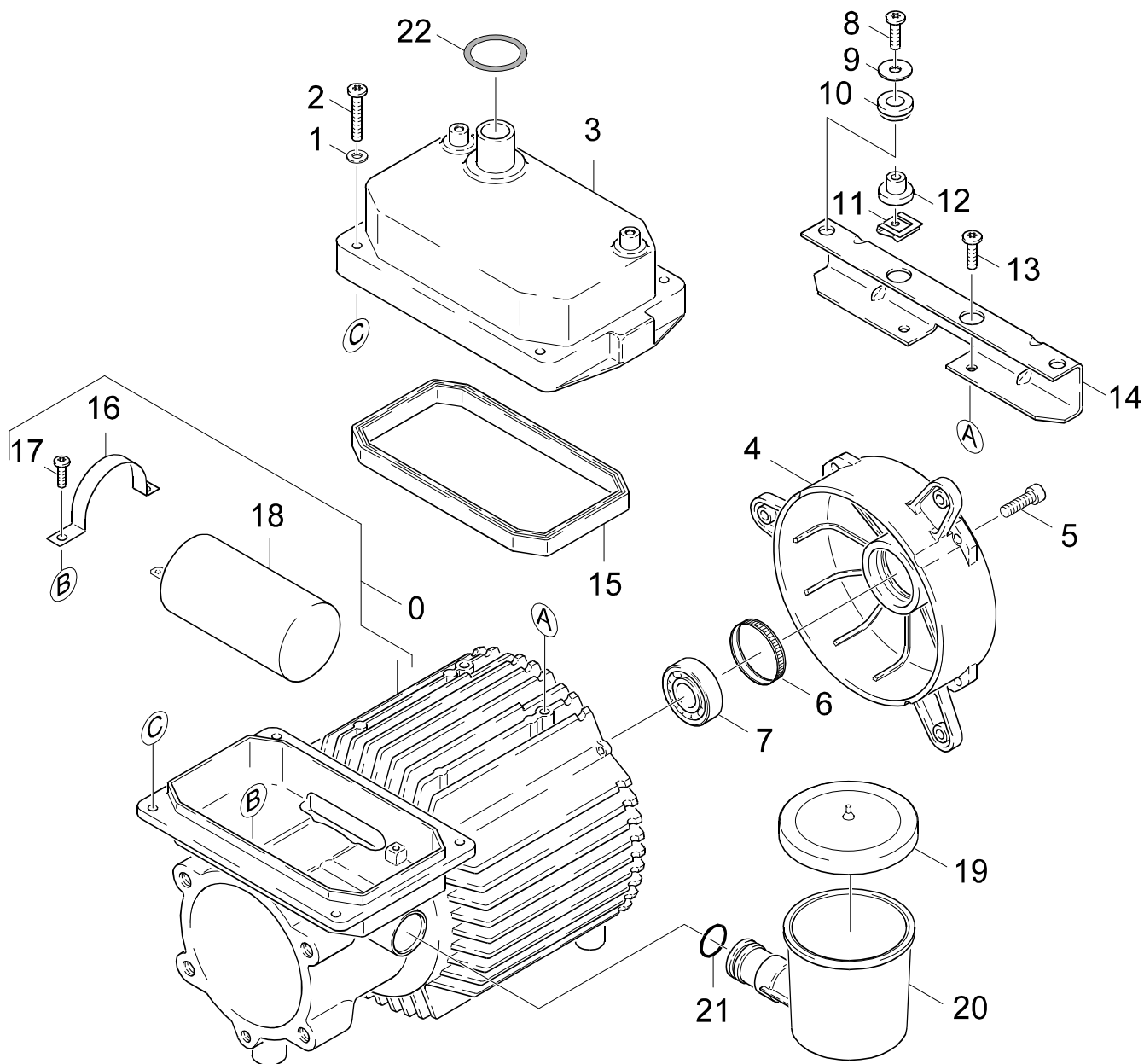
POS. ITM. POS.	BENNENUNG DESCRIPTION DESIGNATION	TEILE-NR. PART-NO. NO.PIECE	STCK QTY. NBR.
0	MOTOR KPL. / MOTOR / MOTEUR	4.623-149.0	1
1	WINKEL / ANGLE / ANGLE	5.018-621.0	1
2	ZAHNSCHEIBE A 8,4 / LOCK WASHER / ROUE PLATE	7.312-166.0	2
3	6KT-SCHR. M 8X 16 / HEXAGONAL HEAD SCREW / VIS HEXAGONAL	7.304-395.0	2
4	6KT-MUTTER M 8 / HEXAGON NUT / ECROU HEXAGONAL	7.311-004.0	10
5	RWDR A25 X 35 X 7 / ROTARY SHAFT SEAL / JOINT (ARBRE)	7.367-008.0	1
6	TOLERANZRING 20X14 / TOLERANCE RING / BAGUE	6.343-016.0	1
7	KUGELLAGER 7305 B / BALL BEARING / ROULEMENT A BILLE	6.401-142.0	1
8	TAUMELSCHIEBE / SWASH PLATE / DISQUE EN NUTATION	4.120-122.0	1
9	AXIALRILLENKUGELLA. / AXIAL BALL BEARING / AXIAL ROULEMENT A BILLE	6.401-141.0	1
10	PROFILRING / PROFILE RING / ANNEAU PROFILE	5.015-044.0	1
12	DICHTRING 10 X13,5 / JOINT RING / BAGUE D'ETANCHEITE	7.362-003.0	1
13	VS-SCHRAUBE M10X1,0 / CLOSING SCREW / VIS DE FERMETURE	7.382-085.0	1
14	ZAHNSCHIEBE A 5,3 / LOCK WASHER / ROUE PLATE	7.312-172.0	3
15	SCHRAUBE M 5X 16 / SCREW / VIS	7.303-039.0	3
16	ZAHNSCHIEBE A 10,5 / LOCK WASHER / ROUE PLATE	7.312-160.0	3
17	GUMMIPUFFER / RUBBER BUFFER / BUTOIR CAOUTCHOUC	6.339-095.0	4
18	GRUNDPLATTE / BASE PLATE / PLAQUE DE BASE	5.051-016.0	1
19	MOTORENOEL 1L / ENGINE OIL / HUILE (MOTEUR)	6.288-050.0	1

"=> xxxxxx" = bis Werknummer / up to serial No. / jusqu' au No. de fabr. / "xxxxxx =>" = ab Werknummer / from serial No. / a partir du No. de fabr. /

GRUPPE: 4.2 MOTOR  
GROUP: 4.2 MOTOR  
GRUPPE: 4.2 MOTEUR

D4

HDS 600 C



Symbolbeschreibung siehe M16 / symbol description see M16 / désignation de système voir M16 /

GRUPPE: 4.2 MOTOR  
GROUP: 4.2 MOTOR  
GROUPE: 4.2 MOTEUR

E4

HDS 600 C

POS. ITM. POS.	BENNENUNG DESCRIPTION DESIGNATION	TEILE-NR. PART-NO. NO.PIECE	STCK QTY. NBR.
0	MOTOR KPL. / MOTOR / MOTEUR	4.623-149.0	1
1	SCHEIBE 5 / WASHER / RONDELLE	7.312-278.0	4
2	SCHRAUBE M 5X 30 / SCREW / VIS	7.303-043.0	4
3	DECKEL MOTOR / COVER / COUVERCLE	5.063-325.0	1
4	DECKEL / COVER / COUVERCLE	5.063-302.0	1
5	SCHNEIDSCHR. M5X 45 / SELF-TAPPING SCREW / VIS AUTOTARAUEUSE	6.303-088.0	4
6	TOLERANZRING 35X6 / TOLERANCE RING / BAGUE	6.343-015.0	1
7	KUGELLAGER 6003-2RS / BALL BEARING / ROULEMENT A BILLE	7.401-105.0	1
8	SCHNEIDSCHR. M5X 25 / SELF-TAPPING SCREW / VIS AUTOTARAUEUSE	6.303-086.0	4
9	SCHEIBE 5 / WASHER / RONDELLE	7.312-264.0	4
10	GUMMIRING / RUBBER RING / RONDELLE CAOUTCHOUC	5.379-013.0	4
11	BLECHMUTTER / NUT / ECROU	6.310-034.0	2
12	HUELSE / SLEEVE / DOUILLE	5.110-357.0	4
13	BL.SCHR. ST4,8X25,0 / SHEET METAL SCREW / VIS A TOLE	6.303-103.0	4
14	U-PROFIL / U-PROFILE / PROFILE EN U	5.057-035.0	1
15	PROFILDICHTUNG / SEAL / ETOUPE PROFILE	5.365-135.0	1
16	SPANNBAND / BANNER / BANDEROLE	5.260-027.0	1
17	SCHRAUBE M 4X 8 / SCREW / VIS	7.303-030.0	2
18	KONDENSATOR 40 MUEF / CAPACITOR / CONDENSATEUR	6.661-158.0	1
19	DECKEL / COVER / COUVERCLE	5.063-237.0	1
20	BEHAELTER (OEL) / TANK / BAC	5.070-089.0	1
21	O-RING 18,0 X 2,5 / GASKET / BAQUE D'ETANCHEITE	6.362-079.0	1
22	DICHTRING / JOINT RING / BAGUE D'ETANCHEITE	5.363-224.0	1

"=> xxxxxx" = bis Werknummer / up to serial No. / jusqu' au No. de fabr. / "xxxxxx =>" = ab Werknummer / from serial No. / a partir du No. de fabr. /

GRUPPE: 5.0 GEBLAESE  
GROUP: 5.0 BLOWER  
GRUPPE: 5.0 VENTILATEUR

**A5**

**HDS 600 C**

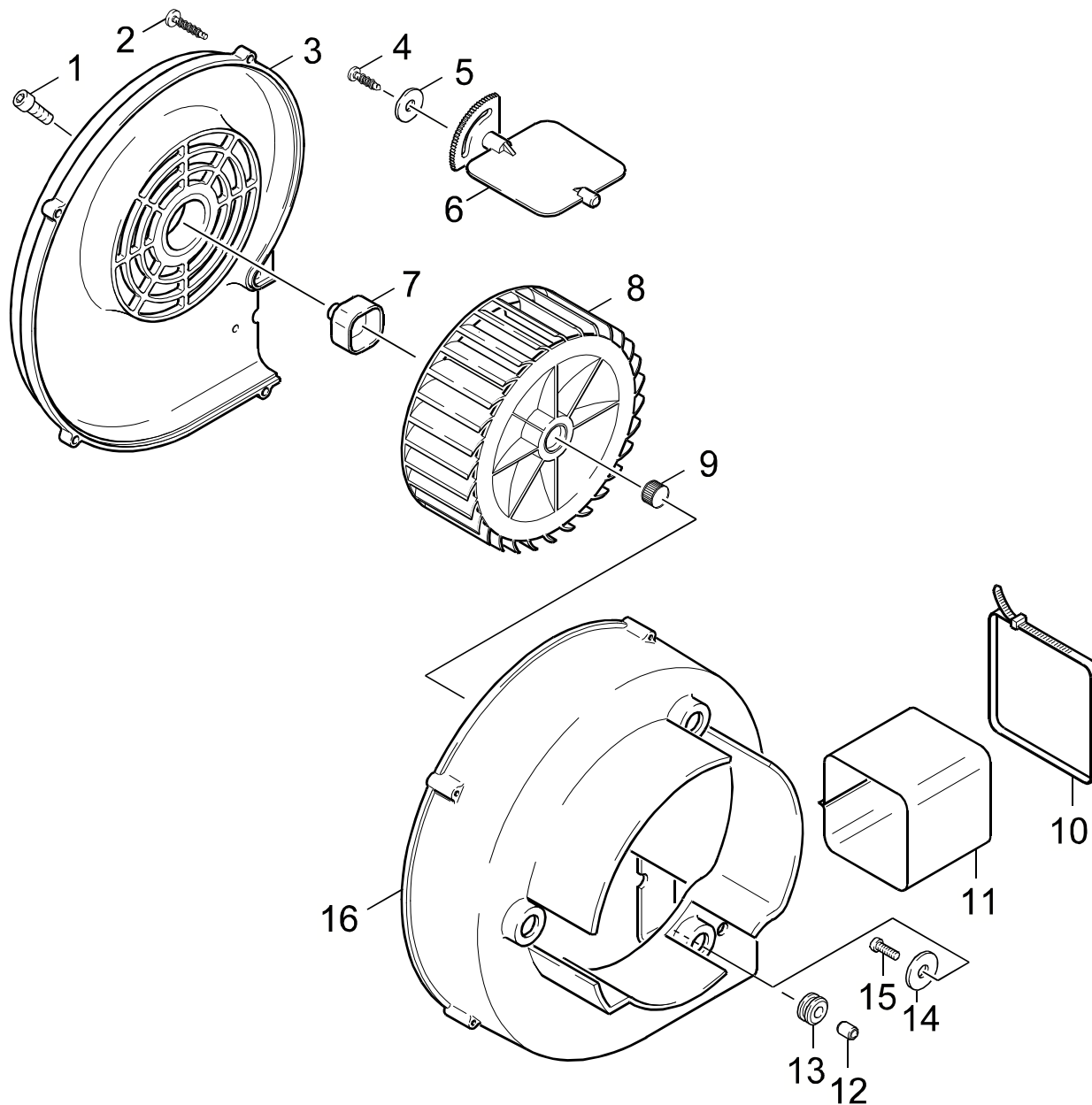
**GRUPPE: 5.0 GEBLAESE**  
**GROUP: 5.0 BLOWER**  
**GRUPPE: 5.0 VENTILATEUR**



GRUPPE: 5.1 GEBLAESE 1 // => 25712  
GROUP: 5.1 BLOWER // => 25712  
GRUPPE: 5.1 VENTILATEUR // => 25712

B5

HDS 600 C



Symbolbeschreibung siehe M16 / symbol description see M16 / désignation de système voir M16 /

GRUPPE: 5.1 GEBLAESE 1 / => 25712  
GROUP: 5.1 BLOWER / / => 25712  
GROUPE: 5.1 VENTILATEUR / / => 25712

C5

HDS 600 C

POS.	BENNENUNG	TEILE-NR.	STCK
ITM.	DESCRIPTION	PART-NO.	QTY.
POS.	DESIGNATION	NO.PIECE	NBR.
1	SCHRAUBE M 6X 16 / SCREW / VIS	7.306-090.0	1
2	LINSENSCHR. 4,0X25 / OVAL HEAD SCREW / VIS A TETE BOMBEE	6.303-089.0	5
3	DECKEL / COVER / COUVERCLE	5.063-274.0	1
4	BL.SCHR. ST4,8X16 / SHEET METAL SCREW / VIS A TOLE	7.303-077.0	1
5	SCHEIBE 5 / WASHER / RONDELLE	7.312-278.0	1
6	LUFTKLAPPE / AIR FLAP / VOLET D'ADMIS.D'AIR	5.606-002.0	1
7	KUPPLUNGSTEIL / COUPLING ELEMENT / PIECE D'ACCOUPL.	5.471-060.0	1
8	LAUFRAD / FAN WHEEL / ROUE DE VENTILATEUR	5.600-021.0	1
9	TOLERANZRING D14X8 / TOLERANCE RING / BAGUE	6.343-166.0	1
10	SPANNBAND / BANNER / BANDEROLE	6.388-608.0	2
11	TUCHMANSCHETTE / CLOTH COLLAR / MANCHETTE	5.178-023.0	1
12	HUELSE / SLEEVE / DOUILLE	5.110-306.0	3
13	GUMMIRING / RUBBER RING / RONDELLE CAOUTCHOUC	5.379-011.0	3
14	SCHEIBE 5 / WASHER / RONDELLE	7.312-264.0	3
15	SCHNEIDSCHR. M5X 20 / SELF-TAPPING SCREW / VIS AUTOTARAUDEUSE	6.303-076.0	3
16	GEHAEUSE / HOUSING / BOITIER	5.605-119.0	1

"=> xxxxxx" = bis Werknummer / up to serial No. / jusqu' au No. de fabr. / "xxxxxx =>" = ab Werknummer / from serial No. / a partir du No. de fabr. /



GRUPPE: 5.1 BRENNSTOFFPUMPE  
GROUP: 5.1 FUEL PUMP  
GROUPE: 5.1 POMPE DE COMBUSTIBLE

E5

HDS 600 C

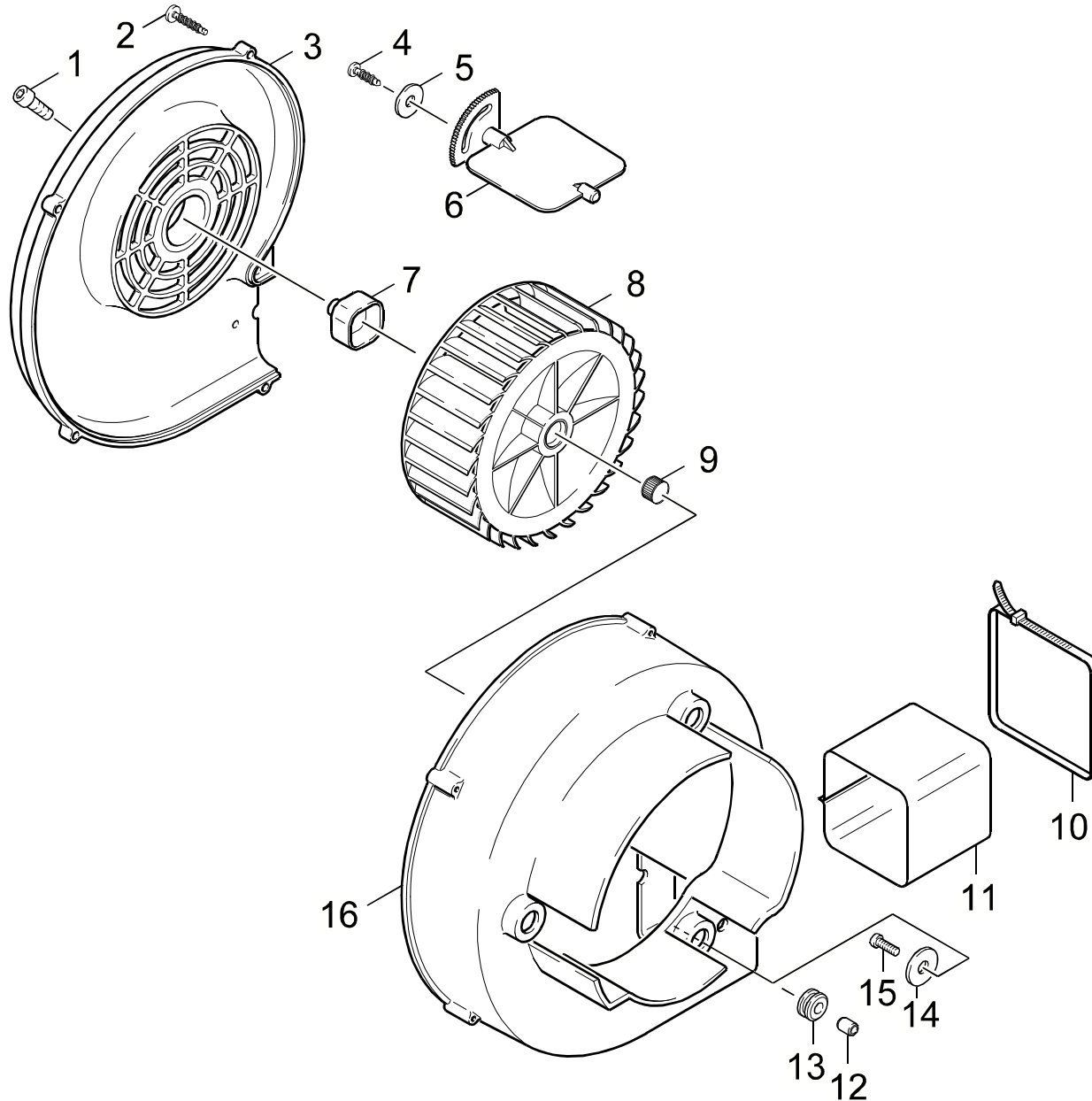
POS. ITM. POS.	BENNENUN G DESCRIPTION DESIGNATION	TEILE-NR. PART-NO. NO.PIECE	STCK QTY. NBR.
0	BRENNSTOFFPUMPE / FUEL PUMP / POMPE DE COMBUSTIBLE	6.472-925.0	1
1	ENTLUEFTUNGSSCHR. / VENT SCREW / VIS D'AIR	6.472-107.0	1
2	O-RING 5,0 X 1,8 / GASKET / BAQUE D'ETANCHEITE	6.472-106.0	1
3	O-RING 32,0 X 1,6 / GASKET / BAQUE D'ETANCHEITE	6.472-111.0	1
4	O-RING 10,0 X 2,4 / GASKET / BAQUE D'ETANCHEITE	6.472-112.0	1
5	FILTEREINSATZ / FILTER CARTRIDGE / CARTOUCHE FILTRANTE	6.472-113.0	1
6	FILTERGEHAEUSE KPL. / FILTER CASE / BATI DE FILTRE	6.472-123.0	1
7	SCHUTZKAPPE / PROTECTIVE CAP / CAPOT PROTECTION	6.472-122.0	1
8	FEDERGEHAEUSE / SPRING HOUSING / BARILLET	6.472-109.0	1
10	STIFT / PIN / CHEVILLE	6.472-108.0	1
12	MEMBRANE / DIAPHRAGM / MEMBRANE	6.472-128.0	1
14	RAENDELMUTTER / KNURLED NUT / ECROU MOLETE	6.472-340.0	1
17	O-RING 12,0 X 1,5 / GASKET / BAQUE D'ETANCHEITE	6.472-125.0	1
18	MAGNETVENTIL / SOLENOID VALVE / ELECTROVANNE	6.472-411.0	1
19	O-RING 28,5 X 1,6 / GASKET / BAQUE D'ETANCHEITE	6.472-120.0	1
22	ACHSENDICHTUNG / SHAFT SEAL / ETOUPAGE D'ESSIEU	6.472-105.0	1

"=> xxxxxx" = bis Werknummer / up to serial No. / jusqu' au No. de fabr. / "xxxxxx =>" = ab Werknummer / from serial No. / a partir du No. de fabr. /

GRUPPE: 5.2 GEBLAESE 2 / 25713 =>  
GROUP: 5.2 BLOWER / 25713 =>  
GRUPPE: 5.2 VENTILATEUR / 25713 =>

F5

HDS 600 C



Symbolbeschreibung siehe M16 / symbol description see M16 / désignation de système voir M16 /

GRUPPE: 5.2 GEBLAESE 2 / 25713 =>  
GROUP: 5.2 BLOWER / 25713 =>  
GRUPPE: 5.2 VENTILATEUR / 25713 =>

G5

HDS 600 C

POS. ITM. POS.	BENNENUNG DESCRIPTION DESIGNATION	TEILE-NR. PART-NO. NO.PIECE	STCK QTY. NBR.
1	SCHRAUBE M 6X 16 / SCREW / VIS	7.306-090.0	1
2	LINSENSCHR. 4,0X25 / OVAL HEAD SCREW / VIS A TETE BOMBEE	6.303-089.0	5
3	DECKEL / COVER / COUVERCLE	5.063-274.0	1
4	BL.SCHR. ST4,8X16 / SHEET METAL SCREW / VIS A TOLE	7.303-077.0	1
5	SCHEIBE 5 / WASHER / RONDELLE	7.312-278.0	1
6	LUFTKLAPPE / AIR FLAP / VOLET D'ADMIS.D'AIR	5.606-002.0	1
7	KUPPLUNGSTEIL / COUPLING ELEMENT / PIECE D'ACCOUPL.	5.471-060.0	1
8	LAUFRAD / FAN WHEEL / ROUE DE VENTILATEUR	5.600-021.0	1
9	TOLERANZRING D14X8 / TOLERANCE RING / BAGUE	6.343-166.0	1
10	SPANNBAND / BANNER / BANDEROLE	6.388-608.0	2
11	TUCHMANSCHETTE / CLOTH COLLAR / MANCHETTE	5.178-023.0	1
12	HUELSE / SLEEVE / DOUILLE	5.110-306.0	3
13	GUMMIRING / RUBBER RING / RONDELLE CAOUTCHOUC	5.379-011.0	3
14	SCHEIBE 5 / WASHER / RONDELLE	7.312-264.0	3
15	SCHNEIDSCHR. M5X 20 / SELF-TAPPING SCREW / VIS AUTOTARAUDEUSE	6.303-076.0	3
16	GEHAEUSE / HOUSING / BOITIER	5.605-119.0	1

"=> xxxxxx" = bis Werknummer / up to serial No. / jusqu' au No. de fabr. / "xxxxxx =>" = ab Werknummer / from serial No. / a partir du No. de fabr. /



GRUPPE: 5.2 BRENNSTOFFSYSTEM  
GROUP: 5.2 FUEL SYSTEM  
GRUPPE: 5.2 SYSTEME DE COMBUSTIBLE

15

HDS 600 C

POS. ITM. POS.	BENNENNUNG DESCRIPTION DESIGNATION	TEILE-NR. PART-NO. NO.PIECE	STCK QTY. NBR.
1	UE-MUTTER A 4-LL / UNION NUT / ECROU RACOURD	6.389-262.0	1
2	SCHNEIDRING D.4 / CUTTING RING / BAGUE COUPANTE	6.389-263.0	1
3	SCHRAUBSTUTZEN / SCREW UNION / RACCORD FILETE	6.389-261.0	1
4	STUTZEN 6-L1/8NPT / CONNECTION PIECE / TUBULURE	6.386-181.0	2
5	HD-SCHLAUCH / HIGH PRESSURE HOSE / TUYAU FLEXIBLE HAUTE PRE.	6.389-160.0	2
6	SCHLAUCH 6X1 / HOSE / TUYAU FLEXIBLE	6.389-159.0	2
7	SCHLAUCHLEITUNG / HOSE ASSEMBLY / CONDUITE	6.389-165.0	1
8	SCHLAUCHLEITUNG / HOSE ASSEMBLY / CONDUITE	6.389-089.0	1
9	PROFILDICHTUNG / SEAL / ETOUPE PROFILE	5.365-145.0	2
10	HALTER / BRACKET / FIXATION	5.042-432.0	1
11	LEITUNGSROHR / PIPE / TUBE CONDUCTEUR	5.423-098.0	1

"=> xxxxxx" = bis Werknummer / up to serial No. / jusqu' au No. de fabr. / "xxxxxx =>" = ab Werknummer / from serial No. / a partir du No. de fabr. /



GRUPPE: 6.0 BRENNSTOFFPUMPE  
GROUP: 6.0 FUEL PUMP  
GRUPPE: 6.0 POMPE DE COMBUSTIBLE

**A6**

**HDS 600 C**

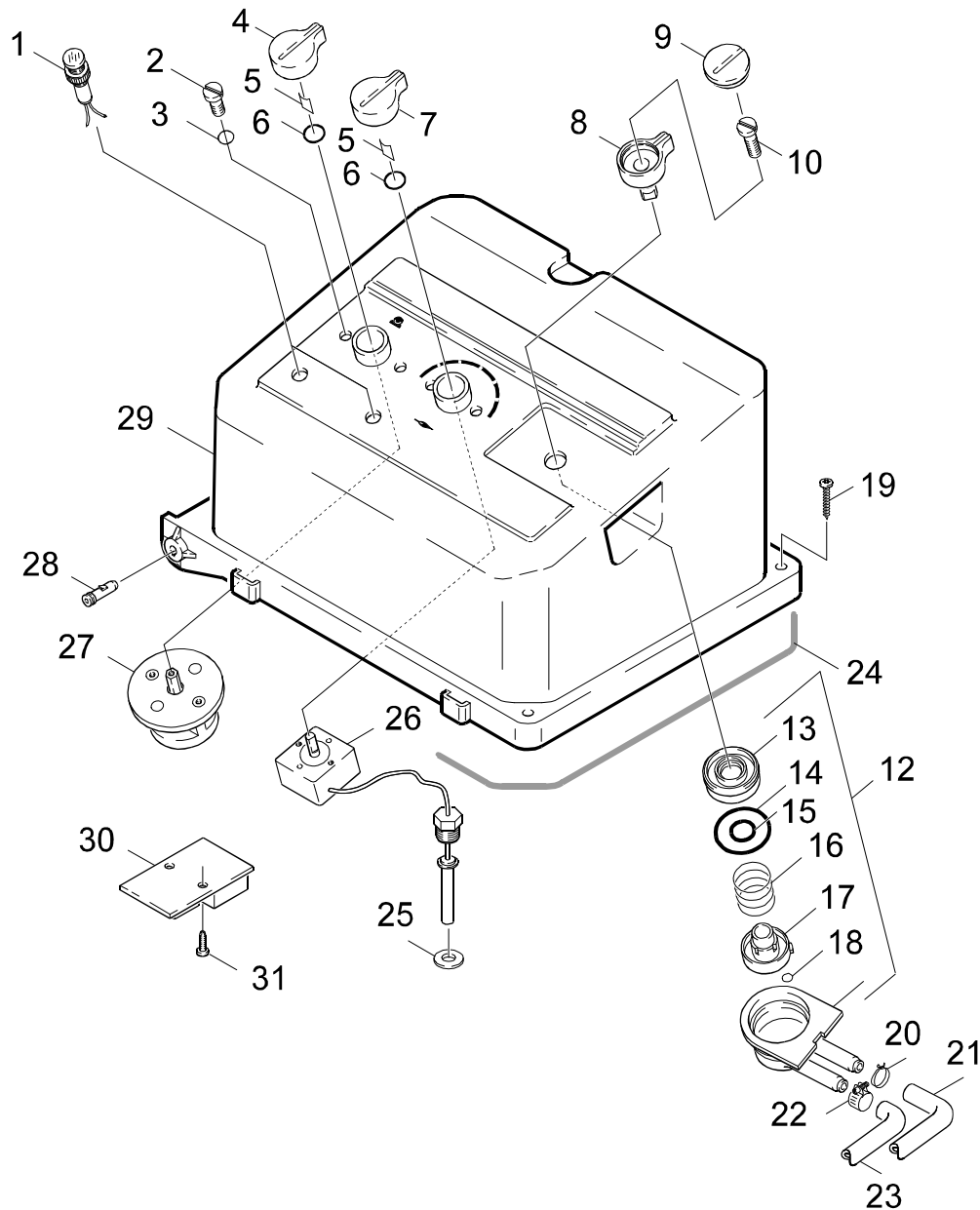
**GRUPPE: 6.0 BRENNSTOFFPUMPE**  
**GROUP: 6.0 FUEL PUMP**  
**GRUPPE: 6.0 POMPE DE COMBUSTIBLE**

GRUPPE: 7.0 E-GERAETESCHRANK / 25712 /  
GROUP: 7.0 ELECTRIC CONTROL BOX / 25712 /  
GRUPPE: 7.0 COFFRET ELECTRIQUE / 25712 /

**A7**

**HDS 600 C**

**GRUPPE: 7.0 E-GERAETESCHRANK**  
**GROUP: 7.0 ELECTRIC CONTROL BOX**  
**GRUPPE: 7.0 COFFRET ELECTRIQUE**



Symbolbeschreibung siehe M16 / symbol description see M16 / désignation de système voir M16 /

GRUPPE: 7.1 HAUBE  
GROUP: 7.1 COVER  
GROUPE: 7.1 CAPOT

C7

HDS 600 C

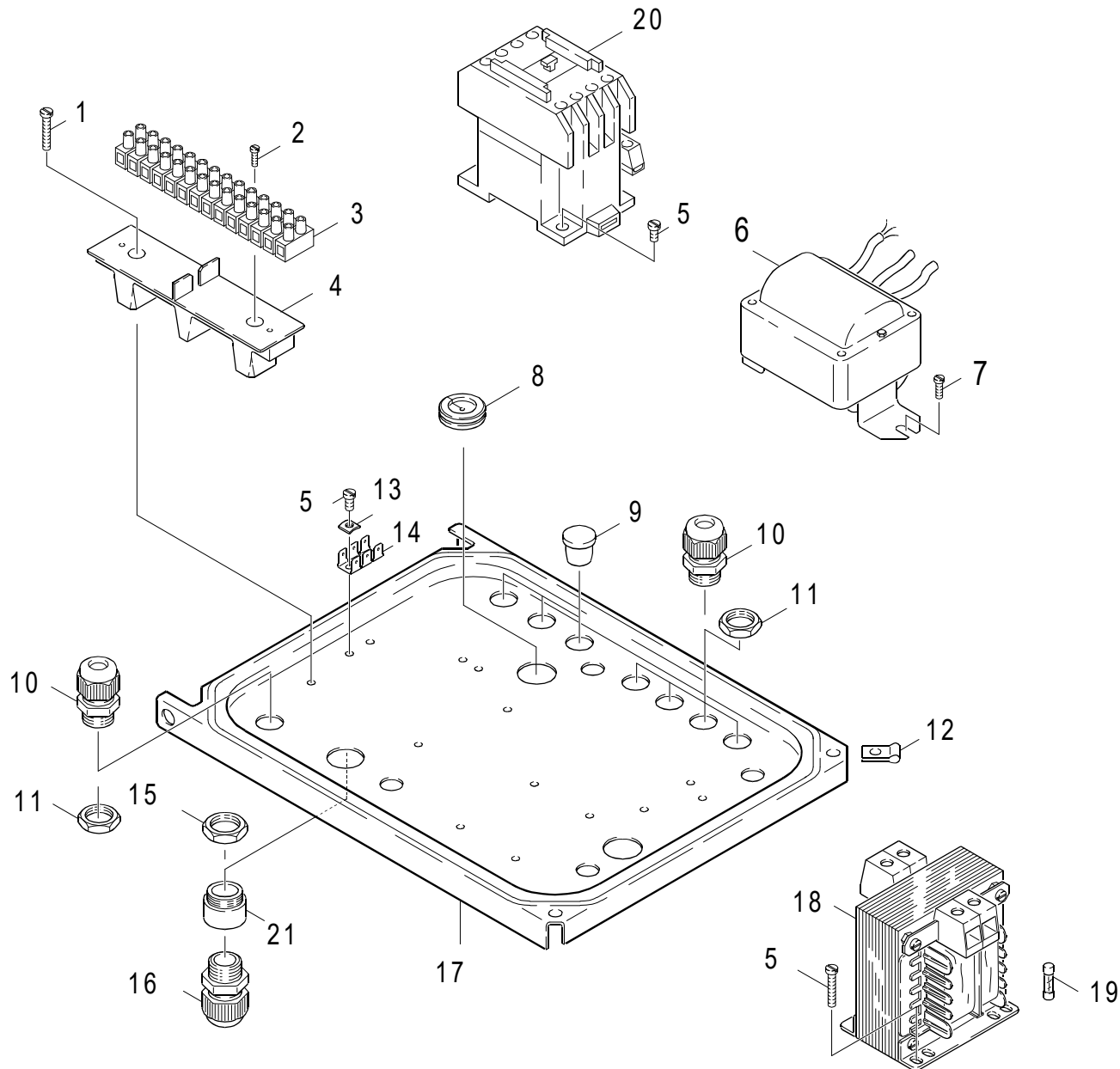
POS. ITM. POS.	BENNENUNG DESCRIPTION DESIGNATION	TEILE-NR. PART-NO. NO.PIECE	STCK QTY. NBR.
1	SIGNALLEUCHE ROT / PILOT LAMP / LAMPE TEMOIN	6.651-184.0	2
2	ZYL.SCHR. M 4X 10 / CHEESE HEAD SCREW / VIS A TETE CYLINDR.	7.306-513.0	4
3	DICHTRING / JOINT RING / BAGUE D'ETANCHEITE	5.363-225.0	4
4	GRIFF / HANDLE / POIGNEE	5.321-183.0	1
5	KLEMMFEDER / SPRING / RESSORT DE FRICTION	6.313-014.0	2
6	O-RING 13,3 X 2,4 / GASKET / BAQUE D'ETANCHEITE	6.362-078.0	2
7	GRIFF / HANDLE / POIGNEE	5.321-182.0	1
8	GRIFF / HANDLE / POIGNEE	5.321-279.0	1
9	STOPFEN / PLUG / BOUCHON	5.132-063.0	1
10	BL.SCHR. ST3,5X25 / SHEET METAL SCREW / VIS A TOLE	7.303-065.0	1
12	ERSATZTEILSET / SPARE PARTS KIT / KIT DE PIECES	2.883-091.0	1
13	DECKEL / COVER / COUVERCLE	5.063-353.0	1
14	O-RING 32,0 X 2,5 / GASKET / BAQUE D'ETANCHEITE	6.362-085.0	1
15	O-RING 12,5 X 2,5 / GASKET / BAQUE D'ETANCHEITE	6.362-515.0	1
16	SCHRAUBENFEDER / HELICAL SPRING / RESSORT CYLINDRIQUE	5.332-236.0	1
17	VENTILSITZ / VALVE SEAT / SIEGE DE SOUPAPE	5.581-121.0	1
18	O-RING 5 X 1,5 / GASKET / BAQUE D'ETANCHEITE	6.362-386.0	1
19	BL.SCHR. ST4,8X19 / SHEET METAL SCREW / VIS A TOLE	7.303-078.0	2
20	SCHLAUCHSCHELLE / HOSE BAND CLIP / COLLIER DE SERRAGE	6.388-559.0	1
21	SCHLAUCH DN 7 / HOSE / TUYAU FLEXIBLE	6.388-225.0	3
	<b>ALS METERWARE BESTELLEN/TO ORDER AS CUT GOODS/COMMANDE COMME MARCHANDISE AU METRE</b>		
22	SCHLAUCHSCHELLE / HOSE BAND CLIP / COLLIER DE SERRAGE	6.388-515.0	1
23	SCHLAUCH DN 7 / HOSE / TUYAU FLEXIBLE	6.388-194.0	2
	<b>ALS METERWARE BESTELLEN/TO ORDER AS CUT GOODS/COMMANDE COMME MARCHANDISE AU METRE</b>		
24	MOOSGUMMISCHNUR / CELLULAR RUBBER CORD / CORDON EN CAOUTCHOUC CELL	6.273-082.0	1
25	SCHEIBE / WASHER / RONDELLE	5.115-375.0	1
26	TEMPERATURREGLER / THERMOSTAT / THERMOSTAT	6.685-868.0	1
27	GERAETESCHALTER / SWITCH / INTERRUPTEUR	6.631-197.0	1
28	BOLZEN / BOLT / BOULON	5.316-223.0	2
29	HAUBE / COVER / CAPOT	5.066-403.0	1
30	IMPULSGEBER / PULSE GENERATOR / CONTACTEUR	6.633-372.0	1
31	LINSENSCHR. 3,5X9,5 / OVAL HEAD SCREW / VIS A TETE BOMBEE	6.303-022.0	2

"=> xxxxxx" = bis Werknummer / up to serial No. / jusqu' au No. de fabr. / "xxxxxx =>" = ab Werknummer / from serial No. / a partir du No. de fabr. /

GRUPPE: 7.2 UNTERTEIL  
GROUP: 7.2 BOTTOM  
GRUPPE: 7.2 PARTIE INFÉRIEURE

D7

HDS 600 C



Symbolbeschreibung siehe M16 / symbol description see M16 / désignation de système voir M16 /

GRUPPE: 7.2 UNTERTEIL  
GROUP: 7.2 BOTTOM  
GROUPE: 7.2 PARTIE INFERIEURE

E7

HDS 600 C

POS. ITM. POS.	BENNENNUNG DESCRIPTION DESIGNATION	TEILE-NR. PART-NO. NO.PIECE	STCK QTY. NBR.
1	SCHRAUBE M 4X 16 / SCREW / VIS	7.303-033.0	4
2	BL.SCHR. ST3,5X19 / SHEET METAL SCREW / VIS A TOLE	7.303-064.0	2
3	KLEMMLEISTE / STRIP TERMINAL / BORNE PLATE	6.643-249.0	1
4	AUFLAGER / SUPPORT / SUPPORT	5.057-036.0	1
5	SCHNEIDSCHR. M4X 8 / SELF-TAPPING SCREW / VIS AUTOTARAUEUSE	6.303-017.0	4
6	ZUENDTRAFO ET-SATZ / TRANSFORMER / TRANSFORMATEUR	2.883-464.0	1
7	SCHRAUBE M 5X 8 / SCREW / VIS	7.303-036.0	2
8	PROFILDICHTUNG / SEAL / ETOUPE PROFILE	5.365-109.0	1
9	VERSCHLUSSTOPFEN / DRAIN PLUG / BOUCHON	6.368-064.0	4
10	KABELVERSCHR. PG 9 / CABLE CONNECTOR / RACCORD DE CABLES	6.641-355.0	6
11	GEGENMUTTER PG 9 / COUNTERNUT / CONTRE-ECROU	6.641-366.0	6
12	BLECHMUTTER / NUT / ECROU	6.310-034.0	2
13	KLEMMSCHEIBE 4 / CLAMPIUNG DISC / DISQUE DE SERRAGE	6.641-804.0	1
14	FLACHSTECKER / PLUG / FICHE PLATE	6.641-270.0	1
15	GEGENMUTTER PG13.5 / COUNTERNUT / CONTRE-ECROU	6.641-480.0	1
16	KABELVERSCHR. PG21 / CABLE CONNECTOR / RACCORD DE CABLES	6.641-448.0	1
17	MONTAGEPLATTE / ASSEMBLY PLATE / PLAQUE DE MONTAGE	5.801-110.0	1
18	STEP DOWN TRANSFORM / STEP DOWN TRANSFORM / STEP DOWN TRANSFORM	6.622-172.0	1
19	G-SCHMELZEINSATZ / CARTRIDGE / BOUCHON FUSIBLE	6.644-052.0	1
20	SCHUETZ / CONTACTOR / CONTACTEUR	6.632-356.0	1
21	ERWEITERUNGSSTUECK / ADAPTOR / PIECE DE EXTENSION	6.641-612.0	1

"=> xxxxxx" = bis Werknummer / up to serial No. / jusqu' au No. de fabr. / "xxxxxx =>" = ab Werknummer / from serial No. / a partir du No. de fabr. /

GRUPPE: 8.0 E-GERAETESCHRANK / 25713 /  
GROUP: 8.0 ELECTRIC CONTROL BOX / 25713 /  
GRUPPE: 8.0 COFFRET ELECTRIQUE / 25713 /

**A8**

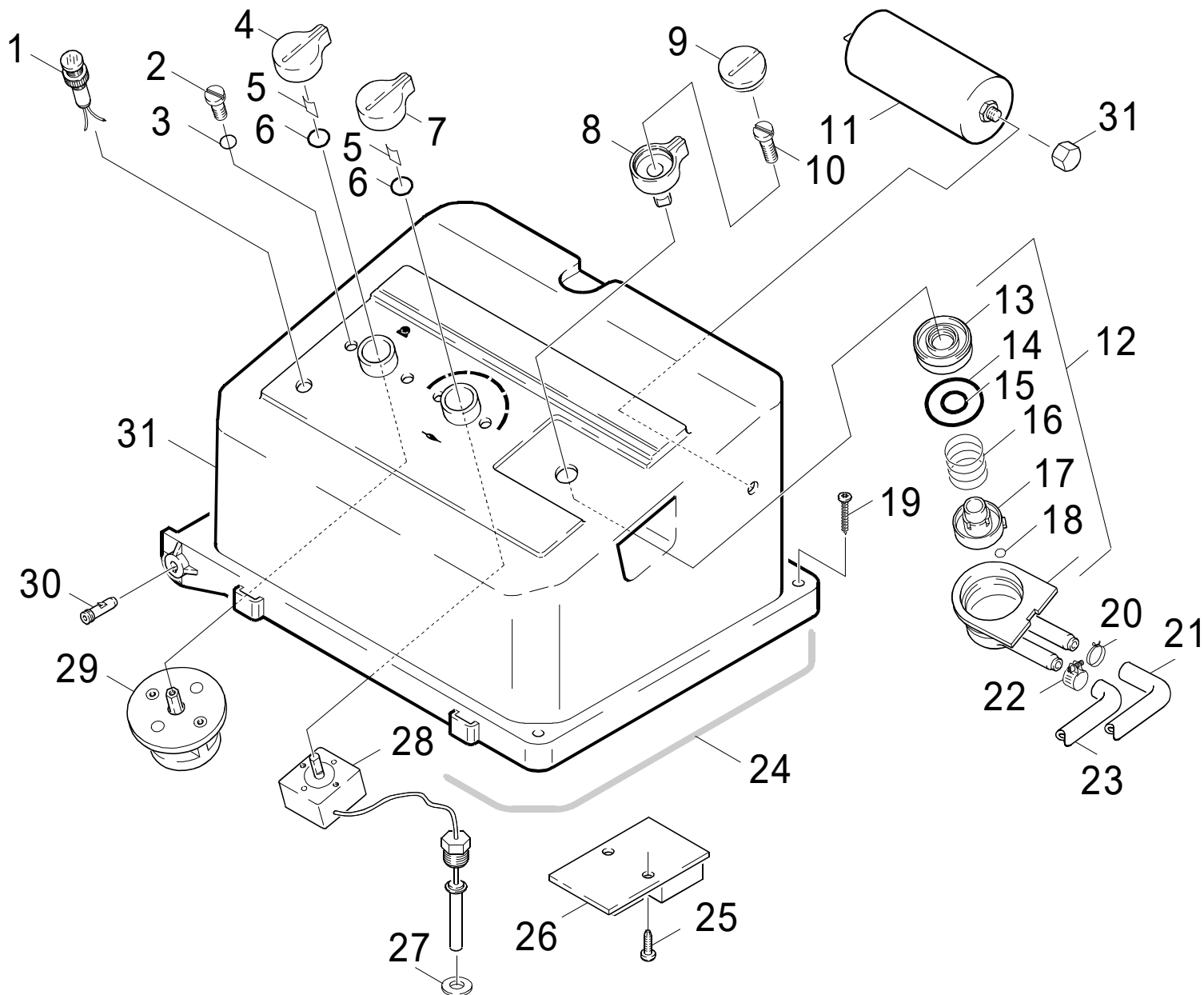
**HDS 600 C**

**GRUPPE: 8.0 E-GERAETESCHRANK**  
**GROUP: 8.0 ELECTRIC CONTROL BOX**  
**GRUPPE: 8.0 COFFRET ELECTRIQUE**

GRUPPE: 8.1 HAUBE  
GROUP: 8.1 COVER  
GRUPPE: 8.1 CAPOT

B8

HDS 600 C



Symbolbeschreibung siehe M16 / symbol description see M16 / désignation de système voir M16 /



GRUPPE: 8.1 HAUBE  
 GROUP: 8.1 COVER  
 GROUPE: 8.1 CAPOT

C8

HDS 600 C

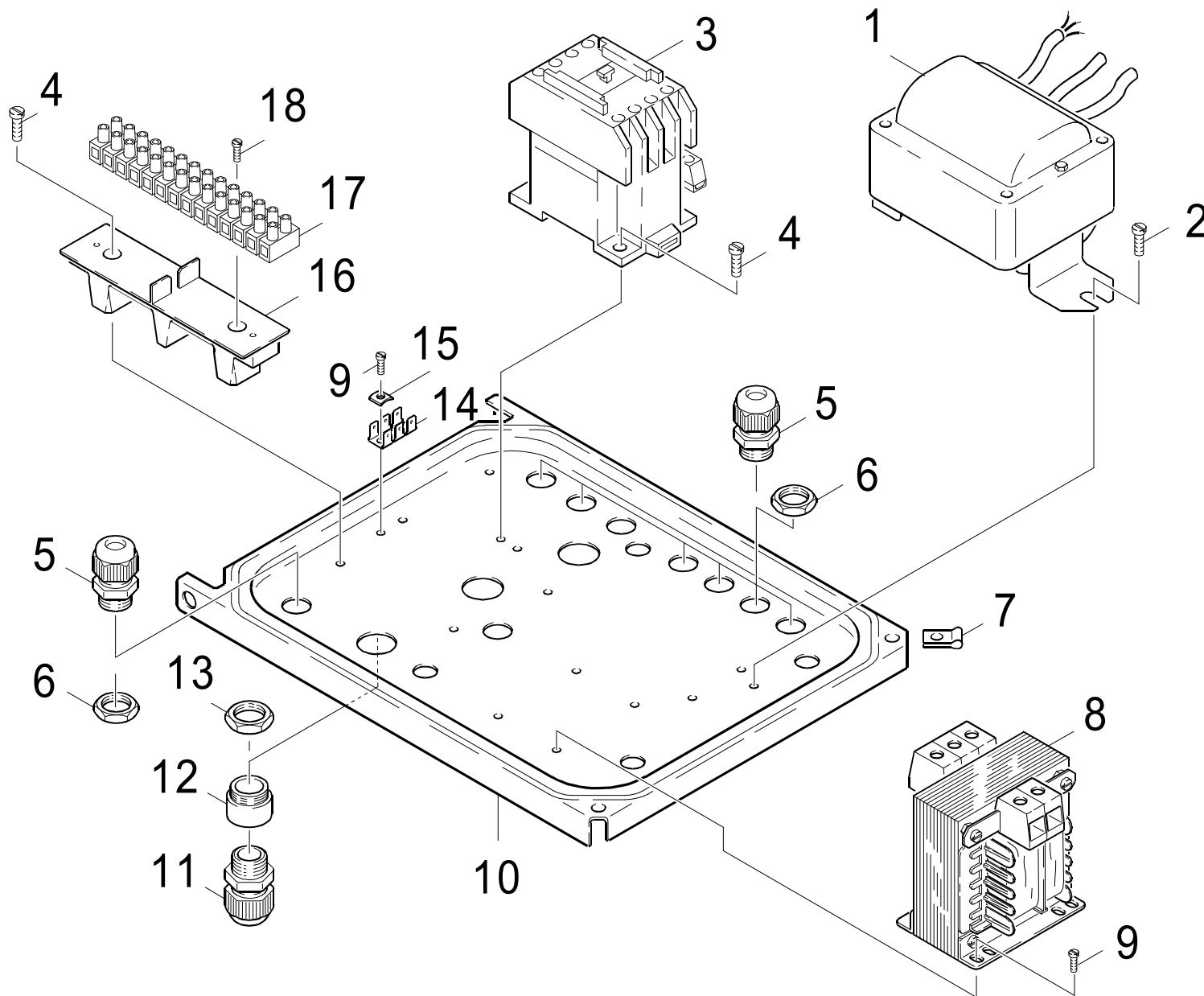
POS. ITM. POS.	BENNENNUNG DESCRIPTION DESIGNATION	TEILE-NR. PART-NO. NO.PIECE	STCK QTY. NBR.	POS. ITM. POS.	BENNENNUNG DESCRIPTION DESIGNATION	TEILE-NR. PART-NO. NO.PIECE	STCK QTY. NBR.
1	SIGNALLEUCHE ROT / PILOT LAMP / LAMPE TEMOIN	6.651-184.0	1	31	HAUBE / COVER / CAPOT	5.066-403.0	1
2	ZYL.SCHR. M 4X 10 / CHEESE HEAD SCREW / VIS A TETE CYLINDR.	7.306-513.0	4	32	HUTMUTTER M12 / CAP NUT / ECROU BORGNE	7.311-407.0	1
3	DICHTRING / JOINT RING / BAGUE D'ETANCHEITE	5.363-225.0	4				
4	GRIFF / HANDLE / POIGNEE	5.321-183.0	1				
5	KLEMMFEDER / SPRING / RESSORT DE FRICTION	6.313-014.0	2				
6	O-RING 13,3 X 2,4 / GASKET / BAQUE D'ETANCHEITE	6.362-078.0	2				
7	GRIFF / HANDLE / POIGNEE	5.321-182.0	1				
8	GRIFF / HANDLE / POIGNEE	5.321-279.0	1				
9	STOPFEN / PLUG / BOUCHON	5.132-063.0	1				
10	BL.SCHR. ST3,5X25 / SHEET METAL SCREW / VIS A TOLE	7.303-065.0	1				
11	KONDENSATOR / CAPACITOR / CONDENSATEUR	6.661-167.0	1				
12	ERSATZTEILSET / SPARE PARTS KIT / KIT DE PIECES	2.883-091.0	1				
13	DECKEL / COVER / COUVERCLE	5.063-353.0	1				
14	O-RING 32,0 X 2,5 / GASKET / BAQUE D'ETANCHEITE	6.362-085.0	1				
15	O-RING 12,5 X 2,5 / GASKET / BAQUE D'ETANCHEITE	6.362-515.0	1				
16	SCHRAUBENFEDER / HELICAL SPRING / RESSORT CYLINDRIQUE	5.332-236.0	1				
17	VENTILSITZ / VALVE SEAT / SIEGE DE SOUPE	5.581-121.0	1				
18	O-RING 5 X 1,5 / GASKET / BAQUE D'ETANCHEITE	6.362-386.0	1				
19	BL.SCHR. ST4,8X19 / SHEET METAL SCREW / VIS A TOLE	7.303-078.0	2				
20	SCHLAUCHSCHELLE / HOSE BAND CLIP / COLLIER DE SERRAGE	6.388-559.0	2				
21	SCHLAUCH DN 7 / HOSE / TUYAU FLEXIBLE	6.388-225.0	3				
	<b>ALS METERWARE BESTELLEN/TO ORDER AS CUT GOODS/COMMANDE COMME MARCHANDISE AU METRE</b>						
22	SCHLAUCHSCHELLE / HOSE BAND CLIP / COLLIER DE SERRAGE	6.388-515.0	2				
23	SCHLAUCH DN 7 / HOSE / TUYAU FLEXIBLE	6.388-194.0	2				
	<b>ALS METERWARE BESTELLEN/TO ORDER AS CUT GOODS/COMMANDE COMME MARCHANDISE AU METRE</b>						
24	MOOSGUMMISCHNUR / CELLULAR RUBBER CORD / CORDON EN CAOUTCHOUC CELL	6.273-082.0	1				
25	LINSENSCHR. 3,5X9,5 / OVAL HEAD SCREW / VIS A TETE BOMBEE	6.303-022.0	2				
26	IMPULSGEBER / PULSE GENERATOR / CONTACTEUR	6.633-372.0	1				
27	SCHEIBE / WASHER / RONDELLE	5.115-375.0	1				
28	TEMPERATURREGLER / THERMOSTAT / THERMOSTAT	6.685-716.0	1				
29	GERAETESCHALTER / SWITCH / INTERRUPTEUR	6.631-197.0	1				
30	BOLZEN / BOLT / BOULON	5.316-223.0	2				

"=> xxxxxx" = bis Werknummer / up to serial No. / jusqu' au No. de fabr. / "xxxxxx =>" = ab Werknummer / from serial No. / a partir du No. de fabr. /

GRUPPE: 8.2 UNTERTEIL  
GROUP: 8.2 BOTTOM  
GRUPPE: 8.2 PARTIE INFÉRIEURE

D8

HDS 600 C



Symbolbeschreibung siehe M16 / symbol description see M16 / désignation de système voir M16 /

GRUPPE: 8.2 UNTERTEIL  
GROUP: 8.2 BOTTOM  
GROUPE: 8.2 PARTIE INFERIEURE

E8

HDS 600 C

POS. ITM. POS.	BENNENUNG DESCRIPTION DESIGNATION	TEILE-NR. PART-NO. NO.PIECE	STCK QTY. NBR.
1	ZUENDTRAFO ET-SATZ / TRANSFORMER / TRANSFORMATEUR	2.883-464.0	1
2	SCHRAUBE M 5X 8 / SCREW / VIS	7.303-036.0	2
3	SCHUETZ / CONTACTOR / CONTACTEUR	6.632-356.0	1
4	SCHRAUBE M 4X 16 / SCREW / VIS	7.303-033.0	4
5	KABELVERSCHR. PG 9 / CABLE CONNECTOR / RACCORD DE CABLES	6.641-355.0	9
6	GEGENMUTTER PG 9 / COUNTERNUT / CONTRE-ECROU	6.641-366.0	9
7	BLECHMUTTER / NUT / ECROU	6.310-034.0	2
8	STEP DOWN TRANSFORM / STEP DOWN TRANSFORM / STEP DOWN TRANSFORM	6.622-172.0	1
9	SCHNEIDSCHR. M4X 8 / SELF-TAPPING SCREW / VIS AUTOTARAUEUSE	6.303-017.0	6
10	MONTAGEPLATTE / ASSEMBLY PLATE / PLAQUE DE MONTAGE	5.801-110.0	1
11	KABELVERSCHR. PG21 / CABLE CONNECTOR / RACCORD DE CABLES	6.641-448.0	1
12	ERWEITERUNGSSTUECK / ADAPTOR / PIECE DE EXTENSION	6.641-612.0	1
13	GEGENMUTTER PG13.5 / COUNTERNUT / CONTRE-ECROU	6.641-480.0	1
14	FLACHSTECKER / PLUG / FICHE PLATE	6.641-270.0	1
15	KLEMMSCHEIBE 4 / CLAMPIUNG DISC / DISQUE DE SERRAGE	6.641-804.0	1
16	AUFLAGER / SUPPORT / SUPPORT	5.057-036.0	1
17	KLEMMLEISTE / STRIP TERMINAL / BORNE PLATE	6.643-249.0	1
18	BL.SCHR. ST3,5X19 / SHEET METAL SCREW / VIS A TOLE	7.303-064.0	2

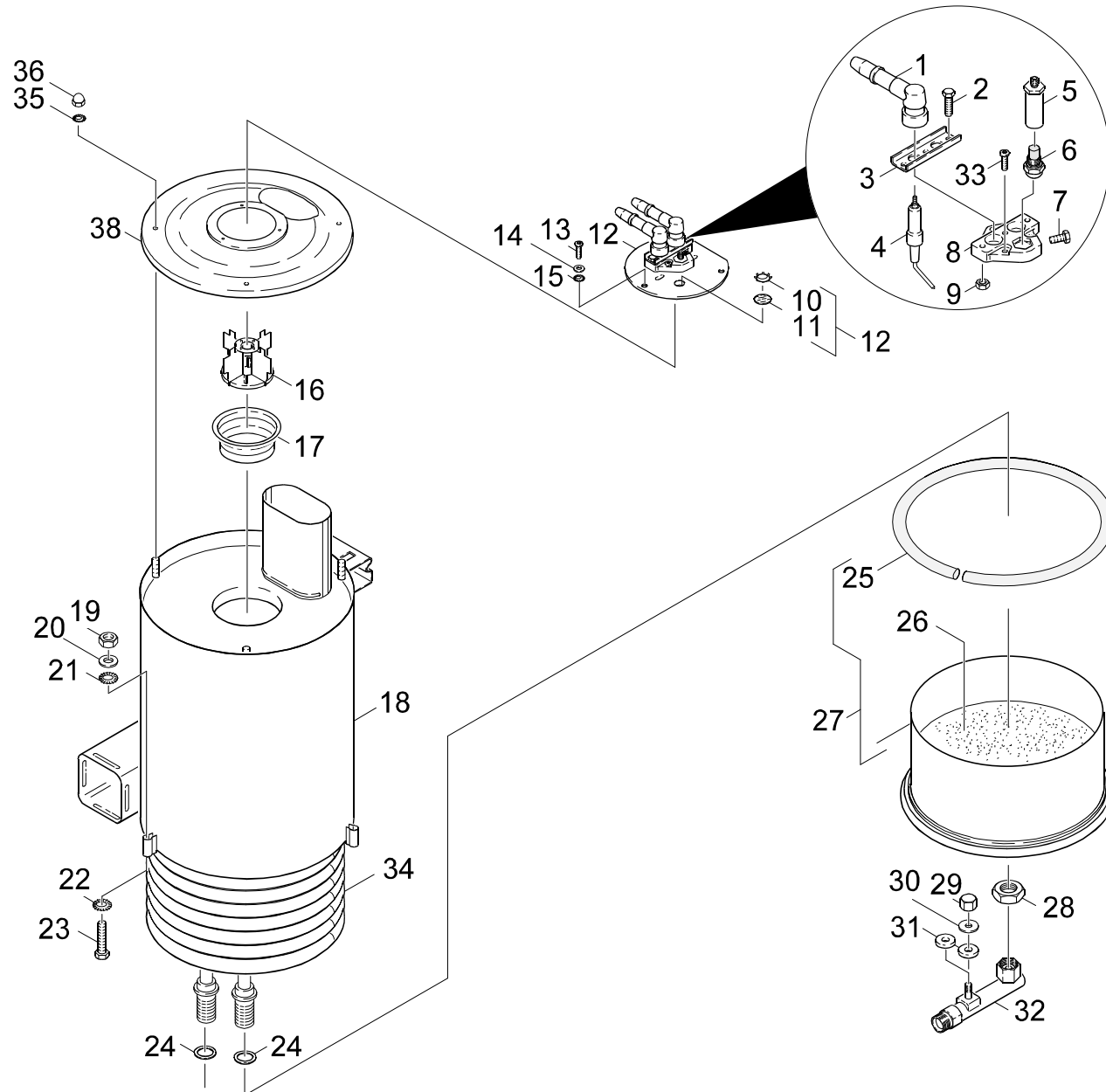
"=> xxxxxx" = bis Werknummer / up to serial No. / jusqu' au No. de fabr. / "xxxxxx =>" = ab Werknummer / from serial No. / a partir du No. de fabr. /

GRUPPE: 9.0 DURCHLAUFERHITZER  
GROUP: 9.0 FLOW HEATER  
GRUPPE: 9.0 CHAUFFE-EAU RAPIDE

**A9**

**HDS 600 C**

**GRUPPE: 9.0 DURCHLAUFERHITZER**  
**GROUP: 9.0 FLOW HEATER**  
**GRUPPE: 9.0 CHAUFFE-EAU RAPIDE**



Symbolbeschreibung siehe M16 / symbol description see M16 / désignation de système voir M16 /

GRUPPE: 9.0 DURCHLAUFERHITZER  
 GROUP: 9.0 FLOW HEATER  
 GROUPE: 9.0 CHAUFFE-EAU RAPIDE

C9

HDS 600 C

POS. ITM. POS.	BENNENNUNG DESCRIPTION DESIGNATION	TEILE-NR. PART-NO. NO.PIECE	STCK QTY. NBR.	POS. ITM. POS.	BENNENNUNG DESCRIPTION DESIGNATION	TEILE-NR. PART-NO. NO.PIECE	STCK QTY. NBR.
1	KERZENSTECKER / SPARK PLUG SOCKET / COSSE DE BOUGIE	6.618-076.0	2	35	ZAHNSCHEIBE A 6,4 / LOCK WASHER / ROUE PLATE	7.312-167.0	3
2	6KT-SCHR. M 5X 16 / HEXAGONAL HEAD SCREW / VIS HEXAGONAL	7.309-017.0	3	36	HUTMUTTER M 6 / CAP NUT / ECROU BORGNE	7.311-380.0	3
3	LASCHE / RETAINER CLIP / ECLISSE	5.004-541.0	1	37	DICHTRING 12 X15,5 / JOINT RING / BAGUE D'ETANCHEITE	7.362-004.0	2
4	ZUENDELEKTRODE / IGNITION ELECTRODE / ELECTR.D'AMORCAGE	5.826-047.0	2	38	DECKEL D.K. / COVER / COUVERCLE	5.654-038.0	1
5	DUESENHALTER / NOZZLE HOLDER / PORTE - BUSE	5.667-042.0	1				
6	DUESE / NOZZLE / BUSE	6.415-520.0	1				
7	ZYL.SCHR. M 5X 12 / CHEESE HEAD SCREW / VIS A TETE CYLINDR.	7.306-443.0	1				
8	KERZENHALTER / SPARK HOLDER / SUPPORT BOUGIE	5.668-001.0	1				
9	6KT-MUTTER M 5 / HEXAGON NUT / ECROU HEXAGONAL	7.311-037.0	3				
10	ZACKENRING / RING / ANNEAU	6.343-165.0	1				
11	GLASSCHEIBE / GLASS PANE / VITRE	6.278-018.0	1				
12	DECKEL D.K. / COVER / COUVERCLE	4.654-133.0	1				
13	BL.SCHR. ST4,8X19 / SHEET METAL SCREW / VIS A TOLE	7.303-078.0	3				
14	SCHEIBE 5 / WASHER / RONDELLE	7.312-002.0	3				
15	ZAHNSCHEIBE A 5,3 / LOCK WASHER / ROUE PLATE	7.312-172.0	1				
16	BRENNEREINSATZ / BURNER CAGE / BRULEUR CAGE	4.663-073.0	1				
17	BRENNERTEIL / BURNER PART / PIECE DE BRULEUR	5.664-179.0	1				
18	AUSSENMANTEL / OUTER JACKET / ENVELOPPE	4.652-065.0	1				
19	6KT-MUTTER M 8 / HEXAGON NUT / ECROU HEXAGONAL	7.311-510.0	3				
20	SCHEIBE 8 / WASHER / RONDELLE	7.312-004.0	3				
21	ZAHNSCHEIBE A 8,4 / LOCK WASHER / ROUE PLATE	7.312-166.0	3				
22	ZAHNSCHEIBE A 13,0 / LOCK WASHER / ROUE PLATE	7.312-169.0	3				
23	FL.RD.SCHR. M 8X 55 / SAUCER-HEAD SCREW / BOULON A TETE BOMBEE	7.303-165.0	3				
24	PROFILDICHTUNG / SEAL / ETOUPE PROFILE	5.365-068.0	2				
25	DICHTSCHNUR / SEAL STRING / CORDE DE BOURRAGE	6.366-009.0	1				
26	STAMPFMASSE 8KG / REFRACTORY MATERIAL / PISE REFRACT. DAME	2.889-061.0	1				
27	BODEN D.K. / BOTTOM / FOND	4.655-044.0	1				
28	6KT-MUTTER M22X1,5 / HEXAGON NUT / ECROU HEXAGONAL	7.311-155.0	2				
29	HUTMUTTER M 8 / CAP NUT / ECROU BORGNE	7.311-337.0	1				
30	SCHEIBE 8 / WASHER / RONDELLE	7.312-277.0	1				
31	UNTERLAGE / SPACER / COUSSINET	5.378-100.0	2				
32	KNOTENSTUECK / MANIFOLD / FERRURE NODALE	4.427-123.0	1				
33	SCHRAUBE M 5X 16 / SCREW / VIS	7.303-039.0	3				
34	HEIZSCHLANGE / HEATING COIL / SERPENTIN	4.680-076.0	1				

"=> xxxxxx" = bis Werknummer / up to serial No. / jusqu' au No. de fabr. / "xxxxxx =>" = ab Werknummer / from serial No. / a partir du No. de fabr. /

GRUPPE: 10.0SCHWIMMERKASTEN  
GROUP: 10.0FLOAT CHEST  
GRUPPE: 10.0BOITE DU FLOTTEUR

**A10**

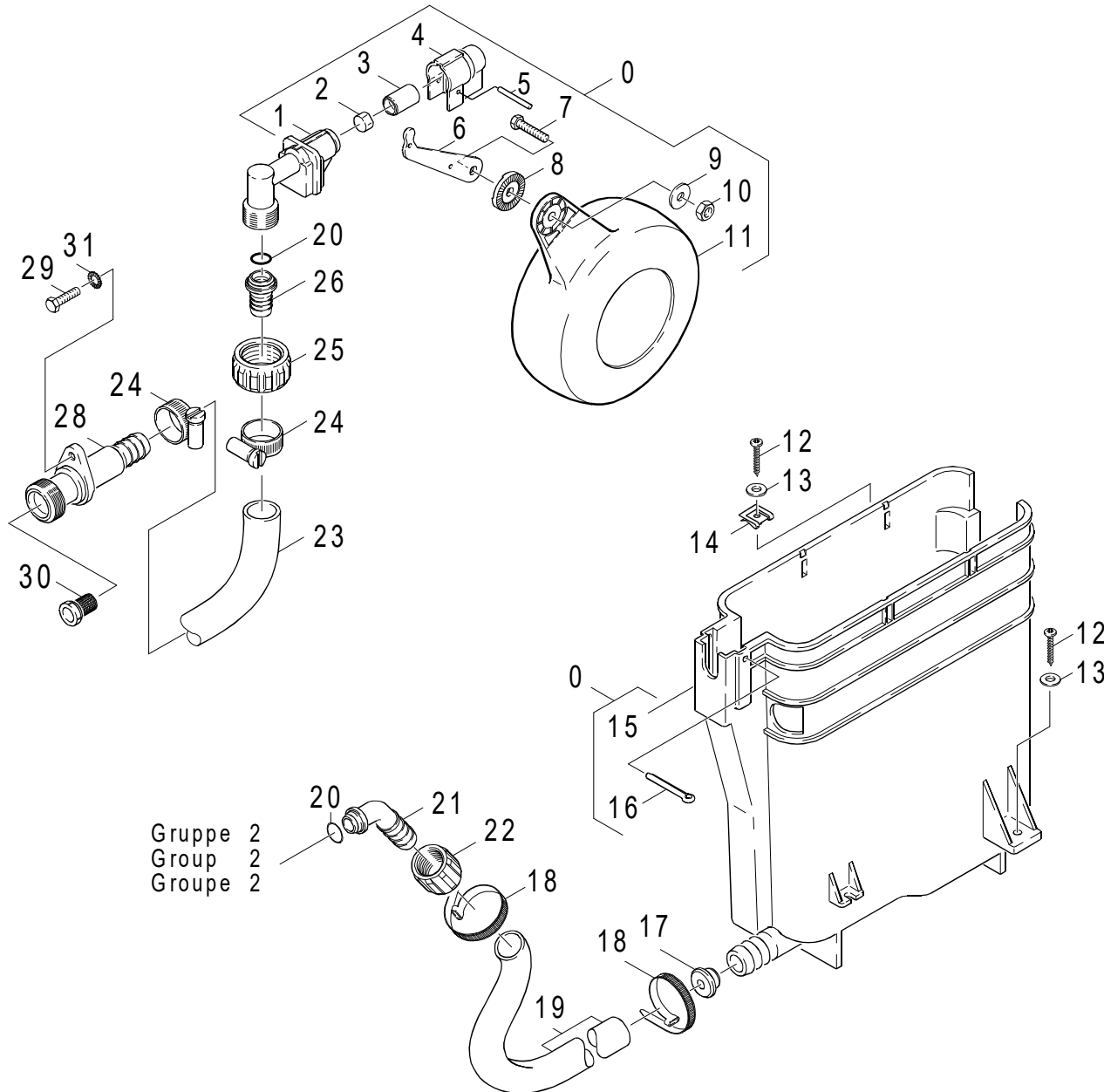
**HDS 600 C**

**GRUPPE: 10.0SCHWIMMERKASTEN**  
**GROUP: 10.0FLOAT CHEST**  
**GRUPPE: 10.0BOITE DU FLOTTEUR**

GRUPPE: 10.1 SCHWIMMERKASTEN  
GROUP: 10.1 FLOAT CHEST  
GROUPE: 10.1 BOITE DU FLOTTEUR

B10

HDS 600 C



Symbolbeschreibung siehe M16 / symbol description see M16 / désignation de système voir M16 /



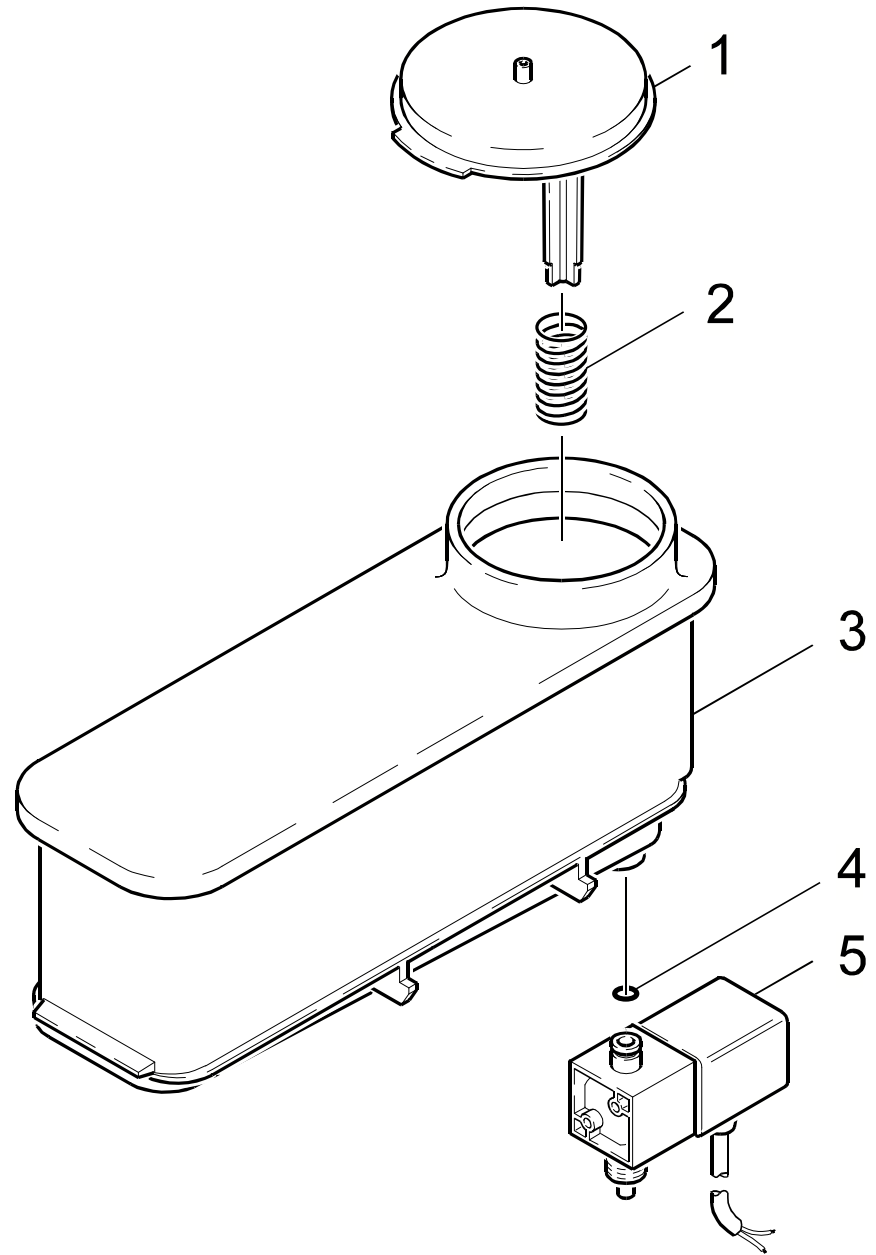
GRUPPE: 10.1 SCHWIMMERKASTEN  
 GROUP: 10.1 FLOAT CHEST  
 GROUPE: 10.1 BOITE DU FLOTTEUR

C10

HDS 600 C

POS. ITM. POS.	BENNENUNG DESCRIPTION DESIGNATION	TEILE-NR. PART-NO. NO.PIECE	STCK QTY. NBR.
0	SCHWIMMERVENTIL / FLOAT VALVE / SOUPAPE A FLOTTEUR	3.593-063.0	1
1	VENTILGEHAEUSE / VALVE HOUSING / CORPS DE SOUPAPE	5.587-134.0	1
2	FLACHDICHTUNG / GASKET / GARNITURE PLATE	5.364-095.0	1
3	VENTILBOLZEN / VALVE PIN / BOULON DE SOUPAPE	5.584-026.0	1
4	SCHUTZTEIL / PROTECTION PART / PARTIE PROTECTEUR	5.394-066.0	1
5	BOLZEN 3,0X 25 / BOLT / BOULON	7.316-004.0	1
6	HEBEL / LEVER / LEVIER	5.481-029.0	1
7	SCHRAUBE M 6X 20 / SCREW / VIS	7.306-194.0	1
8	SCHEIBE / WASHER / RONDELLE	5.115-158.0	1
9	SCHEIBE 6 / WASHER / RONDELLE	7.312-279.0	1
10	6KT-MUTTER M 6 / HEXAGON NUT / ECROU HEXAGONAL	7.311-422.0	1
11	SCHWIMMER / FLOAT / FLOTTEUR	5.585-014.0	1
12	BL.SCHR. ST4,8X19 / SHEET METAL SCREW / VIS A TOLE	7.303-078.0	2
13	SCHEIBE 5 / WASHER / RONDELLE	7.312-278.0	2
14	SCHNAPPMUTTER 4,8 / SNAP NUT / ECROU A ENCLANCH.	6.310-028.0	1
15	BEHAELTER / TANK / BAC	5.070-099.0	1
16	SPLINT 4,0X 50 / COTTER / GOUPILLE FENDUE	7.316-432.0	1
17	BUCHSE / BUSH / DOUILLE	5.112-193.0	1
18	KABELBAND 8-210 / CABLE TIE / PROTECT. DE CABLE	6.641-474.0	2
19	SCHLAUCH 19X4 / HOSE / TUYAU FLEXIBLE	6.388-721.0	1
20	O-RING 13,3 X 2,4 / GASKET / BAQUE D'ETANCHEITE	6.362-078.0	2
21	SCHLAUCHNIPPEL / HOSE STEM / RACCORD DE FLEXIBLE	5.443-211.0	1
22	MUTTER / NUT / ECROU	5.310-062.0	1
23	SCHLAUCH DN16 / HOSE / TUYAU FLEXIBLE	6.388-719.0	1
24	SCHLAUCHSCHELLE / HOSE BAND CLIP / COLLIER DE SERRAGE	6.388-547.0	2
25	MUTTER R 3/4Z / NUT / ECROU	5.310-061.0	1
26	SCHLAUCHNIPPEL / HOSE STEM / RACCORD DE FLEXIBLE	5.443-224.0	1
28	KNOTENSTUECK / MANIFOLD / FERRURE NODALE	5.427-127.0	1
29	6KT-SCHR. M 6X 12 / HEXAGONAL HEAD SCREW / VIS HEXAGONAL	7.309-008.0	1
30	SIEB / STRAINER / CREPINE	6.414-282.0	1
31	ZAHNSCHEIBE A 6,4 / LOCK WASHER / ROUE PLATE	7.312-167.0	1

"=> xxxxxx" = bis Werknummer / up to serial No. / jusqu' au No. de fabr. / "xxxxxx =>" = ab Werknummer / from serial No. / a partir du No. de fabr. /



Symbolbeschreibung siehe M16 / symbol description see M16 / désignation de système voir M16 /

GRUPPE: 10.2DGT  
GROUP: 10.2DROP METERING UNIT  
GRUPPE: 10.2DGT

**E10**

**HDS 600 C**

POS. ITM. POS.	BENNENUNG DESCRIPTION DESIGNATION	TEILE-NR. PART-NO. NO.PIECE	STCK QTY. NBR.
1	DECKEL / COVER / COUVERCLE	5.063-357.0	1
2	SCHRAUBENFEDER / HELICAL SPRING / RESSORT CYLINDRIQUE	5.332-001.0	1
3	BEHAELTER / TANK / BAC	4.070-123.0	1
4	O-RING 6,0 X 2,0 / GASKET / BAQUE D'ETANCHEITE	6.362-113.0	1
5	MAGNETVENTIL / SOLENOID VALVE / ELECTROVANNE	6.685-845.0	1

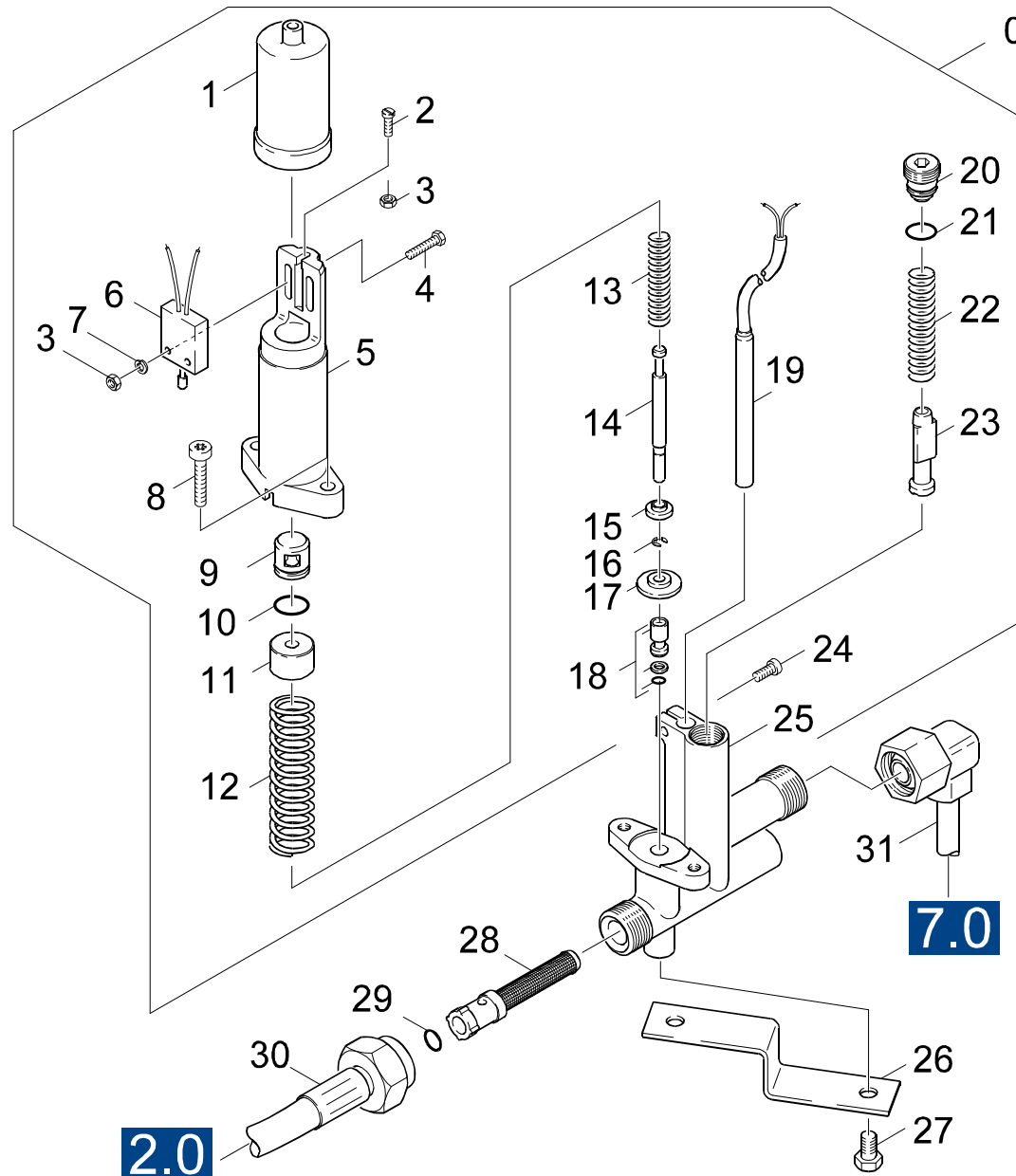
"=> xxxxxx" = bis Werknummer / up to serial No. / jusqu' au No. de fabr. / "xxxxxx =>" = ab Werknummer / from serial No. / a partir du No. de fabr. /

GRUPPE: 11.0SICHERHEITSBLOCK  
GROUP: 11.0SAFETY SYSTEM  
GRUPPE: 11.0BLOC DE SECURITE

**A11**

**HDS 600 C**

**GRUPPE: 11.0SICHERHEITSBLOCK**  
**GROUP: 11.0SAFETY SYSTEM**  
**GRUPPE: 11.0BLOC DE SECURITE**



Symbolbeschreibung siehe M16 / symbol description see M16 / désignation de système voir M16 /

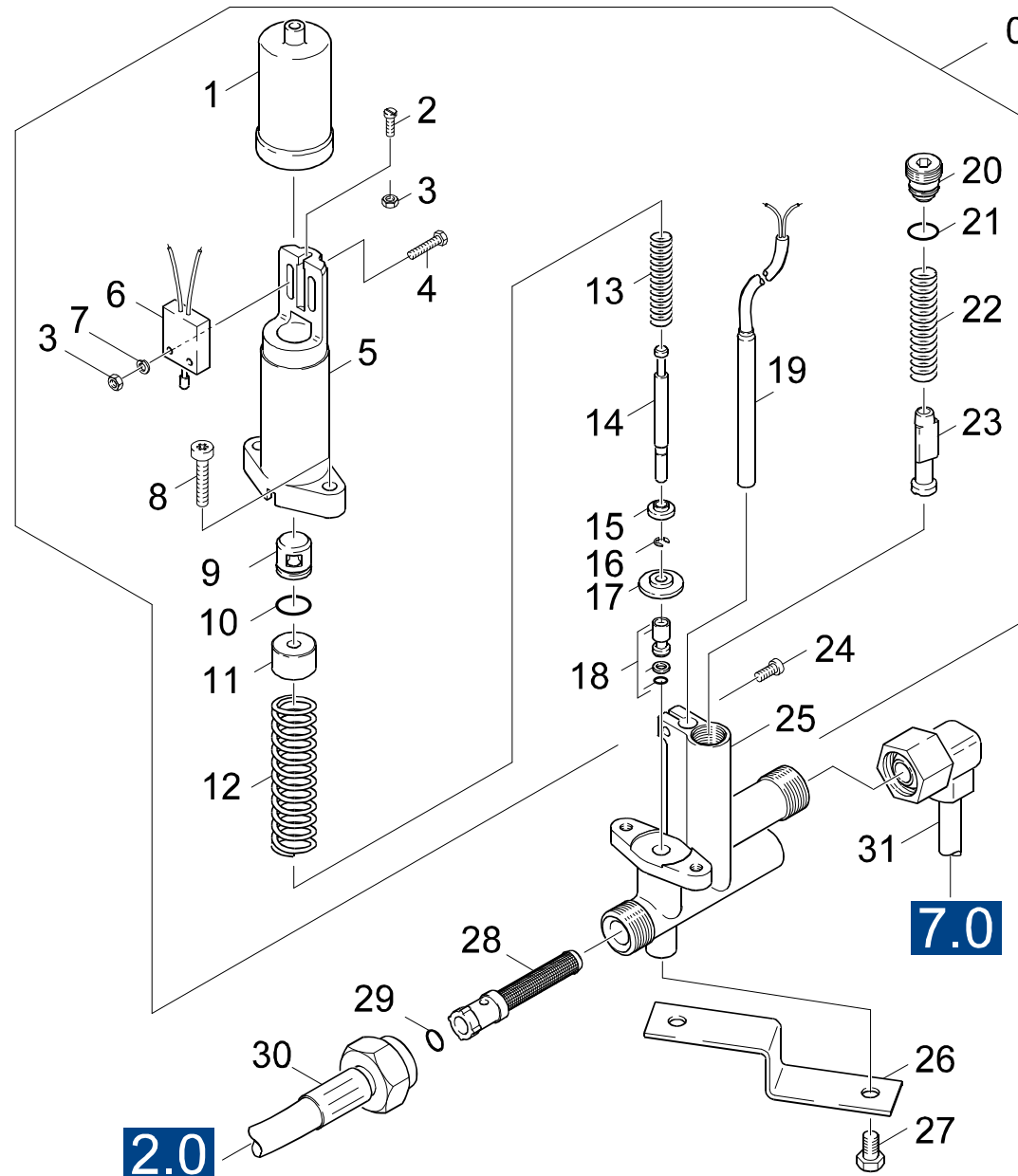
GRUPPE: 11.1 SICHERHEITSBLOCK / / => 25712  
 GROUP: 11.1 SAFETY SYSTEM / / => 25712  
 GROUPE: 11.1 BLOC DE SECURITE / / => 25712

**C11**

**HDS 600 C**

POS. ITM. POS.	BENNENNUNG DESCRIPTION DESIGNATION	TEILE-NR. PART-NO. NO.PIECE	STCK QTY. NBR.	POS. ITM. POS.	BENNENNUNG DESCRIPTION DESIGNATION	TEILE-NR. PART-NO. NO.PIECE	STCK QTY. NBR.
0	SICHERHEITSBLOCK / SAFETY SYSTEM / BLOC DE SECURITE	4.749-095.0	1	31	ROHRLEITUNG / PIPELINES / CONDUITE	4.421-064.0	1
1	SCHUTZTEIL / PROTECTION PART / PARTIE PROTECTEUR	5.394-060.0	1				
2	SCHRAUBE M 3X 16 / SCREW / VIS	7.306-054.0	1				
3	6KT-MUTTER M 3 / HEXAGON NUT / ECROU HEXAGONAL	7.311-000.0	3				
4	6KT-SCHR. M 3X 20 / HEXAGONAL HEAD SCREW / VIS HEXAGONAL	7.304-352.0	2				
5	GEHAEUSE / HOUSING / BOITIER	5.060-099.0	1				
6	MIKROSCHALTER / MICRO SWITCH / MICRORUPTEUR	6.631-125.0	1				
7	FEDERRING B 3 / SPRING WASHER / RONDELLE GROWER	7.313-000.0	2				
8	ZYL.SCHR. M 6X 25 / CHEESE HEAD SCREW / VIS A TETE CYLINDR.	7.306-023.0	2				
9	KOLBEN / PISTON / PISTON	5.553-046.0	1				
10	O-RING 12,0 X 2,0 / GASKET / BAQUE D'ETANCHEITE	6.362-169.0	1				
11	BUCHSE / BUSH / DOUILLE	5.112-100.0	1				
12	SCHRAUBENFEDER / HELICAL SPRING / RESSORT CYLINDRIQUE	5.332-069.0	1				
13	SCHRAUBENFEDER / HELICAL SPRING / RESSORT CYLINDRIQUE	5.332-070.0	1				
14	STANGE / BAR / TIGE	5.107-023.0	1				
15	BUCHSE / BUSH / DOUILLE	5.112-094.0	1				
16	S-SCHEIBE 4 / LOCK WASHER / RONDELLE D'ARRET	7.343-203.0	1				
17	SCHEIBE / WASHER / RONDELLE	5.115-147.0	1				
18	KOLBEN / PISTON / PISTON	4.553-025.0	1				
19	ERSATZREEDSCHALTER / SPARE REED SWITCH / INTERRUPT.REED DE RESERVE	2.880-194.0	1				
20	FORMSCHRAUBE / FORM SCREW / VIS	5.305-162.0	1				
21	O-RING 10 X 1,5 / GASKET / BAQUE D'ETANCHEITE	6.362-482.0	1				
22	SCHRAUBENFEDER / HELICAL SPRING / RESSORT CYLINDRIQUE	5.332-057.0	1				
23	KOLBEN / PISTON / PISTON	4.553-022.0	1				
24	LINSENSCHR. M 5X 16 / OVAL HEAD SCREW / VIS A TETE BOMBEE	7.306-308.0	1				
25	GEHAEUSE / HOUSING / BOITIER	5.060-303.0	1				
26	HALTER / BRACKET / FIXATION	5.042-468.0	1				
27	6KT-SCHR. M 8X 12 / HEXAGONAL HEAD SCREW / VIS HEXAGONAL	7.304-394.0	1				
28	SIEB / STRAINER / CREPINE	6.414-327.0	1				
29	ERSATZTEILSET / SPARE PARTS KIT / KIT DE PIECES	2.880-296.0	1				
30	HD-SCHLAUCH DN 8 / HIGH PRESSURE HOSE / TUYAU FLEXIBLE HAUTE PRE.	6.388-910.0	1				

"=> xxxxxx" = bis Werknummer / up to serial No. / jusqu' au No. de fabr. / "xxxxxx =>" = ab Werknummer / from serial No. / a partir du No. de fabr. /



Symbolbeschreibung siehe M16 / symbol description see M16 / désignation de système voir M16 /

GRUPPE: 11.2SICHERHEITSBLOCK / 25713 =>  
 GROUP: 11.2SAFETY SYSTEM / 25713 =>  
 GROUPE: 11.2BLOC DE SECURITE / 25713 =>

**E11**

**HDS 600 C**

POS. ITM. POS.	BENNENNUNG DESCRIPTION DESIGNATION	TEILE-NR. PART-NO. NO.PIECE	STCK QTY. NBR.	POS. ITM. POS.	BENNENNUNG DESCRIPTION DESIGNATION	TEILE-NR. PART-NO. NO.PIECE	STCK QTY. NBR.
0	SICHERHEITSBLOCK / SAFETY SYSTEM / BLOC DE SECURITE	4.749-108.0	1	31	ROHRLEITUNG / PIPELINES / CONDUITE	4.421-064.0	1
1	SCHUTZTEIL / PROTECTION PART / PARTIE PROTECTEUR	5.394-060.0	1				
2	SCHRAUBE M 3X 16 / SCREW / VIS	7.306-054.0	1				
3	6KT-MUTTER M 3 / HEXAGON NUT / ECROU HEXAGONAL	7.311-000.0	3				
4	6KT-SCHR. M 3X 20 / HEXAGONAL HEAD SCREW / VIS HEXAGONAL	7.304-352.0	2				
5	GEHAEUSE / HOUSING / BOITIER	5.060-099.0	1				
6	MIKROSCHALTER / MICRO SWITCH / MICRORUPTEUR	6.631-125.0	1				
7	FEDERRING B 3 / SPRING WASHER / RONDELLE GROWER	7.313-000.0	2				
8	ZYL.SCHR. M 6X 25 / CHEESE HEAD SCREW / VIS A TETE CYLINDR.	7.306-023.0	2				
9	KOLBEN / PISTON / PISTON	5.553-046.0	1				
10	O-RING 12,0 X 2,0 / GASKET / BAQUE D'ETANCHEITE	6.362-169.0	1				
11	BUCHSE / BUSH / DOUILLE	5.112-186.0	1				
12	SCHRAUBENFEDER / HELICAL SPRING / RESSORT CYLINDRIQUE	5.332-069.0	1				
13	SCHRAUBENFEDER / HELICAL SPRING / RESSORT CYLINDRIQUE	5.332-070.0	1				
14	STANGE / BAR / TIGE	5.107-023.0	1				
15	BUCHSE / BUSH / DOUILLE	5.112-094.0	1				
16	S-SCHEIBE 4 / LOCK WASHER / RONDELLE D'ARRET	7.343-203.0	1				
17	SCHEIBE / WASHER / RONDELLE	5.115-147.0	1				
18	KOLBEN / PISTON / PISTON	4.553-025.0	1				
19	ERSATZREEDSCHALTER / SPARE REED SWITCH / INTERRUPT.REED DE RESERVE	2.880-194.0	1				
20	FORMSCHRAUBE / FORM SCREW / VIS	5.305-162.0	1				
21	O-RING 10 X 1,5 / GASKET / BAQUE D'ETANCHEITE	6.362-482.0	1				
22	SCHRAUBENFEDER / HELICAL SPRING / RESSORT CYLINDRIQUE	5.332-057.0	1				
23	KOLBEN / PISTON / PISTON	4.553-022.0	1				
24	LINSENSCHR. M 5X 16 / OVAL HEAD SCREW / VIS A TETE BOMBEE	7.306-308.0	1				
25	GEHAEUSE / HOUSING / BOITIER	5.060-303.0	1				
26	HALTER / BRACKET / FIXATION	5.042-468.0	1				
27	6KT-SCHR. M 8X 12 / HEXAGONAL HEAD SCREW / VIS HEXAGONAL	7.304-394.0	1				
28	SIEB / STRAINER / CREPINE	6.414-327.0	1				
29	ERSATZTEILSET / SPARE PARTS KIT / KIT DE PIECES	2.880-296.0	1				
30	HD-SCHLAUCH DN 8 / HIGH PRESSURE HOSE / TUYAU FLEXIBLE HAUTE PRE.	6.388-910.0	1				

"=> xxxxxx" = bis Werknummer / up to serial No. / jusqu' au No. de fabr. / "xxxxxx =>" = ab Werknummer / from serial No. / a partir du No. de fabr. /



GRUPPE: 12.0ZUBEHOER  
GROUP: 12.0ACCESSORIES  
GRUPPE: 12.0ACCESSOIRES

**A12**

**HDS 600 C**

**GRUPPE: 12.0ZUBEHOER**  
**GROUP: 12.0ACCESSORIES**  
**GRUPPE: 12.0ACCESSOIRES**



GRUPPE: 12.1HANDSPRITZPISTOLE  
GROUP: 12.1TRIGGER GUN  
GROUPE: 12.1POIGNEE PISTOLET

C12

HDS 600 C

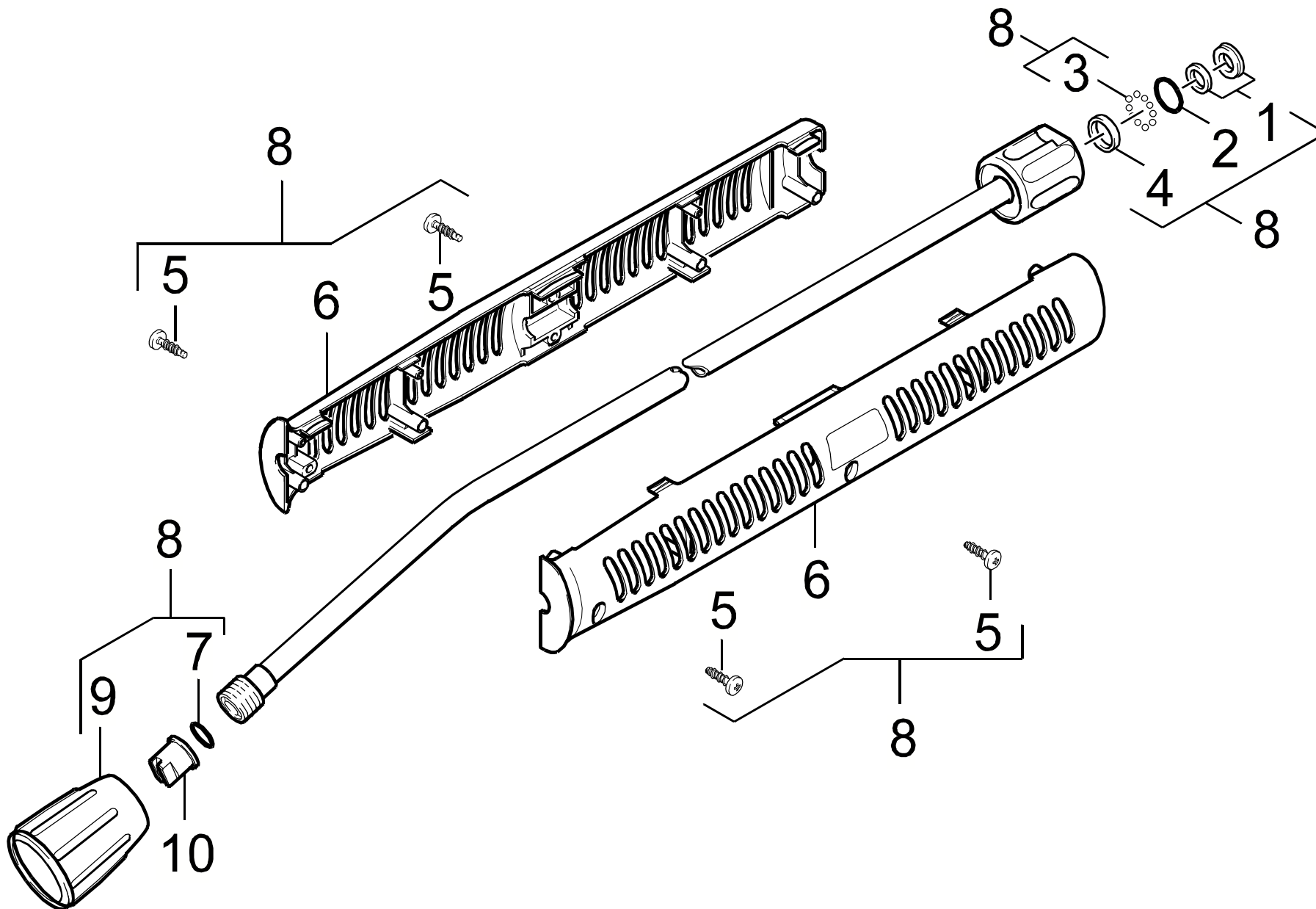
POS. ITM. POS.	BENNENUNG DESCRIPTION DESIGNATION	TEILE-NR. PART-NO. NO.PIECE	STCK QTY. NBR.
0	HANDSPRITZPISTOLE / TRIGGER GUN / POIGNEE PISTOLET	4.775-080.0	1
1	LINSENSCHR. 4,2X22 / OVAL HEAD SCREW / VIS A TETE BOMBEE	6.303-024.0	6
2	GRIFFPAAR / HANDLES / BRANCHES POIGNEE	5.321-230.0	1
3	HEBEL / LEVER / LEVIER	4.481-050.0	1
4	HEBEL / LEVER / LEVIER	5.481-052.0	1
5	VERSCHLUSSCHRAUBE / CLOSING SCREW / VIS DE FERMETURE	5.411-067.0	1
6	SCHRAUBENFEDER / HELICAL SPRING / RESSORT CYLINDRIQUE	5.332-157.0	1
7	VENTILTeller / VALVE DISC / TETE DE SOUPAPE	5.582-084.0	1
8	O-RING 12,42X 1,78 / GASKET / BAQUE D'ETANCHEITE	6.362-584.0	1
9	GEW.STIFT M 8X 16 / THREADED PIN / VIS SANS TETE	7.307-417.0	1
10	STANGE / BAR / TIGE	5.107-097.0	1
11	O-RING KPL./1ST.-R. / GASKET / BAQUE D'ETANCHEITE	6.362-571.0	1
12	KNOTENSTUECK / MANIFOLD / FERRURE NODALE	4.427-131.0	1
13	O-RING 17,12X 2,62 / GASKET / BAQUE D'ETANCHEITE	6.362-496.0	1
14	LINSENSCHR. 4,2X16 / OVAL HEAD SCREW / VIS A TETE BOMBEE	6.303-025.0	1
15	O-RING KPL./1ST.-R. / GASKET / BAQUE D'ETANCHEITE	6.363-115.0	1
16	HD-SCHLAUCH DN 6 / HIGH PRESSURE HOSE / TUYAU FLEXIBLE HAUTE PRE.	6.390-174.0	1
17	ERSATZTEILSET / SPARE PARTS KIT / KIT DE PIECES	2.880-296.0	1
100	ERSATZTEILSET / SPARE PARTS KIT / KIT DE PIECES	2.883-192.0	1

"=> xxxxxx" = bis Werknummer / up to serial No. / jusqu' au No. de fabr. / "xxxxxx =>" = ab Werknummer / from serial No. / a partir du No. de fabr. /

GRUPPE: 12.2 STRAHLROHR  
GROUP: 12.2 JET PIPE  
GRUPPE: 12.2 LANCE D'INCENDIE

D12

HDS 600 C



Symbolbeschreibung siehe M16 / symbol description see M16 / désignation de système voir M16 /

GRUPPE: 12.2STRAHLROHR  
GROUP: 12.2JET PIPE  
GRUPPE: 12.2LANCE D'INCENDIE

E12

HDS 600 C

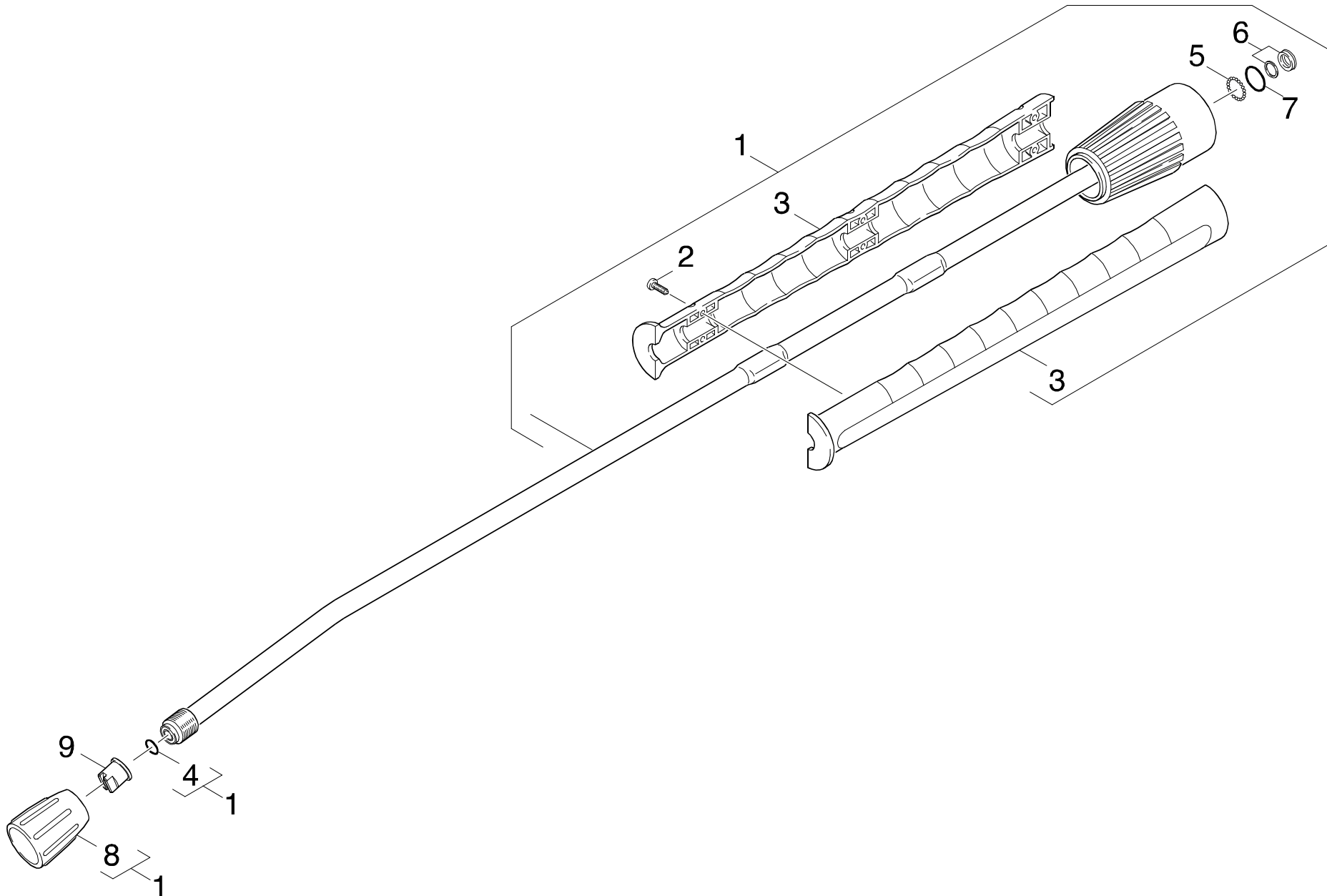
POS. ITM. POS.	BENNENUNG DESCRIPTION DESIGNATION	TEILE-NR. PART-NO. NO.PIECE	STCK QTY. NBR.
1	NUTRING KPL.1ST.R. / GROOVED RING / JOINT A LEVRES	6.362-532.0	1
2	O-RING 17,0 X 1,5 / GASKET / BAQUE D'ETANCHEITE	6.362-524.0	1
3	KUGEL 4,0 KL3 / BALL / BOULE	7.401-921.0	12
4	DICHTRING 12X1,5 / JOINT RING / BAGUE D'ETANCHEITE	6.362-529.0	1
5	LINSENSCHR. 4,2X16 / OVAL HEAD SCREW / VIS A TETE BOMBEE	6.303-025.0	2
6	GRIFF / HANDLE / POIGNEE	5.321-150.0	2
7	ERSATZTEILSET / SPARE PARTS KIT / KIT DE PIECES	2.880-296.0	1
8	STRAHLROHR KPL. / JET PIPE / LANCE D'INCENDIE	4.760-550.0	1
9	VERSCHRAUBUNGSTEIL / SCREW UNION PART / PIECE (RACCORD A VIS)	5.401-129.0	1
10	DUESENMUNDSTUECK / NOZZLE MOUTHPIECE / NEZ DE BUSE	6.415-611.0	1

"=> xxxxxx" = bis Werknummer / up to serial No. / jusqu' au No. de fabr. / "xxxxxx =>" = ab Werknummer / from serial No. / a partir du No. de fabr. /

GRUPPE: 12.3 STRAHLROHR  
GROUP: 12.3 JET PIPE  
GRUPPE: 12.3 LANCE D'INCENDIE

F12

HDS 600 C



Symbolbeschreibung siehe M16 / symbol description see M16 / désignation de système voir M16 /

GRUPPE: 12.3 STRAHLROHR  
GROUP: 12.3 JET PIPE  
GRUPPE: 12.3 LANCE D'INCENDIE

G12

HDS 600 C

POS. ITM. POS.	BENNENUNG DESCRIPTION DESIGNATION	TEILE-NR. PART-NO. NO.PIECE	STCK QTY. NBR.
1	STRAHLROHR KPL. / JET PIPE / LANCE D'INCENDIE	4.760-550.0	1
2	SCHRAUBE 4 X 16 / SCREW / VIS	7.303-129.0	6
3	GRIFFPAAR / HANDLES / BRANCHES POIGNEE	5.321-691.0	1
4	ERSATZTEILSET / SPARE PARTS KIT / KIT DE PIECES	2.880-296.0	1
5	KUGEL 2,5 G40 / BALL / BOULE	7.401-915.0	20
6	NUTRING KPL.1ST.R. / GROOVED RING / JOINT A LEVRES	6.362-532.0	1
7	O-RING 17,0 X 1,5 / GASKET / BAQUE D'ETANCHEITE	6.362-524.0	1
8	VERSCHRAUBUNGSTEIL / SCREW UNION PART / PIECE (RACCORD A VIS)	5.401-210.0	1
9	DUESENMUNDSTUECK / NOZZLE MOUTHPIECE / NEZ DE BUSE	6.415-611.0	1

"=> xxxxxx" = bis Werknummer / up to serial No. / jusqu' au No. de fabr. / "xxxxxx =>" = ab Werknummer / from serial No. / a partir du No. de fabr. /

## Bestellhinweis

Bei Ihrer Bestellung sind unbedingt anzugeben :

1.	2.	3.	4.	5.
Gerätetyp Machine model Type d'appareils	Herstell-Nr. Serial-No. No. de série	Benennung Description Désignation	Teile-Nr. Part No. Référence	Stückzahl Piece No. Quantité



**siehe Typenschild  
see name-plate  
voir plaque signalétique**



**siehe Ersatzteilliste  
see spare parts list  
voir liste des pièces de rechange**

- Die Ersatzteile, welche als Meterware geliefert werden, sind auf Einbaulänge selbst zu kürzen. Ebenso sind die Stückzahlen in den jeweiligen Gruppen als Mindestbestellmengen = 1m angegeben und können je nach Bedarf auf weitere volle Meterzahlen erhöht und bestellt werden.
- Spare Parts which are delivered as cut goods have to be shortened to installation length. The quotation of quantity in each group refers to the minimum order quantity = 1m and may be ordered and raised to further full metre-values according to demand
- Les pièces de rechange qui sont livrées comme marchandise au mètre sont à raccourcir selon la longueur d'installation. Les indications de quantité dans chaque group se réfèrent à des valeurs de mètre de plus.
- Diese Ersatzteilliste erscheint in gedruckter Form sowie als Mikrofiche. Bei Querverweisen bezieht sich die Angabe "Seitenzahl" auf die gedruckte Ersatzteilliste und die Angabe "Bildtafel" auf die Mikrofilmausgabe.
- This spare parts list is published both in printed form and as a microfiche. In the cross-references, "page number" refers to the printed spare parts list and "display table" to the microfilm edition.
- Cette liste de pièces de rechange est aussi bien imprimée que publiée sous forme de microfiche. Les indications transversales renvoient au "numéro de page" sur la liste imprimée des pièces de rechange et à la "planche" sur la microfiche.

Bitte beachten Sie, daß der Teileumfang dieser Ersatzteilliste nicht unbedingt dem Lieferumfang Ihres Geräte entspricht.

For your information: It could be that certain parts quoted in this spare parts list were not included with the machine delivery.

Pour votre information: il se peut que certaines pièces détachées mentionnées sur la liste ne vous aient pas été livrées avec l'appareil.

Die in dieser Ersatzteilliste nicht aufgeführten Einzelteile, bestellen Sie bitte direkt beim Vertragskundendienst des jeweiligen Herstellers.

Please order the individual parts not included in this assembly directly with the contract aftersales service of the manufacturer in question.

Veillez s'il vous plaît, commander les pièces détachées qui ne sont indiquées dans notre liste des pièces détachées, directement auprès du service après-vente des fabricants en question.

Bei Bestellung von lackierten Teilen, welche in der Ersatzteilliste nicht in verschiedenen Farben ausgewiesen sind, ist zusätzlich die Farbnummer oder Farbe mit anzugeben. Diese finden Sie auf dem Typenschild oder Farbschild Ihres Gerätes.

Upon ordering of varnished parts which are not mentioned in the spare parts list as parts with different colors, kindly additionally mention the number of the color. It can be seen on the type plate of the color plate of your machine.

Commandant des parts vernissés qui ne sont pas mentionnés comme parts avec une couleur différente dans la liste des pièces détachées, veuillez mentionner de plus le numéro de la couleur. Il se trouve sur la plaque signalétique ou la plaque de couleur de votre machine.

Auflistungen von Einzelteilen bei Ersatzteil - u. Pumpensets sind in der Reihe "16" einzusehen, bzw. direkt unter dem entsprechenden Set aufgelistet.

Listings of single parts upon spare parts kits and pump kits can be seen in row "16" or directly listed below the corresponding kit.  
Des établissements des pièces détachées en ce qui concerne les kits des pièces de rechange et les kits de pompes, peuvent être vus à la ligne "16" ou ils sont répertoriés directement au-dessous du jeu correspondant.

Technische Änderungen im Rahmen der Weiterentwicklung sowie das Recht der ausschließlichen Auswertung unseres geistigen Eigentums behalten wir uns vor. Vervielfältigung und Nachdruck nur mit Genehmigung und Urheberhinweis möglich.

We reserve the right to make technical changes in the course of development work and the right to make exclusive use of our intellectual property. This spare parts list may be duplicated or reprinted only with our approval and with acknowledgement of our copyright.

Nous nous réservons le droit de toutes modifications techniques dans le cadre du perfectionnement des mises au point ainsi que le droit de la mise en valeur exclusive de notre propriété intellectuelle. Polycopie et reproduction exclusivement après accord et avec mention de l'auteur.



# INDEX

## M16

## HDS 600 C

GRUPPE: 1.0 EINZELTEILE GROUP: 1.0 PIECE PARTS GRUPPE: 1.0 PIÈCES CONSTITUANTES	A1-G1	GRUPPE: 9.0 DURCHLAUFERHITZER GROUP: 9.0 FLOW HEATER GRUPPE: 9.0 CHAUFFE-EAU RAPIDE	A9-E9
GRUPPE: 2.0 PUMPENSATZ GROUP: 2.0 PUMP SET GRUPPE: 2.0 JEU (ENSEMBLE) DE POMPE	A2-E2	GRUPPE: 10.0SCHWIMMERKASTEN GROUP: 10.0FLOAT CHEST GRUPPE: 10.0BOITE DU FLOTTEUR	A10-E10
GRUPPE: 3.0 MOTOR GROUP: 3.0 MOTOR GRUPPE: 3.0 MOTEUR	A3-E3	GRUPPE: 11.0SICHERHEITSBLOCK GROUP: 11.0SAFETY SYSTEM GRUPPE: 11.0BLOC DE SECURITE	A11-G11
GRUPPE: 4.0 MOTOR GROUP: 4.0 MOTOR GRUPPE: 4.0 MOTEUR	A4-E4	GRUPPE: 12.0ZUBEHOER GROUP: 12.0ACCESSORIES GRUPPE: 12.0ACCESSOIRES	A12-12
GRUPPE: 5.0 GEBLAESE GROUP: 5.0 BLOWER GRUPPE: 5.0 VENTILATEUR	A5-I5		
GRUPPE: 6.0 BRENNSTOFFPUMPE GROUP: 6.0 FUEL PUMP GRUPPE: 6.0 POMPE DE COMBUSTIBLE	A6-E6		
GRUPPE: 7.0 E-GERAETESCHRANK GROUP: 7.0 ELECTRIC CONTROL BOX GRUPPE: 7.0 COFFRET ELECTRIQUE	A7-E7		
GRUPPE: 8.0 E-GERAETESCHRANK GROUP: 8.0 ELECTRIC CONTROL BOX GRUPPE: 8.0 COFFRET ELECTRIQUE	A8-C8		



BEISPIEL: VERSION 1  
EXAMPLE: VERSION 1  
EXEMPLE: VERSION 1

**3.0**

BEISPIEL: SIEHE IN GRUPPE 3  
EXAMPLE: SEE IN GROUP 3  
EXEMPLE: VOIR EN GROUPE 3



WICHTIGER HINWEIS  
IMPORTANT REMARK  
REMARCAQUAGE IMPORTANT

BESTEL LHINWEIS SIEHE M15  
EXAMPLE ORDER SEE M15  
EXEMPLE DE COMMANDE VOIR M15

VARIANTENÜBERSICHT SIEHE L16  
VARIANTS SURVEY SEE L16  
VUE D'ENSEMBLE DE VARIANTS VOIR L16