

Ersatzteilliste
Spare Parts List
Liste des pièces de rechange

HDS 895 S

1.027-301.0	HDS 895 S	*EU
1.027-302.0	HDS 895 S	*EU
1.027-304.0	HDS 895 S	*VEX
1.027-305.0	HDS 895 S	*AU
1.027-306.0	HDS 895 S	*AR
1.027-307.0	HDS 895 S	*GB
1.027-312.0	HDS 895S FLAMM	*EU
1.027-313.0	HDS 895 S	*BR
1.027-314.0	HDS 895 S V2A	
1.027-320.0	HDS 895 SX	*EU
1.027-321.0	HDS 895 SX	*EUR

GRUPPE: 1.0 EINZELTEILE
GROUP: 1.0 PIECE PARTS
GRUPPE: 1.0 PIECES CONSTITUANTES

A1

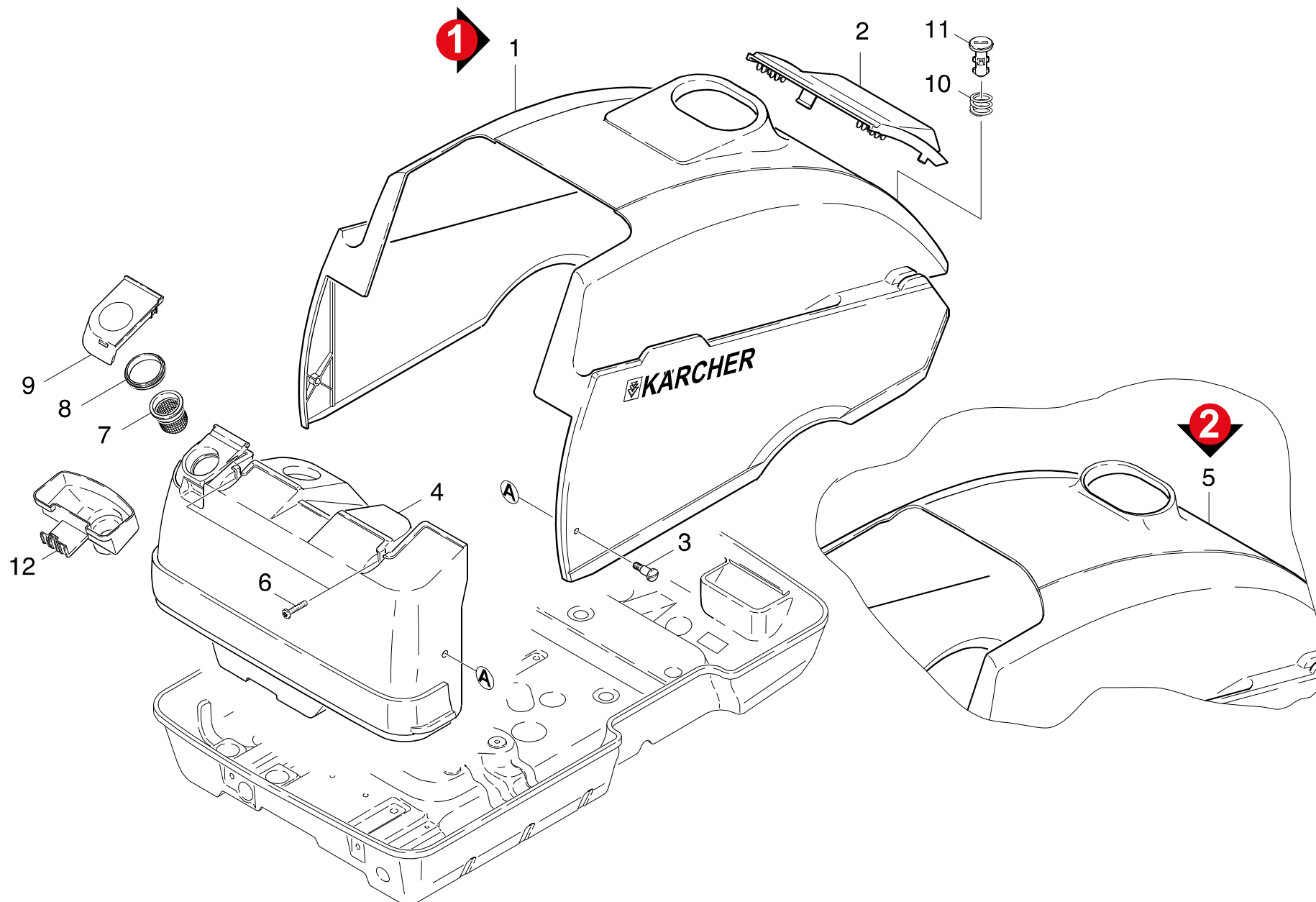
HDS 895 S

GRUPPE: 1.0 EINZELTEILE
GROUP: 1.0 PIECE PARTS
GRUPPE: 1.0 PIECES CONSTITUANTES

GRUPPE: 1.1 HAUBE
GROUP: 1.1 COVER
GRUPPE: 1.1 CAPOT

B1

HDS 895 S



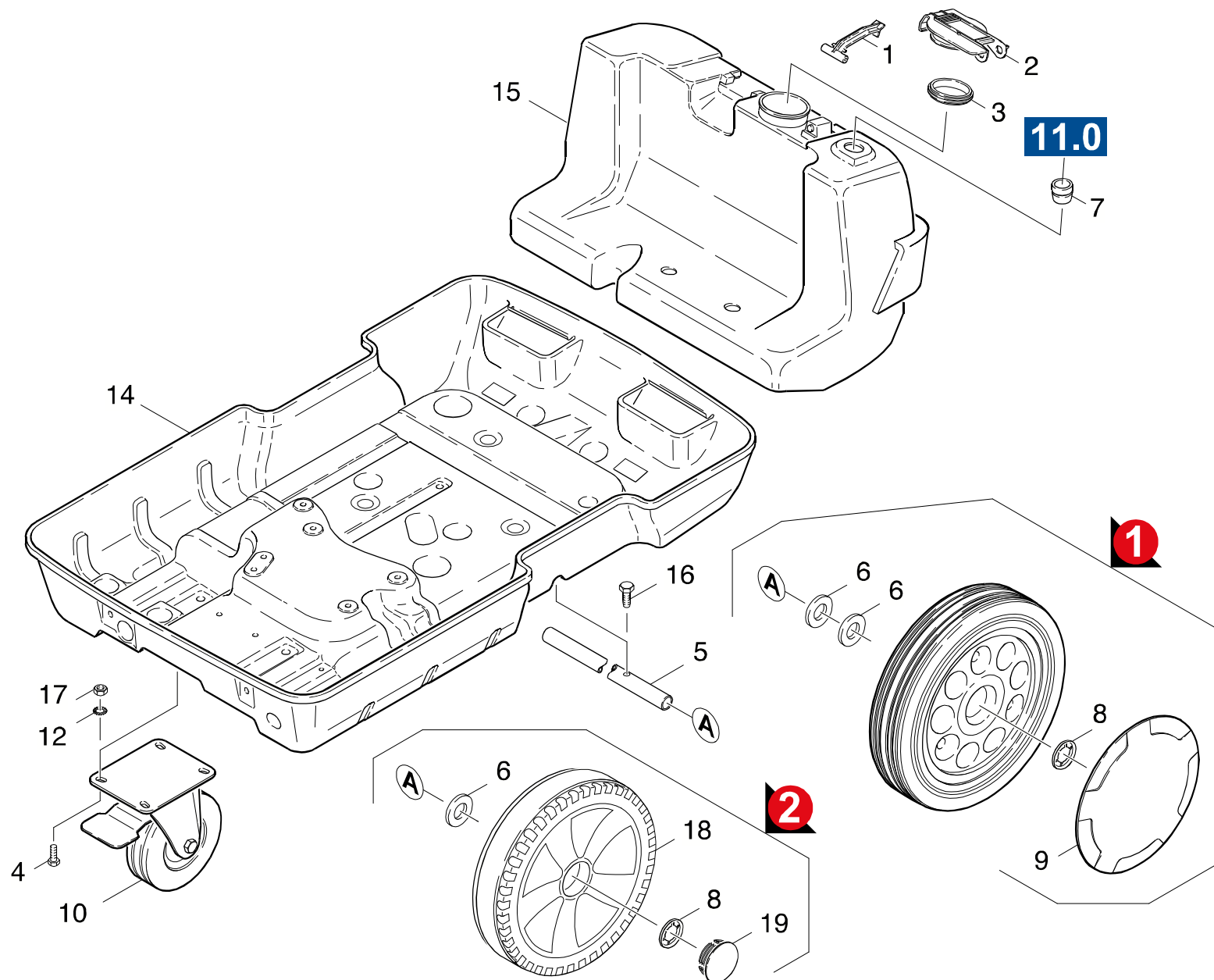
GRUPPE: 1.1 HAUBE
GROUP: 1.1 COVER
GROUPE: 1.1 CAPOT

C1

HDS 895 S

POS. ITM. POS.	BENNENUNG DESCRIPTION DESIGNATION	TEILE-NR. PART-NO. NO.PIECE	STCK QTY. NBR.
1	HAUBE / COVER / CAPOT VERSION 1	5.066-485.0	1
2	KLAPPE / FLAP / CLAPET	5.030-834.0	1
3	FORMSCHRAUBE / FORM SCREW / VIS	5.305-204.0	2
4	TANK BRENNSTOFF / TANK / RESERVOIR	5.071-048.0	1
5	GERAETEHAUBE KPL. / COVER / COUVERCLE	4.066-337.0	1
6	LINSENSCHR. M 6X 34 / OVAL HEAD SCREW / VIS A TETE BOMBEE	6.303-172.0	2
7	FILTER / FILTER / FILTRE	5.731-039.0	1
8	DICHTRING / JOINT RING / BAGUE D'ETANCHEITE	5.363-290.0	1
9	DECKEL / COVER / COUVERCLE	5.063-957.0	1
10	SCHRAUBENFEDER / HELICAL SPRING / RESSORT CYLINDRIQUE	5.332-236.0	1
11	BOLZEN / BOLT / BOULON	5.316-318.0	1
12	TRICHTER / FUNNEL / ENTONNOIR	5.013-075.0	1

"=> xxxxxx" = bis Werknummer / up to serial No. / jusqu' au No. de fabr. / "xxxxxx =>" = ab Werknummer / from serial No. / a partir du No. de fabr. /



Symbolbeschreibung siehe M16 / symbol description see M16 / désignation de système voir M16 /

GRUPPE: 1.2 GRUNDRAHMEN
GROUP: 1.2 BASE FRAME
GROUPE: 1.2 CADRE

E1

HDS 895 S

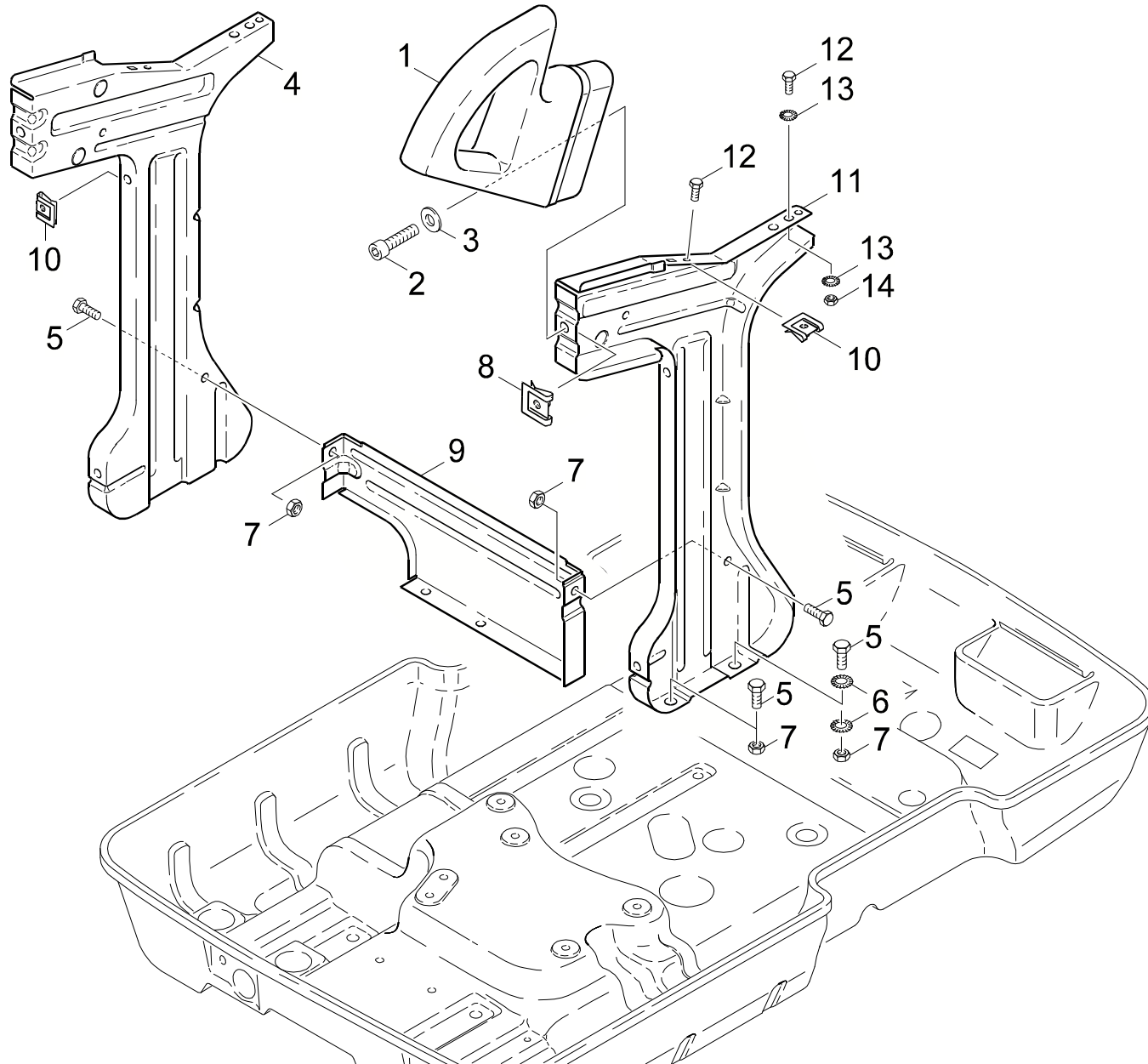
POS. ITM. POS.	BENNENUNG DESCRIPTION DESIGNATION	TEILE-NR. PART-NO. NO.PIECE	STCK QTY. NBR.
1	HALTER / BRACKET / FIXATION	5.042-463.0	1
2	DECKEL / COVER / COUVERCLE	5.063-448.0	1
3	DICHTRING / JOINT RING / BAGUE D'ETANCHEITE	5.363-300.0	1
4	6KT-SCHR. M 8X 16 / HEXAGONAL HEAD SCREW / VIS HEXAGONAL	7.304-395.0	4
5	ACHSE / AXLE / ESSIEU	5.105-163.0	1
6	SCHEIBE 24 / WASHER / RONDELLE	7.312-060.0	4
7	PROFILDICHTUNG / SEAL / ETOUPE PROFILE	5.365-147.0	1
8	SICHERUNGSSCHEIBE / LOCK WASHER / RONDELLE D'ARRET	6.343-162.0	2
9	RADKAPPE / WHEEL CAB / ENJOLIVEUR	5.392-019.0	2
10	LENKROLLE 125 / CASTOR / ROUE PIVOTANTE	6.435-071.0	1
12	ZAHNSCHEIBE A 8,4 / LOCK WASHER / ROUE PLATE	7.312-166.0	2
14	RAHMEN / FRAME / CADRE	5.050-046.0	1
15	TANK CHEM / TANK / RESERVOIR	5.071-047.0	1
16	SCHRAUBE M 8X 16 / SCREW / VIS	6.303-031.0	2
17	6KT-MUTTER M 8 / HEXAGON NUT / ECROU HEXAGONAL	7.311-004.0	4
18	RAD KPL. / WHEEL / ROUE	4.515-092.0	2
19	RADKAPPE / WHEEL CAB / ENJOLIVEUR	5.392-038.0	2

"=> xxxxxx" = bis Werknummer / up to serial No. / jusqu' au No. de fabr. / "xxxxxx =>" = ab Werknummer / from serial No. / a partir du No. de fabr. /

GRUPPE: 1.3 GRIFF
GROUP: 1.3 HANDLE
GRUPPE: 1.3 POIGNEE

F1

HDS 895 S



Symbolbeschreibung siehe M16 / symbol description see M16 / désignation de système voir M16 /

GRUPPE: 1.3 GRIFF
GROUP: 1.3 HANDLE
GROUPE: 1.3 POIGNEE

G1

HDS 895 S

POS. ITM. POS.	BENNENUNG DESCRIPTION DESIGNATION	TEILE-NR. PART-NO. NO.PIECE	STCK QTY. NBR.
1	GRIFF / HANDLE / POIGNEE	5.321-647.0	2
2	ZYL.SCHR. M 8X 45 / CHEESE HEAD SCREW / VIS A TETE CYLINDR.	7.306-049.0	2
3	SCHEIBE 8 / WASHER / RONDELLE	7.312-004.0	2
4	STAENDER LINKS / STAND / MONTANTS	5.052-033.0	1
5	6KT-SCHR. M 8X 16 / HEXAGONAL HEAD SCREW / VIS HEXAGONAL	7.304-395.0	6
6	ZAHNSCHEIBE A 8,4 / LOCK WASHER / ROUE PLATE	7.312-166.0	4
7	6KT-MUTTER M 8 / HEXAGON NUT / ECROU HEXAGONAL	7.311-004.0	6
8	STECKMUTTER M8 / NUT / ECROU	6.310-083.0	2
9	STREBE / STAY / ENTRETOISE	5.055-120.0	1
10	STECKMUTTER M6 / NUT / ECROU	6.310-082.0	4
11	STAENDER RECHTS / STAND / MONTANTS	5.052-035.0	1
12	6KT-SCHR. M 6X 12 / HEXAGONAL HEAD SCREW / VIS HEXAGONAL	7.304-382.0	4
13	ZAHNSCHEIBE A 6,4 / LOCK WASHER / ROUE PLATE	7.312-167.0	4
14	6KT-MUTTER M 6 / HEXAGON NUT / ECROU HEXAGONAL	7.311-003.0	2

"=> xxxxxx" = bis Werknummer / up to serial No. / jusqu' au No. de fabr. / "xxxxxx =>" = ab Werknummer / from serial No. / a partir du No. de fabr. /

GRUPPE: 2.0 PUMPENSATZ
GROUP: 2.0 PUMP SET
GRUPPE: 2.0 JEU (ENSEMBLE) DE POMPE

A2

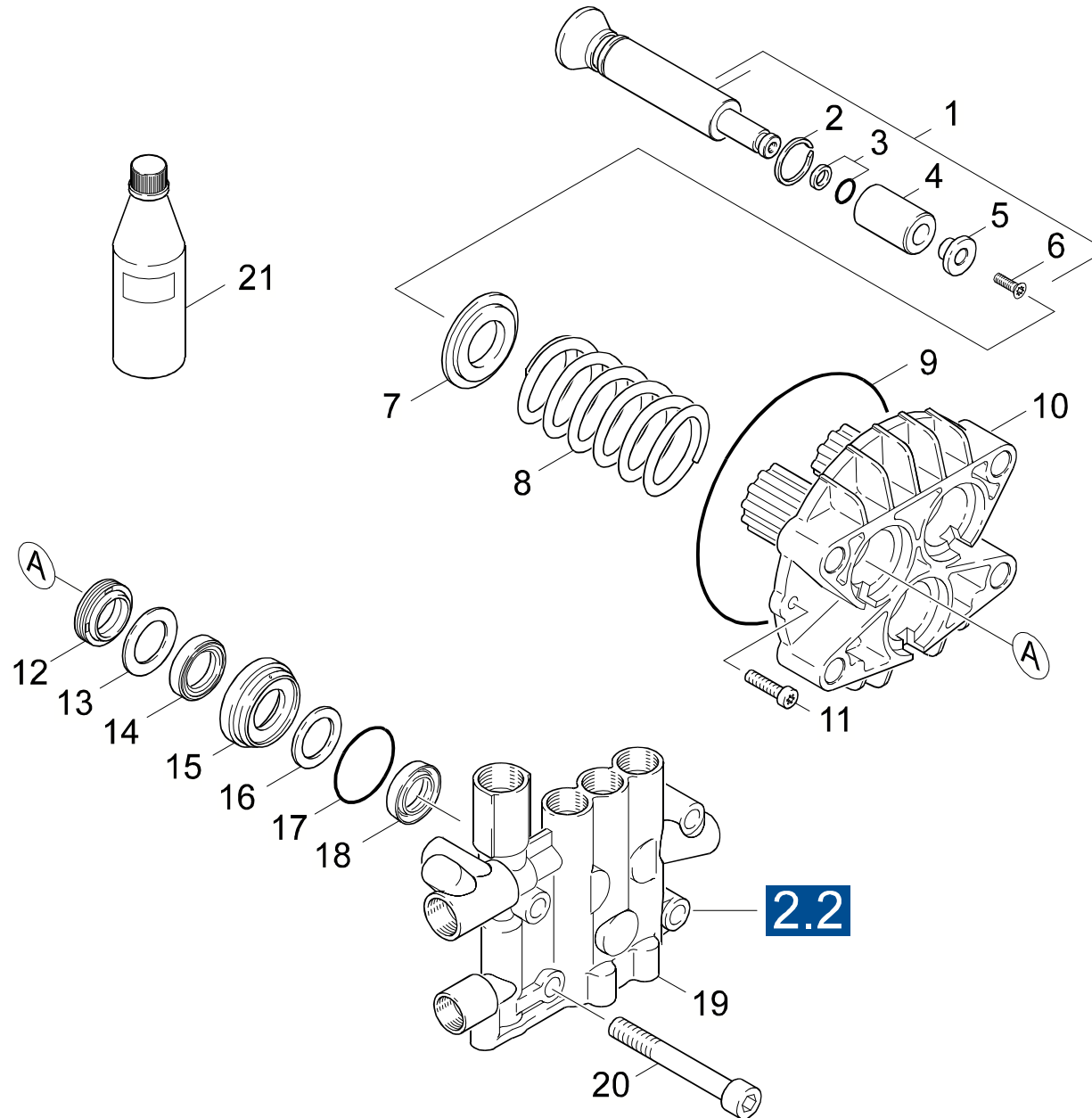
HDS 895 S

GRUPPE: 2.0 PUMPENSATZ
GROUP: 2.0 PUMP SET
GRUPPE: 2.0 JEU (ENSEMBLE) DE POMPE

GRUPPE: 2.1 KOLBEN
GROUP: 2.1 PISTON
GRUPPE: 2.1 PISTON

B2

HDS 895 S



Symbolbeschreibung siehe M16 / symbol description see M16 / désignation de système voir M16 /

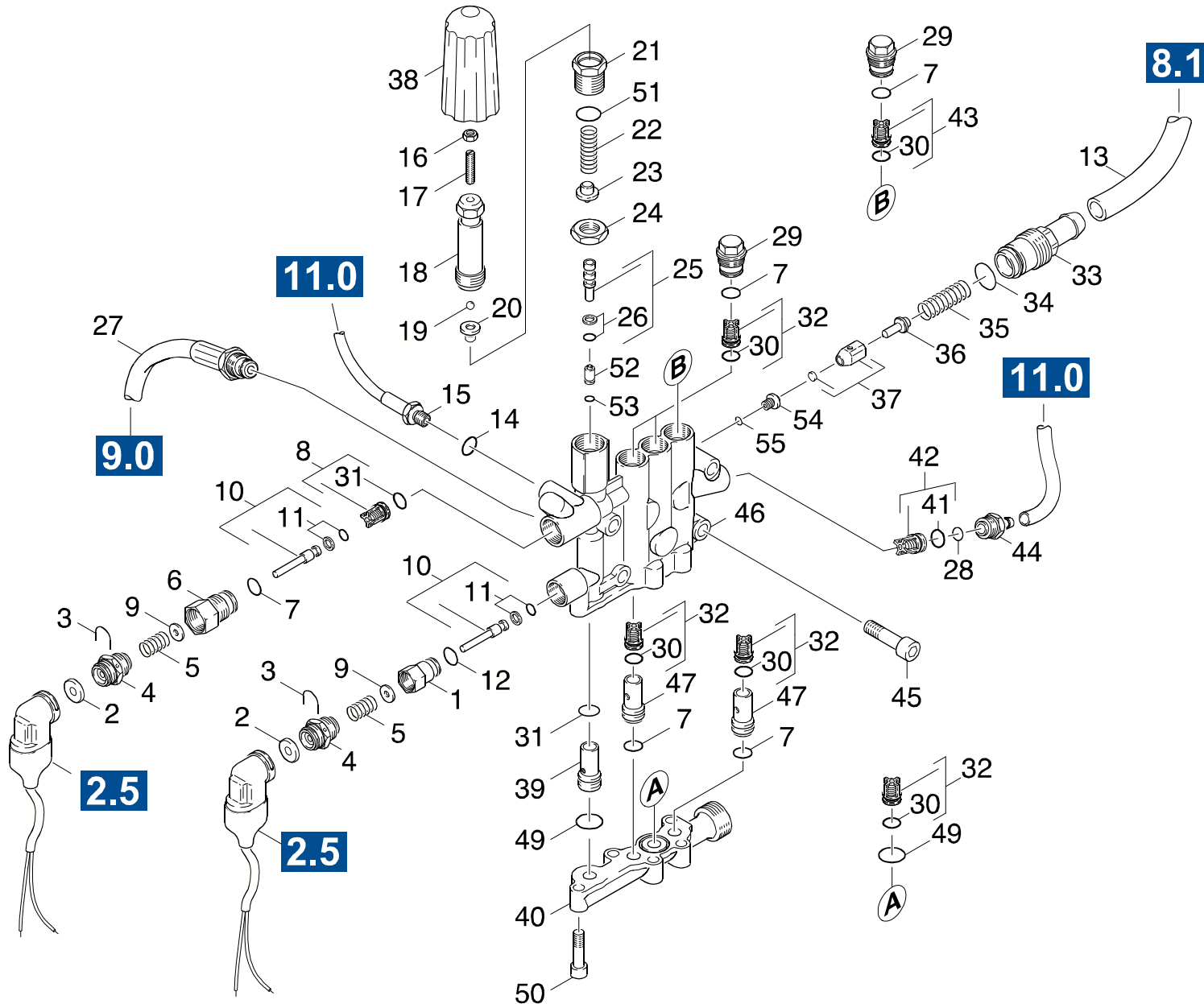
GRUPPE: 2.1 KOLBEN
GROUP: 2.1 PISTON
GROUPE: 2.1 PISTON

C2

HDS 895 S

POS. ITM. POS.	BENNENUNG DESCRIPTION DESIGNATION	TEILE-NR. PART-NO. NO.PIECE	STCK QTY. NBR.
1	KOLBEN KPL. / PISTON / PISTON	4.553-210.0	3
2	SPRENGRING 20 / RETAINER / CIRCLIP	6.472-331.0	3
3	O-RING KPL./1ST.-R. / GASKET / BAQUE D'ETANCHEITE	6.362-365.0	3
4	KERAMIKHUELSE / CERAMIC POD / DOUILLE CERAMIQUE	5.110-220.0	3
5	SCHEIBE / WASHER / RONDELLE	5.115-358.0	3
6	SENKSCHR. M 5X 20 / FLAT HEADED SCREW / VIS A TETE CONIQUE	7.305-050.0	3
7	SCHEIBE / WASHER / RONDELLE	5.115-539.0	3
8	SCHRAUBENFEDER / HELICAL SPRING / RESSORT CYLINDRIQUE	5.332-289.0	3
9	O-RING 107,62X 2,62 / GASKET / BAQUE D'ETANCHEITE	6.362-796.0	1
10	GEHAEUSE / HOUSING / BOITIER	5.060-432.0	1
11	SCHRAUBE M 6X 30 / SCREW / VIS	7.306-105.0	2
12	NUTRING 20X28X6/8 / GROOVED RING / JOINT A LEVRES	6.365-052.0	3
13	SCHEIBE / WASHER / RONDELLE	5.115-537.0	3
14	KOMPAKTDI. 20X30X6 / SEAL / JOINT	6.365-053.0	3
15	BUCHSE / BUSH / DOUILLE	5.112-420.0	3
16	SCHEIBE / WASHER / RONDELLE	5.115-538.0	3
17	O-RING 36,0 X 2,0 / GASKET / BAQUE D'ETANCHEITE	6.362-092.0	3
18	NUTRING / GROOVED RING / JOINT A LEVRES	6.365-330.0	3
19	ZYLINDERKOPF KPL. / CYLINDER HEAD / CULASSE	4.550-535.0	1
20	ZYL.SCHR. M12X100 / CHEESE HEAD SCREW / VIS A TETE CYLINDR.	7.306-155.0	4
21	GETRIEBEOEL 1L / GEAR LUBRICANT OIL / HUILE A ENGRENAGES	6.288-016.0	1
100	ET-SET PUMPE / SPARE PARTS SET / JEU DE PIECES DECHANGE	2.883-913.0	1

"=> xxxxxx" = bis Werknummer / up to serial No. / jusqu' au No. de fabr. / "xxxxxx =>" = ab Werknummer / from serial No. / a partir du No. de fabr. /



Symbolbeschreibung siehe M16 / symbol description see M16 / désignation de système voir M16 /

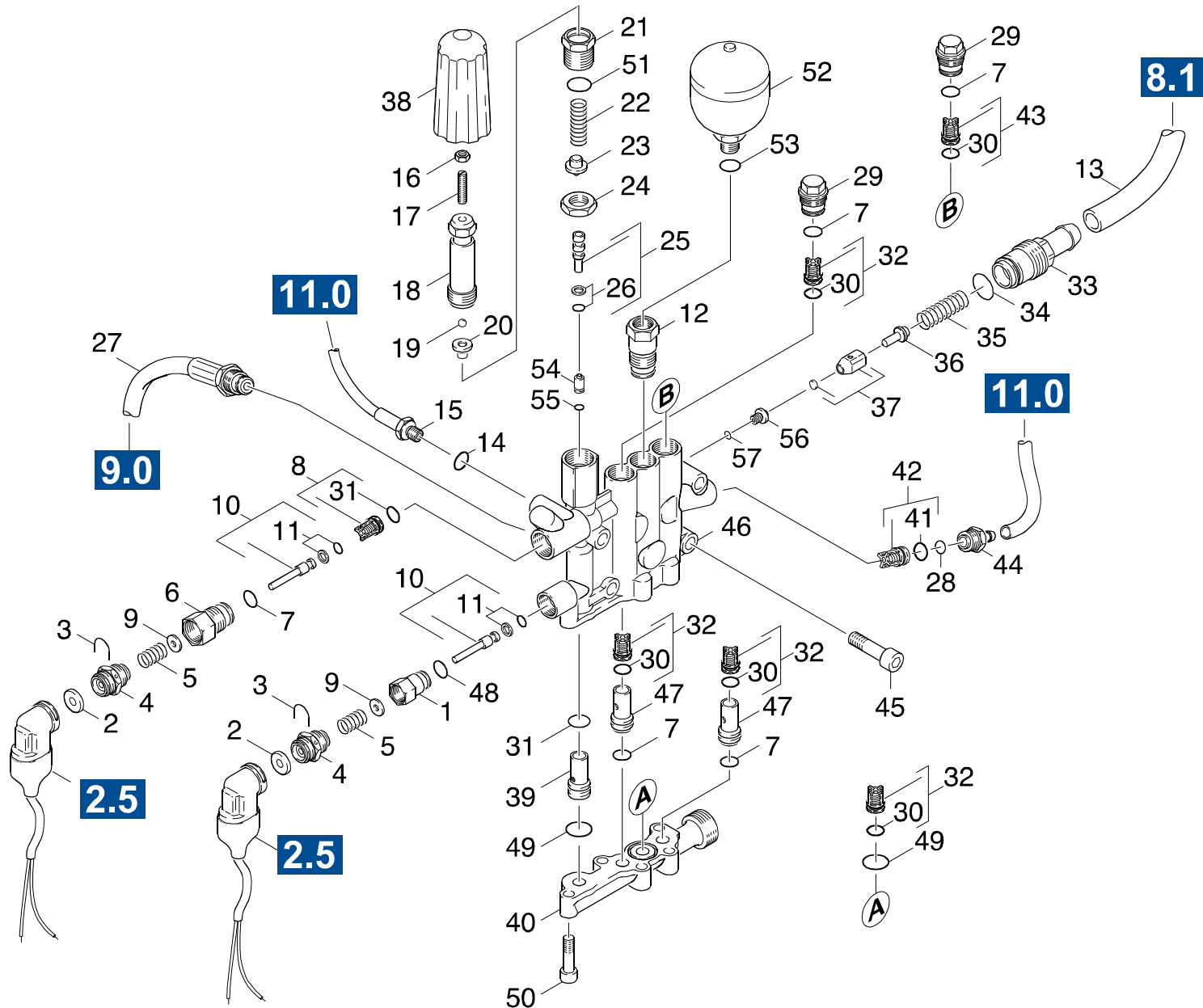
GRUPPE: 2.2 ZYLINDERKOPF / VERSION 1 /
 GROUP: 2.2 CYLINDER HEAD / VERSION 1 /
 GROUPE: 2.2 CULASSE / VERSION 1 /

E2

HDS 895 S

POS. ITM. POS.	BENNENNUNG DESCRIPTION DESIGNATION	TEILE-NR. PART-NO. NO.PIECE	STCK QTY. NBR.	POS. ITM. POS.	BENNENNUNG DESCRIPTION DESIGNATION	TEILE-NR. PART-NO. NO.PIECE	STCK QTY. NBR.
1	VERBINDUNGSSTUECK / JOINING PIECE / PIECE DE JUNCTION	5.402-705.0	1	33	VENTILSCHRAUBE / VALVE SCREW / VIS POINTEAU (SOUP.)	5.583-168.0	1
2	MEMBRANE / DIAPHRAGM / MEMBRANE	5.367-030.0	2	34	O-RING 12,0 X 2,0 / GASKET / BAQUE D'ETANCHEITE	6.362-169.0	1
3	BUEGEL / STRAP / ETRIER	5.034-494.0	2	35	SCHRAUBENFEDER / HELICAL SPRING / RESSORT CYLINDRIQUE	5.332-473.0	1
4	VERSCHLUSSSCHRAUBE / CLOSING SCREW / VIS DE FERMETURE	5.411-148.0	2	36	VENTILBOLZEN / VALVE PIN / BOULON DE SOUPAPE	5.584-122.0	1
5	SCHRAUBENFEDER / HELICAL SPRING / RESSORT CYLINDRIQUE	5.332-268.0	2	37	VENTILTELLER KPL. / VALVE DISC / TETE DE SOUPAPE	4.582-019.0	1
6	VENTILSCHRAUBE / VALVE SCREW / VIS POINTEAU (SOUP.)	5.583-161.0	1	38	DREHGRIF / HANDLE / POIGNEE	5.321-579.0	1
7	O-RING 14,0 X 2,0 / GASKET / BAQUE D'ETANCHEITE	6.362-481.0	6	39	HUELSE / SLEEVE / DOUILLE	5.110-865.0	1
8	VENTIL KPL. / VALVE / SOUPAPE	4.580-262.0	1	40	VENTILGEHAEUSE / VALVE HOUSING / CORPS DE SOUPAPE	5.587-202.0	1
9	SCHEIBE / WASHER / RONDELLE	5.115-796.0	2	41	O-RING 10 X 2,2 / GASKET / BAQUE D'ETANCHEITE	6.362-077.0	1
10	KOLBEN KPL. / PISTON / PISTON	4.553-197.0	2	42	VENTIL KOMPL. / VALVE / SOUPAPE	4.580-349.0	1
11	O-RING KPL./1ST.-R. / GASKET / BAQUE D'ETANCHEITE	6.362-368.0	2	43	VENTIL KPL. M.SCHLITZ / VALVE / SOUPAPE	4.580-589.0	1
12	O-RING 4,47X 1,78 / GASKET / BAQUE D'ETANCHEITE	6.362-853.0	1	44	SCHLAUCHNIPPEL / HOSE STEM / RACCORD DE FLEXIBLE	5.443-474.0	1
13	SCHLAUCH DN15 / HOSE / TUYAU FLEXIBLE	6.388-167.0	1	45	ZYL.SCHR. M12X100 / CHEESE HEAD SCREW / VIS A TETE CYLINDR.	7.306-155.0	4
	ALS METERWARE BESTELLEN/TO ORDER AS CUT GOODS/COMMANDE COMME MARCHANDISE AU METRE / 1.027-301.0 / -302.0 / -304.0 / -305.0 / -307.0			46	ZYLINDERKOPF KPL. / CYLINDER HEAD / CULASSE	4.550-535.0	1
				47	HUELSE / SLEEVE / DOUILLE	5.110-853.0	2
				49	O-RING 20,0 X 1,5 / GASKET / BAQUE D'ETANCHEITE	6.362-547.0	2
				50	ZYL.SCHR. M 8X 30 / CHEESE HEAD SCREW / VIS A TETE CYLINDR.	7.306-043.0	5
14	DICHTRING 10 X13,5 / JOINT RING / BAGUE D'ETANCHEITE	7.362-003.0	1	51	O-RING 18,0 X 2,5 / GASKET / BAQUE D'ETANCHEITE	6.362-079.0	1
15	HD-SCHLAUCH / HIGH PRESSURE HOSE / TUYAU FLEXIBLE HAUTE PRE.	6.389-635.0	1	52	VENTILSITZ / VALVE SEAT / SIEGE DE SOUPAPE	5.581-239.0	1
16	6KT-MUTTER M 5 / HEXAGON NUT / ECROU HEXAGONAL	7.311-002.0	1	53	O-RING 5 X 1,5 / GASKET / BAQUE D'ETANCHEITE	6.362-386.0	1
17	GEW.STIFT M 5X 40 / THREADED PIN / VIS SANS TETE	7.307-017.0	1	54	VENTILSITZ / VALVE SEAT / SIEGE DE SOUPAPE	5.581-231.0	1
18	6KT SCHRAUBE / HEXAGON / HEXAGONAL	5.304-070.0	1	55	O-RING 6,0 X 1,5 / GASKET / BAQUE D'ETANCHEITE	6.362-703.0	1
19	KUGEL 5,0 KL3 / BALL / BOULE	7.401-931.0	1	100	ET-SET PUMPE / SPARE PARTS SET / JEU DE PIECES DECHANGE	2.883-913.0	1
20	VENTILTELLER / VALVE DISC / TETE DE SOUPAPE	5.582-121.0	1				
21	HOHLSCHRAUBE / HOLLOW SCREW / BOULON CREUX	5.404-082.0	1				
22	SCHRAUBENFEDER / HELICAL SPRING / RESSORT CYLINDRIQUE	5.332-444.0	1				
23	VENTILBOLZEN / VALVE PIN / BOULON DE SOUPAPE	5.584-114.0	1				
24	6KT MUTTER / HEXAGON / HEXAGONAL	5.311-204.0	1				
25	KOLBEN KPL. / PISTON / PISTON	4.553-198.0	1				
26	O-RING KPL./1ST.-R. / GASKET / BAQUE D'ETANCHEITE	6.362-468.0	1				
27	SCHLAUCH SDS / HOSE / TUYAU FLEXIBLE	4.440-766.0	1				
28	O-RING 10,0 X 2,0 / GASKET / BAQUE D'ETANCHEITE	6.362-151.0	1				
29	VENTILSCHRAUBE / VALVE SCREW / VIS POINTEAU (SOUP.)	5.583-146.0	3				
30	O-RING 13,0 X 2,0 / GASKET / BAQUE D'ETANCHEITE	6.363-003.0	6				
31	O-RING 13,0 X 2,0 / GASKET / BAQUE D'ETANCHEITE	6.362-381.0	2				
32	VENTIL KPL. / VALVE / SOUPAPE	4.580-329.0	5				

"=> xxxxxx" = bis Werknummer / up to serial No. / jusqu' au No. de fabr. / "xxxxxx =>" = ab Werknummer / from serial No. / a partir du No. de fabr. /



Symbolbeschreibung siehe M16 / symbol description see M16 / désignation de système voir M16 /

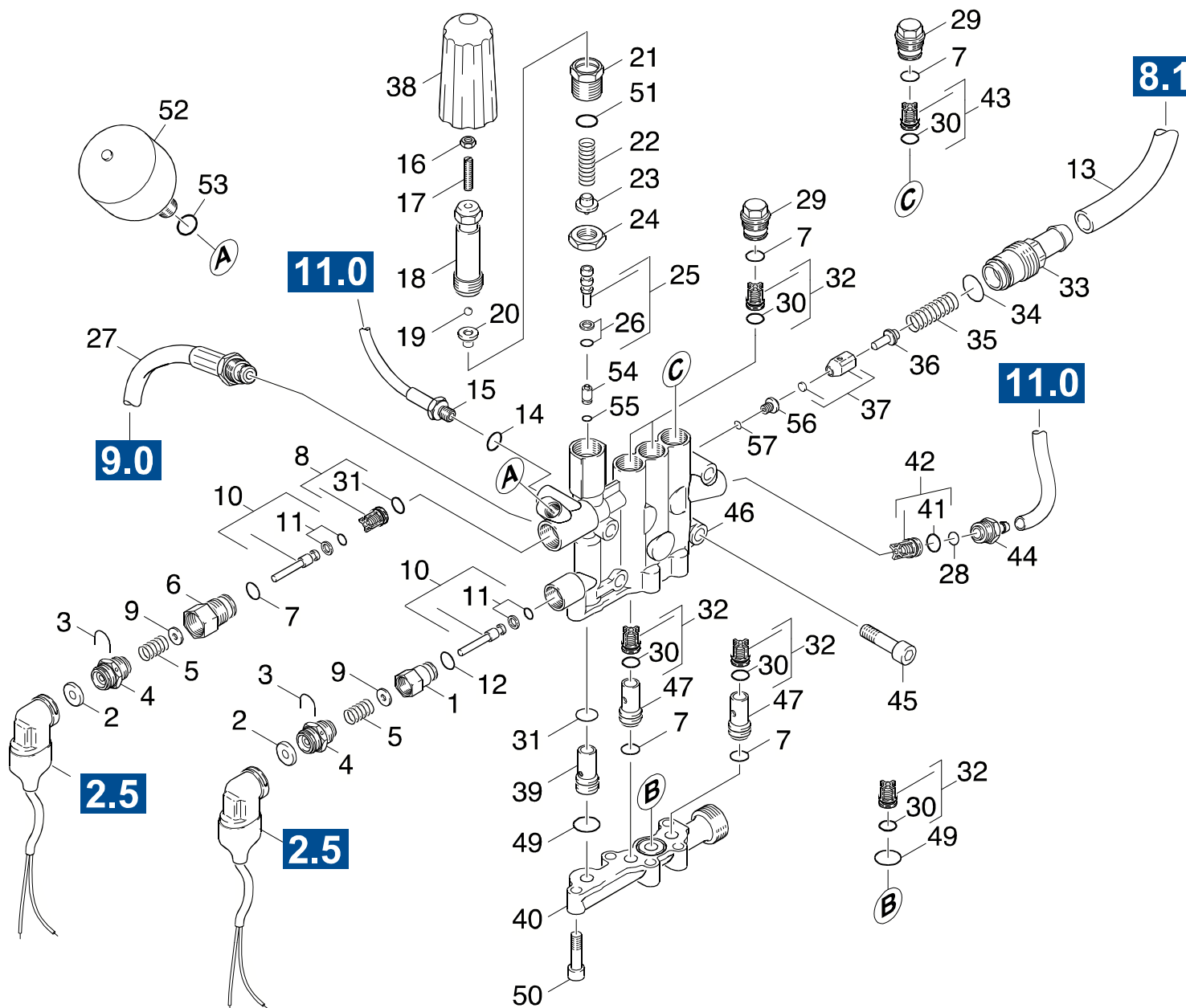
GRUPPE: 2.3 ZYLINDERKOPF / VERSION 2 /
 GROUP: 2.3 CYLINDER HEAD / VERSION 2 /
 GROUPE: 2.3 CULASSE / VERSION 2 /

G2

HDS 895 S

POS. ITM. POS.	BENNENNUNG DESCRIPTION DESIGNATION	TEILE-NR. PART-NO. NO.PIECE	STCK QTY. NBR.	POS. ITM. POS.	BENNENNUNG DESCRIPTION DESIGNATION	TEILE-NR. PART-NO. NO.PIECE	STCK QTY. NBR.
1	VERBINDUNGSSTUECK / JOINING PIECE / PIECE DE JONCTION	5.402-705.0	1	34	O-RING 12,0 X 2,0 / GASKET / BAQUE D'ETANCHEITE	6.362-169.0	1
2	MEMBRANE / DIAPHRAGM / MEMBRANE	5.367-030.0	2	35	SCHRAUBENFEDER / HELICAL SPRING / RESSORT CYLINDRIQUE	5.332-473.0	1
3	BUEGEL / STRAP / ETRIER	5.034-494.0	2	36	VENTILBOLZEN / VALVE PIN / BOULON DE SOUPAPE	5.584-122.0	1
4	VERSCHLUSSSCHRAUBE / CLOSING SCREW / VIS DE FERMETURE	5.411-148.0	2	37	VENTILTELLER KPL. / VALVE DISC / TETE DE SOUPAPE	4.582-019.0	1
5	SCHRAUBENFEDER / HELICAL SPRING / RESSORT CYLINDRIQUE	5.332-268.0	2	38	DREHGRIFF / HANDLE / POIGNEE	5.321-579.0	1
6	VENTILSCHRAUBE / VALVE SCREW / VIS POINTEAU (SOUP.)	5.583-161.0	1	39	HUELSE / SLEEVE / DOUILLE	5.110-865.0	1
7	O-RING 14,0 X 2,0 / GASKET / BAQUE D'ETANCHEITE	6.362-481.0	6	40	VENTILGEHAEUSE / VALVE HOUSING / CORPS DE SOUPAPE	5.587-202.0	1
8	VENTIL KPL. / VALVE / SOUPAPE	4.580-262.0	1	41	O-RING 10 X 2,2 / GASKET / BAQUE D'ETANCHEITE	6.362-077.0	1
9	SCHEIBE / WASHER / RONDELLE	5.115-796.0	2	42	VENTIL KOMPL. / VALVE / SOUPAPE	4.580-349.0	1
10	KOLBEN KPL. / PISTON / PISTON	4.553-197.0	2	43	VENTIL KPL. M.SCHLITZ / VALVE / SOUPAPE	4.580-589.0	1
11	O-RING KPL./1ST.-R. / GASKET / BAQUE D'ETANCHEITE	6.362-368.0	2	44	SCHLAUCHNIPPEL / HOSE STEM / RACCORD DE FLEXIBLE	5.443-474.0	1
12	VENTILSCHRAUBE / VALVE SCREW / VIS POINTEAU (SOUP.)	5.583-170.0	1	45	ZYL.SCHR. M12X100 / CHEESE HEAD SCREW / VIS A TETE CYLINDR.	7.306-155.0	4
13	SCHLAUCH DN15 / HOSE / TUYAU FLEXIBLE	6.388-167.0	1	46	ZYLINDERKOPF KPL. / CYLINDER HEAD / CULASSE	4.550-535.0	1
ALS METERWARE BESTELLEN/TO ORDER AS CUT GOODS/COMMANDE COMME MARCHANDISE AU METRE				47	HUELSE / SLEEVE / DOUILLE	5.110-853.0	2
14	DICHTRING 10 X13,5 / JOINT RING / BAGUE D'ETANCHEITE	7.362-003.0	1	48	O-RING 4,47X 1,78 / GASKET / BAQUE D'ETANCHEITE	6.362-853.0	1
15	HD-SCHLAUCH / HIGH PRESSURE HOSE / TUYAU FLEXIBLE HAUTE PRE.	6.389-635.0	1	49	O-RING 20,0 X 1,5 / GASKET / BAQUE D'ETANCHEITE	6.362-547.0	2
16	6KT-MUTTER M 5 / HEXAGON NUT / ECROU HEXAGONAL	7.311-002.0	1	50	ZYL.SCHR. M 8X 30 / CHEESE HEAD SCREW / VIS A TETE CYLINDR.	7.306-043.0	5
17	GEW.STIFT M 5X 40 / THREADED PIN / VIS SANS TETE	7.307-017.0	1	51	O-RING 18,0 X 2,5 / GASKET / BAQUE D'ETANCHEITE	6.362-079.0	1
18	6KT SCHRAUBE / HEXAGON / HEXAGONAL	5.304-070.0	1	52	DRUCKSPEICHER / PULSATION DAMPER / ANTI-BELIER	6.505-025.0	1
19	KUGEL 5,0 KL3 / BALL / BOULE	7.401-931.0	1	53	DICHTRING 14 X18 / JOINT RING / BAGUE D'ETANCHEITE	7.362-005.0	1
20	VENTILTELLER / VALVE DISC / TETE DE SOUPAPE	5.582-121.0	1	54	VENTILSITZ / VALVE SEAT / SIEGE DE SOUPAPE	5.581-239.0	1
21	HOHLSCHRAUBE / HOLLOW SCREW / BOULON CREUX	5.404-082.0	1	55	O-RING 5 X 1,5 / GASKET / BAQUE D'ETANCHEITE	6.362-386.0	1
22	SCHRAUBENFEDER / HELICAL SPRING / RESSORT CYLINDRIQUE	5.332-444.0	1	56	VENTILSITZ / VALVE SEAT / SIEGE DE SOUPAPE	5.581-231.0	1
23	VENTILBOLZEN / VALVE PIN / BOULON DE SOUPAPE	5.584-114.0	1	57	O-RING 6,0 X 1,5 / GASKET / BAQUE D'ETANCHEITE	6.362-703.0	1
24	6KT MUTTER / HEXAGON / HEXAGONAL	5.311-204.0	1	100	ET-SET PUMPE / SPARE PARTS SET / JEU DE PIECES DECHANGE	2.883-913.0	1
25	KOLBEN KPL. / PISTON / PISTON	4.553-198.0	1				
26	O-RING KPL./1ST.-R. / GASKET / BAQUE D'ETANCHEITE	6.362-468.0	1				
27	SCHLAUCH SDS / HOSE / TUYAU FLEXIBLE	4.440-766.0	1				
28	O-RING 10,0 X 2,0 / GASKET / BAQUE D'ETANCHEITE	6.362-151.0	1				
29	VENTILSCHRAUBE / VALVE SCREW / VIS POINTEAU (SOUP.)	5.583-146.0	3				
30	O-RING 13,0 X 2,0 / GASKET / BAQUE D'ETANCHEITE	6.363-003.0	6				
31	O-RING 13,0 X 2,0 / GASKET / BAQUE D'ETANCHEITE	6.362-381.0	2				
32	VENTIL KPL. / VALVE / SOUPAPE	4.580-329.0	5				
33	VENTILSCHRAUBE / VALVE SCREW / VIS POINTEAU (SOUP.)	5.583-168.0	1				

"=> xxxxxx" = bis Werknummer / up to serial No. / jusqu' au No. de fabr. / "xxxxxx =>" = ab Werknummer / from serial No. / a partir du No. de fabr. /



Symbolbeschreibung siehe M16 / symbol description see M16 / désignation de système voir M16 /

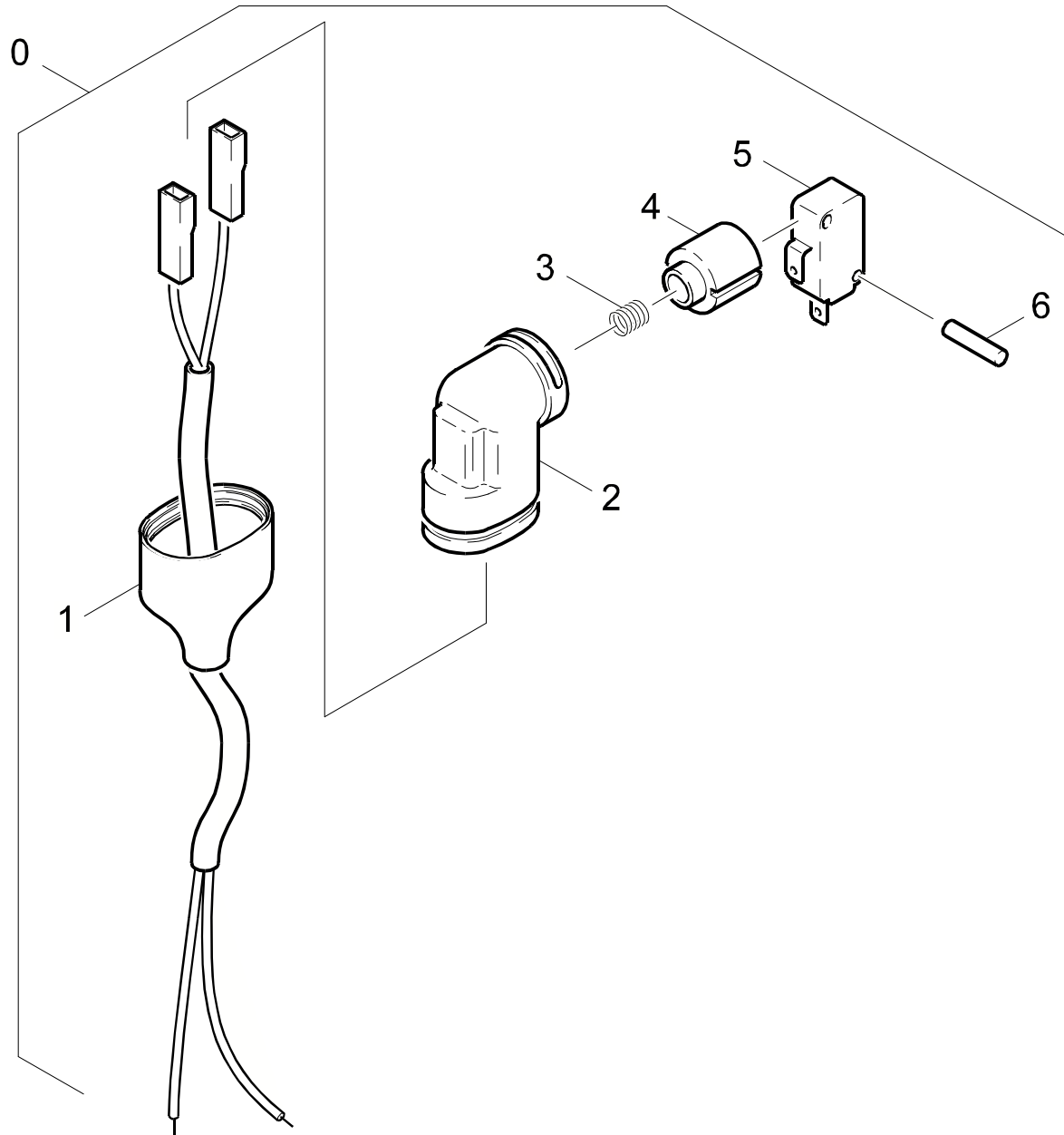
GRUPPE: 2.4 ZYLINDERKOPF / VERSION 3 /
 GROUP: 2.4 CYLINDER HEAD / VERSION 3 /
 GROUPE: 2.4 CULASSE / VERSION 3 /

12

HDS 895 S

POS. ITM. POS.	BENNENNUNG DESCRIPTION DESIGNATION	TEILE-NR. PART-NO. NO.PIECE	STCK QTY. NBR.	POS. ITM. POS.	BENNENNUNG DESCRIPTION DESIGNATION	TEILE-NR. PART-NO. NO.PIECE	STCK QTY. NBR.
1	VERBINDUNGSSTUECK / JOINING PIECE / PIECE DE JUNCTION	5.402-705.0	1	34	O-RING 12,0 X 2,0 / GASKET / BAQUE D'ETANCHEITE	6.362-169.0	1
2	MEMBRANE / DIAPHRAGM / MEMBRANE	5.367-030.0	2	35	SCHRAUBENFEDER / HELICAL SPRING / RESSORT CYLINDRIQUE	5.332-473.0	1
3	BUEGEL / STRAP / ETRIER	5.034-494.0	2	36	VENTILBOLZEN / VALVE PIN / BOULON DE SOUPAPE	5.584-122.0	1
4	VERSCHLUSSCHRAUBE / CLOSING SCREW / VIS DE FERMETURE	5.411-148.0	2	37	VENTILTELLER KPL. / VALVE DISC / TETE DE SOUPAPE	4.582-019.0	1
5	SCHRAUBENFEDER / HELICAL SPRING / RESSORT CYLINDRIQUE	5.332-268.0	2	38	DREHGRIFF / HANDLE / POIGNEE	5.321-579.0	1
6	VENTILSCHRAUBE / VALVE SCREW / VIS POINTEAU (SOUP.)	5.583-161.0	1	39	HUELSE / SLEEVE / DOUILLE	5.110-865.0	1
7	O-RING 14,0 X 2,0 / GASKET / BAQUE D'ETANCHEITE	6.362-481.0	6	40	VENTILGEHAEUSE / VALVE HOUSING / CORPS DE SOUPAPE	5.587-202.0	1
8	VENTIL KPL. / VALVE / SOUPAPE	4.580-262.0	1	41	O-RING 10 X 2,2 / GASKET / BAQUE D'ETANCHEITE	6.362-077.0	1
9	SCHEIBE / WASHER / RONDELLE	5.115-796.0	2	42	VENTIL KOMPL. / VALVE / SOUPAPE	4.580-349.0	1
10	KOLBEN KPL. / PISTON / PISTON	4.553-197.0	2	43	VENTIL KPL. M.SCHLITZ / VALVE / SOUPAPE	4.580-589.0	1
11	O-RING KPL./1ST.-R. / GASKET / BAQUE D'ETANCHEITE	6.362-368.0	2	44	SCHLAUCHNIPPEL / HOSE STEM / RACCORD DE FLEXIBLE	5.443-474.0	1
12	O-RING 4,47X 1,78 / GASKET / BAQUE D'ETANCHEITE	6.362-853.0	1	45	ZYL.SCHR. M12X100 / CHEESE HEAD SCREW / VIS A TETE CYLINDR.	7.306-155.0	4
13	SCHLAUCH DN15 / HOSE / TUYAU FLEXIBLE	6.388-167.0	1	46	ZYLINDERKOPF KPL. / CYLINDER HEAD / CULASSE	4.550-607.0	1
	ALS METERWARE BESTELLEN/TO ORDER AS CUT GOODS/COMMANDE COMME MARCHANDISE AU METRE			47	HUELSE / SLEEVE / DOUILLE	5.110-853.0	2
14	DICHTRING 10 X13,5 / JOINT RING / BAGUE D'ETANCHEITE	7.362-003.0	1	49	O-RING 20,0 X 1,5 / GASKET / BAQUE D'ETANCHEITE	6.362-547.0	2
15	HD-SCHLAUCH / HIGH PRESSURE HOSE / TUYAU FLEXIBLE HAUTE PRE.	6.389-635.0	1	50	ZYL.SCHR. M 8X 30 / CHEESE HEAD SCREW / VIS A TETE CYLINDR.	7.306-043.0	5
16	6KT-MUTTER M 5 / HEXAGON NUT / ECROU HEXAGONAL	7.311-002.0	1	51	O-RING 18,0 X 2,5 / GASKET / BAQUE D'ETANCHEITE	6.362-079.0	1
17	GEW.STIFT M 5X 40 / THREADED PIN / VIS SANS TETE	7.307-017.0	1	52	DRUCKSPEICHER / PULSATION DAMPER / ANTI-BELIER	6.505-054.0	1
18	6KT SCHRAUBE / HEXAGON / HEXAGONAL	5.304-070.0	1	53	O-RING 6,07X 1,78 / GASKET / BAQUE D'ETANCHEITE	6.362-176.0	1
19	KUGEL 5,0 KL3 / BALL / BOULE	7.401-931.0	1	54	VENTILSITZ / VALVE SEAT / SIEGE DE SOUPAPE	5.581-239.0	1
20	VENTILTELLER / VALVE DISC / TETE DE SOUPAPE	5.582-121.0	1	55	O-RING 5 X 1,5 / GASKET / BAQUE D'ETANCHEITE	6.362-386.0	1
21	HOHLSCHRAUBE / HOLLOW SCREW / BOULON CREUX	5.404-082.0	1	56	VENTILSITZ / VALVE SEAT / SIEGE DE SOUPAPE	5.581-231.0	1
22	SCHRAUBENFEDER / HELICAL SPRING / RESSORT CYLINDRIQUE	5.332-444.0	1	57	O-RING 6,0 X 1,5 / GASKET / BAQUE D'ETANCHEITE	6.362-703.0	1
23	VENTILBOLZEN / VALVE PIN / BOULON DE SOUPAPE	5.584-114.0	1	100	ET-SET PUMPE / SPARE PARTS SET / JEU DE PIECES DECHANGE	2.883-913.0	1
24	6KT MUTTER / HEXAGON / HEXAGONAL	5.311-204.0	1				
25	KOLBEN KPL. / PISTON / PISTON	4.553-198.0	1				
26	O-RING KPL./1ST.-R. / GASKET / BAQUE D'ETANCHEITE	6.362-468.0	1				
27	SCHLAUCH SDS / HOSE / TUYAU FLEXIBLE	4.440-766.0	1				
28	O-RING 10,0 X 2,0 / GASKET / BAQUE D'ETANCHEITE	6.362-151.0	1				
29	VENTILSCHRAUBE / VALVE SCREW / VIS POINTEAU (SOUP.)	5.583-146.0	3				
30	O-RING 13,0 X 2,0 / GASKET / BAQUE D'ETANCHEITE	6.363-003.0	6				
31	O-RING 13,0 X 2,0 / GASKET / BAQUE D'ETANCHEITE	6.362-381.0	2				
32	VENTIL KPL. / VALVE / SOUPAPE	4.580-329.0	5				
33	VENTILSCHRAUBE / VALVE SCREW / VIS POINTEAU (SOUP.)	5.583-168.0	1				

"=> xxxxxx" = bis Werknummer / up to serial No. / jusqu' au No. de fabr. / "xxxxxx =>" = ab Werknummer / from serial No. / a partir du No. de fabr. /



Symbolbeschreibung siehe M16 / symbol description see M16 / désignation de système voir M16 /

GRUPPE: 2.5 SCHALTER
GROUP: 2.5 SWITCH
GRUPPE: 2.5 INTERRUPTEUR

K2

HDS 895 S

POS. ITM. POS.	BENNENNUNG DESCRIPTION DESIGNATION	TEILE-NR. PART-NO. NO.PIECE	STCK QTY. NBR.
0	SCHALTER KPL. / SWITCH / INTERRUPTEUR	4.744-134.0	2
1	STUEWKABEL / TRAILING CABLE / PENDENTIF	6.648-111.0	1
2	HALTER / BRACKET / FIXATION	5.042-860.0	1
3	FEDER / SPRING / RESSORT	5.332-322.0	1
4	KONSOLE / BRACKET / CONSOLE	5.053-051.0	1
5	MIKROSCHALTER / MICRO SWITCH / MICRORUPTEUR	6.631-807.0	1
6	ZYL.KERBSTI. 3,0X20 / GROOVED PIN / GOUPILLE CAN.	7.314-664.0	1

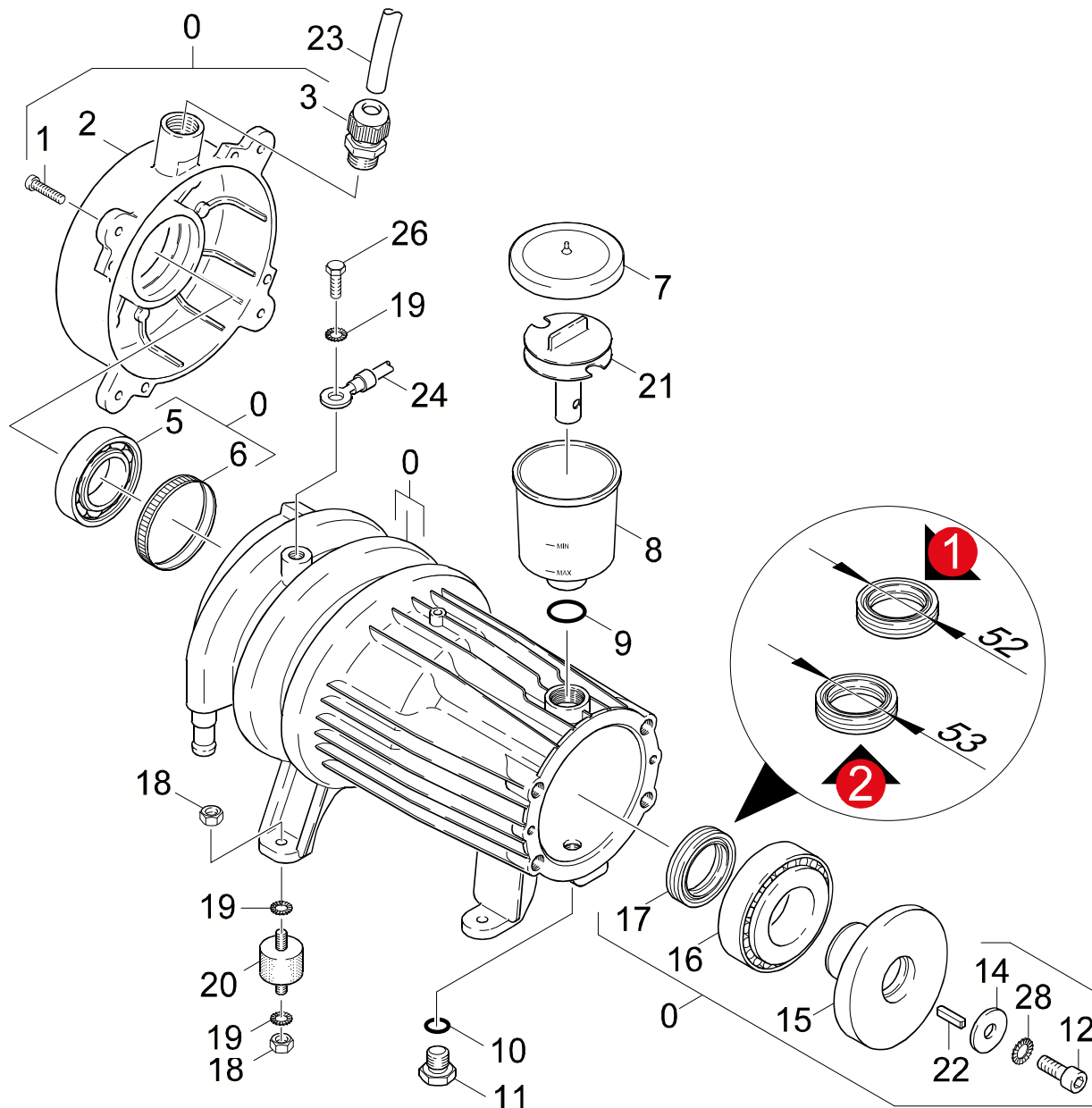
"=> xxxxxx" = bis Werknummer / up to serial No. / jusqu' au No. de fabr. / "xxxxxx =>" = ab Werknummer / from serial No. / a partir du No. de fabr. /

GRUPPE: 3.0 MOTOR
GROUP: 3.0 MOTOR
GRUPPE: 3.0 MOTEUR

A3

HDS 895 S

GRUPPE: 3.0 MOTOR
GROUP: 3.0 MOTOR
GRUPPE: 3.0 MOTEUR



Symbolbeschreibung siehe M16 / symbol description see M16 / désignation de système voir M16 /

GRUPPE: 3.0 MOTOR
 GROUP: 3.0 MOTOR
 GROUPE: 3.0 MOTEUR

C3

HDS 895 S

POS. ITM. POS.	BENNENUNNG DESCRIPTION DESIGNATION	TEILE-NR. PART-NO. NO.PIECE	STCK QTY. NBR.	POS. ITM. POS.	BENNENUNNG DESCRIPTION DESIGNATION	TEILE-NR. PART-NO. NO.PIECE	STCK QTY. NBR.
0	MOTOR KPL. / MOTOR / MOTEUR / 1.027-301.0 / -302.0 / -305.0 / -306.0 / -307.0 / -312.0 / -314.0 / -320.0 / -321.0	4.623-477.0	1	24	KABEL / CABLE / CABLE	4.820-430.0	1
0	MOTOR KPL. / MOTOR / MOTEUR / 1.027-304.0 / -313.0	4.623-534.0	1	26	SCHRAUBE M 8X 16 / SCREW / VIS	6.303-031.0	1
1	SCHRAUBE M 6X 20 / SCREW / VIS	7.303-048.0	4	28	ZAHNSCHEIBE A 8,4 / LOCK WASHER / ROUE PLATE	7.312-159.0	1
2	DECKEL / COVER / COUVERCLE	5.063-452.0	1				
3	KABELVERSCHR. PG16 / CABLE CONNECTOR / RACCORD DE CABLES	6.641-356.0	1				
5	KUGELLAGER 6305-2Z / BALL BEARING / ROULEMENT A BILLE	6.401-253.0	1				
6	TOLERANZRING 62X10 / TOLERANCE RING / BAGUE	6.343-010.0	1				
7	DECKEL / COVER / COUVERCLE	5.063-189.0	1				
8	BEHAELTER / TANK / BAC	5.070-048.0	1				
9	O-RING 22,3 X 2,4 / GASKET / BAQUE D'ETANCHEITE	6.362-168.0	1				
10	O-RING 11,0 X 2,0 / GASKET / BAQUE D'ETANCHEITE	6.363-273.0	1				
11	VERSCHLUSSSCHRAUBE / CLOSING SCREW / VIS DE FERMETURE	5.411-100.0	1				
12	ZYL.SCHR. M 8X 20 / CHEESE HEAD SCREW / VIS A TETE CYLINDR.	7.306-041.0	1				
14	SCHEIBE / WASHER / RONDELLE	5.115-565.0	1				
15	TAUMELSCHLEIBE / SWASH PLATE / DISQUE EN NUTATION / 1.027-304.0 / -313.0	5.120-234.0	1				
15	TAUMELSCHLEIBE / SWASH PLATE / DISQUE EN NUTATION / 1.027-301.0 / -302.0 / -305.0 / -306.0 / -307.0 / -312.0 / -314.0 / -320.0 / -321.0	5.120-235.0	1				
16	KEGELROLLENLAGER 41 / TAPER ROLLER BEARIN / PALIER A ROULEAUX	6.401-225.0	1				
17	RWDR A35X53X7 / ROTARY SHAFT SEAL / JOINT (ARBRE) VERSION 2	7.367-005.0	1				
17	RWDR A35 X 52 X 7 / ROTARY SHAFT SEAL / JOINT (ARBRE) VERSION 1	7.367-009.0	1				
18	6KT-MUTTER M 8 / HEXAGON NUT / ECROU HEXAGONAL	7.311-004.0	8				
19	ZAHNSCHLEIBE A 8,4 / LOCK WASHER / ROUE PLATE	7.312-166.0	9				
20	GUMMIPUFFER M8 / RUBBER BUFFER / BUTOIR CAOUTCHOUC	6.339-060.0	4				
21	FORMTEIL / MOULDED PART / PREFORME	5.030-389.0	1				
22	PASSFEDER 8X 7X 25 / SPRING / RESSORT D'ADJUSTAGE	7.318-035.0	1				
23	ISOLIERSCHLAUCH 10 / INSULATING HOSE / TUYAU ISOLANT	6.642-011.0	2				

**ALS METERWARE BESTELLEN/TO ORDER AS CUT
 GOODS/COMMANDE COMME MARCHANDISE AU METRE**

"=> xxxxxx" = bis Werknummer / up to serial No. / jusqu' au No. de fabr. / "xxxxxx =>" = ab Werknummer / from serial No. / a partir du No. de fabr. /

GRUPPE: 4.0 GEBLAESE
GROUP: 4.0 BLOWER
GRUPPE: 4.0 VENTILATEUR

A4

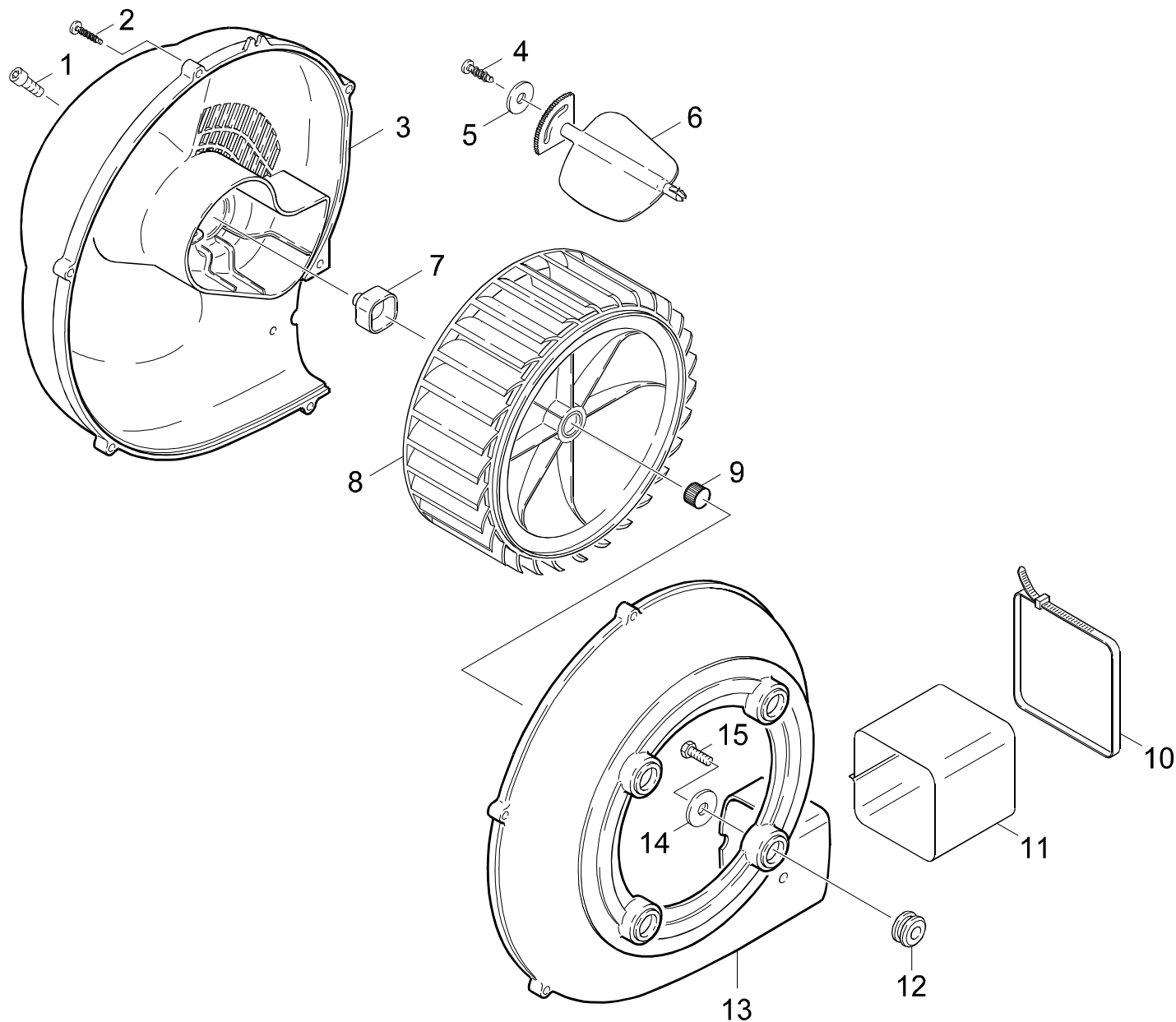
HDS 895 S

GRUPPE: 4.0 GEBLAESE
GROUP: 4.0 BLOWER
GRUPPE: 4.0 VENTILATEUR

GRUPPE: 4.0 GEBLAESE
GROUP: 4.0 BLOWER
GRUPPE: 4.0 VENTILATEUR

B4

HDS 895 S



Symbolbeschreibung siehe M16 / symbol description see M16 / désignation de système voir M16 /

GRUPPE: 4.0 GEBLAESE
GROUP: 4.0 BLOWER
GROUPE: 4.0 VENTILATEUR

C4

HDS 895 S

POS. ITM. POS.	BENNENUNG DESCRIPTION DESIGNATION	TEILE-NR. PART-NO. NO.PIECE	STCK QTY. NBR.
1	SCHRAUBE M 6X 16 / SCREW / VIS	7.306-090.0	1
2	6KT-SCHR. M 6X 50 / HEXAGONAL HEAD SCREW / VIS HEXAGONAL	7.304-084.0	6
3	GEBLAESEDECKEL / COVER (BLOWER) / COUVERCLE (VENTILATEUR)	5.063-457.0	1
4	BL.SCHR. ST4,8X16 / SHEET METAL SCREW / VIS A TOLE	7.303-077.0	1
5	SCHEIBE 5 / WASHER / RONDELLE	7.312-278.0	1
6	LUFTKLAPPE / AIR FLAP / VOLET D'ADMIS.D'AIR	5.606-005.0	1
7	KUPPLUNGSTEIL / COUPLING ELEMENT / PIECE D'ACCOUPL.	5.471-060.0	1
8	LUEFTERRAD / BLOWER WHEEL / ROUE DE VENTILATEUR	5.600-045.0	1
9	TOLERANZRING D17X16 / TOLERANCE RING / BAGUE	6.343-027.0	1
10	SPANNBAND / BANNER / BANDEROLE	6.388-608.0	2
11	TUCHMANSCHETTE / CLOTH COLLAR / MANCHETTE	5.178-026.0	1
12	GUMMIRING / RUBBER RING / RONDELLE CAOUTCHOUC	5.379-019.0	4
13	GEBLAESEGEHAEUSE / HOUSING (BLOWER) / CARTER (VENTILATEUR)	5.605-168.0	1
14	SCHEIBE 6 / WASHER / RONDELLE	7.312-260.0	4
15	SCHRAUBE M 6X 20 / SCREW / VIS	7.303-048.0	4

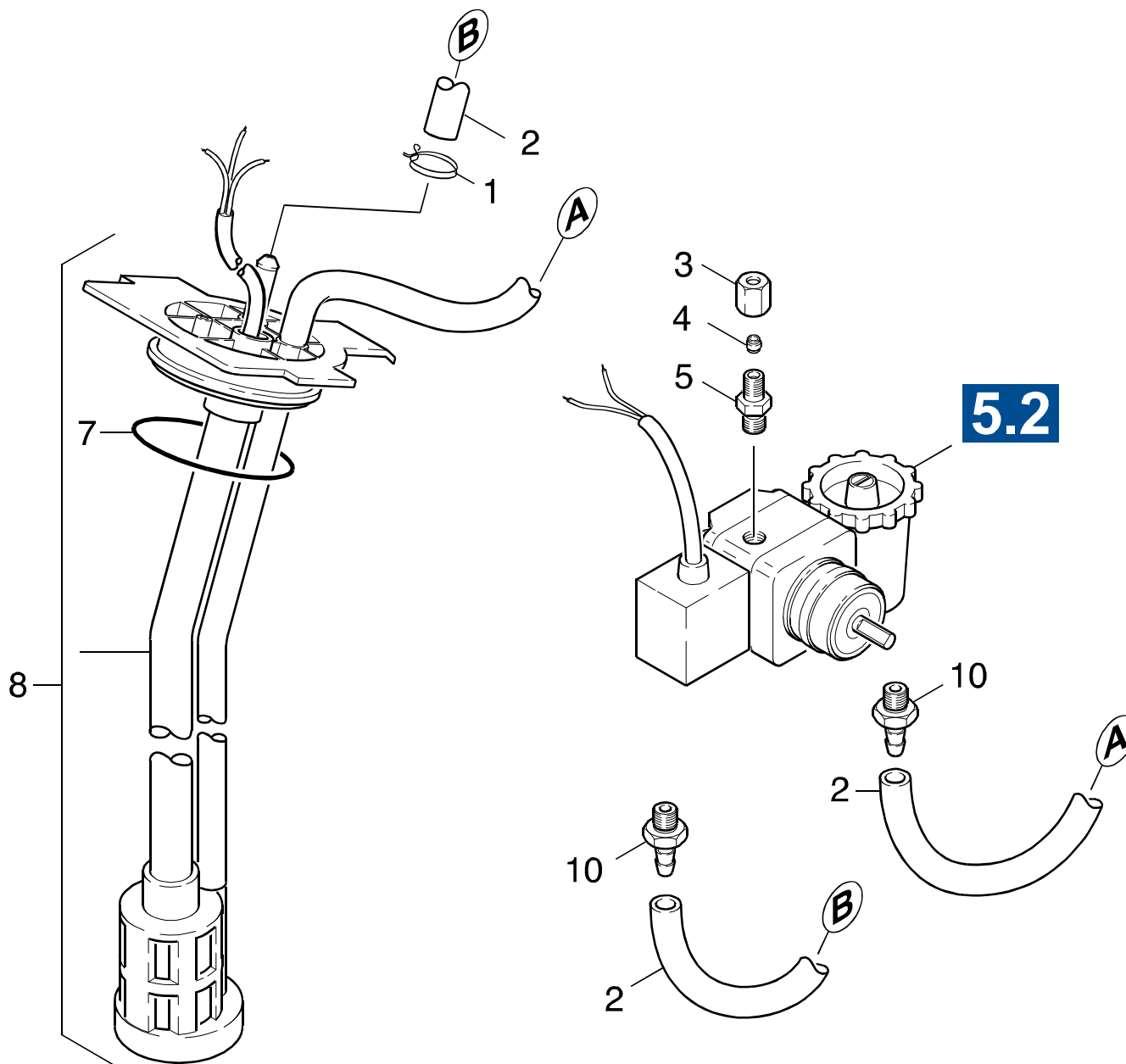
"=> xxxxxx" = bis Werknummer / up to serial No. / jusqu' au No. de fabr. / "xxxxxx =>" = ab Werknummer / from serial No. / a partir du No. de fabr. /

GRUPPE: 5.0 BRENNSTOFFSYSTEM
GROUP: 5.0 FUEL SYSTEM
GRUPPE: 5.0 SYSTEME DE COMBUSTIBLE

A5

HDS 895 S

GRUPPE: 5.0 BRENNSTOFFSYSTEM
GROUP: 5.0 FUEL SYSTEM
GRUPPE: 5.0 SYSTEME DE COMBUSTIBLE



Symbolbeschreibung siehe M16 / symbol description see M16 / désignation de système voir M16 /

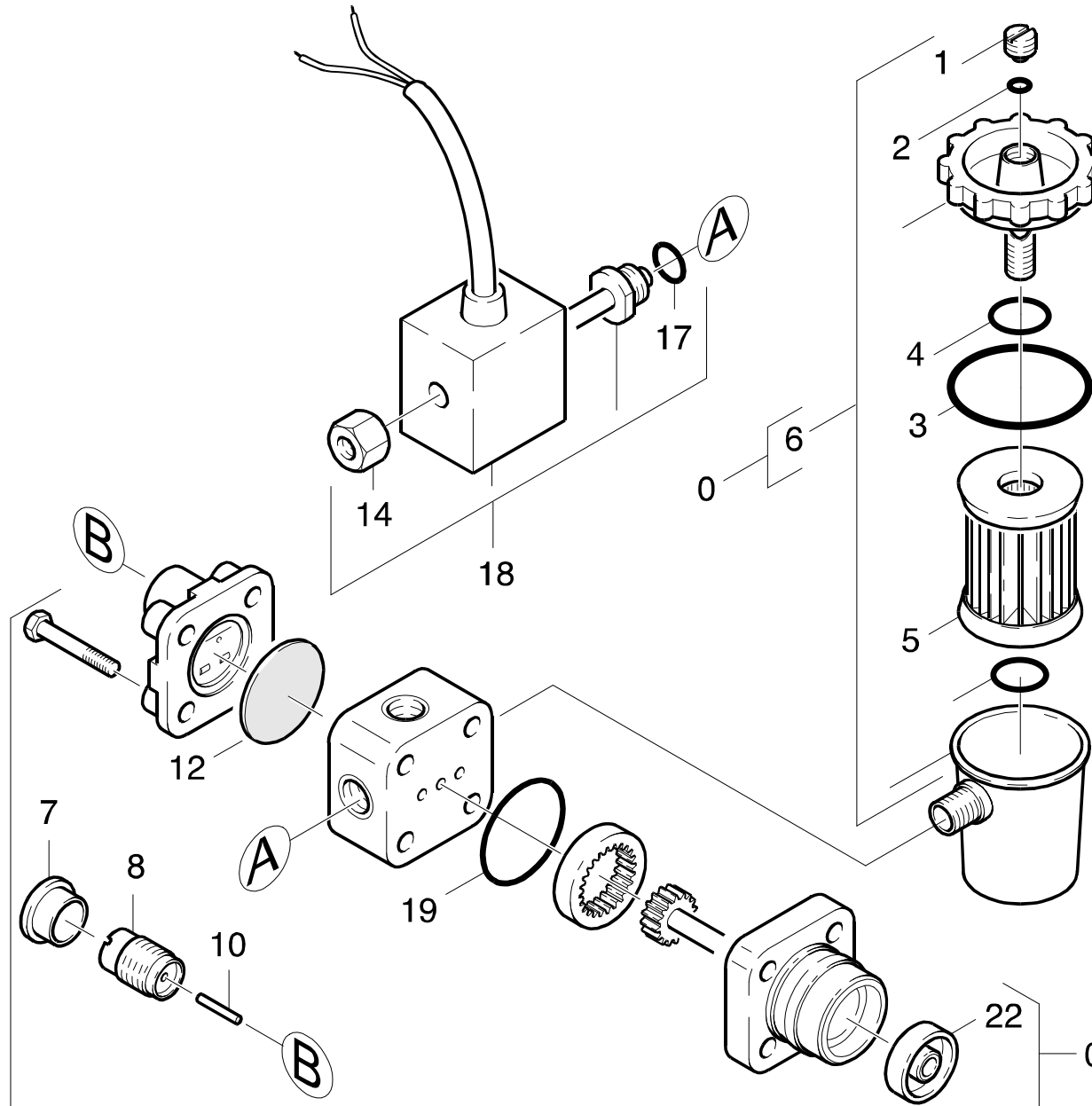
GRUPPE: 5.1 BRENNSTOFFPUMPE
GROUP: 5.1 FUEL PUMP
GRUPPE: 5.1 POMPE DE COMBUSTIBLE

C5

HDS 895 S

POS. ITM. POS.	BENNENUNG DESCRIPTION DESIGNATION	TEILE-NR. PART-NO. NO.PIECE	STCK QTY. NBR.
1	SCHLAUCHSCHELLE / HOSE BAND CLIP / COLLIER DE SERRAGE	6.389-768.0	1
2	SCHLAUCH / HOSE / TUYAU FLEXIBLE	6.389-534.0	1
	ALS METERWARE BESTELLEN/TO ORDER AS CUT GOODS/COMMANDE COMME MARCHANDISE AU METRE		
3	UE-MUTTER A 4-LL / UNION NUT / ECROU RACOURD	6.389-262.0	1
4	SCHNEIDRING D.4 / CUTTING RING / BAGUE COUPANTE	6.389-263.0	1
5	SCHRAUBSTUTZEN / SCREW UNION / RACCORD FILETE	6.389-261.0	1
7	O-RING 56,0 X 4,0 / GASKET / BAQUE D'ETANCHEITE	6.362-855.0	1
8	ROHRLEITUNG / PIPELINES / CONDUITE	4.421-631.0	1
10	SCHLAUCHNIPPEL / HOSE STEM / RACCORD DE FLEXIBLE	6.472-927.0	2

"=> xxxxxx" = bis Werknummer / up to serial No. / jusqu' au No. de fabr. / "xxxxxx =>" = ab Werknummer / from serial No. / a partir du No. de fabr. /



Symbolbeschreibung siehe M16 / symbol description see M16 / désignation de système voir M16 /

GRUPPE: 5.2 BRENNSTOFFPUMPE
GROUP: 5.2 FUEL PUMP
GROUPE: 5.2 POMPE DE COMBUSTIBLE

E5

HDS 895 S

POS. ITM. POS.	BENNENUNG DESCRIPTION DESIGNATION	TEILE-NR. PART-NO. NO.PIECE	STCK QTY. NBR.
0	BRENNSTOFFPUMPE / FUEL PUMP / POMPE DE COMBUSTIBLE	6.472-925.0	1
1	ENTLUEFTUNGSSCHR. / VENT SCREW / VIS D'AIR	6.472-107.0	1
2	O-RING 5,0 X 1,8 / GASKET / BAQUE D'ETANCHEITE	6.472-106.0	1
3	O-RING 32,0 X 1,6 / GASKET / BAQUE D'ETANCHEITE	6.472-111.0	1
4	O-RING 10,0 X 2,4 / GASKET / BAQUE D'ETANCHEITE	6.472-112.0	1
5	FILTEREINSATZ / FILTER CARTRIDGE / CARTOUCHE FILTRANTE	6.472-113.0	1
6	FILTERGEHAEUSE KPL. / FILTER CASE / BATI DE FILTRE	6.472-123.0	1
7	SCHUTZKAPPE / PROTECTIVE CAP / CAPOT PROTECTION	6.472-122.0	1
8	FEDERGEHAEUSE / SPRING HOUSING / BARILLET	6.472-109.0	1
10	STIFT / PIN / CHEVILLE	6.472-108.0	1
12	MEMBRANE / DIAPHRAGM / MEMBRANE	6.472-128.0	1
14	RAENDELMUTTER / KNURLED NUT / ECROU MOLETE	6.472-340.0	1
17	O-RING 12,0 X 1,5 / GASKET / BAQUE D'ETANCHEITE	6.472-125.0	1
18	MAGNETVENTIL / SOLENOID VALVE / ELECTROVANNE	6.472-411.0	1
19	O-RING 28,5 X 1,6 / GASKET / BAQUE D'ETANCHEITE	6.472-120.0	1
22	ACHSENDICHTUNG / SHAFT SEAL / ETOUPAGE D'ESSIEU	6.472-105.0	1

"=> xxxxxx" = bis Werknummer / up to serial No. / jusqu' au No. de fabr. / "xxxxxx =>" = ab Werknummer / from serial No. / a partir du No. de fabr. /

GRUPPE: 6.0 E-GERAETESCHRANK
GROUP: 6.0 ELECTRIC CONTROL BOX
GRUPPE: 6.0 COFFRET ELECTRIQUE

A6

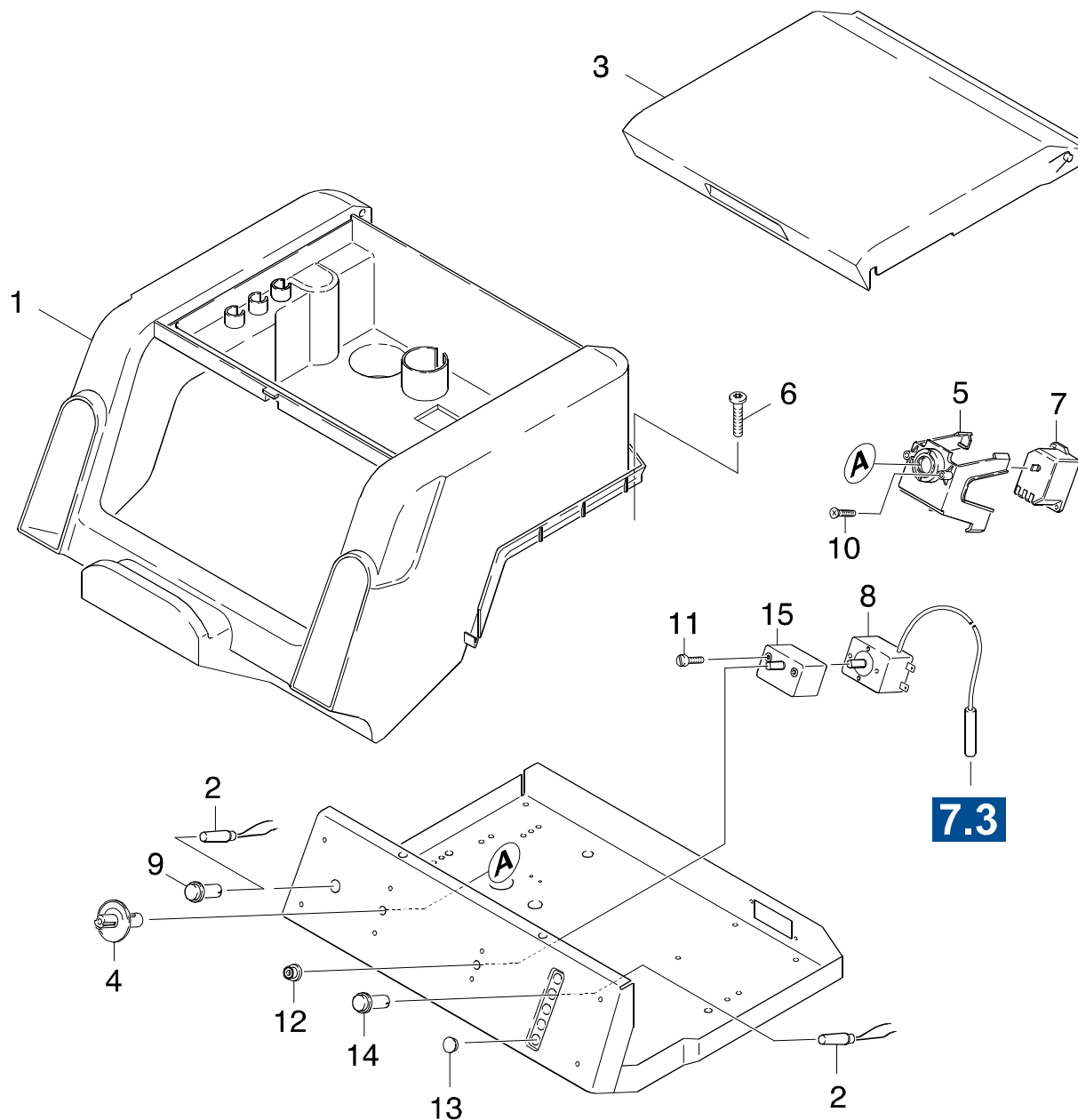
HDS 895 S

GRUPPE: 6.0 E-GERAETESCHRANK
GROUP: 6.0 ELECTRIC CONTROL BOX
GRUPPE: 6.0 COFFRET ELECTRIQUE

GRUPPE: 6.1 OBERTEIL
GROUP: 6.1 TOP PART
GRUPPE: 6.1 PARTIE SUPERIEUR

B6

HDS 895 S



Symbolbeschreibung siehe M16 / symbol description see M16 / désignation de système voir M16 /

GRUPPE: 6.1 OBERTEIL
GROUP: 6.1 TOP PART
GROUPE: 6.1 PARTIE SUPERIEUR

C6

HDS 895 S

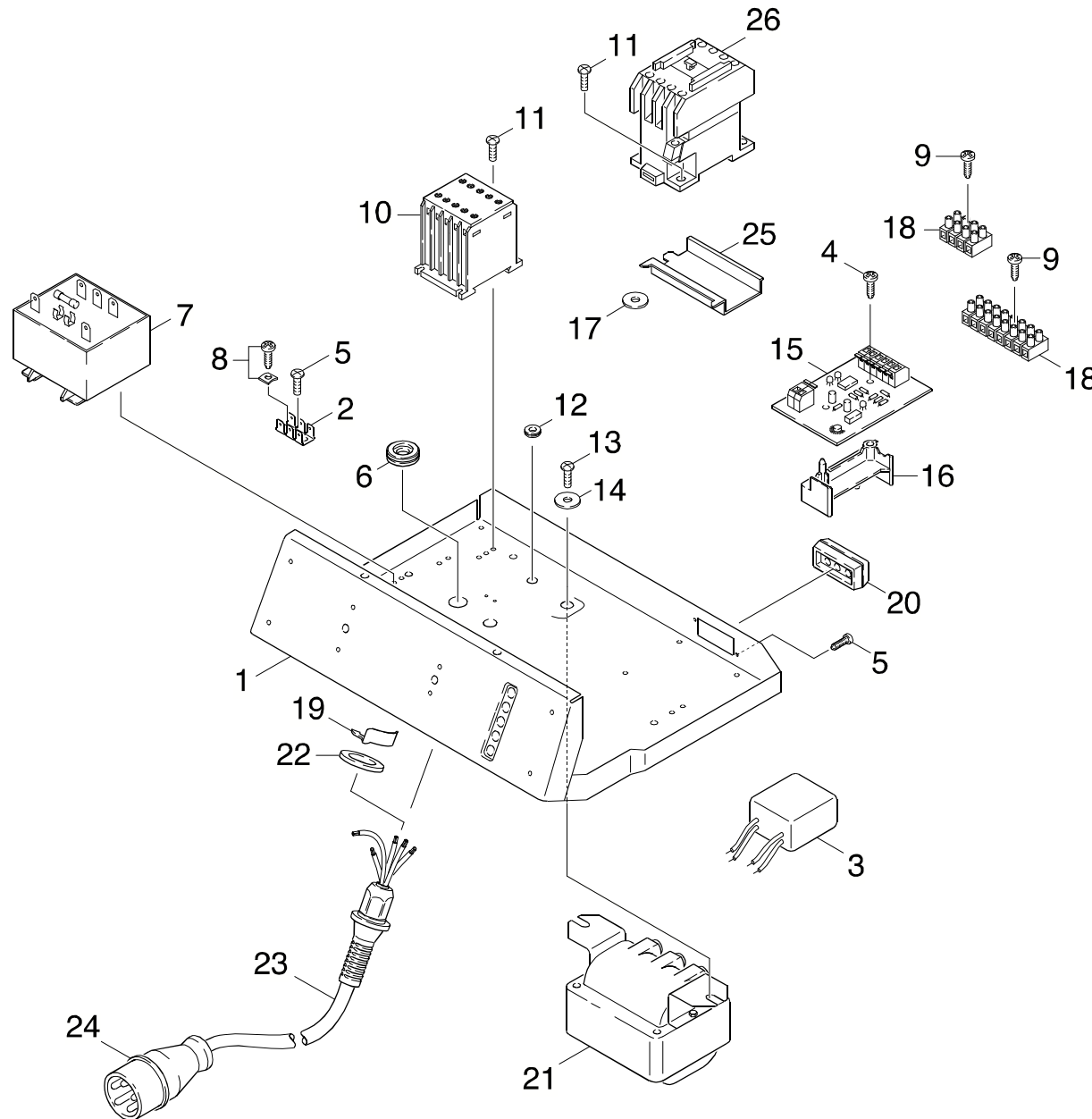
POS. ITM. POS.	BENNENUNG DESCRIPTION DESIGNATION	TEILE-NR. PART-NO. NO.PIECE	STCK QTY. NBR.
1	HAUBE / COVER / CAPOT	5.067-198.0	1
2	SIGNALLEUCHE / PILOT LAMP / LAMPE TEMOIN	6.651-275.0	4
3	KLAPPE / FLAP / CLAPET	5.031-914.0	1
4	WELLE (CONDOR-SCHAL / SHAFT / ARBRE	5.100-335.0	1
5	HALTER (CONDOR-SCHA / BRACKET / FIXATION	5.044-412.0	1
6	SCHRAUBE M 5X 55 / SCREW / VIS	7.303-045.0	2
7	MOTORSCHUTZSCHALTER / MOTOR PROT. SWITCH / RELAIS (MOTEUR)	6.631-190.0	1
	/ 1.027-301.0 / -305.0 / -306.0 / -307.0 / -312.0 / -314.0 / -320.0		
7	MOTORSCHUTZSCHALTER / MOTOR PROT. SWITCH / RELAIS (MOTEUR)	6.631-428.0	1
	/ 1.027-302.0 / -304.0 / -313.0 / -321.0		
8	TEMPERATURREGLER / THERMOSTAT / THERMOSTAT	6.686-173.0	1
9	LINSENGEHAUSE / HOUSING / CARTER	6.651-421.0	1
10	SENKSCHR. 4 X 16 / FLAT HEADED SCREW / VIS A TETE CONIQUE	7.303-125.0	2
11	SCHRAUBE M 4X 8 / SCREW / VIS	7.306-056.0	2
12	PROFILDICHTUNG / SEAL / ETOUPE PROFILE	5.365-152.0	1
13	ZIERKAPPE D10/D12 / ORNAMENTAL HUB CAP / ENJOLIVEUR DE ROUE	6.368-076.0	3
14	LINSENGEHAUSE ROT / HOUSING / CARTER	6.651-316.0	3
15	SCHALTER / SWITCH / INTERRUPTEUR	6.630-368.0	1

"=> xxxxxx" = bis Werknummer / up to serial No. / jusqu' au No. de fabr. / "xxxxxx =>" = ab Werknummer / from serial No. / a partir du No. de fabr. /

GRUPPE: 6.2 UNTERTEIL
GROUP: 6.2 BOTTOM
GRUPPE: 6.2 PARTIE INFERIEURE

D6

HDS 895 S



Symbolbeschreibung siehe M16 / symbol description see M16 / désignation de système voir M16 /

GRUPPE: 6.2 UNTERTEIL
 GROUP: 6.2 BOTTOM
 GROUPE: 6.2 PARTIE INFERIEURE

E6

HDS 895 S

POS. ITM. POS.	BENNENNUNG DESCRIPTION DESIGNATION	TEILE-NR. PART-NO. NO.PIECE	STCK QTY. NBR.	POS. ITM. POS.	BENNENNUNG DESCRIPTION DESIGNATION	TEILE-NR. PART-NO. NO.PIECE	STCK QTY. NBR.
1	BLECHTEIL / PLATE / TOLE / 1.027-301.0 / -305.0 / -306.0 / -307.0 / -314.0 / -320.0	5.049-551.0	1	19	SICHERUNG / CLIP / CONSOLIDATION / 1.027-302.0 / -304.0 / -313.0 / -321.0	6.343-186.0	1
1	BLECHTEIL / PLATE / TOLE / 1.027-302.0 / -304.0 / -313.0 / -321.0	5.049-657.0	1	20	FORMTEIL / MOULDED PART / PREFORME	5.030-931.0	1
1	BLECHTEIL / PLATE / TOLE / 1.027-312.0	5.059-607.0	1	21	ZUENDTRAFO ET-SATZ / TRANSFORMER / TRANSFORMATEUR / 1.027-301.0 / -305.0 / -306.0 / -307.0 / -312.0 / -314.0 / -320.0	2.883-791.0	1
2	FLACHSTECKER / PLUG / FICHE PLATE	6.641-270.0	1	21	ZUENDTRAFO 230 V / TRANSFORMER / TRANSFORMATEUR / 1.027-302.0 / -321.0	6.622-166.0	1
3	FUNKENTSTOERFILTER / INTERFERENCE SUPPRESSOR / FILTRE ANTIPARASITE / 1.027-301.0 / -302.0 / -305.0 / -307.0 / -312.0 / -314.0 / -320.0 / -321.0	6.661-229.0	1	21	ZUENDTRAFO 230V / TRANSFORMER / TRANSFORMATEUR / 1.027-304.0 / -313.0	6.622-167.0	1
4	SCHRAUBE M 4X 30 / SCREW / VIS / 1.027-301.0 / -302.0 / -304.0 / -305.0 / -307.0 / -313.0 / -314.0 / -320.0 / -321.0	7.303-035.0	1	22	SCHEIBE / WASHER / RONDELLE / 1.027-301.0 / -305.0 / -306.0 / -307.0 / -312.0 / -314.0 / -320.0	5.115-255.0	1
5	SCHRAUBE M 4X 8 / SCREW / VIS	7.303-030.0	4	22	SCHEIBE / WASHER / RONDELLE / 1.027-302.0 / -304.0 / -313.0 / -321.0	5.115-921.0	1
6	PROFILDICHTUNG / SEAL / ETOUPE PROFILE	5.365-158.0	1	23	KABEL MIT TUELLE / CABLE / CABLE	6.647-250.0	1
7	STEUERTRAFO 400V / TRANSFORMER / TRANSFORMATEUR / 1.027-301.0 / -305.0 / -306.0 / -307.0 / -312.0 / -314.0 / -320.0	6.622-241.0	1	23	KABEL KPL.4X2,5 / CABLE / CABLE / 1.027-301.0 / -305.0 / -306.0 / -307.0 / -312.0 / -314.0 / -320.0	6.648-514.0	1
7	STEUERTRAFO 230 V / TRANSFORMER / TRANSFORMATEUR / 1.027-302.0 / -304.0 / -313.0 / -321.0	6.622-242.0	1	24	GERAETESTECKER / PLUG / PRISE APPAREIL / 1.027-301.0 / -306.0	6.646-266.0	1
8	SCHRAUBE M4X10 / SCREW / VIS	6.303-317.0	2	24	CEE-STECKER 32A / CEE-PLUG / CEE-FICHE / 1.027-302.0	6.646-356.0	1
9	SCHRAUBE M 3X 20 / SCREW / VIS	7.303-029.0	4	25	MONTAGETEIL / MOUNTING PART / PIECE MONTAGE	5.802-300.0	1
10	LEISTUNGSSCHUETZ / CONTACTOR / CONTACTEUR / 1.027-301.0 / -305.0 / -306.0 / -307.0 / -312.0 / -314.0 / -320.0	6.632-311.0	1	26	SCHUETZ / CONTACTOR / CONTACTEUR / 1.027-302.0 / -304.0 / -313.0 / -321.0	6.632-356.0	1
11	SCHRAUBE M 4X 16 / SCREW / VIS	7.303-033.0	2				
12	DURCHFUEHR.TUELLE / BUSH / DOUILLE DE TRAVERSEE	6.641-422.0	1				
13	SCHRAUBE M 5X 8 / SCREW / VIS	7.303-036.0	1				
14	SCHEIBE 6 / WASHER / RONDELLE	7.312-260.0	1				
15	IMPULSGEBER / PULSE GENERATOR / CONTACTEUR / 1.027-301.0 / -302.0 / -304.0 / -305.0 / -307.0 / -313.0 / -314.0 / -320.0 / -321.0	6.633-372.0	1				
16	AUFLAGER / SUPPORT / SUPPORT / 1.027-301.0 / -302.0 / -304.0 / -305.0 / -307.0 / -312.0 / -313.0 / -314.0 / -320.0 / -321.0	5.057-043.0	1				
17	SCHEIBE 5 / WASHER / RONDELLE	7.312-282.0	1				
18	KLEMMLEISTE / STRIP TERMINAL / BORNE PLATE	6.643-249.0	1				
19	SICHERUNGSClip / SECURING CLIP / CLIP / 1.027-301.0 / -305.0 / -306.0 / -307.0 / -312.0 / -314.0 / -320.0	6.343-170.0	1				

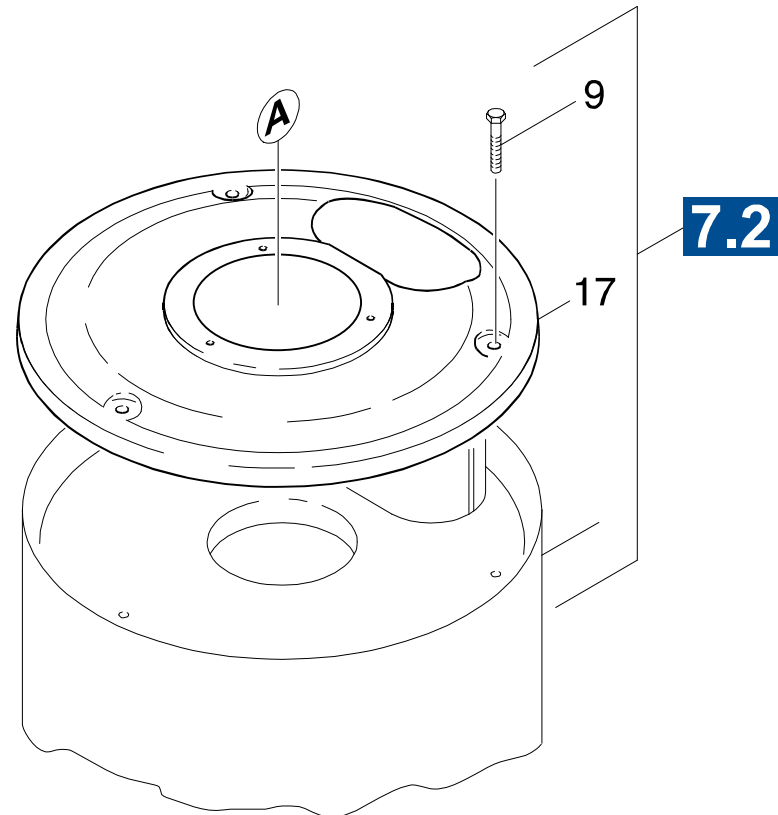
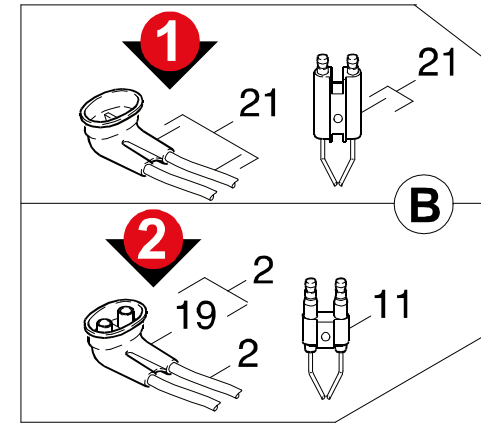
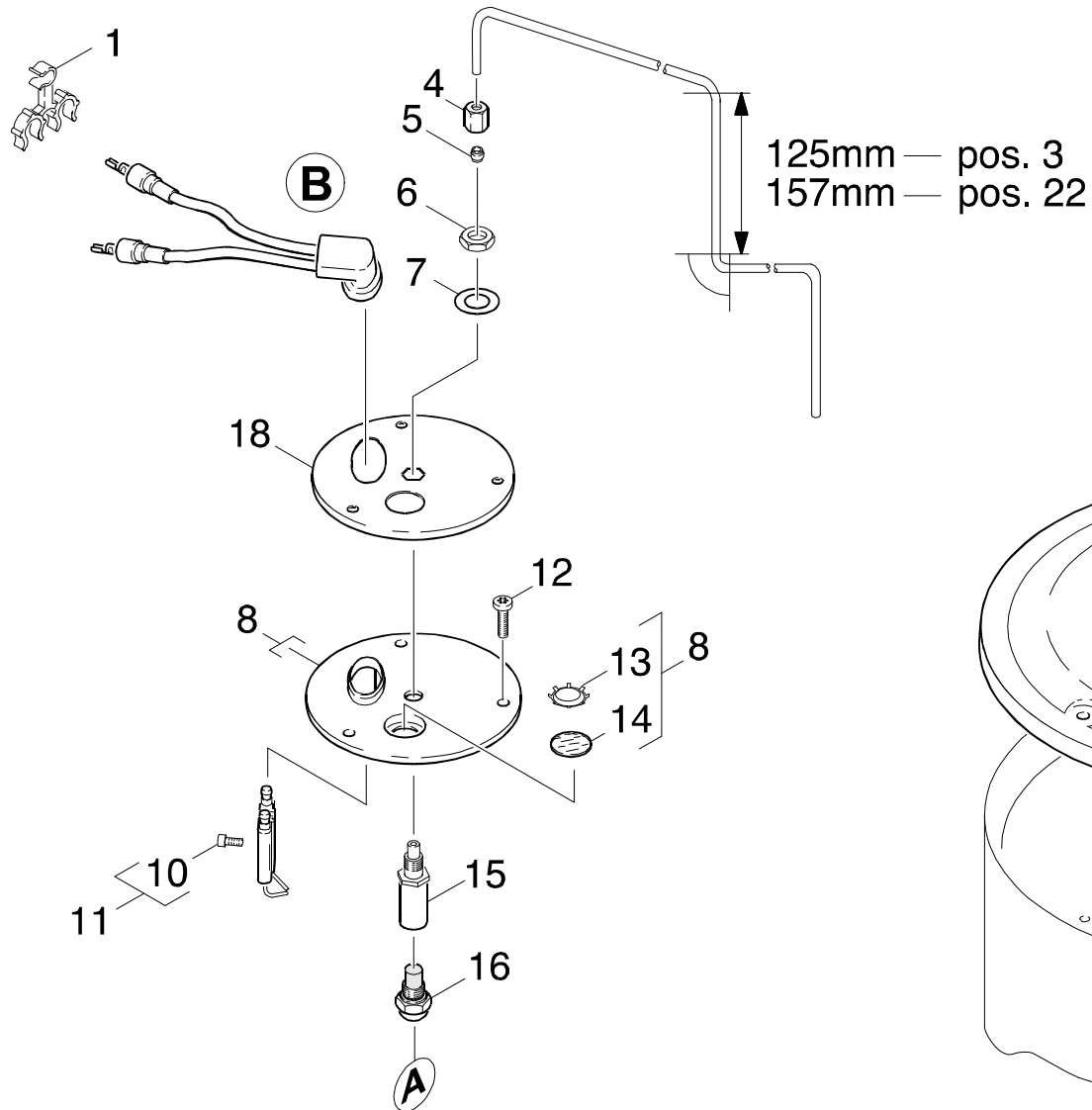
"=> xxxxxx" = bis Werknummer / up to serial No. / jusqu' au No. de fabr. / "xxxxxx =>" = ab Werknummer / from serial No. / a partir du No. de fabr. /

GRUPPE: 7.0 DURCHLAUFERHITZER
GROUP: 7.0 FLOW HEATER
GRUPPE: 7.0 CHAUFFE-EAU RAPIDE

A7

HDS 895 S

GRUPPE: 7.0 DURCHLAUFERHITZER
GROUP: 7.0 FLOW HEATER
GRUPPE: 7.0 CHAUFFE-EAU RAPIDE



Symbolbeschreibung siehe M16 / symbol description see M16 / désignation de système voir M16 /

GRUPPE: 7.1 BRENNERDECKEL
 GROUP: 7.1 BURNER COVER
 GROUPE: 7.1 COUVERCLE BRULEUR

C7

HDS 895 S

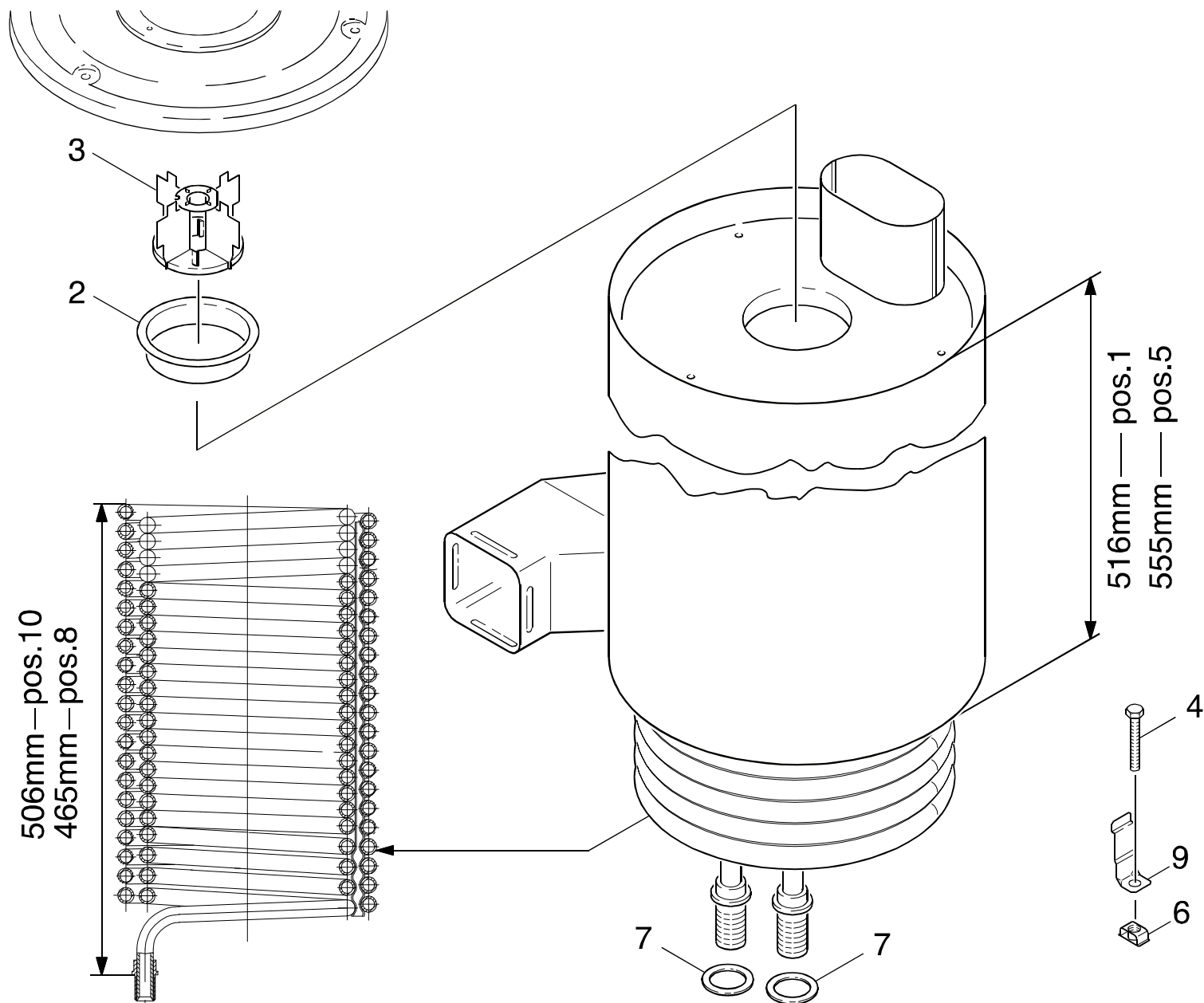
POS. ITM. POS.	BENNENUNG DESCRIPTION DESIGNATION	TEILE-NR. PART-NO. NO.PIECE	STCK QTY. NBR.
1	HALTER / BRACKET / FIXATION	6.647-527.0	1
2	ZUENDKABEL KPL. / IGNITION CABLE / FIL D'AMORCE	4.821-071.0	1
3	LEITUNGSROHR / PIPE / TUBE CONDUCTEUR	5.423-186.0	1
4	UE-MUTTER A 4-LL / UNION NUT / ECROU RACOURD	6.389-262.0	1
5	SCHNEIDRING D.4 / CUTTING RING / BAGUE COUPANTE	6.389-263.0	1
6	6KT-MUTTER M10X1 / HEXAGON NUT / ECROU HEXAGONAL	7.311-101.0	1
7	FEDERSCHEIBE B 10,0 / SPRING WASHER / RONDELLE ELAST.	7.312-302.0	1
8	BRENNERDECKEL / BURNER COVER / COUVERCLE BRULEUR	4.662-021.0	1
9	SCHNEIDSCHRAUBE / SELF-TAPPING SCREW / VIS AUTOTARAUEUSE	6.303-258.0	3
10	SCHRAUBE M 5X 14 / SCREW / VIS	7.306-217.0	1
11	ET-SET NEUTRAL / SPARE PARTS SET / JEU DE PIECES DECHANGE	2.884-085.0	1
12	SCHRAUBE M 5X 12 / SCREW / VIS	7.303-038.0	3
13	ZACKENRING / RING / ANNEAU	6.343-165.0	1
14	GLASSCHEIBE / GLASS PANE / VITRE	6.278-018.0	1
15	DUESENHALTER / NOZZLE HOLDER / PORTE - BUSE	5.667-055.0	1
16	DUESE / NOZZLE / BUSE / 1.027-301.0 / -302.0 / -304.0 / -305.0 / -306.0 / -307.0 / -312.0 / -314.0 / -320.0 / -321.0	6.415-641.0	1
16	BRENNERDUESE 2,0GPH / BURNER NOZZLE / BUSE (BRULEUR) / 1.027-313.0	6.415-697.0	1
17	DECKEL D.K. / COVER / COUVERCLE	5.654-066.0	1
18	SCHUTZKAPPE / PROTECTIVE CAP / CAPOT PROTECTION	5.394-470.0	1
19	DECKEL D.K. / COVER / COUVERCLE	5.654-059.0	1
21	UBS ZUENDKABEL / KIT / KIT DE MODIFIC.	2.638-976.0	1
22	LEITUNGSROHR / PIPE / TUBE CONDUCTEUR	5.423-187.0	1

"=> xxxxxx" = bis Werknummer / up to serial No. / jusqu' au No. de fabr. / "xxxxxx =>" = ab Werknummer / from serial No. / a partir du No. de fabr. /

GRUPPE: 7.2 HEIZSCHLANGE
GROUP: 7.2 HEATING COIL
GRUPPE: 7.2 SERPENTIN

D7

HDS 895 S



Symbolbeschreibung siehe M16 / symbol description see M16 / désignation de système voir M16 /

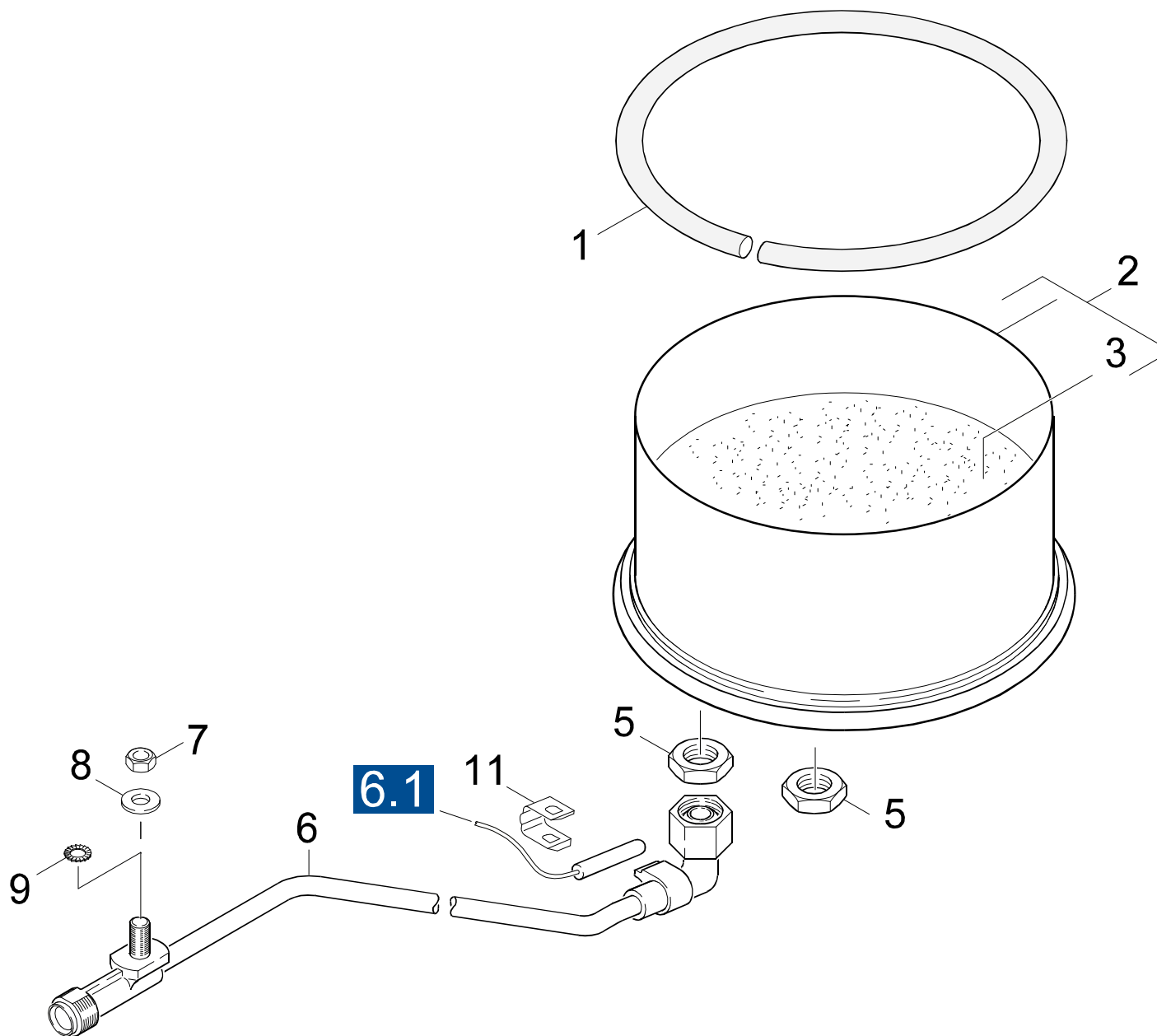
GRUPPE: 7.2 HEIZSCHLANGE
GROUP: 7.2 HEATING COIL
GROUPE: 7.2 SERPENTIN

E7

HDS 895 S

POS. ITM. POS.	BENNENUNG DESCRIPTION DESIGNATION	TEILE-NR. PART-NO. NO.PIECE	STCK QTY. NBR.
1	AUSSENMANTEL / OUTER JACKET / ENVELOPPE VERSION 1	4.652-123.0	1
2	BRENNERTEIL / BURNER PART / PIECE DE BRULEUR	5.664-195.0	1
3	BRENNEREINSATZ / BURNER CAGE / BRULEUR CAGE	4.663-088.0	1
4	6KT-SCHR. M 8X 16 / HEXAGONAL HEAD SCREW / VIS HEXAGONAL	7.304-051.0	3
5	AUSSENMANTEL / OUTER JACKET / ENVELOPPE VERSION 2	4.652-131.0	1
6	KAFIGMUTTER M 8 / NUT / ECROU	6.310-081.0	3
7	PROFILDICHTUNG / SEAL / ETOUPE PROFILE	5.365-068.0	2
8	HEIZSCHLANGE / HEATING COIL / SERPENTIN VERSION 1	4.680-097.0	1
8	HEIZSCHLANGE VA / HEATING COIL / SERPENTIN EDELSTAHLAUSFUEHRUNG/STAINLESS STEEL CONSTRUCTION/CONSTRUCTION EN ACIER SPECIAL / 1.027-305.0 / -314.0	4.680-114.0	1
9	HALTER / BRACKET / FIXATION	5.044-420.0	3
10	HEIZSCHLANGE / HEATING COIL / SERPENTIN VERSION 2	4.680-135.0	1

"=> xxxxxx" = bis Werknummer / up to serial No. / jusqu' au No. de fabr. / "xxxxxx =>" = ab Werknummer / from serial No. / a partir du No. de fabr. /



Symbolbeschreibung siehe M16 / symbol description see M16 / désignation de système voir M16 /

GRUPPE: 7.3 BRENNERBODEN
GROUP: 7.3 BURNER BOTTOM
GROUPE: 7.3 FOND DE BRULEUR

G7

HDS 895 S

POS. ITM. POS.	BENNENNUNG DESCRIPTION DESIGNATION	TEILE-NR. PART-NO. NO.PIECE	STCK QTY. NBR.
1	DICHTSCHNUR / SEAL STRING / CORDE DE BOURRAGE	6.366-009.0	1
2	BODEN D.K. / BOTTOM / FOND	4.655-047.0	1
3	STAMPFMASSE 8KG / REFRACTORY MATERIAL / PISE REFRACT. DAME	2.889-061.0	1
5	6KT-MUTTER M22X1,5 / HEXAGON NUT / ECROU HEXAGONAL / 1.027-301.0 / -302.0 / -304.0 / -305.0 / -306.0 / -307.0 / -312.0 / -313.0 / -320.0 / -321.0	7.311-112.0	2
5	6KT-MUTTER M22X1,5 / HEXAGON NUT / ECROU HEXAGONAL / 1.027-314.0	7.311-155.0	2
6	ROHRLEITUNG AUSG. / PIPELINES / CONDUITE / 1.027-301.0 / -302.0 / -305.0 / -307.0 / -312.0 / -314.0 / -320.0 / -321.0	4.421-627.0	1
6	ROHRLEITUNG AUSG. / PIPELINES / CONDUITE / 1.027-304.0 / -306.0 / -313.0	4.421-645.0	1
7	6KT-MUTTER M10 / HEXAGON NUT / ECROU HEXAGONAL	7.311-511.0	1
8	SCHEIBE 10 / WASHER / RONDELLE	7.312-285.0	1
9	ZAHNSCHEIBE A 10,5 / LOCK WASHER / ROUE PLATE	7.312-160.0	1
11	SPANNTEIL / CLAMP ELEMENT / PIECE DE SERRAGE	5.263-064.0	1

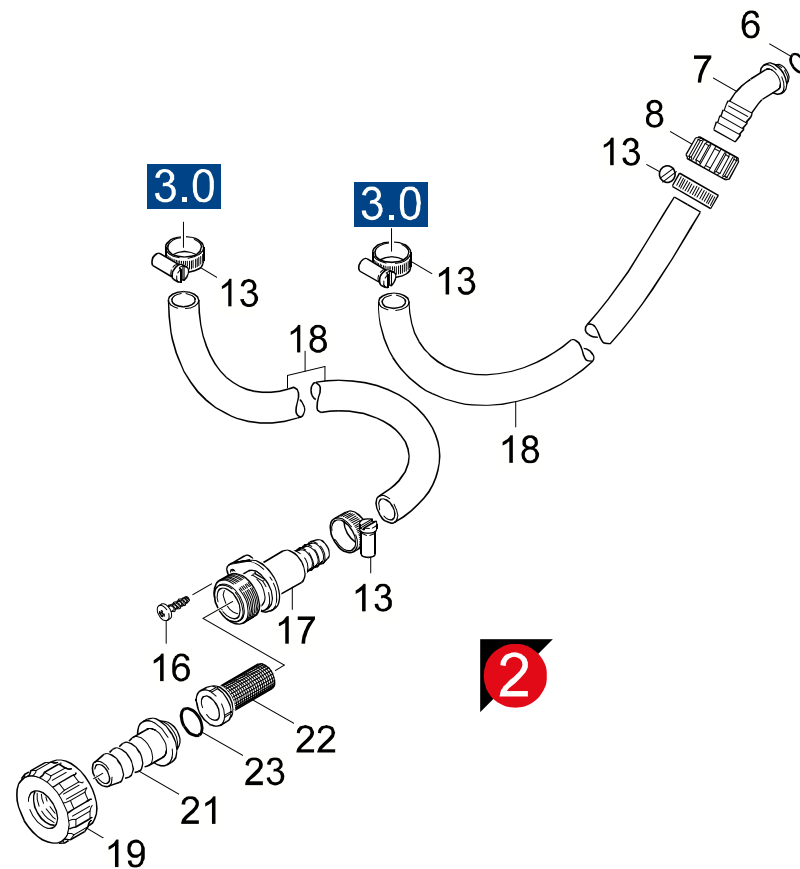
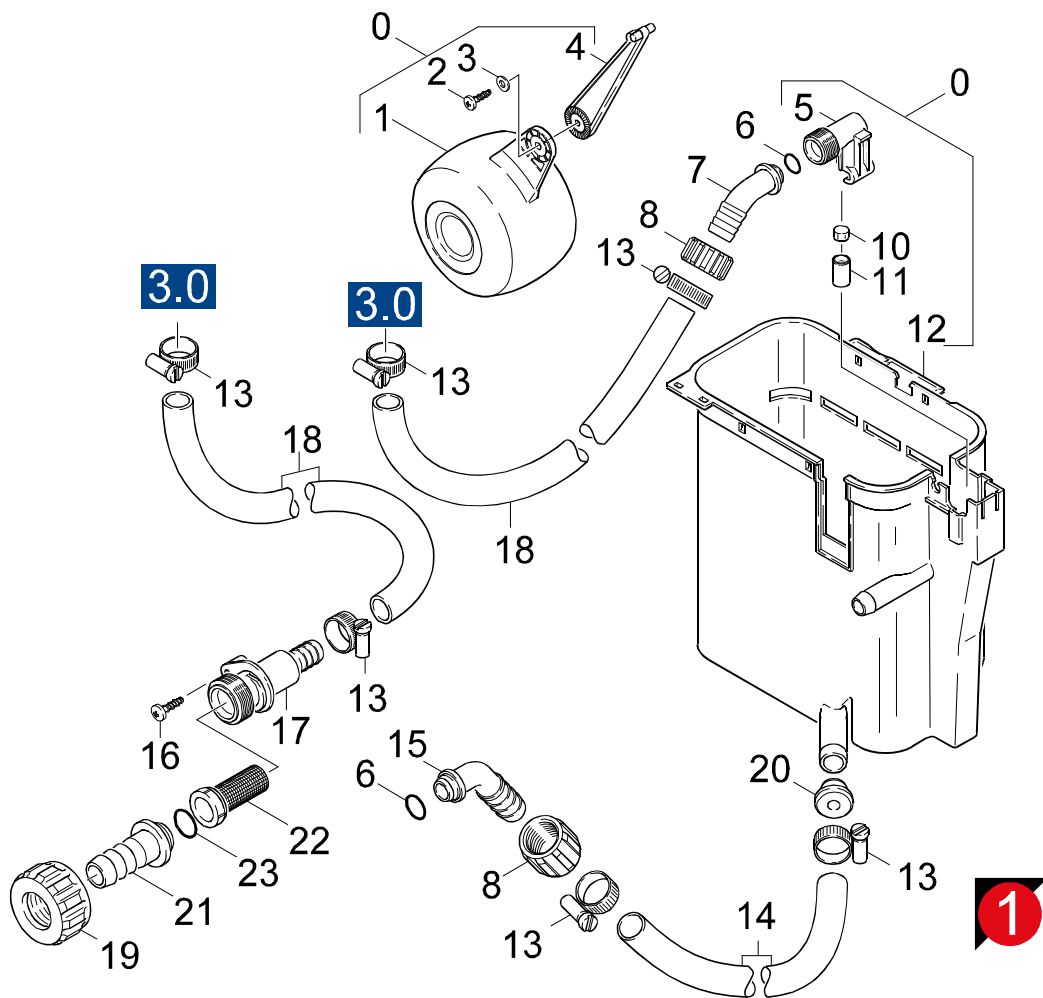
"=> xxxxxx" = bis Werknummer / up to serial No. / jusqu' au No. de fabr. / "xxxxxx =>" = ab Werknummer / from serial No. / a partir du No. de fabr. /

GRUPPE: 8.0 SCHWIMMERKASTEN
GROUP: 8.0 FLOAT CHEST
GRUPPE: 8.0 BOITE DU FLOTTEUR

A8

HDS 895 S

GRUPPE: 8.0 SCHWIMMERKASTEN
GROUP: 8.0 FLOAT CHEST
GRUPPE: 8.0 BOITE DU FLOTTEUR



Symbolbeschreibung siehe M16 / symbol description see M16 / désignation de système voir M16 /

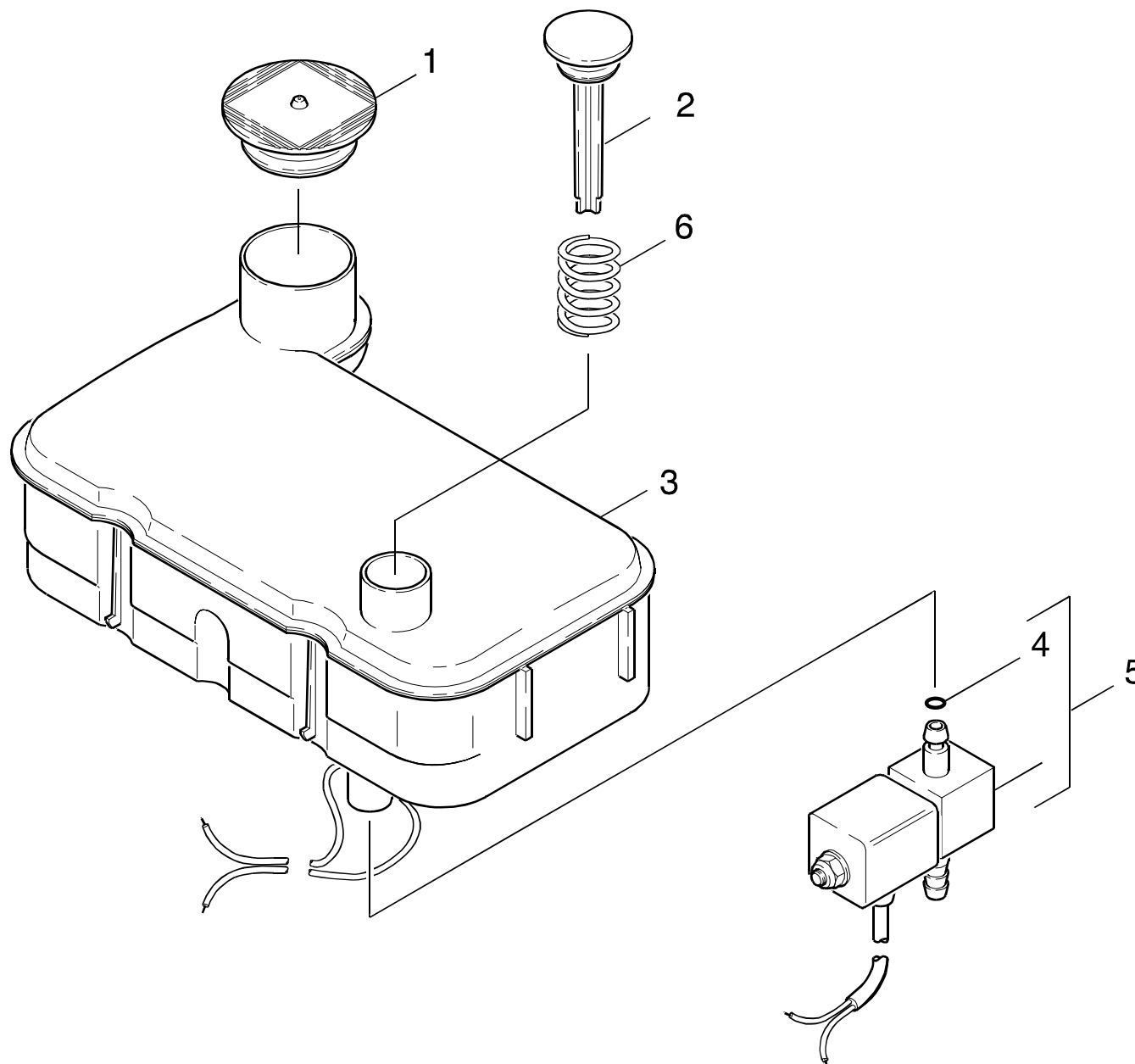
GRUPPE: 8.1 SCHWIMMERKASTEN
 GROUP: 8.1 FLOAT CHEST
 GROUPE: 8.1 BOITE DU FLOTTEUR

C8

HDS 895 S

POS. ITM. POS.	BENNENNUNG DESCRIPTION DESIGNATION	TEILE-NR. PART-NO. NO.PIECE	STCK QTY. NBR.	POS. ITM. POS.	BENNENNUNG DESCRIPTION DESIGNATION	TEILE-NR. PART-NO. NO.PIECE	STCK QTY. NBR.
0	SCHWIMMERVENTIL / FLOAT VALVE / SOUPE A FLOTTEUR VERSION 1 / 1.027-301.0 / -302.0 / -304.0 / -305.0 / -314.0	3.593-082.0	1	13	SCHLAUCHSCHELLE / HOSE BAND CLIP / COLLIER DE SERRAGE	6.388-548.0	6
0	SCHWIMMERVENTIL / FLOAT VALVE / SOUPE A FLOTTEUR VERSION 1 / 1.027-307.0	3.593-108.0	1	14	SCHLAUCH 19X 4 / HOSE / TUYAU FLEXIBLE VERSION 1 / 1.027-301.0 / -302.0 / -304.0 / -305.0 / -307.0 / -314.0	6.389-499.0	1
1	SCHWIMMER / FLOAT / FLOTTEUR VERSION 1 / 1.027-301.0 / -302.0 / -304.0 / -307.0 / -314.0	5.585-004.0	1	15	SCHLAUCHNIPPEL / HOSE STEM / RACCORD DE FLEXIBLE VERSION 1 / 1.027-301.0 / -302.0 / -304.0 / -305.0 / -307.0 / -314.0	5.443-211.0	1
2	SCHRAUBE 5 X 16 / SCREW / VIS VERSION 1 / 1.027-301.0 / -302.0 / -304.0 / -305.0 / -307.0 / -314.0	7.303-104.0	1	16	SCHRAUBE 6 X 20 / SCREW / VIS	7.303-112.0	1
3	SCHEIBE 5 / WASHER / RONDELLE VERSION 1 / 1.027-301.0 / -302.0 / -304.0 / -305.0 / -307.0 / -314.0	7.312-282.0	1	17	KNOTENSTUECK / MANIFOLD / FERRURE NODALE	5.427-154.0	1
4	HEBEL / LEVER / LEVIER VERSION 1 / 1.027-301.0 / -302.0 / -304.0 / -305.0 / -307.0 / -314.0	5.481-118.0	1	18	SCHLAUCH DN16 / HOSE / TUYAU FLEXIBLE ALS METERWARE BESTELLEN/TO ORDER AS CUT GOODS/COMMANDE COMME MARCHANDISE AU METRE / 1.027-301.0 / -302.0 / -304.0 / -305.0 / -306.0 / -314.0	6.388-719.0	1
5	VENTILGEHAUESE / VALVE HOUSING / CORPS DE SOUPE VERSION 1 / 1.027-301.0 / -302.0 / -304.0 / -305.0 / -307.0 / -314.0	5.587-147.0	1	18	SCHLAUCH / HOSE / TUYAU FLEXIBLE / 1.027-307.0	6.390-577.0	1
6	O-RING 13,3 X 2,4 / GASKET / BAQUE D'ETANCHEITE	6.362-078.0	2	19	MUTTER / NUT / ECROU	5.310-076.0	1
7	SCHLAUCHNIPPEL / HOSE STEM / RACCORD DE FLEXIBLE	5.443-285.0	1	20	BUCHSE / BUSH / DOUILLE	5.112-286.0	1
8	MUTTER / NUT / ECROU	5.310-062.0	2	21	SCHLAUCHNIPPEL / HOSE STEM / RACCORD DE FLEXIBLE	5.443-291.0	1
10	FLACHDICHTUNG / GASKET / GARNITURE PLATE VERSION 1 / 1.027-301.0 / -302.0 / -304.0 / -305.0 / -307.0 / -314.0	5.364-095.0	1	22	SIEB / STRAINER / CREPINE	6.414-141.0	1
11	VENTILBOLZEN / VALVE PIN / BOULON DE SOUPE VERSION 1 / 1.027-301.0 / -302.0 / -304.0 / -305.0 / -307.0 / -314.0	5.584-085.0	1	23	O-RING 19,3 X 2,4 / GASKET / BAQUE D'ETANCHEITE	6.362-161.0	1
12	BEHAELTER / TANK / BAC VERSION 1 / 1.027-301.0 / -302.0 / -304.0 / -305.0 / -314.0	5.070-140.0	1				
12	BEHAELTER / TANK / BAC VERSION 1 / 1.027-307.0	5.070-577.0	1				

"=> xxxxxx" = bis Werknummer / up to serial No. / jusqu' au No. de fabr. / "xxxxxx =>" = ab Werknummer / from serial No. / a partir du No. de fabr. /



Symbolbeschreibung siehe M16 / symbol description see M16 / désignation de système voir M16 /

GRUPPE: 8.2 DGT
GROUP: 8.2 DROP METERING UNIT
GROUPE: 8.2 DGT

E8

HDS 895 S

POS. ITM. POS.	BENNENNUNG DESCRIPTION DESIGNATION	TEILE-NR. PART-NO. NO.PIECE	STCK QTY. NBR.
1	DECKEL / COVER / COUVERCLE / 1.027-301.0 / -302.0 / -304.0 / -305.0 / -307.0 / -312.0 / -313.0 / -314.0 / -320.0 / -321.0	5.063-487.0	1
2	DECKEL / COVER / COUVERCLE / 1.027-301.0 / -302.0 / -304.0 / -305.0 / -307.0 / -312.0 / -313.0 / -314.0 / -320.0 / -321.0	5.063-507.0	1
3	BEHAELTER / TANK / BAC / 1.027-301.0 / -302.0 / -304.0 / -305.0 / -307.0 / -312.0 / -313.0 / -314.0 / -320.0 / -321.0	4.070-188.0	1
4	O-RING 6,0 X 2,0 / GASKET / BAQUE D'ETANCHEITE / 1.027-301.0 / -302.0 / -304.0 / -305.0 / -307.0 / -312.0 / -313.0 / -314.0 / -320.0 / -321.0	6.362-113.0	1
5	MAGNETVENTIL / SOLENOID VALVE / ELECTROVANNE / 1.027-301.0 / -302.0 / -304.0 / -305.0 / -307.0 / -312.0 / -313.0 / -314.0 / -320.0 / -321.0	6.685-845.0	1
6	SCHRAUBENFEDER / HELICAL SPRING / RESSORT CYLINDRIQUE / 1.027-301.0 / -302.0 / -304.0 / -305.0 / -307.0 / -312.0 / -313.0 / -314.0 / -320.0 / -321.0	5.332-001.0	1

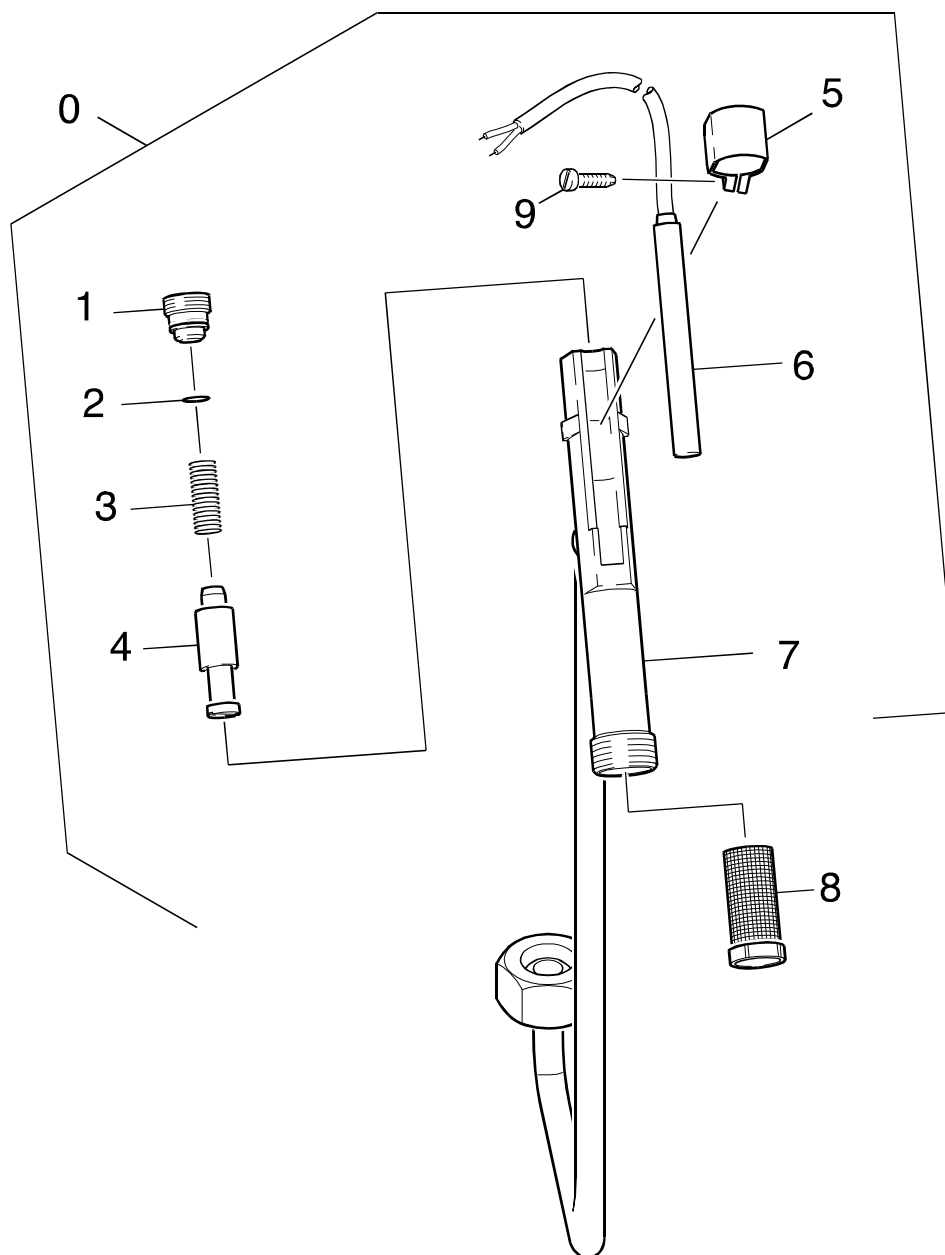
"=> xxxxxx" = bis Werknummer / up to serial No. / jusqu' au No. de fabr. / "xxxxxx =>" = ab Werknummer / from serial No. / a partir du No. de fabr. /

GRUPPE: 9.0 SICHERHEITSBLOCK
GROUP: 9.0 SAFETY SYSTEM
GRUPPE: 9.0 BLOC DE SECURITE

A9

HDS 895 S

GRUPPE: 9.0 SICHERHEITSBLOCK
GROUP: 9.0 SAFETY SYSTEM
GRUPPE: 9.0 BLOC DE SECURITE



Symbolbeschreibung siehe M16 / symbol description see M16 / désignation de système voir M16 /

GRUPPE: 9.0 SICHERHEITSBLOCK
GROUP: 9.0 SAFETY SYSTEM
GROUPE: 9.0 BLOC DE SECURITE

C9

HDS 895 S

POS. ITM. POS.	BENNENUNG DESCRIPTION DESIGNATION	TEILE-NR. PART-NO. NO.PIECE	STCK QTY. NBR.
0	SICHERHEITSBLOCK / SAFETY SYSTEM / BLOC DE SECURITE	4.749-160.0	1
1	FORMSCHRAUBE / FORM SCREW / VIS	5.305-162.0	1
2	O-RING 10 X 1,5 / GASKET / BAQUE D'ETANCHEITE	6.362-482.0	1
3	SCHRAUBENFEDER / HELICAL SPRING / RESSORT CYLINDRIQUE	5.332-057.0	1
4	KOLBEN / PISTON / PISTON	4.553-022.0	1
5	SHELLE / CLAMP / COLLIER	5.041-076.0	1
6	ERSATZREEDSCHALTER / SPARE REED SWITCH / INTERRUPT.REED DE RESERVE	2.880-194.0	1
7	KNOTENSTUECK / MANIFOLD / FERRURE NODALE	4.427-202.0	1
8	SIEB / STRAINER / CREPINE	6.414-566.0	1
9	LINSENSCHR. 4,2X13 / OVAL HEAD SCREW / VIS A TETE BOMBEE	6.303-047.0	1

"=> xxxxxx" = bis Werknummer / up to serial No. / jusqu' au No. de fabr. / "xxxxxx =>" = ab Werknummer / from serial No. / a partir du No. de fabr. /

GRUPPE: 10.0ZUBEHOER
GROUP: 10.0ACCESSORIES
GRUPPE: 10.0ACCESSOIRES

A10

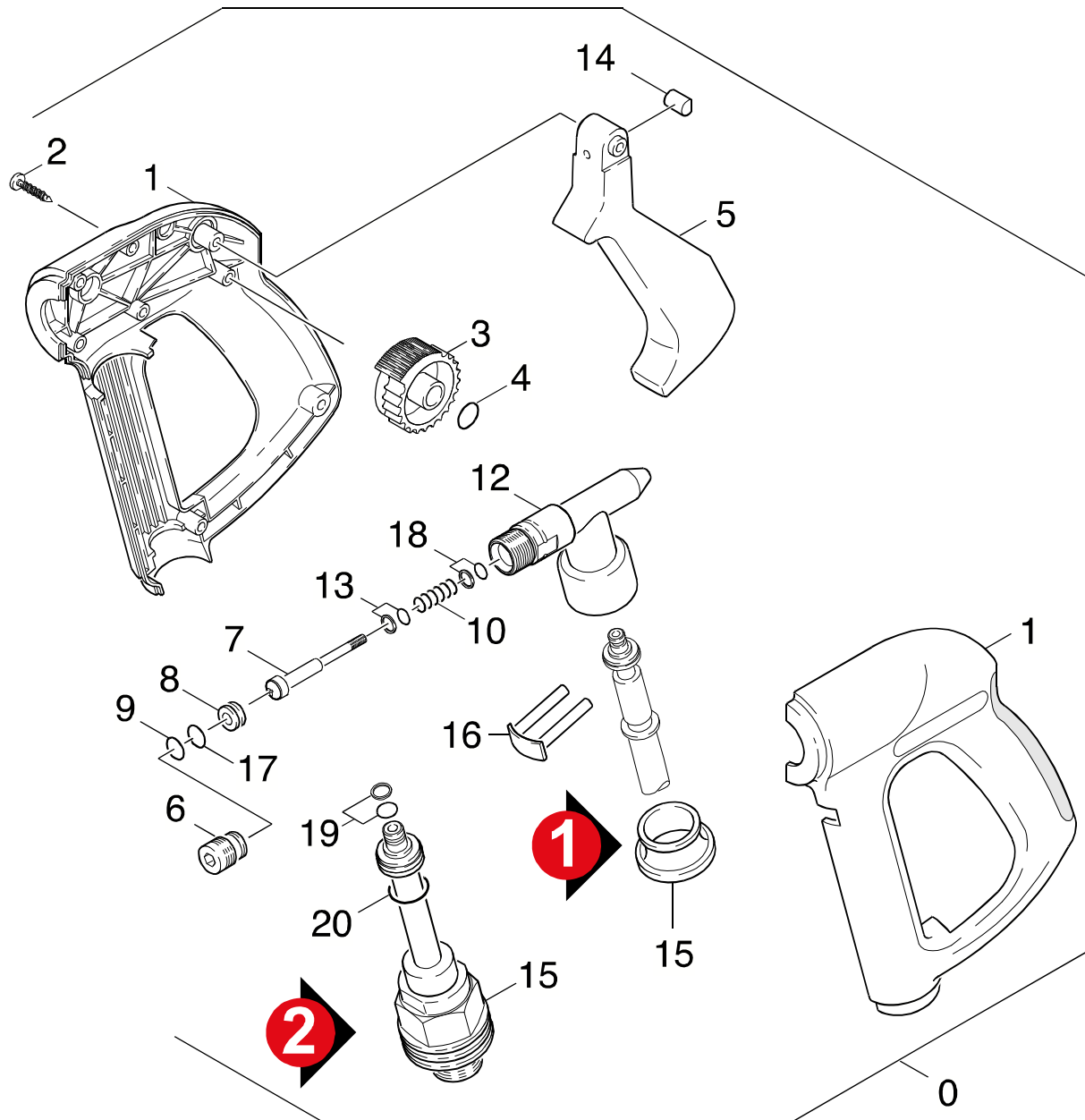
HDS 895 S

GRUPPE: 10.0ZUBEHOER
GROUP: 10.0ACCESSORIES
GRUPPE: 10.0ACCESSOIRES

GRUPPE: 10.1 HANDSPRITZPISTOLE
GROUP: 10.1 TRIGGER GUN
GRUPPE: 10.1 POIGNEE PISTOLET

B10

HDS 895 S



Symbolbeschreibung siehe M16 / symbol description see M16 / désignation de système voir M16 /

GRUPPE: 10.1 HANDSPRITZPISTOLE
 GROUP: 10.1 TRIGGER GUN
 GROUPE: 10.1 POIGNEE PISTOLET

C10

HDS 895 S

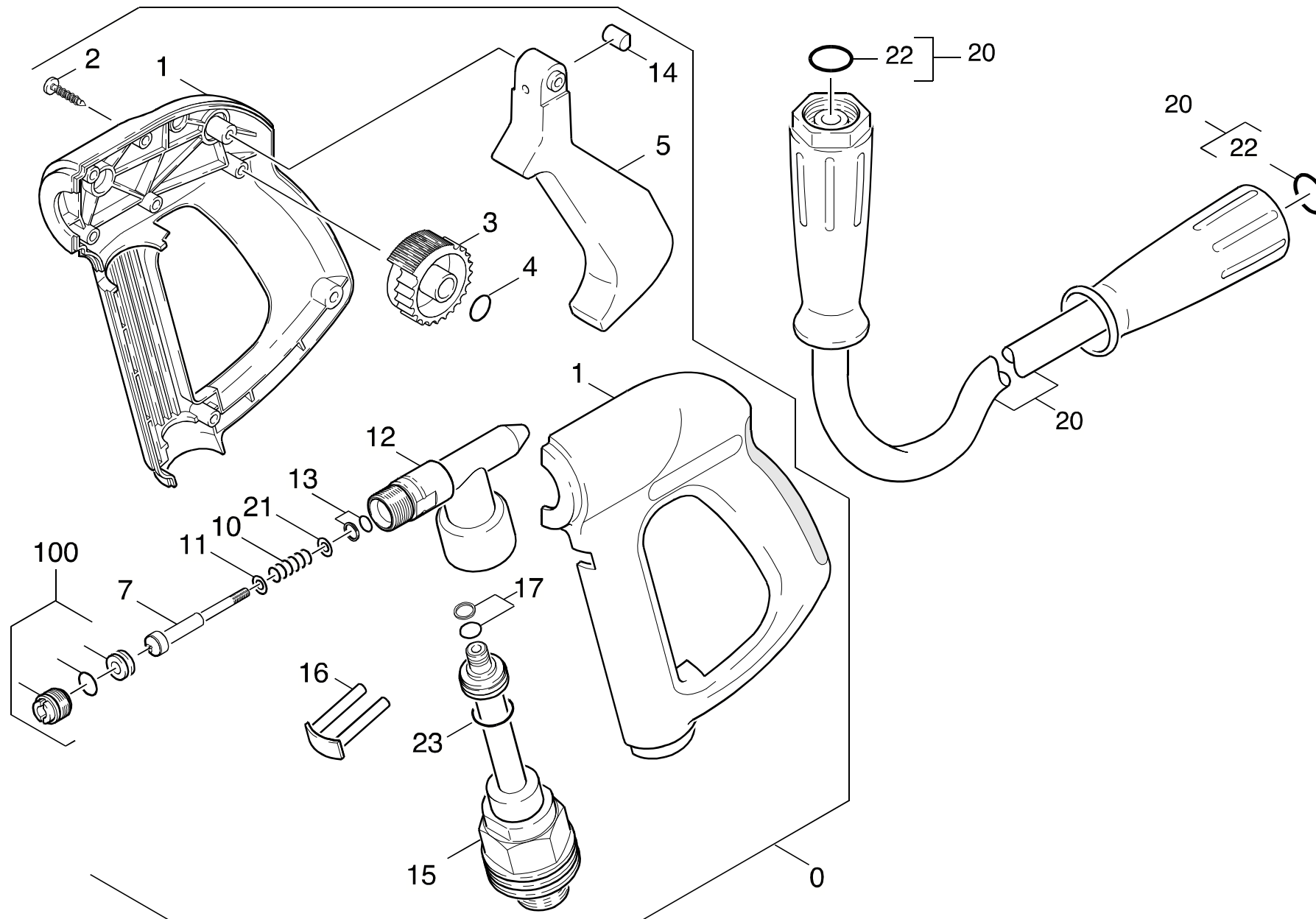
POS. ITM. POS.	BENNENUNG DESCRIPTION DESIGNATION	TEILE-NR. PART-NO. NO.PIECE	STCK QTY. NBR.
0	PISTOLE SERVO-PRESS / PISTOL / PISTOLET / 1.027-301.0 / -302.0 / -305.0 / -307.0 / -312.0 / -314.0 / -320.0 / -321.0	4.775-412.0	1
0	PISTOLE M. SWIVEL / PISTOL / PISTOLET / 1.027-304.0 / -306.0	4.775-427.0	1
1	GRIFPPAAR / HANDLES / BRANCHES POIGNEE	5.321-534.0	1
2	SCHRAUBE 4,2X 22 / SCREW / VIS	6.303-150.0	8
3	HANDRAD / HAND WHEEL / VOLANT	5.322-012.0	1
4	O-RING 7,65X 1,78 / GASKET / BAQUE D'ETANCHEITE	6.362-642.0	1
5	HEBEL / LEVER / LEVIER	5.481-178.0	1
6	HOHLSCHRAUBE / HOLLOW SCREW / BOULON CREUX	5.404-080.0	1
7	KOLBEN / PISTON / PISTON	5.553-348.0	1
8	VENTILSITZ / VALVE SEAT / SIEGE DE SOUPAPE	5.581-243.0	1
9	O-RING 7,65X 1,78 / GASKET / BAQUE D'ETANCHEITE	6.362-182.0	1
10	SCHRAUBENFEDER / HELICAL SPRING / RESSORT CYLINDRIQUE	5.332-413.0	1
12	KNOTENSTUECK / MANIFOLD / FERRURE NODALE	5.427-214.0	1
13	O-RING KOMPL. / GASKET / BAQUE D'ETANCHEITE	6.362-964.0	1
14	BOLZEN / BOLT / BOULON	5.316-400.0	1
15	ADAPTER ROHRLEITUNG / ADAPTER / ADAPTATEUR VERSION 2 / 1.027-304.0 / -306.0	4.421-275.0	1
15	HUELSE / SLEEVE / DOUILLE VERSION 1 / 1.027-301.0 / -302.0 / -305.0 / -307.0 / -314.0	5.110-596.0	1
16	HAKEN / HOOK / PATERE	4.037-013.0	1
17	O-RING 8,0 X 1,0 / GASKET / BAQUE D'ETANCHEITE	6.362-503.0	1
18	O-RING KPL.2,6X1,9 / GASKET / BAQUE D'ETANCHEITE	6.362-992.0	1
19	O-RING KPL./1ST.-R. / GASKET / BAQUE D'ETANCHEITE	6.362-365.0	1
20	O-RING 4,7 X 1,9 / GASKET / BAQUE D'ETANCHEITE	6.362-486.0	1
100	ET-SET / SPARE PARTS SET / JEU DE PIECES DECHANGE	2.883-917.0	1

"=> xxxxxx" = bis Werknummer / up to serial No. / jusqu' au No. de fabr. / "xxxxxx =>" = ab Werknummer / from serial No. / a partir du No. de fabr. /

GRUPPE: 10.2HANDSPRITZPISTOLE
GROUP: 10.2TRIGGER GUN
GRUPPE: 10.2POIGNEE PISTOLET

D10

HDS 895 S



Symbolbeschreibung siehe M16 / symbol description see M16 / désignation de système voir M16 /

GRUPPE: 10.2HANDSPRITZPISTOLE
GROUP: 10.2TRIGGER GUN
GROUPE: 10.2POIGNEE PISTOLET

E10

HDS 895 S

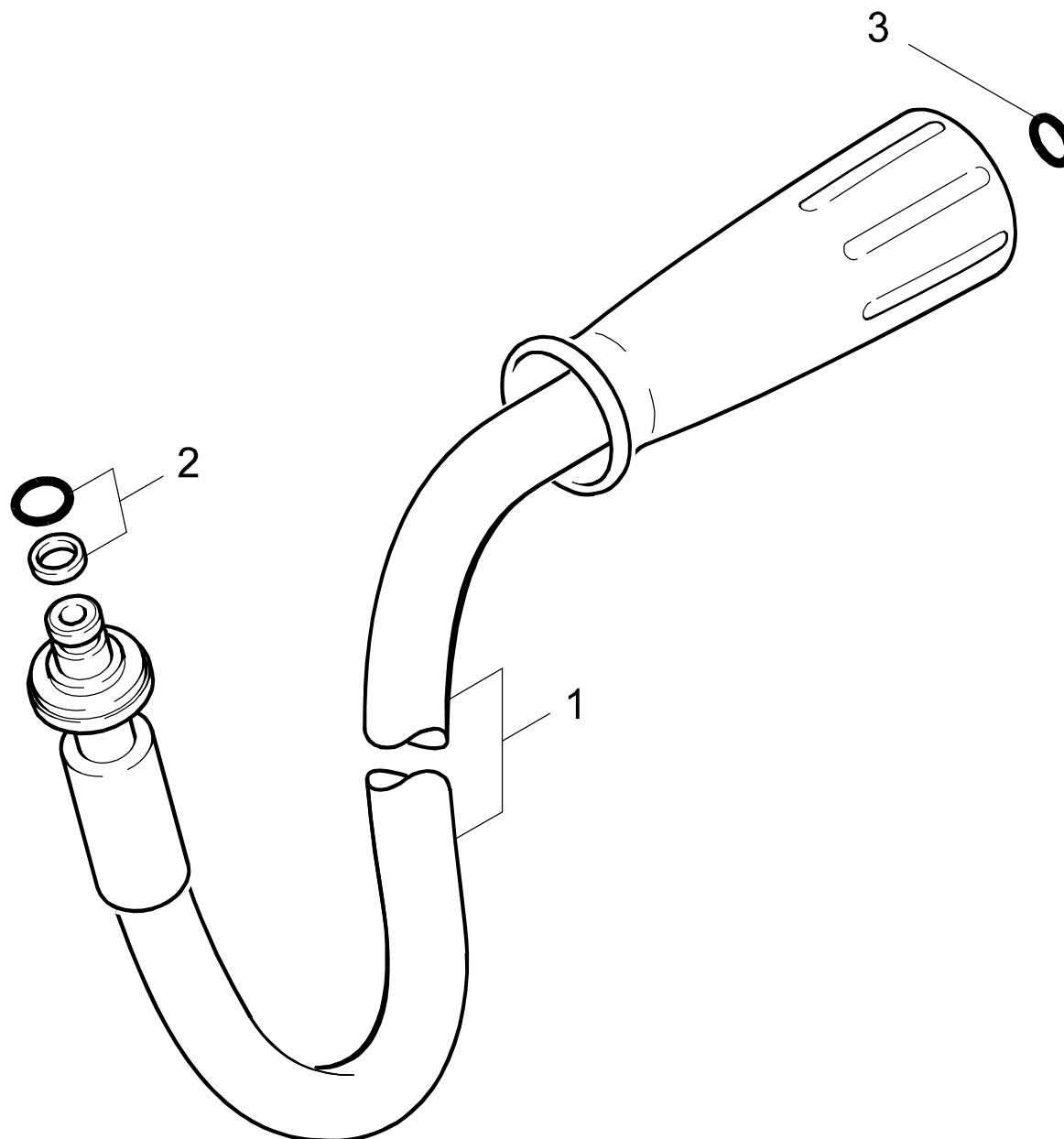
POS. ITM. POS.	BENNENUNG DESCRIPTION DESIGNATION	TEILE-NR. PART-NO. NO.PIECE	STCK QTY. NBR.
0	HANDSPRITZPISTOLE / TRIGGER GUN / POIGNEE PISTOLET	4.775-282.0	1
1	GRIFFPAAAR / HANDLES / BRANCHES POIGNEE	5.321-494.0	1
2	SCHRAUBE 4,2X 22 / SCREW / VIS	6.303-150.0	8
3	HANDRAD / HAND WHEEL / VOLANT	5.322-011.0	1
4	O-RING 7,65X 1,78 / GASKET / BAQUE D'ETANCHEITE	6.362-642.0	1
5	HEBEL / LEVER / LEVIER	5.481-178.0	1
7	KOLBEN / PISTON / PISTON	5.553-347.0	1
10	SCHRAUBENFEDER / HELICAL SPRING / RESSORT CYLINDRIQUE	5.332-384.0	1
11	SCHEIBE / WASHER / RONDELLE	5.115-675.0	1
12	KNOTENSTUECK / MANIFOLD / FERRURE NODALE	5.427-205.0	1
13	O-RING KPL.2,6X1,9 / GASKET / BAQUE D'ETANCHEITE	6.362-992.0	1
14	BOLZEN / BOLT / BOULON	5.316-400.0	1
15	ADAPTER ROHRLEITUNG / ADAPTER / ADAPTATEUR	4.421-275.0	1
16	HAKEN / HOOK / PATERE	4.037-013.0	1
17	O-RING KPL./1ST.-R. / GASKET / BAQUE D'ETANCHEITE	6.362-365.0	1
20	HD-SCHLAUCH DN8 / HIGH PRESSURE HOSE / TUYAU FLEXIBLE HAUTE PRE.	6.390-010.0	1
21	SCHEIBE / WASHER / RONDELLE	5.115-661.0	1
22	ERSATZTEILSET / SPARE PARTS KIT / KIT DE PIECES	2.880-296.0	1
23	O-RING 4,7 X 1,9 / GASKET / BAQUE D'ETANCHEITE	6.362-486.0	1
100	ET-SET / SPARE PARTS SET / JEU DE PIECES DECHANGE	2.883-903.0	1

"=> xxxxxx" = bis Werknummer / up to serial No. / jusqu' au No. de fabr. / "xxxxxx =>" = ab Werknummer / from serial No. / a partir du No. de fabr. /

GRUPPE: 10.3HD-SCHLAUCH
GROUP: 10.3HIGH PRESSURE HOSE
GRUPPE: 10.3TUYAU FLEXIBLE HAUTE PRE.

F10

HDS 895 S



Symbolbeschreibung siehe M16 / symbol description see M16 / désignation de système voir M16 /

GRUPPE: 10.3HD-SCHLAUCH
GROUP: 10.3HIGH PRESSURE HOSE
GRUPPE: 10.3TUYAU FLEXIBLE HAUTE PRE.

G10

HDS 895 S

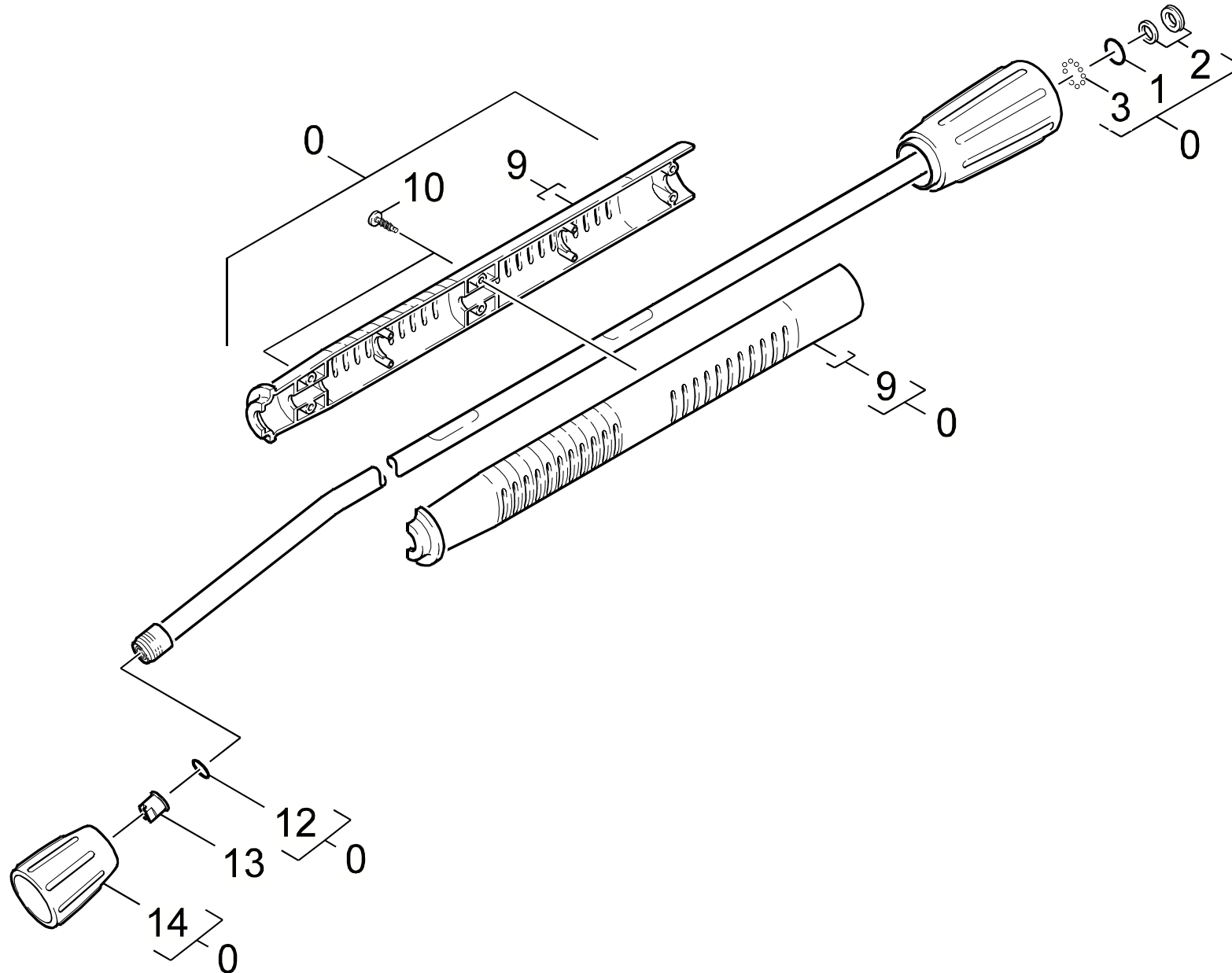
POS. ITM. POS.	BENNENUNG DESCRIPTION DESIGNATION	TEILE-NR. PART-NO. NO.PIECE	STCK QTY. NBR.
1	HD-SCHLAUCH DN 8 / HIGH PRESSURE HOSE / TUYAU FLEXIBLE HAUTE PRE. / 1.027-301.0 / -302.0 / -305.0 / -307.0 / -312.0 / -314.0	6.389-856.0	1
1	HD-SCHLAUCH DN 8 / HIGH PRESSURE HOSE / TUYAU FLEXIBLE HAUTE PRE. / 1.027-304.0 / -306.0 / -313.0	6.390-026.0	1
1	HD-SCHLAUCH DN 8 / HIGH PRESSURE HOSE / TUYAU FLEXIBLE HAUTE PRE. / 1.027-320.0 / -321.0	6.390-208.0	1
2	O-RING KPL./1ST.-R. / GASKET / BAQUE D'ETANCHEITE	6.363-116.0	1
3	ERSATZTEILSET / SPARE PARTS KIT / KIT DE PIECES	2.880-296.0	1

"=> xxxxxx" = bis Werknummer / up to serial No. / jusqu' au No. de fabr. / "xxxxxx =>" = ab Werknummer / from serial No. / a partir du No. de fabr. /

GRUPPE: 10.4 STRAHLROHR / VERSION 1 /
GROUP: 10.4 JET PIPE / VERSION 1 /
GRUPPE: 10.4 LANCE D'INCENDIE / VERSION 1 /

H10

HDS 895 S



Symbolbeschreibung siehe M16 / symbol description see M16 / désignation de système voir M16 /

GRUPPE: 10.4STRAHLROHR / VERSION 1 /
GROUP: 10.4JET PIPE / VERSION 1 /
GRUPPE: 10.4LANCE D'INCENDIE / VERSION 1 /

I10

HDS 895 S

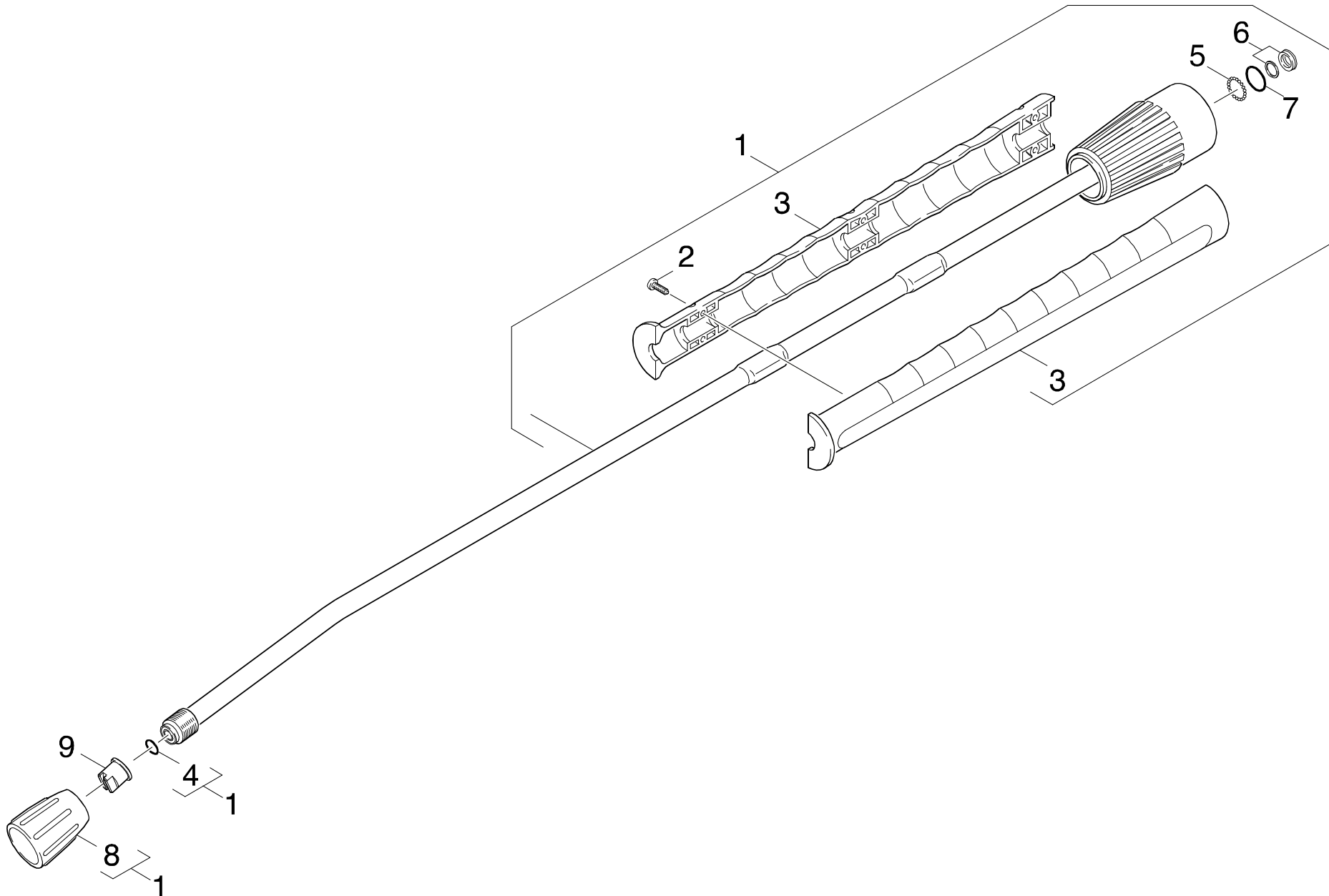
POS. ITM. POS.	BENNENUNG DESCRIPTION DESIGNATION	TEILE-NR. PART-NO. NO.PIECE	STCK QTY. NBR.
0	STRAHLROHR KPL. / JET PIPE / LANCE D'INCENDIE	4.760-550.0	1
1	O-RING 17,0 X 1,5 / GASKET / BAQUE D'ETANCHEITE	6.362-524.0	1
2	NUTRING KPL.1ST.R. / GROOVED RING / JOINT A LEVRES	6.362-532.0	1
3	KUGEL 2,5 G40 / BALL / BOULE	7.401-915.0	20
9	GRIFFPAAAR / HANDLES / BRANCHES POIGNEE	5.321-691.0	1
10	LINSENSCHR. 4,2X 16 / OVAL HEAD SCREW / VIS A TETE BOMBEE	6.303-199.0	6
12	O-RINGSET / GASKET SET / JUE DE BAGUES D'ENTCHEITE	2.880-154.0	1
13	POWERDUESE 25054 / POWER NOZZLE / BUSE	2.883-927.0	1
14	VERSCHRAUBUNGSTEIL / SCREW UNION PART / PIECE (RACCORD A VIS)	5.401-210.0	1

"=> xxxxxx" = bis Werknummer / up to serial No. / jusqu' au No. de fabr. / "xxxxxx =>" = ab Werknummer / from serial No. / a partir du No. de fabr. /

GRUPPE: 10.5 STRAHLROHR / VERSION 2 /
GROUP: 10.5 JET PIPE / VERSION 2 /
GRUPPE: 10.5 LANCE D'INCENDIE / VERSION 2 /

J10

HDS 895 S



Symbolbeschreibung siehe M16 / symbol description see M16 / désignation de système voir M16 /

GRUPPE: 10.5 STRAHLROHR / VERSION 2 /
GROUP: 10.5 JET PIPE / VERSION 2 /
GRUPPE: 10.5 LANCE D'INCENDIE / VERSION 2 /

K10

HDS 895 S

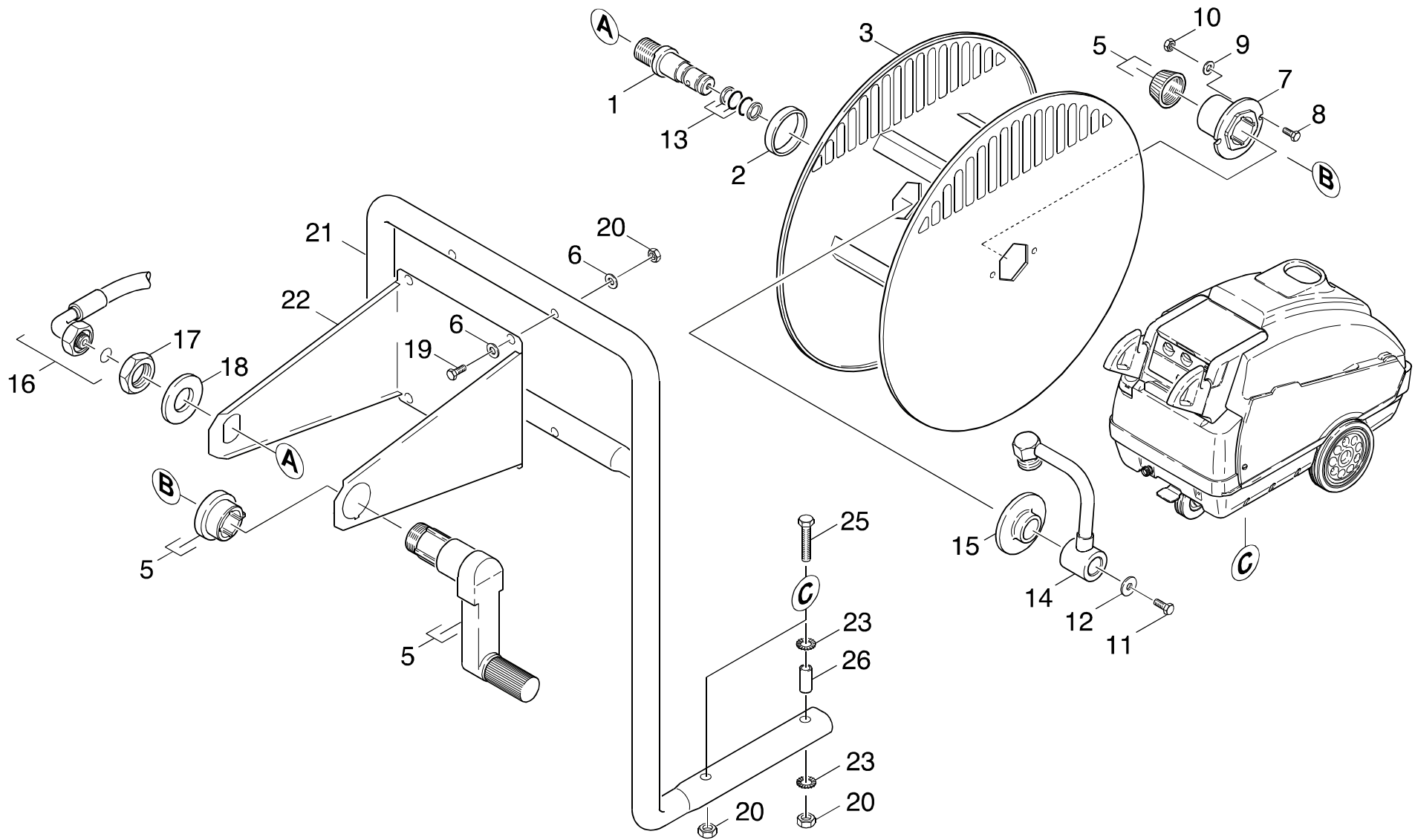
POS. ITM. POS.	BENNENUNG DESCRIPTION DESIGNATION	TEILE-NR. PART-NO. NO.PIECE	STCK QTY. NBR.
1	STRAHLROHR KPL. / JET PIPE / LANCE D'INCENDIE	4.760-550.0	1
2	SCHRAUBE 4 X 16 / SCREW / VIS	7.303-129.0	6
3	GRIFFPaar / HANDLES / BRANCHES POIGNEE	5.321-691.0	1
4	ERSATZTEILSET / SPARE PARTS KIT / KIT DE PIECES	2.880-296.0	1
5	KUGEL 2,5 G40 / BALL / BOULE	7.401-915.0	20
6	NUTRING KPL.1ST.R. / GROOVED RING / JOINT A LEVRES	6.362-532.0	1
7	O-RING 17,0 X 1,5 / GASKET / BAQUE D'ETANCHEITE	6.362-524.0	1
8	VERSCHRAUBUNGSTEIL / SCREW UNION PART / PIECE (RACCORD A VIS)	5.401-210.0	1
9	POWERDUESE 25054 / POWER NOZZLE / BUSE	2.883-927.0	1

"=> xxxxxx" = bis Werknummer / up to serial No. / jusqu' au No. de fabr. / "xxxxxx =>" = ab Werknummer / from serial No. / a partir du No. de fabr. /

GRUPPE: 10.6SCHLAUCHTROMMEL
GROUP: 10.6HOSE REEL
GRUPPE: 10.6TAMBOUR ENROULEUR

L10

HDS 895 S



Symbolbeschreibung siehe M16 / symbol description see M16 / désignation de système voir M16 /

GRUPPE: 10.6SCHLAUCHTROMMEL
 GROUP: 10.6HOSE REEL
 GROUPE: 10.6TAMBOUR ENROULEUR

M10

HDS 895 S

POS. ITM. POS.	BENNENNUNG DESCRIPTION DESIGNATION	TEILE-NR. PART-NO. NO.PIECE	STCK QTY. NBR.	POS. ITM. POS.	BENNENNUNG DESCRIPTION DESIGNATION	TEILE-NR. PART-NO. NO.PIECE	STCK QTY. NBR.
1	ZAPFEN / PIN / TOURILLON / 1.027-320.0 / -321.0	5.108-098.0	1	19	ZYL.SCHR. M 8X 40 / CHEESE HEAD SCREW / VIS A TETE CYLINDR. / 1.027-320.0 / -321.0	7.306-114.0	4
2	HUELSE / SLEEVE / DOUILLE / 1.027-320.0 / -321.0	5.110-340.0	1	20	6KT-MUTTER M 8 / HEXAGON NUT / ECROU HEXAGONAL / 1.027-320.0 / -321.0	7.311-004.0	8
3	SCHLAUCHTROMMEL / HOSE REEL / TAMBOUR ENROULEUR / 1.027-320.0 / -321.0	4.204-504.0	1	21	HALTER KPL. / BRACKET / FIXATION	4.044-034.0	1
5	ET SET SCHLAUCHTROMMEL / SPARE PART / PIECE DE RECHANGE / 1.027-320.0 / -321.0	2.884-318.0	1	22	BLECHTEIL / PLATE / TOLE / 1.027-320.0 / -321.0	5.046-485.0	1
6	SCHEIBE 8 / WASHER / RONDELLE / 1.027-320.0 / -321.0	7.312-004.0	8	23	ZAHNSCHEIBE A 8,4 / LOCK WASHER / ROUE PLATE / 1.027-320.0 / -321.0	7.312-166.0	4
7	BUECHSE / BUSH / DOUILLE / 1.027-320.0 / -321.0	5.112-304.0	1	24	ZYL.SCHR. M 8X 30 / CHEESE HEAD SCREW / VIS A TETE CYLINDR. / 1.027-320.0 / -321.0	7.306-110.0	2
8	SCHRAUBE M 4X 12 / SCREW / VIS / 1.027-320.0 / -321.0	7.306-058.0	2	25	6KT-SCHR. M 8X 60 / HEXAGONAL HEAD SCREW / VIS HEXAGONAL / 1.027-320.0 / -321.0	7.304-401.0	4
9	SCHEIBE 4 / WASHER / RONDELLE / 1.027-320.0 / -321.0	7.312-001.0	2	26	HUELSE / SLEEVE / DOUILLE / 1.027-320.0 / -321.0	5.110-778.0	4
10	6KT-MUTTER M 4 / HEXAGON NUT / ECROU HEXAGONAL / 1.027-320.0 / -321.0	7.311-001.0	2				
11	6KT-SCHR. M 6X 8 / HEXAGONAL HEAD SCREW / VIS HEXAGONAL / 1.027-320.0 / -321.0	7.304-540.0	1				
12	SCHEIBE 6 / WASHER / RONDELLE / 1.027-320.0 / -321.0	7.312-260.0	1				
13	O-RING KPL./1ST.-R. / GASKET / BAQUE D'ETANCHEITE / 1.027-320.0 / -321.0	6.362-466.0	2				
14	ROHRKRUEMMER / ELBOW / COUDE DE TUBE / 1.027-320.0 / -321.0	4.408-044.0	1				
15	BUECHSE / BUSH / DOUILLE / 1.027-320.0 / -321.0	5.112-305.0	1				
16	HD-SCHLAUCH DN 8 / HIGH PRESSURE HOSE / TUYAU FLEXIBLE HAUTE PRE. / 1.027-320.0 / -321.0	6.390-123.0	1				
17	6KT-MUTTER M22X1,5 / HEXAGON NUT / ECROU HEXAGONAL / 1.027-320.0 / -321.0	7.311-155.0	1				
18	SCHEIBE 22 / WASHER / RONDELLE / 1.027-320.0 / -321.0	7.312-024.0	1				

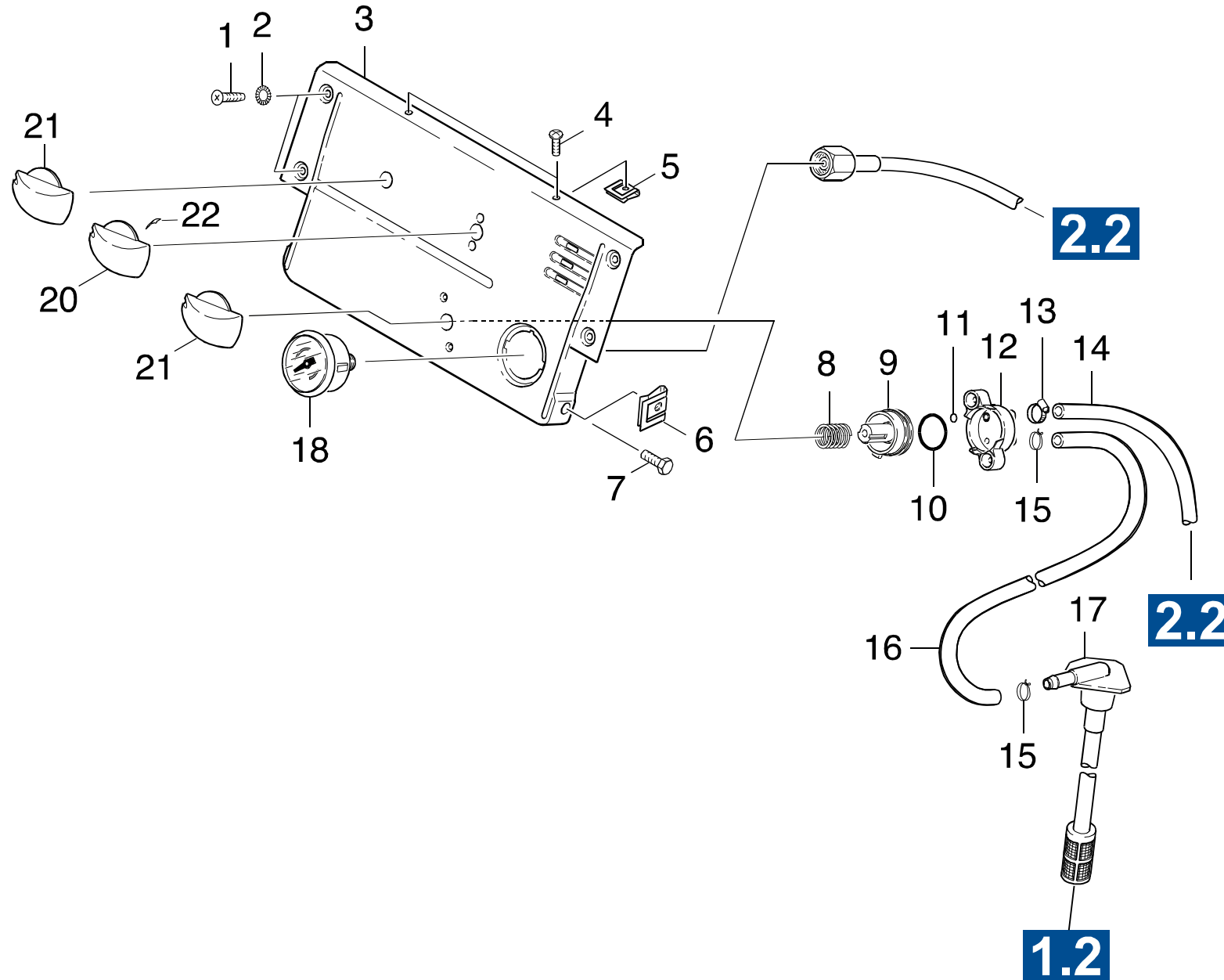
"=> xxxxxx" = bis Werknummer / up to serial No. / jusqu' au No. de fabr. / "xxxxxx =>" = ab Werknummer / from serial No. / a partir du No. de fabr. /

GRUPPE: 11.0 INSTRUMENTENTAFEL
GROUP: 11.0 CONTROL PANEL
GRUPPE: 11.0 TABLEAU DE BORD

A11

HDS 895 S

GRUPPE: 11.0 INSTRUMENTENTAFEL
GROUP: 11.0 CONTROL PANEL
GRUPPE: 11.0 TABLEAU DE BORD



Symbolbeschreibung siehe M16 / symbol description see M16 / désignation de système voir M16 /

GRUPPE: 11.0 INSTRUMENTENTAFEL
 GROUP: 11.0 CONTROL PANEL
 GROUPE: 11.0 TABLEAU DE BORD

C11

HDS 895 S

POS. ITM. POS.	BENNENUNG DESCRIPTION DESIGNATION	TEILE-NR. PART-NO. NO.PIECE	STCK QTY. NBR.
1	SCHRAUBE M 5X 12 / SCREW / VIS	7.303-038.0	4
2	ZAHNSCHEIBE A 5,3 / LOCK WASHER / ROUE PLATE	7.312-172.0	4
3	INSTRUMENTENTAFEL / CONTROL PANEL / TABLEAU DE BORD	5.841-403.0	1
	/ 1.027-301.0 / -302.0 / -304.0 / -305.0 / -306.0 / -307.0 / -312.0 / -313.0 / -314.0		
3	INSTRUMENTENTAFEL / CONTROL PANEL / TABLEAU DE BORD	5.841-433.0	1
	/ 1.027-320.0 / -321.0		
4	BL.SCHR. ST4,8X19 / SHEET METAL SCREW / VIS A TOLE	7.303-078.0	2
5	BLECHMUTTER / NUT / ECROU	6.310-034.0	2
6	STECKMUTTER M6 / NUT / ECROU	6.310-082.0	2
7	6KT-SCHR. M 6X 12 / HEXAGONAL HEAD SCREW / VIS HEXAGONAL	7.304-382.0	2
8	SCHRAUBENFEDER / HELICAL SPRING / RESSORT CYLINDRIQUE	5.332-474.0	1
9	VENTILSITZ / VALVE SEAT / SIEGE DE SOUPAPE	5.581-251.0	1
10	O-RING 25,3 X 2,4 / GASKET / BAQUE D'ETANCHEITE	6.362-712.0	1
11	O-RING 5 X 1,5 / GASKET / BAQUE D'ETANCHEITE	6.362-386.0	1
12	VENTILGEHAEUSE / VALVE HOUSING / CORPS DE SOUPAPE	5.587-054.0	1
13	SCHLAUCHSCHELLE / HOSE BAND CLIP / COLLIER DE SERRAGE	6.388-515.0	1
14	SCHLAUCH DN 7 / HOSE / TUYAU FLEXIBLE	6.388-194.0	1
	ALS METERWARE BESTELLEN/TO ORDER AS CUT GOODS/COMMANDE COMME MARCHANDISE AU METRE		
15	SCHLAUCHSCHELLE / HOSE BAND CLIP / COLLIER DE SERRAGE	6.388-559.0	2
16	SCHLAUCH DN 7 / HOSE / TUYAU FLEXIBLE	6.388-225.0	1
	ALS METERWARE BESTELLEN/TO ORDER AS CUT GOODS/COMMANDE COMME MARCHANDISE AU METRE		
17	FILTER / FILTER / FILTRE	6.414-028.0	1
18	MANOMETER 0-315 BAR / PRESSURE GAUGE / MANOMETRE	6.421-170.0	1
20	GRIFF / HANDLE / POIGNEE	5.321-641.0	1
21	GRIFF / HANDLE / POIGNEE	5.321-633.0	2
22	KLEMMFEDER / SPRING / RESSORT DE FRICTION	6.313-014.0	1

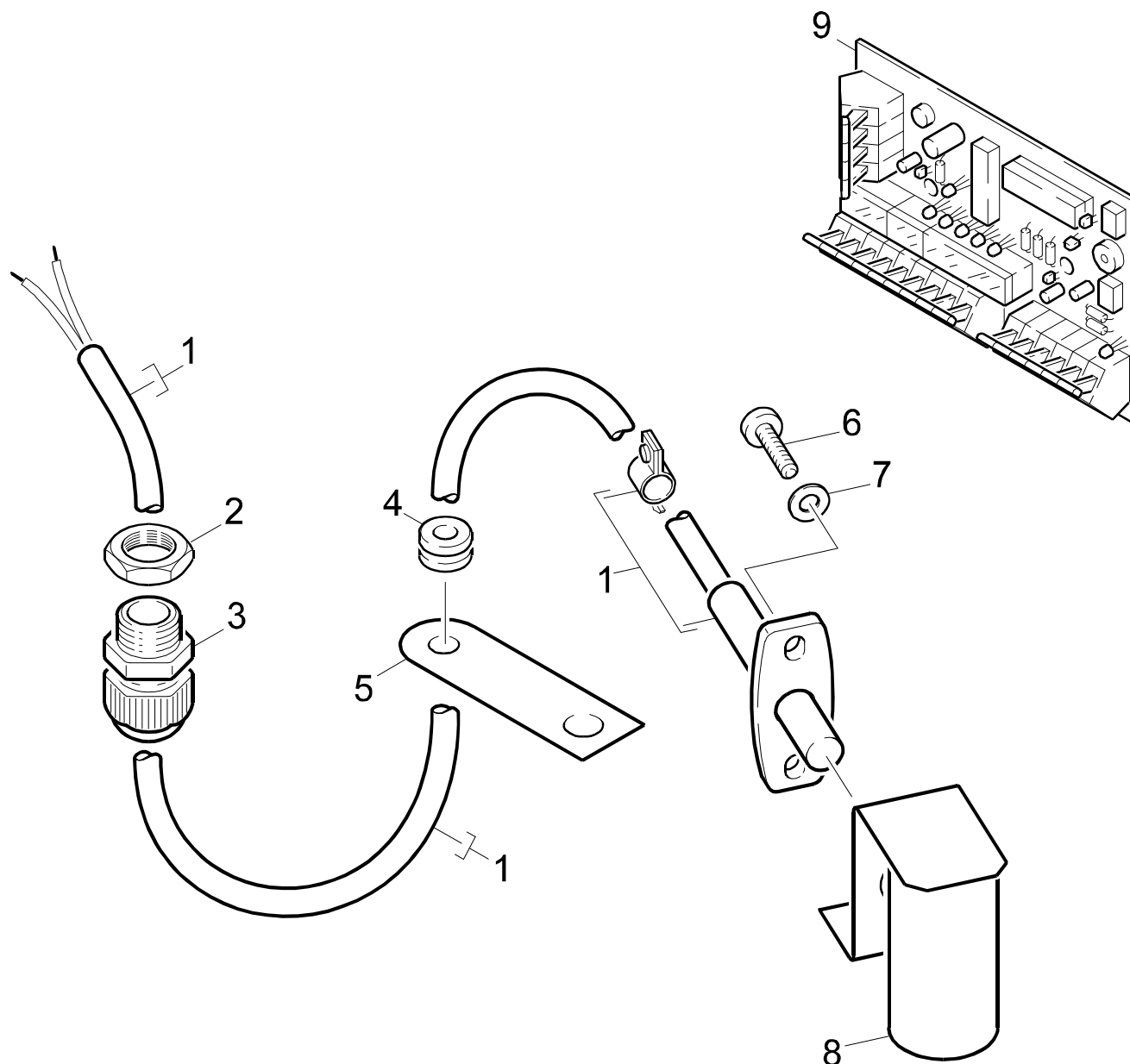
"=> xxxxxx" = bis Werknummer / up to serial No. / jusqu' au No. de fabr. / "xxxxxx =>" = ab Werknummer / from serial No. / a partir du No. de fabr. /

GRUPPE: 12.0FLAMMUEBERWACHUNG / (1.027-312) /
GROUP: 12.0FLAME GUARD / (1.027-312) /
GROUPE: 12.0CONTROLEUR DE FLAMME / (1.027-312) /

A12

HDS 895 S

GRUPPE: 12.0FLAMMUEBERWACHUNG
GROUP: 12.0FLAME GUARD
GROUPE: 12.0CONTROLEUR DE FLAMME



Symbolbeschreibung siehe M16 / symbol description see M16 / désignation de système voir M16 /

GRUPPE: 12.0 FLAMMENSÜBERWACHUNG / (1.027-312) /
GROUP: 12.0 FLAME GUARD / (1.027-312) /
GROUPE: 12.0 CONTRÔLEUR DE FLAMME / (1.027-312) /

C12

HDS 895 S

POS. ITM. POS.	BENNENUNG DESCRIPTION DESIGNATION	TEILE-NR. PART-NO. NO.PIECE	STCK QTY. NBR.
1	LICHTFUEHLER / LIGHT PROBE / CELLULE PHOTOELECTRIQUE	6.664-030.0	1
2	KABELVERSCHRAUBUNG / CABLE CONNECTOR / RACCORD DE CABLES	6.648-391.0	1
3	BLINDSTOPFEN / BLIND PLUG / BOUCHON	6.648-422.0	1
4	DURCHFUEHR.TUELLE / BUSH / DOUILLE DE TRAVERSEE	6.641-638.0	1
	/ 1.027-312.0		
5	HALTER / BRACKET / FIXATION	5.042-833.0	1
	/ 1.027-312.0		
6	SCHRAUBE M 4X 16 / SCREW / VIS	7.303-033.0	2
7	SCHEIBE 4 / WASHER / RONDELLE	7.312-001.0	2
	/ 1.027-312.0		
8	HALTER / BRACKET / FIXATION	4.043-246.0	1
9	PLATINE BRENNER / CIRCUIT BOARD / PLATINE	6.682-306.0	1
	/ 1.027-312.0		

"=> xxxxxx" = bis Werknummer / up to serial No. / jusqu' au No. de fabr. / "xxxxxx =>" = ab Werknummer / from serial No. / a partir du No. de fabr. /

Bestellhinweis

Bei Ihrer Bestellung sind unbedingt anzugeben :

1.	2.	3.	4.	5.
Gerätetyp Machine model Type d'appareils	Herstell-Nr. Serial-No. No. de série	Benennung Description Désignation	Teile-Nr. Part No. Référence	Stückzahl Piece No. Quantité



**siehe Typenschild
see name-plate
voir plaque signalétique**



**siehe Ersatzteilliste
see spare parts list
voir liste des pièces de rechange**

- Die Ersatzteile, welche als Meterware geliefert werden, sind auf Einbaulänge selbst zu kürzen. Ebenso sind die Stückzahlen in den jeweiligen Gruppen als Mindestbestellmengen = 1m angegeben und können je nach Bedarf auf weitere volle Meterzahlen erhöht und bestellt werden.
- Spare Parts which are delivered as cut goods have to be shortened to installation length. The quotation of quantity in each group refers to the minimum order quantity = 1m and may be ordered and raised to further full metre-values according to demand
- Les pièces de rechange qui sont livrées comme marchandise au mètre sont à raccourcir selon la longueur d'installation. Les indications de quantité dans chaque group se réfèrent à des valeurs de mètre de plus.
- Diese Ersatzteilliste erscheint in gedruckter Form sowie als Mikrofiche. Bei Querverweisen bezieht sich die Angabe "Seitenzahl" auf die gedruckte Ersatzteilliste und die Angabe "Bildtafel" auf die Mikrofilmausgabe.
- This spare parts list is published both in printed form and as a microfiche. In the cross-references, "page number" refers to the printed spare parts list and "display table" to the microfilm edition.
- Cette liste de pièces de rechange est aussi bien imprimée que publiée sous forme de microfiche. Les indications transversales renvoient au "numéro de page" sur la liste imprimée des pièces de rechange et à la "planche" sur la microfiche.

Bitte beachten Sie, daß der Teileumfang dieser Ersatzteilliste nicht unbedingt dem Lieferumfang Ihres Gerätes entspricht.

For your information: It could be that certain parts quoted in this spare parts list were not included with the machine delivery.

Pour votre information: il se peut que certaines pièces détachées mentionnées sur la liste ne vous aient pas été livrées avec l'appareil.

Die in dieser Ersatzteilliste nicht aufgeführten Einzelteile, bestellen Sie bitte direkt beim Vertragskundendienst des jeweiligen Herstellers.

Please order the individual parts not included in this assembly directly with the contract aftersales service of the manufacturer in question.

Veillez s'il vous plaît, commander les pièces détachées qui ne sont indiquées dans notre liste des pièces détachées, directement auprès du service après-vente des fabricants en question.

Bei Bestellung von lackierten Teilen, welche in der Ersatzteilliste nicht in verschiedenen Farben ausgewiesen sind, ist zusätzlich die Farbnummer oder Farbe mit anzugeben. Diese finden Sie auf dem Typenschild oder Farbschild Ihres Gerätes.

Upon ordering of varnished parts which are not mentioned in the spare parts list as parts with different colors, kindly additionally mention the number of the color. It can be seen on the type plate of the color plate of your machine.

Commandant des parts vernissés qui ne sont pas mentionnés comme parts avec une couleur différente dans la liste des pièces détachées, veuillez mentionner de plus le numéro de la couleur. Il se trouve sur la plaque signalétique ou la plaque de couleur de votre machine.

Auflistungen von Einzelteilen bei Ersatzteil - u. Pumpensets sind in der Reihe "16" einzusehen, bzw. direkt unter dem entsprechenden Set aufgelistet.

Listings of single parts upon spare parts kits and pump kits can be seen in row "16" or directly listed below the corresponding kit.
Des établissements des pièces détachées en ce qui concerne les kits des pièces de rechange et les kits de pompes, peuvent être vus à la ligne "16" ou ils sont répertoriés directement au-dessous du jeu correspondant.

Technische Änderungen im Rahmen der Weiterentwicklung sowie das Recht der ausschließlichen Auswertung unseres geistigen Eigentums behalten wir uns vor. Vervielfältigung und Nachdruck nur mit Genehmigung und Urheberhinweis möglich.

We reserve the right to make technical changes in the course of development work and the right to make exclusive use of our intellectual property. This spare parts list may be duplicated or reprinted only with our approval and with acknowledgement of our copyright.

Nous nous réservons le droit de toutes modifications techniques dans le cadre du perfectionnement des mises au point ainsi que le droit de la mise en valeur exclusive de notre propriété intellectuelle. Polycopie et reproduction exclusivement après accord et avec mention de l'auteur.

INDEX

M16

HDS 895 S

GRUPPE: 1.0 EINZELTEILE GROUP: 1.0 PIECE PARTS GRUPPE: 1.0 PIECES CONSTITUANTES	A1-G1	GRUPPE: 9.0 SICHERHEITSBLOCK GROUP: 9.0 SAFETY SYSTEM GRUPPE: 9.0 BLOC DE SECURITE	A9-C9
GRUPPE: 2.0 PUMPENSATZ GROUP: 2.0 PUMP SET GRUPPE: 2.0 JEU (ENSEMBLE) DE POMPE	A2-K2	GRUPPE: 10.0 ZUBEHOER GROUP: 10.0 ACCESSORIES GRUPPE: 10.0 ACCESSOIRES	A10-M10
GRUPPE: 3.0 MOTOR GROUP: 3.0 MOTOR GRUPPE: 3.0 MOTEUR	A3-C3	GRUPPE: 11.0 INSTRUMENTENTAFEL GROUP: 11.0 CONTROL PANEL GRUPPE: 11.0 TABLEAU DE BORD	A11-C11
GRUPPE: 4.0 GEBLAESE GROUP: 4.0 BLOWER GRUPPE: 4.0 VENTILATEUR	A4-C4	GRUPPE: 12.0 FLAMMENUEBERWACHUNG GROUP: 12.0 FLAME GUARD GRUPPE: 12.0 CONTROLEUR DE FLAMME	A12-C12
GRUPPE: 5.0 BRENNSTOFFSYSTEM GROUP: 5.0 FUEL SYSTEM GRUPPE: 5.0 SYSTEME DE COMBUSTIBLE	A5-E5		
GRUPPE: 6.0 E-GERAETESCHRANK GROUP: 6.0 ELECTRIC CONTROL BOX GRUPPE: 6.0 COFFRET ELECTRIQUE	A6-E6		
GRUPPE: 7.0 DURCHLAUFERHITZER GROUP: 7.0 FLOW HEATER GRUPPE: 7.0 CHAUFFE-EAU RAPIDE	A7-G7		
GRUPPE: 8.0 SCHWIMMERKASTEN GROUP: 8.0 FLOAT CHEST GRUPPE: 8.0 BOITE DU FLOTTEUR	A8-E8		



BEISPIEL: VERSION 1
EXAMPLE: VERSION 1
EXEMPLE: VERSION 1

3.0

BEISPIEL: SIEHE IN GRUPPE 3
EXAMPLE: SEE IN GROUP 3
EXEMPLE: VOIR EN GROUPE 3



WICHTIGER HINWEIS
IMPORTANT REMARK
REMARCAQUAGE IMPORTANT

BESTELLMHINWEIS SIEHE M15
EXAMPLE ORDER SEE M15
EXEMPLE DE COMMANDE VOIR M15

VARIANTENÜBERSICHT SIEHE L16
VARIANTS SURVEY SEE L16
VUE D'ENSEMBLE DE VARIANTS VOIR L16