

Ersatzteilliste
Spare Parts List
Liste des pièces de rechange

HDS 995

1.027-111.0	HDS 995	*EUR
1.027-281.0	HDS 995	*GB-AUS
1.027-291.0	HDS 995	* CH
1.027-611.0	HDS 995	* SF
1.027-801.0	HDS 995	-ARAL
1.027-811.0	HDS 995	-BP
1.027-821.0	HDS 995	-ESSO
1.027-831.0	HDS 995	-DEA
1.027-861.0	HDS 995-FLAMM	*SE

GRUPPE: 1.0 EINZELTEILE
GROUP: 1.0 PIECE PARTS
GRUPPE: 1.0 PIECES CONSTITUANTES

A1

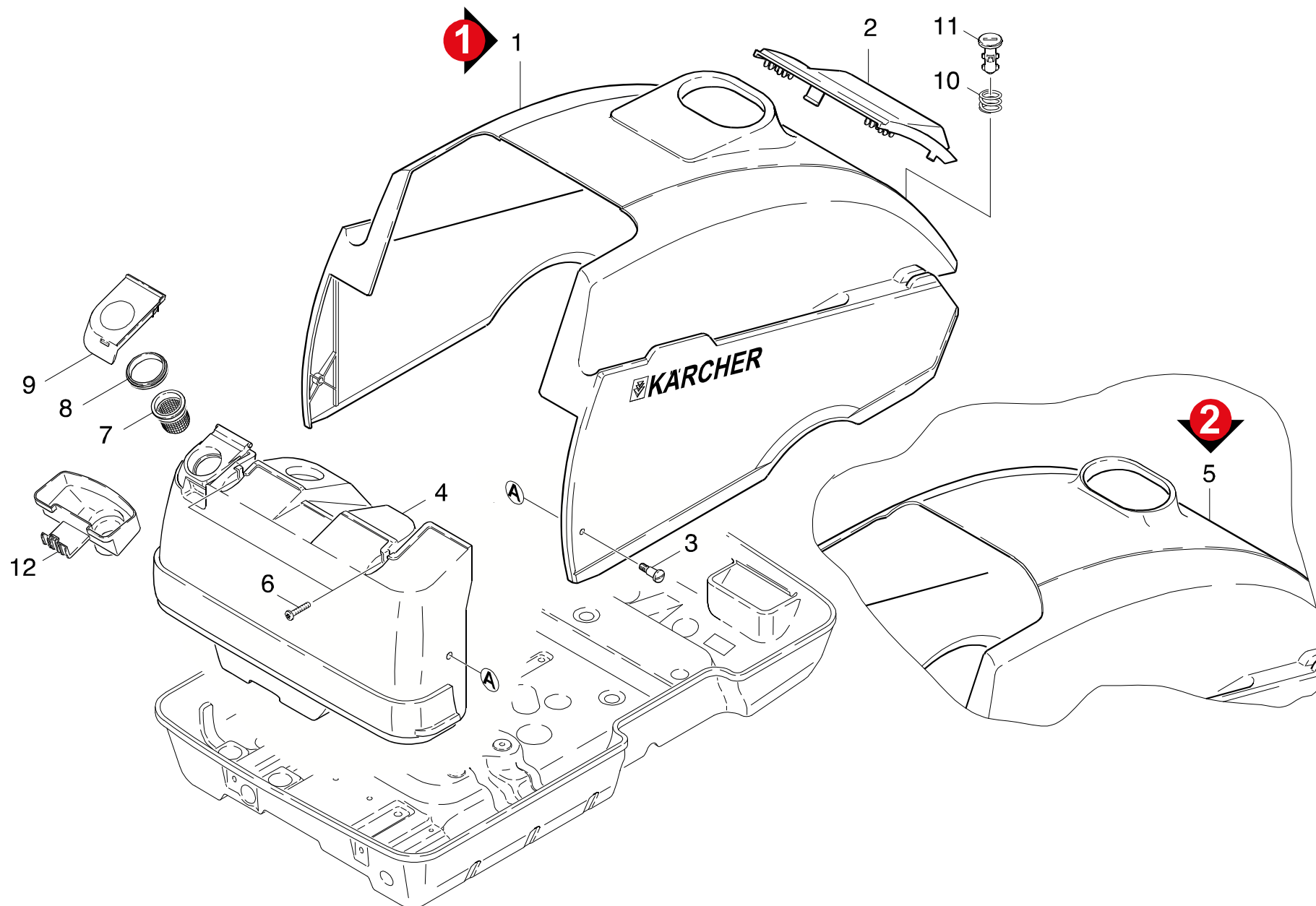
HDS 995

GRUPPE: 1.0 EINZELTEILE
GROUP: 1.0 PIECE PARTS
GRUPPE: 1.0 PIECES CONSTITUANTES

GRUPPE: 1.1 HAUBE
GROUP: 1.1 COVER
GRUPPE: 1.1 CAPOT

B1

HDS 995



Symbolbeschreibung siehe M16 / symbol description see M16 / désignation de système voir M16 /

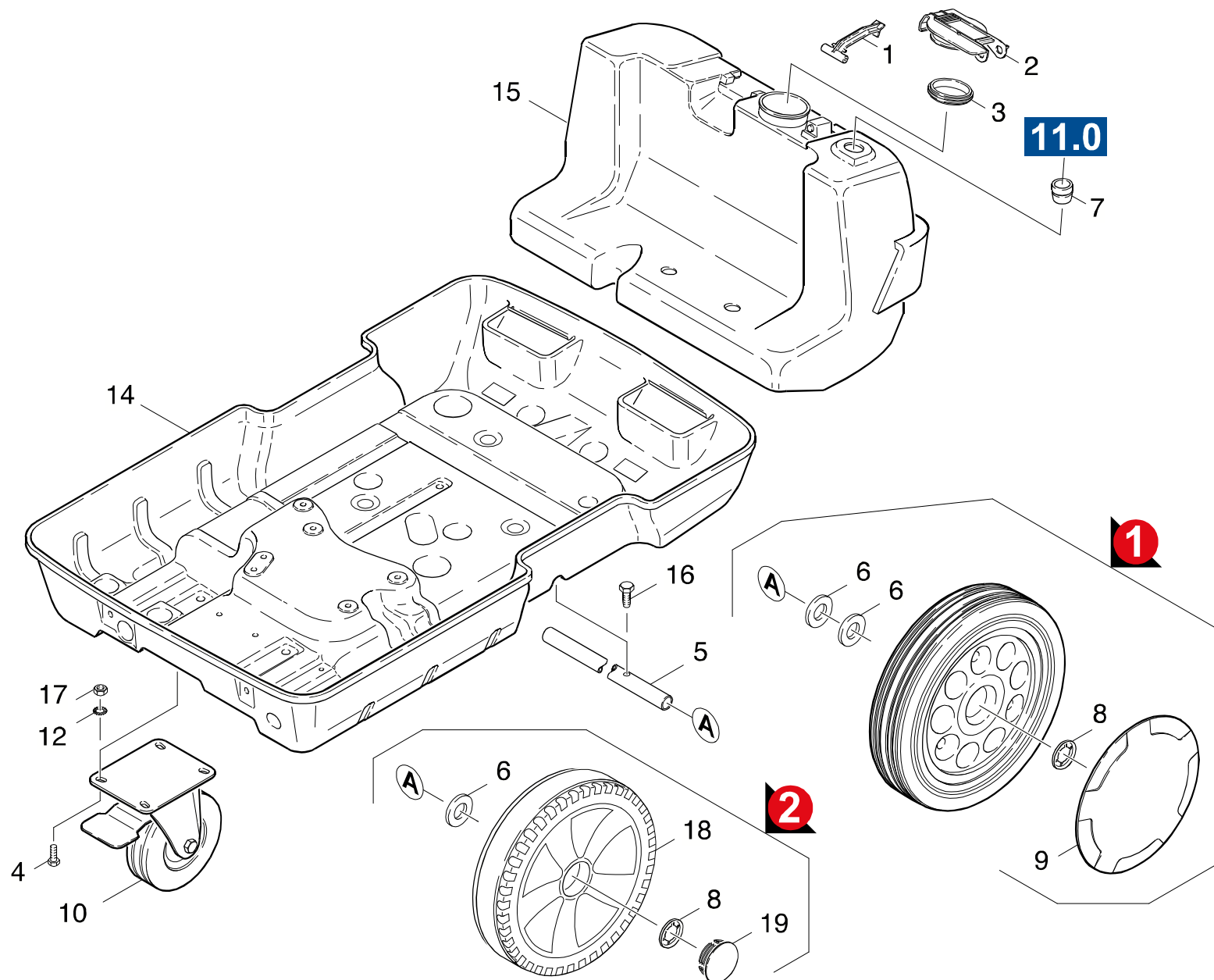
GRUPPE: 1.1 HAUBE
 GROUP: 1.1 COVER
 GROUPE: 1.1 CAPOT

C1

HDS 995

POS. ITM. POS.	BENNENUNNG DESCRIPTION DESIGNATION	TEILE-NR. PART-NO. NO.PIECE	STCK QTY. NBR.	POS. ITM. POS.	BENNENUNNG DESCRIPTION DESIGNATION	TEILE-NR. PART-NO. NO.PIECE	STCK QTY. NBR.
1	HAUBE / COVER / CAPOT / 1.027-111.0 / -281.0 / -291.0 / -611.0 / -861.0	5.066-485.0	1	5	HAUBE KPL.-ARAL / COVER / CAPOT / 1.027-801.0	4.066-343.0	1
1	HAUBE / COVER / CAPOT VERSION 1 / 1.027-801.0	5.066-719.0	1	6	LINSENSCHR. M 6X 34 / OVAL HEAD SCREW / VIS A TETE BOMBEE	6.303-172.0	2
1	HAUBE / COVER / CAPOT VERSION 1 / 1.027-811.0	5.066-720.0	1	7	FILTER / FILTER / FILTRE	5.731-039.0	1
1	HAUBE / COVER / CAPOT VERSION 1 / 1.027-821.0	5.066-721.0	1	8	DICHTRING / JOINT RING / BAGUE D'ETANCHEITE	5.363-290.0	1
1	HAUBE / COVER / CAPOT VERSION 1 / 1.027-831.0	5.066-722.0	1	9	DECKEL / COVER / COUVERCLE	5.063-957.0	1
2	KLAPPE / FLAP / CLAPET / 1.027-111.0 / -281.0 / -291.0 / -611.0 / -861.0	5.030-834.0	1	10	SCHRAUBENFEDER / HELICAL SPRING / RESSORT CYLINDRIQUE	5.332-236.0	1
2	KLAPPE / FLAP / CLAPET / 1.027-801.0	5.031-043.0	1	11	BOLZEN / BOLT / BOULON	5.316-318.0	1
2	KLAPPE / FLAP / CLAPET / 1.027-811.0	5.031-044.0	1	12	TRICHTER / FUNNEL / ENTONNOIR	5.013-075.0	1
2	KLAPPE / FLAP / CLAPET / 1.027-821.0	5.031-045.0	1				
2	KLAPPE / FLAP / CLAPET / 1.027-831.0	5.031-046.0	1				
3	FORMSCHRAUBE / FORM SCREW / VIS	5.305-204.0	2				
4	TANK BRENNSTOFF / TANK / RESERVOIR	5.071-048.0	1				
5	HAUBE KPL.-ESSO / COVER / CAPOT VERSION 2 / 1.027-821.0	4.066-339.0	1				
5	HAUBE KPL.-BP / COVER / CAPOT VERSION 2 / 1.027-811.0	4.066-340.0	1				
5	HAUBE KPL.-DEA / COVER / CAPOT VERSION 2 / 1.027-831.0	4.066-341.0	1				

"=> xxxxxx" = bis Werknummer / up to serial No. / jusqu' au No. de fabr. / "xxxxxx =>" = ab Werknummer / from serial No. / a partir du No. de fabr. /



Symbolbeschreibung siehe M16 / symbol description see M16 / désignation de système voir M16 /

GRUPPE: 1.2 GRUNDRAHMEN / BEVORRATUNG EINGESTEL
 GROUP: 1.2 BASE FRAME / SPARE PARTS STOCKING
 GROUPE: 1.2 CADRE / STOCKAGE EST TERMINE

E1

HDS 995

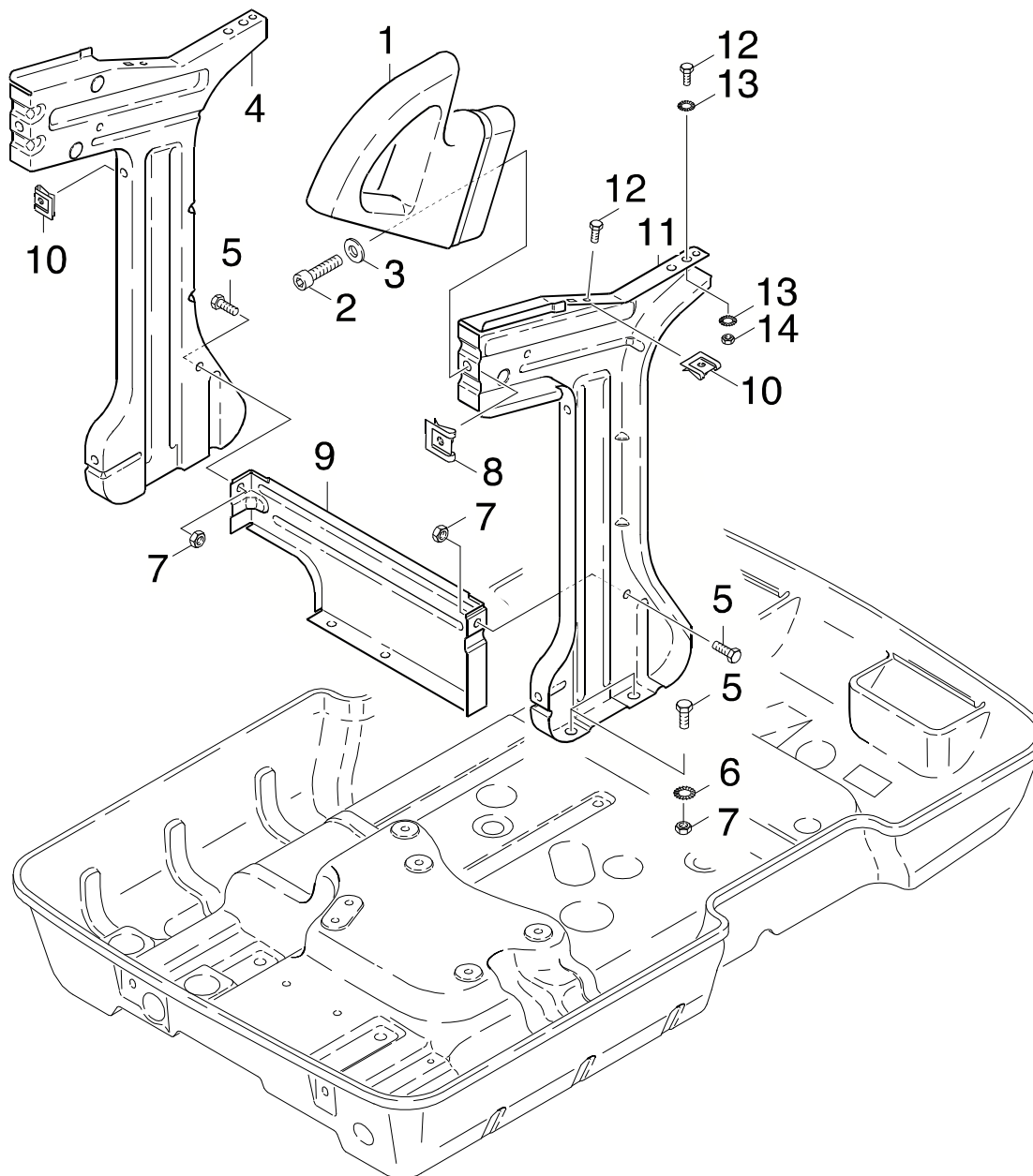
POS. ITM. POS.	BENNENUNG DESCRIPTION DESIGNATION	TEILE-NR. PART-NO. NO.PIECE	STCK QTY. NBR.
1	HALTER / BRACKET / FIXATION	5.042-463.0	1
2	DECKEL / COVER / COUVERCLE	5.063-448.0	1
3	DICHTRING / JOINT RING / BAGUE D'ETANCHEITE	5.363-300.0	1
4	6KT-SCHR. M 8X 16 / HEXAGONAL HEAD SCREW / VIS HEXAGONAL	7.304-395.0	4
5	ACHSE / AXLE / ESSIEU	5.105-163.0	1
6	SCHEIBE 24 / WASHER / RONDELLE	7.312-060.0	4
7	PROFILDICHTUNG / SEAL / ETOUPE PROFILE	5.365-147.0	1
8	SICHERUNGSSCHEIBE / LOCK WASHER / RONDELLE D'ARRET	6.343-162.0	2
9	RADKAPPE / WHEEL CAB / ENJOLIVEUR GELB/YELLOW/JAUNE	5.392-017.0	2
9	RADKAPPE / WHEEL CAB / ENJOLIVEUR SCHWARZ/BLACK/NOIR	5.392-019.0	2
10	LENKROLLE 125 / CASTOR / ROUE PIVOTANTE	6.435-071.0	1
12	ZAHNSCHEIBE A 8,4 / LOCK WASHER / ROUE PLATE	7.312-166.0	2
14	RAHMEN / FRAME / CADRE	5.050-046.0	1
15	TANK CHEM / TANK / RESERVOIR	5.071-047.0	1
16	SCHRAUBE M 8X 16 / SCREW / VIS	6.303-031.0	2
17	6KT-MUTTER M 8 / HEXAGON NUT / ECROU HEXAGONAL	7.311-004.0	4
18	RAD KPL. / WHEEL / ROUE 1 STUECK GELB/1 PIECE YELLOW/1 PIECES JAUNE	4.515-092.0	2
18	RAD KPL. SW/SW / WHEEL / ROUE SATZ MIT 2 STUECK SCHWARZ/SET OF 2 PIECES BLACK/JEU AVEC 2 PIECES NOIR	4.515-100.0	2
19	RADKAPPE / WHEEL CAB / ENJOLIVEUR	5.392-038.0	2

"=> xxxxxx" = bis Werknummer / up to serial No. / jusqu' au No. de fabr. / "xxxxxx =>" = ab Werknummer / from serial No. / a partir du No. de fabr. /

GRUPPE: 1.3 GRIFF
GROUP: 1.3 HANDLE
GRUPPE: 1.3 POIGNEE

F1

HDS 995



Symbolbeschreibung siehe M16 / symbol description see M16 / désignation de système voir M16 /

GRUPPE: 1.3 GRIFF
GROUP: 1.3 HANDLE
GROUPE: 1.3 POIGNEE

G1

HDS 995

POS. ITM. POS.	BENNENUNG DESCRIPTION DESIGNATION	TEILE-NR. PART-NO. NO.PIECE	STCK QTY. NBR.
1	GRIFF / HANDLE / POIGNEE	5.321-647.0	2
2	ZYL.SCHR. M 8X 45 / CHEESE HEAD SCREW / VIS A TETE CYLINDR.	7.306-049.0	2
3	SCHEIBE 8 / WASHER / RONDELLE	7.312-004.0	2
4	STAENDER LINKS / STAND / MONTANTS	5.052-033.0	1
5	6KT-SCHR. M 8X 16 / HEXAGONAL HEAD SCREW / VIS HEXAGONAL	7.304-395.0	6
6	ZAHNSCHEIBE A 8,4 / LOCK WASHER / ROUE PLATE	7.312-166.0	3
7	6KT-MUTTER M 8 / HEXAGON NUT / ECROU HEXAGONAL	7.311-004.0	6
8	STECKMUTTER M8 / NUT / ECROU	6.310-083.0	2
9	STREBE / STAY / ENTRETOISE	5.055-120.0	1
10	STECKMUTTER M6 / NUT / ECROU	6.310-082.0	4
11	STAENDER RECHTS / STAND / MONTANTS	5.052-035.0	1
12	6KT-SCHR. M 6X 12 / HEXAGONAL HEAD SCREW / VIS HEXAGONAL	7.304-382.0	4
13	ZAHNSCHEIBE A 6,4 / LOCK WASHER / ROUE PLATE	7.312-167.0	4
14	6KT-MUTTER M 6 / HEXAGON NUT / ECROU HEXAGONAL	7.311-003.0	2

"=> xxxxxx" = bis Werknummer / up to serial No. / jusqu' au No. de fabr. / "xxxxxx =>" = ab Werknummer / from serial No. / a partir du No. de fabr. /

GRUPPE: 2.0 PUMPENSATZ
GROUP: 2.0 PUMP SET
GRUPPE: 2.0 JEU (ENSEMBLE) DE POMPE

A2

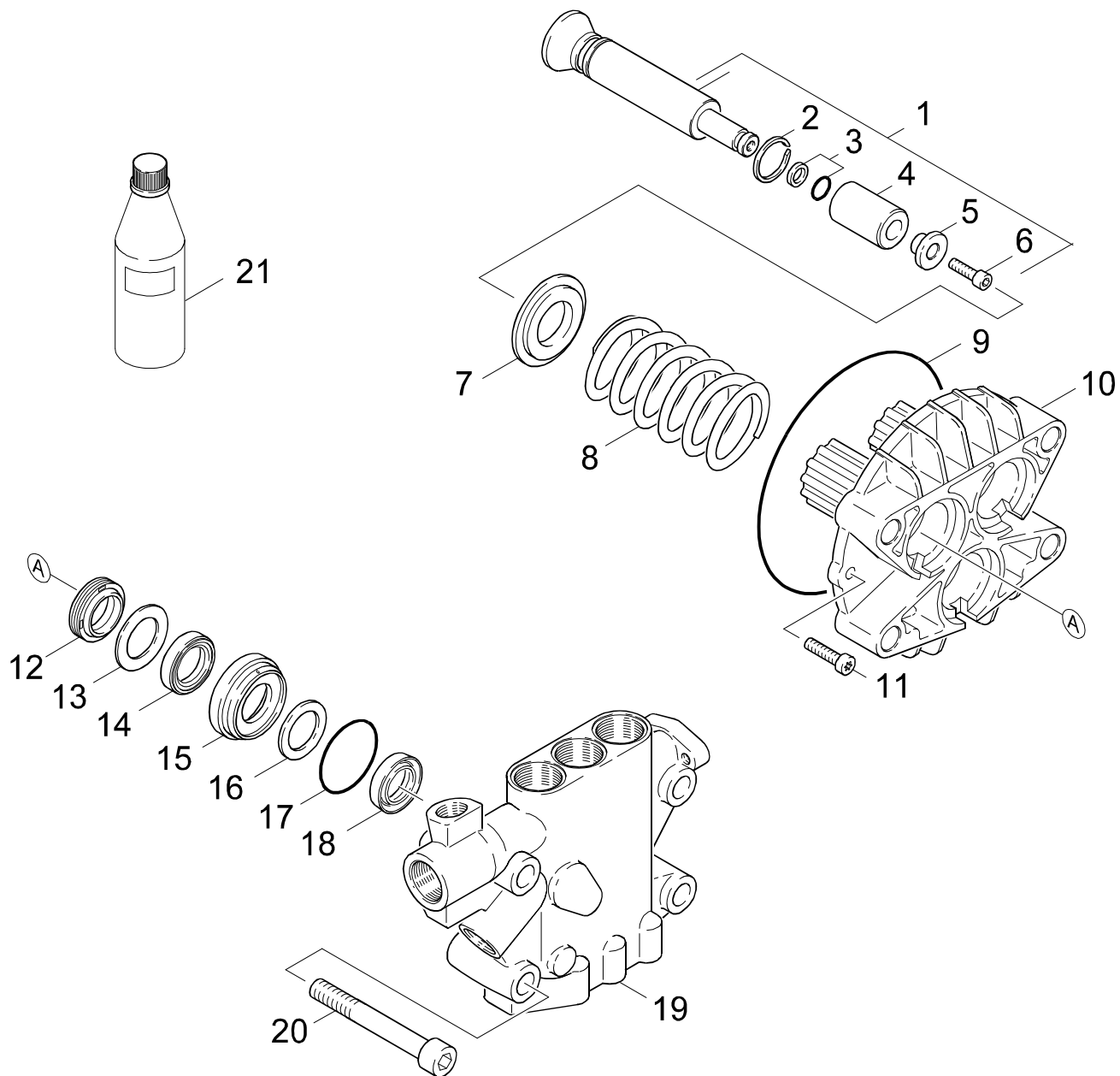
HDS 995

GRUPPE: 2.0 PUMPENSATZ
GROUP: 2.0 PUMP SET
GRUPPE: 2.0 JEU (ENSEMBLE) DE POMPE

GRUPPE: 2.1 KOLBEN
GROUP: 2.1 PISTON
GRUPPE: 2.1 PISTON

B2

HDS 995



Symbolbeschreibung siehe M16 / symbol description see M16 / désignation de système voir M16 /

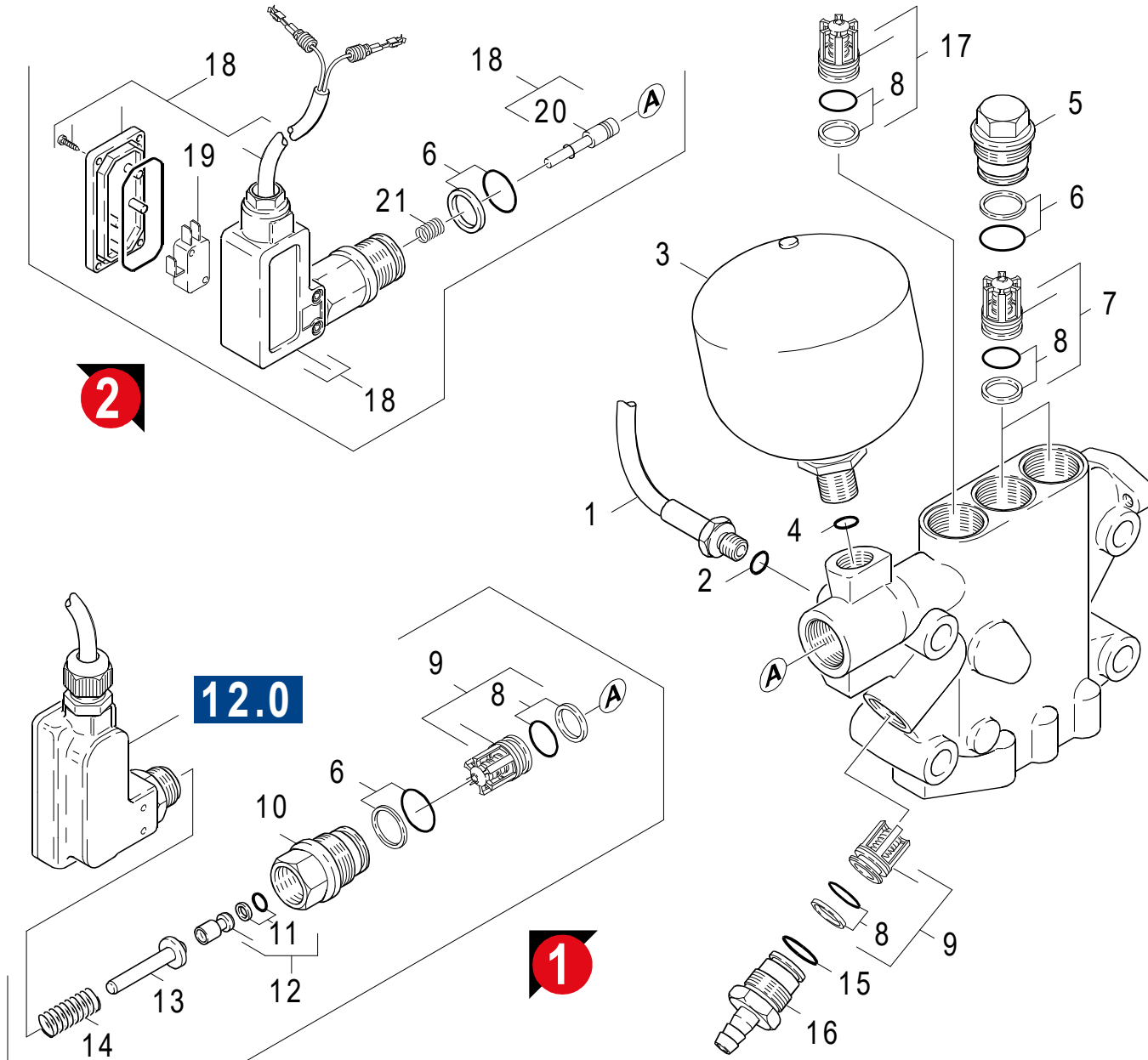
GRUPPE: 2.1 KOLBEN
GROUP: 2.1 PISTON
GROUPE: 2.1 PISTON

C2

HDS 995

POS. ITM. POS.	BENNENUNG DESCRIPTION DESIGNATION	TEILE-NR. PART-NO. NO.PIECE	STCK QTY. NBR.
1	KOLBEN KPL. / PISTON / PISTON	4.553-135.0	3
2	SPRENGRING WR 22 / RETAINER / CIRCLIP	6.343-142.0	3
3	O-RING KPL./1ST.-R. / GASKET / BAQUE D'ETANCHEITE	6.362-365.0	3
4	KERAMIKHUELSE / CERAMIC POD / DOUILLE CERAMIQUE	5.110-282.0	3
5	HUELSE / SLEEVE / DOUILLE	5.110-484.0	3
6	SCHRAUBE M 5X 20 / SCREW / VIS	7.306-183.0	3
7	SCHEIBE / WASHER / RONDELLE	5.115-522.0	3
8	SCHRAUBENFEDER / HELICAL SPRING / RESSORT CYLINDRIQUE	5.332-281.0	3
9	O-RING 107,62X 2,62 / GASKET / BAQUE D'ETANCHEITE	6.362-796.0	1
10	GEHAEUSE / HOUSING / BOITIER	5.060-397.0	1
11	SCHRAUBE M 6X 30 / SCREW / VIS	7.306-105.0	2
12	NUTRING 22X30X6/8 / GROOVED RING / JOINT A LEVRES	6.365-059.0	3
13	SCHEIBE / WASHER / RONDELLE	5.115-520.0	3
14	KOMPAKTDI. 22X32X6 / SEAL / JOINT	6.365-056.0	3
15	BUCHSE / BUSH / DOUILLE	5.112-414.0	3
16	SCHEIBE / WASHER / RONDELLE	5.115-521.0	3
17	O-RING 36,0 X 2,0 / GASKET / BAQUE D'ETANCHEITE	6.362-092.0	3
18	NUTRING 22X30X5 / GROOVED RING / JOINT A LEVRES	6.365-055.0	3
19	ZYLINDERKOPF / CYLINDER HEAD / CULASSE	5.550-172.0	1
20	ZYL.SCHR. M12X100 / CHEESE HEAD SCREW / VIS A TETE CYLINDR.	7.306-155.0	4
21	GETRIEBEOEL 1L / GEAR LUBRICANT OIL / HUILE A ENGRENAGES	6.288-016.0	1
100	PUMPENSET / PUMP SET / GROUPE DE POMPES	2.883-302.0	1

"=> xxxxxx" = bis Werknummer / up to serial No. / jusqu' au No. de fabr. / "xxxxxx =>" = ab Werknummer / from serial No. / a partir du No. de fabr. /



Symbolbeschreibung siehe M16 / symbol description see M16 / désignation de système voir M16 /

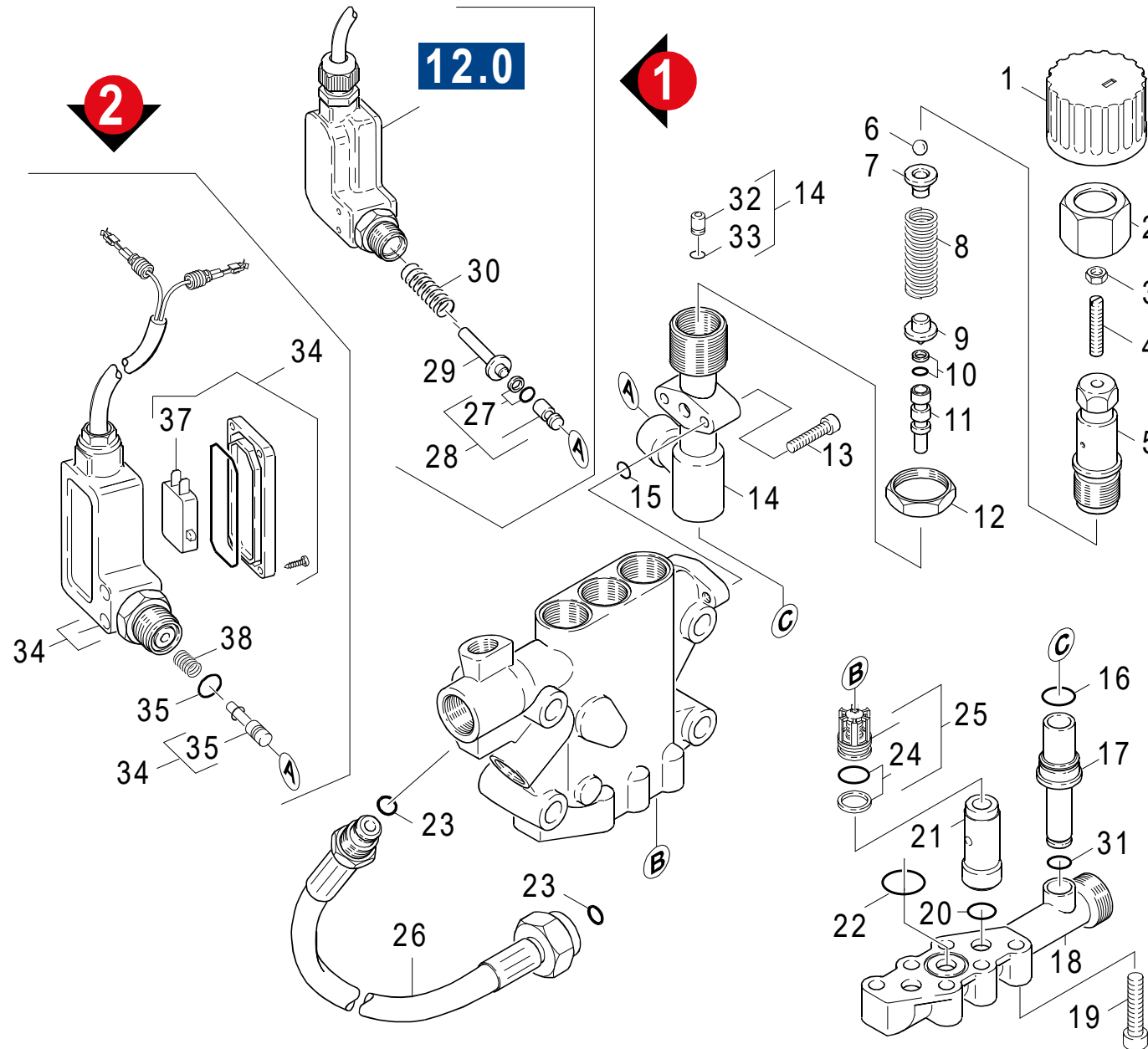
GRUPPE: 2.2 DRUCKSEITE
GROUP: 2.2 PHYSICAL PAGE
GROUPE: 2.2 COTE REFOULEMENT

E2

HDS 995

POS. ITM. POS.	BENNENUNG DESCRIPTION DESIGNATION	TEILE-NR. PART-NO. NO.PIECE	STCK QTY. NBR.
1	HD-SCHLAUCH / HIGH PRESSURE HOSE / TUYAU FLEXIBLE HAUTE PRE.	6.389-635.0	1
2	DICHTRING 10 X13,5 / JOINT RING / BAGUE D'ETANCHEITE	7.362-003.0	1
3	DRUCKSPEICHER / PULSATION DAMPER / ANTI-BELIER	6.505-041.0	1
4	O-RING 6,07X 1,78 / GASKET / BAQUE D'ETANCHEITE	6.362-176.0	1
5	VENTILSCHRAUBE / VALVE SCREW / VIS POINTEAU (SOUP.)	5.583-125.0	3
6	O-RING KPL./1ST.-R. / GASKET / BAQUE D'ETANCHEITE	6.362-500.0	4
7	VENTIL KPL. / VALVE / SOUPAPE	4.580-229.0	3
8	O-RING KPL./1ST.-R. / GASKET / BAQUE D'ETANCHEITE	6.362-466.0	5
9	VENTIL KPL. / VALVE / SOUPAPE	4.580-230.0	2
10	VENTILSCHRAUBE / VALVE SCREW / VIS POINTEAU (SOUP.) / => 40448	5.583-126.0	1
11	O-RING KPL./1ST.-R. / GASKET / BAQUE D'ETANCHEITE / => 40448	6.362-368.0	1
12	KOLBEN / PISTON / PISTON / => 40448	4.553-025.0	1
13	KOLBEN / PISTON / PISTON / => 40448	5.553-274.0	1
14	SCHRAUBENFEDER / HELICAL SPRING / RESSORT CYLINDRIQUE / => 40448	5.332-158.0	1
15	O-RING 14,0 X 2,0 / GASKET / BAQUE D'ETANCHEITE	6.362-481.0	1
16	SCHLAUCHNIPPEL / HOSE STEM / RACCORD DE FLEXIBLE	5.443-336.0	1
17	VENTIL KPL. / VALVE / SOUPAPE	4.580-237.0	1
18	DRUCKSCHALTER / PRESSURE SWITCH / PRESSOTAT 40449 =>	6.631-726.0	1
19	SCHALTER / SWITCH / INTERRUPTEUR 40449 =>	6.631-792.0	1
20	KOLBEN KPL. / PISTON / PISTON 40449 =>	6.630-038.0	1
21	DRUCKFEDER 30 BAR / PRESSURE SPRING / RESSORT A PRESSION	6.330-204.0	1
100	PUMPENSET / PUMP SET / GROUPE DE POMPES	2.883-302.0	1

"=> xxxxxx" = bis Werknummer / up to serial No. / jusqu' au No. de fabr. / "xxxxxx =>" = ab Werknummer / from serial No. / a partir du No. de fabr. /



Symbolbeschreibung siehe M16 / symbol description see M16 / désignation de système voir M16 /

GRUPPE: 2.3 SAUGSEITE
 GROUP: 2.3 SUCTION SIDE
 GROUPE: 2.3 COTE ASPIRANT

G2

HDS 995

POS. ITM. POS.	BENNENNUNG DESCRIPTION DESIGNATION	TEILE-NR. PART-NO. NO.PIECE	STCK QTY. NBR.	POS. ITM. POS.	BENNENNUNG DESCRIPTION DESIGNATION	TEILE-NR. PART-NO. NO.PIECE	STCK QTY. NBR.
1	GRIFF / HANDLE / POIGNEE	5.321-406.0	1	31	O-RING 9,0 X 2,0 / GASKET / BAQUE D'ETANCHEITE	6.362-797.0	1
2	6KT-MUTTER / HEXAGON NUT / ECROU HEXAGONAL	5.311-164.0	1	32	VENTILSITZ / VALVE SEAT / SIEGE DE SOUPAPE	5.581-143.0	1
3	6KT-MUTTER M 6 / HEXAGON NUT / ECROU HEXAGONAL	7.311-003.0	1	33	O-RING 6,0 X 1,5 / GASKET / BAQUE D'ETANCHEITE	6.362-703.0	1
4	GEW.STIFT M 6X 35 / THREADED PIN / VIS SANS TETE	7.307-418.0	1	34	DRUCKSCHALTER / PRESSURE SWITCH / PRESSOTAT	6.631-739.0	1
5	6KT-SCHRAUBE / HEXAGONAL HEAD SCREW / VIS HEXAGONAL	5.304-061.0	1		40449 =>		
6	KUGEL 6,0 G300 / BALL / BOULE	7.401-918.0	1	35	KOLBEN KPL. / PISTON / PISTON	6.630-038.0	1
7	VENTILTELLER / VALVE DISC / TETE DE SOUPAPE	5.582-103.0	1		40449 =>		
8	SCHRAUBENFEDER / HELICAL SPRING / RESSORT CYLINDRIQUE	5.332-285.0	1	36	O-RINGSET / GASKET SET / JUE DE BAGUES D'ENTCHEITE	2.880-154.0	1
9	VENTILBOLZEN / VALVE PIN / BOULON DE SOUPAPE	5.584-077.0	1	37	SCHALTER / SWITCH / INTERRUPTEUR	6.631-792.0	1
10	O-RING KPL./1ST.-R. / GASKET / BAQUE D'ETANCHEITE	6.363-115.0	1		40449 =>		
11	KOLBEN / PISTON / PISTON	5.553-431.0	1	38	DRUCKFEDER 8 BAR / PRESSURE SPRING / RESSORT A PRESSION	6.330-202.0	1
12	6KT-MUTTER / HEXAGON NUT / ECROU HEXAGONAL	5.311-165.0	1	100	PUMPENSET / PUMP SET / GROUPE DE POMPES	2.883-302.0	1
13	SCHRAUBE M 6X 30 / SCREW / VIS	7.306-105.0	1				
14	GEHAEUSE KPL. / HOUSING / BOITIER	4.060-224.0	1				
15	O-RING 10 X 1,5 / GASKET / BAQUE D'ETANCHEITE	6.362-482.0	1				
16	O-RING 18,0 X 2,0 / GASKET / BAQUE D'ETANCHEITE	6.362-534.0	1				
17	STUTZEN / CONNECTION PIECE / TUBULURE	5.402-529.0	1				
18	VENTILGEHAEUSE / VALVE HOUSING / CORPS DE SOUPAPE	5.587-141.0	1				
19	ZYL.SCHR. M 8X 35 / CHEESE HEAD SCREW / VIS A TETE CYLINDR.	7.306-044.0	6				
20	O-RING 15,3 X 2,4 / GASKET / BAQUE D'ETANCHEITE	6.362-153.0	2				
21	HUELSE / SLEEVE / DOUILLE	5.110-210.0	2				
22	O-RING 20,0 X 1,5 / GASKET / BAQUE D'ETANCHEITE	6.362-547.0	1				
23	O-RING 10,0 X 2,0 / GASKET / BAQUE D'ETANCHEITE	6.362-392.0	2				
24	O-RING KPL./1ST.-R. / GASKET / BAQUE D'ETANCHEITE	6.362-466.0	3				
25	VENTIL KPL. / VALVE / SOUPAPE	4.580-229.0	3				
26	HD-SCHLAUCH DN 8 / HIGH PRESSURE HOSE / TUYAU FLEXIBLE HAUTE PRE.	6.389-568.0	1				
27	O-RING KPL./1ST.-R. / GASKET / BAQUE D'ETANCHEITE / => 40448	6.362-368.0	1				
28	KOLBEN / PISTON / PISTON / => 40448	4.553-025.0	1				
29	KOLBEN / PISTON / PISTON / => 40448	5.553-274.0	1				
30	SCHRAUBENFEDER / HELICAL SPRING / RESSORT CYLINDRIQUE / => 40448	5.332-268.0	1				

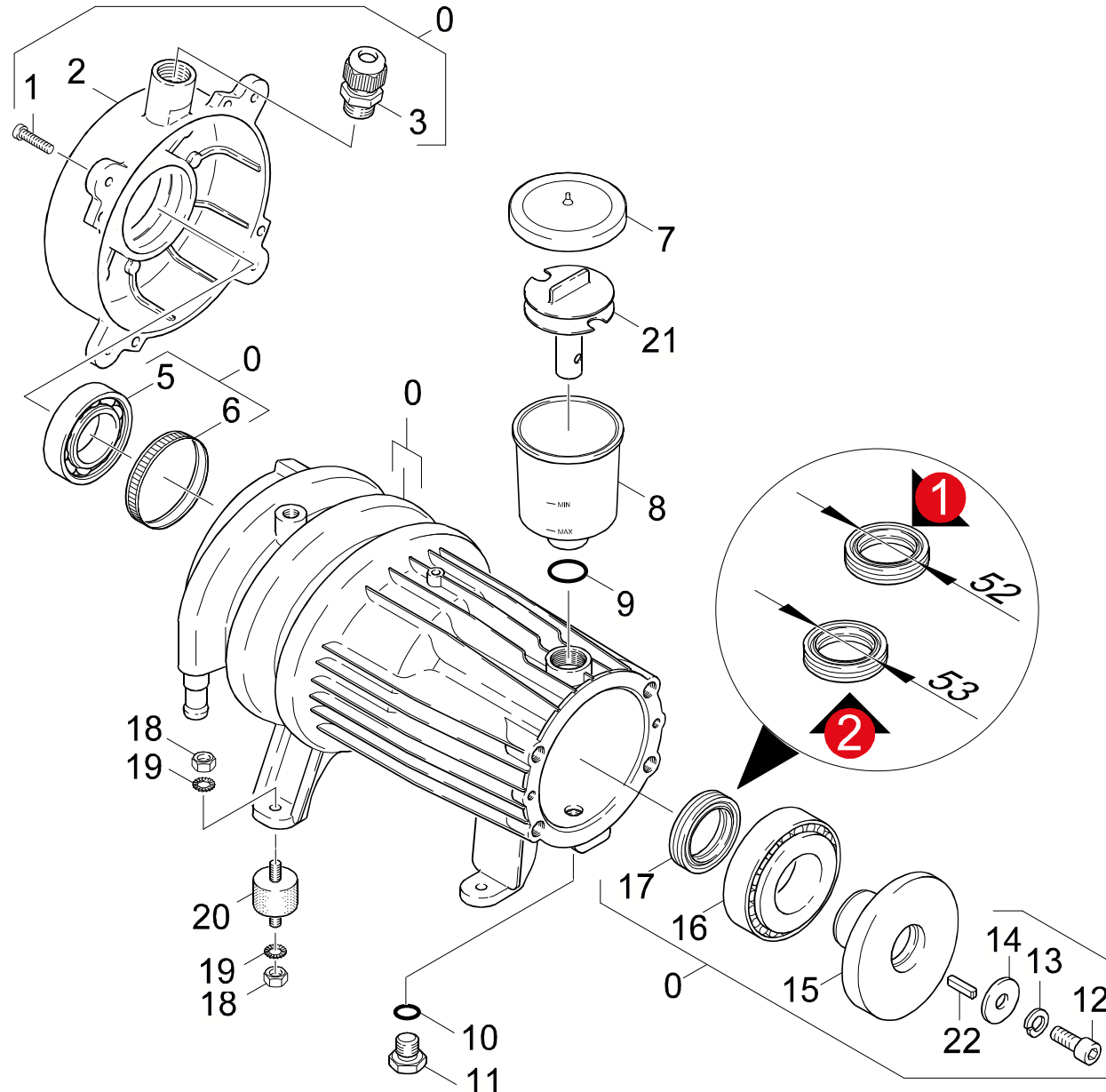
"=> xxxxxx" = bis Werknummer / up to serial No. / jusqu' au No. de fabr. / "xxxxxx =>" = ab Werknummer / from serial No. / a partir du No. de fabr. /

GRUPPE: 3.0 MOTOR
GROUP: 3.0 MOTOR
GROUPE: 3.0 MOTEUR

A3

HDS 995

GRUPPE: 3.0 MOTOR
GROUP: 3.0 MOTOR
GROUPE: 3.0 MOTEUR



Symbolbeschreibung siehe M16 / symbol description see M16 / désignation de système voir M16 /

GRUPPE: 3.0 MOTOR
GROUP: 3.0 MOTOR
GROUPE: 3.0 MOTEUR

C3

HDS 995

POS. ITM. POS.	BENNENNUNG DESCRIPTION DESIGNATION	TEILE-NR. PART-NO. NO.PIECE	STCK QTY. NBR.
0	MOTOR KPL. / MOTOR / MOTEUR	4.623-205.0	1
1	SCHRAUBE M 6X 20 / SCREW / VIS	7.303-048.0	4
2	DECKEL / COVER / COUVERCLE	5.063-452.0	1
3	KABELVERSCHR. PG16 / CABLE CONNECTOR / RACCORD DE CABLES	6.641-356.0	1
5	KUGELLAGER 6305-2Z / BALL BEARING / ROULEMENT A BILLE	6.401-253.0	1
6	TOLERANZRING 62X10 / TOLERANCE RING / BAGUE	6.343-010.0	1
7	DECKEL / COVER / COUVERCLE	5.063-189.0	1
8	BEHAELTER / TANK / BAC	5.070-048.0	1
9	O-RING 22,3 X 2,4 / GASKET / BAQUE D'ETANCHEITE	6.362-168.0	1
10	O-RING 11,0 X 2,0 / GASKET / BAQUE D'ETANCHEITE	6.363-273.0	1
11	VERSCHLUSSSCHRAUBE / CLOSING SCREW / VIS DE FERMETURE	5.411-100.0	1
12	ZYL.SCHR. M 8X 20 / CHEESE HEAD SCREW / VIS A TETE CYLINDR.	7.306-041.0	1
13	FEDERRING 8 / SPRING WASHER / RONDELLE GROWER	7.313-051.0	1
14	SCHEIBE / WASHER / RONDELLE	5.115-565.0	1
15	TAUMELSCHEIBE / SWASH PLATE / DISQUE EN NUTATION	5.120-234.0	1
16	KEGELROLLENLAGER 41 / TAPER ROLLER BEARIN / PALIER A ROULEAUX	6.401-225.0	1
17	RWDR A35X53X7 / ROTARY SHAFT SEAL / JOINT (ARBRE)	7.367-005.0	1
	VERSION 2		
17	RWDR A35 X 52 X 7 / ROTARY SHAFT SEAL / JOINT (ARBRE)	7.367-009.0	1
	VERSION 1		
18	6KT-MUTTER M 8 / HEXAGON NUT / ECROU HEXAGONAL	7.311-004.0	8
19	ZAHNSCHEIBE A 8,4 / LOCK WASHER / ROUE PLATE	7.312-166.0	8
20	GUMMIPUFFER M8 / RUBBER BUFFER / BUTOIR CAOUTCHOUC	6.339-060.0	4
21	FORMTEIL / MOULDED PART / PREFORME	5.030-389.0	1
22	PASSFEDER 8X 7X 25 / SPRING / RESSORT D'ADJUSTAGE	7.318-035.0	1

"=> xxxxxx" = bis Werknummer / up to serial No. / jusqu' au No. de fabr. / "xxxxxx =>" = ab Werknummer / from serial No. / a partir du No. de fabr. /

GRUPPE: 4.0 GEBLAESE
GROUP: 4.0 BLOWER
GRUPPE: 4.0 VENTILATEUR

A4

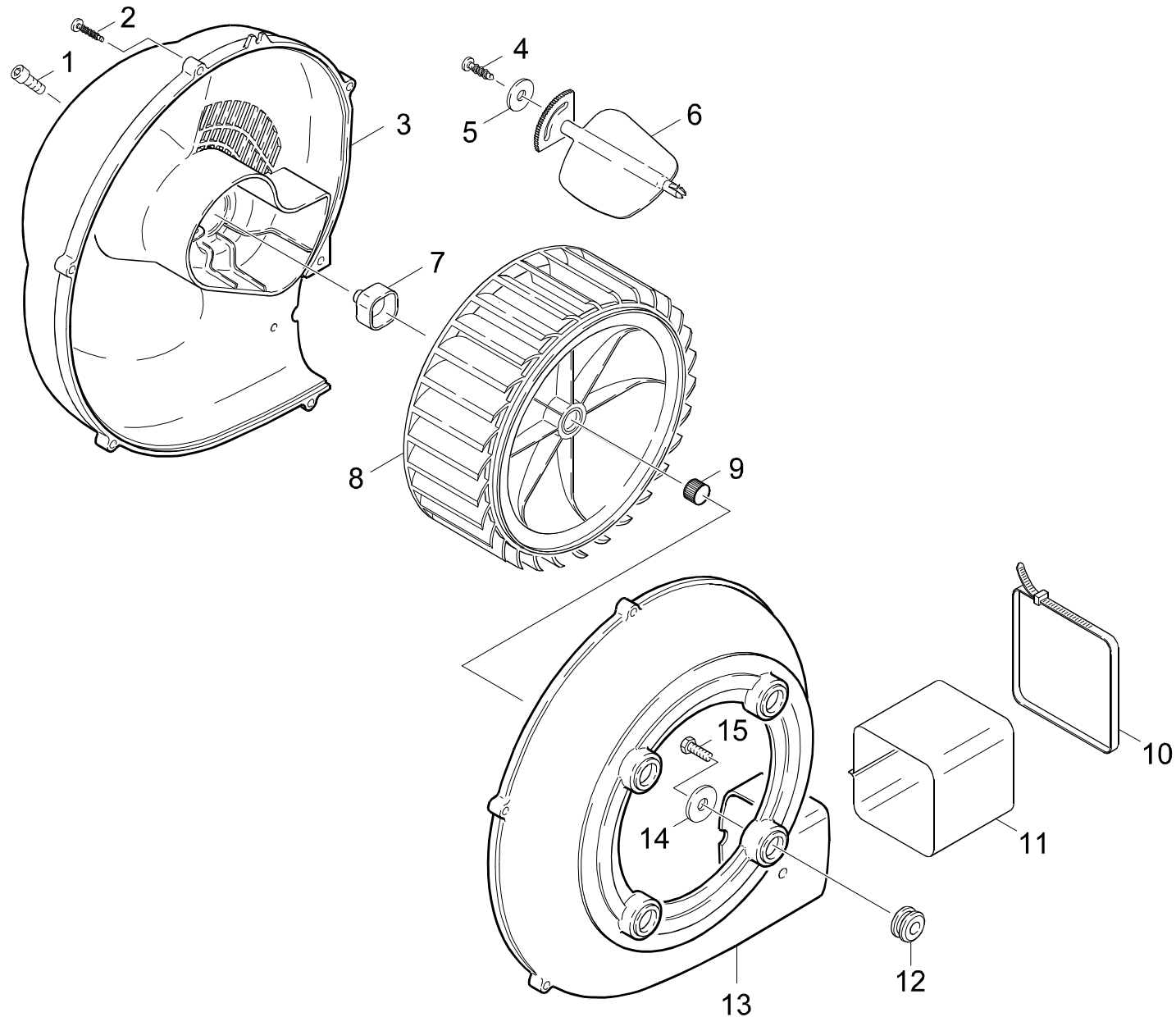
HDS 995

GRUPPE: 4.0 GEBLAESE
GROUP: 4.0 BLOWER
GRUPPE: 4.0 VENTILATEUR

GRUPPE: 4.0 GEBLAESE
GROUP: 4.0 BLOWER
GRUPPE: 4.0 VENTILATEUR

B4

HDS 995



Symbolbeschreibung siehe M16 / symbol description see M16 / désignation de système voir M16 /

GRUPPE: 4.0 GEBLAESE
GROUP: 4.0 BLOWER
GROUPE: 4.0 VENTILATEUR

C4

HDS 995

POS. ITM. POS.	BENNENUNG DESCRIPTION DESIGNATION	TEILE-NR. PART-NO. NO.PIECE	STCK QTY. NBR.
1	SCHRAUBE M 6X 16 / SCREW / VIS	7.306-090.0	1
2	LINSENSCHR. 4,0X25 / OVAL HEAD SCREW / VIS A TETE BOMBEE	6.303-089.0	6
3	GEBLAESEDECKEL / COVER (BLOWER) / COUVERCLE (VENTILATEUR)	5.063-457.0	1
4	BL.SCHR. ST4,8X16 / SHEET METAL SCREW / VIS A TOLE	7.303-077.0	1
5	SCHEIBE 5 / WASHER / RONDELLE	7.312-278.0	1
6	LUFTKLAPPE / AIR FLAP / VOLET D'ADMIS.D'AIR	5.606-005.0	1
7	KUPPLUNGSTEIL / COUPLING ELEMENT / PIECE D'ACCOUPL.	5.471-060.0	1
8	LUEFTERRAD / BLOWER WHEEL / ROUE DE VENTILATEUR	5.600-045.0	1
9	TOLERANZRING D17X16 / TOLERANCE RING / BAGUE	6.343-027.0	1
10	SPANNBAND / BANNER / BANDEROLE	6.388-608.0	2
11	TUCHMANSCHETTE / CLOTH COLLAR / MANCHETTE	5.178-026.0	1
12	GUMMIRING / RUBBER RING / RONDELLE CAOUTCHOUC	5.379-019.0	4
13	GEBLAESEGEHAEUSE / HOUSING (BLOWER) / CARTER (VENTILATEUR)	5.605-168.0	1
14	SCHEIBE / WASHER / RONDELLE	5.115-233.0	4
15	SCHRAUBE M 6X 20 / SCREW / VIS	7.303-048.0	4

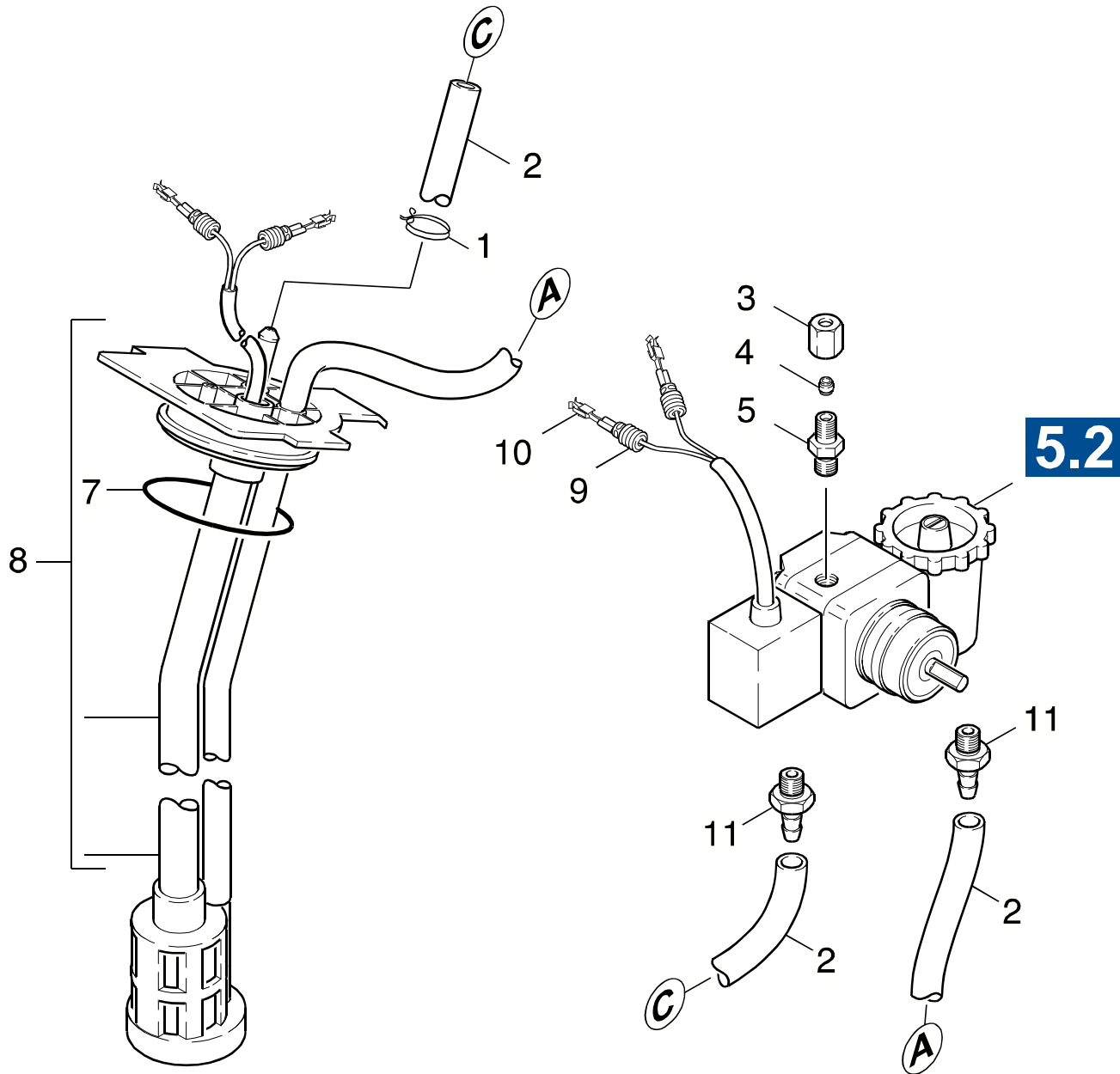
"=> xxxxxx" = bis Werknummer / up to serial No. / jusqu' au No. de fabr. / "xxxxxx =>" = ab Werknummer / from serial No. / a partir du No. de fabr. /

GRUPPE: 5.0 BRENNSTOFFPUMPE
GROUP: 5.0 FUEL PUMP
GRUPPE: 5.0 POMPE DE COMBUSTIBLE

A5

HDS 995

GRUPPE: 5.0 BRENNSTOFFPUMPE
GROUP: 5.0 FUEL PUMP
GRUPPE: 5.0 POMPE DE COMBUSTIBLE



Symbolbeschreibung siehe M16 / symbol description see M16 / désignation de système voir M16 /

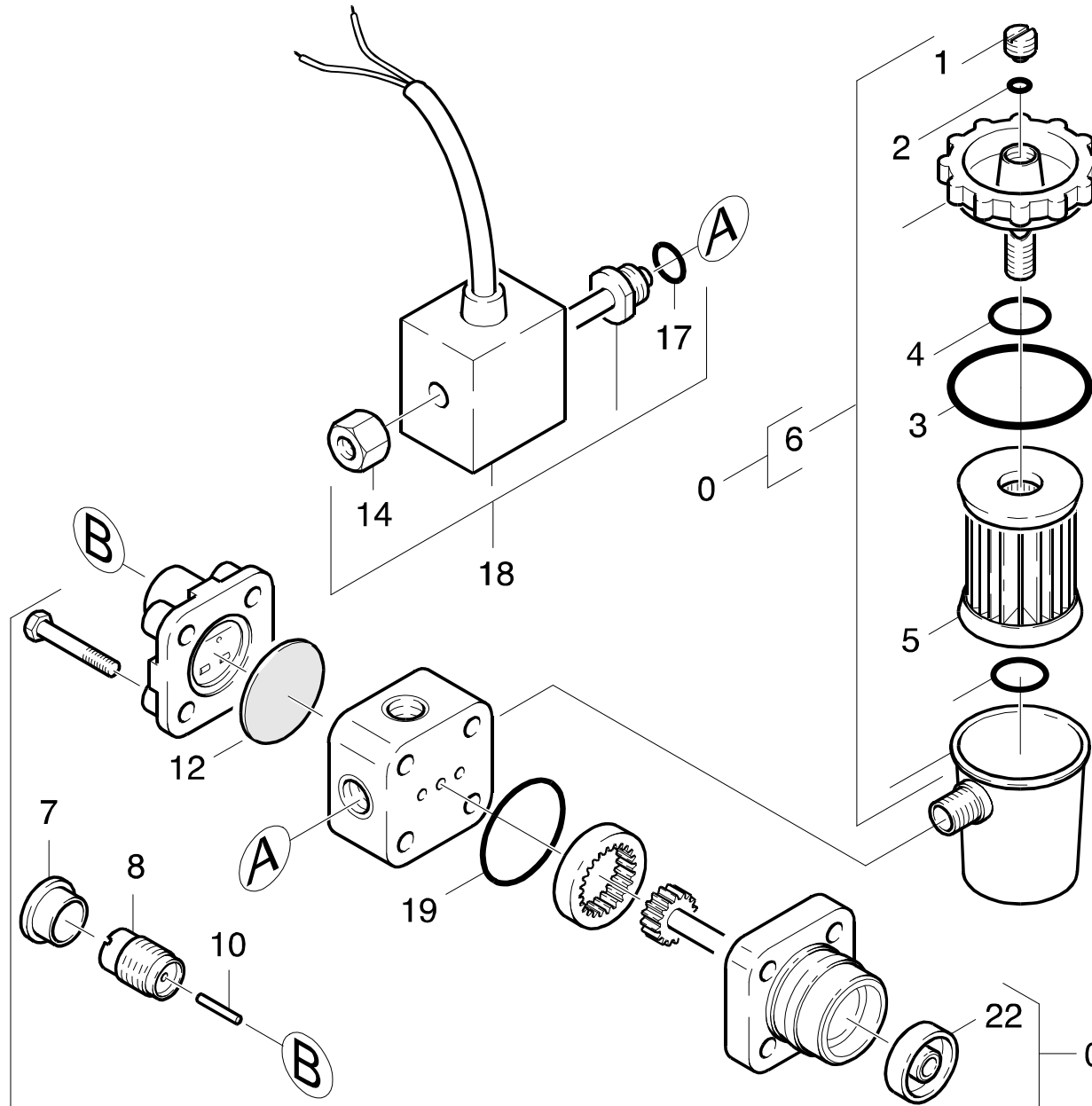
GRUPPE: 5.1 BRENNSTOFFPUMPE
GROUP: 5.1 FUEL PUMP
GROUPE: 5.1 POMPE DE COMBUSTIBLE

C5

HDS 995

POS.	BENNENNUNG	TEILE-NR.	STCK
ITM.	DESCRIPTION	PART-NO.	QTY.
POS.	DESIGNATION	NO.PIECE	NBR.
1	SCHLAUCHSCHELLE / HOSE BAND CLIP / COLLIER DE SERRAGE	6.389-567.0	2
2	SCHLAUCH / HOSE / TUYAU FLEXIBLE	6.389-534.0	1
	ALS METERWARE BESTELLEN/TO ORDER AS CUT GOODS/COMMANDE COMME MARCHANDISE AU METRE		
3	UE-MUTTER A 4-LL / UNION NUT / ECROU RACOURD	6.389-262.0	1
4	SCHNEIDRING D.4 / CUTTING RING / BAGUE COUPANTE	6.389-263.0	1
5	SCHRAUBSTUTZEN / SCREW UNION / RACCORD FILETE	6.389-261.0	1
7	O-RING 56,0 X 4,0 / GASKET / BAQUE D'ETANCHEITE	6.362-855.0	1
8	ROHRLEITUNG / PIPELINES / CONDUITE	4.421-187.0	1
9	EINZELADERABDICHT. / SEAL / ETOUPAGE	6.647-235.0	5
10	KONTAKT / CONTACT / CONTACT	6.647-234.0	5
11	SCHLAUCHNIPPEL / HOSE STEM / RACCORD DE FLEXIBLE	6.472-927.0	2

"=> xxxxxx" = bis Werknummer / up to serial No. / jusqu' au No. de fabr. / "xxxxxx =>" = ab Werknummer / from serial No. / a partir du No. de fabr. /



Symbolbeschreibung siehe M16 / symbol description see M16 / désignation de système voir M16 /

GRUPPE: 5.2 BRENNSTOFFPUMPE
GROUP: 5.2 FUEL PUMP
GROUPE: 5.2 POMPE DE COMBUSTIBLE

E5

HDS 995

POS. ITM. POS.	BENNENUNNG DESCRIPTION DESIGNATION	TEILE-NR. PART-NO. NO.PIECE	STCK QTY. NBR.
0	BRENNSTOFFPUMPE / FUEL PUMP / POMPE DE COMBUSTIBLE	6.472-925.0	1
1	ENTLUEFTUNGSSCHR. / VENT SCREW / VIS D'AIR	6.472-107.0	1
2	O-RING 5,0 X 1,8 / GASKET / BAQUE D'ETANCHEITE	6.472-106.0	1
3	O-RING 32,0 X 1,6 / GASKET / BAQUE D'ETANCHEITE	6.472-111.0	1
4	O-RING 10,0 X 2,4 / GASKET / BAQUE D'ETANCHEITE	6.472-112.0	1
5	FILTEREINSATZ / FILTER CARTRIDGE / CARTOUCHE FILTRANTE	6.472-113.0	1
6	FILTERGEHAEUSE KPL. / FILTER CASE / BATI DE FILTRE	6.472-123.0	1
7	SCHUTZKAPPE / PROTECTIVE CAP / CAPOT PROTECTION	6.472-122.0	1
8	FEDERGEHAEUSE / SPRING HOUSING / BARILLET	6.472-109.0	1
10	STIFT / PIN / CHEVILLE	6.472-108.0	1
12	MEMBRANE / DIAPHRAGM / MEMBRANE	6.472-128.0	1
14	RAENDELMUTTER / KNURLED NUT / ECROU MOLETE	6.472-340.0	1
17	O-RING 12,0 X 1,5 / GASKET / BAQUE D'ETANCHEITE	6.472-125.0	1
18	MAGNETVENTIL KPL. / SOLENOID VALVE / ELECTROVANNE	6.472-408.0	1
19	O-RING 28,5 X 1,6 / GASKET / BAQUE D'ETANCHEITE	6.472-120.0	1
22	ACHSENDICHTUNG / SHAFT SEAL / ETOUPAGE D'ESSIEU	6.472-105.0	1

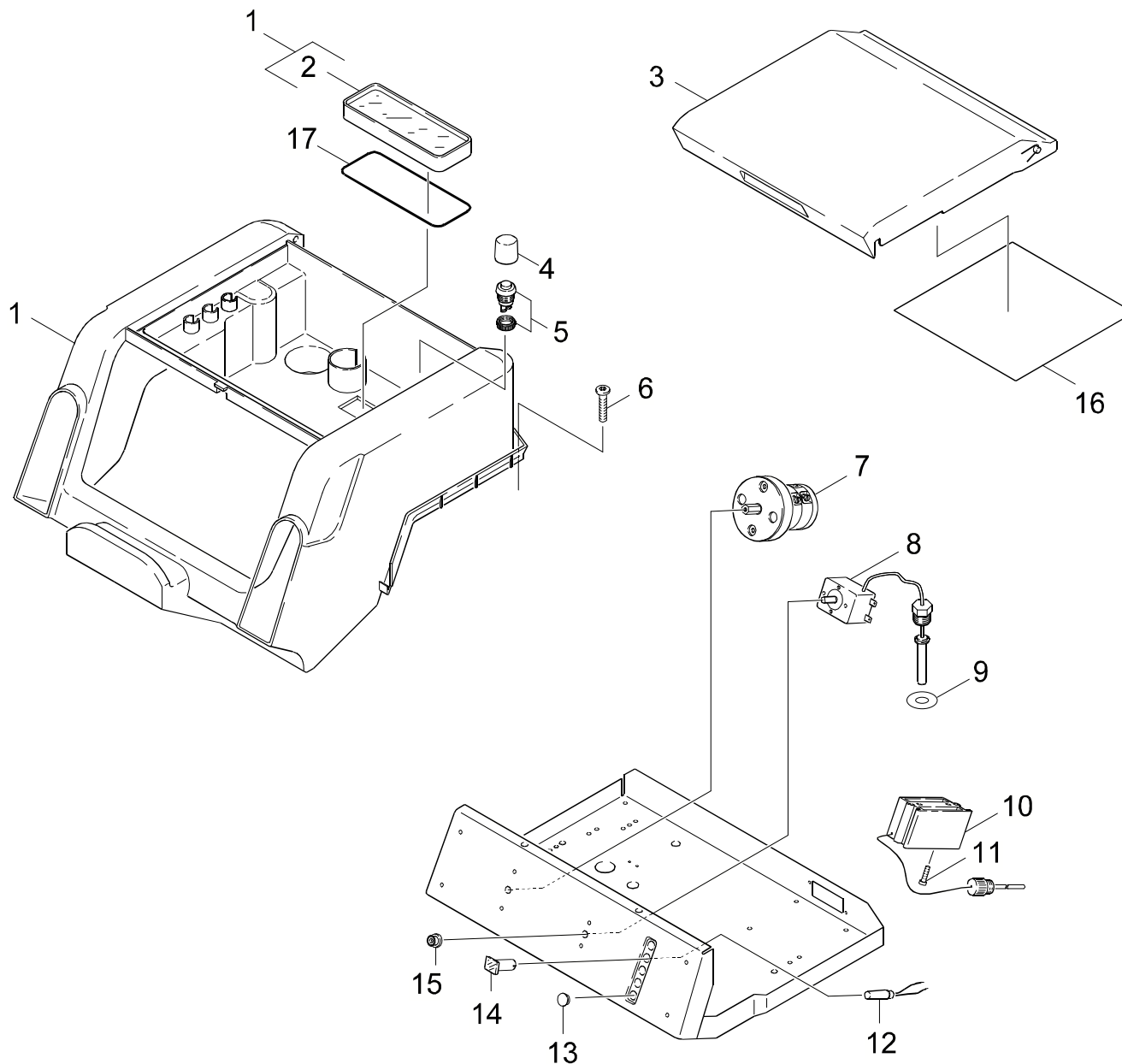
"=> xxxxxx" = bis Werknummer / up to serial No. / jusqu' au No. de fabr. / "xxxxxx =>" = ab Werknummer / from serial No. / a partir du No. de fabr. /

GRUPPE: 6.0 E-GERAETESCHRANK
GROUP: 6.0 ELECTRIC CONTROL BOX
GRUPPE: 6.0 COFFRET ELECTRIQUE

A6

HDS 995

GRUPPE: 6.0 E-GERAETESCHRANK
GROUP: 6.0 ELECTRIC CONTROL BOX
GRUPPE: 6.0 COFFRET ELECTRIQUE



Symbolbeschreibung siehe M16 / symbol description see M16 / désignation de système voir M16 /

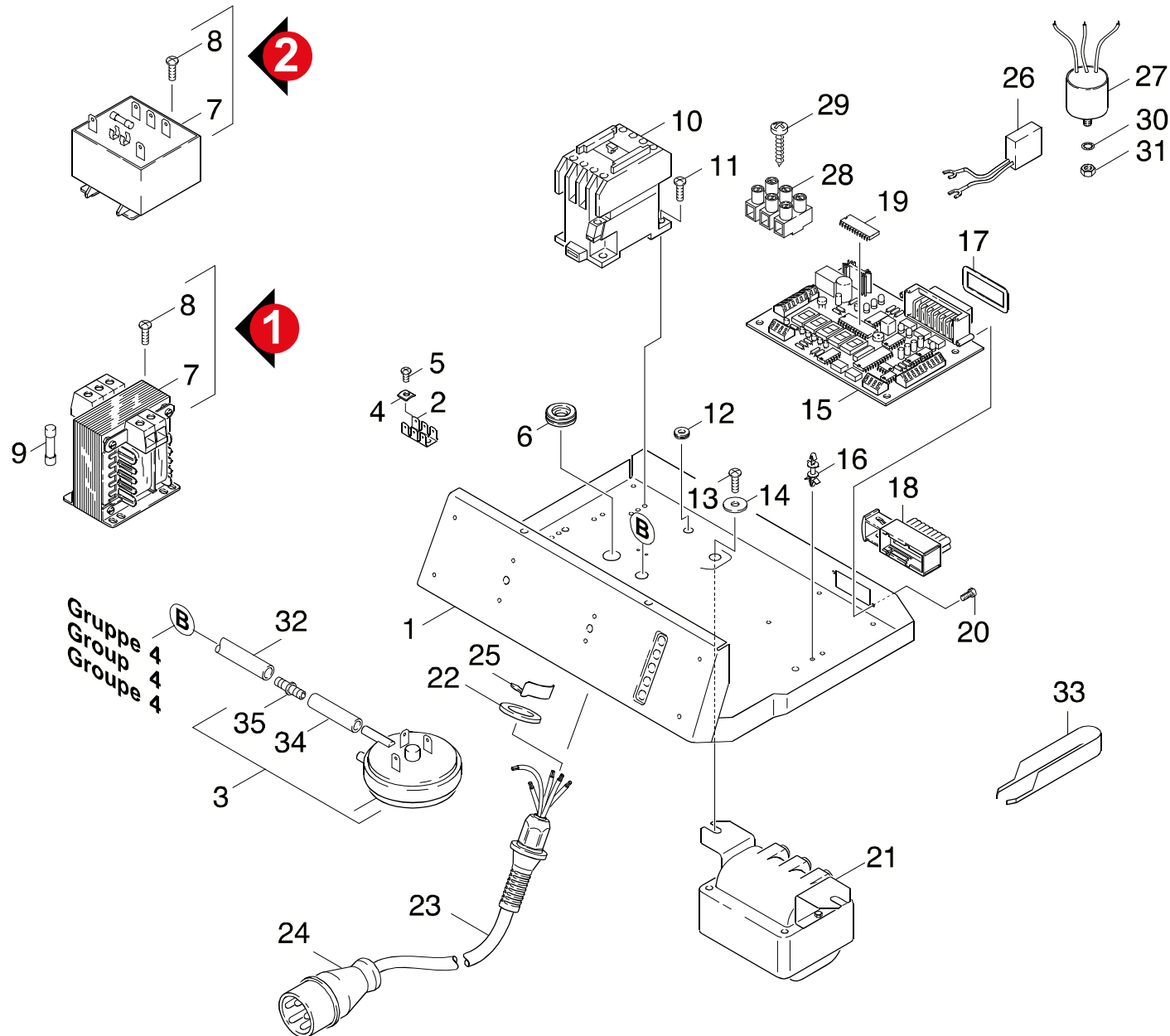
GRUPPE: 6.1 OBERTEIL
GROUP: 6.1 TOP PART
GROUPE: 6.1 PARTIE SUPERIEUR

C6

HDS 995

POS. ITM. POS.	BENNENUNG DESCRIPTION DESIGNATION	TEILE-NR. PART-NO. NO.PIECE	STCK QTY. NBR.
1	HAUBE KPL / COVER / CAPOT	4.066-170.0	1
2	DECKEL / COVER / COUVERCLE	5.063-498.0	1
3	KLAPPE / FLAP / CLAPET	5.030-826.0	1
4	GUMMIKAPPE / RUBBER CAP / CAPUCHON EN CAOUTCHOUC	6.368-057.0	1
5	DRUCKTASTER / PUSH BUTTON / BOUTON-POUSSOIR	6.634-106.0	1
6	SCHRAUBE M 5X 55 / SCREW / VIS	7.303-045.0	2
7	SCHALTER / SWITCH / INTERRUPTEUR	6.631-081.0	1
	VERSION 2STECKVERBINDUNG/PLUG-IN CONNECTION/CONNECTEUR A FICHES		
7	SCHALTER / SWITCH / INTERRUPTEUR	6.631-877.0	1
	VERSION 1SCHRAUBVERBINDUNG/SCREW CONNECTION/RACCORD FILETE		
8	TEMPERATURREGLER / THERMOSTAT / THERMOSTAT	6.685-868.0	1
9	SCHEIBE / WASHER / RONDELLE	5.115-375.0	1
10	ABGAS-TEMP.WAECHTER / FLUE-GAS TEMPERAT.MONITOR / CONTR.TEMPER.DE GAZ	6.685-941.0	1
11	SCHRAUBE M 4X 8 / SCREW / VIS	7.306-056.0	2
12	SIGNALLEUCHE / PILOT LAMP / LAMPE TEMOIN	6.651-275.0	4
13	ZIERKAPPE D10/D12 / ORNAMENTAL HUB CAP / ENJOLIVEUR DE ROUE	6.368-076.0	1
14	LINSENGEHAUSE ROT / HOUSING / CARTER	6.651-316.0	4
15	PROFILDICHTUNG / SEAL / ETOUPE PROFILE	5.365-152.0	1
16	KURZBEDIENUNGSANL. / INSTRUCTION MANUAL,SHORT / MANUEL CONDENSE	5.389-578.0	1
17	MOOSGUMMISCHNUR 4 / CELLULAR RUBBER CORD / CORDON EN CAOUTCHOUC CELL	6.273-070.0	1

"=> xxxxxx" = bis Werknummer / up to serial No. / jusqu' au No. de fabr. / "xxxxxx =>" = ab Werknummer / from serial No. / a partir du No. de fabr. /



Gruppe 4
Group 4
Groupe 4

Symbolbeschreibung siehe M16 / symbol description see M16 / désignation de système voir M16 /

GRUPPE: 6.2 UNTERTEIL
 GROUP: 6.2 BOTTOM
 GROUPE: 6.2 PARTIE INFERIEURE

E6

HDS 995

POS. ITM. POS.	BENNENNUNG DESCRIPTION DESIGNATION	TEILE-NR. PART-NO. NO.PIECE	STCK QTY. NBR.	POS. ITM. POS.	BENNENNUNG DESCRIPTION DESIGNATION	TEILE-NR. PART-NO. NO.PIECE	STCK QTY. NBR.
1	BLECHTEIL / PLATE / TOLE	5.049-551.0	1	21	ZUENDTRAFO ET-SATZ / TRANSFORMER / TRANSFORMATEUR	2.883-470.0	1
1	BLECHTEIL / PLATE / TOLE / 1.027-861.0	5.059-001.0	1		/ 1.027-281.0		
2	FLACHSTECKER / PLUG / FICHE PLATE	6.641-270.0	1	22	SCHEIBE / WASHER / RONDELLE	5.115-255.0	1
3	UBS DRUCKSCHALTER- / KIT / KIT DE MODIFIC.	2.638-961.0	1	23	KABEL MIT TUELLE / CABLE / CABLE	6.647-237.0	1
4	KLEMMSCHEIBE 4 / CLAMPIUNG DISC / DISQUE DE SERRAGE	6.641-804.0	2		/ 1.027-291.0		
5	SCHNEIDSCHR. M4X 8 / SELF-TAPPING SCREW / VIS AUTOTARAUEUSE	6.303-017.0	4	23	KABEL MIT TUELLE / CABLE / CABLE	6.647-250.0	1
6	PROFILDICHTUNG / SEAL / ETOUPE PROFILE	5.365-158.0	1		/ 1.027-111.0 / -281.0 / -611.0 / -801.0 / -811.0 / -821.0 / -831.0 / -861.0		
7	STEUERTRAFO 40VA / TRANSFORMER / TRANSFORMATEUR / 1.027-111.0VERSION 1 / -291.0VERSION 1 / -801.0 / -811.0 / -821.0 / -831.0	6.622-021.0	1	24	CEE-STECKER 16A / CEE-PLUG / CEE-FICHE	6.646-030.0	1
7	STEUERTRAFO / TRANSFORMER / TRANSFORMATEUR / 1.027-281.0	6.622-050.0	1	24	GERAETESTECKER / PLUG / PRISE APPAREIL	6.646-266.0	1
7	STEUERTRAFO / TRANSFORMER / TRANSFORMATEUR / 1.027-611.0	6.622-156.0	1	25	SICHERUNGSClip / SECURING CLIP / CLIP	6.343-170.0	1
7	STEUERTRAFO 400V / TRANSFORMER / TRANSFORMATEUR / 1.027-111.0VERSION 2 / -801.0VERSION 2 / -811.0VERSION 2 / -821.0VERSION 2 / -831.0VERSION 2 / -861.0VERSION 2	6.622-241.0	1	26	ENTSTOERGLIED 24V / INTERFERENCE UNIT / ELEMENT D'ANTIPARASITE	6.641-802.0	1
8	SCHRAUBE M 4X 8 / SCREW / VIS	7.303-030.0	2	27	FUNKENTSTOERFILTER / INTERFERENCE SUPPRESSOR / FILTRE ANTIPARASITE	6.661-091.0	1
9	G-SCHMELZEINSATZ / CARTRIDGE / BOUCHON FUSIBLE	6.644-052.0	1		/ 1.027-111.0 / -281.0 / -291.0 / -801.0 / -811.0 / -821.0 / -831.0 / -861.0		
10	LEISTUNGSSCHUETZ / CONTACTOR / CONTACTEUR	6.632-311.0	1	28	KLEMMLEISTE / STRIP TERMINAL / BORNE PLATE	6.643-249.0	1
11	SCHRAUBE M 4X 16 / SCREW / VIS	7.303-033.0	2		/ 1.027-291.0		
12	DURCHFUEHR. TUELLE / BUSH / DOUILLE DE TRAVERSEE	6.641-422.0	1	30	FAECHERSCHEIBE A4,3 / SERRATED LOCK WASHER / RONDELLE A EVENTAIL	7.312-230.0	1
13	SCHRAUBE M 5X 8 / SCREW / VIS	7.303-036.0	1	31	6KT-MUTTER M 4 / HEXAGON NUT / ECROU HEXAGONAL	7.311-001.0	1
14	SCHEIBE 6 / WASHER / RONDELLE	7.312-260.0	1	32	SCHLAUCH 3X 1,35 / HOSE / TUYAU FLEXIBLE	6.389-639.0	1
15	SERVICE ELEKTRONIK / SERVICE / SERVICE	6.682-279.0	1	33	WERKZEUG / TOOL / OUTIL MONTEUR	5.901-134.0	1
16	DISTANZSTUETZE / SPACER SLEEVE / PIECE INTERCALAIRE	6.646-269.0	3	34	SCHLAUCHSTUECK / HOSE / BOUT DE TUYAU	5.442-927.0	1
17	FLACHDICHTUNG / GASKET / GARNITURE PLATE	5.364-158.0	1	35	NIPPEL / NIPPLE / NIPPLE	5.409-270.0	1
18	STECKERGEHAEUSE / PLUG HOUSING / LOGEMENT DE PRISE	6.646-254.0	1				
19	SONDERPROG. HDFLAMM / SPECIAL PROGRAMME / SONDERPROG. HDFLAMM	6.682-332.0	1				
20	BL.SCHR. ST2,9X 9,5 / SHEET METAL SCREW / VIS A TOLE	7.303-371.0	2				
21	ZUENDTRAFO ET-SATZ / TRANSFORMER / TRANSFORMATEUR / 1.027-111.0 / -291.0 / -611.0 / -801.0 / -811.0 / -821.0 / -831.0 / -861.0	2.883-468.0	1				

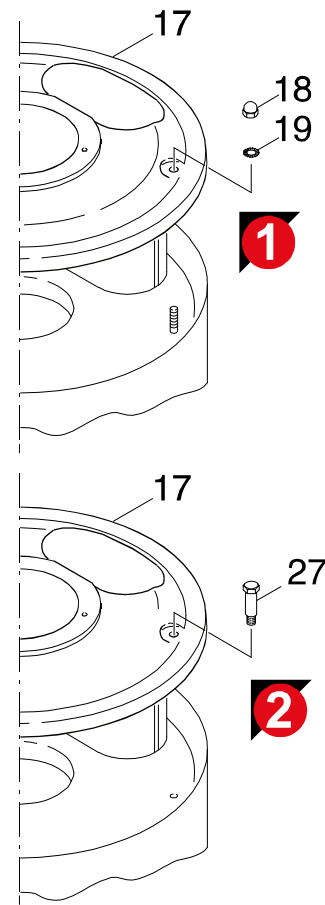
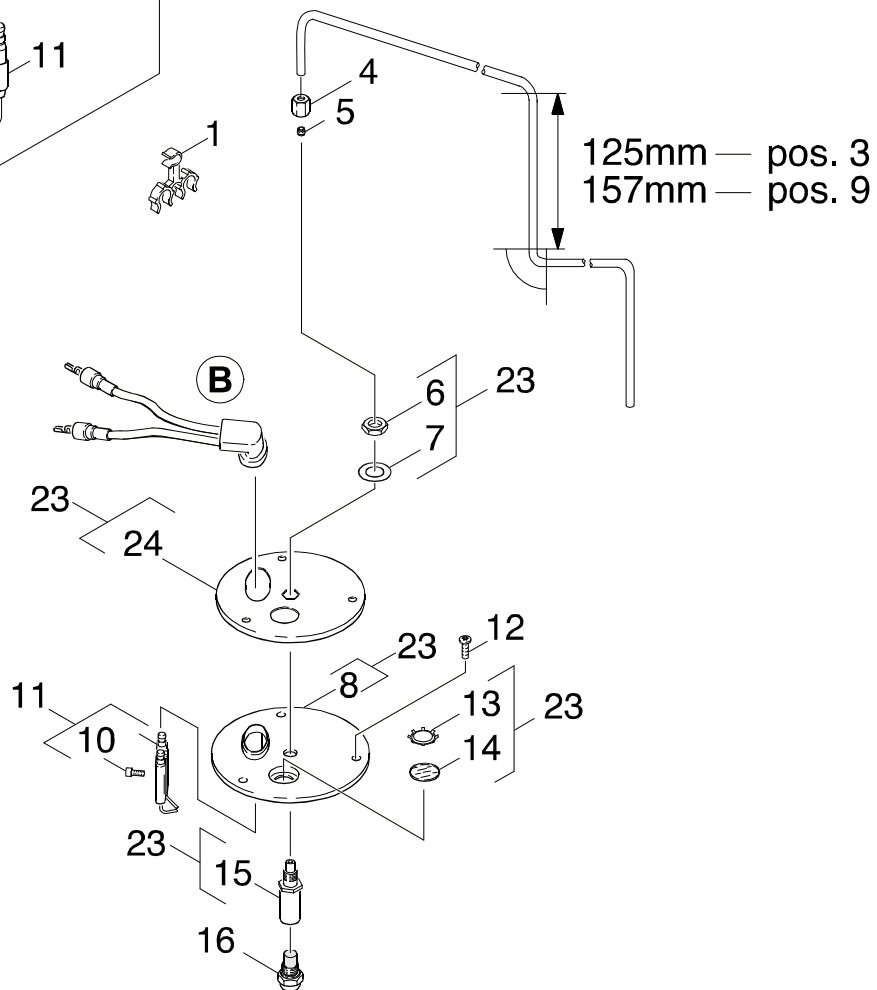
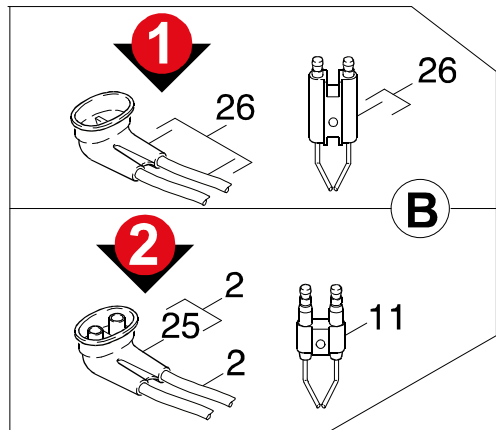
"=> xxxxxx" = bis Werknummer / up to serial No. / jusqu' au No. de fabr. / "xxxxxx =>" = ab Werknummer / from serial No. / a partir du No. de fabr. /

GRUPPE: 7.0 DURCHLAUFERHITZER / BEVORRATUNG EINGESTEL
GROUP: 7.0 FLOW HEATER / SPARE PARTS STOCKING
GRUPPE: 7.0 CHAUFFE-EAU RAPIDE / STOCKAGE EST TERMINE

A7

HDS 995

GRUPPE: 7.0 DURCHLAUFERHITZER
GROUP: 7.0 FLOW HEATER
GRUPPE: 7.0 CHAUFFE-EAU RAPIDE



Symbolbeschreibung siehe M16 / symbol description see M16 / désignation de système voir M16 /

GRUPPE: 7.1 BRENNERDECKEL
 GROUP: 7.1 BURNER COVER
 GROUPE: 7.1 COUVERCLE BRULEUR

C7

HDS 995

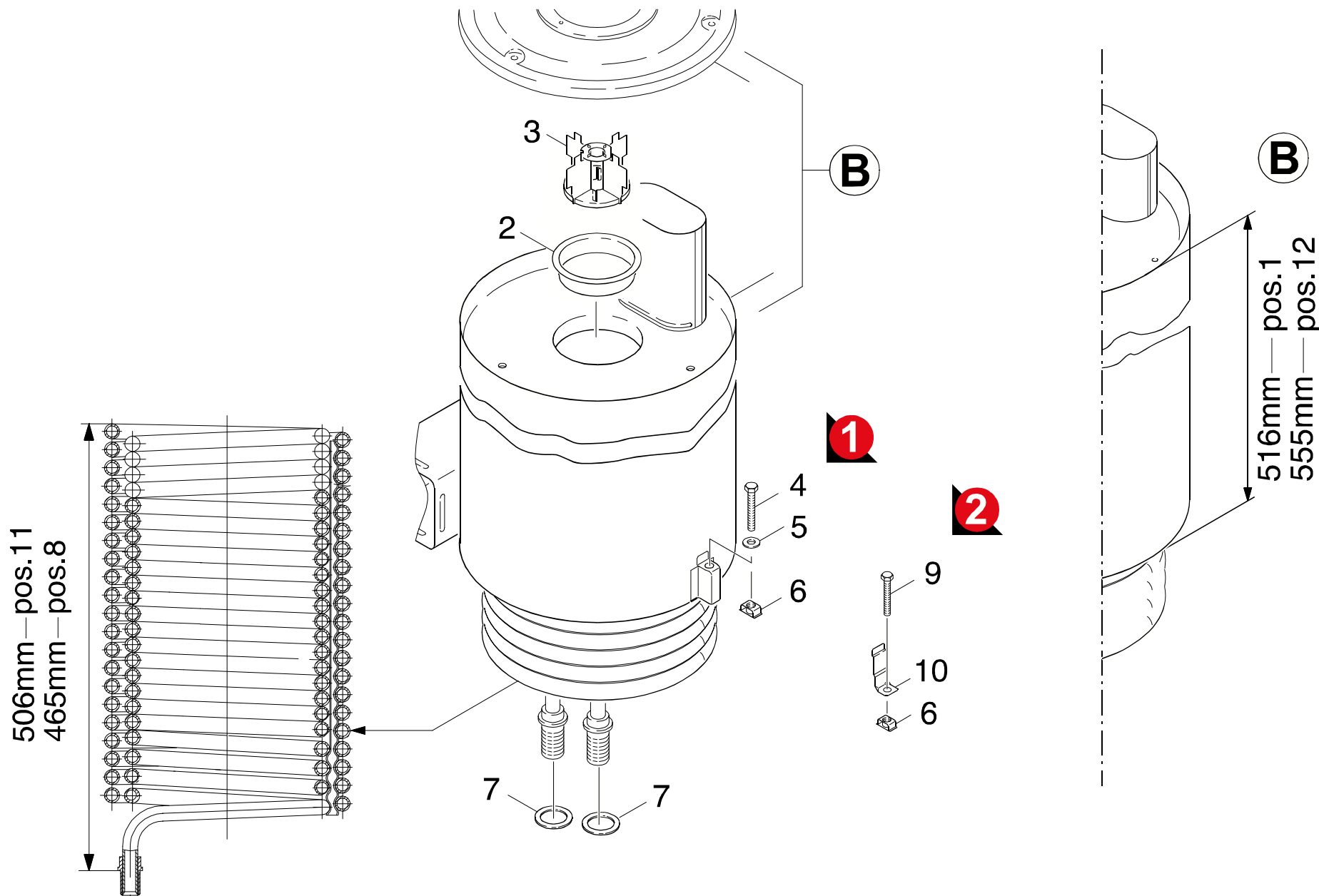
POS. ITM. POS.	BENNENUNG DESCRIPTION DESIGNATION	TEILE-NR. PART-NO. NO.PIECE	STCK QTY. NBR.
1	HALTER / BRACKET / FIXATION	6.647-527.0	1
2	ZUENDKABEL KPL. / IGNITION CABLE / FIL D'AMORCE	4.821-071.0	1
3	LEITUNGSROHR / PIPE / TUBE CONDUCTEUR	5.423-186.0	1
	VERSION 1		
4	UE-MUTTER A 4-LL / UNION NUT / ECROU RACOURD	6.389-262.0	1
5	SCHNEIDRING D.4 / CUTTING RING / BAGUE COUPANTE	6.389-263.0	1
6	6KT-MUTTER M10X1 / HEXAGON NUT / ECROU HEXAGONAL	7.311-101.0	1
7	FEDERSCHEIBE B 10,0 / SPRING WASHER / RONDELLE ELAST.	7.312-302.0	1
8	BRENNERDECKEL / BURNER COVER / COUVERCLE BRULEUR	5.662-019.0	1
9	LEITUNGSROHR / PIPE / TUBE CONDUCTEUR	5.423-187.0	1
	VERSION 2		
10	LINSENSCHR. M 5X 14 / OVAL HEAD SCREW / VIS A TETE BOMBEE	7.306-328.0	1
11	ET-SET NEUTRAL / SPARE PARTS SET / JEU DE PIECES DECHANGE	2.884-085.0	1
12	SCHRAUBE M 5X 12 / SCREW / VIS	7.303-038.0	3
13	ZACKENRING / RING / ANNEAU	6.343-165.0	1
14	GLASSCHEIBE / GLASS PANE / VITRE	6.278-018.0	1
15	DUESENHALTER / NOZZLE HOLDER / PORTE - BUSE	5.667-055.0	1
16	DUESE / NOZZLE / BUSE	6.415-641.0	1
17	DECKEL D.K. / COVER / COUVERCLE	5.654-066.0	1
18	HUTMUTTER M 6 / CAP NUT / ECROU BORGNE	7.311-380.0	3
	VERSION 1/VERSION 1/VERSION 1		
19	ZAHNSCHEIBE A 6,4 / LOCK WASHER / ROUE PLATE	7.312-167.0	3
	VERSION 1/VERSION 1/VERSION 1		
23	UBS BRENNERDECKEL / KIT / KIT DE MODIFIC.	2.882-392.0	1
24	DECKEL D.K. / COVER / COUVERCLE	5.654-059.0	1
25	SCHUTZKAPPE / PROTECTIVE CAP / CAPOT PROTECTION	5.394-470.0	1
26	UBS ZUENDKABEL / KIT / KIT DE MODIFIC.	2.638-976.0	1
27	SCHNEIDSCHRAUBE / SELF-TAPPING SCREW / VIS AUTOTARAUEUSE	6.303-258.0	3
	VERSION 2/VERSION 2/VERSION 2		

"=> xxxxxx" = bis Werknummer / up to serial No. / jusqu' au No. de fabr. / "xxxxxx =>" = ab Werknummer / from serial No. / a partir du No. de fabr. /

GRUPPE: 7.2 HEIZSCHLANGE
GROUP: 7.2 HEATING COIL
GRUPPE: 7.2 SERPENTIN

D7

HDS 995



Symbolbeschreibung siehe M16 / symbol description see M16 / désignation de système voir M16 /

GRUPPE: 7.2 HEIZSCHLANGE
GROUP: 7.2 HEATING COIL
GRUPPE: 7.2 SERPENTIN

E7

HDS 995

POS. ITM. POS.	BENNENUNG DESCRIPTION DESIGNATION	TEILE-NR. PART-NO. NO.PIECE	STCK QTY. NBR.
1	AUSSENMANTEL / OUTER JACKET / ENVELOPPE	4.652-123.0	1
2	BRENNERTEIL / BURNER PART / PIECE DE BRULEUR	5.664-195.0	1
3	BRENNEREINSATZ / BURNER CAGE / BRULEUR CAGE	4.663-088.0	1
4	6KT-SCHR. M 8X 60 / HEXAGONAL HEAD SCREW / VIS HEXAGONAL	7.304-096.0	3
	VERSION 1/VERSION 1/VERSION 1		
5	SCHEIBE 8 / WASHER / RONDELLE	7.312-277.0	3
	VERSION 1/VERSION 1/VERSION 1		
6	KAFIGMUTTER M 8 / NUT / ECROU	6.310-081.0	3
7	PROFILDICHTUNG / SEAL / ETOUPE PROFILE	5.365-068.0	2
8	HEIZSCHLANGE / HEATING COIL / SERPENTIN	4.680-097.0	1
8	HEIZSCHLANGE VA / HEATING COIL / SERPENTIN	4.680-114.0	1
	EDELSTAHLAUSFUEHRUNG/STAINLESS STEEL CONSTRUCTION/CONSTRUCTION EN ACIER SPECIAL		
9	6KT-SCHR. M 8X 16 / HEXAGONAL HEAD SCREW / VIS HEXAGONAL	7.304-051.0	3
	VERSION 2/VERSION 2/VERSION 2		
10	HALTER / BRACKET / FIXATION	5.044-420.0	3
	VERSION 2/VERSION 2/VERSION 2		
11	HEIZSCHLANGE / HEATING COIL / SERPENTIN	4.680-135.0	1
12	AUSSENMANTEL / OUTER JACKET / ENVELOPPE	4.652-131.0	1

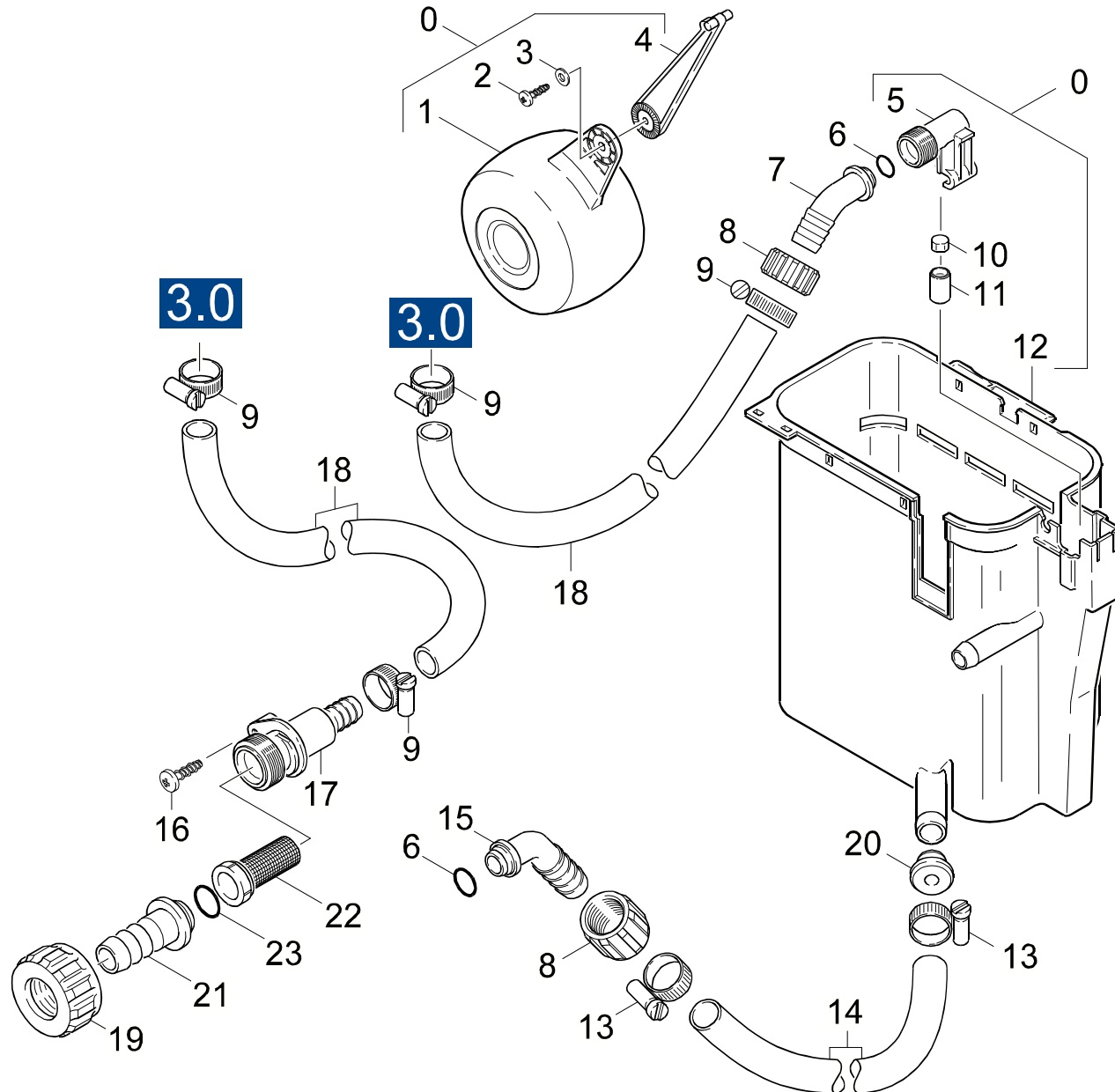
"=> xxxxxx" = bis Werknummer / up to serial No. / jusqu' au No. de fabr. / "xxxxxx =>" = ab Werknummer / from serial No. / a partir du No. de fabr. /

GRUPPE: 8.0 SCHWIMMERKASTEN
GROUP: 8.0 FLOAT CHEST
GRUPPE: 8.0 BOITE DU FLOTTEUR

A8

HDS 995

GRUPPE: 8.0 SCHWIMMERKASTEN
GROUP: 8.0 FLOAT CHEST
GRUPPE: 8.0 BOITE DU FLOTTEUR



Symbolbeschreibung siehe M16 / symbol description see M16 / désignation de système voir M16 /

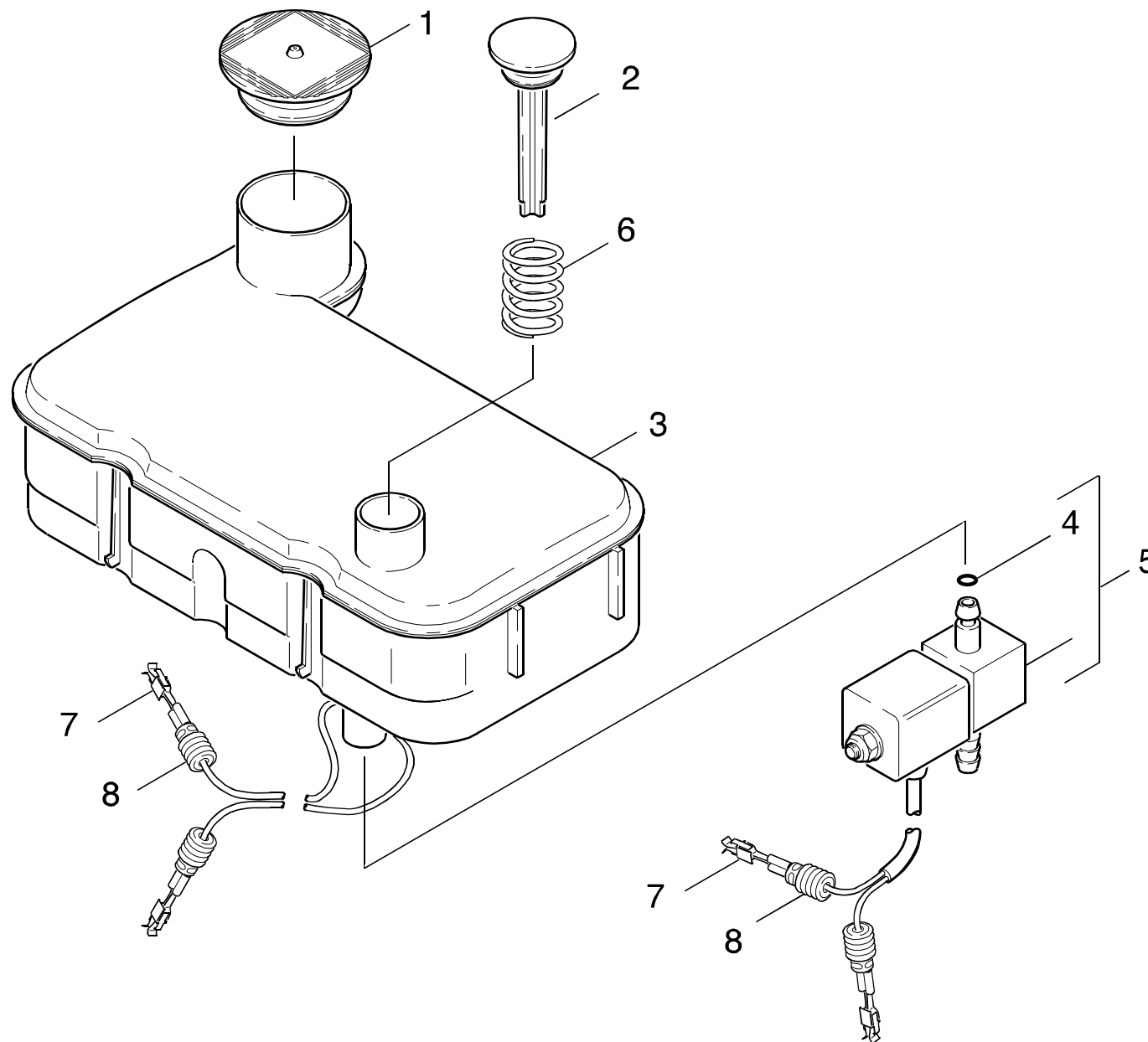
GRUPPE: 8.1 SCHWIMMERKASTEN
 GROUP: 8.1 FLOAT CHEST
 GROUPE: 8.1 BOITE DU FLOTTEUR

C8

HDS 995

POS. ITM. POS.	BENNENUNG DESCRIPTION DESIGNATION	TEILE-NR. PART-NO. NO.PIECE	STCK QTY. NBR.
0	SCHWIMMERVERTIL / FLOAT VALVE / SOUPAPE A FLOTTEUR	3.593-082.0	1
1	SCHWIMMER / FLOAT / FLOTTEUR	5.585-004.0	1
2	SCHRAUBE 5 X 16 / SCREW / VIS	7.303-104.0	1
3	SCHEIBE 5 / WASHER / RONDELLE	7.312-282.0	1
4	HEBEL / LEVER / LEVIER	5.481-118.0	1
5	VENTILGEHAEUSE / VALVE HOUSING / CORPS DE SOUPAPE	5.587-147.0	1
6	O-RING 13,3 X 2,4 / GASKET / BAQUE D'ETANCHEITE	6.362-078.0	2
7	SCHLAUCHNIPPEL / HOSE STEM / RACCORD DE FLEXIBLE	5.443-285.0	1
8	MUTTER / NUT / ECROU	5.310-062.0	2
9	SCHLAUCHSCHELLE / HOSE BAND CLIP / COLLIER DE SERRAGE	6.388-547.0	4
10	FLACHDICHTUNG / GASKET / GARNITURE PLATE	5.364-095.0	1
11	VENTILBOLZEN / VALVE PIN / BOULON DE SOUPAPE	5.584-085.0	1
12	BEHAELTER / TANK / BAC	5.070-140.0	1
13	SCHLAUCHSCHELLE / HOSE BAND CLIP / COLLIER DE SERRAGE	6.388-548.0	2
14	SCHLAUCH 19X4 / HOSE / TUYAU FLEXIBLE	6.389-556.0	1
15	SCHLAUCHNIPPEL / HOSE STEM / RACCORD DE FLEXIBLE	5.443-211.0	1
16	SCHRAUBE 6 X 20 / SCREW / VIS	7.303-112.0	1
17	KNOTENSTUECK / MANIFOLD / FERRURE NODALE	5.427-154.0	1
18	SCHLAUCH DN16 / HOSE / TUYAU FLEXIBLE	6.388-719.0	1
	ALS METERWARE BESTELLEN/TO ORDER AS CUT GOODS/COMMANDE COMME MARCHANDISE AU METRE		
19	MUTTER / NUT / ECROU	5.310-076.0	1
20	BUCHSE / BUSH / DOUILLE	5.112-286.0	1
21	SCHLAUCHNIPPEL / HOSE STEM / RACCORD DE FLEXIBLE	5.443-291.0	1
22	SIEB / STRAINER / CREPINE	6.414-141.0	1
23	O-RING 19,3 X 2,4 / GASKET / BAQUE D'ETANCHEITE	6.362-161.0	1

"=> xxxxxx" = bis Werknummer / up to serial No. / jusqu' au No. de fabr. / "xxxxxx =>" = ab Werknummer / from serial No. / a partir du No. de fabr. /



Symbolbeschreibung siehe M16 / symbol description see M16 / désignation de système voir M16 /

GRUPPE: 8.2 DGT
GROUP: 8.2 DROP METERING UNIT
GRUPPE: 8.2 DGT

E8

HDS 995

POS. ITM. POS.	BENNENUNG DESCRIPTION DESIGNATION	TEILE-NR. PART-NO. NO.PIECE	STCK QTY. NBR.
1	DECKEL / COVER / COUVERCLE	5.063-487.0	1
2	DECKEL / COVER / COUVERCLE	5.063-507.0	1
3	BEHAELTER / TANK / BAC	4.070-164.0	1
4	O-RING 6,0 X 2,0 / GASKET / BAQUE D'ETANCHEITE	6.362-113.0	1
5	MAGNETVENTIL DN 3 / SOLENOID VALVE / ELECTROVANNE	6.685-936.0	1
6	SCHRAUBENFEDER / HELICAL SPRING / RESSORT CYLINDRIQUE	5.332-001.0	1
7	KONTAKT / CONTACT / CONTACT	6.647-234.0	4
8	EINZELADERABDICHT. / SEAL / ETOUPAGE	6.647-235.0	4

"=> xxxxxx" = bis Werknummer / up to serial No. / jusqu' au No. de fabr. / "xxxxxx =>" = ab Werknummer / from serial No. / a partir du No. de fabr. /

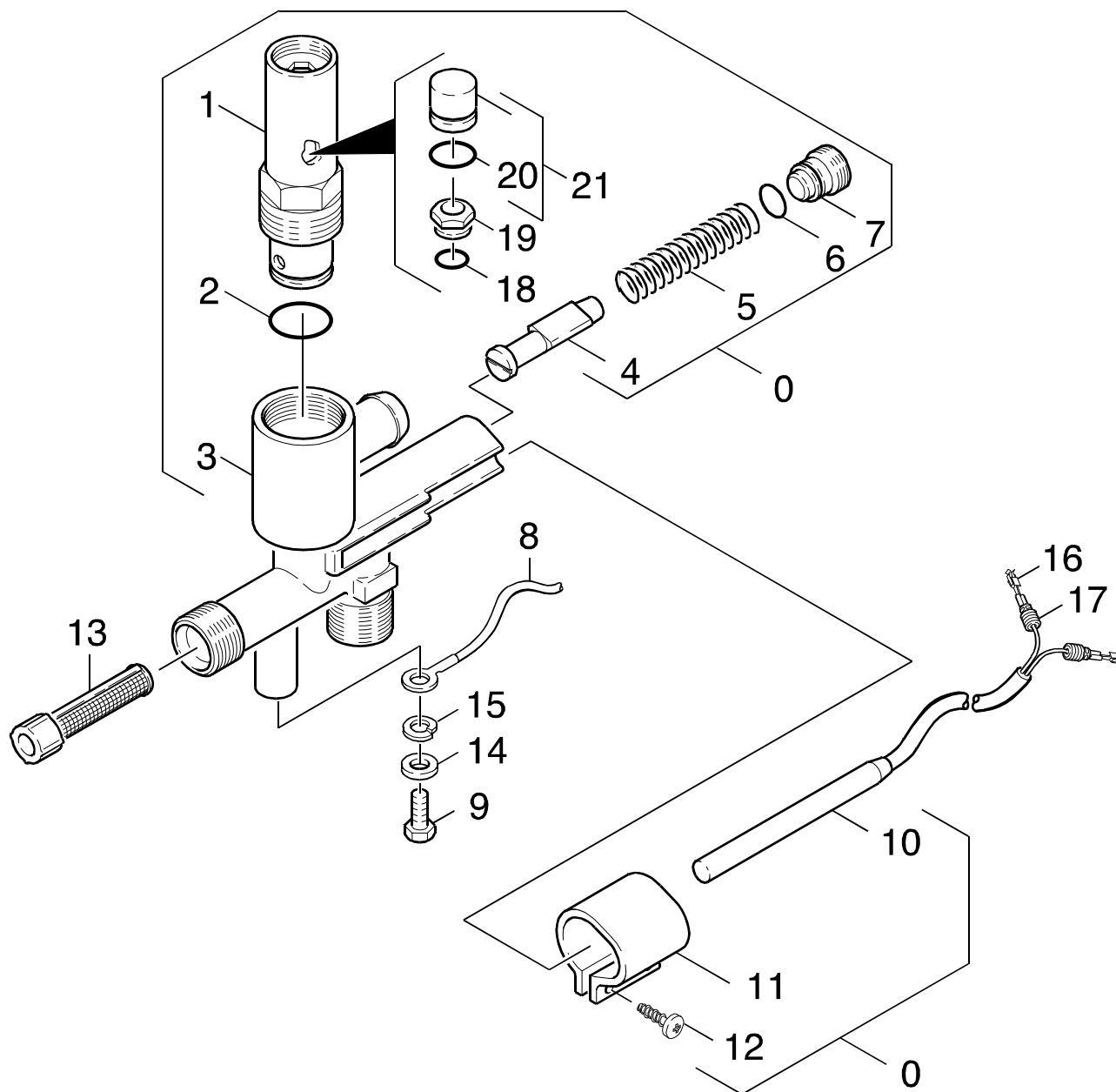
GRUPPE: 9.0 SICHERHEITSBLOCK
GROUP: 9.0 SAFETY SYSTEM
GRUPPE: 9.0 BLOC DE SECURITE

A9

HDS 995

GRUPPE: 9.0 SICHERHEITSBLOCK
GROUP: 9.0 SAFETY SYSTEM
GRUPPE: 9.0 BLOC DE SECURITE

Ersatzteile unter www.gluesing.net



Symbolbeschreibung siehe M16 / symbol description see M16 / désignation de système voir M16 /

GRUPPE: 9.0 SICHERHEITSBLOCK
GROUP: 9.0 SAFETY SYSTEM
GROUPE: 9.0 BLOC DE SECURITE

C9

HDS 995

POS. ITM. POS.	BENNENUNG DESCRIPTION DESIGNATION	TEILE-NR. PART-NO. NO.PIECE	STCK QTY. NBR.
0	SICHERHEITSBLOCK / SAFETY SYSTEM / BLOC DE SECURITE	4.749-111.0	1
1	SICHERHEITSVENTIL / SAFETY VALVE / SOUPAPE (TROP-PLEIN)	6.412-800.0	1
2	O-RING 17,0 X 2,0 / GASKET / BAQUE D'ETANCHEITE	6.362-580.0	1
3	GEHAEUSE / HOUSING / BOITIER	5.060-422.0	1
4	KOLBEN / PISTON / PISTON	4.553-022.0	1
5	SCHRAUBENFEDER / HELICAL SPRING / RESSORT CYLINDRIQUE	5.332-057.0	1
6	O-RING 10 X 1,5 / GASKET / BAQUE D'ETANCHEITE	6.362-482.0	1
7	FORMSCHRAUBE / FORM SCREW / VIS	5.305-162.0	1
10	ERSATZREEDSCHALTER / SPARE REED SWITCH / INTERRUPT.REED DE RESERVE	2.883-338.0	1
11	SCHELLE / CLAMP / COLLIER	5.041-076.0	1
12	LINSENSCHR. 4,2X 13 / OVAL HEAD SCREW / VIS A TETE BOMBEE	6.303-122.0	2
13	SIEB / STRAINER / CREPINE	6.414-418.0	1
16	KONTAKT / CONTACT / CONTACT	6.647-234.0	2
17	EINZELADERABDICHT. / SEAL / ETOUPAGE	6.647-235.0	2
18	O-RING 8,0 X 1,5 / GASKET / BAQUE D'ETANCHEITE	6.362-388.0	1
19	VENTILSITZ / VALVE SEAT / SIEGE DE SOUPAPE	6.412-263.0	1
20	O-RING 14,0 X 2,0 / GASKET / BAQUE D'ETANCHEITE	6.362-481.0	1
21	KOLBEN MIT DICHTUNG / PISTON / PISTON	6.412-264.0	1

"=> xxxxxx" = bis Werknummer / up to serial No. / jusqu' au No. de fabr. / "xxxxxx =>" = ab Werknummer / from serial No. / a partir du No. de fabr. /

GRUPPE: 10.0ZUBEHOER
GROUP: 10.0ACCESSORIES
GRUPPE: 10.0ACCESSOIRES

A10

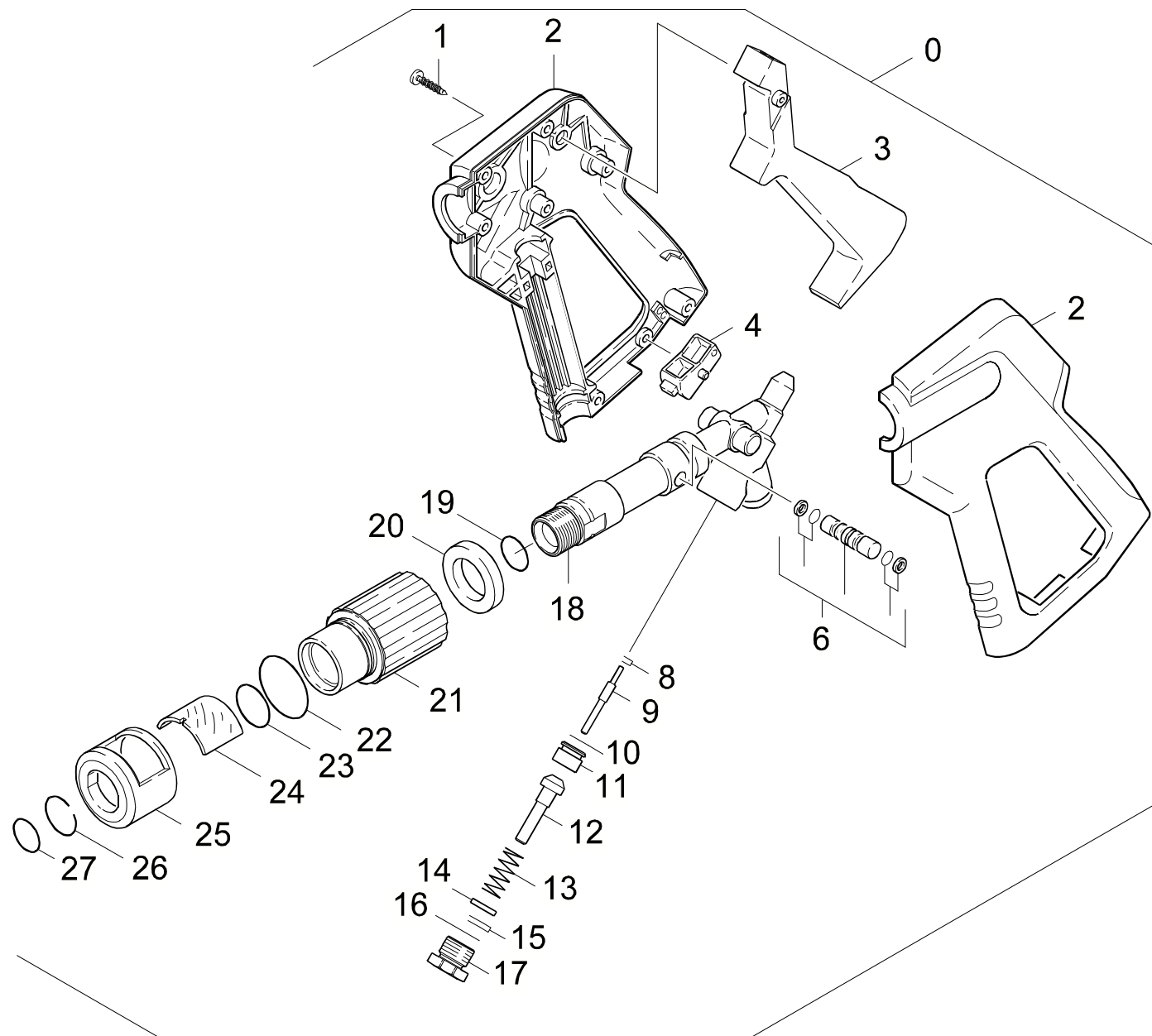
HDS 995

GRUPPE: 10.0ZUBEHOER
GROUP: 10.0ACCESSORIES
GRUPPE: 10.0ACCESSOIRES

GRUPPE: 10.1 HANDSPRITZPISTOLE
GROUP: 10.1 TRIGGER GUN
GRUPPE: 10.1 POIGNEE PISTOLET

B10

HDS 995



Symbolbeschreibung siehe M16 / symbol description see M16 / désignation de système voir M16 /

GRUPPE: 10.1 HANDSPRITZPISTOLE
GROUP: 10.1 TRIGGER GUN
GROUPE: 10.1 POIGNEE PISTOLET

C10

HDS 995

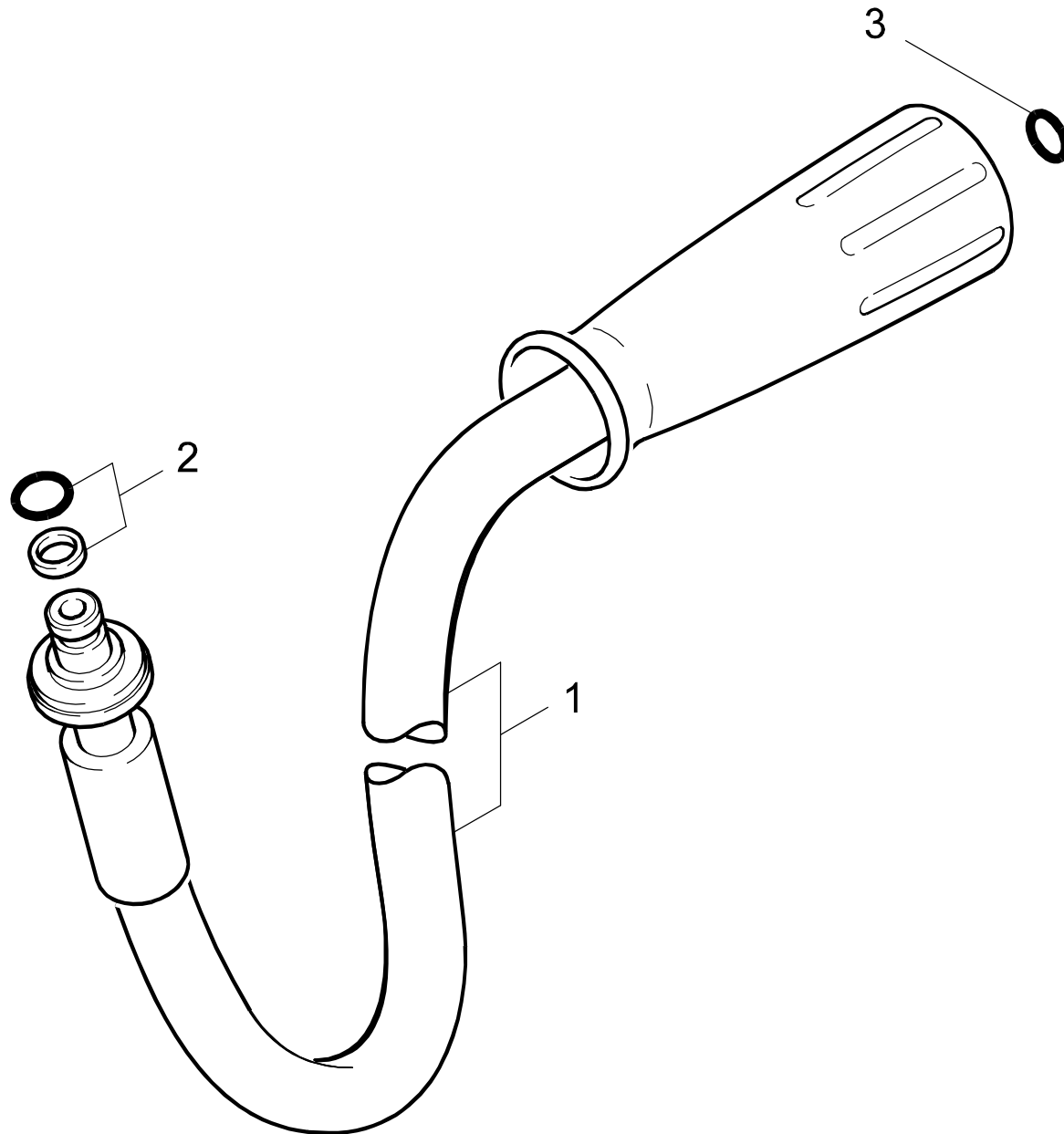
POS. ITM. POS.	BENNENUNG DESCRIPTION DESIGNATION	TEILE-NR. PART-NO. NO.PIECE	STCK QTY. NBR.
0	HANDSPRITZPISTOLE / TRIGGER GUN / POIGNEE PISTOLET	4.775-196.0	1
1	LINSENSCHR. 4,2X22 / OVAL HEAD SCREW / VIS A TETE BOMBEE	6.303-024.0	7
2	GRIFFPAAR / HANDLES / BRANCHES POIGNEE	5.321-297.0	1
3	HEBEL / LEVER / LEVIER	4.481-056.0	1
4	HEBEL / LEVER / LEVIER	5.481-088.0	1
6	KOLBEN KPL. / PISTON / PISTON	4.553-139.0	1
8	O-RING KPL./1ST.-R. / GASKET / BAQUE D'ETANCHEITE	6.362-571.0	1
9	STANGE / BAR / TIGE	5.107-097.0	1
10	O-RING 11,1 X 1,78 / GASKET / BAQUE D'ETANCHEITE	6.362-664.0	1
11	VENTILSITZ / VALVE SEAT / SIEGE DE SOUPAPE	5.581-244.0	1
12	VENTILTELLER / VALVE DISC / TETE DE SOUPAPE	5.582-089.0	1
13	SCHRAUBENFEDER / HELICAL SPRING / RESSORT CYLINDRIQUE	5.332-254.0	1
14	SCHEIBE / WASHER / RONDELLE	5.115-444.0	1
15	O-RING KPL./1ST.-R. / GASKET / BAQUE D'ETANCHEITE	6.362-467.0	1
16	O-RING 14,0 X 1,78 / GASKET / BAQUE D'ETANCHEITE	6.362-673.0	1
17	VERSCHLUSSCHRAUBE / CLOSING SCREW / VIS DE FERMETURE	5.411-080.0	1
18	KNOTENSTUECK / MANIFOLD / FERRURE NODALE	5.427-162.0	1
19	O-RING 19,3 X 2,4 / GASKET / BAQUE D'ETANCHEITE	6.362-161.0	1
20	SCHEIBE / WASHER / RONDELLE	5.115-527.0	1
21	GRIFF HUELSE / HANDLE / POIGNEE	5.321-405.0	1
22	O-RING 26,0 X 1,5 / GASKET / BAQUE D'ETANCHEITE	6.362-428.0	1
23	O-RING 24,0 X 2,0 / GASKET / BAQUE D'ETANCHEITE	6.362-522.0	1
24	SCHAUGLAS / INSPECTION GLASS / VERRE INDICATEUR	5.384-013.0	1
25	GEHAEUSE / HOUSING / BOITIER	5.060-439.0	1
26	SPRENGRING A 24 / RETAINER / CIRCLIP	7.343-482.0	1
27	O-RING 18,77X 1,78 / GASKET / BAQUE D'ETANCHEITE	6.362-559.0	1

"=> xxxxxx" = bis Werknummer / up to serial No. / jusqu' au No. de fabr. / "xxxxxx =>" = ab Werknummer / from serial No. / a partir du No. de fabr. /

GRUPPE: 10.2HD-SCHLAUCH
GROUP: 10.2HIGH PRESSURE HOSE
GRUPPE: 10.2TUYAU FLEXIBLE HAUTE PRE.

D10

HDS 995



Symbolbeschreibung siehe M16 / symbol description see M16 / désignation de système voir M16 /

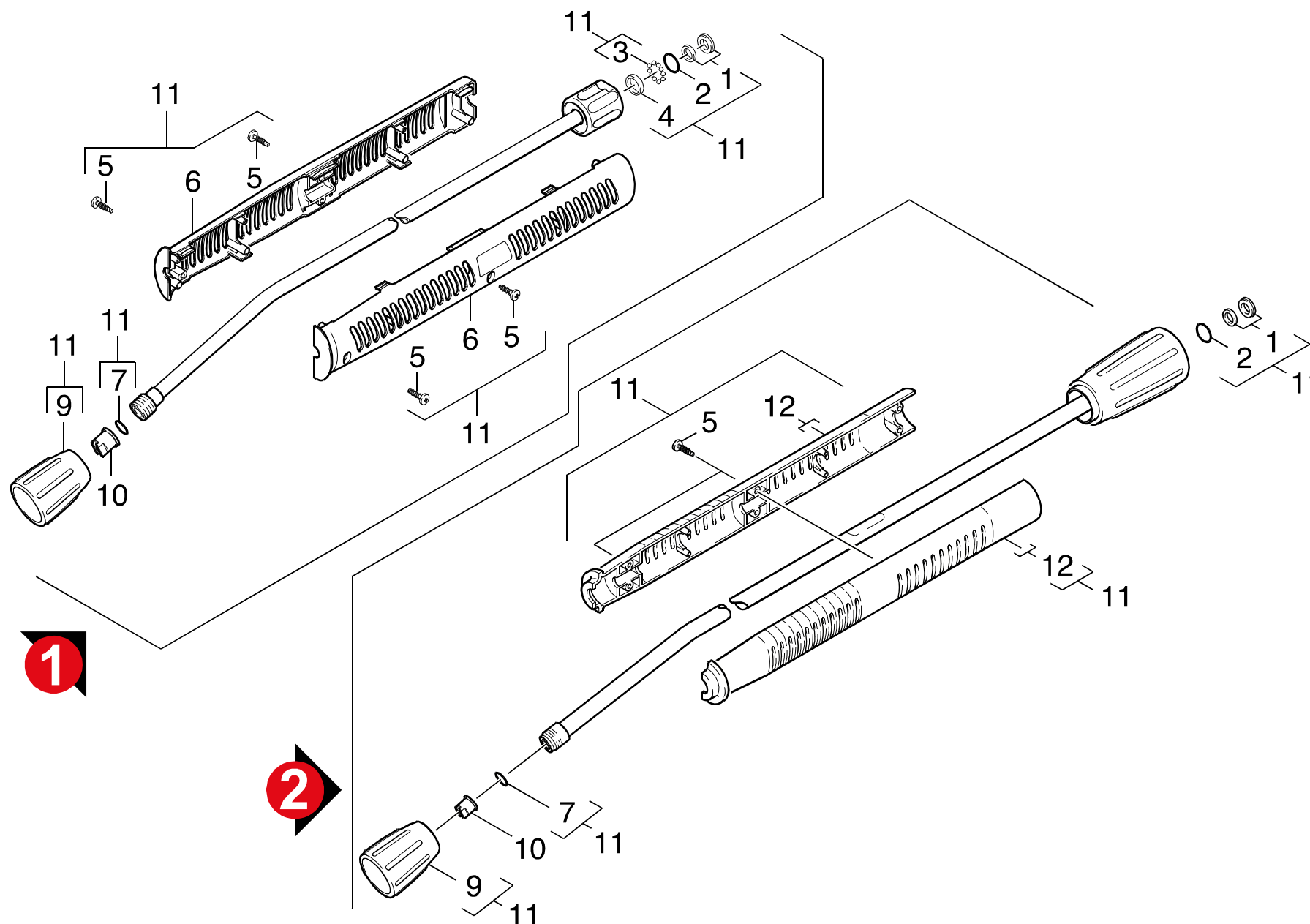
GRUPPE: 10.2HD-SCHLAUCH
GROUP: 10.2HIGH PRESSURE HOSE
GRUPPE: 10.2TUYAU FLEXIBLE HAUTE PRE.

E10

HDS 995

POS. ITM. POS.	BENNENUNG DESCRIPTION DESIGNATION	TEILE-NR. PART-NO. NO.PIECE	STCK QTY. NBR.
1	HD-SCHLAUCH DN 8 / HIGH PRESSURE HOSE / TUYAU FLEXIBLE HAUTE PRE.	6.389-856.0	1
2	O-RING KPL./1ST.-R. / GASKET / BAQUE D'ETANCHEITE	6.363-116.0	1
3	ERSATZTEILSET / SPARE PARTS KIT / KIT DE PIECES	2.880-296.0	1

"=> xxxxxx" = bis Werknummer / up to serial No. / jusqu' au No. de fabr. / "xxxxxx =>" = ab Werknummer / from serial No. / a partir du No. de fabr. /



Symbolbeschreibung siehe M16 / symbol description see M16 / désignation de système voir M16 /

GRUPPE: 10.3 STRAHLROHR / VERSION 1 /
GROUP: 10.3 JET PIPE / VERSION 1 /
GROUPE: 10.3 LANCE D'INCENDIE / VERSION 1 /

G10

HDS 995

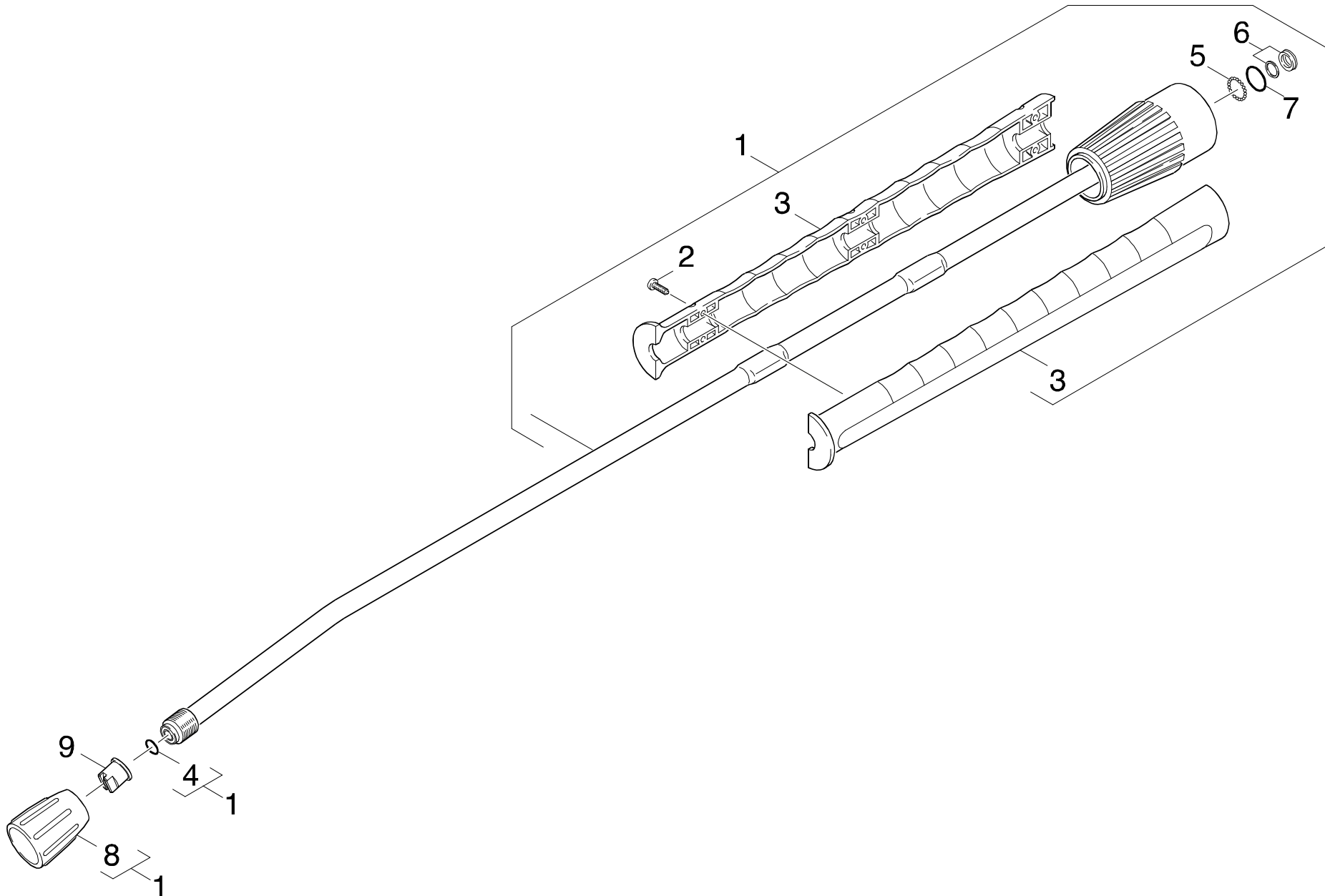
POS. ITM. POS.	BENNENUNG DESCRIPTION DESIGNATION	TEILE-NR. PART-NO. NO.PIECE	STCK QTY. NBR.
1	NUTRING KPL.1ST.R. / GROOVED RING / JOINT A LEVRES	6.362-532.0	1
2	O-RING 17,0 X 1,5 / GASKET / BAQUE D'ETANCHEITE	6.362-524.0	1
3	KUGEL 4,0 KL3 / BALL / BOULE	7.401-921.0	12
4	DICHTRING 12X1,5 / JOINT RING / BAGUE D'ETANCHEITE	6.362-529.0	1
5	LINSENSCHR. 4,2X16 / OVAL HEAD SCREW / VIS A TETE BOMBEE	6.303-025.0	2
6	GRIFF / HANDLE / POIGNEE	5.321-150.0	2
7	ERSATZTEILSET / SPARE PARTS KIT / KIT DE PIECES	2.880-296.0	1
9	VERSCHRAUBUNGSTEIL / SCREW UNION PART / PIECE (RACCORD A VIS)	5.401-210.0	1
10	POWERDUESE 25054 / POWER NOZZLE / BUSE	5.765-029.0	1
11	STRAHLROHR KPL. / JET PIPE / LANCE D'INCENDIE	4.760-550.0	1
12	GRIFFPAAR / HANDLES / BRANCHES POIGNEE	5.321-691.0	1
13	O-RINGSET / GASKET SET / JUE DE BAGUES D'ENTCHEITE	2.880-154.0	1

"=> xxxxxx" = bis Werknummer / up to serial No. / jusqu' au No. de fabr. / "xxxxxx =>" = ab Werknummer / from serial No. / a partir du No. de fabr. /

GRUPPE: 10.4 STRAHLROHR / VERSION 2 /
GROUP: 10.4 JET PIPE / VERSION 2 /
GRUPPE: 10.4 LANCE D'INCENDIE / VERSION 2 /

H10

HDS 995



Symbolbeschreibung siehe M16 / symbol description see M16 / désignation de système voir M16 /

GRUPPE: 10.4STRAHLROHR / VERSION 2 /
GROUP: 10.4JET PIPE / VERSION 2 /
GRUPPE: 10.4LANCE D'INCENDIE / VERSION 2 /

I10

HDS 995

POS. ITM. POS.	BENNENUNG DESCRIPTION DESIGNATION	TEILE-NR. PART-NO. NO.PIECE	STCK QTY. NBR.
1	STRAHLROHR KPL. / JET PIPE / LANCE D'INCENDIE	4.760-550.0	1
2	SCHRAUBE 4 X 16 / SCREW / VIS	7.303-129.0	6
3	GRIFFPaar / HANDLES / BRANCHES POIGNEE	5.321-691.0	1
4	ERSATZTEILSET / SPARE PARTS KIT / KIT DE PIECES	2.880-296.0	1
5	KUGEL 2,5 G40 / BALL / BOULE	7.401-915.0	20
6	NUTRING KPL.1ST.R. / GROOVED RING / JOINT A LEVRES	6.362-532.0	1
7	O-RING 17,0 X 1,5 / GASKET / BAQUE D'ETANCHEITE	6.362-524.0	1
8	VERSCHRAUBUNGSTEIL / SCREW UNION PART / PIECE (RACCORD A VIS)	5.401-210.0	1
9	POWERDUESE 25054 / POWER NOZZLE / BUSE	2.883-927.0	1

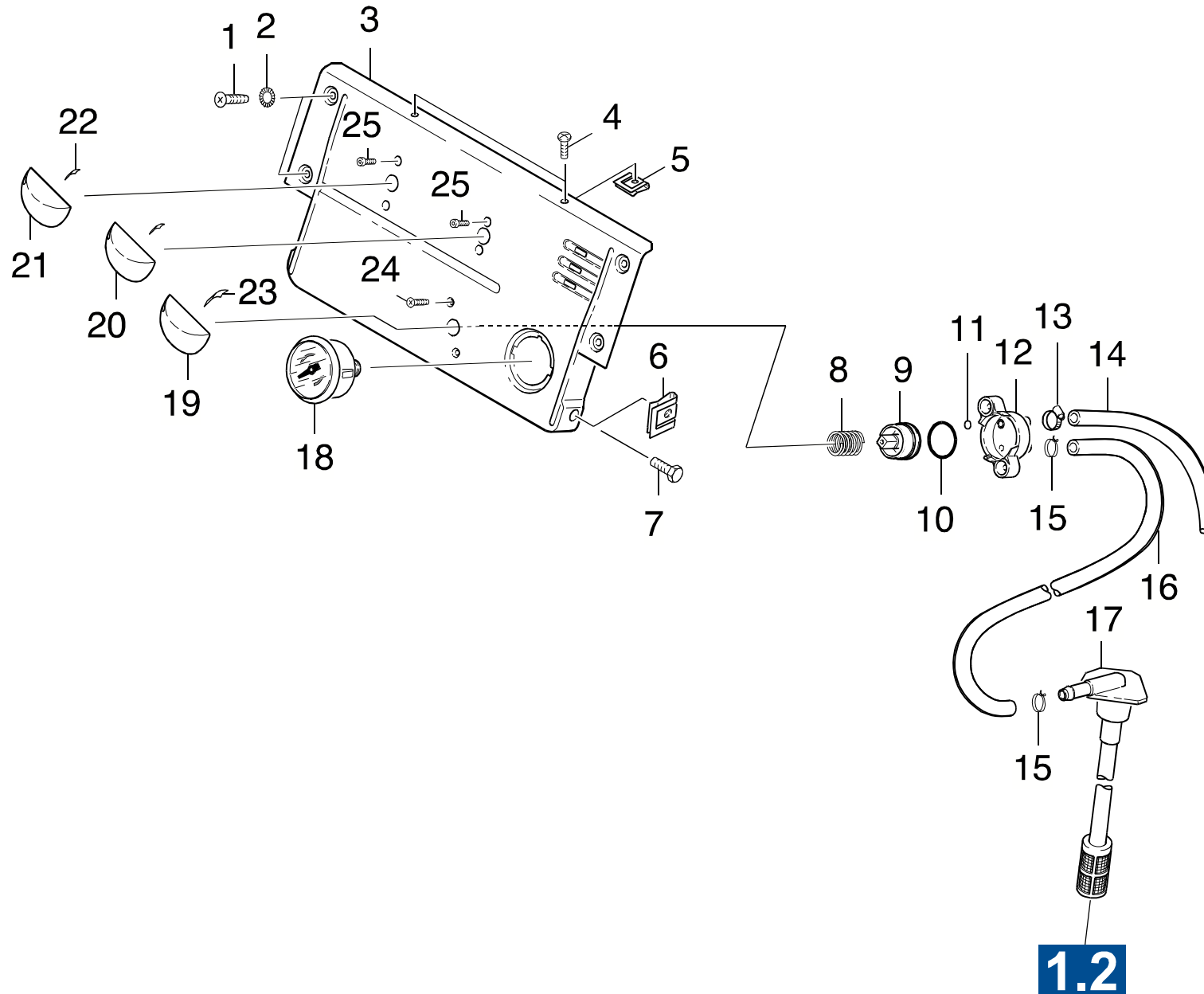
"=> xxxxxx" = bis Werknummer / up to serial No. / jusqu' au No. de fabr. / "xxxxxx =>" = ab Werknummer / from serial No. / a partir du No. de fabr. /

GRUPPE: 11.0INSTRUMENTENTAFEL
GROUP: 11.0CONTROL PANEL
GRUPPE: 11.0TABLEAU DE BORD

A11

HDS 995

GRUPPE: 11.0INSTRUMENTENTAFEL
GROUP: 11.0CONTROL PANEL
GRUPPE: 11.0TABLEAU DE BORD



Symbolbeschreibung siehe M16 / symbol description see M16 / désignation de système voir M16 /

GRUPPE: 11.0 INSTRUMENTENTAFEL
GROUP: 11.0 CONTROL PANEL
GROUPE: 11.0 TABLEAU DE BORD

C11

HDS 995

POS. ITM. POS.	BENNENUNG DESCRIPTION DESIGNATION	TEILE-NR. PART-NO. NO.PIECE	STCK QTY. NBR.
1	SCHRAUBE M 5X 12 / SCREW / VIS	7.303-038.0	4
2	ZAHNSCHEIBE A 5,3 / LOCK WASHER / ROUE PLATE	7.312-172.0	4
3	INSTRUMENTENTAFEL / CONTROL PANEL / TABLEAU DE BORD	5.841-272.0	1
4	BL.SCHR. ST4,8X19 / SHEET METAL SCREW / VIS A TOLE	7.303-078.0	2
5	BLECHMUTTER / NUT / ECROU	6.310-034.0	2
6	STECKMUTTER M6 / NUT / ECROU	6.310-082.0	2
7	6KT-SCHR. M 6X 12 / HEXAGONAL HEAD SCREW / VIS HEXAGONAL	7.304-382.0	2
8	SCHRAUBENFEDER / HELICAL SPRING / RESSORT CYLINDRIQUE	5.332-028.0	1
9	VENTILSITZ / VALVE SEAT / SIEGE DE SOUPAPE	5.581-039.0	1
10	O-RING 25,3 X 2,4 / GASKET / BAQUE D'ETANCHEITE	6.362-712.0	1
11	O-RING 5 X 1,5 / GASKET / BAQUE D'ETANCHEITE	6.362-386.0	1
12	VENTILGEHAEUSE / VALVE HOUSING / CORPS DE SOUPAPE	5.587-054.0	1
13	SCHLAUCHSCHELLE / HOSE BAND CLIP / COLLIER DE SERRAGE	6.388-515.0	1
14	SCHLAUCH DN 7 / HOSE / TUYAU FLEXIBLE ALS METERWARE BESTELLEN/TO ORDER AS CUT GOODS/COMMANDE COMME MARCHANDISE AU METRE	6.388-194.0	1
15	SCHLAUCHSCHELLE / HOSE BAND CLIP / COLLIER DE SERRAGE	6.388-559.0	2
16	SCHLAUCH DN 7 / HOSE / TUYAU FLEXIBLE ALS METERWARE BESTELLEN/TO ORDER AS CUT GOODS/COMMANDE COMME MARCHANDISE AU METRE	6.388-225.0	1
17	FILTER / FILTER / FILTRE	6.414-028.0	1
18	MANOMETER 0-315 BAR / PRESSURE GAUGE / MANOMETRE	6.421-170.0	1
19	GRIFF / HANDLE / POIGNEE	5.321-379.0	1
20	GRIFF / HANDLE / POIGNEE	5.321-378.0	1
21	GRIFF / HANDLE / POIGNEE	5.321-377.0	1
22	KLEMMFEDER / SPRING / RESSORT DE FRICTION	6.313-014.0	2
23	BLATTFEDER / PLATE SPRING / RESSORT A LAMES	5.337-021.0	1
24	SENKSCHR. M 4X 12 / FLAT HEADED SCREW / VIS A TETE CONIQUE	7.305-255.0	2
25	SCHRAUBE M 4X 6 / SCREW / VIS	7.306-236.0	4

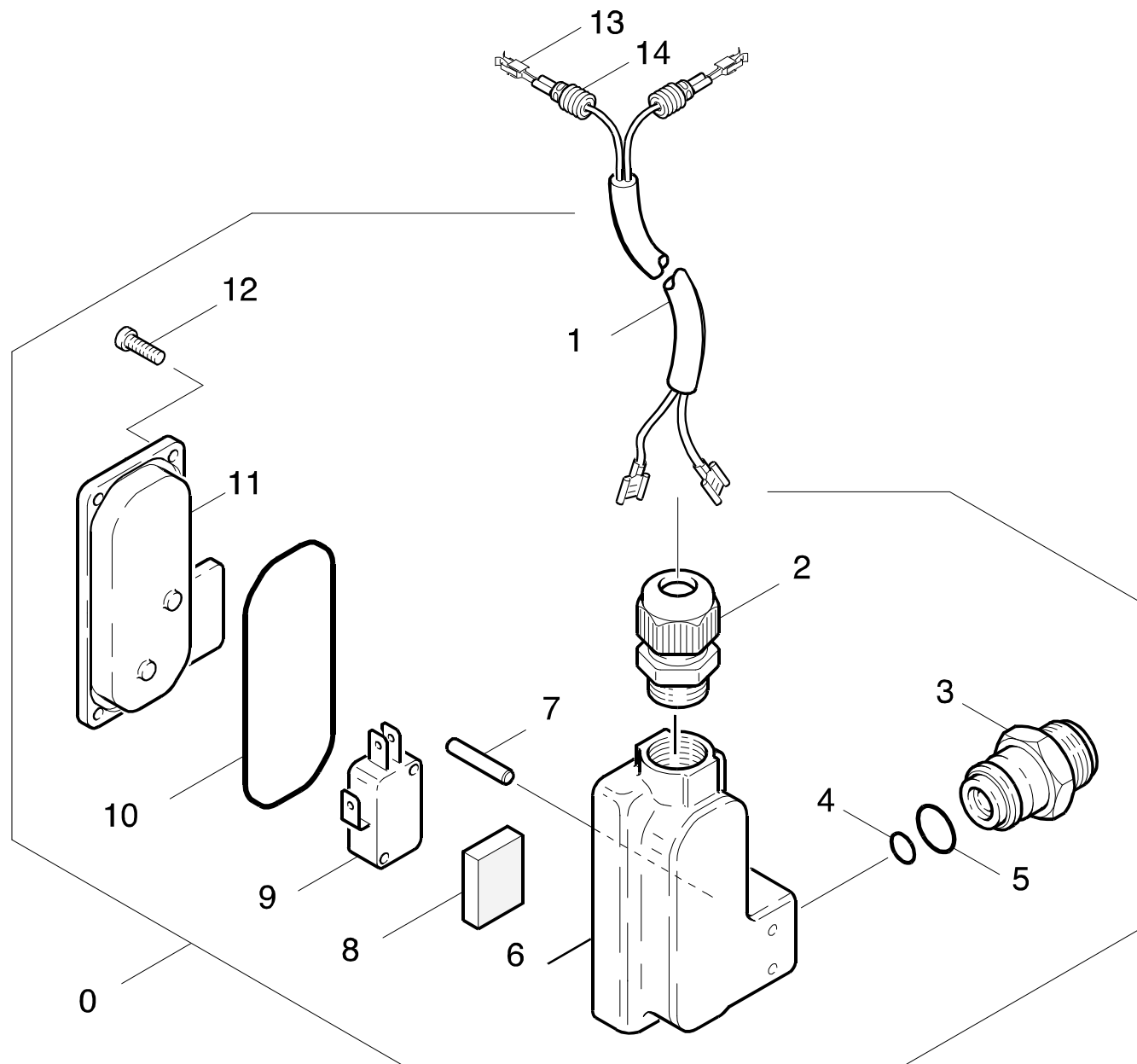
"=> xxxxxx" = bis Werknummer / up to serial No. / jusqu' au No. de fabr. / "xxxxxx =>" = ab Werknummer / from serial No. / a partir du No. de fabr. /

GRUPPE: 12.0DRUCKSCHALTER
GROUP: 12.0PRESSURE SWITCH
GRUPPE: 12.0PRESSOTAT

A12

HDS 995

GRUPPE: 12.0DRUCKSCHALTER
GROUP: 12.0PRESSURE SWITCH
GRUPPE: 12.0PRESSOTAT



Symbolbeschreibung siehe M16 / symbol description see M16 / désignation de système voir M16 /

GRUPPE: 12.0DRUCKSCHALTER
GROUP: 12.0PRESSURE SWITCH
GROUPE: 12.0PRESSOTAT

C12

HDS 995

POS. ITM. POS.	BENNENUNG DESCRIPTION DESIGNATION	TEILE-NR. PART-NO. NO.PIECE	STCK QTY. NBR.
0	DRUCKSCHALTER / PRESSURE SWITCH / PRESSOTAT / => 40448	4.747-055.0	1
1	KABEL / CABLE / CABLE	6.647-227.0	1
2	KABELVERSCHR. PG 9 / CABLE CONNECTOR / RACCORD DE CABLES	6.641-355.0	1
3	6KT-MUTTER / HEXAGON NUT / ECROU HEXAGONAL	5.311-167.0	1
4	O-RING 5,28X 1,78 / GASKET / BAQUE D'ETANCHEITE	6.362-175.0	1
5	O-RING 13,3 X 2,4 / GASKET / BAQUE D'ETANCHEITE	6.362-078.0	1
6	GEHAEUSE / HOUSING / BOITIER	5.060-367.0	1
7	ZYL.KERBSTI. 4,0X20 / GROOVED PIN / GOUPILLE CAN.	7.314-630.0	2
8	ZELLGUMMIBAND / CELL. RUBBER BAND / RUBAN CAOUT.	5.365-156.0	1
9	MIKROSCHALTER / MICRO SWITCH / MICRORUPTEUR	6.631-571.0	1
10	O-RING / GASKET / BAQUE D'ETANCHEITE	6.362-691.0	1
11	DECKEL / COVER / COUVERCLE	5.063-412.0	1
12	LINSENSCHR. 2,9X 13 / OVAL HEAD SCREW / VIS A TETE BOMBEE	6.303-058.0	4
13	KONTAKT / CONTACT / CONTACT	6.647-234.0	2
14	EINZELADERABDICHT. / SEAL / ETOUPAGE	6.647-235.0	2

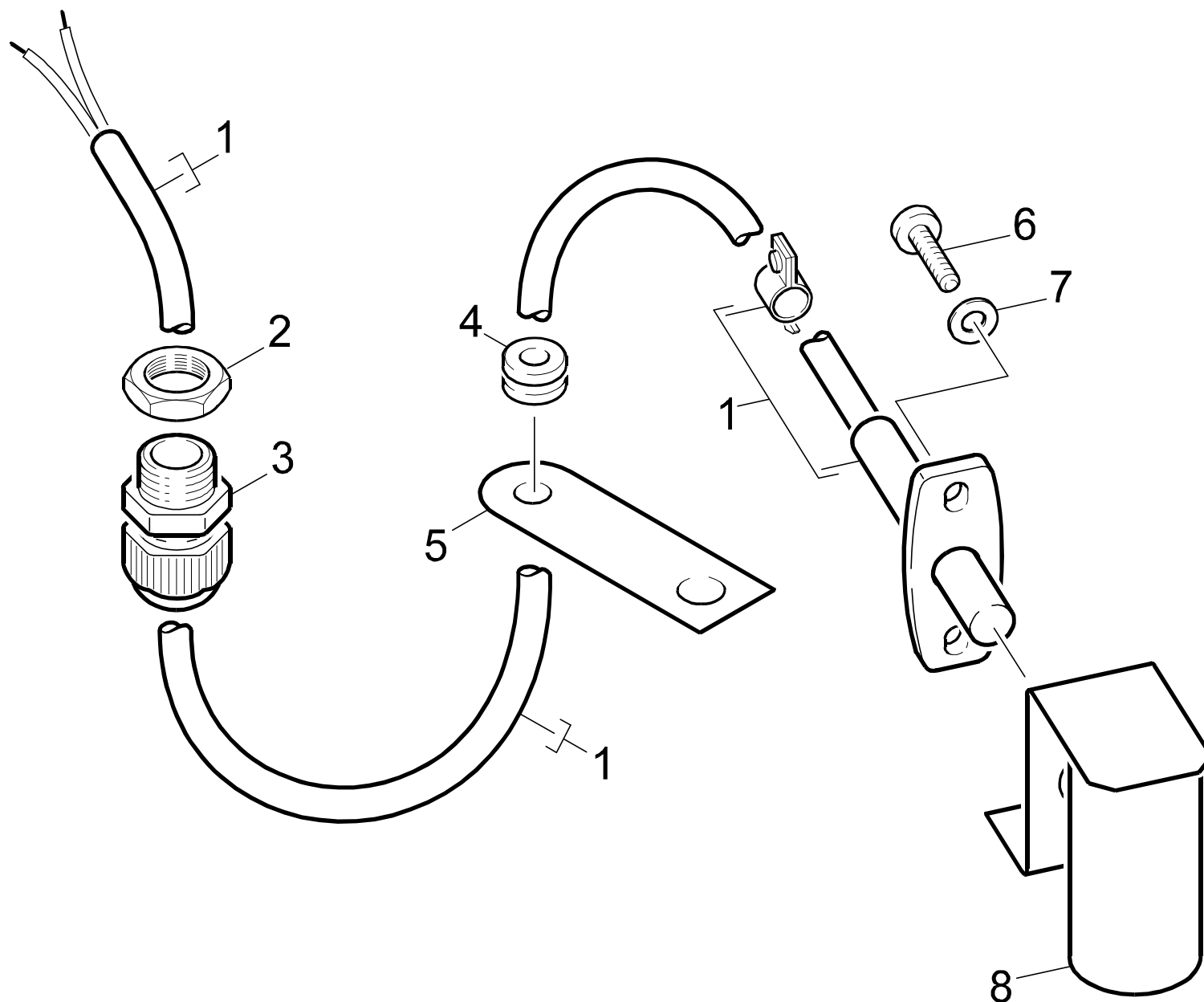
"=> xxxxxx" = bis Werknummer / up to serial No. / jusqu' au No. de fabr. / "xxxxxx =>" = ab Werknummer / from serial No. / a partir du No. de fabr. /

GRUPPE: 13.0FLAMMUEBERWACHUNG / (1.027-861) /
GROUP: 13.0FLAME GUARD / (1.027-861) /
GROUPE: 13.0CONTROLEUR DE FLAMME / (1.027-861) /

A13

HDS 995

GRUPPE: 13.0FLAMMUEBERWACHUNG
GROUP: 13.0FLAME GUARD
GROUPE: 13.0CONTROLEUR DE FLAMME



Symbolbeschreibung siehe M16 / symbol description see M16 / désignation de système voir M16 /

GRUPPE: 13.0 FLAMMUEBERWACHUNG / (1.027-861) /
GROUP: 13.0 FLAME GUARD / (1.027-861) /
GRUPPE: 13.0 CONTROLEUR DE FLAMME / (1.027-861) /

C13

HDS 995

POS.	BENNENUNG	TEILE-NR.	STCK
ITM.	DESCRIPTION	PART-NO.	QTY.
POS.	DESIGNATION	NO.PIECE	NBR.
1	LICHTFUEHLER / LIGHT PROBE / CELLULE PHOTOELECTRIQUE	6.664-030.0	1
2	GEGENMUTTER PG 7 / COUNTERNUT / CONTRE-ECROU	6.641-756.0	1
3	KABELVERSCHR. PG 7 / CABLE CONNECTOR / RACCORD DE CABLES	6.641-278.0	1
4	DURCHFUEHR.TUELLE / BUSH / DOUILLE DE TRAVERSEE	6.641-638.0	1
5	HALTER / BRACKET / FIXATION	5.042-833.0	1
6	SCHRAUBE M 4X 16 / SCREW / VIS	7.303-033.0	2
7	SCHEIBE 4 / WASHER / RONDELLE	7.312-001.0	2
8	HALTER / BRACKET / FIXATION	4.043-246.0	1

"=> xxxxxx" = bis Werknummer / up to serial No. / jusqu' au No. de fabr. / "xxxxxx =>" = ab Werknummer / from serial No. / a partir du No. de fabr. /

Bestellhinweis

Bei Ihrer Bestellung sind unbedingt anzugeben :

1.	2.	3.	4.	5.
Gerätetyp Machine model Type d'appareils	Herstell-Nr. Serial-No. No. de série	Benennung Description Désignation	Teile-Nr. Part No. Référence	Stückzahl Piece No. Quantité



**siehe Typenschild
see name-plate
voir plaque signalétique**



**siehe Ersatzteilliste
see spare parts list
voir liste des pièces de rechange**

- Die Ersatzteile, welche als Meterware geliefert werden, sind auf Einbaulänge selbst zu kürzen. Ebenso sind die Stückzahlen in den jeweiligen Gruppen als Mindestbestellmengen = 1m angegeben und können je nach Bedarf auf weitere volle Meterzahlen erhöht und bestellt werden.
- Spare Parts which are delivered as cut goods have to be shortened to installation length. The quotation of quantity in each group refers to the minimum order quantity = 1m and may be ordered and raised to further full metre-values according to demand
- Les pièces de rechange qui sont livrées comme marchandise au mètre sont à raccourcir selon la longueur d'installation. Les indications de quantité dans chaque group se réfèrent à des valeurs de mètre de plus.
- Diese Ersatzteilliste erscheint in gedruckter Form sowie als Mikrofiche. Bei Querverweisen bezieht sich die Angabe "Seitenzahl" auf die gedruckte Ersatzteilliste und die Angabe "Bildtafel" auf die Mikrofilmausgabe.
- This spare parts list is published both in printed form and as a microfiche. In the cross-references, "page number" refers to the printed spare parts list and "display table" to the microfilm edition.
- Cette liste de pièces de rechange est aussi bien imprimée que publiée sous forme de microfiche. Les indications transversales renvoient au "numéro de page" sur la liste imprimée des pièces de rechange et à la "planche" sur la microfiche.

Bitte beachten Sie, daß der Teileumfang dieser Ersatzteilliste nicht unbedingt dem Lieferumfang Ihres Geräte entspricht.

For your information: It could be that certain parts quoted in this spare parts list were not included with the machine delivery.

Pour votre information: il se peut que certaines pièces détachées mentionnées sur la liste ne vous aient pas été livrées avec l'appareil.

Die in dieser Ersatzteilliste nicht aufgeführten Einzelteile, bestellen Sie bitte direkt beim Vertragskundendienst des jeweiligen Herstellers.

Please order the individual parts not included in this assembly directly with the contract aftersales service of the manufacturer in question.

Veillez s'il vous plaît, commander les pièces détachées qui ne sont indiquées dans notre liste des pièces détachées, directement auprès du service après-vente des fabricants en question.

Bei Bestellung von lackierten Teilen, welche in der Ersatzteilliste nicht in verschiedenen Farben ausgewiesen sind, ist zusätzlich die Farbnummer oder Farbe mit anzugeben. Diese finden Sie auf dem Typenschild oder Farbschild Ihres Gerätes.

Upon ordering of varnished parts which are not mentioned in the spare parts list as parts with different colors, kindly additionally mention the number of the color. It can be seen on the type plate of the color plate of your machine.

Commandant des parts vernissés qui ne sont pas mentionnés comme parts avec une couleur différente dans la liste des pièces détachées, veuillez mentionner de plus le numéro de la couleur. Il se trouve sur la plaque signalétique ou la plaque de couleur de votre machine.

Auflistungen von Einzelteilen bei Ersatzteil - u. Pumpensets sind in der Reihe "16" einzusehen, bzw. direkt unter dem entsprechenden Set aufgelistet.

Listings of single parts upon spare parts kits and pump kits can be seen in row "16" or directly listed below the corresponding kit.
Des établissements des pièces détachées en ce qui concerne les kits des pièces de rechange et les kits de pompes, peuvent être vus à la ligne "16" ou ils sont répertoriés directement au-dessous du jeu correspondant.

Technische Änderungen im Rahmen der Weiterentwicklung sowie das Recht der ausschließlichen Auswertung unseres geistigen Eigentums behalten wir uns vor. Vervielfältigung und Nachdruck nur mit Genehmigung und Urheberhinweis möglich.

We reserve the right to make technical changes in the course of development work and the right to make exclusive use of our intellectual property. This spare parts list may be duplicated or reprinted only with our approval and with acknowledgement of our copyright.

Nous nous réservons le droit de toutes modifications techniques dans le cadre du perfectionnement des mises au point ainsi que le droit de la mise en valeur exclusive de notre propriété intellectuelle. Polycopie et reproduction exclusivement après accord et avec mention de l'auteur.

INDEX

M16

HDS 995

GRUPPE: 1.0 EINZELTEILE GROUP: 1.0 PIECE PARTS GRUPPE: 1.0 PIECES CONSTITUANTES	A1-G1	GRUPPE: 9.0 SICHERHEITSBLOCK GROUP: 9.0 SAFETY SYSTEM GRUPPE: 9.0 BLOC DE SECURITE	A9-C9
GRUPPE: 2.0 PUMPENSATZ GROUP: 2.0 PUMP SET GRUPPE: 2.0 JEU (ENSEMBLE) DE POMPE	A2-G2	GRUPPE: 10.0 ZUBEHOER GROUP: 10.0 ACCESSORIES GRUPPE: 10.0 ACCESSOIRES	A10-I10
GRUPPE: 3.0 MOTOR GROUP: 3.0 MOTOR GRUPPE: 3.0 MOTEUR	A3-C3	GRUPPE: 11.0 INSTRUMENTENTAFEL GROUP: 11.0 CONTROL PANEL GRUPPE: 11.0 TABLEAU DE BORD	A11-C11
GRUPPE: 4.0 GEBLAESE GROUP: 4.0 BLOWER GRUPPE: 4.0 VENTILATEUR	A4-C4	GRUPPE: 12.0 DRUCKSCHALTER GROUP: 12.0 PRESSURE SWITCH GRUPPE: 12.0 PRESSOTAT	A12-C12
GRUPPE: 5.0 BRENNSTOFFPUMPE GROUP: 5.0 FUEL PUMP GRUPPE: 5.0 POMPE DE COMBUSTIBLE	A5-E5	GRUPPE: 13.0 FLAMMUEBERWACHUNG GROUP: 13.0 FLAME GUARD GRUPPE: 13.0 CONTROLEUR DE FLAMME	A13-C13
GRUPPE: 6.0 E-GERAETESCHRANK GROUP: 6.0 ELECTRIC CONTROL BOX GRUPPE: 6.0 COFFRET ELECTRIQUE	A6-E6		
GRUPPE: 7.0 DURCHLAUFERHITZER GROUP: 7.0 FLOW HEATER GRUPPE: 7.0 CHAUFFE-EAU RAPIDE	A7-E7		
GRUPPE: 8.0 SCHWIMMERKASTEN GROUP: 8.0 FLOAT CHEST GRUPPE: 8.0 BOITE DU FLOTTEUR	A8-E8		



BEISPIEL: VERSION 1
EXAMPLE: VERSION 1
EXEMPLE: VERSION 1

3.0

BEISPIEL: SIEHE IN GRUPPE 3
EXAMPLE: SEE IN GROUP 3
EXEMPLE: VOIR EN GROUPE 3



WICHTIGER HINWEIS
IMPORTANT REMARK
REMARCAQUAGE IMPORTANT

BESTELLHINWEIS SIEHE M15
EXAMPLE ORDER SEE M15
EXEMPLE DE COMMANDE VOIR M15

VARIANTENÜBERSICHT SIEHE L16
VARIANTS SURVEY SEE L16
VUE D'ENSEMBLE DE VARIANTS VOIR L16