



Ersatzteilliste
Spare Parts List
Liste des pieces de rechange

- 1.170-601.0 HDS 558 C Eco**
- 1.170-604.0 HDS 558 C Eco**
- 1.170-611.0 HDS 558 C Eco**

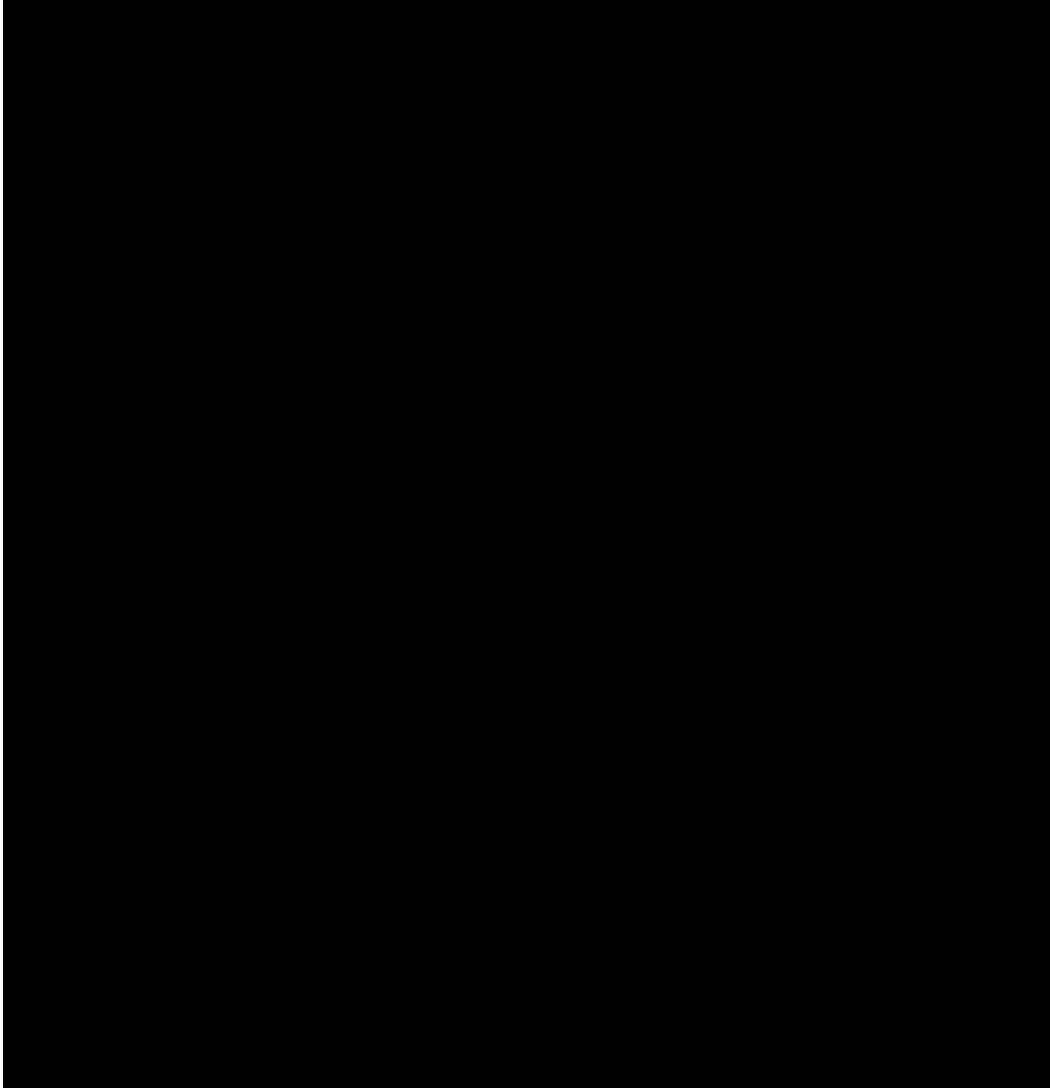
Ersatzteile unter www.gluensing.net

INHALTSVERZEICHNIS
CONTENT
CONTENT

- 10 PIECE PARTS
- 20 PUMP SET
- 30 MOTOR
- 40 BLOWER
- 50 FUEL PUMP
- 60 ELECTRIC CONTROL BOX
- 70FLOW HEATER
- 80 FLOAT CHEST
- 90 SAFETY SYSTEM
- 100 CHEMISTRY
- 110 ACCESSORIES
- 120 Flame guard

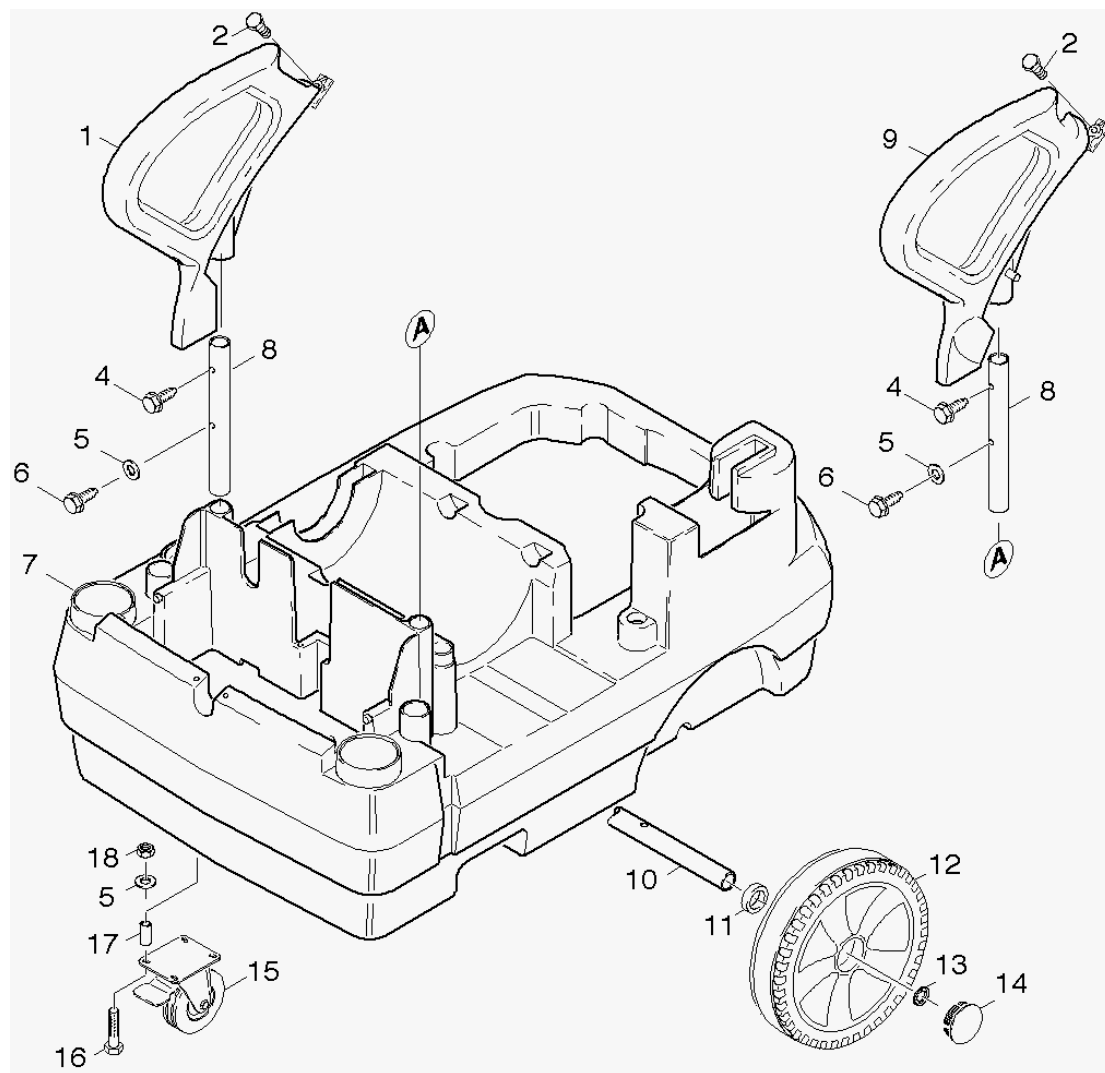
Ersatzteile unter www.gjuesing.net





11**Housing**

POS ITM. POS.	BENENNUNG DESCRIPTION DESIGNATION	TEILE-NR PART-NO NO. PIECE	STCK QTY. NBR	AB WERK-NR FROM SERIAL-NO TO SERIAL-NO	BIS WERK-NR
0001	Device cover complete	4.067-048.0	1		
0002	COIL SPRING	5.332-236.0	1		
0004	BOLT	5.316-318.0	1		
0005	BRACKET	5.044-216.0	1		
0006	BRACKET	5.044-196.0	2		
0007	BOLT	5.316-893.0	2		
0009	Control panel neutrally	5.841-474.0	1		
0010	SCREW 5X30	7.303-086.0	4		

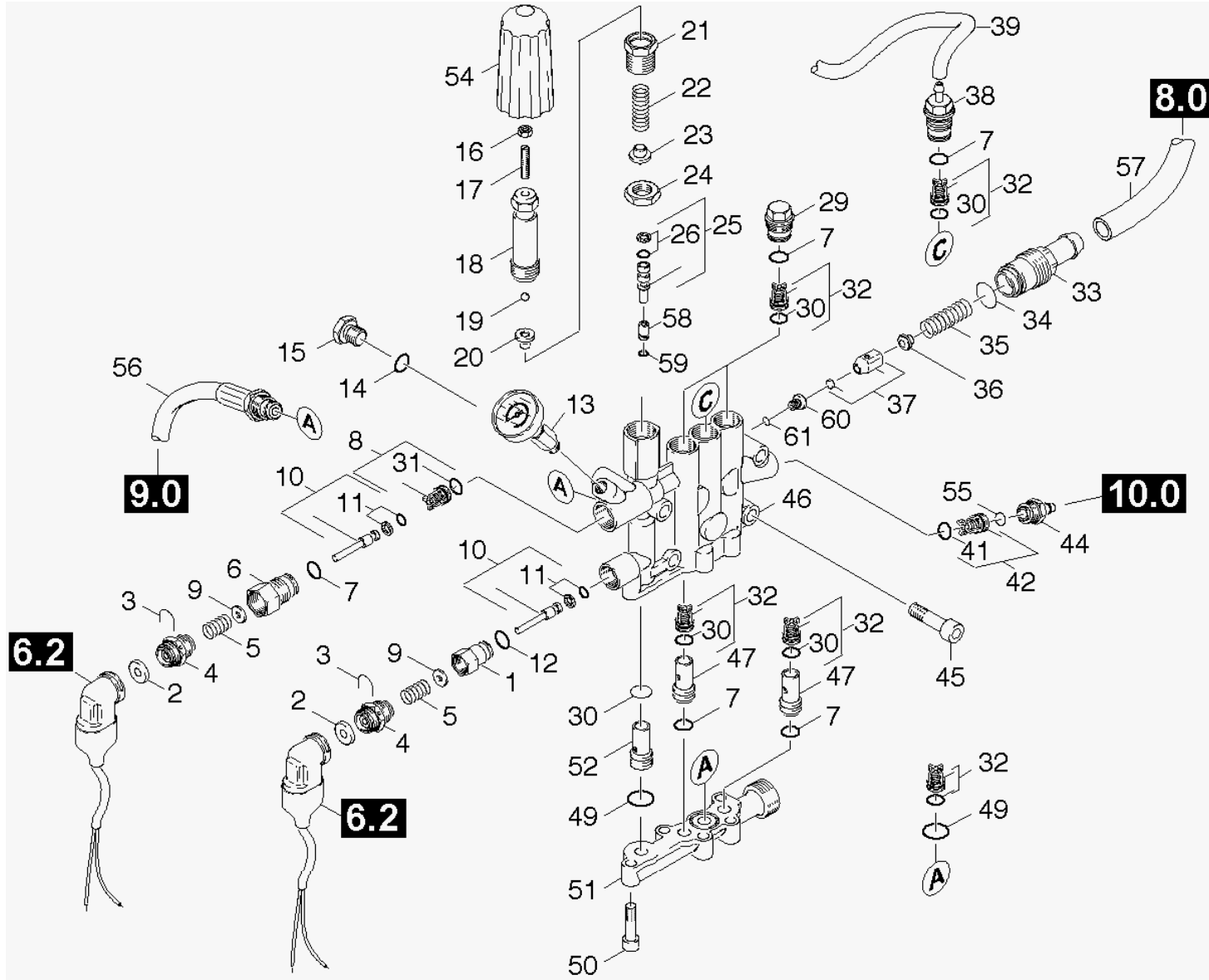


12**Frame**

POS ITM. POS.	BENENNUNG DESCRIPTION DESIGNATION	TEILE-NR PART-NO NO. PIECE	STCK QTY. NBR	AB WERK-NR FROM SERIAL-NO TO SERIAL-NO	BIS WERK-NR
0001	HANDLE LINKS	5.321-580.0	1		
0002	SCREW	7.303-114.0	2		
0004	SCREW	6.303-305.0	2		
0005	DISC	7.312-277.0	6		
0006	SCREW	6.303-191.0	2		
0007	CHASSIS	4.050-436.0	1		
0007	TANK CHASSIS	4.050-596.0	1		
0008	HANDLE	5.321-582.0	2		
0009	HANDLE	5.321-576.0	1		
0010	AXLE	5.105-298.0	1		
0011	SLEEVE	5.110-773.0	2		
0012	Wheel complete	4.515-254.0	2		
0013	CLAMP DISC	6.343-217.0	2		
0014	WHEEL CAB	5.392-038.0	2		
0015	CASTOR	6.435-116.0	1		
0016	SCREW	7.304-407.0	4		
0017	SLEEVE	5.110-778.0	4		
0018	NUT M8	7.311-004.0	4		

Ersatzteile unter www.gluesing.net





21 Cylinder head

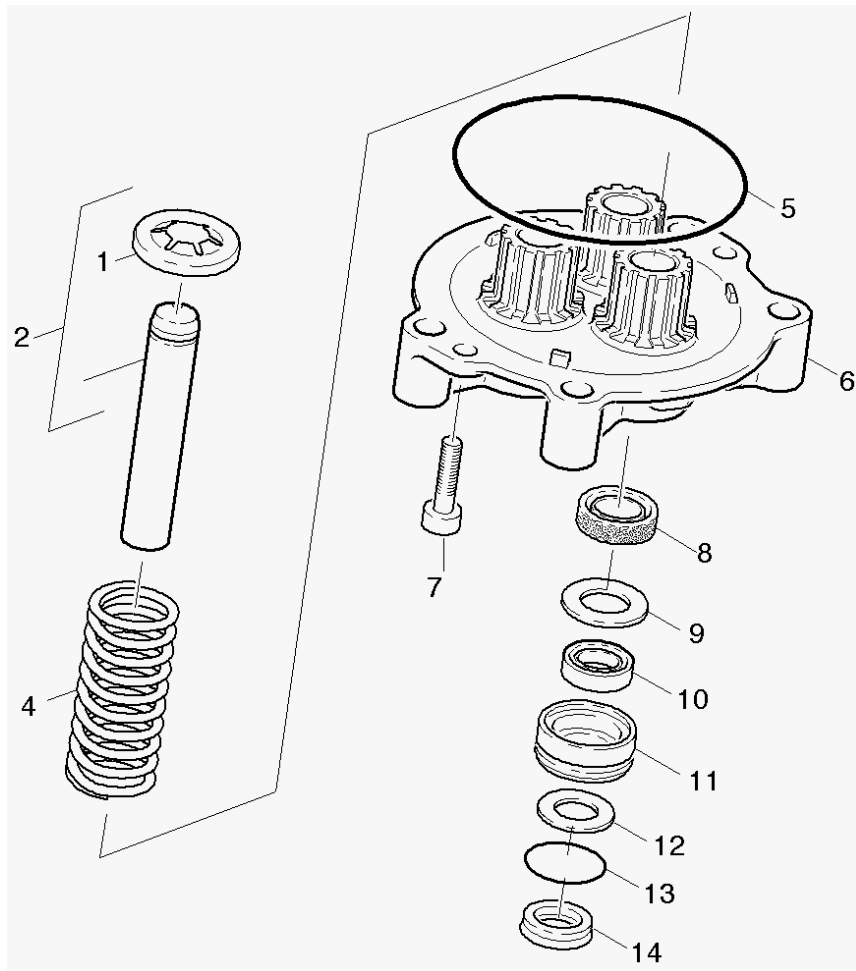
POS ITM. POS.	BENENNUNG DESCRIPTION DESIGNATION	TEILE-NR PART-NO NO. PIECE	STCK QTY. NBR	AB WERK-NR FROM SERIAL-NO TO SERIAL-NO	BIS WERK-NR
0001	CONNECTION PIECE	5.402-686.0	1		
0002	DIAPHRAGM	5.367-030.0	2		
0003	CLIP	5.034-494.0	2		
0004	CLOSING SCREW	5.411-148.0	2		
0005	HELICAL SPRING	5.332-268.0	2		
0006	VALVE SCREW	5.583-161.0	1		
0007	O-RING 14,2	6.362-481.0	6		
0008	VALVE	4.580-262.0	1		
0009	WASHER	5.115-796.0	2		
0010	PISTON	4.553-197.0	2		
0011	O RING	6.362-368.0	2		
0012	O RING 4.47X 1.78	6.362-853.0	1		
0013	PRESSURE GAUGE	6.421-215.0	1		
0014	ROUND CORD RING	6.362-101.0	1		
0015	SCREW PLUG	5.411-070.0	1		
0016	HEX NUT	7.311-002.0	1		
0017	THREADED PIN	7.307-009.0	1		
0018	HEXAGON	5.304-070.0	1		
0019	BALL	7.401-931.0	1		
0020	VALVE SPRING	5.582-121.0	1		
0021	HOLLOW SCREW	5.404-082.0	1		
0022	HELICAL SPRING	5.332-460.0	1		
0022	HELICAL SPRING	5.332-466.0	1		
0023	VALVE PIN	5.584-114.0	1		
0024	HEXAGON	5.311-204.0	1		
0025	PISTON KPL	4.553-198.0	1		
0026	O-RING COMPL	6.362-468.0	1		
0029	VALVE SCREW	5.583-146.0	2		
0030	GASKET	6.363-003.0	6		
0031	O RING	6.362-381.0	1		
0032	VALVE	4.580-329.0	6		
0033	VALVE SCREW	5.583-130.0	1		
0034	O RING 12.0 X 2.0	6.362-169.0	1		
0035	HELICAL SPRING	5.332-414.0	1		
0036	VALVE PIN	5.584-060.0	1		
0037	VALVE DISC	4.582-019.0	1		
0038	VENTILATION VALVE	4.580-376.0	1		
0039	HOSE	6.390-426.0	1		
0041	CORD RING	6.362-077.0	1		
0042	VALVE KOMPL	4.580-349.0	1		
0044	HOSE STEM	5.443-455.0	1		
0045	CHEESE HAED SCREW		7.306-106.0	4	

Ersatzteile unter www.gluesing.net

21

Cylinder head

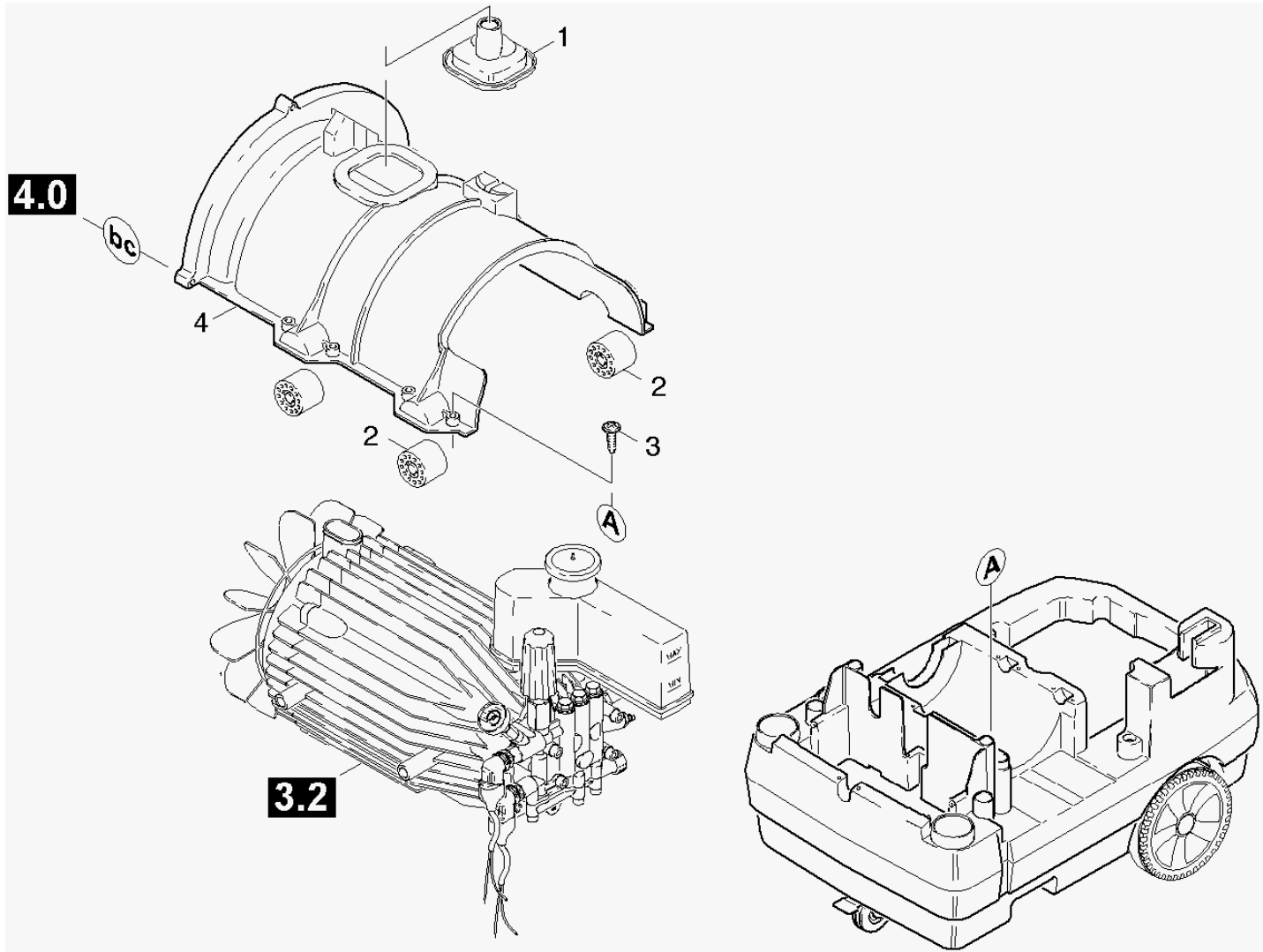
POS ITM. POS.	BENENNUNG DESCRIPTION DESIGNATION	TEILE-NR PART-NO NO. PIECE	STCK QTY. NBR	AB WERK-NR FROM SERIAL-NO TO SERIAL-NO	BIS WERK-NR
0046	CYLINDER HEAD	4.550-459.0	1		
0047	SLEEVE	5.110-608.0	2		
0049	O-RING	6.362-547.0	2		
0050	CHEESE HEAD SCREW	7.306-043.0	5		
0051	VALVE HOUSING	5.587-192.0	1		
0052	SLEEVE	5.110-815.0	1		
0054	HANDLE	5.321-579.0	1		
0055	O RING	6.362-151.0	1		
0056	HIGH PRESSURE HOSE DN 13	4.440-766.0	1		
0057	HOSE	6.388-167.0	1		
0058	VALVE SEAT	5.581-239.0	1		
0059	O RING	6.362-386.0	1		
0060	VALVE SEAT	5.581-231.0	1		
0061	O RING	6.362-703.0	1		
0100	PUMP SET	2.883-891.0	1		
0010	VALVE	4.580-262.0	1		
0020	VALVE	4.580-295.0	6		
0030	VALVE KOMPL	4.580-349.0	1		
0040	VALVE DISC	4.582-019.0	1		
0050	CLIP	5.034-494.0	2		
0060	WASHER	5.115-465.0	3		
0070	WASHER	5.115-744.0	3		
0080	WASHER	5.115-796.0	2		
0090	VALVE PIN	5.584-060.0	1		
0100	O RING	6.362-151.0	1		
0110	O RING 12.0 X 2.0	6.362-169.0	1		
0120	O RING	6.362-368.0	2		
0130	O RING 24.0 X 1.5	6.362-376.0	3		
0140	O-RING COMPL	6.362-468.0	1		



22**PUMP SET**

POS ITM. POS.	BENENNUNG DESCRIPTION DESIGNATION	TEILE-NR PART-NO NO. PIECE	STCK QTY. NBR	AB WERK-NR FROM SERIAL-NO TO SERIAL-NO	BIS WERK-NR
0001	SHAPED PART	5.030-625.0	3		
0002	HD650 PISTON	4.553-181.0	3		
0004	SPRING	5.332-427.0	3		
0005	GASKET	6.362-768.0	1		
0006	PISTON GUIDE	5.060-677.0	1		
0007	SCREW	7.303-047.0	2		
0008	U AND V RING	6.365-340.0	3		
0009	WASHER	5.115-744.0	3		
0010	SEAL	6.365-438.0	3		
0011	BUSH	5.112-576.0	3		
0012	WASHER	5.115-465.0	3		
0013	O RING 24.0 X 1.5	6.362-376.0	3		
0014	GROOVED RING	6.365-432.0	3		



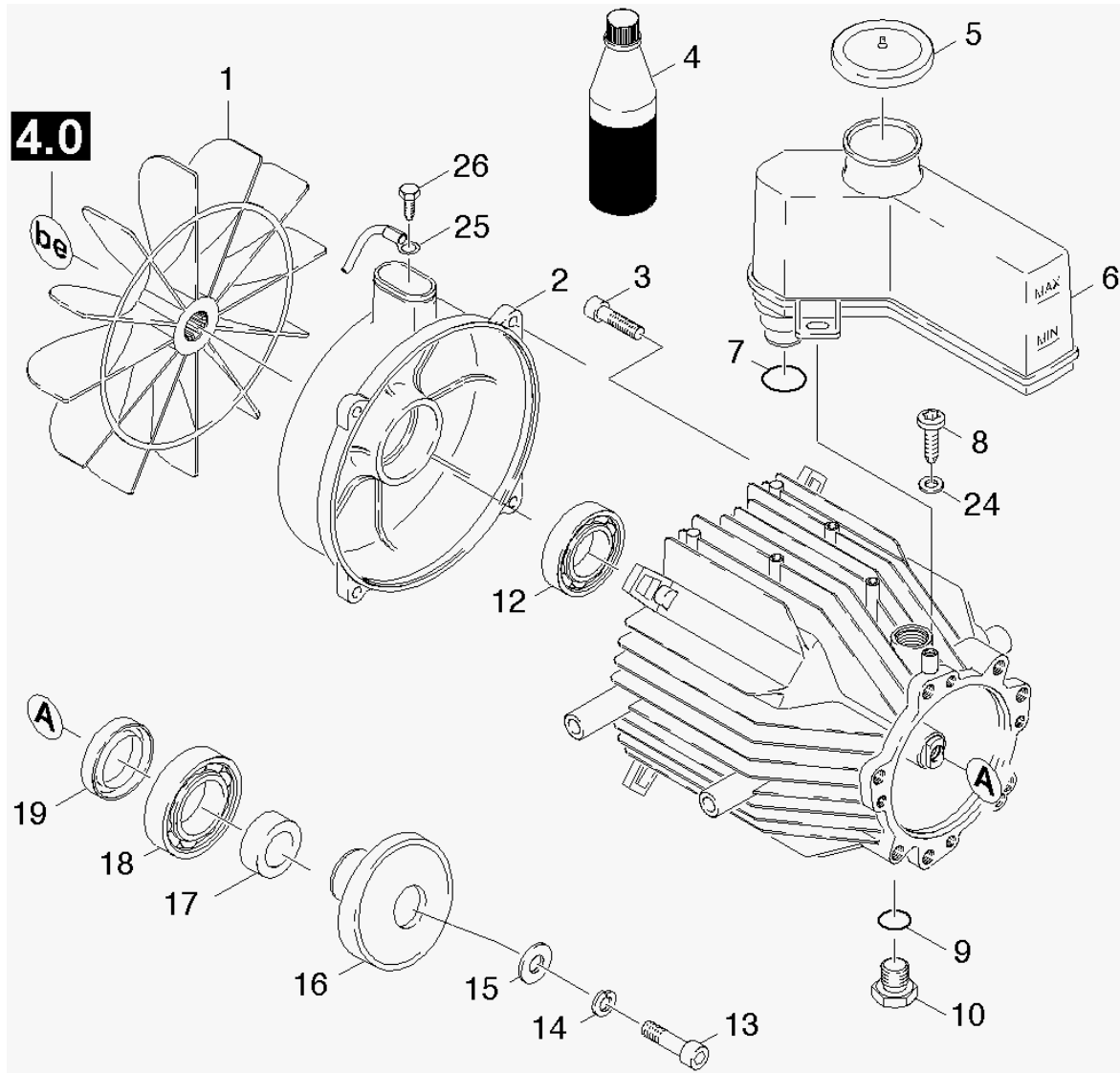


31

Bracket motor

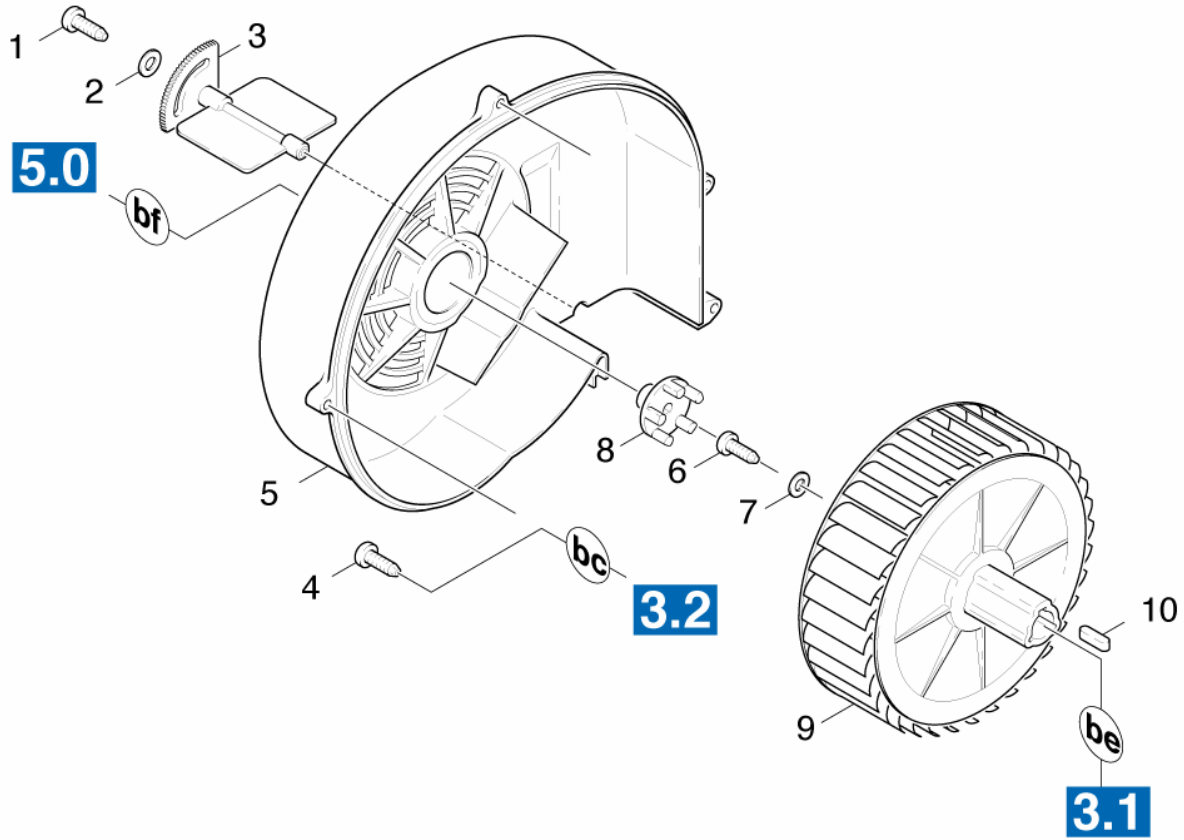
POS ITM. POS.	BENENNUNG DESCRIPTION DESIGNATION	TEILE-NR PART-NO NO. PIECE	STCK QTY. NBR	AB WERK-NR FROM SERIAL-NO TO SERIAL-NO	BIS WERK-NR
0001	CABLE GLAND	5.810-016.0	1		
0002	RUBBER BUFFER	5.767-005.0	4		
0003	SCREW	7.303-109.0	8		
0004	AIR CIRCULATION	5.060-728.0	1		

Ersatzteile unter www.gluesing.net



32**MOTOR**

POS ITM. POS.	BENENNUNG DESCRIPTION DESIGNATION	TEILE-NR PART-NO NO. PIECE	STCK QTY. NBR	AB WERK-NR FROM SERIAL-NO TO SERIAL-NO	BIS WERK-NR
0	MOTOR	4.623-416.0	1		
0	MOTOR KPL.	4.623-419.0	1		
0	MOTOR	4.623-427.0	1		
1	BLOWER WHEEL	5.600-059.0	1		
2	BEARING COVER	5.093-041.0	1		
3	SCREW M 5X 20	7.303-041.0	4		
4	OIL 1 LITRE	6.288-050.0	1		
5	COVER	5.063-389.0	1		
6	OIL TANK	5.070-521.0	1		
7	O RING	6.362-161.0	1		
8	SCREW	7.303-038.0	1		
9	GASKET 11 X 2	6.363-273.0	1		
10	CLOSING SCREW	5.411-100.0	1		
12	BALL BEARING	6.401-331.0	1		
13	SCREW	7.306-042.0	1		
14	SPRING WASHER	7.313-004.0	1		
15	DISC	7.312-277.0	1		
16	SWASH PLATE	6.401-294.0	1		
17	BUSH	5.112-586.0	1		
18	BALL BEARING	6.401-332.0	1		
19	ROTARY SHAFT SEAL	6.367-047.0	1		
24	DISC	7.312-003.0	1		
25	CABLE 1,5X 450 -GG	4.820-578.0	1		
26	SCREW	7.303-031.0	1		



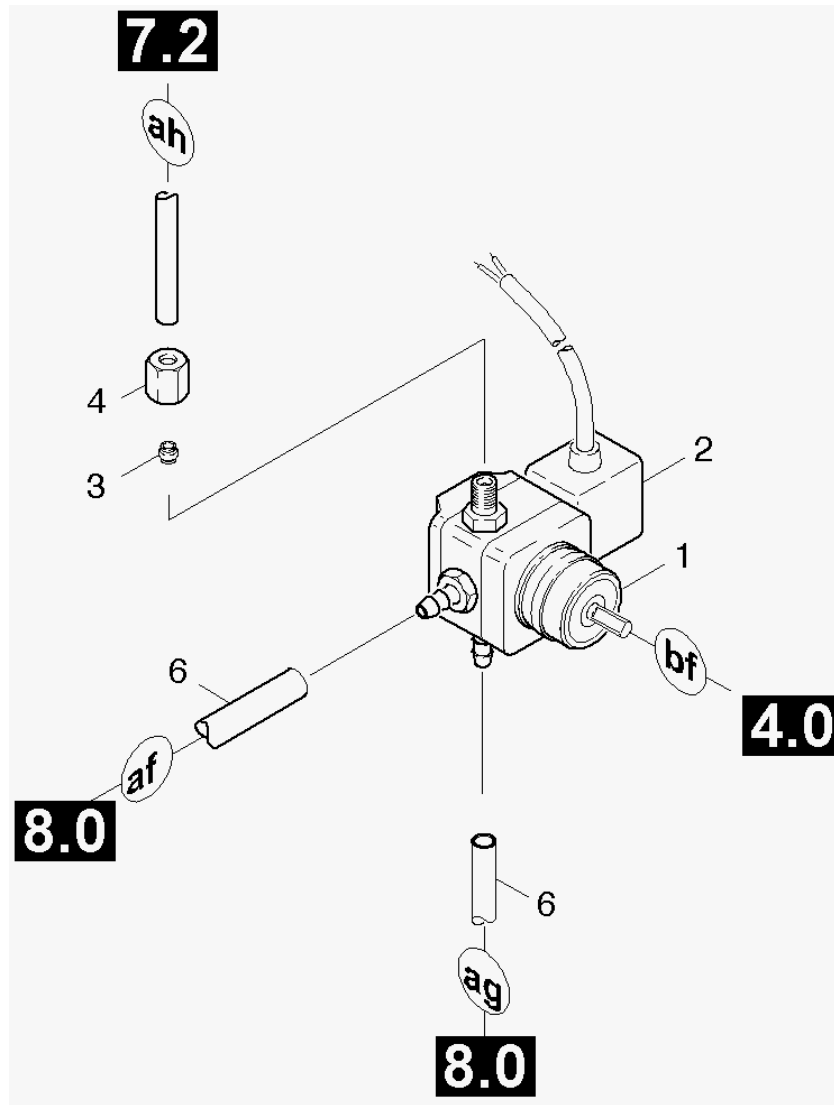
40

BLOWER

POS ITM. POS.	BENENNUNG DESCRIPTION DESIGNATION	TEILE-NR PART-NO NO. PIECE	STCK QTY. NBR	AB WERK-NR FROM SERIAL-NO TO SERIAL-NO	BIS WERK-NR
1	SHEET METAL SCREW	7.303-077.0	1		
2	DISK	7.312-278.0	1		
3	AIR FLAP	5.606-007.0	1		
4	SCREW	7.303-084.0	4		
5	COVER	5.063-826.0	1		
6	SCREW	6.304-145.0	1		
7	DISC	7.312-276.0	1		
8	COUPLER	5.471-097.0	1		
9	BLOWER WHEEL	5.600-062.0	1		
10	SPRING	7.318-005.0	1		

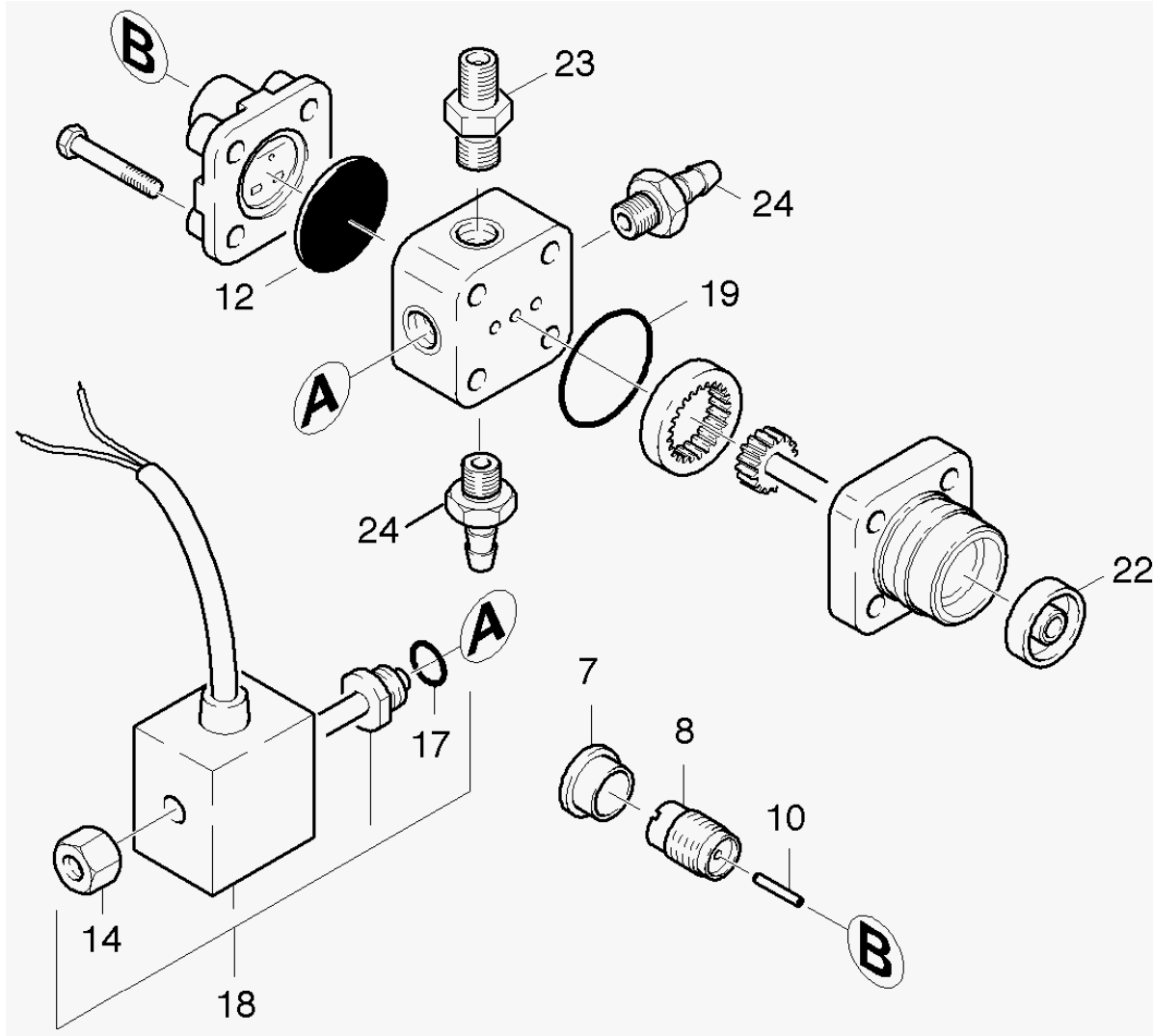
Ersatzteile unter www.gluesing.net





51**Pipeline fuel**

POS ITM. POS.	BENENNUNG DESCRIPTION DESIGNATION	TEILE-NR PART-NO NO. PIECE	STCK QTY. NBR	AB WERK-NR FROM SERIAL-NO TO SERIAL-NO	BIS WERK-NR
1	FUEL PUMP	6.472-992.0	1		
2	SOLENOID VALVE	6.472-411.0	1		
3	CUTTING RING	6.389-263.0	1		
4	NUT	6.389-262.0	1		
6	HOSE	6.389-534.0	1		

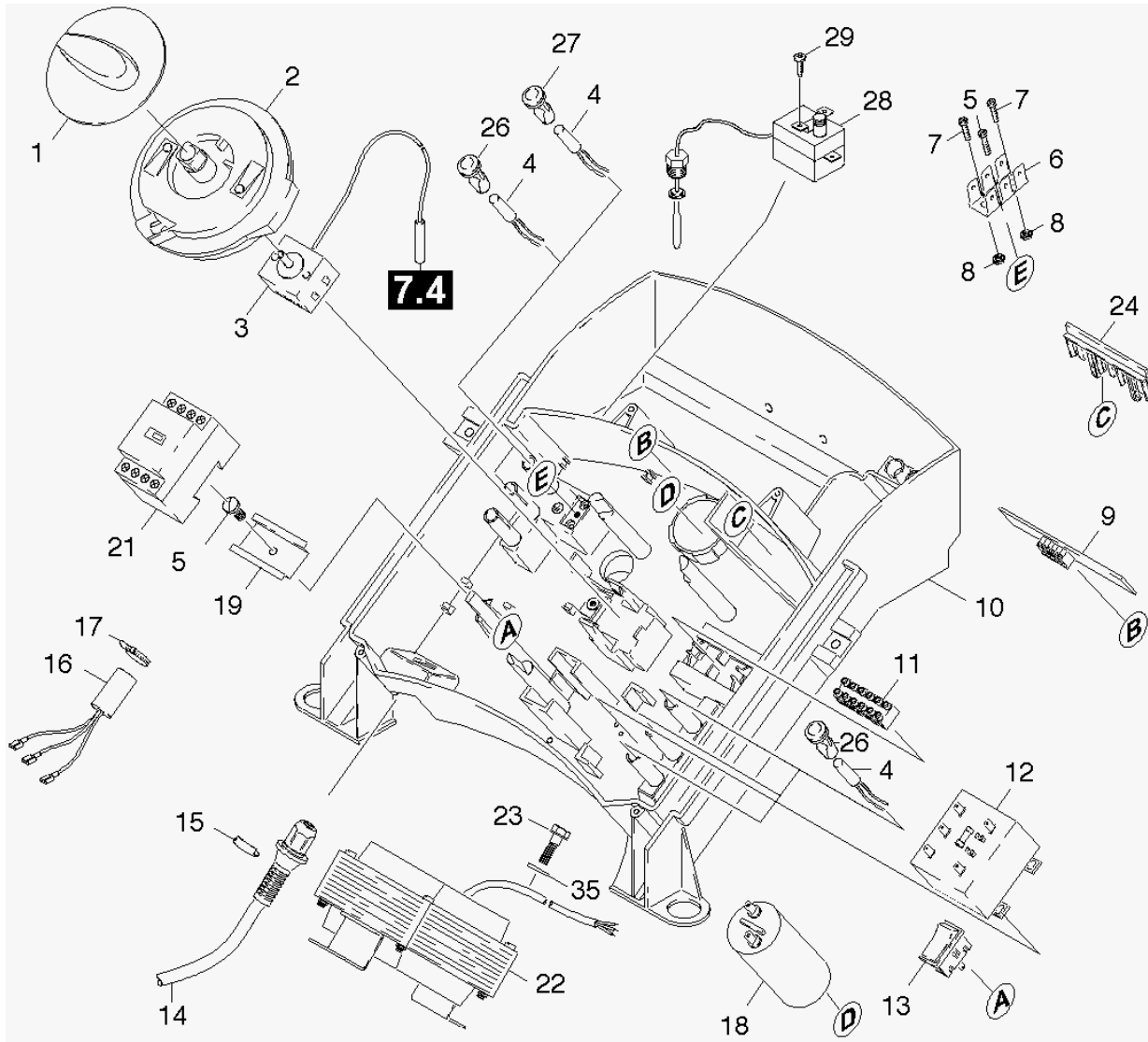


52**FUEL PUMP**

POS ITM. POS.	BENENNUNG DESCRIPTION DESIGNATION	TEILE-NR PART-NO NO. PIECE	STCK QTY. NBR	AB WERK-NR FROM SERIAL-NO TO SERIAL-NO	BIS WERK-NR
7	CAPS	6.472-122.0	1		
8	SPRING HOUSING	6.472-109.0	1		
10	PIN	6.472-108.0	1		
12	DIAPHRAGM	6.472-128.0	1		
14	KNURLED NUT	6.472-340.0	1		
17	O-RING	6.472-125.0	1		
18	SOLENOID VALVE	6.472-411.0	1		
19	O RING	6.472-120.0	1		
22	AXLE GASKET	6.472-105.0	1		
23	SCREW UNION	6.389-261.0	1		
24	HOSE STEM	6.472-927.0	2		

Ersatzteile unter www.gluesing.net

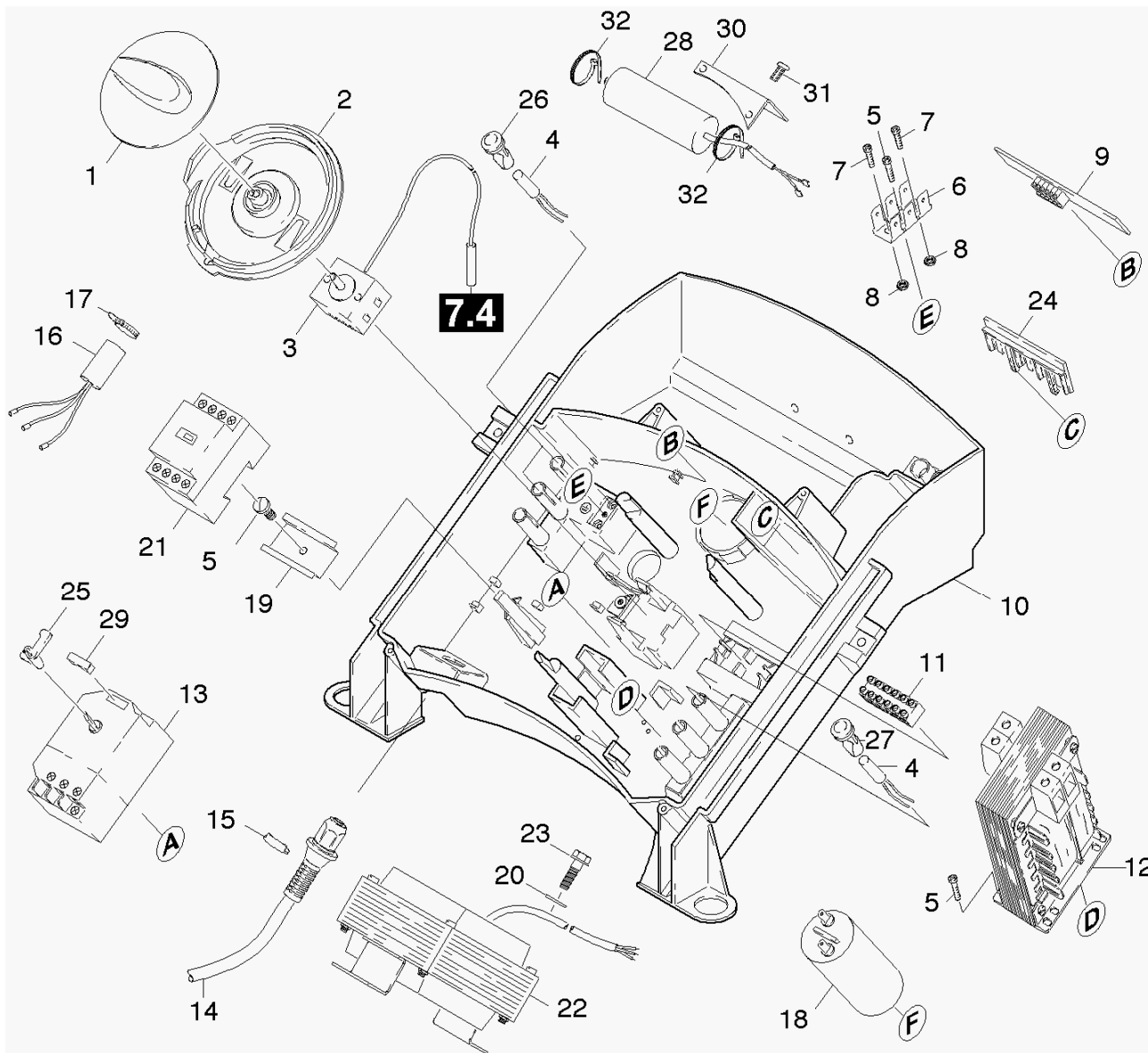




61 ELECTRIC CONTROL BOX

// 1.170-601.0 / -604.0

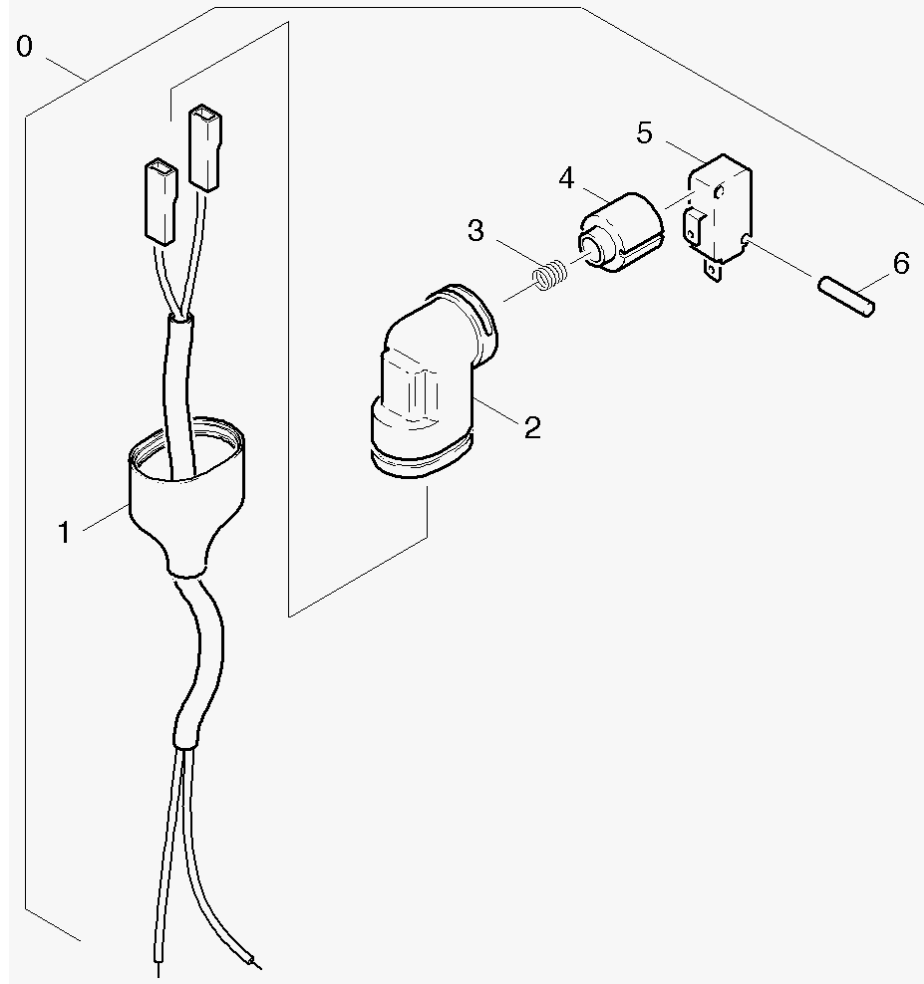
POS ITM. POS.	BENENNUNG DESCRIPTION DESIGNATION	TEILE-NR PART-NO NO. PIECE	STCK QTY. NBR	AB WERK-NR FROM SERIAL-NO TO SERIAL-NO	BIS WERK-NR
1	HANDLE	5.321-577.0	1		
2	WASHER	5.115-844.0	1		
3	THERMOSTAT	2.882-574.0	1		
4	Pilot lamp	6.651-275.0	5		
5	SCREW	7.303-026.0	2		
6	PLUG	6.641-270.0	1		
7	CHEESE HEAD SCREW	6.304-031.0	2		
8	HEX NUT	7.311-001.0	2		
9	PULSE GENERATOR	6.633-372.0	1		
10	Mounting plate	5.801-138.0	1		
11	STRIP TERMINAL	6.643-249.0	1		
12	TRANSFORMER 230V	6.622-242.0	1		
13	ROCKER SWITCH	6.630-118.0	1		
14	CABLE	6.647-251.0	1		
14	CABLE & PLUG	6.647-275.0	1		
15	CLIP	6.343-170.0	1		
16	INTERFERENCE SUPPRESSO	6.661-217.0	1		
17	CABLE TIE	6.641-458.0	1		
18	CAPACITOR	6.661-158.0	1		
19	MOUNTING PART	5.802-261.0	1		
21	CONTACTOR	6.632-311.0	1		
22	IGNITION TRANSFORMER	6.622-166.0	1		
23	HEXAGONAL HEAD SCREW 5 X 20	6.303-309.0	1		
24	CLAMP	5.030-954.0	1		
26	HOUSING ROT	6.651-316.0	4		
27	HOUSING	6.651-421.0	1		
28	Temperature limiter	6.686-377.0	1		
29	SCREW	7.306-056.0	2		



62**ELECTRIC CONTROL BOX**

// 1.170-611.0

POS ITM. POS.	BENENNUNG DESCRIPTION DESIGNATION	TEILE-NR PART-NO NO. PIECE	STCK QTY. NBR	AB WERK-NR FROM SERIAL-NO TO SERIAL-NO	BIS WERK-NR
1	HANDLE	5.321-577.0	1		
2	WASHER	5.115-798.0	1		
3	THERMOSTAT	2.882-574.0	1		
4	Pilot lamp	6.651-275.0	3		
5	SCREW	7.303-026.0	3		
6	PLUG	6.641-270.0	1		
7	CHEESE HEAD SCREW	6.304-031.0	2		
8	HEX NUT	7.311-001.0	2		
9	PULSE GENERATOR	6.633-372.0	1		
10	ASSEMBLY PLATE	5.801-136.0	1		
11	STRIP TERMINAL	6.643-249.0	1		
12	TRANSFORMER	6.622-064.0	1		
13	SWITCH	6.631-242.0	1		
14	CABLE	6.647-537.0	1		
15	CLIP	6.343-170.0	1		
16	INTERFERENCE FILTER	4.828-008.0	1		
17	CABLE TIE	6.641-458.0	1		
18	CAPACITOR 60MF	6.661-136.0	1		
19	MOUNTING PART	5.802-261.0	1		
20	WASHER	7.312-264.0	1		
21	CONTACTOR	6.632-312.0	1		
22	TRANSFORMER	6.622-178.0	1		
23	HEXAGONAL HEAD SCREW 5 X 20	6.303-309.0	1		
24	CLAMP	5.030-954.0	1		
25	LEVER	5.481-257.0	1		
26	HOUSING ROT	6.651-316.0	2		
27	HOUSING	6.651-421.0	1		
28	CAPACITOR	6.661-201.0	1		
29	CAP	6.630-049.0	1		
30	BRACKET	5.762-234.0	1		
31	SCREW	7.303-048.0	2		
32	CABLE TIE	6.647-081.0	2		



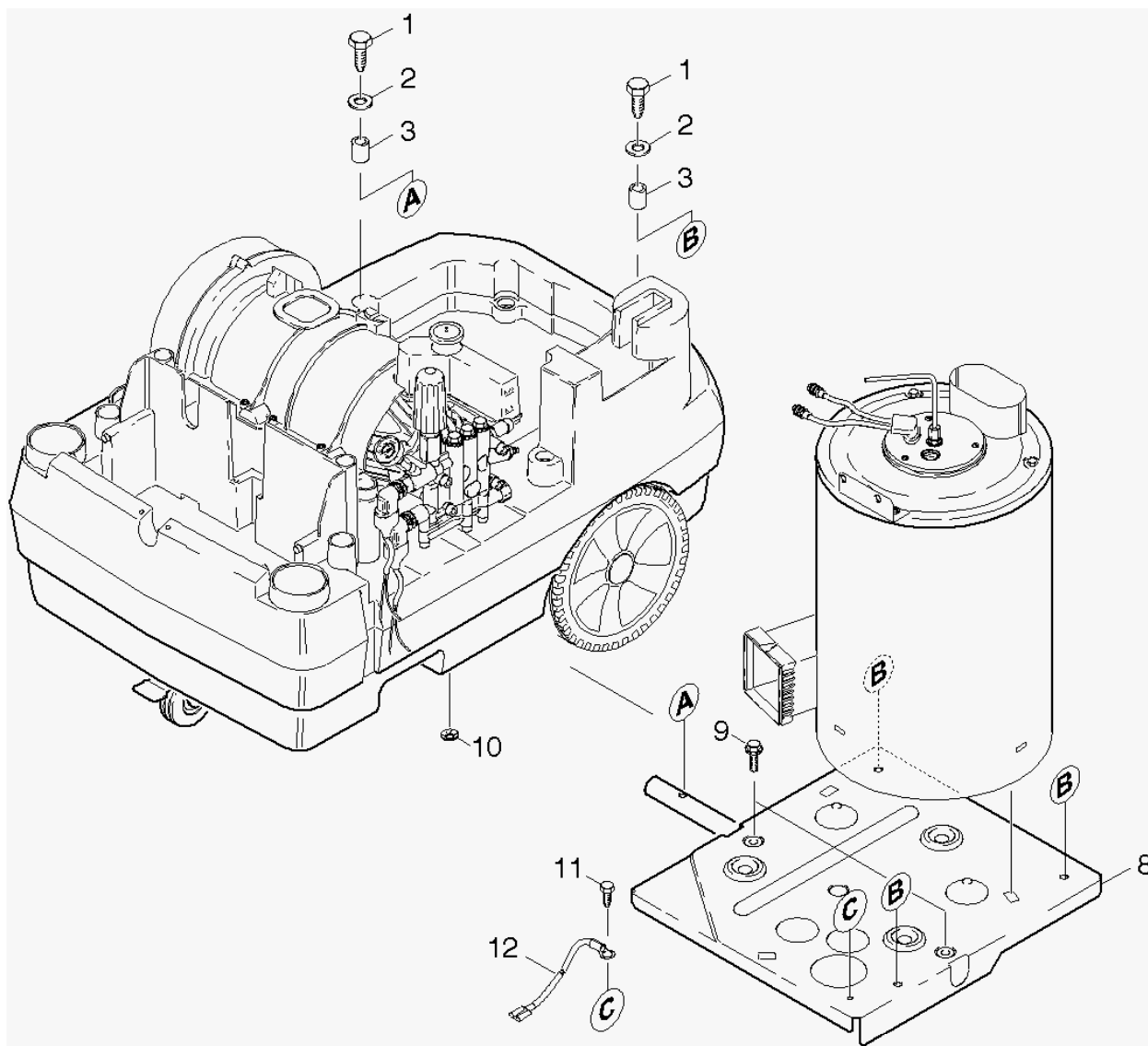
63

Switch

POS ITM. POS.	BENENNUNG DESCRIPTION DESIGNATION	TEILE-NR PART-NO NO. PIECE	STCK QTY. NBR	AB WERK-NR FROM SERIAL-NO TO SERIAL-NO	BIS WERK-NR
0	SWITCH	4.744-109.0	1		
1	TRAILING CABLE	6.647-818.0	1		
2	HOUSING	5.042-860.0	1		
3	SPRING	5.332-322.0	1		
4	BRACKET	5.053-051.0	1		
5	SWITCH	6.631-807.0	1		
6	GROOVED PIN	7.314-664.0	1		

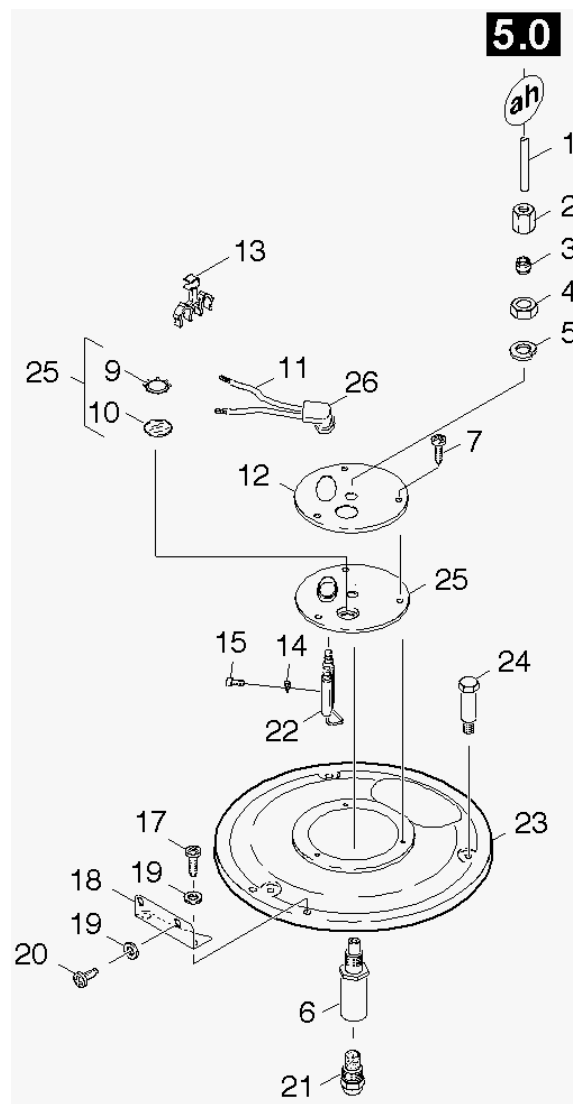
Ersatzteile unter www.gjuesing.net





71**Mounting part**

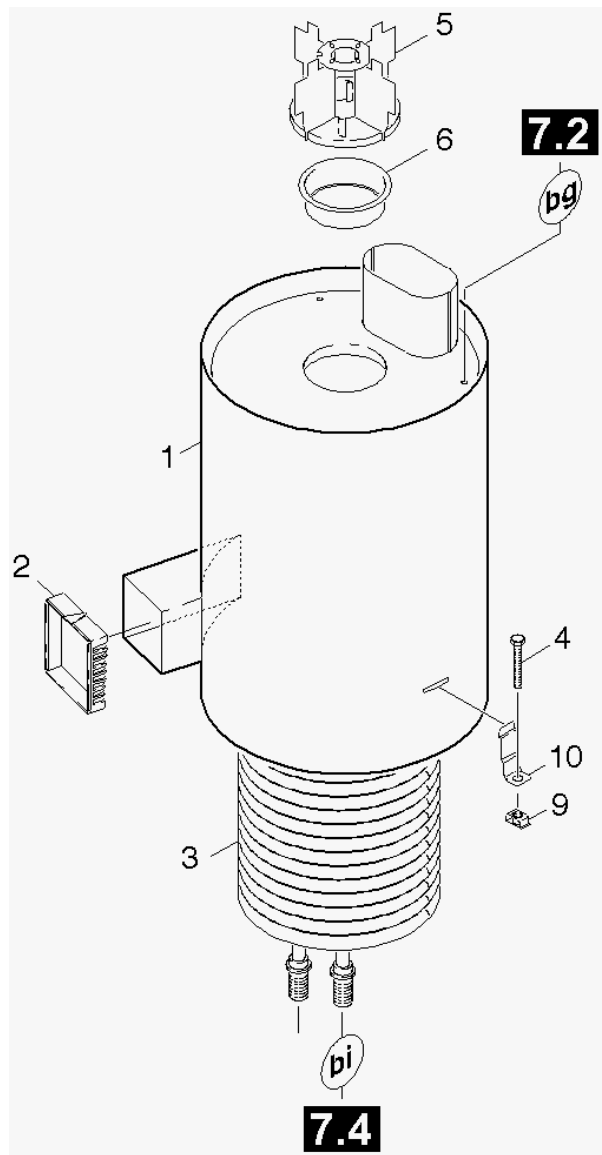
POS ITM. POS.	BENENNUNG DESCRIPTION DESIGNATION	TEILE-NR PART-NO NO. PIECE	STCK QTY. NBR	AB WERK-NR FROM SERIAL-NO TO SERIAL-NO	BIS WERK-NR
1	SCREW	6.303-191.0	4		
2	DISC	7.312-277.0	4		
3	SLEEVE	5.110-760.0	4		
8	FRAME	5.050-111.0	1		
9	SCREW	6.303-031.0	2		
10	LOCK WASHER	6.343-161.0	1		
11	SCREW M 5X 10	7.303-037.0	1		
12	CABLE 1,5X830-GG	4.822-102.0	1		



72

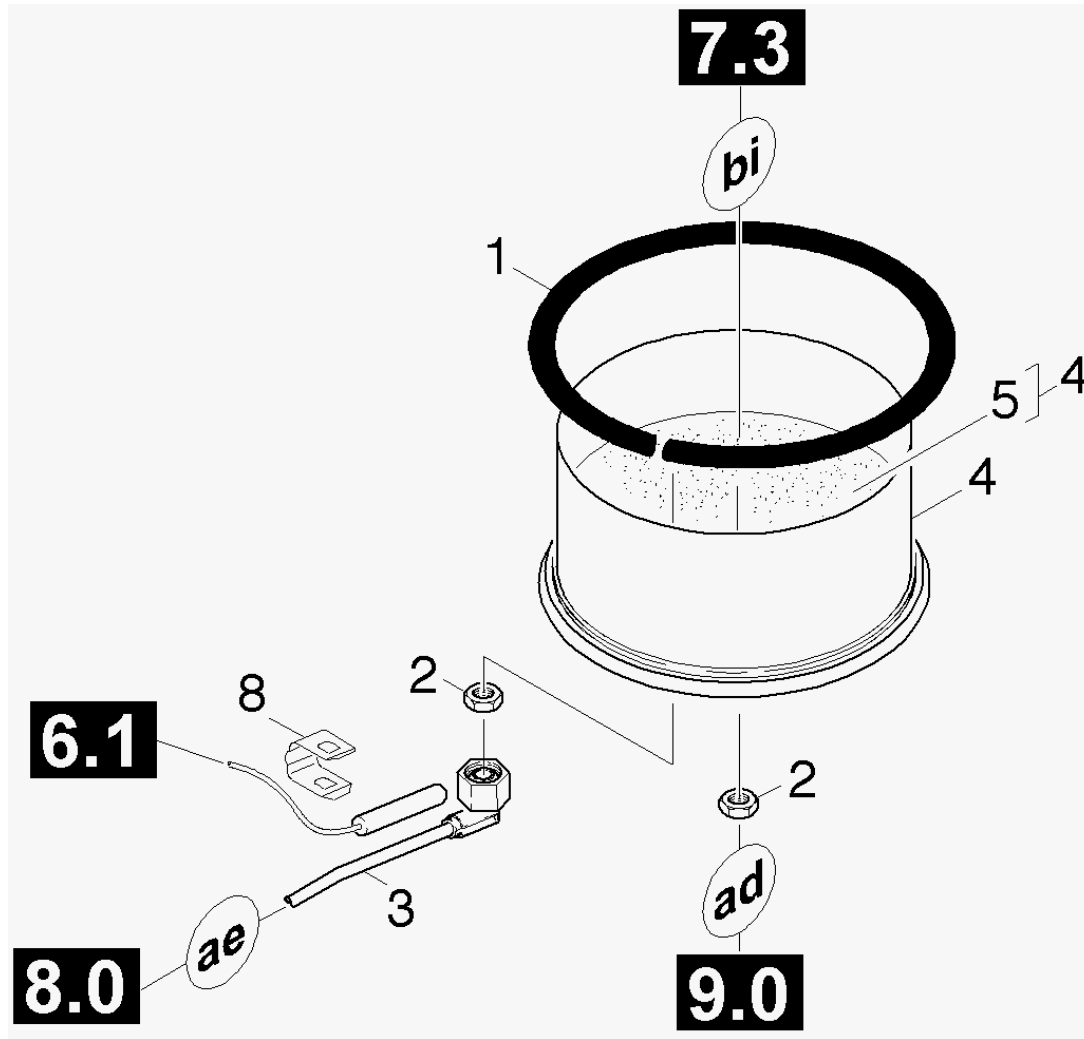
Burner cover

POS ITM. POS.	BENENNUNG DESCRIPTION DESIGNATION	TEILE-NR PART-NO NO. PIECE	STCK QTY. NBR	AB WERK-NR FROM SERIAL-NO TO SERIAL-NO	BIS WERK-NR
1	PIPE	5.423-253.0	1		
2	NUT	6.389-262.0	1		
3	CUTTING RING	.389-263.0	1		
4	HEXAGON NUT	7.311-101.0	1		
5	WASHER	7.312-302.0	1		
6	BURNER NOZZLE HOLDER	5.667-055.0	1		
9	SERRATED RING	6.343-165.0	1		
10	GLASS PANE	6.278-018.0	1		
11	IGNITION LEAD (HDS 557CI)	4.821-071.0	1		
12	COVER	5.654-059.0	1		
13	BRACKET	6.647-527.0	1		
14	WASHER B 5,0	7.312-304.0	1		
15	OVAL HEAD SCREW	7.306-328.0	1		
17	SCREW	7.306-090.0	2		
18	BRACKET	5.762-234.0	1		
19	WASHER	7.312-291.0	4		
20	SCREW	7.303-047.0	2		
21	INJECTOR	6.415-664.0	1		
22	ELECTRODE	2.884-085.0	1		
23	COVER	4.654-196.0	1		
24	SELF TAPPING SCREW	6.303-258.0	3		
25	BURNER COVER	4.662-021.0	1		
26	PROTECTION CAP	5.394-470.0	1		



73**Heating coil**

POS ITM. POS.	BENENNUNG DESCRIPTION DESIGNATION	TEILE-NR PART-NO NO. PIECE	STCK QTY. NBR	AB WERK-NR FROM SERIAL-NO TO SERIAL-NO	BIS WERK-NR
1	Outer covering	4.652-133.0	1		
2	COLLAR	5.178-037.0	1		
3	HEATING COIL	4.680-127.0	1		
4	HEXAGONAL HEAD SCREW	7.304-051.0	3		
5	BURNER CAGE	4.663-123.0	1		
6	BURNER PART	5.664-231.0	1		
9	NUT M8	6.310-081.0	3		
10	BRACKET	5.044-420.0	3		

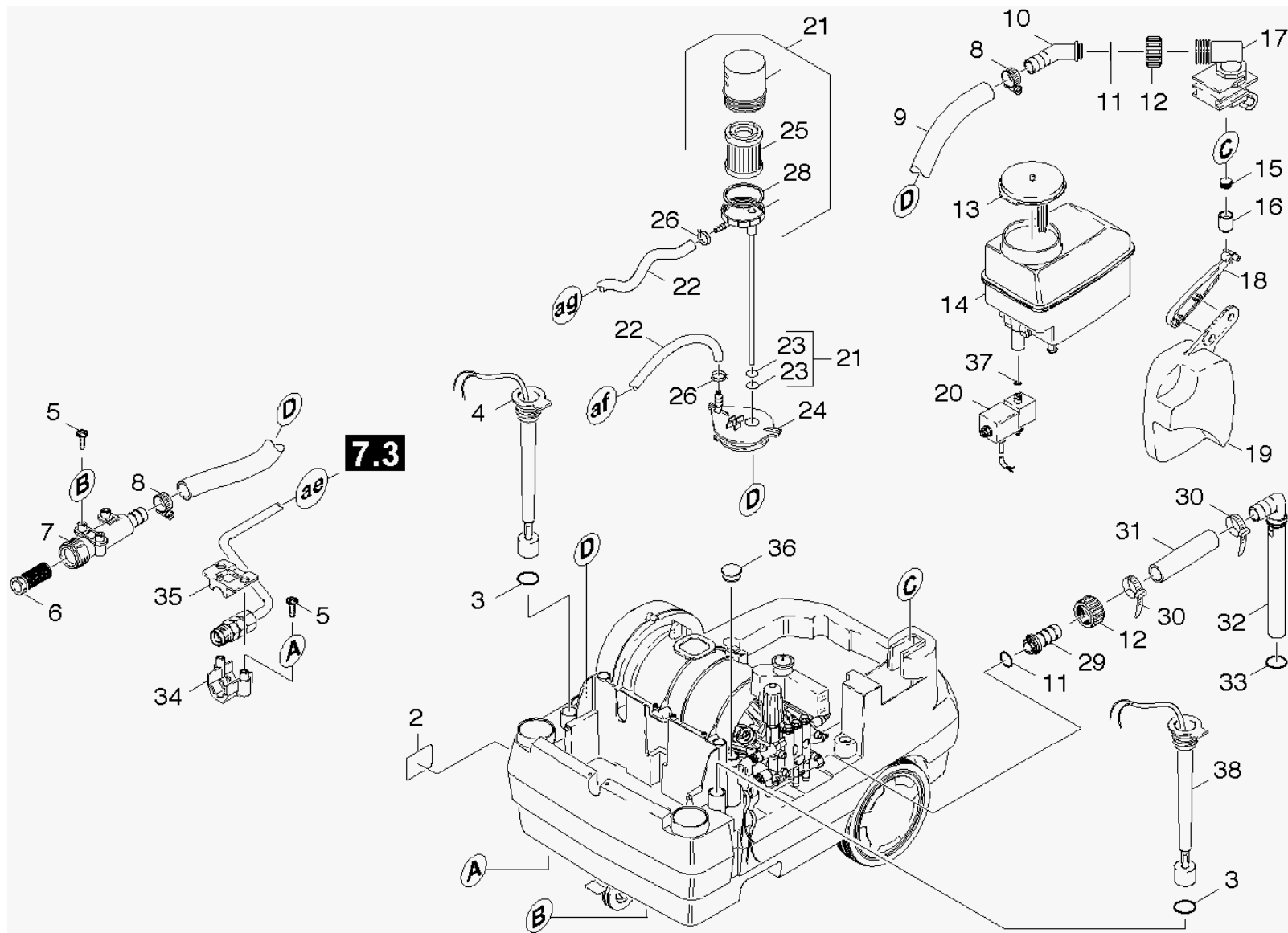


74

Burner bottom

POS ITM. POS.	BENENNUNG DESCRIPTION DESIGNATION	TEILE-NR PART-NO NO. PIECE	STCK QTY. NBR	AB WERK-NR FROM SERIAL-NO TO SERIAL-NO	BIS WERK-NR
1	PROFILE GASKET	6.366-009.0	1		
2	HEXAGONAL NUT	7.311-112.0	2		
3	PIPELINES	4.421-584.0	1		
4	PLATE	4.655-044.0	1		
5	STAMPING MASS	2.889-061.0	1		
8	CLAMP ELEMENT	5.263-064.0	1		

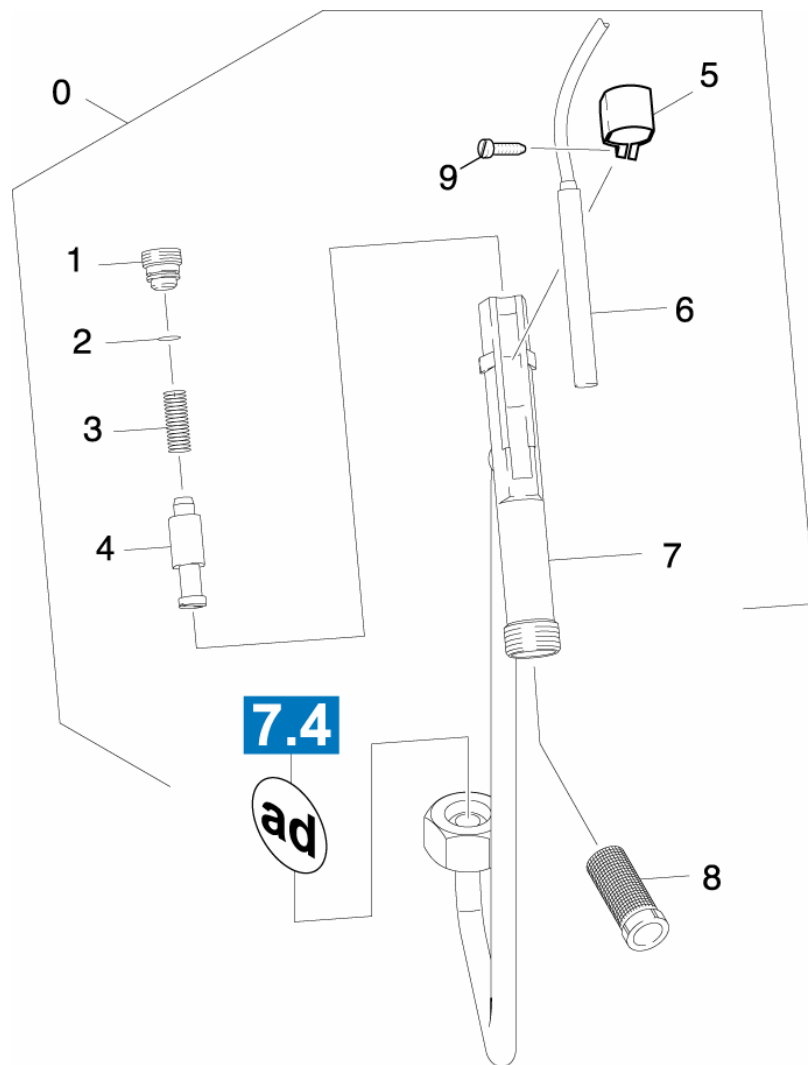
Ersatzteile unter www.gjuesing.net



80

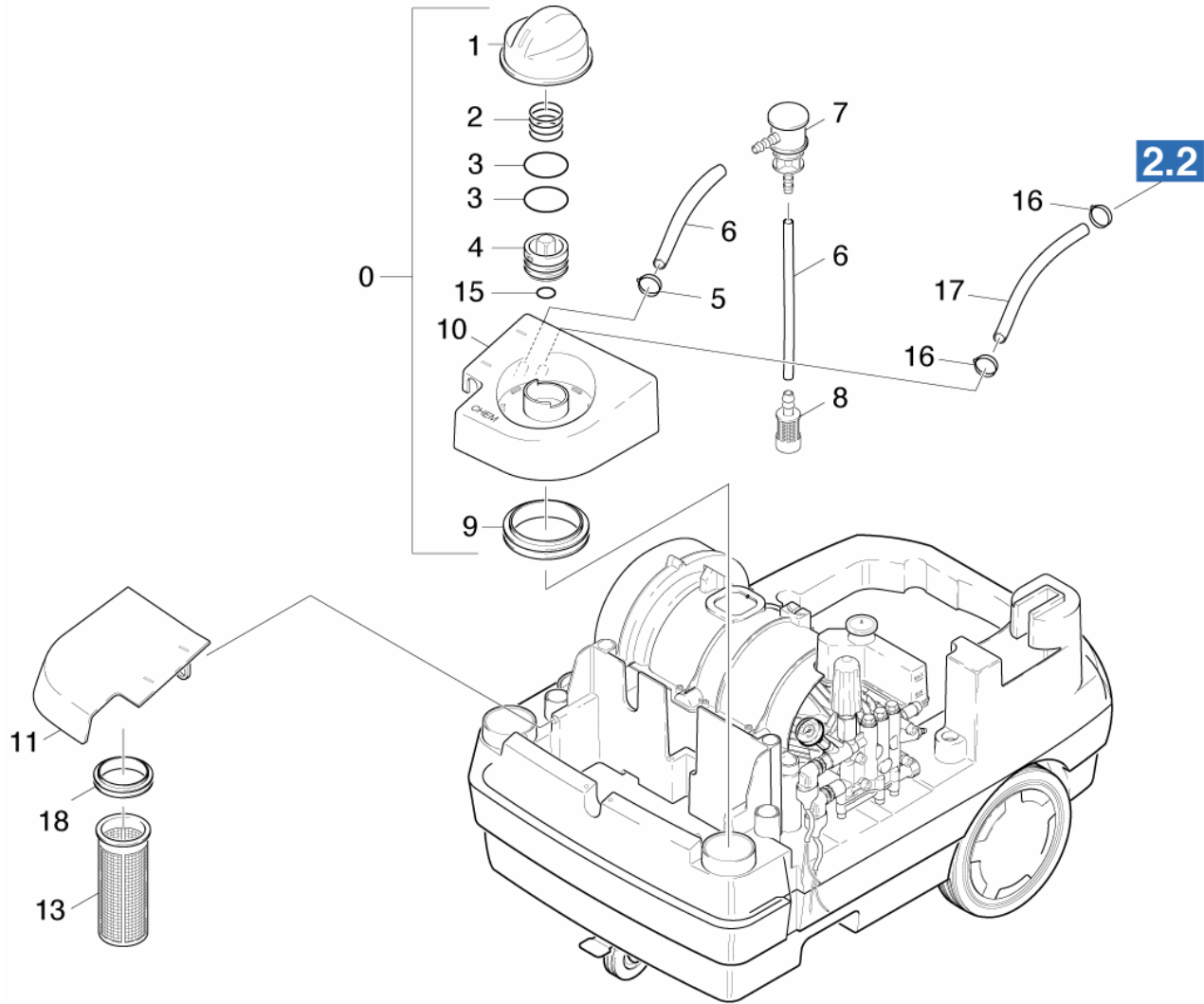
FLOAT CHEST

POS ITM. POS.	BENENNUNG DESCRIPTION DESIGNATION	TEILE-NR PART-NO NO. PIECE	STCK QTY. NBR	AB WERK-NR FROM SERIAL-NO TO SERIAL-NO	BIS WERK-NR
2	DECAL	5.383-342.0	1		
3	O RING	7.362-500.0	2		
4	LEVEL PROBE	4.747-081.0	1		
5	SCREW	7.303-114.0	4		
6	FILTER	6.414-141.0	1		
7	MANIFOLD	5.427-249.0	1		
8	HOSE CLIP	6.388-547.0	2		
9	FLEX HOSE(CUT TO REQD LENGTH-M'S)	6.388-719.0	1		
10	HOSE STEM	5.443-285.0	1		
11	O RING	6.362-078.0	2		
12	NUT	5.310-062.0	2		
13	CAP	5.063-357.0	1		
14	TANK	4.070-313.0	1		
15	FLAT GASKET	5.364-095.0	1		
16	VALVE PIN	5.584-085.0	1		
17	VALVE HOUSING	5.587-195.0	1		
18	LEVER	5.481-256.0	1		
19	FLOAT	5.585-030.0	1		
20	SOLENOID VALVE	6.685-845.0	1		
21	FILTER kpl.	4.730-117.0	1		
22	HOSE	6.389-534.0	1		
23	O-RING 9,0 X 1,5	6.362-384.0	2		
24	COVER	5.064-179.0	1		
25	FILTER	6.414-559.0	1		
26	HOSE BAND CLIP	6.389-768.0	1		
28	SEAL	5.363-629.0	1		
29	HOSE STEM (HDS555C)	5.443-365.0	1		
30	HOLDER	6.641-474.0	2		
31	HOSE	6.390-312.0	1		
32	CONNECTION PIECE	5.443-459.0	1		
33	O RING	6.362-161.0	1		
34	CLAMP ELEMENT	5.263-065.0	1		
35	CLAMP ELEMENT	5.263-066.0	1		
37	ROUND CORD RING	6.362-113.0	1		
38	Level probe chemistry	4.747-087.0	1		



90**SAFETY SYSTEM**

POS ITM. POS.	BENENNUNG DESCRIPTION DESIGNATION	TEILE-NR PART-NO NO. PIECE	STCK QTY. NBR	AB WERK-NR FROM SERIAL-NO TO SERIAL-NO	BIS WERK-NR
0	SAFETY SYSTEM	4.749-154.0	1		
1	SPECIAL SCREW	5.305-162.0	1		
2	O-RING	6.362-482.0	1		
3	SPRING	5.332-057.0	1		
4	PISTON	4.553-022.0	1		
5	CLAMP	5.041-076.0	1		
6	REED SWITCH	2.883-384.0	1		
7	MANIFOLD	4.427-198.0	1		
8	STRAINER	6.414-566.0	1		
9	OVAL HEAD SCREW 4.2X 13	6.303-122.0	1		



100**CHEMISTRY**

POS ITM. POS.	BENENNUNG DESCRIPTION DESIGNATION	TEILE-NR PART-NO NO. PIECE	STCK QTY. NBR	AB WERK-NR FROM SERIAL-NO TO SERIAL-NO	BIS WERK-NR
0	VALVE	4.580-367.0	1		
1	HANDLE	5.321-578.0	1		
2	HELICAL SPRING	5.332-463.0	1		
3	GASKET 25,0 X 2,6	6.412-727.0	2		
4	VALVE SEAT	5.581-256.0	1		
5	HOSE BAND CLIP	6.389-924.0	1		
6	Hose chemistry DN 6	6.391-341.0	2		
7	PLUG	5.132-134.0	1		
8	FILTER	5.731-609.0	1		
9	JOINT RING	5.363-542.0	2		
10	COVER CHEMIE	5.063-858.0	1		
11	COVER	5.063-859.0	1		
13	FILTER	5.731-039.0	1		
15	O RING	6.362-386.0	1		
16	HOSE SCHELLE	6.390-449.0	1		
18	JOINT RING	5.363-533.0	1		

Ersatzteile unter www.gluesing.net



111 TRIGGER GUN

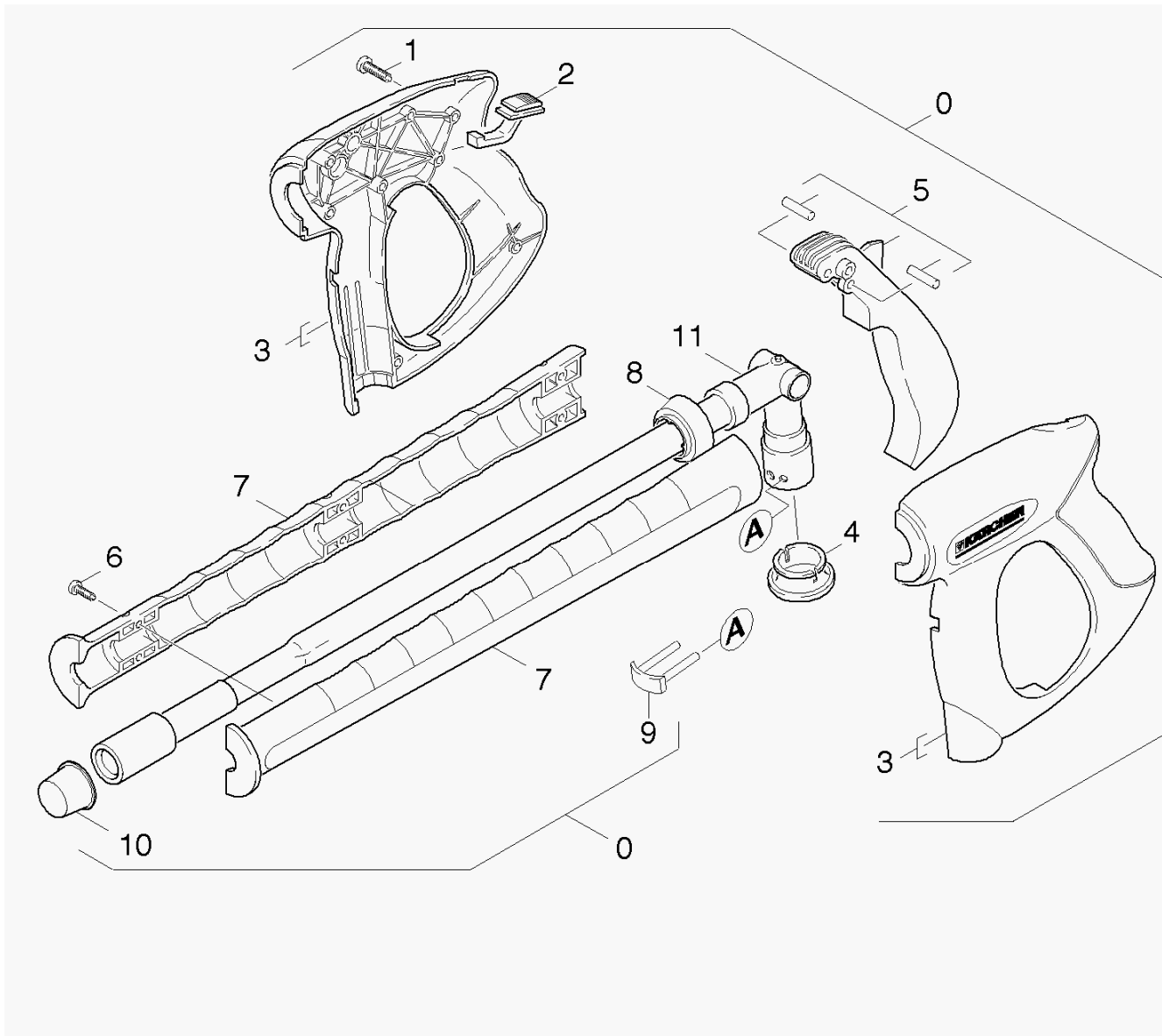
// 1.170-601.0 / -604.0

POS ITM. POS.	BENENNUNG DESCRIPTION DESIGNATION	TEILE-NR PART-NO NO. PIECE	STCK QTY. NBR	AB WERK-NR FROM SERIAL-NO TO SERIAL-NO	BIS WERK-NR
1	Rotary controller 270 l	4.775-526.0	1		
2	SPRING CLIP 25x1,2	7.343-069.0	1		
3	HANDLE	5.321-668.0	1		
4	TRIGGER GUN	4.775-463.0	1		
8	MANIFOLD kpl.	4.427-215.0	1		
9	HOOK	4.037-013.0	1		
10	HANDLES	5.321-669.0	1		
11	Screw 4 x 22-St-10.9-A2R (IN6RD)	7.303-096.0	7		
12	LEVER	5.481-331.0	1		
13	LEVER kpl.	4.481-209.0	1		
14	SLEEVE	5.110-596.0	1		

112

Trigger gun

// 1.170-611.0



112 Trigger gun

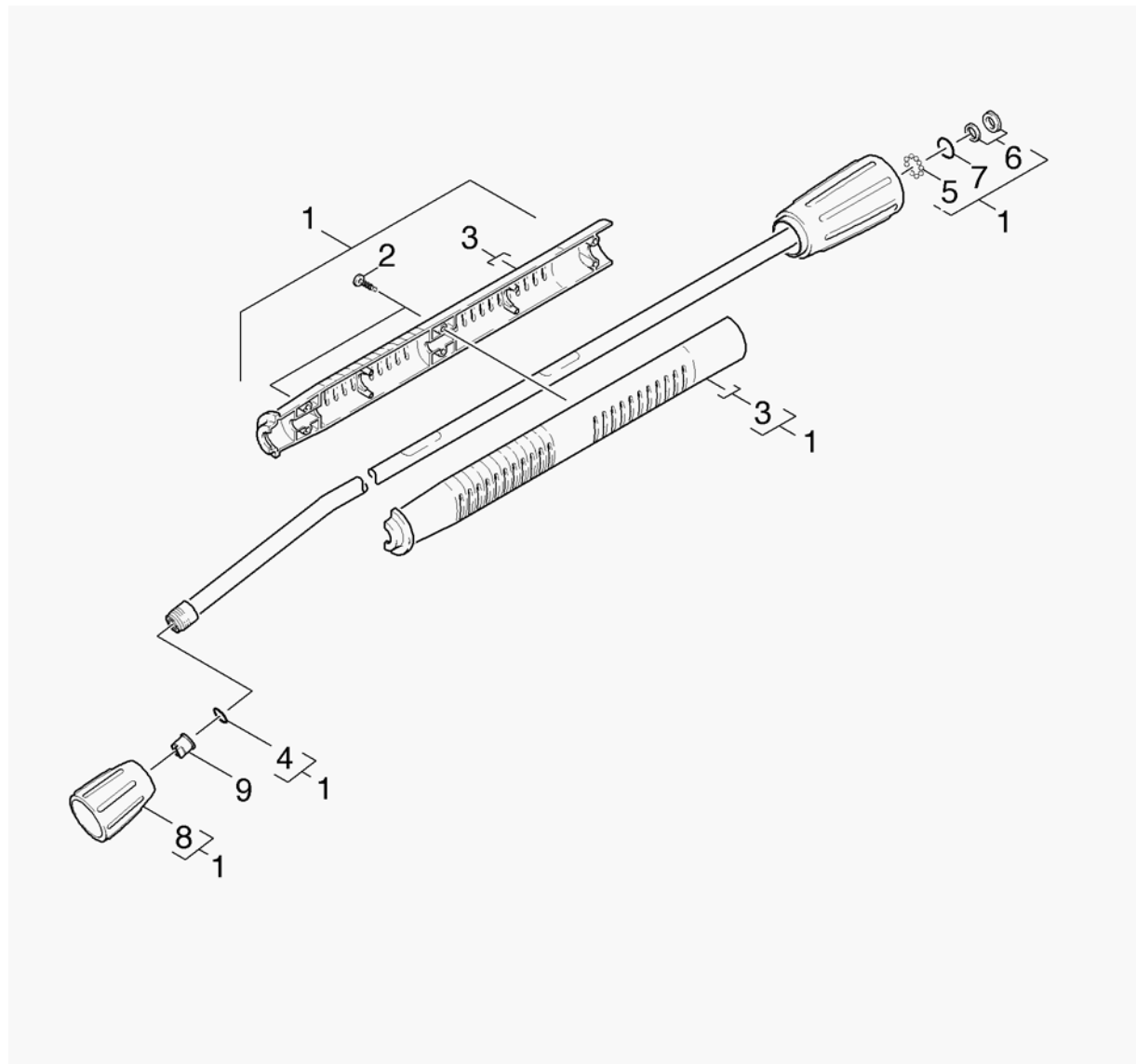
// 1.170-611.0

POS ITM. POS.	BENENNUNG DESCRIPTION DESIGNATION	TEILE-NR PART-NO NO. PIECE	STCK QTY. NBR	AB WERK-NR FROM SERIAL-NO TO SERIAL-NO	BIS WERK-NR
0	Trigger gun	4.775-529.0	1		
1	Screw 4 x 22-St-10.9-A2R (IN6RD)	7.303-096.0	7		
2	LEVER	5.481-331.0	1		
3	HANDLES	5.321-669.0	1		
4	SLEEVE	5.110-596.0	1		
5	LEVER kpl.	4.481-209.0	1		
6	SCREW	7.303-129.0	6		
7	HANDLES Strahlrohr	5.321-691.0	1		
8	Moulded part	5.032-801.0	1		
9	HOOK	4.037-013.0	1		
10	PROTECTING CAP 22X1,5	6.368-012.0	1		
11	Manifold complete	4.427-305.0	1		

113

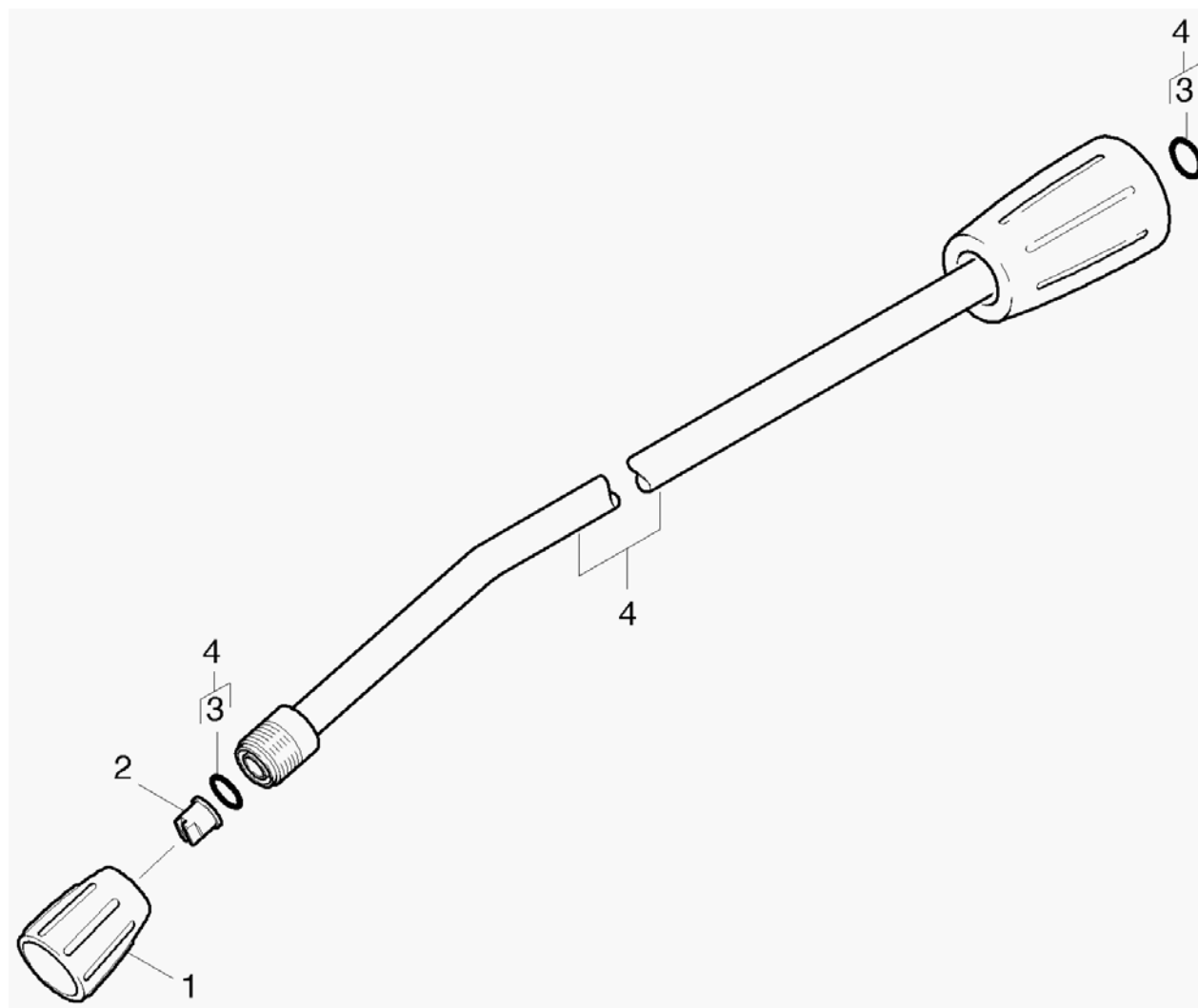
Jet pipe

// 1.170-601.0 / -604.0



113 Jet pipe
// 1.170-601.0 / -604.0

POS ITM. POS.	BENENNUNG DESCRIPTION DESIGNATION	TEILE-NR PART-NO NO. PIECE	STCK QTY. NBR	AB WERK-NR FROM SERIAL-NO TO SERIAL-NO	BIS WERK-NR
1	JET PIPE kpl.	4.760-550.0	1		
2	SCREW	7.303-129.0	6		
3	HANDLES Strahlrohr	5.321-691.0	1		
4	KIT HDS 580-760	2.880-296.0	1		
5	BALL	7.401-915.0	20		
6	O RING	6.362-532.0	1		
7	O RING	6.362-524.0	1		
8	SCREW UNION	5.401-210.0	1		
9	Power nozzle 25034	2.883-803.0	1		

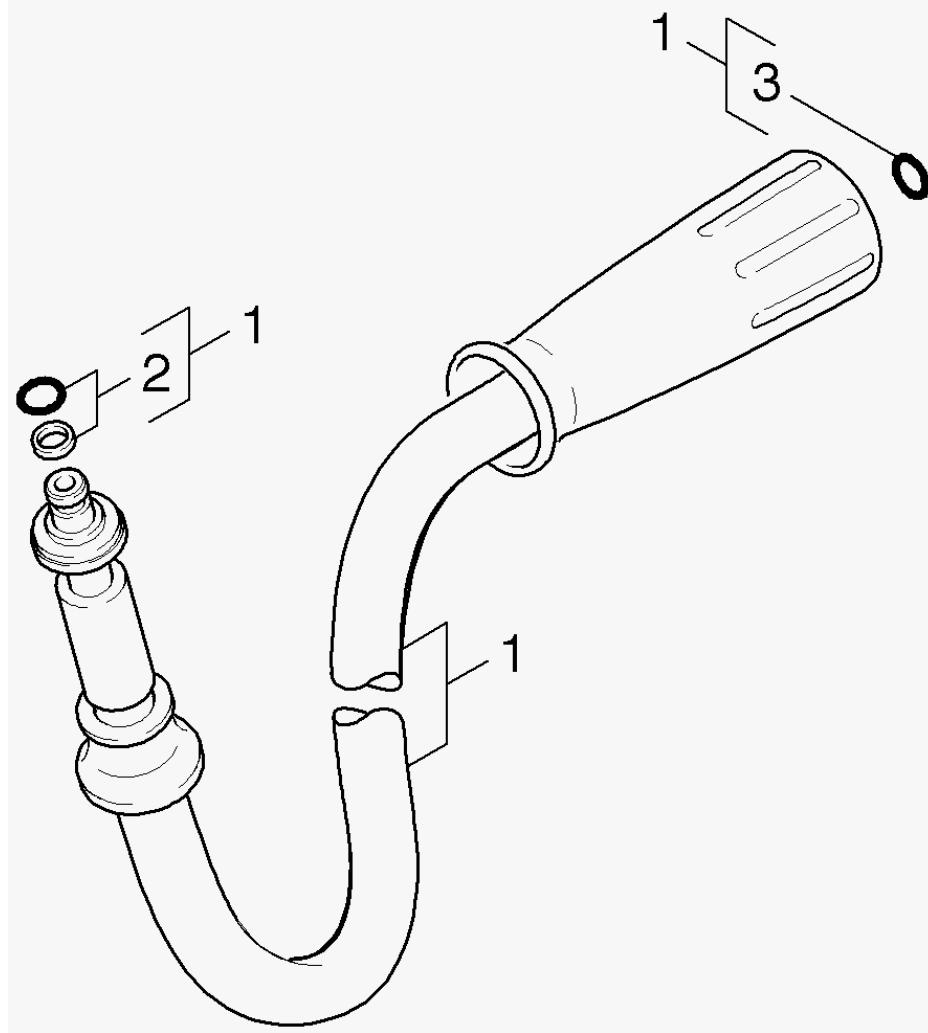


114 Jet pipe

// 1.170-611.0

POS ITM. POS.	BENENNUNG DESCRIPTION DESIGNATION	TEILE-NR PART-NO NO. PIECE	STCK QTY. NBR	AB WERK-NR FROM SERIAL-NO TO SERIAL-NO	BIS WERK-NR
1	SCREW UNION	5.401-210.0	1		
2	Power nozzle 25041	2.883-893.0	1		
3	KIT HDS 580-760	2.880-296.0	1		
10	O RING	6.362-957.0	5		
4	LANCE	4.760-356.0	1		

Ersatzteile unter www.gjuesing.net



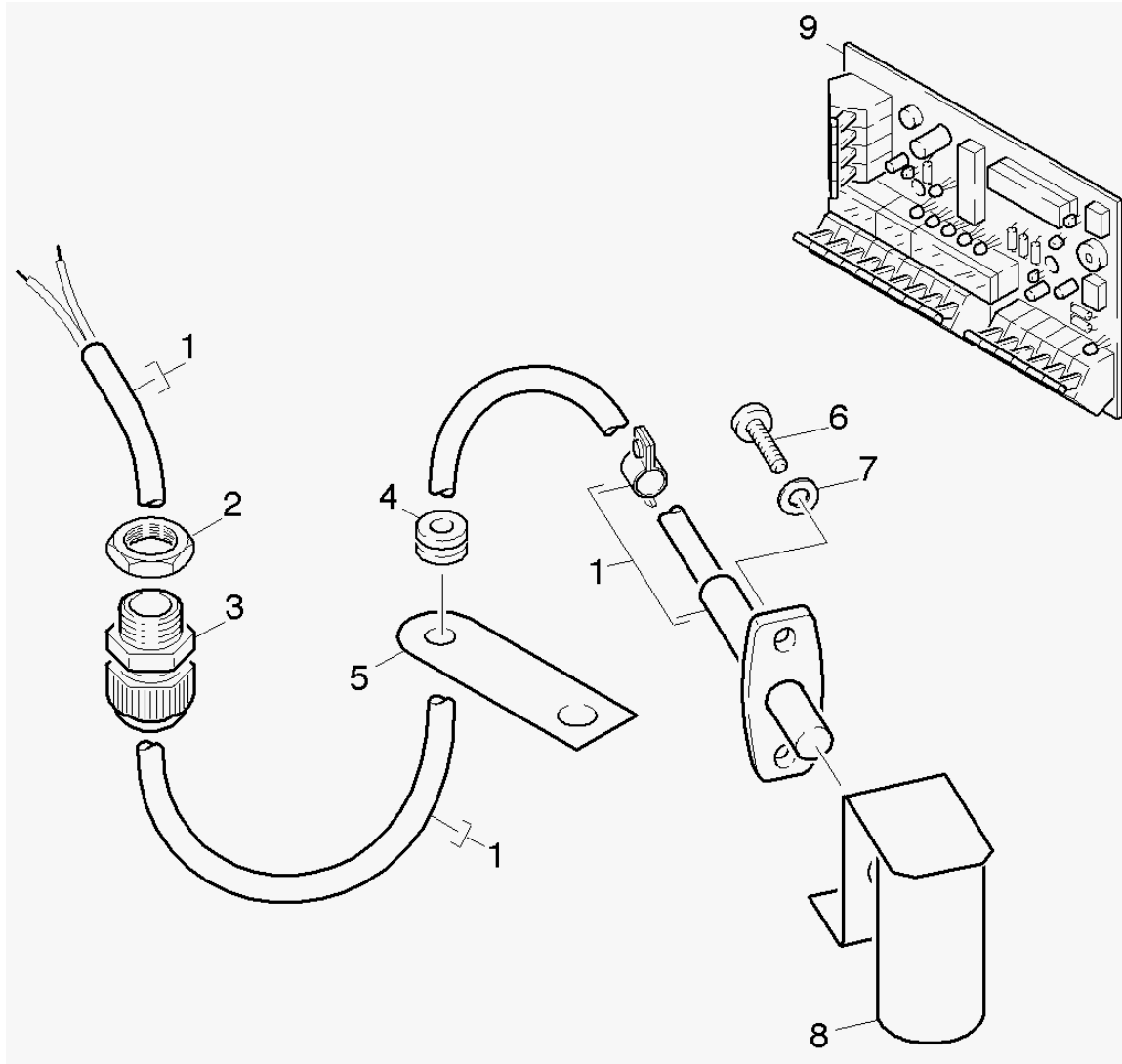
115

HIGH PRESSURE HOSE

POS ITM. POS.	BENENNUNG DESCRIPTION DESIGNATION	TEILE-NR PART-NO NO. PIECE	STCK QTY. NBR	AB WERK-NR FROM SERIAL-NO TO SERIAL-NO	BIS WERK-NR
1	HIGH PRESSURE HOSE	6.390-025.0	1		
2	GASKET	6.363-116.0	1		
3	KIT HDS 580-760	2.880-296.0	1		
10	O RING	6.362-957.0	5		

Ersatzteile unter www.gluesing.net





120**Flame guard**

POS ITM. POS.	BENENNUNG DESCRIPTION DESIGNATION	TEILE-NR PART-NO NO. PIECE	STCK QTY. NBR	AB WERK-NR FROM SERIAL-NO TO SERIAL-NO	BIS WERK-NR
1	PHOTO ELECTRIC CELL	6.664-030.0	1		
2	Cable connector M12 gr	6.648-391.0	1		
3	Blind plug M12 gr	6.648-422.0	1		
4	BUSH	6.641-638.0	1		
5	BRACKET	5.042-833.0	1		
6	SCREW M 4X 16	7.303-033.0	2		
7	DISC	7.312-001.0	2		
8	BRACKET	4.043-246.0	1		
9	CIRCUIT BOARD BRENNER	6.682-306.0	1		