

DYNAMICS 440M/B1, 840M/B1

Model:

DYNAMICS 440M/B1

DYNAMICS 840M/B1

OEM TYPE 22 SQ 6



Stückliste Deutsch

14-10-2012

Nilfisk
ALTO
works for you

www.nilfisk-alto.com

Ersatzteile auf www.gluesing.net

Inhalt

DYNAMICS 440M/B1, 840M/B1

| | |
|---|-----------|
| Gehäuse | 3 |
| Motor/turbine (centrifugal) from year 2000 | 5 |
| HANDGRIFF | 7 |
| Filter | 9 |
| BEHÄLTER | 11 |
| Ansaugeinheit | 13 |
| Relay (a) | 15 |
| Relay (b) | 17 |

Gehäuse

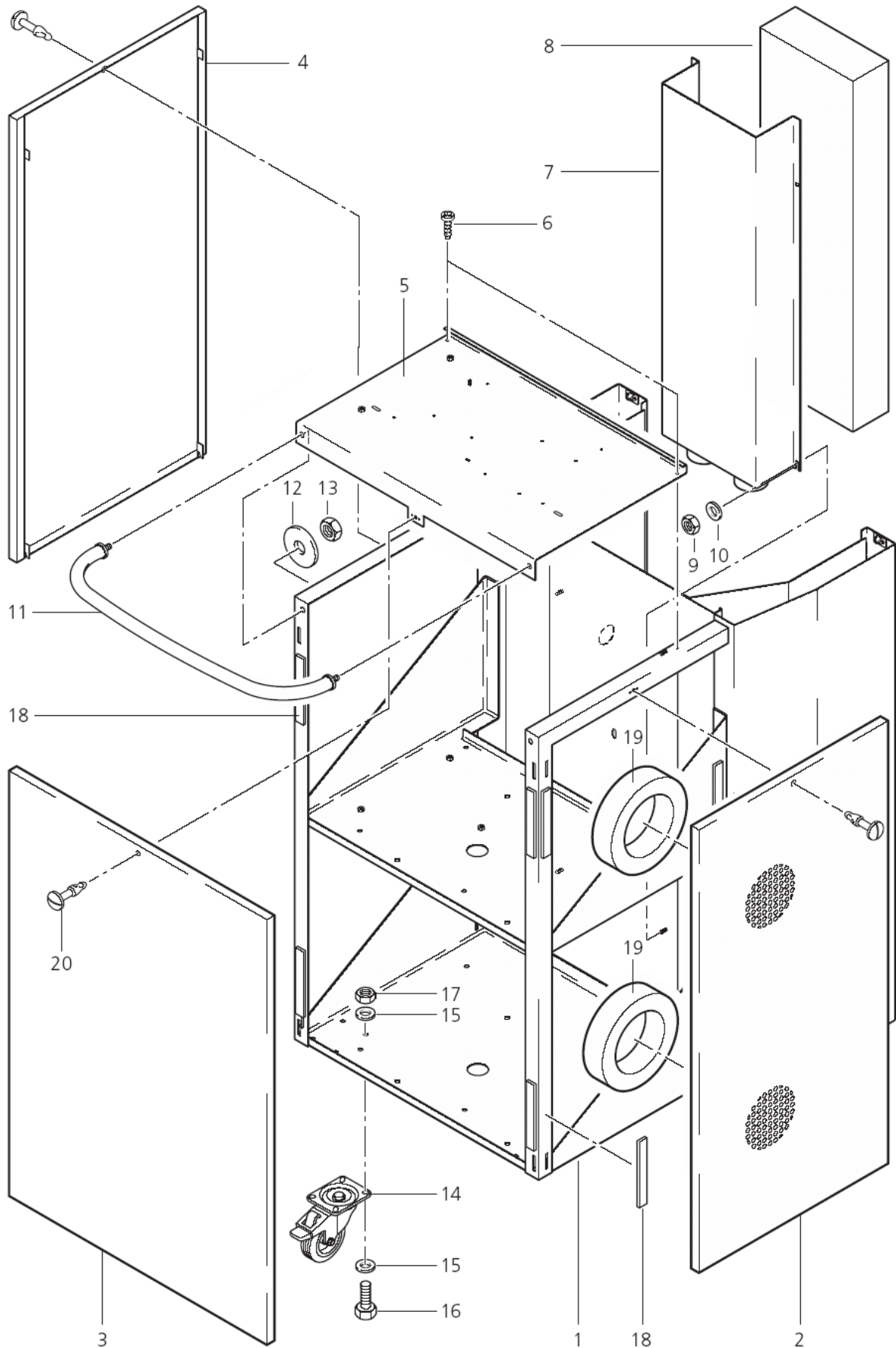
DYNAMICS 440M/B1, 840M/B1

14-10-2012

ET-Liste-Nr.
DYNAM440M02

3

Dynamics
440
840
440M/B1
840M/B1



Ersatzteile auf www.gluesing.net

Gehäuse

DYNAMICS 440M/B1, 840M/B1

14-10-2012

ET-Liste-Nr.
UYNM440MUZ

4

| Pos | Artikelnr. | Me | Beschreibung |
|-----|------------|----|--|
| 1 | 65233 | 1 | Gehäuse Dynamics blau 440 /840 beschicht. |
| 2 | 65240 | 1 | Verkleidung |
| 3 | 65237 | 1 | Verkleidung hinten blau"D y namics 440/840 |
| 4 | 65239 | 1 | Verkleidung rechts blau"D y namics 440/840 |
| 5 | 65236 | 1 | Schaltkastenkons.blau "Dy namics 440/840" |
| 6 | 8822 | 1 | Blechschraube 3,5x9,5 |
| 7 | 65229 | 1 | Abluftkanal Dynamics blau 440/840 |
| 8 | 29720 | 1 | Daemmeinlage Abluft- |
| 11 | 29681 | 1 | Bügel |
| 14 | 46361 | 1 | Lenkrolle Ø100 |
| 18 | 6250 | 1 | Klebeband 15x2 |
| 19 | 63887 | 1 | Daemmeinlage Ring D200/13 0x50 "Dynam." |
| 20 | 64260 | 1 | Schnellverschluss-Set Ver kleidung |

PLEASE INDICATE LENGTHS IN METRES WHEN ORDERING

Kit with 7 bolts, 3 holders, 7 spring clips

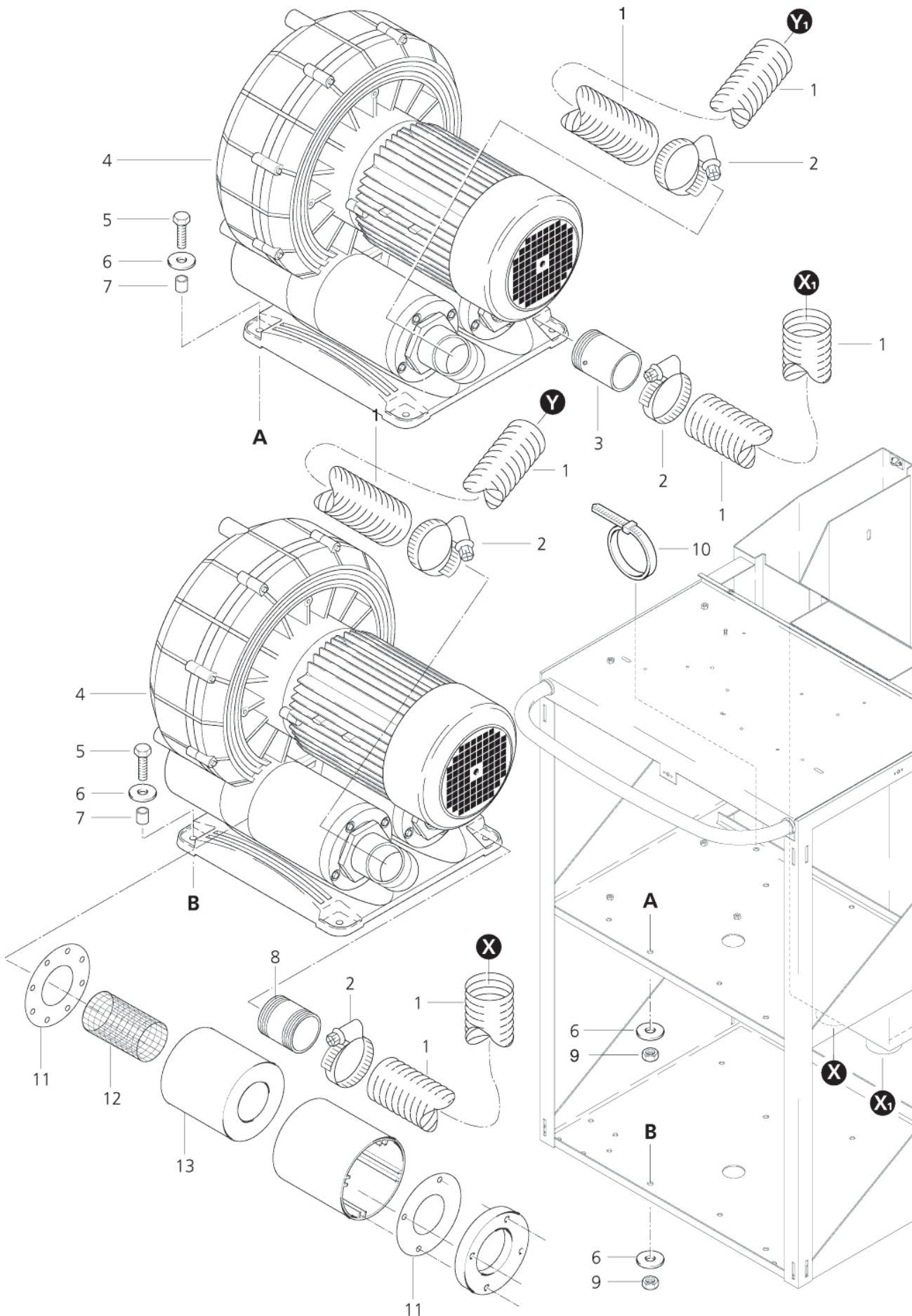
Motor/turbine (centrifugal) from year 2000

DYNAMICS 440M/B1, 840M/B1

14-10-2012

ET-Liste-Nr.
DYNAM440M04

5



Ersatzteile auf www.gluesing.net

Motor/turbine (centrifugal) from year 2000

DYNAMICS 440M/B1, 840M/B1

14-10-2012

ET-Liste-Nr.
DYNAM440M04

6

| Pos | Artikelnr. | Me | Beschreibung | |
|-----|------------|----|--|---|
| 1 | 29712 | 1 | Saugschlauch 63 Mewa | PLEASE INDICATE LENGTHS IN METRES WHEN ORDERING |
| 2 | 14030 | 1 | CW Schlauchschelle °50-70 x13 W5 DIN3017-1-A | |
| 3 | 63895 | 1 | Rueckschlagklappe kpl. | |
| 4 | 302000157 | 1 | SIDE CANAL BLOWER 4/48KW 200/350V 50/60 | DYNAMICS 440, 440 M/B1 = 1 PIECE |
| 4 | 63889 | 1 | Seitenkanalverdichter 4kW /400V/50Hz | DYNAMICS 440, 440 M/B1 = 1 PIECE |
| 4 | 65458 | 1 | SIDE CANAL BLOWER 4.8KW/460-480V 60HZ | DYNAMICS 440, 440 M/B1 = 1 PIECE |
| 7 | 63960 | 1 | Huelse ø12x12,5 ø9 S | |
| 8 | 20714 | 1 | Doppelnippel 2"x60 ZN | |
| 10 | 15884 | 1 | CW Kabelband 4,7x1,3x350 T50L | DYNAMICS 840, 840 M/B1 = 2 PIECES |
| 11 | 302002666 | 2 | Dichtung 125x93x1 Dynamics Verdichter | |
| 12 | 302002665 | 1 | Haltesieb Seitenkanalverd Dynamics | |
| 13 | 302002664 | 1 | Dämmatte für Dynamics Dynamics | |

HANDGRIFF

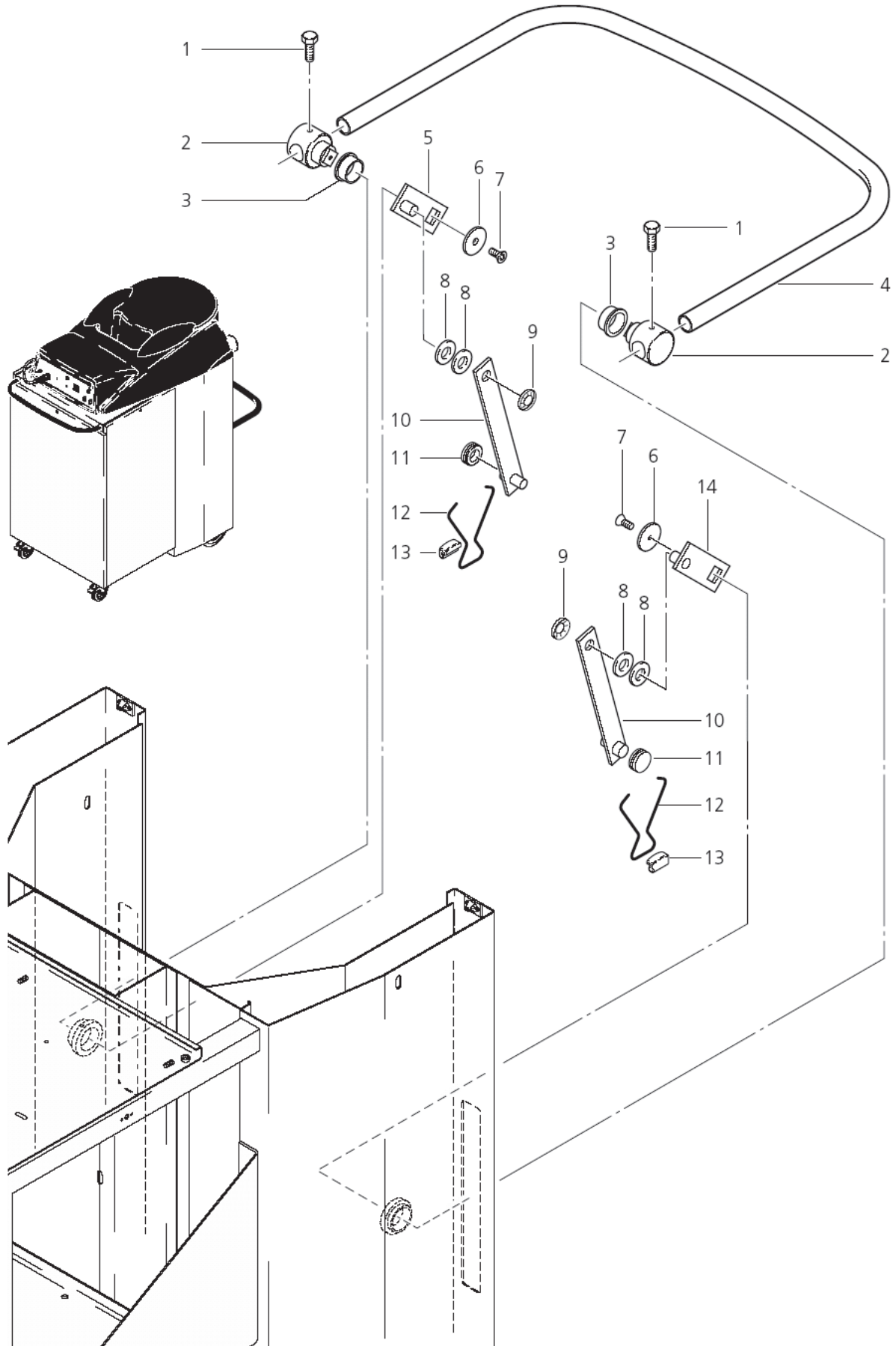
DYNAMICS 440M/B1, 840M/B1

14-10-2012

ET-Liste-Nr.
DYNAM440M06

7

Dynamics
440
840
440MB1
840MB1



Ersatzteile auf www.gluesing.net

HANDGRIFF

DYNAMICS 440M/B1, 840M/B1

14-10-2012

ET-Liste-Nr.
DYNAM440M06

8

| Pos | Artikelnr. | Me | Beschreibung |
|-----|------------|----|-----------------------------------|
| 3 | 29688 | 1 | Buchse |
| 4 | 29692 | 1 | Buegel |
| 7 | 31352 | 1 | Senkschraube M6x10 DIN 96 6 |
| 8 | 24191 | 1 | SHB 17 X3,0 B 125 ZN |
| 9 | 11710 | 1 | Klemmring Ø15 (ohn e Kappe) St-zn |

Filter

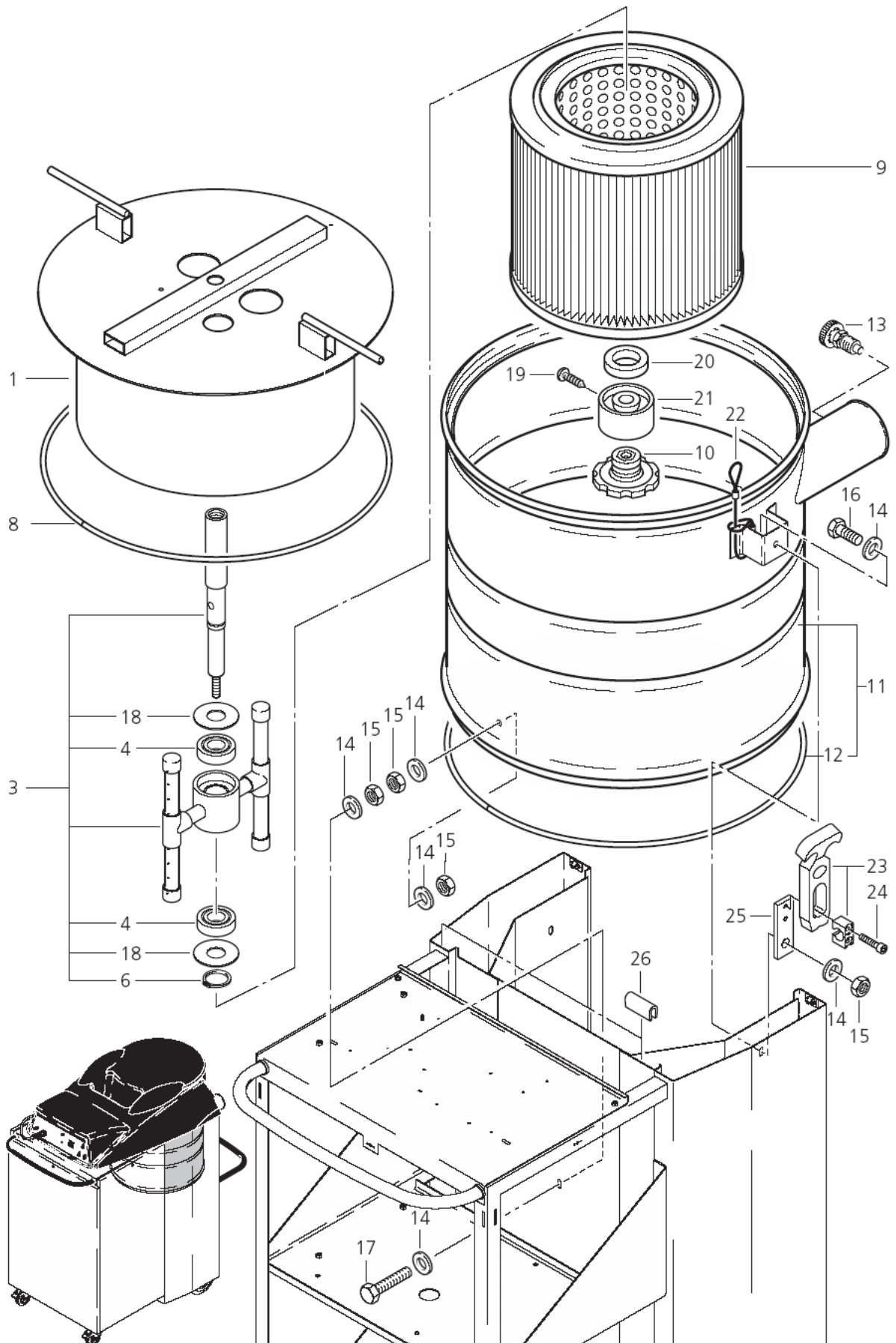
DYNAMICS 440M/B1, 840M/B1

14-10-2012

ET-Liste-Nr.
DYNAM440M08

9

Dynamics
440
840
440M/B1
840M/B1



Ersatzteile auf www.gluesing.net

Filter

DYNAMICS 440M/B1, 840M/B1

14-10-2012

ET-Liste-Nr.
UYNM440M08

10

| Pos | Artikelnr. | Me | Beschreibung | |
|-----|------------|----|---|---|
| - | 302000233 | 1 | Umbausatz Dynamics 440-M/ B1 Filterträger | 440M |
| - | 302000234 | 1 | Umbausatz Dynamics 840-M/ B1 Filterträger | 840M |
| - | 302000235 | 1 | Umbausatz Dynamics 440 Filterträger | 440 |
| - | 302000236 | 1 | Umbausatz Dynamics 840 Filterträger | 840 |
| 1 | 65837 | 1 | Filterträgerscheibe | |
| 3 | 29685 | 1 | Abreinigung kpl. | |
| 4 | 101118042 | 1 | ROLLER BEARING 6205-2Z | |
| 6 | 16848 | 1 | Sicherungsring 25x1,2 | |
| 7 | 29682 | 1 | Traegerplatte | VERSION 010400 |
| 8 | 34932 | 1 | Profil | VERSION 010400 |
| 8 | 65848 | 1 | Dichtungsprofil selbstkle mmend MEWA NBR | PLEASE INDICATE LENGTHS IN METRES WHEN ORDERING |
| 9 | 34931 | 1 | Filterpatrone Absolut- 30 | |
| 10 | 34930 | 1 | Handrad M10 | VERSION 010400 |
| 10 | 65840 | 1 | Handrad M10 | |
| 11 | 29683 | 1 | Zwischenring | |
| 12 | 29722 | 1 | Dichtring | |
| 13 | 34944 | 1 | Rastbolzen D 5 | |
| 18 | 29685 | 1 | Abreinigung kpl. | |
| 19 | 11254 | 1 | CW Ejotschraube KA35x10 WN1411 St/zn | |
| 20 | 65842 | 1 | Dichtung ø30xø18x8 | |
| 21 | 65841 | 1 | Andrückring ø40x22 | |
| 22 | 302000197 | 1 | Kabel Ø 2x450 DIN 3053 | |
| 23 | 65839 | 1 | Spannbandverschluss Dynamics | |
| 24 | 23163 | 1 | Schraube Zyl. M5x25 DIN912 | |
| 25 | 65838 | 1 | Blechlasche Dynamics | |
| 26 | 1423 | 1 | nicht mehr lieferbar nicht mehr lieferbar | PLEASE INDICATE LENGTHS IN METRES WHEN ORDERING |

BEHÄLTER

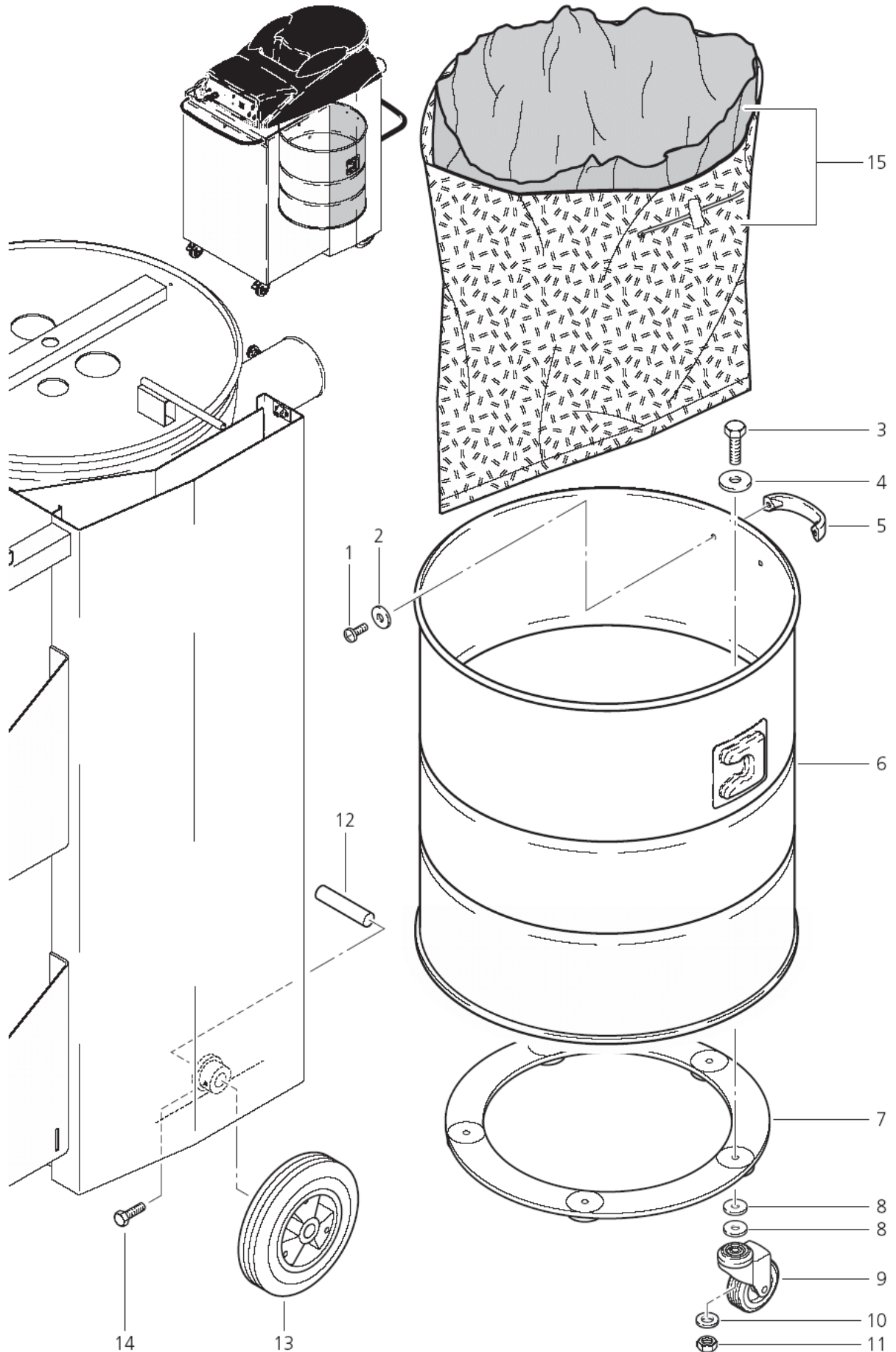
DYNAMICS 440M/B1, 840M/B1

14-10-2012

ET-Liste-Nr.
DYNAM440M10

11

Dynamics
440
840
440M/B1
840M/B1



Ersatzteile auf www.gluesing.net

BEHÄLTER

DYNAMICS 440M/B1, 840M/B1

14-10-2012

ET-Liste-Nr.
UYNM440M10

12

| Pos | Artikelnr. | Me | Beschreibung |
|-----|------------|----|--------------------------|
| 1 | 14664 | 1 | SHR Li- M6 x12 H7985 A2 |
| 5 | 14663 | 1 | Buegelgriff M6 Turbo- D |
| 6 | 29684 | 1 | Behaelter |
| 7 | 40241 | 1 | Ring D383 5xBohr.D9 G-AL |
| 9 | 29714 | 1 | Lenkrolle ø75 H100 |
| 12 | 29711 | 1 | Achse |
| 13 | 11694 | 1 | Rad |
| 15 | 29727 | 1 | Entsorgungssack Dynamics |

Ansaugeinheit

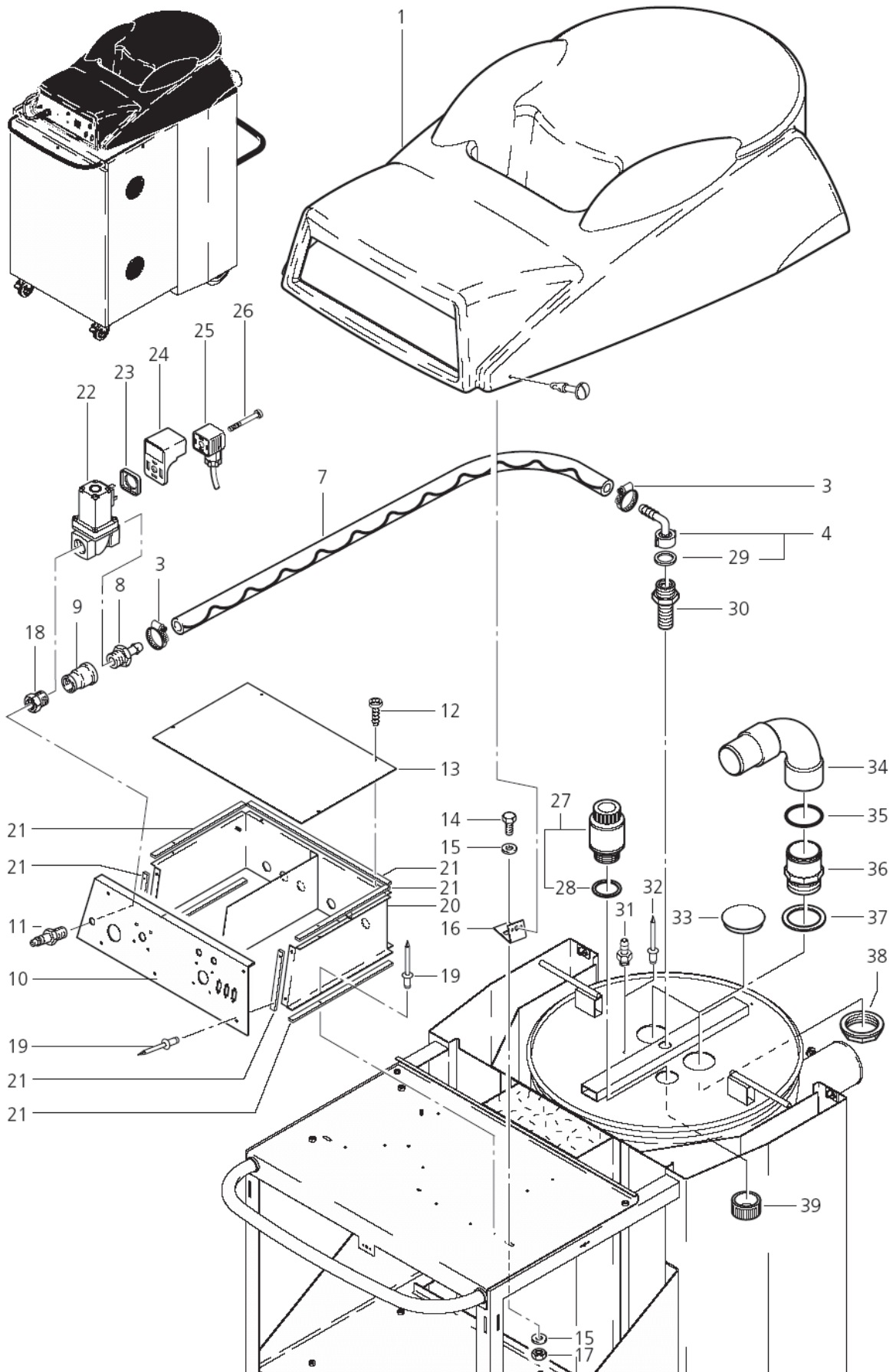
DYNAMICS 440M/B1, 840M/B1

14-10-2012

ET-Liste-Nr.
DYNAM440M12

13

Dynamics
440
840
440MB1
840MB1



Ersatzteile auf www.gluesing.net

Ansaugereinheit

DYNAMICS 440M/B1, 840M/B1

14-10-2012

ET-Liste-Nr.
UYNM44UM12

14

| Pos | Artikelnr. | Me | Beschreibung | |
|-----|------------|----|---|---|
| 1 | 29699 | 1 | Haube | |
| 3 | 3211 | 1 | Schlauchschele Ø20x9 | |
| 4 | 5613 | 1 | CW Schlauchtülle °13 90Ø üM 3/4 Ku | |
| 5 | 30200236 | 1 | Umbausatz Dynamics 840 Filterträger | VERSION 010400 |
| 5 | 30954 | 1 | CW Dichtungprofil schwarz | VERSION 010400 |
| 5 | 63983 | 1 | Haube Absaug- Dynamics | VERSION 010400 |
| 7 | 4169 | 1 | CW Schlauch °13 MeW a (PN30BAR) Gummi | PLEASE INDICATE LENGTHS IN METRES WHEN ORDERING |
| 8 | 43928 | 1 | Schlauchtülle | |
| 9 | 22591 | 1 | CW Muffe 1551 3/8" | |
| 10 | 65234 | 1 | Schaltkastenfront blau"Dy namics 440/840" | M versions and B1 |
| 10 | 65235 | 1 | SWITCH BOX - FRONT | |
| 11 | 14809 | 1 | Kupplungsstecker G1/4" | |
| 12 | 8822 | 1 | Blechschraube 3,5x9,5 | |
| 13 | 29679 | 1 | COVER FOR SWITCH BOX | |
| 16 | 29710 | 1 | Lasche | |
| 18 | 54758 | 1 | CW Reduzierstück 3/8-1/4" 1541 MS-Blank | |
| 19 | 14714 | 1 | CW Blindniet 3,2x10 x 6, 5 A Alu/St | |
| 21 | 6250 | 1 | Klebeband 15x2 | PLEASE INDICATE LENGTHS IN METRES WHEN ORDERING |
| 22 | 29686 | 1 | Magnetventil DN13, 400V/5 0Hz | DN13, 400V/ |
| 22 | 65459 | 1 | Magnetv. 2/2 DN13 24VAC 5 0-60Hz 3/8" Ms | DN13 24VAC 50-60HZ |
| 23 | 17767 | 1 | CW Dichtung für Magnetven til | |
| 24 | 60648 | 1 | Entstoerglied RC 400V | 400V *DE* |
| 24 | 65721 | 1 | SCREENING UNIT RC 24VAC/DC | 24V *CA*US* |
| 25 | 11693 | 1 | Magnetventilstecker Ltg 1500mm | 440 M/B1, 840 M/B1 |
| 26 | 17768 | 1 | CW Linsenschraube M3x25 H D | |
| 27 | 29694 | 1 | Ventil Vakuumbegrenzungs- 230mbar G1 1/4 | |
| 28 | 60901 | 1 | Dichtung Ø42x58x3 | |
| 29 | 46487 | 1 | Dichtring 21x29x2,5 | |
| 30 | 65843 | 1 | Hohlschraube G1/2"-G3/4"x 75 SW30 CuZn | |
| 31 | 65849 | 1 | Schlauchtülle gerade ø3xM 5 AG Ms | |
| 32 | 11691 | 1 | Niet 4x10x8 | |
| 33 | 65850 | 1 | Kappe Ø61xØ66x9,5 | |
| 34 | 65845 | 1 | Bogen 90° ø63 | |
| 35 | 46729 | 1 | O-Ring 56,87x1,78 NBR70 | |
| 36 | 65846 | 1 | Nippel G2"x62,8xø54x78 P VC | |
| 37 | 65851 | 1 | Dichtring ø61/79x4 PE | |
| 38 | 65847 | 1 | Sechskantmutter 2" PVC | |
| 39 | 61739 | 1 | CW Mut gegen- NR.8190 1.1 /4" grau PP | |

Relay (a)

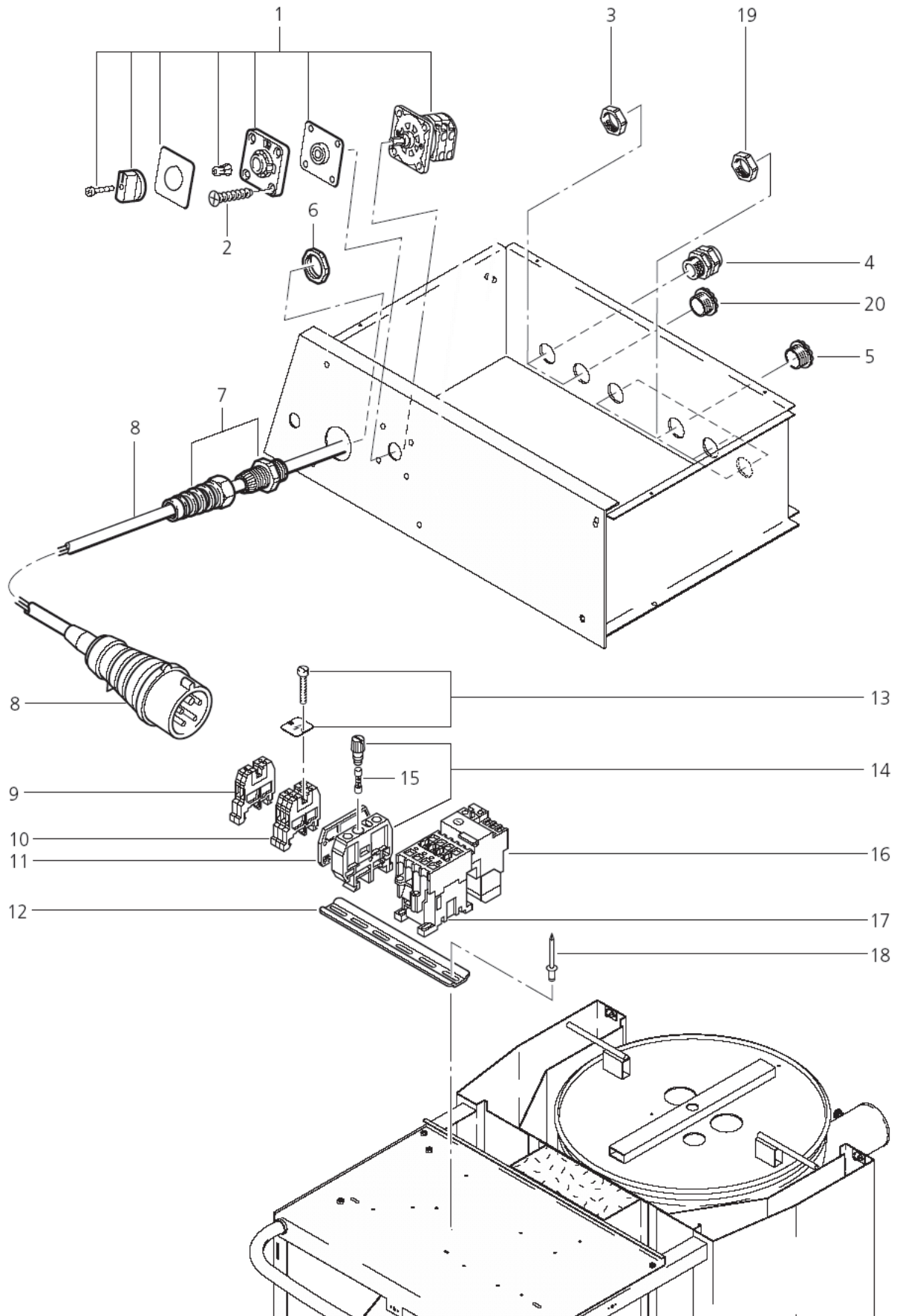
DYNAMICS 440M/B1, 840M/B1

14-10-2012

ET-Liste-Nr.
DYNAM440M14

15

Dynamics
440



Ersatzteile auf www.gluesing.net

Relay (a)

DYNAMICS 440M/B1, 840M/B1

14-10-2012

ET-Liste-Nr.
UYNM44UM14

16

| Pos | Artikelnr. | Me | Beschreibung | |
|-----|------------|----|--|---|
| 1 | 15779 | 1 | NOCKENSCHALTER (EIN-AUS) | |
| 2 | 11253 | 1 | Schraube 5x20 | |
| 3 | 17345 | 1 | CW Sechskantmutter PG 13, 5 EN 50262 PVC | VERSION 010400 |
| 3 | 909100020 | 1 | CW Sechskantmutter M25x1 ,5 EN 50262 PA | |
| 4 | 17349 | 1 | CW Kabelverschraubung PG1 3,5ZUGE. | VERSION 010400 |
| 4 | 64903 | 1 | CW Kabelversch. M25x1,5 Zuge. EN 50262 PA | |
| 5 | 1576 | 1 | KABELTÜLLE KT 21 | VERSION 010400 |
| 5 | 909100022 | 1 | CW Würgenippel M16x1,5 ge schlossen grau PVC | |
| 6 | 1762 | 1 | CW Sechskantmutter PG 16 EN 502 | VERSION 010400 |
| 6 | 909100021 | 1 | HEXAGON NUT M32X1.5 | |
| 7 | 11567 | 1 | CW Kabelverschraubung m.K nickschu | VERSION 010400 |
| 7 | 909100016 | 1 | Kabelverschraubung M32x1 ,5 | |
| 8 | 14917 | 1 | LTG Netz H07RN-F 4G1,5x 5 ,0 CEE 5 16A 6h | *DE* |
| 8 | 27068 | 1 | POWER CABLE 4G2.5X 5.0 | *JP* |
| 9 | 3817483 | 1 | Reihenklemme Erde WK4 | |
| 10 | 5037 | 1 | CW Reihenklemme-grau 4qm m | |
| 11 | 5039 | 1 | CW Abschlussplatte für Si cherungsklemme | |
| 12 | 22290 | 1 | CW Tragschiene TS35 MeWa gelocht St/zn | PLEASE INDICATE LENGTHS IN METRES WHEN ORDERING |
| 13 | 5115 | 1 | Klemmenabdeckung M4/6 +2 Schr. | |
| 14 | 5038 | 1 | CW Klemme SI- SAKS 1 | |
| 15 | 5509 | 1 | SI Fein- T 6,3AL 20x5mm | |
| 16 | 103822323 | 1 | Thermorelais 4-6A | |
| 16 | 103822324 | 1 | Thermorelais 5,5-8A | |
| 16 | 103822325 | 1 | Thermorelais 7-10A | |
| 16 | 103822326 | 1 | Relais JR28-25-1316.9-13A | |
| 16 | 103822328 | 1 | Thermorelais 17-25A | |
| 16 | 103822329 | 1 | Thermorelais 23-32A | |
| 17 | 103822300 | 1 | Schütz CJX2-D12-V7 400V | *DE* and VERSION 010400 |
| 17 | 103822310 | 1 | Schütz CJX2-D25-M7 200V *JP* | *JP* |
| 18 | 15792 | 1 | CW Blindniet 4,8x16 x15, 6 A Alu/St | |
| 19 | 909100018 | 1 | CW Sechskantmutter M16x1 ,5 EN 50262 PA | |
| 20 | 909100024 | 1 | CW Würgenippel M25x1,5 ge schlossen grau PVC | |

Relay (b)

DYNAMICS 440M/B1, 840M/B1

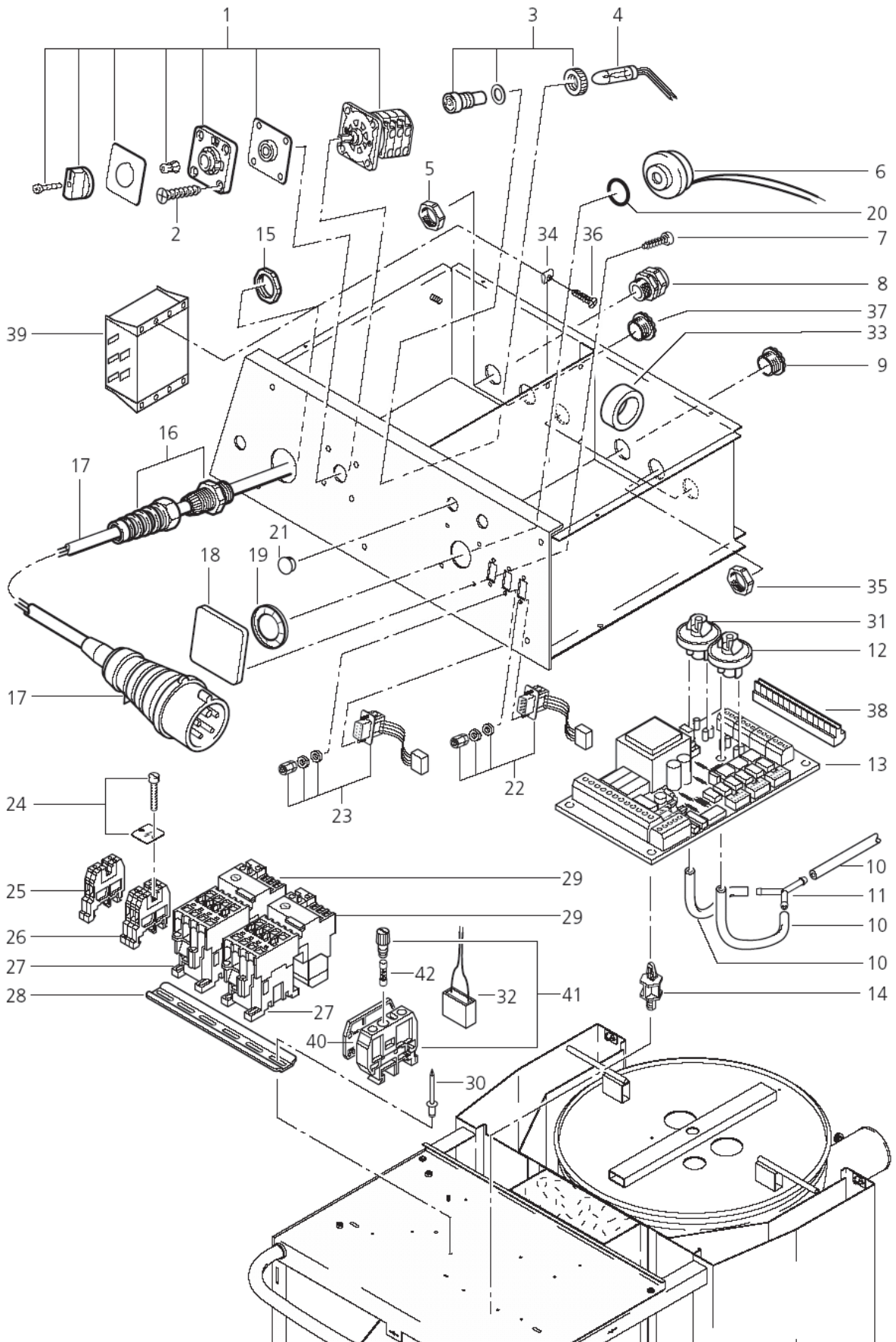
14-10-2012

ET-Liste-Nr.
DYNAM440M16

17

Dynamics

840
440M/B1
840M/B1



Ersatzteile auf www.gluesing.net

Relay (b)

DYNAMICS 440M/B1, 840M/B1

14-10-2012

ET-Liste-Nr.
UYNM44UM16

18

| Pos | Artikelnr. | Me | Beschreibung | |
|-----|------------|----|--|---|
| 1 | 28510 | 1 | Schalter 20 A | |
| 2 | 11253 | 1 | Schraube 5x20 | |
| 3 | 46794 | 1 | Fassung rot | |
| 4 | 54613 | 1 | Signalleuchte,24 Volt,350 mm Litze,sw | |
| 5 | 17345 | 1 | CW Sechskantmutter PG 13, 5 EN 50262 PVC | VERSION 010400 |
| 5 | 909100020 | 1 | CW Sechskantmutter M25x1 ,5 EN 50262 PA | |
| 6 | 107400579 | 1 | Piezo-Piepser (Ersatz f. 48309) | |
| 7 | 8822 | 1 | Blehschraube 3,5x9,5 | |
| 8 | 17349 | 1 | CW Kabelverschraubung PG1 3,5ZUGE. | VERSION 010400 |
| 8 | 64903 | 1 | CW Kabelversch. M25x1,5 Zuge. EN 50262 PA | |
| 9 | 1576 | 1 | KABELTÜLLE KT 21 | VERSION 010400 |
| 9 | 64901 | 1 | CW Kabelversch. M16x1,5 Zuge. EN 50262 PA | |
| 9 | 909100022 | 1 | CW Würgenippel M16x1,5 ge schlossen grau PVC | |
| 10 | 11379 | 1 | Schlauch Ø3x1,5 | PLEASE INDICATE LENGTHS IN METRES WHEN ORDERING |
| 11 | 15125 | 1 | SHL-TueLLE-Y DN 3 PO M | |
| 12 | 41243 | 1 | UNTERDRUCKTASTER 15000 PA | |
| 13 | 107401359 | 1 | ELECTRONIC CTR 400 KIT | |
| 13 | 28534 | 1 | Elektronik Steuerung 400 V | |
| 13 | 65720 | 1 | CONTROL ELECTRONICS FOR DYNAMICS 230V | |
| 14 | 31663 | 1 | CW Printplattenhalter L=4,8/°4/°4,7 PA | |
| 15 | 1762 | 1 | CW Sechskantmutter PG 16 EN 502 | VERSION 010400 |
| 15 | 909100021 | 1 | HEXAGON NUT M32X1.5 | |
| 16 | 11567 | 1 | CW Kabelverschraubung m.K nickschu | VERSION 010400 |
| 16 | 909100016 | 1 | Kabelverschraubung M32x1 ,5 | |
| 17 | 14917 | 1 | LTG Netz H07RN-F 4G1,5x 5 ,0 CEE 5 16A 6h | *DE* |
| 17 | 301000091 | 1 | Netzkabel SOW 4AWG8 x 6,5m | *US* |
| 18 | 48301 | 1 | Abdeckung | |
| 19 | 11267 | 1 | KLEMMRING D24 ZN | |
| 20 | 4456 | 1 | O-Ring 22,0 x 2,0 DIN | |
| 21 | 5423 | 1 | STOPFEN D14 1-3,5SCHW. KU | |
| 22 | 28533 | 1 | Daten-Ltg 300mm 9-pol | |
| 23 | 28532 | 1 | Daten Ltg 300mm 9-pol | |
| 24 | 5115 | 1 | Klemmenabdeckung M4/6 +2 Schr. | |
| 25 | 3817483 | 1 | Reihenklemme Erde WK4 | |
| 26 | 5037 | 1 | CW Reihenklemme-grau 4qm m | |
| 27 | 103822300 | 1 | Schütz CJX2-D12-V7 400V | *DE* 400V/50-60HZ 5,5KW and VERSION 010400 |
| 27 | 103822301 | 1 | Schütz CJX2-D12-B7 24V | *CA* 24V/50-60HZ 5,5KW |
| 27 | 103822313 | 1 | Schütz 24V 12-25 A | *US* 24V/50-60HZ 7,5KW |
| 28 | 22290 | 1 | CW Tragschiene TS35 MeWa gelocht St/zn | PLEASE INDICATE LENGTHS IN METRES WHEN ORDERING |
| 29 | 103822323 | 1 | Thermorelais 4-6A | |
| 29 | 103822324 | 1 | Thermorelais 5,5-8A | |
| 29 | 103822325 | 1 | Thermorelais 7-10A | |
| 29 | 103822326 | 1 | Relais JR28-25-1316.9-13A | |

Relay (b)

DYNAMICS 440M/B1, 840M/B1

14-10-2012

ET-Liste-Nr.
UYNM440M16

19

| Pos | Artikelnr. | Me | Beschreibung | |
|-----|------------|----|--|----------------|
| 29 | 103822328 | 1 | Thermorelais 17-25A | |
| 29 | 103822329 | 1 | Thermorelais 23-32A | |
| 30 | 15792 | 1 | CW Blindniet 4,8x16 x15, 6 A Alu/St | |
| 31 | 40399 | 1 | UNTERDRUCKTASTER 17500 PA | |
| 32 | 29748 | 1 | RC-Entstörglied 24VAC/DC | *CA*US* |
| 32 | 60649 | 1 | Entstörglied RC 400V/15VA | *DE* |
| 33 | 61819 | 1 | Ferritring | |
| 34 | 302000206 | 1 | SPRING NUT | *CA*US* |
| 35 | 909100018 | 1 | CW Sechskantmutter M16x1 ,5 EN 50262 PA | |
| 36 | 6165 | 1 | Schraube Bl- 4,2x13 | *CA*US* |
| 37 | 909100024 | 1 | CW Würgenippel M25x1,5 ge schlossen grau PVC | |
| 38 | 54961 | 1 | Klemm-Steckleiste 12-pol. | *CA*US* 12-PIN |
| 40 | 5039 | 1 | CW Abschlussplatte für Si cherungsklemme | *CA*US* |
| 41 | 5038 | 1 | CW Klemme SI- SAKS 1 | *CA*US* |
| 42 | 20555 | 1 | SI FEIN- T 630MA | *CA*US* |