

# FILTRA VAC

---

Model:  
FILTRA VAC 14  
FILTRA VAC 18



Part List US-English

27-01-2013

**Nilfisk**  
**ALTO**  
works for you

[www.nilfisk-alto.com](http://www.nilfisk-alto.com)

Ersatzteile auf [www.gluesing.net](http://www.gluesing.net)

# Table of Contents

FILTRA VAC

<b>Suction brush =&gt;30.04.2005</b>	<b>3</b>
<b>Motor and cabinet parts =&gt;30.04.2005</b>	<b>6</b>
<b>Hose and nozzles =&gt;30.04.2005</b>	<b>9</b>
<b>Suction brush 01.05.2005=&gt;</b>	<b>11</b>
<b>Motor and cabinet parts 01.05.2005=&gt;</b>	<b>14</b>
<b>Handle 01.05.2005=&gt;</b>	<b>16</b>
<b>Hose and nozzles 01.05.2005=&gt;</b>	<b>18</b>



# Suction brush =>30.04.2005

FILTRA VAC

27-01-2013

Part List ID  
FILTRAVACU2

4

Pos	Part no.	Qty	Description	
1	52094A	1	BRACKETPIVOT W/ INSERT	
2	80071A	1	INSERTLOCKING	
3	52683A	1	COVERBLUE 120V	
4	55664A	1	LAMP GLOW 115V 614E/618E	
5	52681A	1	SWITCH 1 POLE	
6	56859A	1	PIVOT HANDLE	
7	58618A	1	SPRING	
8	58309A	2	SHAFT PIVOT	
9	57951A	2	SCREW 4X20 COMBIVAC	
10	51997A	1	CLAMP STRAIN RELIEF	
11	41966A	1	CORD INTERCONNECT	
12	55805A	1	PEDAL BRUSH HEIGHT	
13	58617A	1	SPRING	
14	53417A	1	SPRING FILTRA	
15	53010A	2	DISCSECURITY 618	
16	52690A	1	HOUSING14 120V	FILTRA VAC 14
16	52692A	1	HOUSING18 120V	FILTRA VAC 18
17	50160A	2	AXLEWHEEL FILTRA	
18	59905A	2	WHEEL REAR	
19	80072A	4	SCREW 4MM X 12MM	
20	57402A	3	ROLLER	
21	51485A	1	BRUSH ASM. COMPLETE 614E	FILTRA VAC 14
21	51486A	1	BRUSH ASM. COMPLETE 618E	FILTRA VAC 18
22	57715A	2	RING RETAINING 614E/618E	
23	31933	2	ROLLER BEARING 608-2Z	
24	50673A	1	BLOCK BEARING LEFT SIDE 614/	
25	57387A	1	RETAINER6/8 BRUSH HOUSING CO	
26	53010A	1	DISCSECURITY 618	
27	53011A	1	SCREWNOZZLE PLATE 618	
28	59886A	2	WASHER SUPPORT FILTRA VAC	
29	57335A	1	ROD LATCH	
30	55668A	1	LENS FILTRA	
31	50570A	1	BREAKER CIRCUIT BRUSH MOTOR	
32	52688A	1	SWITCHINSERT	
33	55705A	1	LATCH FOOT FILTRA 14/18	
34	56402A	1	RAIL STOP	
35	56045A	1	MOUNT INNER BRUSH MOTOR 618	
36	50451A	1	PLATE REINFORCING 614/618	
37	46110A	1	RECTIFIER MOTOR BRUSH	
38	52095A	1	SPACERMOTOR PULLEY	
39	55801A	2	LEVER TENSION	
40	57264A	1	PULLEY DRIVER 614E/618E	
41	56044A	1	MOUNTOUTERBRUSH MOTOR 618	

# Suction brush =>30.04.2005

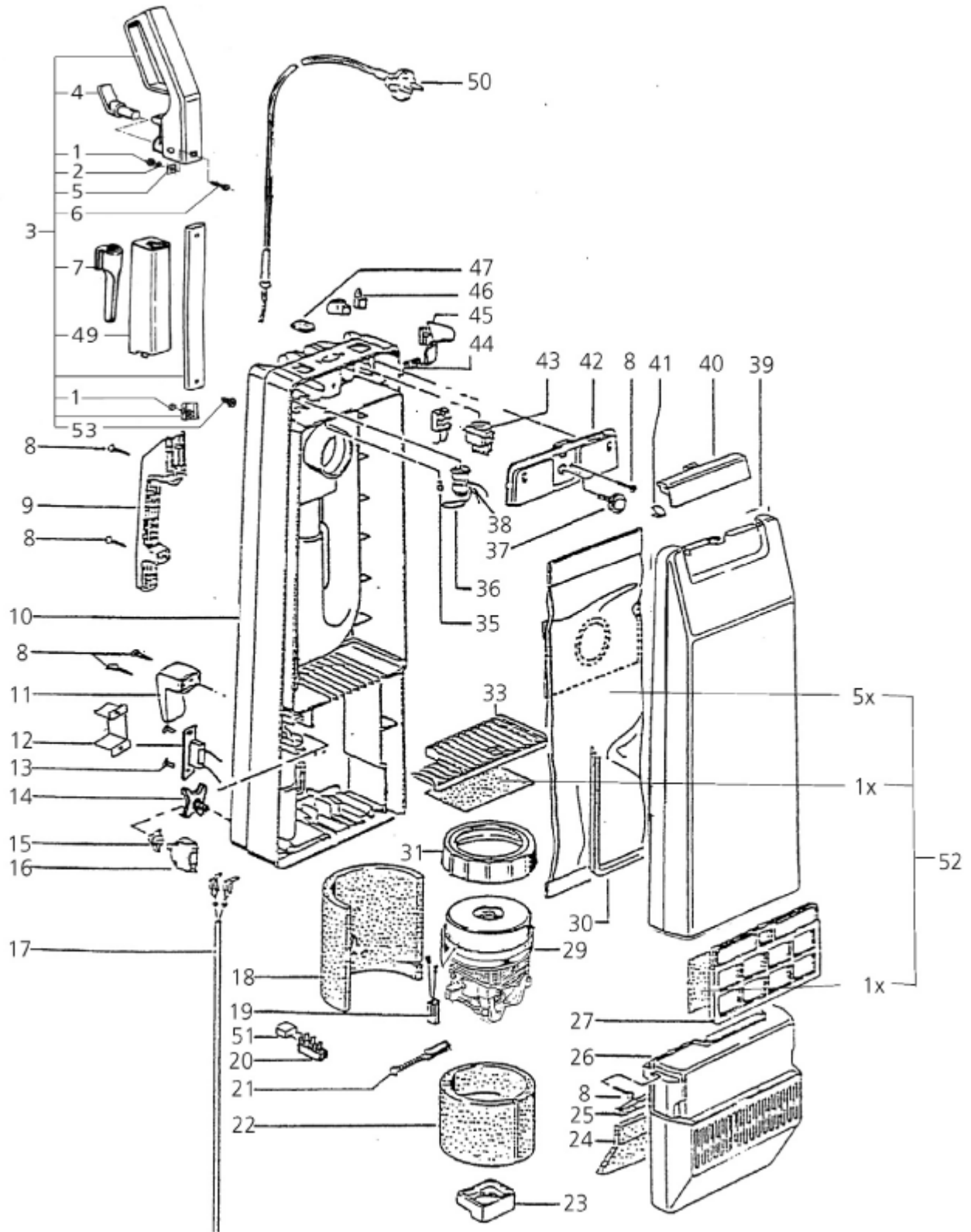
FILTRA VAC

27-01-2013

Part List ID  
FILTRAVAC02

5

Pos	Part no.	Qty	Description	
42	41017A	1	MOTOR BRUSH 230V	230/1/50
42	56056B	1	MOTORBRUSH W/PULLEY 614E 618E	120V
43	51457A	2	BRUSHCARBONBRUSH MOTOR 618	
44	56863A	1	PIN	
45	51603A	1	BUMPER	FILTRA VAC 14
45	51604A	1	BUMPER	FILTRA VAC 18
46	56862A	1	PLATE NOZZLE	FILTRA VAC 18
46	57149A	1	PLATE NOZZLE FILTRA VAC	FILTRA VAC 14
47	50127A	1	AXLE ADJUSTING	
48	56860A	2	PLATE FIXING	
49	50674A	1	BLOCK BEARING RIGHT 614/618	
50	50922A	1	BELTCOGGED FILTRA614E/618E	



# Motor and cabinet parts =>30.04.2005

FILTRA VAC

27-01-2013

Part List ID  
FILTRAVAC04

7

Pos	Part no.	Qty	Description	
1	2760	2	NUT M5 ISO 4032 ZN	
2	7114882	1	SCREW GROWER Ø5	
3	302001926	1	HANDLE WITH SHAFT	
4	52625A	1	CORDHOOK COMBIVAC	
5	5166	1	WASHER 5.3X1.6	
6	8883	1	ROUNDHEAD SQ NECK BOLT M5X20 DIN 603 ZN	
7	29541	1	CREVICE NOZZLE D36X200	
8	57951A	8	SCREW 4X20 COMBIVAC	
9	52903B	1	HANDLECARRYBLACK	
10	52588A	1	CANISTERREAR 120V COMBIVAC	
11	55157B	1	HOLDERCORDANTHRACITE	
12	40056A	1	SOCKET	
14	80068A	2	SCREW THUMB 2PCS	
15	52008A	1	CAP SWITCH	
16	52695A	1	SWITCH 1 POLE	
17	52592A	1	FLATCORD COMBIVAC	
18	54734A	1	INSERT INSULATING	
19	41442A	1	CIRCUIT BREAKERVAC MOTOR115V	
20	50636A	1	BLOCK TERMINAL	
21	40820A	2	BRUSH CARBON VAC MOTOR 120V	
21	40821A	2	BRUSH CARBON VAC MOTOR 230V	
23	52087A	1	ENDCAP VAC MOTOR	
24	53931A	1	FOAM	
25	54361A	1	GASKET COVER MOTOR	
26	52697A	1	BLOWERCOVER 120V	
27	54026A	1	FILTER CASSETTE	
29	40969A	1	MOTOR VAC 120V FILTRA PAC	120 V
29	52598A	1	VACUUM MOTOR 230V COMBIVAC	230 V
30	52622A	1	GASKETCANISTER DOOR	
31	57862A	1	RING BEARING MOTOR	
33	52593A	1	FILTER MOTOR PROTECTION	
36	59302A	1	TUBING	
37	80069A	1	SCREW M5	
38	54735A	1	INDICATOR BAG FULL	
39	52621A	1	CANISTER DOOR COMBIVAC	
40	55715A	1	LATCH TANK GRAY	
41	53408A	1	SPRING	
42	52696A	1	COVERPLATE	
43	47407A	1	SWITCH ROCKER	
44	58693A	1	SPRINGSPIROL 614/618	
45	55658A	1	BARLOCKING 614/618	
46	52923A	1	CLIPRETAINER FILTRA	
47	52779A	1	COVER WASHER	

# Motor and cabinet parts =>30.04.2005

FILTRA VAC

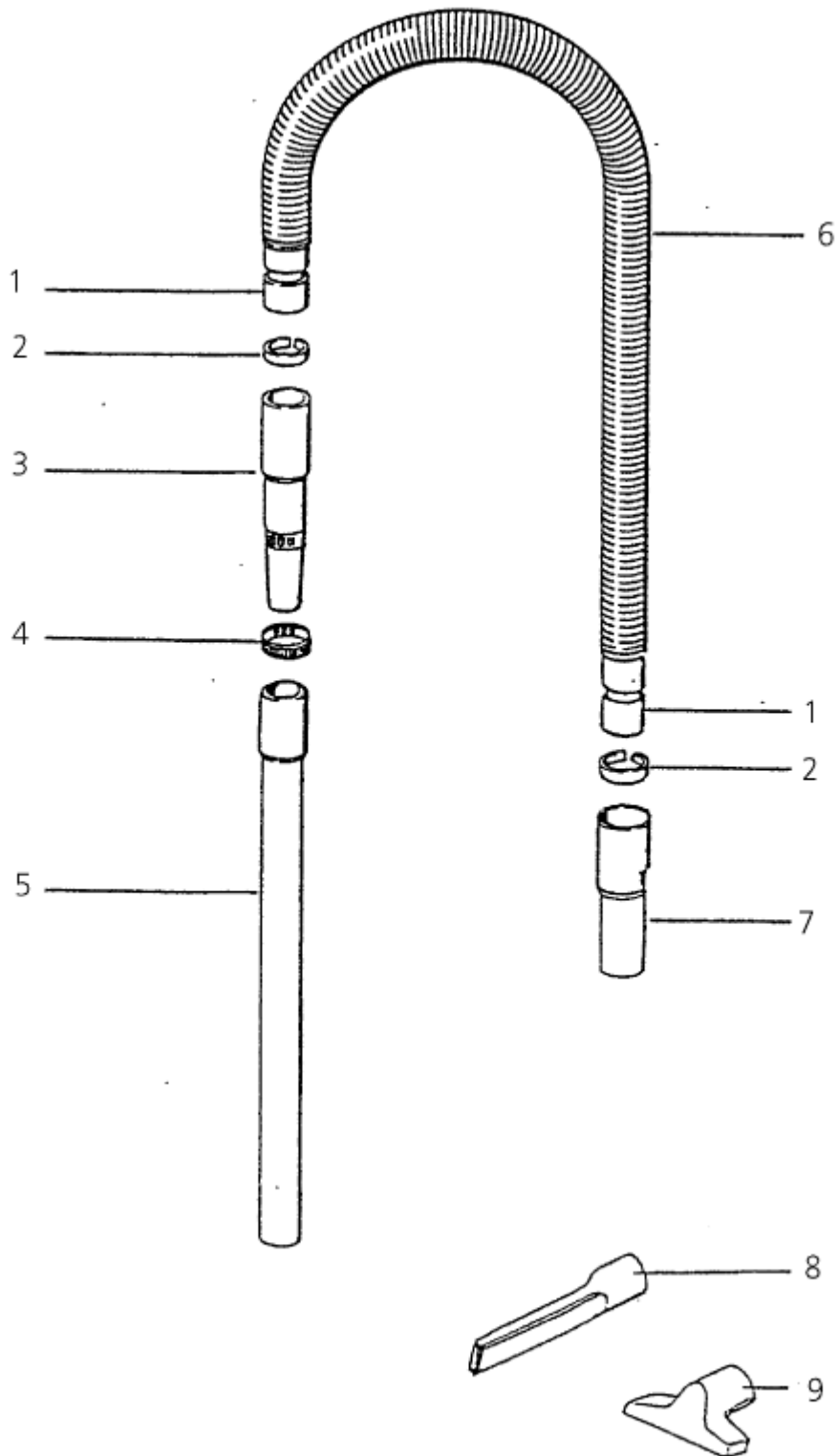
27-01-2013

Part List ID  
FILTRAVACU4

8

Pos	Part no.	Qty	Description
49	55138A	1	HOLDER NOZZLE WITH CLIP
50	302000506	1	WIRE NET H05VV-F 2X0.75X1 *EU*
50	52585A	1	POWER CORD 120V COMBIVAC *US*
51	52922A	1	CONDENSOR230V FILTRA 14/18
52	64895	1	FILTER BAG SET 5+1+1
53	10369	1	SCREW M5X25





# Hose and nozzles =>30.04.2005

FILTRA VAC

27-01-2013

Part List ID  
FILTRAVAC06

10

Pos	Part no.	Qty	Description
1	53054A	2	SWIVEL END HOSE
2	57405A	2	RETAINER SPRING HOSE
3	59318A	1	TUBE HAND
4	57608A	1	REGULATOR SUCTION
5	5142	1	EXTENSION PIPE
6	55141A	1	HOSE SUCTION W/HAND TUBE
7	53075A	1	SOCKETCONNECTING FILTRA VAC
8	29541	1	CREVICE NOZZLE D36X200
9	14295	1	UNIVERSAL NOZZLE D36X115

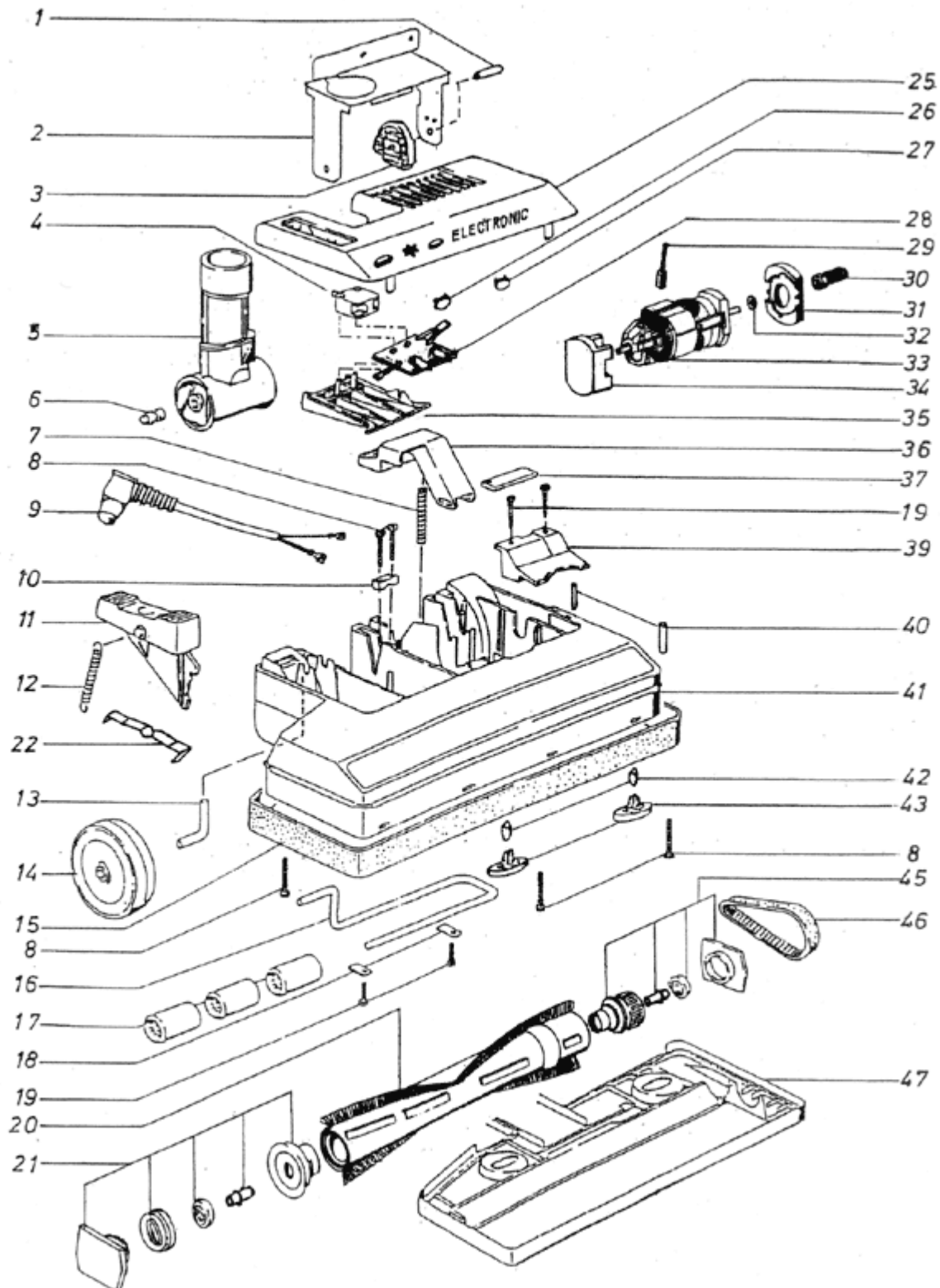
# Suction brush 01.05.2005=>

FILTRA VAC

27-01-2013

Part List ID  
FILTRAVAC08

11



# Suction brush 01.05.2005=>

FILTRA VAC

27-01-2013

Part List ID  
FILTRAVAC08

12

Pos	Part no.	Qty	Description	
1	57335A	1	ROD LATCH	
2	52094A	1	BRACKETPIVOT W/ INSERT	
3	80071A	1	INSERTLOCKING	
4	52681A	1	SWITCH 1 POLE	
5	56859A	1	PIVOT HANDLE	
6	58309A	2	SHAFT PIVOT	
7	58618A	1	SPRING	
8	57951A	2	SCREW 4X20 COMBIVAC	
9	302002955	1	CABLE CONNECTION BLACK	
10	51997A	1	CLAMP STRAIN RELIEF	
11	55805A	1	PEDAL BRUSH HEIGHT	
12	58617A	1	SPRING	
13	302002956	2	AXLE WHEEL	
14	59905A	2	WHEEL REAR	
15	51603A	1	BUMPER	FILTRA VAC 14
15	51604A	1	BUMPER	FILTRA VAC 18
16	50127A	1	AXLE ADJUSTING	
17	57402A	3	ROLLER	
18	56860A	2	PLATE FIXING	
19	80072A	4	SCREW 4MM X 12MM	
20	51485A	1	BRUSH ASM. COMPLETE 614E	FILTRA VAC 14
20	51486A	1	BRUSH ASM. COMPLETE 618E	FILTRA VAC 18
21	302002957	1	BEARING CPL. BRUSH-SIDE	
22	53417A	1	SPRING FILTRA	
25	302002958	1	HOOD CPL. BLUE NILFISK-AL	
26	302002959	1	COVER PLATE GREEN-TRANSP.	
27	55668A	1	LENS FILTRA	
28	302002960	1	ELECTRONICS 230V 0.85 A	
29	302002961	2	CARBON BRUSH 6.4X6.4X14	
30	57264A	1	PULLEY DRIVER 614E/618E	
31	302002962	1	BEARING RING MOTOR BLACK	
32	302002963	1	SUPPORTING DISK 6X12X0.3	
33	302002964	1	MOTOR CPL. 230V	
34	302002965	1	BEARING MOTOR BLACK	
35	52688A	1	SWITCHINSERT	
36	55705A	1	LATCH FOOT FILTRA 14/18	
37	56402A	1	RAIL STOP	
39	50451A	1	PLATE REINFORCING 614/618	
40	56863A	1	PIN	
41	52690A	1	HOUSING14 120V	FILTRA VAC 14
43	55801A	2	LEVER TENSION	
45	302002966	1	BEARING CPL. ENGINE-SIDE	
46	302002967	1	TOOTHED BELT 9 MM	

# Suction brush 01.05.2005=>

FILTRA VAC

27-01-2013

Part List ID  
FILTRAVAC08

13

Pos	Part no.	Qty	Description
47	302002968	1	BASE PLATE CPL. GRAPHITE FILTRA VAC 14
47	302003000	1	BASE PLATE CPL. GRAPHITE

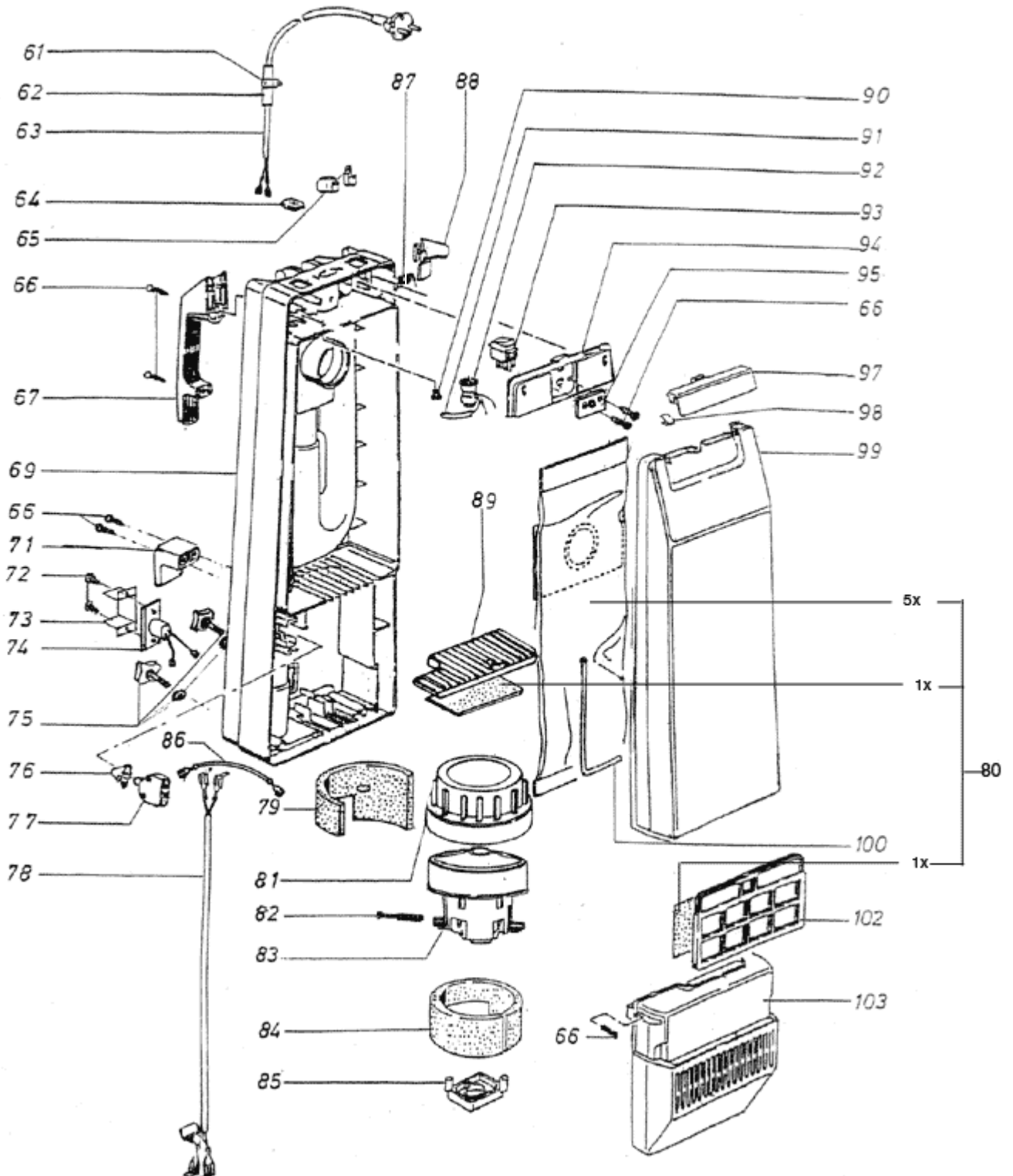
# Motor and cabinet parts 01.05.2005=>

FILTRA VAC

27-01-2013

Part List ID  
FILTRAVAC10

14



# Motor and cabinet parts 01.05.2005=>

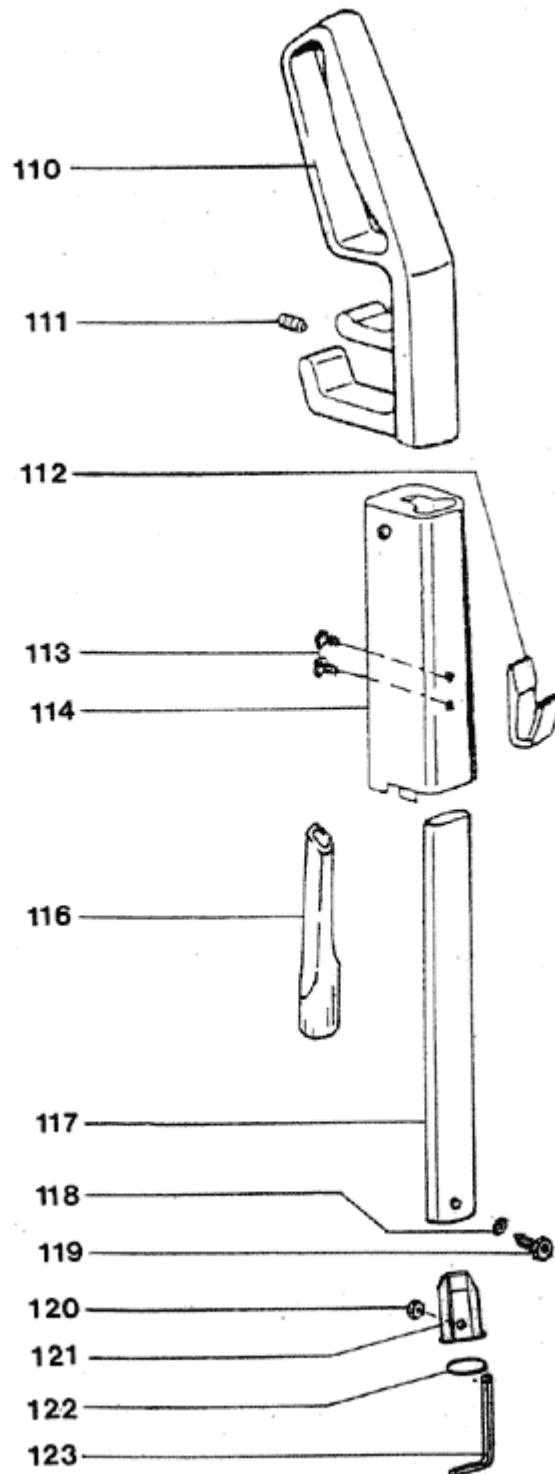
FILTRA VAC

27-01-2013

Part List ID  
FILTRAVAC10

15

Pos	Part no.	Qty	Description
61	302002969	1	CABLE GUIDE ANTHRACITE
62	302002970	1	CABLE BUSHING BLACK
63	302002971	1	POWER COARD 12.5M BLACK *EU*
64	52779A	1	COVER WASHER
65	302002972	1	TIE-CLIP LONG CPL.
65	302002973	1	TIE-CLIP LONG BLACK HOSE-
66	57951A	8	SCREW 4X20 COMBIVAC
67	52903B	1	HANDLECARRYBLACK
69	52588A	1	CANISTERREAR 120V COMBIVAC
71	55157B	1	HOLDERCORDANTHRACITE
73	50848A	1	BRKT.PLUG PROTECTIONCOMBIVAC
74	302002974	1	SOCKET 2-POL. BLACK
75	80068A	1	SCREW THUMB 2PCS
76	52008A	1	CAP SWITCH
77	52695A	1	SWITCH 1 POLE
78	302002975	1	CABLE FLAT CPL. 830MM
79	54734A	1	INSERT INSULATING
80	64895	1	FILTER BAG SET 5+1+1
81	302002976	1	ADAPTER BLACK
82	302002977	2	CARBON BRUSH CPL.
83	302002978	1	MOTOR 230 V
84	302002979	1	INSULATION MOTOR
85	302002980	1	BEARING MOTOR BLACK
87	58693A	1	SPRINGSPIROL 614/618
88	55658A	1	BARLOCKING 614/618
89	52593A	1	FILTER MOTOR PROTECTION
91	59302A	1	TUBING
92	302002981	1	FILLING INDICATOR DUST
93	47407A	1	SWITCH ROCKER
94	52381A	1	COVER PLATE FILTRA PAC
95	302002982	1	PLATE REINFORCING
97	55715B	1	LATCHTANKBLUE
98	53408A	1	SPRING
99	52621A	1	CANISTER DOOR COMBIVAC
100	302002983	1	SEALING CORD D5X970MM
102	54026A	1	FILTER CASSETTE
103	52697A	1	BLOWERCOVER 120V





# Handle 01.05.2005=>

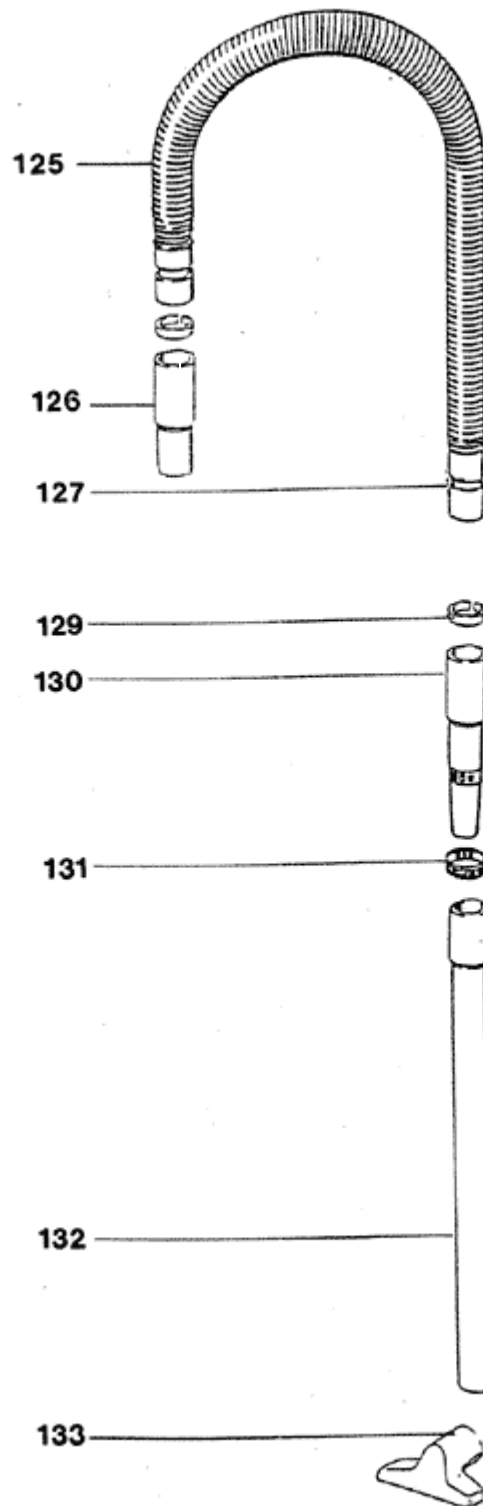
## FILTRA VAC

27-01-2013

Part List ID  
FILTRAVAC12

17

Pos	Part no.	Qty	Description
110	54902A	1	HANDLE
111	302002984	1	GRUBSCREW M6X12
112	302003009	1	NOZZLE CLIP ANTHRACITE
113	302002985	2	PLASTIC SCREW 4X8 LENS-HE
114	302002986	1	HOLDER NOZZLE W. CLIP
116	29541	1	CREVICE NOZZLE D36X200
117	302002987	1	GUIDE PIPE CPL. 405MM
118	302002988	1	LOCK WASHER A5.3 DIN6797
119	302002989	1	SCREW M5X22 HEXAGON SOCKE
119	302002990	1	WASHER 5.3
120	302002991	1	HEXAGON NUT M5
121	302002992	1	PIPE INSERT
122	302002993	1	RETAINING RUBBER
123	302002994	1	HEXAGON SCREW KEY 4MM



# Hose and nozzles 01.05.2005=>

FILTRA VAC

27-01-2013

Part List ID  
FILTRAVAC14

19

Pos	Part no.	Qty	Description
125	302002995	1	SUCTION HOSE 1.2M HAND PI
126	302002996	1	CONNECTING SOCKET BLACK
127	53054A	2	SWIVEL END HOSE
129	57405A	2	RETAINER SPRING HOSE
130	302002997	1	HAND PIPE CPL. BLACK
131	302002998	1	SUCTION REGULATOR BLACK
132	302002999	1	SUCTION TUBE BLACK
133	14295	1	UNIVERSAL NOZZLE D36X115