

# B5

---

Model:  
B5



Part List US-English

08-12-2012

**Nilfisk**  
**ALTO**  
works for you

[www.nilfisk-alto.com](http://www.nilfisk-alto.com)

Ersatzteile auf [www.gluesing.net](http://www.gluesing.net)

# Table of Contents

B5

<b>B5 overview 1</b>	<b>3</b>
<b>B5 overview 2</b>	<b>5</b>
<b>B5 overview 3</b>	<b>7</b>
<b>Support for wash tray &amp; equipment f. Heavy Duty ve</b>	<b>9</b>

# B5 overview 1

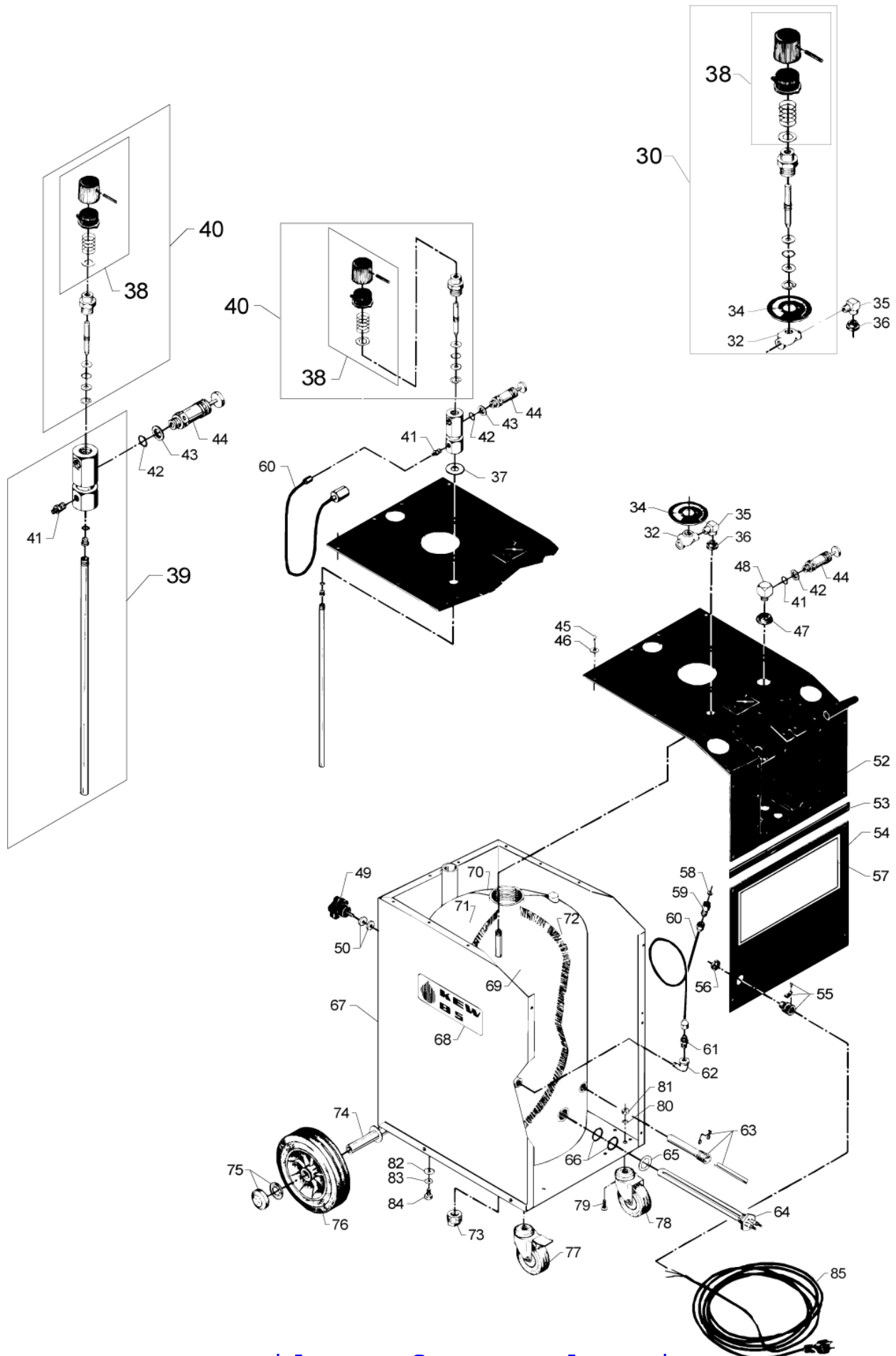
B5

08-12-2012

Part List ID

B502

3



Ersatzteile auf [www.gluesing.net](http://www.gluesing.net)

# B5 overview 1

B5

08-12-2012

Part List ID

B502

4

Pos	Part no.	Qty	Description
30	1117633	1	DOSING VALVE W. DIAL PLATE
32		1	NOTE COMMENT Use kit 1111913, position 30
34	6150692	1	DIAL PLATE
36	3001021	1	GASKET F. OUTLET
37	3000528	1	GASKET Ø 55-29 X 2
38	6008041	1	VALVE HANDLE COMPL.
40	1400811	1	SPINDLE COMPL.
41	1603422	1	THREADED CONNECTION
42	3000064	1	O-RING 14.1X1.6 NITRIL 70SH
43	1801075	1	PACKING RING Ø23.8XØ14.96
55	3800760	1	BRACKET
56	3800786	1	Lock nut DIN46320
58	1602937	1	GASKET F. PRESSURE GAUGE
60	1402858	1	TUBE FOR PRESSURE GAUGE COMPL. B5
60	6220678	1	PRESSURE GAUGE CONNECTION B5R
62	1602150	1	1/4 INCH RG SCREWED CONNECTION
63	3600640	1	SENSOR HOUSING
64	3802592	1	HEAT.ELEM.2000 WATT 220V
65	3000890	1	PACKING RING 27,0X36,0 A DIN
66	3000262	1	O-RING 18.0X2.0 DIN 3770 NBR70
69	1401447	1	PRESSURE TANK B5-KOMP.
73	1601798	1	1 INCH PLUG
75	2003481	2	HUB-CAP D20
77	2011161	1	WHEEL. TURNABLE
78	2012151	1	STEERABLE WHELL WITHOUT BRAKE
80	1801968	8	TOOTHED LOCK WASHER M10 FZB DIN6798
81	1800465	2	NUT M10 DIN 934
82	1800317	3	WASHER 10.5X22.0X1.25 A ISO7090 ZN
83	1800796	3	WASHER M8
84	1802909	3	SCREW M8X16

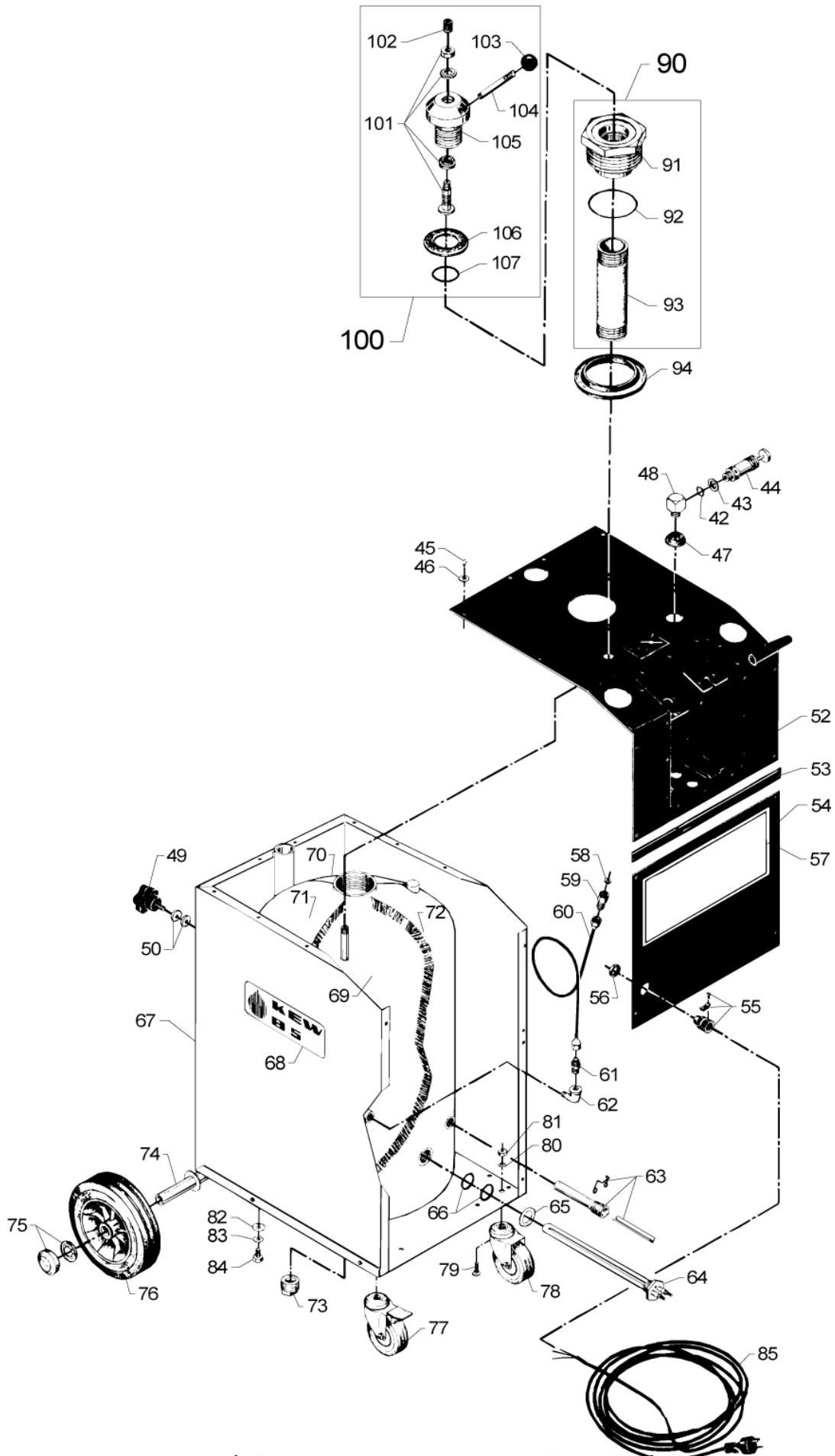
# B5 overview 2

08-12-2012

Part List ID B504

B5

5



Ersatzteile auf [www.gluesing.net](http://www.gluesing.net)

# B5 overview 2

B5

08-12-2012

Part List ID B504

6

Pos	Part no.	Qty	Description	
42	3000064	1	O-RING 14.1X1.6 NITRIL 70SH	
43	1801075	1	PACKING RING Ø23.8XØ14.96	
55	3800760	1	BRACKET	
56	3800786	1	Lock nut DIN46320	
58	1602937	1	GASKET F. PRESSURE GAUGE	
60	1402858	1	TUBE FOR PRESSURE GAUGE COMPL.	B5
60	6220678	1	PRESSURE GAUGE CONNECTION	B5R
62	1602150	1	1/4 INCH RG SCREWED CONNECTION	
63	3600640	1	SENSOR HOUSING	
64	3802592	1	HEAT.ELEM.2000 WATT 220V	
65	3000890	1	PACKING RING 27,0X36,0 A DIN	
66	3000262	1	O-RING 18.0X2.0 DIN 3770 NBR70	
69	1401447	1	PRESSURE TANK B5-KOMP.	
73	1601798	1	1 INCH PLUG	
75	2003481	2	HUB-CAP D20	
77	2011161	1	WHEEL. TURNABLE	
78	2012151	1	STEERABLE WHELL WITHOUT BRAKE	
80	1801968	8	TOOTHED LOCK WASHER M10 FZB DIN6798	
81	1800465	2	NUT M10 DIN 934	
82	1800317	3	WASHER 10.5X22.0X1.25 A ISO7090 ZN	
83	1800796	3	WASHER M8	
84	1802909	3	SCREW M8X16	
91	1601806	1	INSPECTION PLUG 85	
92	107318109	1	O-RING 53.57X3.53 NITRIL 70 SH	
93	1601814	1	FILLING TUBE 85	
94	3000874	1	HAT SLEEVE	
100	1117324	1	FILLING SOCKET COMPLETE	
101	3401817	1	RIM VALVE	
106	3000528	1	GASKET Ø 55-29 X 2	
107	3000502	1	O-RING 28 X 17 X 3.53 NITRIL 70 SH	

# B5 overview 3

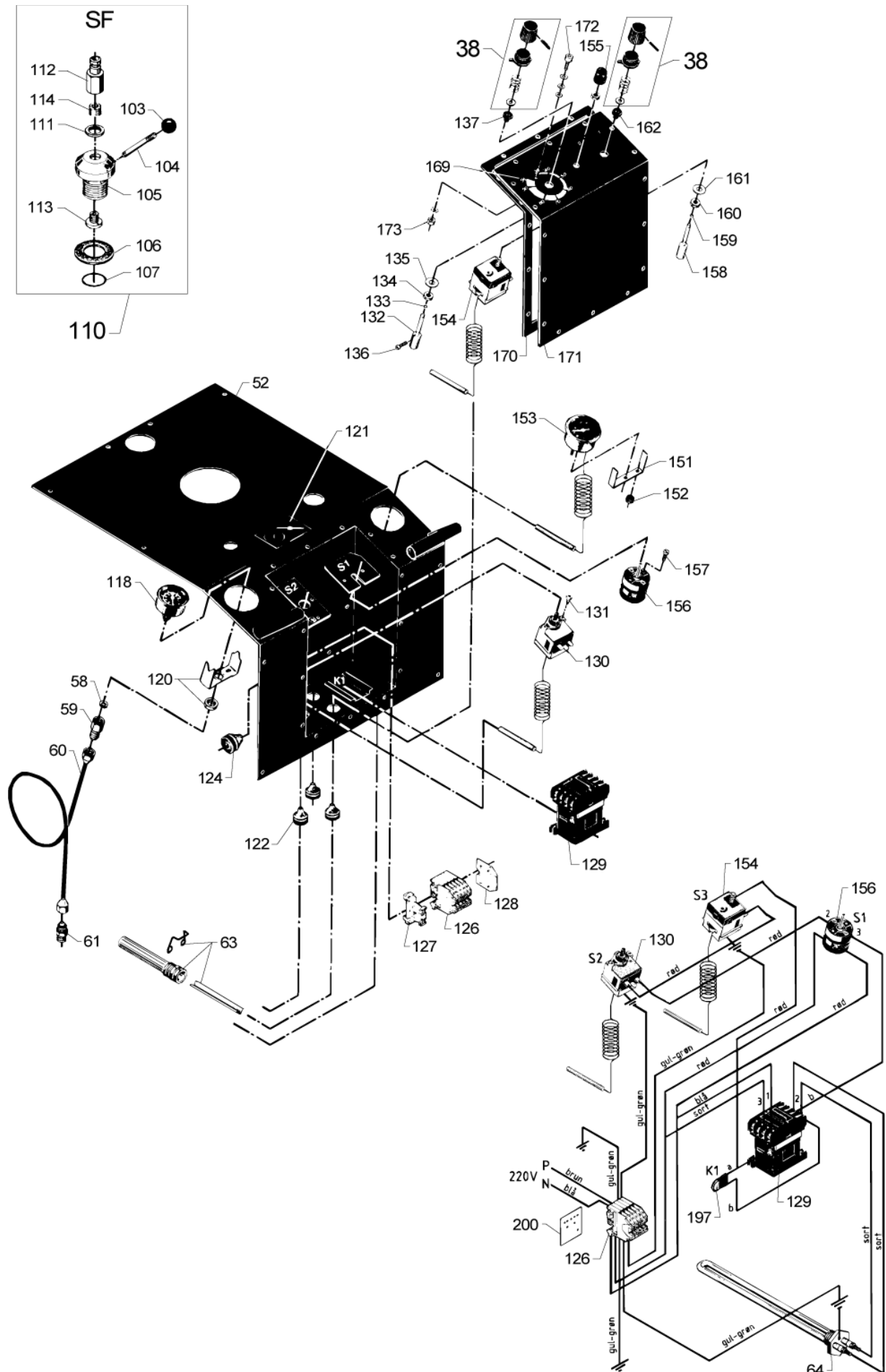
08-12-2012

Part List ID

B506

B5

7



Ersatzteile auf [www.gluesing.net](http://www.gluesing.net)

# B5 overview 3

B5

08-12-2012

Part List ID B506

8

Pos	Part no.	Qty	Description	
111	1801075	1	PACKING RING Ø23.8XØ14.96	SF
118	3600665	1	PRESSURE GAUGE	
122	3803764	3	RUBBER SEAL TET 5-7C	
124	3803780	1	GROMMET 10-14C	
126	3807518	5	WIRE TERMINAL	
127	3805249	2	END BRACKET	
128	3807526	2	ENDPLATE	
129	103822304	1	CONTACTOR CJX2-D18 18A 230V 3P+NO	CA3-16-10,190V/50HZ
129	103822311	1	CONTACTOR CJX2-D25-F7 110V	CA3-23-10,110V/60HZ
129	3804010	1	CONTACTOR COMPL. CA3-16-10	CA3-16-10,220V/50HZ
129	3804135	1	CONTACTOR CA3-23-10	CA3-23-10,110V/50HZ,127V/60HZ
130	3800430	1	THERMOSTAT	SF
131	1800391	2	CAP SCREW M4X6 ISO 7985 ZN	
132	3200425	1	SHAFT FOR SELECTOR SWITCH	
133	3000387	1	O-RING 3.1 X 1.6 SMS	
134	1801026	1	LOCK NUT M10 X 1	
135	1800317	1	WASHER 10.5X22.0X1.25 A ISO7090 ZN	
136	1801018	1	CYLINDER SCREW M4X8 ISO 4762 ST 8.8/ZN	
153	3601135	1	THERMOMETER C71-D52 BLACK	
154	3801958	1	SUPER HEATING THERMOSTAT	
156	3800422	1	SELECTOR SWITCH	
157	1801729	2	SCREW M4 X 12	
159	3000387	1	O-RING 3.1 X 1.6 SMS	
160	1801026	1	LOCK NUT M10 X 1	
161	1800317	1	WASHER 10.5X22.0X1.25 A ISO7090 ZN	
172	1801018	1	CYLINDER SCREW M4X8 ISO 4762 ST 8.8/ZN	
173	2759	1	HEXAGON NUT M4	
198	1803329	3	CABLE BINDER BLACK	
200	6100101	1	CABLE CLIP	



# Support for wash tray & equipment f. Heavy Duty

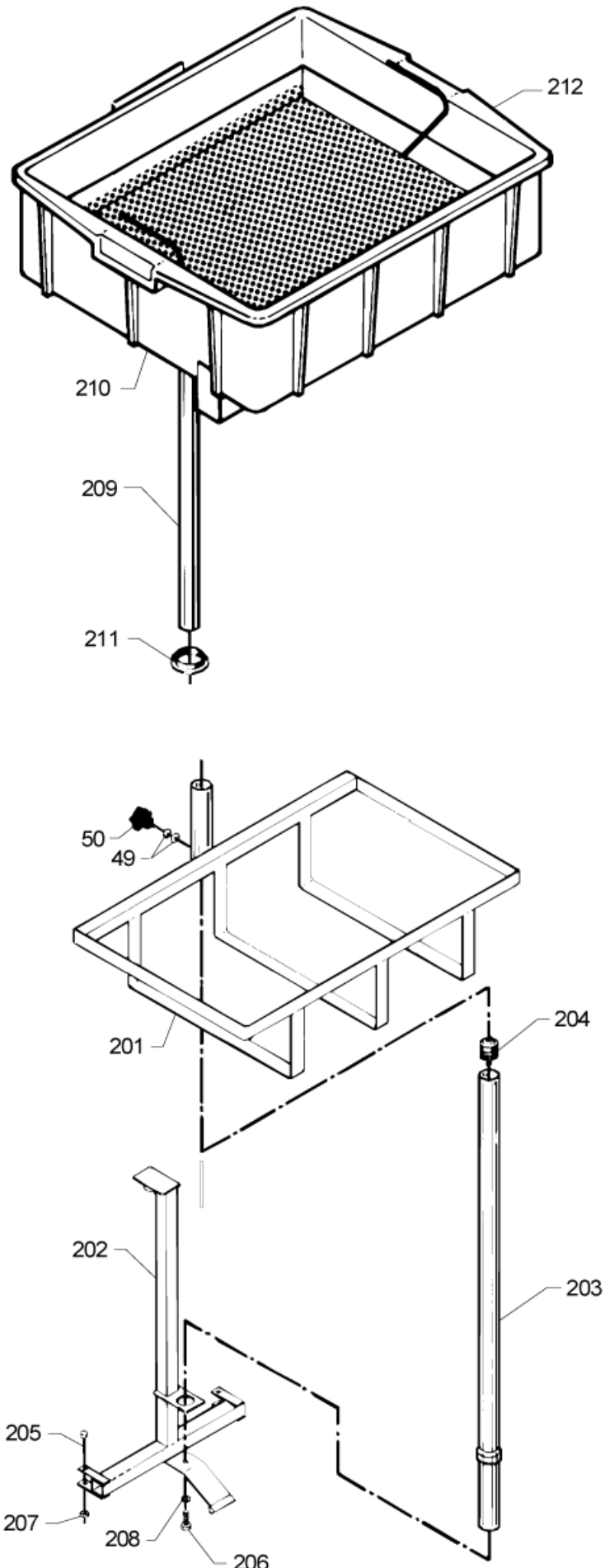
08-12-2012

Part List ID

B508

B5

9



Ersatzteile auf [www.gluesing.net](http://www.gluesing.net)

# Support for wash tray & equipment f. Heavy Dut

B5

08-12-2012

Part List ID

B508

10

Pos	Part no.	Qty	Description
206	1802305	1	SCREW M10X16
207	1805399	2	LOCK NUT W. NYLONRING M6 A2
208	1800309	1	LOCK WASHER
210	4600193	1	WASTE WATER TRAY
210	6400500	1	TRAY F. LORRY EQUIPMENT B5L
211	3000882	1	SLEEVE F. SLIDE TUBE 3000544
212	2013100	1	BASKET FOR WATER TRAM
212	2013118	1	NO LONGER AVAILABLE B5L