

# SCRUBTEC 8, 866-871-871C-886

---

Model:

SCRUBTEC 866

SCRUBTEC 871

SCRUBTEC 871C

SCRUBTEC 886

SCRUBTEC BOOST 8



Stückliste Deutsch

14-09-2012

**Nilfisk**  
**ALTO**  
works for you

[www.nilfisk-alto.com](http://www.nilfisk-alto.com)

Ersatzteile auf [www.gluesing.net](http://www.gluesing.net)

# Inhalt

SCRUBTEC 8, 866-871-871C-886

<b>Solution Tank Assembly</b>	<b>3</b>
<b>Recovery Tank Assembly</b>	<b>5</b>
<b>Handle Assembly, Disc and BOOST Models</b>	<b>7</b>
<b>Handle Assembly, Cylindrical Model</b>	<b>9</b>
<b>Electrical Box Assembly</b>	<b>11</b>
<b>Squeegee Holder Assembly</b>	<b>13</b>
<b>Squeegee Assembly, 32,5" - SCRUBTEC 866</b>	<b>15</b>
<b>Squeegee Assembly, 35" - 871, 871C and BOOST 8</b>	<b>17</b>
<b>Squeegee Assembly, 41" - SCRUBTEC 886</b>	<b>19</b>
<b>Frame Assembly</b>	<b>21</b>
<b>Brush Head Assembly, 866</b>	<b>24</b>
<b>Brush Head Assembly, 871</b>	<b>26</b>
<b>Brush Head Assembly, 886</b>	<b>28</b>
<b>Brush Head Assembly Boost 8</b>	<b>30</b>
<b>Brush Head Assembly, 871 C</b>	<b>33</b>
<b>Chemical Mixing Kit</b>	<b>36</b>
<b>EMPFOHLENE ERSATZTEILE</b>	<b>38</b>
<b>Zubehör 1</b>	<b>41</b>
<b>Zubehör 2</b>	<b>43</b>
<b>56380210/56380211 - Flex Plate 28/32 Kit</b>	<b>45</b>
<b>11363A - Chemical Mixing System</b>	<b>47</b>

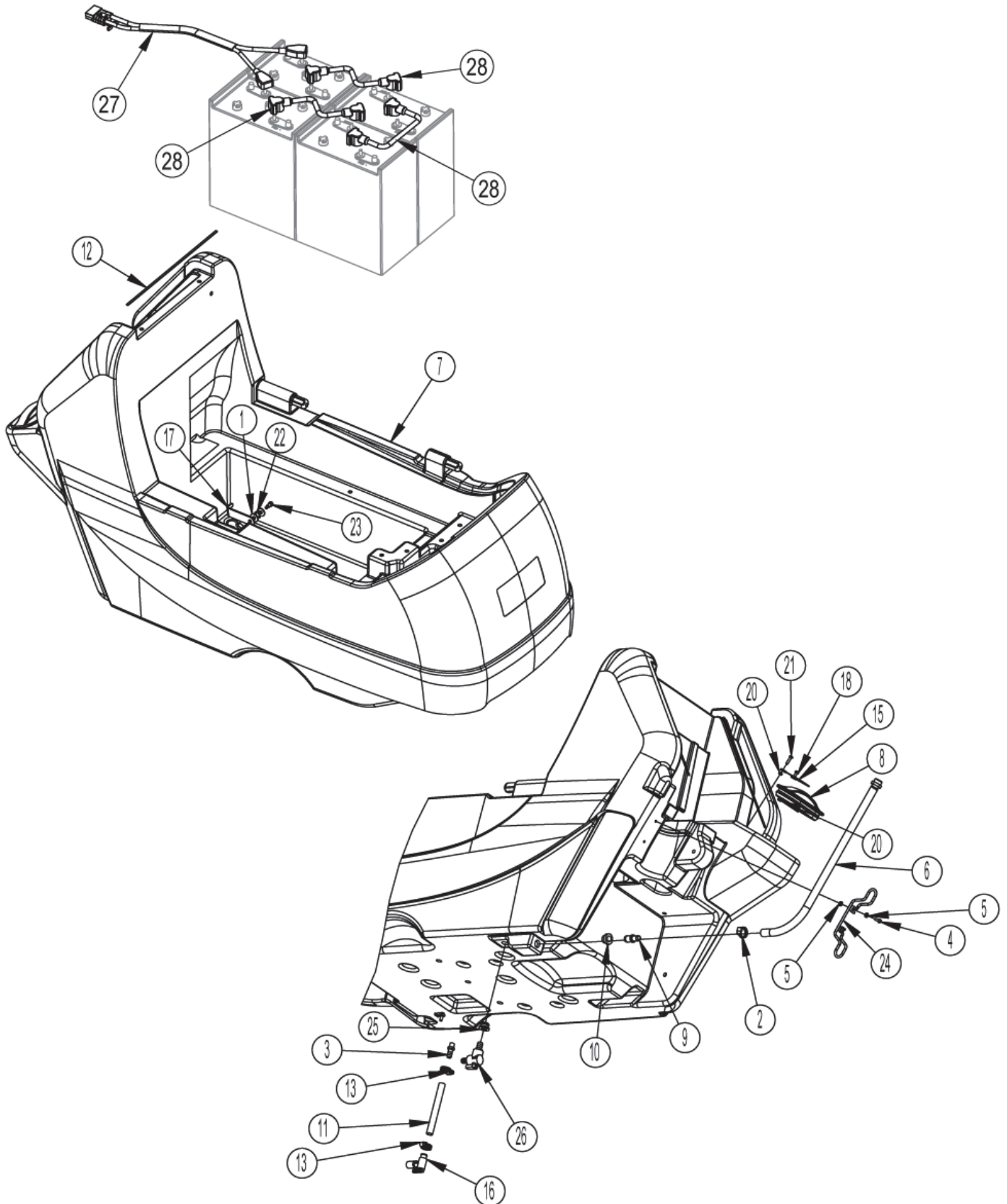
# Solution Tank Assembly

SCRUBTEC 8, 866-871-871C-886

14-09-2012

ET-Liste-Nr.  
SCRUB801

3



Ersatzteile auf [www.gluesing.net](http://www.gluesing.net)

# Solution Tank Assembly

SCRUBTEC 8, 866-871-871C-886

14-09-2012

ET-Liste-Nr.  
SCRUB801

4

Pos	Artikelnr.	Me	Beschreibung
1	170860	2	WASHER FLT 5/16 PLTD
2	722030	1	Schlauschelle Nr. 6
3	820207	1	ADAPTOR
4	964004	2	SCREW M5X16 PN ST PH
5	980643	4	7/16ODX.036THK Unterlegsc heibe
6	30792A	1	Schlauch, Frischwasser
7	30796A	1	TANK SOLUTION
8	30804A	1	Deckel Frischwassertank
9	30882A	2	CONNECTOR
10	31242A	2	Buchse (für .62 Außen-Ø)
11	34704A	1	Schlauch, Bürste
12	39887A	3	Dichtung 15.50 Bedientafel
13	50248A	2	Schlauschelle 3/8
14	52548A	1	Schraube TAB 1/4
15	54773A	1	LANYARD Band/ Schleife
16	59614A	1	Ablassventil, Batterie
17	61930A	1	ROD RECOVERY TANK PROP
18	80176A	1	Schraube M5x12 VA
19	80179A	1	SCREW M6 1 X 16MM PHD PH SS
20	80196A	2	NUT M5 0.8 HEX NYLON INSERT
21	80205A	1	SCREW M5 .8 X 20MM P.P.HD
22	80317A	1	WASHER BOWED .455 ID X .740 OD
23	88630A	1	SCREW SHOULDER M6 1.0 X8X10MM
24	909 5149 000	1	Halter
25	909 5286 000	1	Dichtung f. Frischwasser- schlauch
26	9097028000	1	Ventilbogen
27	56381850	1	Kabelband Batterie
28	56381852	3	CABLE BATT 16 UNIV POST
NS	71496A	1	Aufkleber Nilfisk-ALTO

NS = Not Show n

Ersatzteile auf [www.gluesing.net](http://www.gluesing.net)

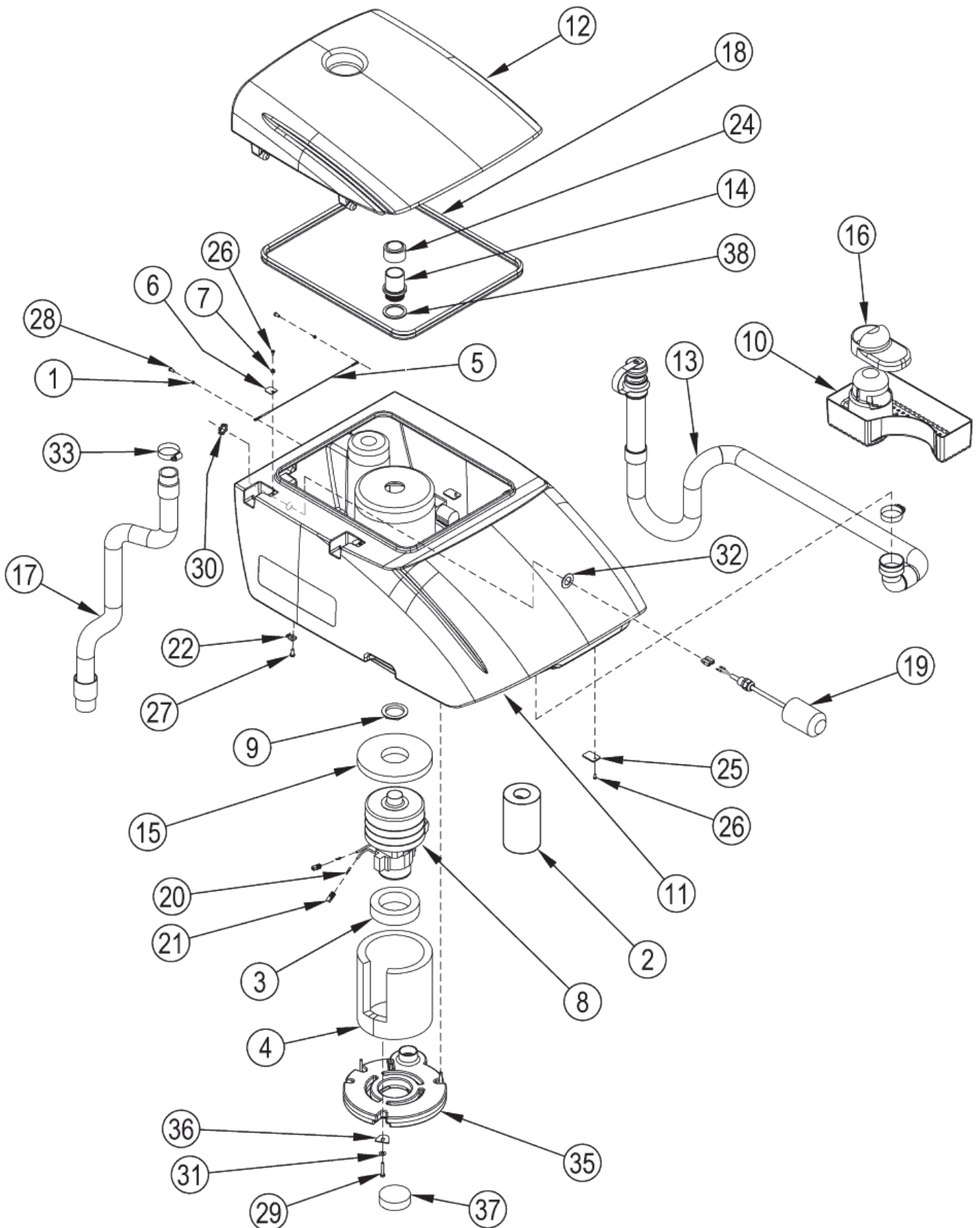
# Recovery Tank Assembly

SCRUBTEC 8, 866-871-871C-886

14-09-2012

ET-Liste-Nr.  
SCRUB803

5



Ersatzteile auf [www.gluesing.net](http://www.gluesing.net)

# Recovery Tank Assembly

SCRUBTEC 8, 866-871-871C-886

14-09-2012

ET-Liste-Nr.  
SCRUB803

6

Pos	Artikelnr.	Me	Beschreibung
1	56151092	2	Bushing
2	909 6442 000	1	Geräuschkämmung f. Ansaugrohr
3	909 6490 000	1	Dichtung
4	909 6491 000	1	Panel, schalldämpfend
5	909 6634 000	1	Deckelsicherung
6	909 6643 000	2	Plättchen
7	909 6679 000	1	Dichtflansch
8	9097466000	1	Vacuummotor Kit
9	185USP	1	NUT DIE CAST ALUM 1 1/2 N
10	30791A	1	Grobschmutzsieb
11	30797A	1	TANK RECOVERY
12	30798A	1	LID RECOVERY TANK
13	30799A	1	Ablassschlauch
14	30805A	1	Rohr
15	30823A	1	Korb Saugmotor
16	30827A	1	Deckel, Grobschmutzsieb
17	30832A	1	Saugschlauch
18	39718A	1	Dichtung, Schmutz- wassertankdeckel
19	40002A	1	Schwimmerschalter elektri sch
20	41809A	2	Steckkontakt
21	43401A	2	Steckergehäuse (schwarz)
22	52548A	2	Schraube TAB 1/4
23	53371A	2	Klammer f. Schlauch Schmutzwassertank
24	58069A	1	Filter fuer Vacuumrohr " ENCORE 20"
25	60367A	2	Halteplatte
26	80057A	4	Schraube M4.7x10 PN SS
27	80208A	2	Schraube M6x1,0 x 10mm
28	80363A	2	Schraube M5.8x12 BT
29	80410A	3	SCREW M6 1 X 35MM HEX ZINC
30	82100A	1	Sicherungsmutter, 1/2" Rohr
31	87026A	3	Scheibe .250 VA
32	87612A	1	Dichtung, Scheibe, 1700 BT II
33	54774A	2	Schlauchschele
34	699202	2	Band, Draht 935A
35	909 6051 000	1	Abdeckhaube f. Motor
36	909 6638 000	3	PLATE VACUUM COVER
37	909 6672 000	1	Filter
38	187B	1	WASHER FLAT 1 3/4 ID X 2 1
NS	71447A	2	Aufkleber SCRUBTEC 866
NS	71448A	2	Etikett
NS	71449A	2	LABEL SCRUBTEC 871 C
NS	71450A	2	Label SCRUBTEC 886 Beschriftung SCRUBTEC 886
NS	71451A	2	LABEL SCRUBTEC BOOST 8

NS = Not Show n

Ersatzteile auf [www.gluesing.net](http://www.gluesing.net)

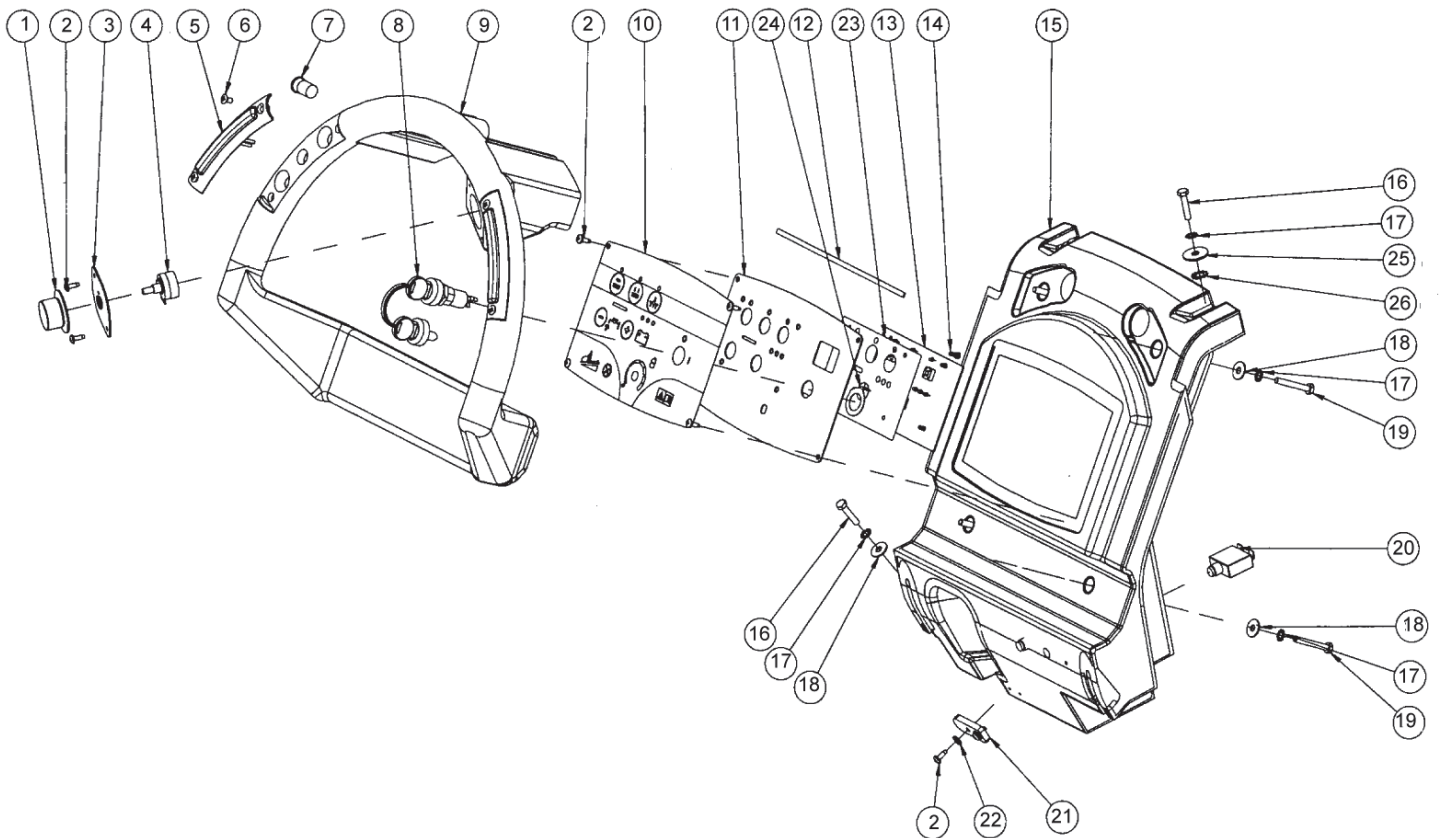
# Handle Assembly, Disc and BOOST Mode

SCRUBTEC 8, 866-871-871C-886

14-09-2012

ET-Liste-Nr.  
SCRUB805

7



# Handle Assembly, Disc and BOOST Models

SCRUBTEC 8, 866-871-871C-886

14-09-2012

ET-Liste-Nr.  
SCRUBBUS

8

Pos	Artikelnr.	Me	Beschreibung
1	50962A	1	Bedienknopf
2	962957	10	Schraube Nr. 10-16X 1/2 PN ST HI-LO
3	61922A	1	PLATE POTENTIOMETER
4	41078A	1	Kabelbaum, Traverse
5	11131A	2	Handflächenschalter
6	80192A	4	Schraube M5x0,8 x 16mm
7	52556A	1	Tastenschalter "rückwärts" 36V
8	146 2887 000	1	Kontaktschlüssel 2 Stk replacement key
8	146 2888 000	1	Schlüsselschalter mit Kappe
9	30785A	1	HANDLE CONTROL
10	71425A	1	Aufkleber, Bedienelement SEE TSB--CL 2010--33
11	61929A	1	Bedienfeld
12	39886A	1	GASKET 13.50 CONSOLE PANEL
13	41067A	1	Platine, Bedienelement
13	56382501	1	FUNCTION BOARD SERVICE KIT
14	50267A	4	SCREW 8 32 X 3/8 NYLON
15	30784A	1	HOUSING CONTROL
16	87902A	4	Schraube 6mmx1.00x30mm
17	980614	8	U-Scheibe
18	87007A	6	Scheibe - Exzenter- steuerwelle
19	88628A	4	SCREW M6 1 X 45MM HEX
20	41431B	2	Schutzschalter 35A thermi sch
21	39888A	1	RETAINER DRAIN HOSE
22	980643	2	7/16ODX.036THK Unterlegsc heibe
23	30831A	1	INSULATOR MYLAR
24	61948A	1	WASHER TAB GROUND
25	980205	2	Scheibe
26	980666	2	Klemmring 3/8" (ø10)
NS	41063A	1	HARNESS KEY SWITCH
NS	56469382	1	TERM. 250 INS. TAB

NS = Not Show n

Ersatzteile auf [www.gluesing.net](http://www.gluesing.net)



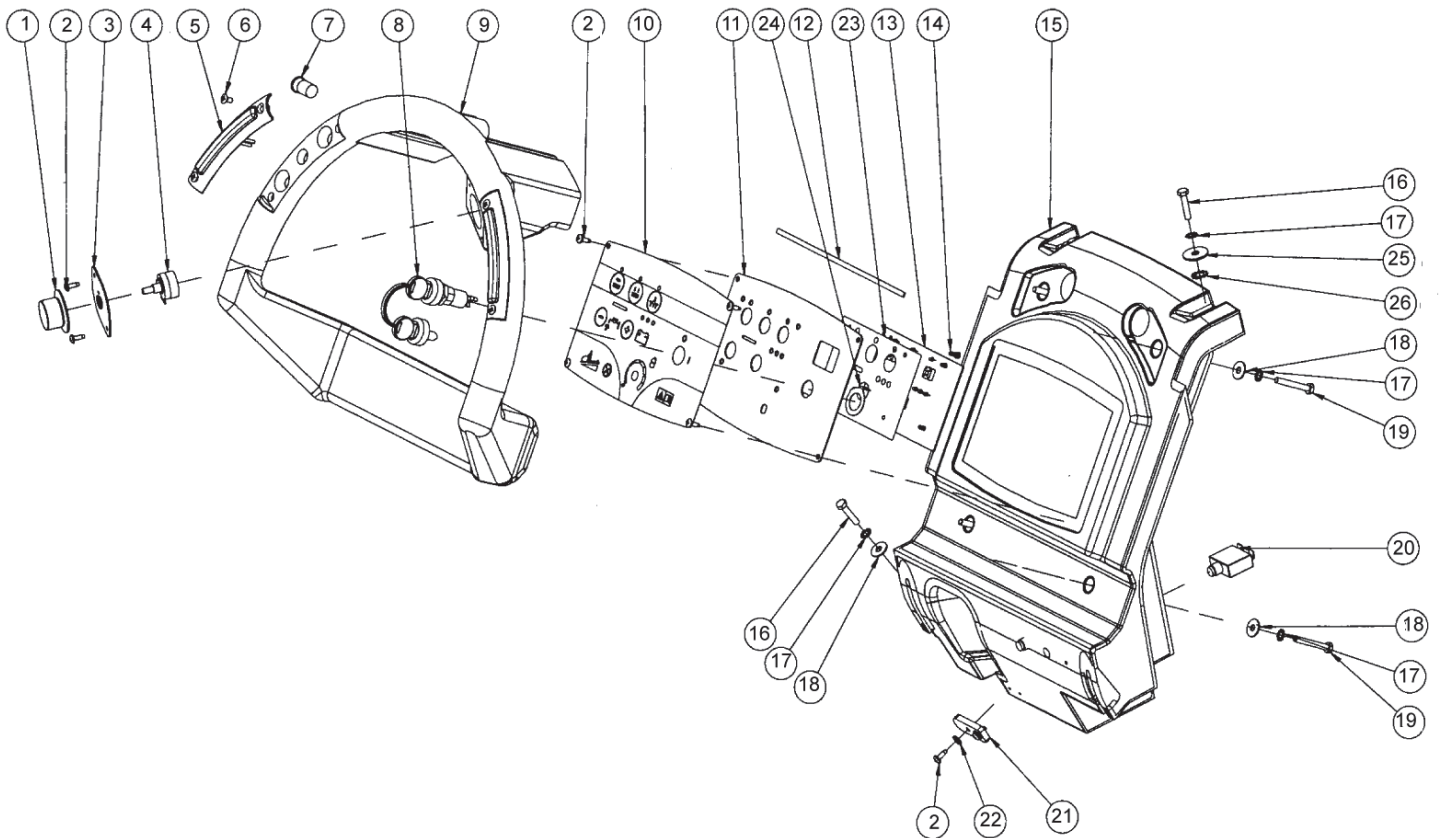
# Handle Assembly, Cylindrical Model

SCRUBTEC 8, 866-871-871C-886

14-09-2012

ET-Liste-Nr.  
SCRUB807

9



# Handle Assembly, Cylindrical Model

SCRUBTEC 8, 866-871-871C-886

14-09-2012

ET-Liste-Nr.  
SCRUB807

10

Pos	Artikelnr.	Me	Beschreibung
1	50962A	1	Bedienknopf
2	962957	10	Schraube Nr. 10-16X 1/2 PN ST HI-LO
3	61922A	1	PLATE POTENTIOMETER
4	41078A	1	Kabelbaum, Traverse
5	11131A	2	Handflächenschalter
6	80192A	4	Schraube M5x0,8 x 16mm
7	52556A	1	Tastschalter "rückwärts" 36V
8	146 2888 000	1	Schlüsselschalter mit Kappe
9	30785A	1	HANDLE CONTROL
10	71484A	1	LABEL CONTROL PANEL CYL
11	61929A	1	Bedienfeld
12	39886A	1	GASKET 13.50 CONSOLE PANEL
13	41067A	1	Platine, Bedienelement
13	56382501	1	FUNCTION BOARD SERVICE KIT
14	50267A	4	SCREW 8 32 X 3/8 NYLON
15	30784A	1	HOUSING CONTROL
16	87902A	4	Schraube 6mmx1.00x30mm
17	980614	8	U-Scheibe
18	87007A	6	Scheibe - Exzenter- steuerwelle
19	88628A	4	SCREW M6 1 X 45MM HEX
20	41422B	2	Schutzschalter, 25A SCR. 90 Grad
21	39888A	1	RETAINER DRAIN HOSE
22	980643	2	7/16ODX.036THK Unterlegsc heibe
23	30831A	1	INSULATOR MYLAR
24	61948A	1	WASHER TAB GROUND
25	980205	2	Scheibe
26	980666	2	Klemmring 3/8" (ø10)
NS	41063A	1	HARNESS KEY SWITCH
NS	56469382	1	TERM. 250 INS. TAB

NS = Not Show nn

Ersatzteile auf [www.gluesing.net](http://www.gluesing.net)

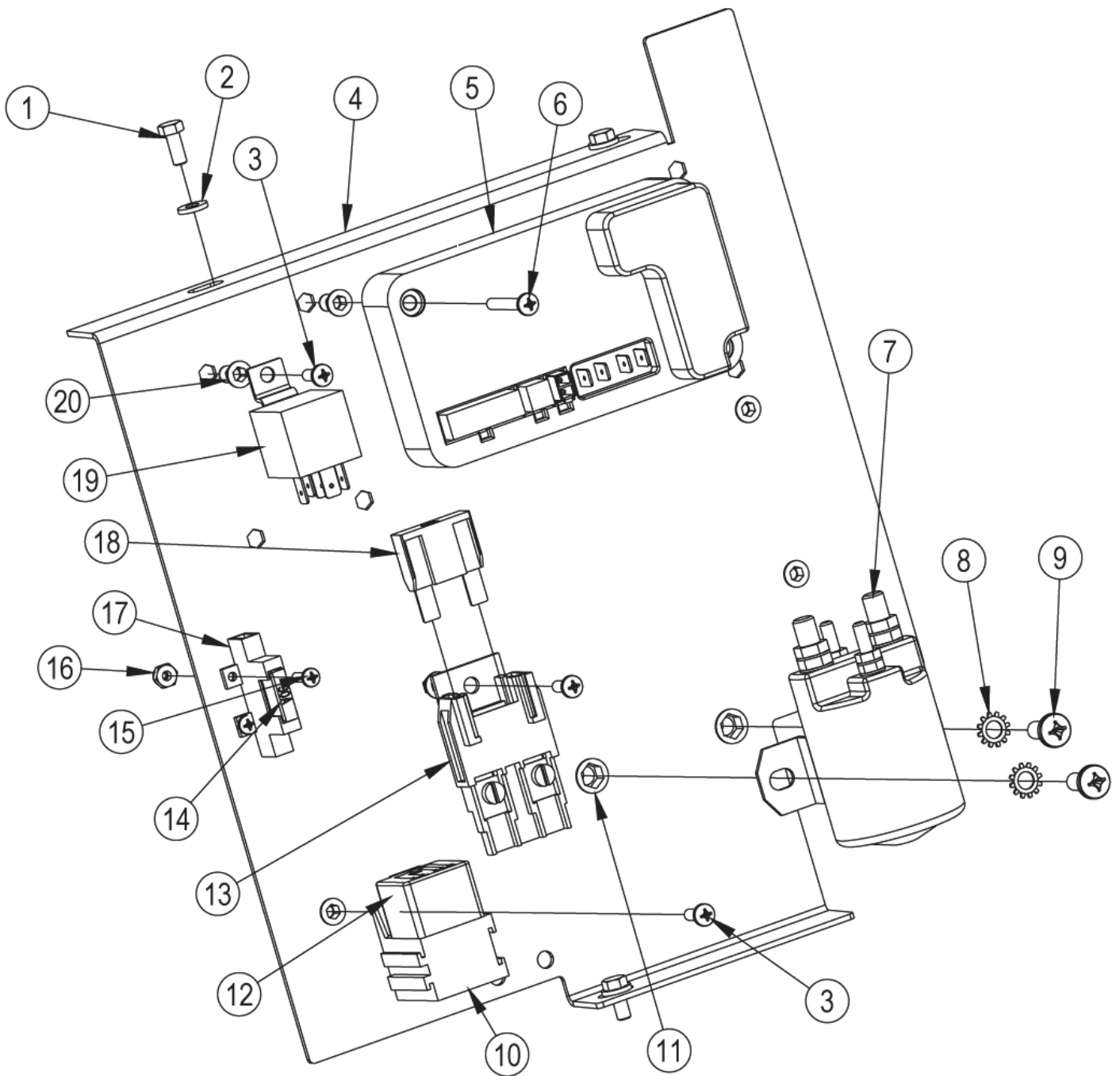
# Electrical Box Assembly

SCRUBTEC 8, 866-871-871C-886

14-09-2012

ET-Liste-Nr.  
SCRUB809

11



# Electrical Box Assembly

SCRUBTEC 8, 866-871-871C-886

14-09-2012

ET-Liste-Nr.  
SCRUB809

12

Pos	Artikelnr.	Me	Beschreibung	
1	80249A	3	6-kantschraube M5x0,8x12 VA	
2	980643	3	7/16ODX.036THK Unterlegsc heibe	
3	962027	3	Flachkopfschraube 8-32 X 1/2	
4	61933A	1	PLATE ELECTRICAL	
5	41068B	1	Steuergerät	
6	80380A	2	SCREW 8 32 X 1 1/4 PH	
7	56412179	1	Schütz 24V. Gleichstrom (f.BR700)	
8	980614	2	U-Scheibe	
9	85391A	2	Schraube 1/4-20X5/8 PN SY	
10		1	NOTE COMMENT	Relay Holder included in 41061A Harness
11	54764A	2	INSERTHEX1/4 20 UNC ENCORE	
12	41075A	1	Relais Saugmotor	(Vacuum)
13		1	NOTE COMMENT	Fuse Holder included in 41061A Harness
14	41073A	1	Sicherung 30A, Saugmotor	(Vacuum / see WARNING below)
15	962979	2	Schrauben 32X 1/2	
16	920056	2	Mutter 6x32	
17		1	NOTE COMMENT	Fuse Holder included in 41061A Harness
18	41074A	1	Sicherung 60A	(Traverse Motor / see WARNING below)
19	41069B	1	Relais	
20	54763A	7	INSERTHEX 8 32 UNC ENCORE	
NI	41061A	1	Kabelbaum Maschine	Harness, Machine
NI	41065B	1	Traverse f. Kabelbaum	Harness Traverse

WARNING: To reduce the risk of fire, when replacing fuse, replace only with same type and rating of fuse that comes with machine.

Ersatzteile auf [www.gluesing.net](http://www.gluesing.net)

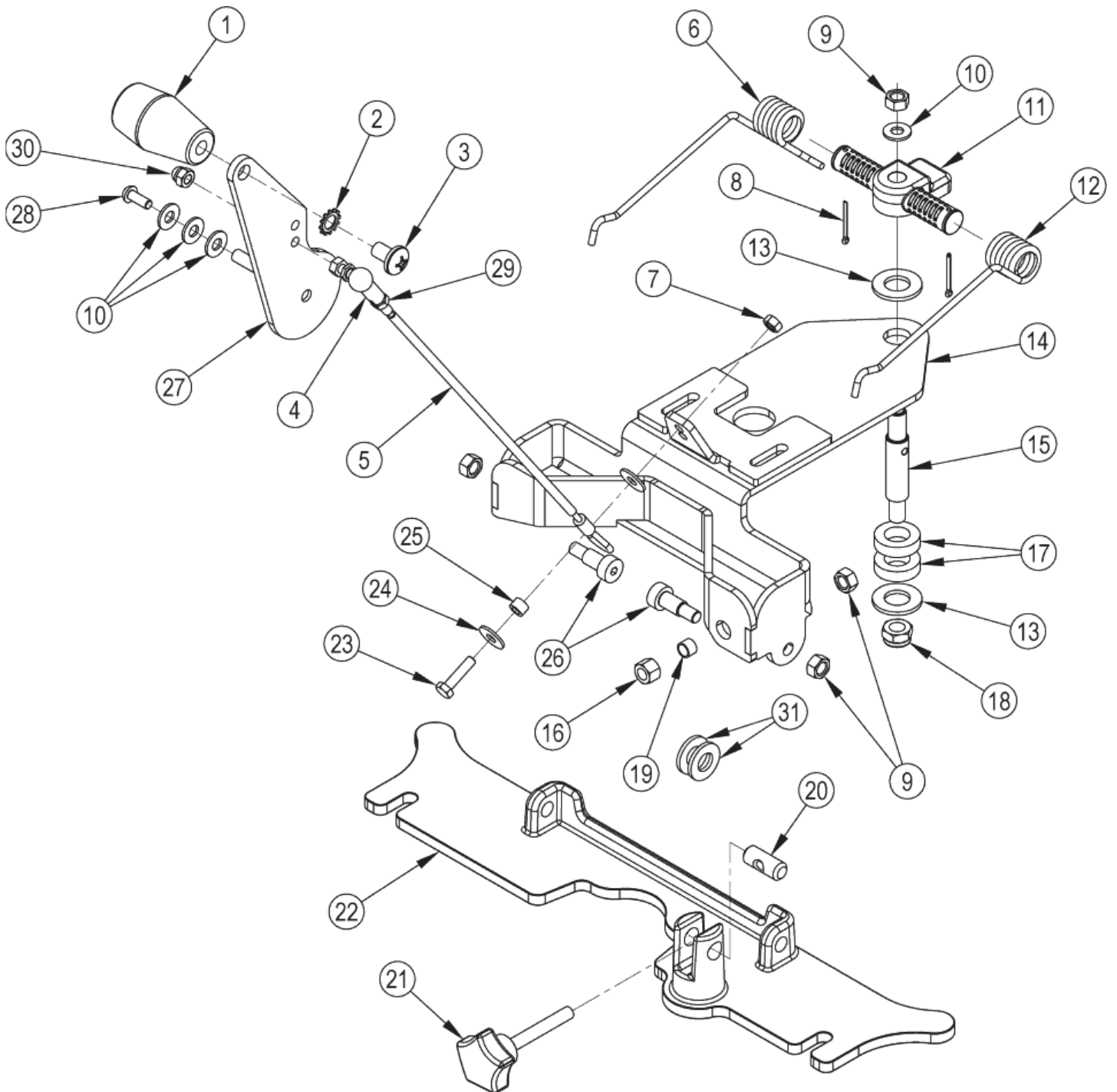
# Squeegee Holder Assembly

SCRUBTEC 8, 866-871-871C-886

14-09-2012

ET-Liste-Nr.  
SCRUB811

13



# Squeegee Holder Assembly

SCRUBTEC 8, 866-871-871C-886

14-09-2012

ET-Liste-Nr.  
SCRUB811

14

Pos	Artikelnr.	Me	Beschreibung
1	52557A	1	Drehknopf, Saugfuß- anhebung
2	980666	1	Klemmring 3/8" (ø10)
3	85389A	1	Sechskantschraube 3/8-16 PN SY
4	145 8479 000	1	Gelenkkopf
5	9097366000	1	Seilzug f. Absaugleiste
6	909 6537 000	1	Feder
7	80199A	1	NUT M6 1 HEX NYLON LOCK S.S.
8	925044	2	PIN 3/32X1 COTTER
9	80198A	4	Mutter M8-1.25 HEX Nylon selbstsichernd
10	980651	4	Flachscheibe 5/16 SAE
11	909 6052 000	1	Halterung f. Feder
12	909 6538 000	1	Feder
13	87613A	2	Scheibe 5/8" P
14	61953A	1	Grundplatte Saugleiste
15	909 6497 000	1	Bolzen
16	80163A	1	NUT M8 1.25 HEX
17	38708A	2	Distanzstück, Bürstenende EXT-210
18	80223A	1	NUT M10 1.5 NYLOCK
19	L08602422	1	Distanzhülse
20	L08601509	1	BOLZEN, VZ
21	54699A	1	Drehknopf M8x55
22	909 6045 000	1	Aufnahme f. Absaugleiste BA551/611
23	964054	1	SCR M 6.0X1.0 X 25 HX ST
24	87007A	2	Scheibe - Exzenter- steuerwelle
25	146 2258 000	1	SPACER 6.1X10X6.5
26	909 6495 000	2	Schraube M10x16
27	61952A	1	LEVER SQUEEGEE LIFT
28	80179A	1	SCREW M6 1 X 16MM PHD PH SS
29	80171A	1	NUT M6 1 HEX
30	80424A	1	WASHER NYLON 1 X 1/2 X .100

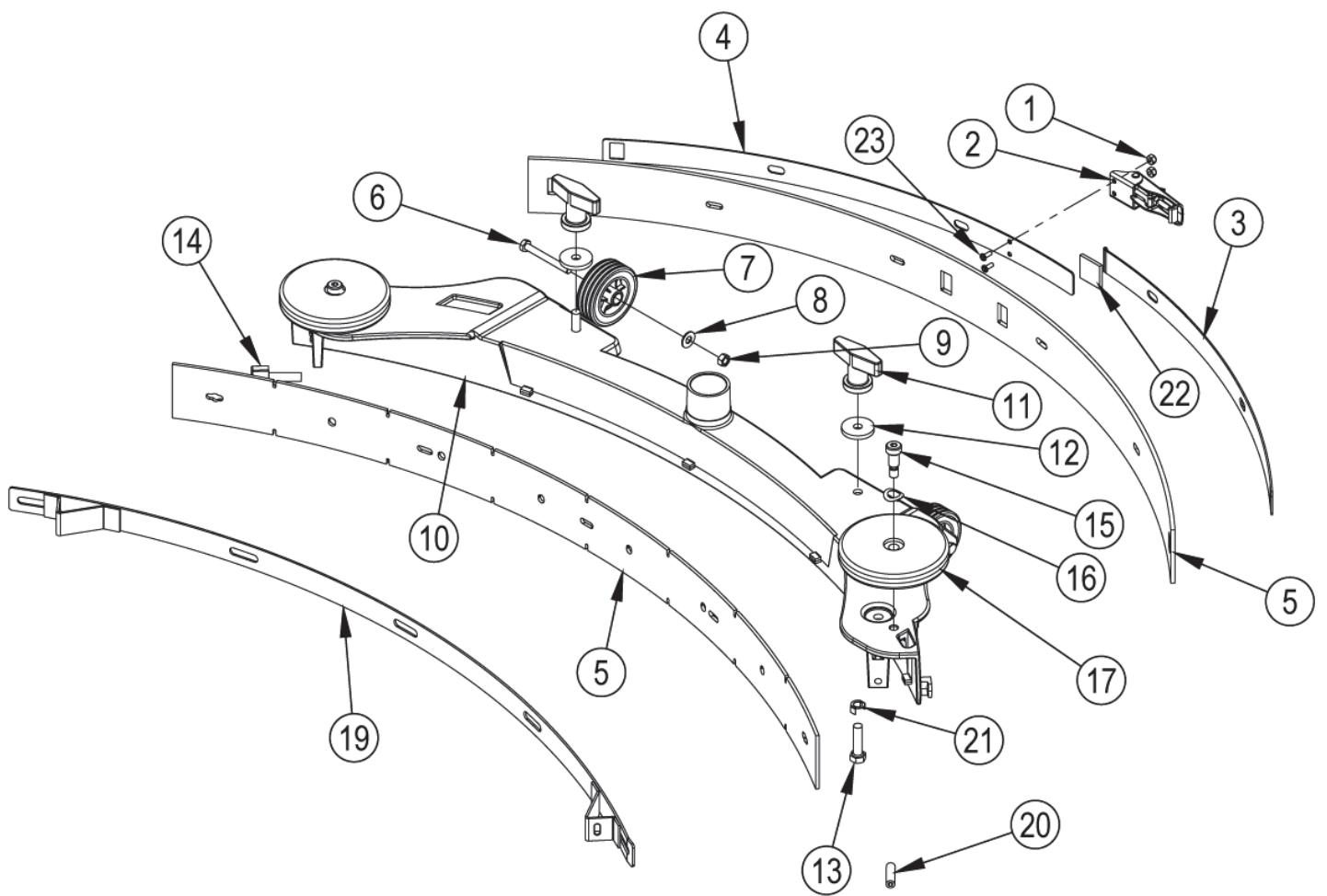
# Squeegee Assembly, 32,5" - SCRUBTEC 8

SCRUBTEC 8, 866-871-871C-886

14-09-2012

ET-Liste-Nr.  
SCRUB813

15



# Squeegee Assembly, 32,5" - SCRUBTEC 866

SCRUBTEC 8, 866-871-871C-886

14-09-2012

ET-Liste-Nr.  
SCRUB813

16

Pos	Artikelnr.	Me	Beschreibung	
0	10398A	1	Saugfuß kpl. 32,5"	NOTE 1
1	56002907	2	NUT HEX NYL LOC SS 6-32	
1		2	Hohlriete 5/32 DIA.126 .187 G	
2	9098321000	1	Riegel	
3	9097356000	1	Band, Saugleiste hinten links	
4	9097357000	1	Band, Saugleiste hinten	
5	11333A	1	Sauglippen Set Urethane	NOTE 2
6	88629A	2	Sechskantschraube M6, 1 x 55mm	
7	9099133000	2	Rad mit Buchse	
8	87026A	2	Scheibe .250 VA	
9	80199A	2	NUT M6 1 HEX NYLON LOCK S.S.	
10		1	Rahmen, Saugfuß 32.5"	NOTE 3
11	56370711	1	KNEBEL-MUTTER 5/16-18	
12	909 6682 000	2	U-Scheibe	
13	962157	2	Schraube 5/16-18X1&1/4 HX ST CAP	
14	54647A	1	KNOB M8X30 SS	
15	88609A	2	SCREW 5/16 18 X 3/8 X 5/8 SHSB	
16	80317A	2	WASHER BOWED .455 ID X .740 OD	
17	30048A	2	Rolle ø100 x ø10-Nabe schwarz Ku	
18	30817U	1	Sauglippe v orne/innen, Urethan	
19	60465A	1	STRAP SQUEEGEE FRONT 32.5	
20	88632A	1	Schraubensatz	
21	60564A	2	SHIM SQUEEGEE KNOB	
22	39717A	1	Teller, Saugleiste, Schaum	
23	56002909	2	SCR PAN PHIL SS 6-32X0.38	

NOTE 1: Squeegee Assembly includes Urethane blades.

NOTE 2: Squeegee Blade Kit includes both front and rear squeegee blades.

NOTE 3: The squeegee frame is not available for sale. If you need to replace the squeegee frame please order the entire squeegee assembly

Ersatzteile auf [www.gluesing.net](http://www.gluesing.net)



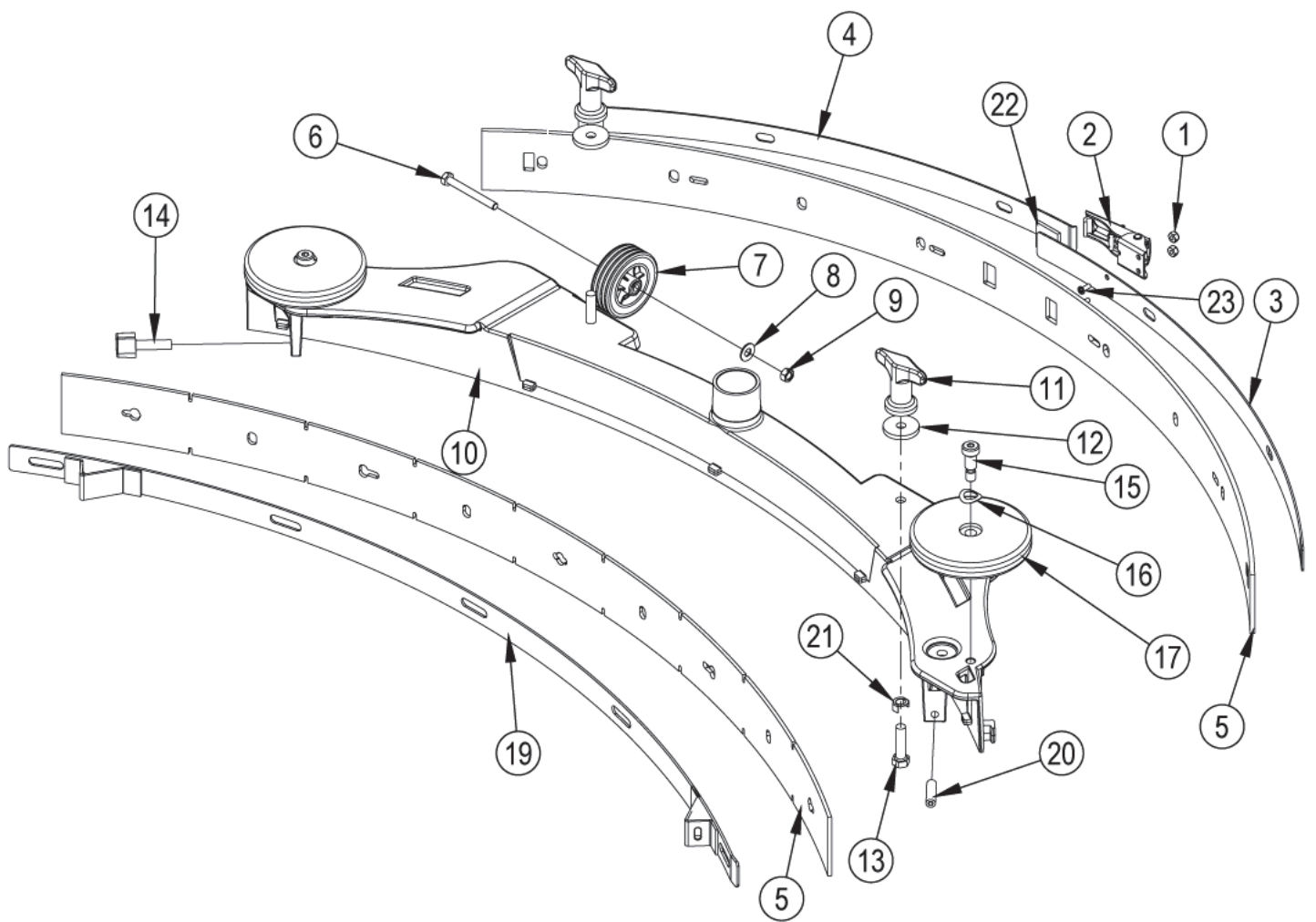
# Squeegee Assembly, 35" - 871, 871C and BOC

SCRUBTEC 8, 866-871-871C-886

14-09-2012

ET-Liste-Nr.  
SCRUB815

17



# Squeegee Assembly, 35" - 871, 871C and BOOS

SCRUBTEC 8, 866-871-871C-886

14-09-2012

ET-Liste-Nr.  
SCRUB815

18

Pos	Artikelnr.	Me	Beschreibung	
0	10399A	1	Saugf uß kpl. 35"	NOTE 1
1	56002907	2	NUT HEX NYL LOC SS 6-32	
1		2	Hohlriete 5/32 DIA. 126 .187 G	
2	9098321000	1	Riegel	
3	9097361000	1	Band Saugleiste hinten links	
4	9097362000	1	Band Saugleiste hinten rechts	
5	11332A	1	Sauglippen Set Urethane	NOTE 2
6	88629A	2	Sechskantschraube M6, 1 x 55mm	
7	9099133000	2	Rad mit Buchse	
8	87026A	2	Scheibe .250 VA	
9	80199A	2	NUT M6 1 HEX NYLON LOCK S.S.	
10		1	FRAME SQUEEGEE 35	NOTE 3
11	9098257000	2	Stellschraube	
12	909 6682 000	2	U-Scheibe	
13	962157	2	Schraube 5/16-18X1&1/4 HX ST CAP	
14	54647A	1	KNOB M8X30 SS	
15	88609A	2	SCREW 5/16 18 X 3/8 X 5/8 SHSB	
16	80317A	2	WASHER BOWED .455 ID X .740 OD	
17	30048A	2	Rolle ø100 x ø10-Nabe schwarz Ku	
18	30818U	1	BLADE URETHANE FRONT 35	
19	60466A	1	STRAP SQUEEGEE FRONT 35	
20	88632A	1	Schraubensatz	
21	60564A	2	SHIM SQUEEGEE KNOB	
22	39717A	1	Teller, Saugleiste, Schaum	
23	56002909	2	SCR PAN PHIL SS 6-32X0.38	

NOTE 1: Squeegee Assembly includes Urethane blades.

NOTE 2: Squeegee Blade Kit includes both front and rear squeegee blades.

NOTE 3: The squeegee frame is not available for sale. If you need to replace the squeegee frame please order the entire squeegee assembly

Ersatzteile auf [www.gluesing.net](http://www.gluesing.net)

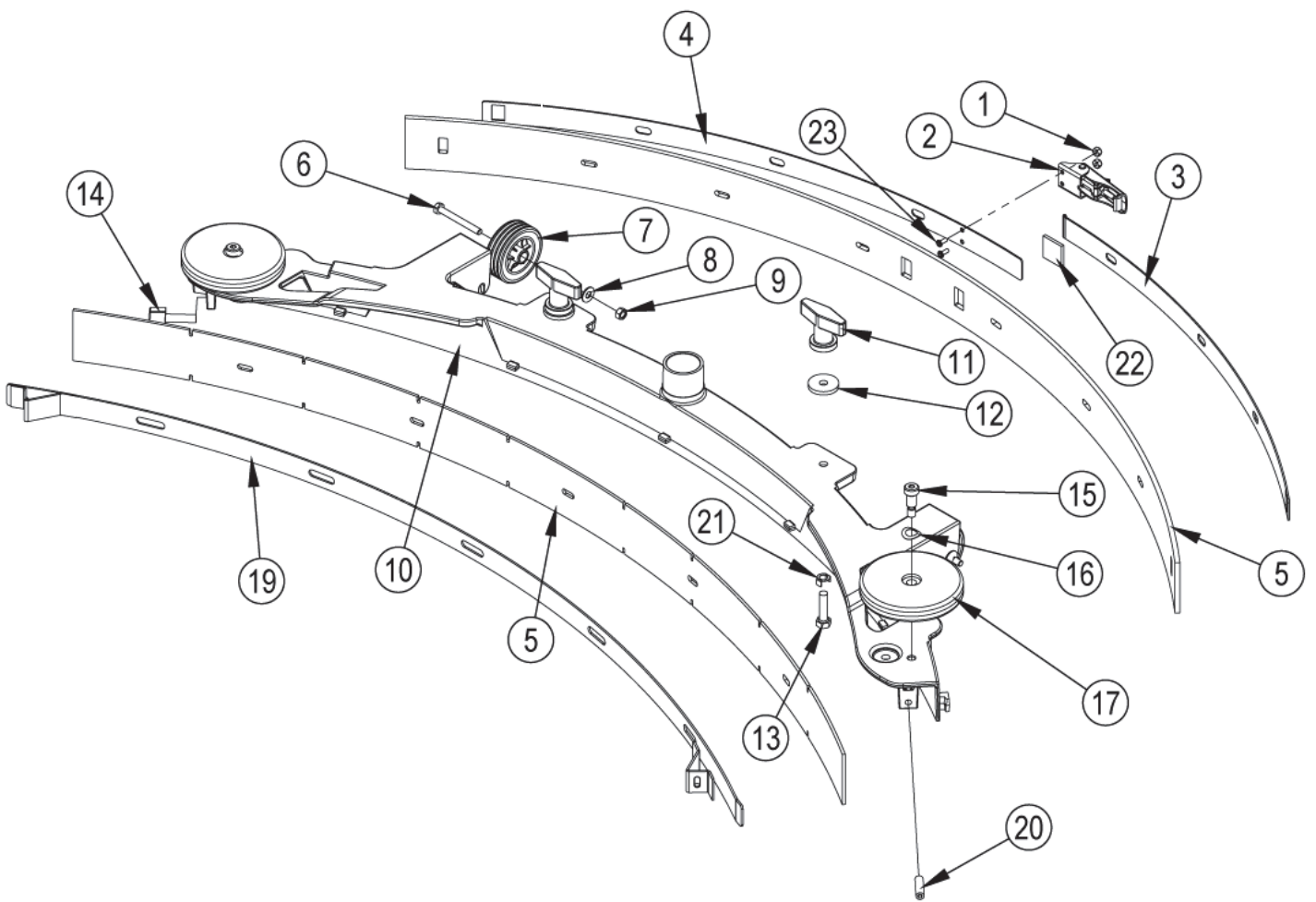
# Squeegee Assembly, 41" - SCRUBTEC 88

SCRUBTEC 8, 866-871-871C-886

14-09-2012

ET-Liste-Nr.  
SCRUB817

19



# Squeegee Assembly, 41" - SCRUBTEC 886

SCRUBTEC 8, 866-871-871C-886

14-09-2012

ET-Liste-Nr.  
SCRUB817

20

Pos	Artikelnr.	Me	Beschreibung	
0	10748A	1	Saugf uß kpl. 42"	NOTE 1
1	56002907	2	NUT HEX NYL LOC SS 6-32	
1		2	Hohlriete 5/32 DIA. 126 .187 G	
2	9098321000	1	Riegel	
3	9097375000	1	Band, Saugleiste rechts	
4	9097376000	1	Band, Saugleiste links	
5	11331A	1	Sauglippen Set Urethane	NOTE 2
6	88629A	2	Sechskantschraube M6, 1 x 55mm	
7	9099133000	2	Rad mit Buchse	
8	87026A	2	Scheibe .250 VA	
9	80199A	2	NUT M6 1 HEX NYLON LOCK S.S.	
10		1	FRAME SQUEEGEE 41	NOTE 3
11	56370711	2	KNEBEL-MUTTER 5/16-18	
12	909 6682 000	2	U-Scheibe	
13	962157	2	Schraube 5/16-18X1&1/4 HX ST CAP	
14	54647A	1	KNOB M8X30 SS	
15	88609A	2	SCREW 5/16 18 X 3/8 X 5/8 SHSB	
16	80317A	2	WASHER BOWED .455 ID X .740 OD	
17	30048A	2	Rolle ø100 x ø10-Nabe schwarz Ku	
18	30819U	1	Sauglippe v orne/innen, Urethan	
19	60546A	1	STRAP SQUEEGEE FRONT 41	
20	88632A	1	Schraubensatz	
21	60564A	2	SHIM SQUEEGEE KNOB	
22	39717A	1	Teller, Saugleiste, Schaum	
23	56002909	2	SCR PAN PHIL SS 6-32X0.38	

NOTE 1: Squeegee Assembly includes Urethane blades.

NOTE 2: Squeegee Blade Kit includes both front and rear squeegee blades.

NOTE 3: The squeegee frame is not available for sale. If you need to replace the squeegee frame please order the entire squeegee assembly

Ersatzteile auf [www.gluesing.net](http://www.gluesing.net)

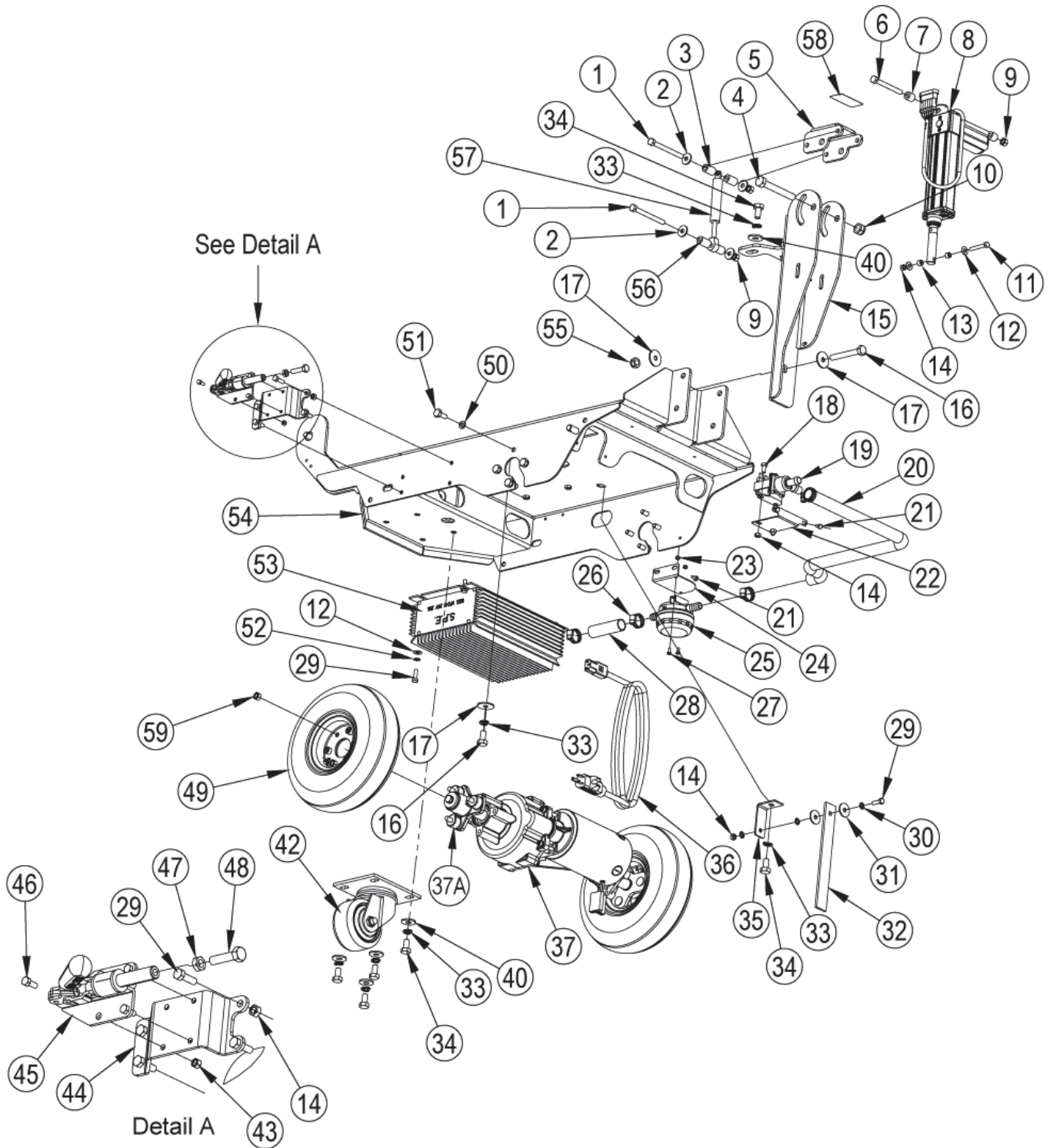
# Frame Assembly

SCRUBTEC 8, 866-871-871C-886

14-09-2012

ET-Liste-Nr.  
SCRUB819

21



# Frame Assembly

## SCRUBTEC 8, 866-871-871C-886

14-09-2012

ET-Liste-Nr.  
SCRUB819

22

Pos	Artikelnr.	Me	Beschreibung	
1	56003390	2	Schraube, HEXM8x1,25x90mm	
2	170860	4	WASHER FLT 5/16 PLTD	
3	61937A	2	SPACER	
4	88620A	1	SCREW M12 1.75 X 90MM HEX	
5	9097456000	1	LEVER	
6	88635A	1	SCREW M8 1.25 X 75MM HEX	
7	909 6112 000	2	SPACER 8.2X15X14	
8	40280A	1	ACTUATOR BOOST 32	(for BOOST 28/32 models only)
8	9097402000	1	Hebe-Senk-Motor	(for all models except BOOST)
9	80198A	3	Mutter M8-1.25 HEX Nylon selbstsichernd	
10	88618A	1	Mutter M12	
11	88626A	1	SCREW M6 1 X 40MM HEX	
12	87026A	6	Scheibe .250 VA	
13	146 2258 000	2	SPACER 6.1X10X6.5	
14	80199A	8	NUT M6 1 HEX NYLON LOCK S.S.	
15	9097368000	1	SUPPORT DECK LIFTING	
16	88616A	1	SCREW M10 1.5 X 75MM HEX	
17	87054A	5	Dichtungsscheibe .375	
18	80214A	2	SCREW M6 1 X 12 HEX HD. C.S.	
19	59789A	1	Magnetventil, Frisch-) wasser (Kit Nr. 14669A	
20	30828A	1	HOSE	
21	88624A	4	SCREW M5 X 12MM HEX TRILOBE	
22	61932A	1	PLATE SOLUTION SYSTEM SUPPORT	
23	88623A	2	Mutter M4	
24	9097370000	1	Plate Support Filter nicht mehr lieferbar	
25	9097404000	1	Wasserfilter	
26	722030	4	Schlauchschelle Nr. 6	
27	80057A	2	Schraube M4.7x10 PN SS	
28	30829A	1	Schlauch	
29	57994A	9	SCREW M6 X 20 HEX HD	
30	980614	3	U-Scheibe	
31	980205	2	Scheibe	
32	69639A	1	Statikband (FUSION)	
33	88612A	10	WASHER M10 LOCK	
34	88614A	6	SCREW M10 1.5 X 20MM HEX	
35	61949A	1	BRACKET GROUND STRAP	
36	41081A	1	CORD CHARGER NEMA	NOTE 1
37	40628A	1	Kohlebürste	NOT SHOWN
37	56381750	1	Getriebe	NOTE 3 /From S/N 3000035867, NOTE 5 / TSBC2009-02
37	56382670	1	KIT TRANSAXLE MOTOR	
40	88611A	6	WASHER M10 FLAT	
41	88613A	4	Sechskantschraube 1,5 mm x 16 mm	

NOTE 1: Only used on models with on-board charger.

NOTE 2: Only used on models without on-board charger.

NOTE 3: Transaxle 56380160 is obsolete and replaced by Transaxle Kit 56381750

NOTE 4: Optional Brake Kit 56112221

Ersatzteile auf [www.gluesing.net](http://www.gluesing.net)

# Frame Assembly

## SCRUBTEC 8, 866-871-871C-886

14-09-2012

ET-Liste-Nr.  
SCRUB819

23

Pos	Artikelnr.	Me	Beschreibung	
42	56112308	1	Lenkrolle	
43	80196A	4	NUT M5 0.8 HEX NYLON INSERT	NOTE 4
44	61934A	1	BRACKET BRAKE	NOTE 4
45	54772A	1	CLAMP TOGGLE STRAIGHT LINE	NOTE 4
46	80249A	4	6-kantschraube M5x0,8x12 VA	NOTE 4
47	920160	1	NUT-5/16-18 HEX JAM nicht mehr lieferbar	NOTE 4
48	962157	1	Schraube 5/16-18X1&1/4 HX ST CAP	NOTE 4
49	56380159	2	Radf & Flansch Kit	For machines built prior to S/N 3000035867, NOTE 5
49	60580A	2	Rad	NOTE 5 / TSBCL2010-25
50	980652	8	Scheibe LK 5/16 REG PLTD	
51	80183A	8	BOLT M8 1.25 X 20MM HEX	
52	980657	4	Sicherungsscheibe 1/4 STD	
53	56382504	1	Ladegerät	NOTE 1 / TSBCL2009-04
54	56112727	1	CHASSIS WELDT	
55	80223A	1	NUT M10 1.5 NYLOCK	
56	909 6113 000	2	SPACER 8.2X15X24	
57	54689A	1	GAS SPRING 500N	
58	71017A	1	LABEL MOVING PARTS	
NS	40297A	1	CABLE CHARGER ADAPTER	NOTE 2, NOT SHOWN
NS	40512B	1	CHARGER BATTERY 24VDC 25A OUT	NOTE 2, NOT SHOWN
NS	41062A	1	HARNESS CHRGT JUMPER	NOTE 2, NOT SHOWN
NS	699202	3	Band, Draht 935A	NOT SHOWN
37A	56380158	1	Flanschkit	From S/N 3000035867, NOTE 5

NOTE 1: Only used on models with on-board charger.

NOTE 2: Only used on models without on-board charger.

NOTE 3: Transaxle 56380160 is obsolete and replaced by Transaxle Kit 56381750

NOTE 4: Optional Brake Kit 56112221

Ersatzteile auf [www.gluesing.net](http://www.gluesing.net)

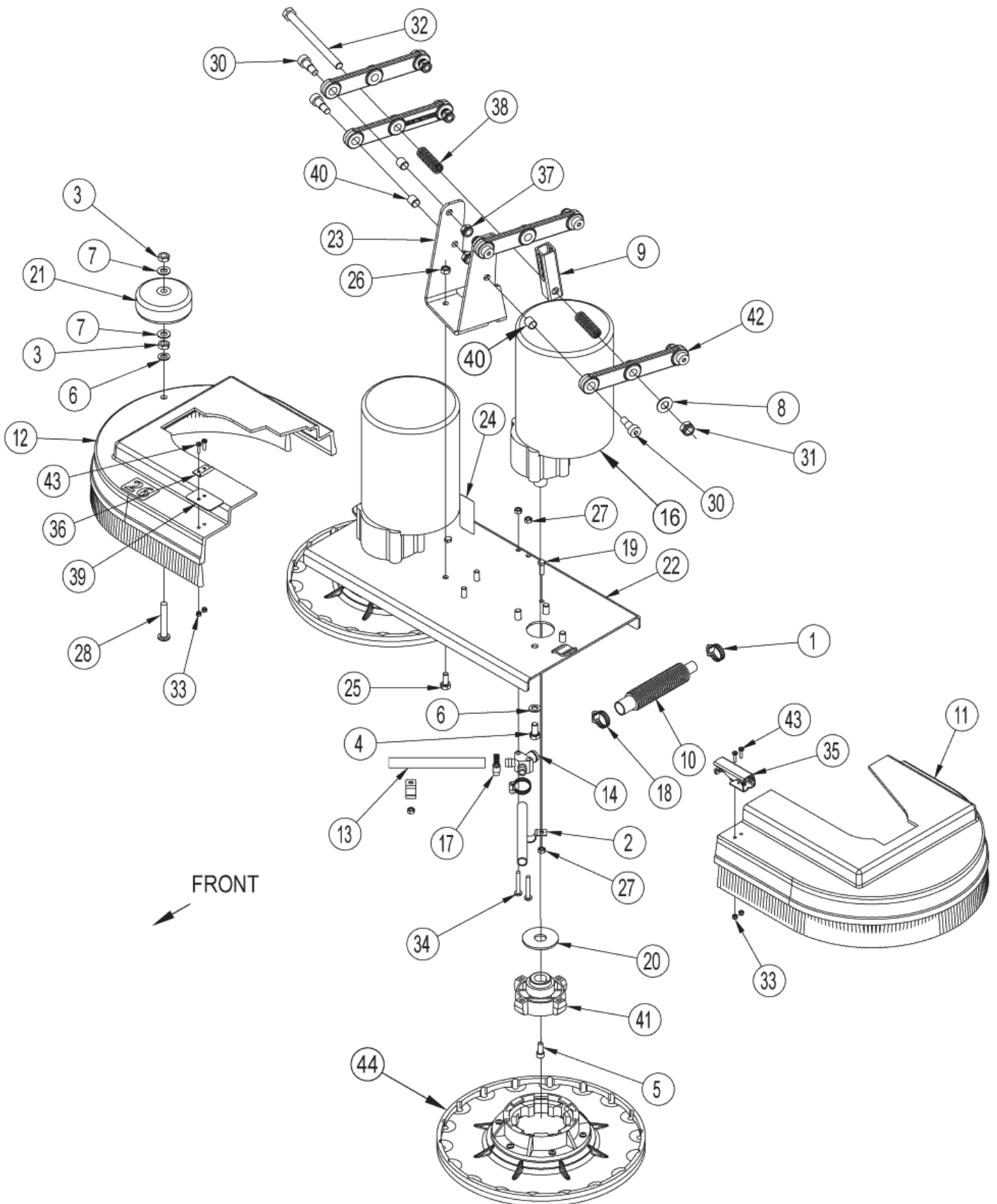
# Brush Head Assembly, 866

SCRUBTEC 8, 866-871-871C-886

14-09-2012

ET-Liste-Nr.  
SCRUB821

24





# Brush Head Assembly, 866

SCRUBTEC 8, 866-871-871C-886

14-09-2012

ET-Liste-Nr.  
SCRUB821

25

Pos	Artikelnr.	Me	Beschreibung
1	722030	1	Schlauchschele Nr. 6
2	782002	2	Schele Verteilerrohr RM-10
3	920248	2	Mutter 3/8-16
4	962244	8	Sechskantschraube 3/8-16 X 3/4 HH CAP
5	962714	2	Schraube 5/16-18X 3/4 SC ST NYLOK
6	980638	9	Federscheibe 3/8"
7	980645	2	Scheibe 3/8"
8	980648	1	Scheibe 17/32 PHILL X 1&1/16 Außen-Ø PLN
9	56109717	1	TUBE JACK MOTOR
10	30412A	1	Saugschlauch
11	30661A	1	Bürstenabdeckung links
12	30662A	1	Bürstenabdeckung rechts
13	34705A	2	Schlauch, Bürste
14	38014A	1	Verteiler, Frischwasser
15	40645A	4	Gehäuse mit Flachstecker US schwarz Ku
16	44809B	2	Getriebemotor 24VDC 200/m in Bürstenantr.
17	50248A	2	Schlauchschele 3/8
18	53571A	1	Schlauchschele
19	57994A	2	SCREW M6 X20 HEX HD
20	59856A	2	Flachscheibe Gummi, 3/4 X 2 1/4
21	59950A	1	Rad, kpl., Antrieb
22	61925A	1	PLATE BRUSH 26
23	61926A	1	Kopfhalterung f. Anheber
24	71017A	2	LABEL MOVING PARTS
25	80183A	3	BOLT M8 1.25 X 20MM HEX
26	80198A	3	Mutter M8-1.25 HEX Nylon selbstsichernd
27	80199A	4	NUT M6 1 HEX NYLON LOCK S.S.
28	85610A	1	Schraube .375-16 X 2,50 PN PH SS
30	88617A	8	SCREW SHOULDER M10 1.5XM12X16M
31	88618A	1	Mutter M12
32	88619A	1	SCREW M12 1.75X160MM HEX ZINC
33	88623A	4	Mutter M4
34	88627A	2	SCREW M6 X 40MM PAN
35	55721A	1	Verriegelung f. Encore 28 -33
36	55451A	1	Bürstenhalter, Gehäuse
37	80223A	8	NUT M10 1.5 NYLOCK
38	E04016	2	SPRING
39	69186A	1	Lasche, Verriegelung, Bürste
40	56112548	8	BUSHING
41	56382665	2	Kardanring
42	56382618	4	Hebelkit
43	964002	4	Schraube 4.0X0.7 X 16 PN ST
44	38035A	2	Treibteller Ø 330 mm



# Brush Head Assembly, 871

SCRUBTEC 8, 866-871-871C-886

14-09-2012

ET-Liste-Nr.  
SCRUB823

27

Pos	Artikelnr.	Me	Beschreibung
1	722030	1	Schlauchschele Nr. 6
2	782002	2	Schele Verteilerrohr RM-10
3	920248	2	Mutter 3/8-16
4	962244	8	Sechskantschraube 3/8-16 X 3/4 HH CAP
5	962714	2	Schraube 5/16-18X 3/4 SC ST NYLOK
6	980638	9	Federscheibe 3/8"
7	980645	2	Scheibe 3/8"
8	980648	1	Scheibe 17/32 PHILL X 1&1/16 Außen-Ø PLN
9	56109717	1	TUBE JACK MOTOR
10	30412A	1	Saugschlauch
11	30574A	1	Bürstegehäuse links "Scr ubtec" 28 "
12	30575A	1	Bürstenabdeckung, rechts
13	34705A	2	Schlauch, Bürste
14	38014A	1	Verteiler, Frischwasser
15	40645A	4	Gehäuse mit Flachstecker US schwarz Ku
16	44809B	2	Getriebemotor 24VDC 200/m in Bürstenantr.
17	50248A	2	Schlauchschele 3/8
18	53571A	1	Schlauchschele
19	57994A	2	SCREW M6 X20 HEX HD
20	59856A	2	Flachscheibe Gummi, 3/4 X 2 1/4
21	59950A	1	Rad, kpl., Antrieb
22	61924A	1	PLATE BRUSH 28
23	61926A	1	Kopfhalterung f. Anheber
24	71017A	2	LABEL MOVING PARTS
25	80183A	3	BOLT M8 1.25 X 20MM HEX
26	80198A	3	Mutter M8-1.25 HEX Nylon selbstsichernd
27	80199A	4	NUT M6 1 HEX NYLON LOCK S.S.
28	85610A	1	Schraube .375-16 X 2,50 PN PH SS
30	88617A	8	SCREW SHOULDER M10 1.5XM12X16M
31	88618A	1	Mutter M12
32	88619A	1	SCREW M12 1.75X160MM HEX ZINC
33	88623A	4	Mutter M4
34	88627A	2	SCREW M6 X 40MM PAN
35	55721A	1	Verriegelung f. Encore 28 -33
36	55451A	1	Bürstenhalter, Gehäuse
37	80223A	8	NUT M10 1.5 NYLOCK
38	E04016	2	SPRING
39	69186A	1	Lasche, Verriegelung, Bürste
40	964002	4	Schraube 4.0X0.7 X 16 PN ST
41	56382665	2	Kardanring
42	56112548	8	BUSHING
43	56382618	4	Hebelkit
44	38036A	2	Treibteller Ø 355 mm

NS = Not Show n

Ersatzteile auf [www.gluesing.net](http://www.gluesing.net)

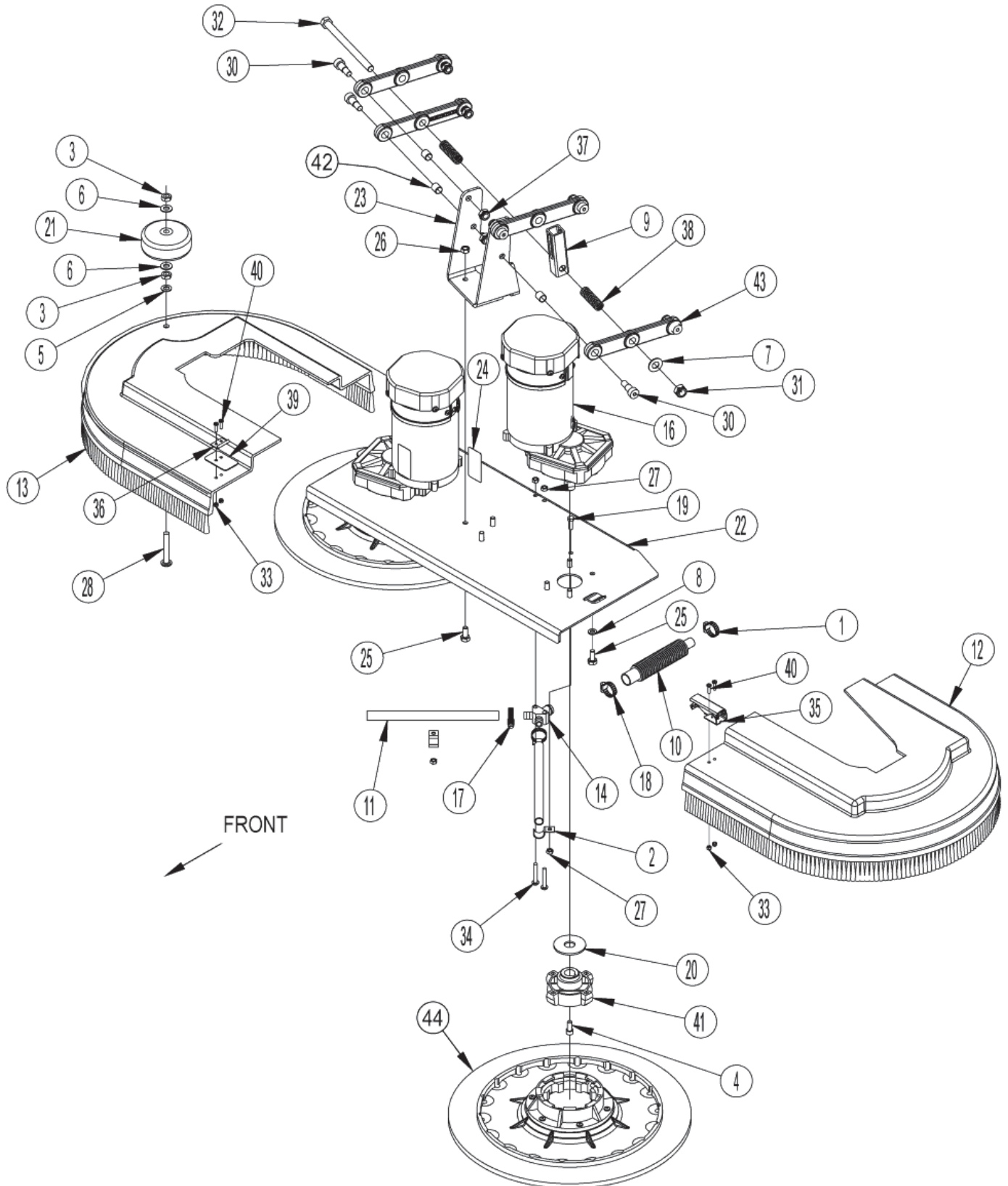
# Brush Head Assembly, 886

SCRUBTEC 8, 866-871-871C-886

14-09-2012

ET-Liste-Nr.  
SCRUB825

28



# Brush Head Assembly, 886

SCRUBTEC 8, 866-871-871C-886

14-09-2012

ET-Liste-Nr.  
SCRUB825

29

Pos	Artikelnr.	Me	Beschreibung
1	722030	1	Schlauchschele Nr. 6
2	782002	2	Schele Verteilerrohr RM-10
3	920248	2	Mutter 3/8-16
4	962714	2	Schraube 5/16-18X 3/4 SC ST NYLOK
5	980638	1	Federscheibe 3/8"
6	980645	2	Scheibe 3/8"
7	980648	1	Scheibe 17/32 PHILL X 1&1/16 Außen-Ø PLN
8	980652	8	Scheibe LK 5/16 REG PLTD
9	56109717	1	TUBE JACK MOTOR
10	30412A	1	Saugschlauch
11	30453A	2	Schlauch, Vinyl, durchsichtig
12	30583A	1	Bürstenabdeckung links
13	30584A	1	Bürstenabdeckung rechts
14	38014A	1	Verteiler, Frischwasser
15	40645A	4	Gehäuse mit Flachstecker US schwarz Ku
16	41046A	2	Bürstmotor
17	50248A	2	Schlauchschele 3/8
18	53571A	1	Schlauchschele
19	57994A	2	SCREW M6 X 20 HEX HD
20	59856A	2	Flachscheibe Gummi, 3/4 X 2 1/4
21	59950A	1	Rad, kpl., Antrieb
22	61923A	1	Platte f. Bürste 34"
23	61926A	1	Kopfhalterung f. Anheber
24	71017A	2	LABEL MOVING PARTS
25	80183A	11	BOLT M8 1.25 X 20MM HEX
26	80198A	3	Mutter M8-1.25 HEX Nylon selbstsichernd
27	80199A	4	NUT M6 1 HEX NYLON LOCK S.S.
28	85610A	1	Schraube .375-16 X 2,50 PN PH SS
30	88617A	8	SCREW SHOULDER M10 1.5XM12X16M
31	88618A	1	Mutter M12
32	88619A	1	SCREW M12 1.75X160MM HEX ZINC
33	88623A	4	Mutter M4
34	88627A	2	SCREW M6 X 40MM PAN
35	55721A	1	Verriegelung f. Encore 28 -33
36	55451A	1	Bürstenhalter, Gehäuse
37	80223A	8	NUT M10 1.5 NYLOCK
38	E04016	2	SPRING
39	69186A	1	Lasche, Verriegelung, Bürste
40	964002	4	Schraube 4.0X0.7 X 16 PN ST
41	56382665	2	Kardanring
42	56112548	8	BUSHING
43	56382618	4	Hebelkit
44	38034A	2	Treibteller Ø 430 mm

Ersatzteile auf [www.gluesing.net](http://www.gluesing.net)

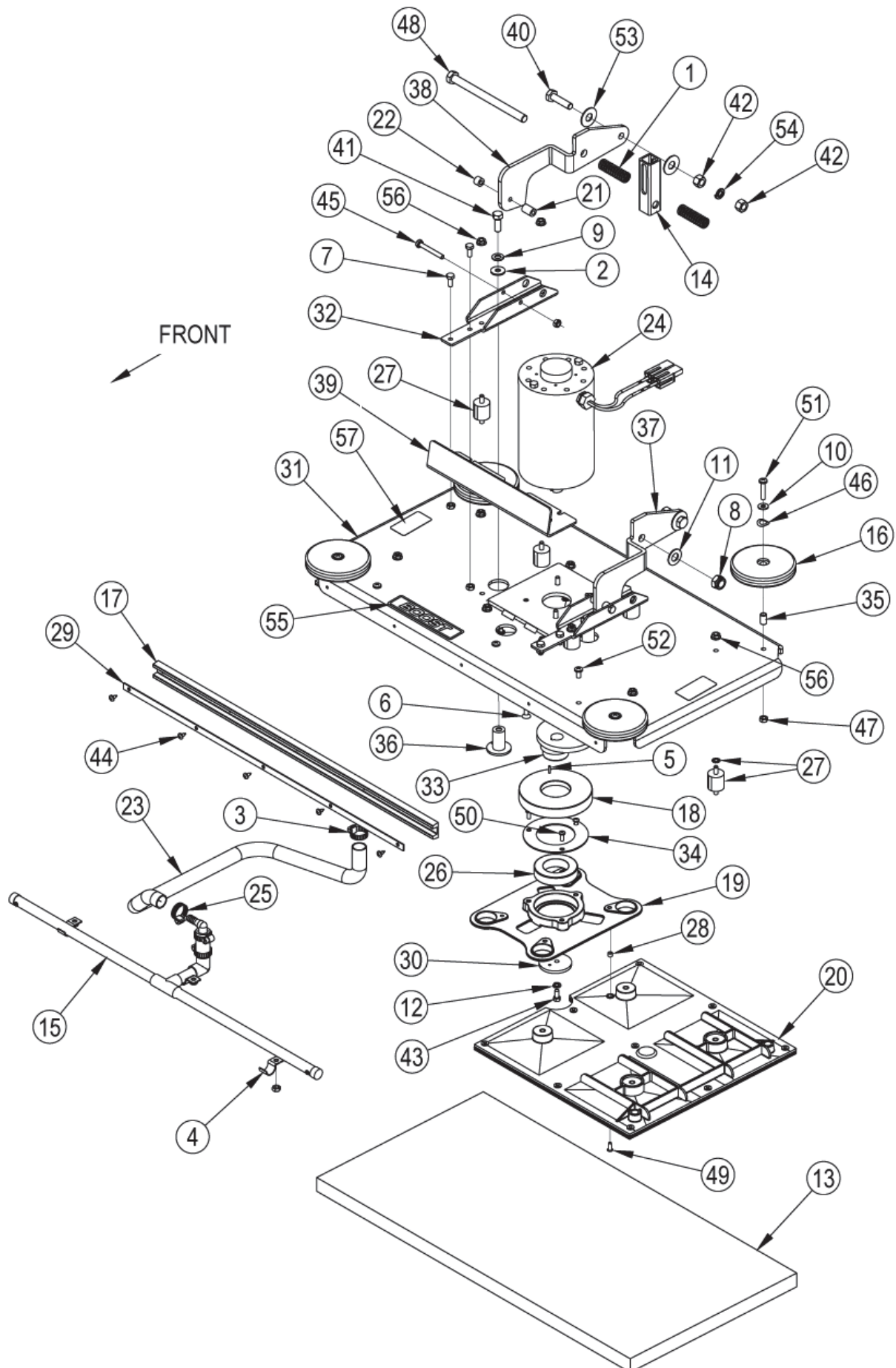
# Brush Head Assembly Boost 8

SCRUBTEC 8, 866-871-871C-886

14-09-2012

ET-Liste-Nr.  
SCRUB827

30



Ersatzteile auf [www.gluesing.net](http://www.gluesing.net)

# Brush Head Assembly Boost 8

SCRUBTEC 8, 866-871-871C-886

14-09-2012

ET-Liste-Nr.  
SCRUB827

31

Pos	Artikelnr.	Me	Beschreibung	
1	E04016	2	SPRING	
2	170860	2	WASHER FLT 5/16 PLTD	
3	722030	1	Schlauchschele Nr. 6	
4	782002	3	Schele Verteilerrohr RM-10	
5	925589	1	PIN ROLL 1/8 X 1/2	
6	56001881	4	SCR FLT HD SOC 1/4-20X.75 nicht mehr lieferbar	NOTE 1 - TSBCL2010-12
7	962139	4	SCREW 1/4 20 X 5/8 HEX HD	
8	88618A	1	Mutter M12	
9	980638	2	Federscheibe 3/8"	
10	980646	4	WASHER 1/4 SAE FLAT PLTD	
11	980648	1	Scheibe 17/32 PHILL X 1&1/16 Außen-Ø PLN	
12	980657	1	Sicherungsscheibe 1/4 STD	
13	997001	1	Pad rot 14" x 28 ", 5er Pack	
14	56109717	1	TUBE JACK MOTOR	
15	10309A	1	TUBE DRIP 28	
16	30048A	4	Rolle ø100 x ø10-Nabe schwarz Ku	
17	30206A	1	Stossleiste für Bürsten-gehäuse	
18		1	SHIELD BOOST BEARING	NOTE 1 / NOTE 2 / - TSBCL2010-12
19	56381491	1	PLATE DRIVER	
20	56380188	1	Flexplattensatz 28	NOTE 1 - TSBCL2010-12
21	30670A	2	Distanzstück Nylon	
22	30671A	2	Distanzstück Nylon	
23	30680A	1	Frischwasserschlauch, flexibel	
24	56380247	1	Motor 24V	
24	56390072	1	MOTOR 24VDC	NOTE 3
24	56412287	1	Kohlebürsten-/Federnkit kpl. f. 1 Motor	(for 56390072)
24	56412287	1	Kohlebürsten-/Federnkit kpl. f. 1 Motor	(for 56380247)
25	50248A	1	Schlauchschele 3/8	
26	50736A	1	Lager	
27	56380235	1	Isolator Kit	NOTE 1 - TSBCL2010-12
29	61425A	1	RETAINER BUMPER	
30	61724A	1	RETAINER ECCENTRIC	
31	56381724	1	PLATE WELDT BOOST 28	
32	61733B	2	Halterung Bürstenkopf BOOST	
33		1	ECCENTRIC BOOST	NOTE 2
34	61775A	1	Lagerhalterung	
35	61782A	4	SLEEVE GUIDE WHEEL	
36	56381532	2	STUD STABILIZER SHORT	TSB-CL 2011-0010 BOOST deck noise
37	61935A	1	ARM LIFT RIGHT	
38	61936A	1	ARM LIFT LEFT	
39	61938A	1	GUARD FRONT	
40	80054A	2	SCREW M10 X 40MM	

NOTE 1: Customers ordering parts for machines built before April 2010 need to order 28" Flex Plate Kit 56380210 to replace any or all of these items for repair.

NOTE 2: Order Eccentric & Shield Kit 56380246 to replace these components.

Ersatzteile auf [www.gluesing.net](http://www.gluesing.net)

# Brush Head Assembly Boost 8

SCRUBTEC 8, 866-871-871C-886

14-09-2012

ET-Liste-Nr.  
SCRUB827

32

Pos	Artikelnr.	Me	Beschreibung
41	80103A	2	SCREW 3/8 24 X 1 HEX HEAD
42	80162A	4	NUT M10 1.5 HEX
43	56002155	1	SCR HEX HD -S.56002093- nicht mehr lieferbar
44	80296A	5	SCREW 10 24 X 3/8 PHCR TYPE 23
45	80298A	2	Sechskantkopfschraube 1/4 20 x 2
46	80317A	4	WASHER BOWED .455 ID X .740 OD
47	81217A	13	Mutter 1/4-20 X .218H NYLOCK
48	88619A	1	SCREW M12 1.75X160MM HEX ZINC
49	56381989	4	BOLT SHOULDER
50	84237A	3	Flachkopfschraube 10-32 X 1/2 HD SS
51	85301A	4	Schraube 1/4 -20X1&1/4 PN SS MACH
52	85395A	3	Schraube Flachkopf 1/4-20 X 1/2
53	87607A	4	Flachscheibe 1.25X.52X.06 Nylon
54	88612A	2	WASHER M10 LOCK
55	56381702	1	LABEL BOOST
56	81220A	1	NUTHEX SERRATED FLANGE1/4 20
57	71017A	2	LABEL MOVING PARTS

NOTE 1: Customers ordering parts for machines built before April 2010 need to order 28" Flex Plate Kit 56380210 to replace any or all of these items for repair.

NOTE 2: Order Eccentric & Shield Kit 56380246 to replace these components.

Ersatzteile auf [www.gluesing.net](http://www.gluesing.net)



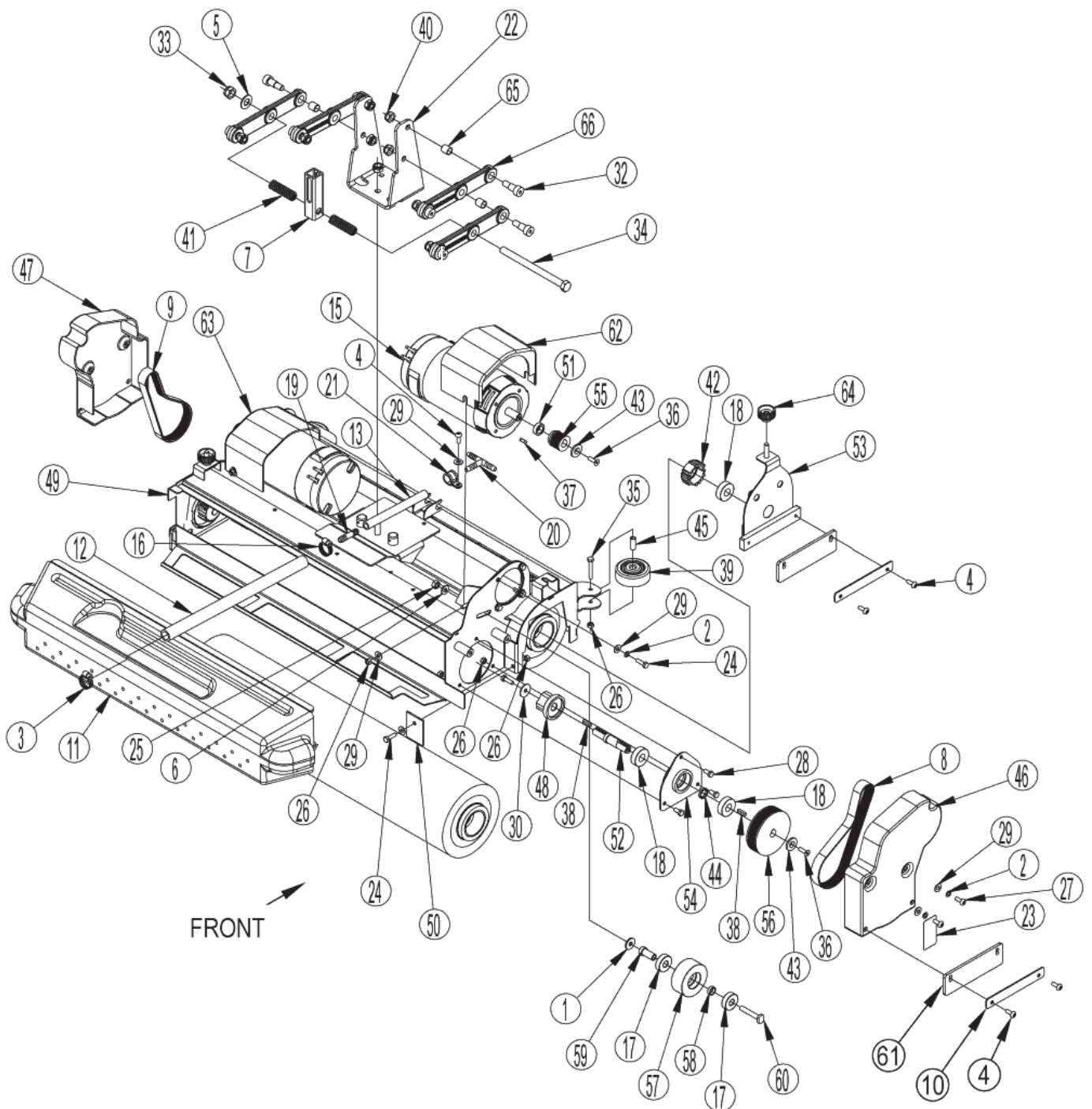
# Brush Head Assembly, 871 C

SCRUBTEC 8, 866-871-871C-886

14-09-2012

ET-Liste-Nr.  
SCRUB829

33



# Brush Head Assembly, 871 C

SCRUBTEC 8, 866-871-871C-886

14-09-2012

ET-Liste-Nr.  
SCRUB829

34

Pos	Artikelnr.	Me	Beschreibung
1	170860	2	WASHER FLT 5/16 PLTD
2	170892	12	Sicherungsscheibe 1/4 REG (SS)
3	722030	1	Schlauchschelle Nr. 6
4	964007	9	SCREW M6X16 PN ST PH
5	980648	1	Scheibe 17/32 PHILL X 1&1/16 Außen-Ø PLN
6	980651	2	Flachscheibe 5/16 SAE
7	56109717	1	TUBE JACK MOTOR
8	909 5760 000	1	Keilriemen
9	909 5761 000	1	Keilriemen
10	909 5769 000	4	Platte f. Spritzschutz
11	909 6225 000	1	Schmutzbehälter
12	30680A	1	Frischwasserschlauch, flexibel
13	30835A	1	HOSE
14	40645A	4	Gehäuse mit Flachstecker US schwarz Ku
15	41086A	2	Bürstomotor für Walzen- bürsteneinheit
16	50248A	1	Schlauchschelle 3/8
17	51126A	4	Lager nicht mehr lieferbar
18	51225A	6	Lager 6202 2RS
19	52414A	1	Connector hose-tank
20	53181A	1	HOSEBARB3/8TPLASTIC
21	54779A	1	CLAMP P 5/8
22	61926A	1	Kopfhalterung f. Anheber
23	71017A	2	LABEL MOVING PARTS
24	80195A	12	SCREW M6 1 X 20MM H.H. S.S.
25	80198A	2	Mutter M8-1.25 HEX Nylon selbstsichernd
26	80199A	15	NUT M6 1 HEX NYLON LOCK S.S.
27	80208A	4	Schraube M6x1,0 x 10mm
28	80214A	6	SCREW M6 1 X 12 HEX HD. C.S.
29	87026A	19	Scheibe .250 VA
30	87039A	2	Scheibe 1/4" V
32	88617A	8	SCREW SHOULDER M10 1.5XM12X16M
33	88618A	1	Mutter M12
34	88619A	1	SCREW M12 1.75X160MM HEX ZINC
35	88626A	2	SCREW M6 1 X 40MM HEX
36	88642A	4	SCREW M6 1X20MM FLAT HD SOCKET
37	88645A	2	KEY SQUARE M5 X 15MM
38	88646A	4	Vierkantkeil M5x20mm
39	L08602460	2	Abweisrolle
40	80223A	9	NUT M10 1.5 NYLOCK
41	E04016	2	SPRING
42	56407551	2	Nabe
43	145 5828 000	4	Abstandhalter
44	146 1232 000	2	Distanzstück D.15xD.20x4

Ersatzteile auf [www.gluesing.net](http://www.gluesing.net)

# Brush Head Assembly, 871 C

SCRUBTEC 8, 866-871-871C-886

14-09-2012

ET-Liste-Nr.  
SCRUB829

35

Pos	Artikelnr.	Me	Beschreibung
45	909 5710 000	2	Distanzbuchse
46	909 5724 000	1	Abdeckung f. Riemen, rechts
47	909 5725 000	1	Abdeckung f. Riemen
48	909 5728 000	2	Bürstenaufnahme
49	909 5751 000	1	FRAME CYLINDRICAL DECK 750
50	909 5752 000	2	Spritzschutz f. Cyl. Deck
51	909 5754 000	2	Abstandshalter
52	909 5755 000	2	Welle
53	909 5756 000	2	Bürstenaufnahme
54	909 5757 000	2	Halterung
55	909 5758 000	2	Ritzel
56	909 6361 000	2	Bürstenaufnahme
57	909 5762 000	2	ROLLER BELT TENSIONER
58	909 5764 000	2	SPACER 12.5X16X 6
59	909 5765 000	2	BUSHING COLLARED
60	909 5766 000	2	PIN
61	909 5770 000	4	Spritzgummi seitlich
62	909 5802 000	1	Motorschutzgehäuse
63	909 5803 000	1	Motorschutzgehäuse
64	909 5964 000	2	Stellschraube
65	56112548	8	BUSHING
66	56382618	4	Hebelkit

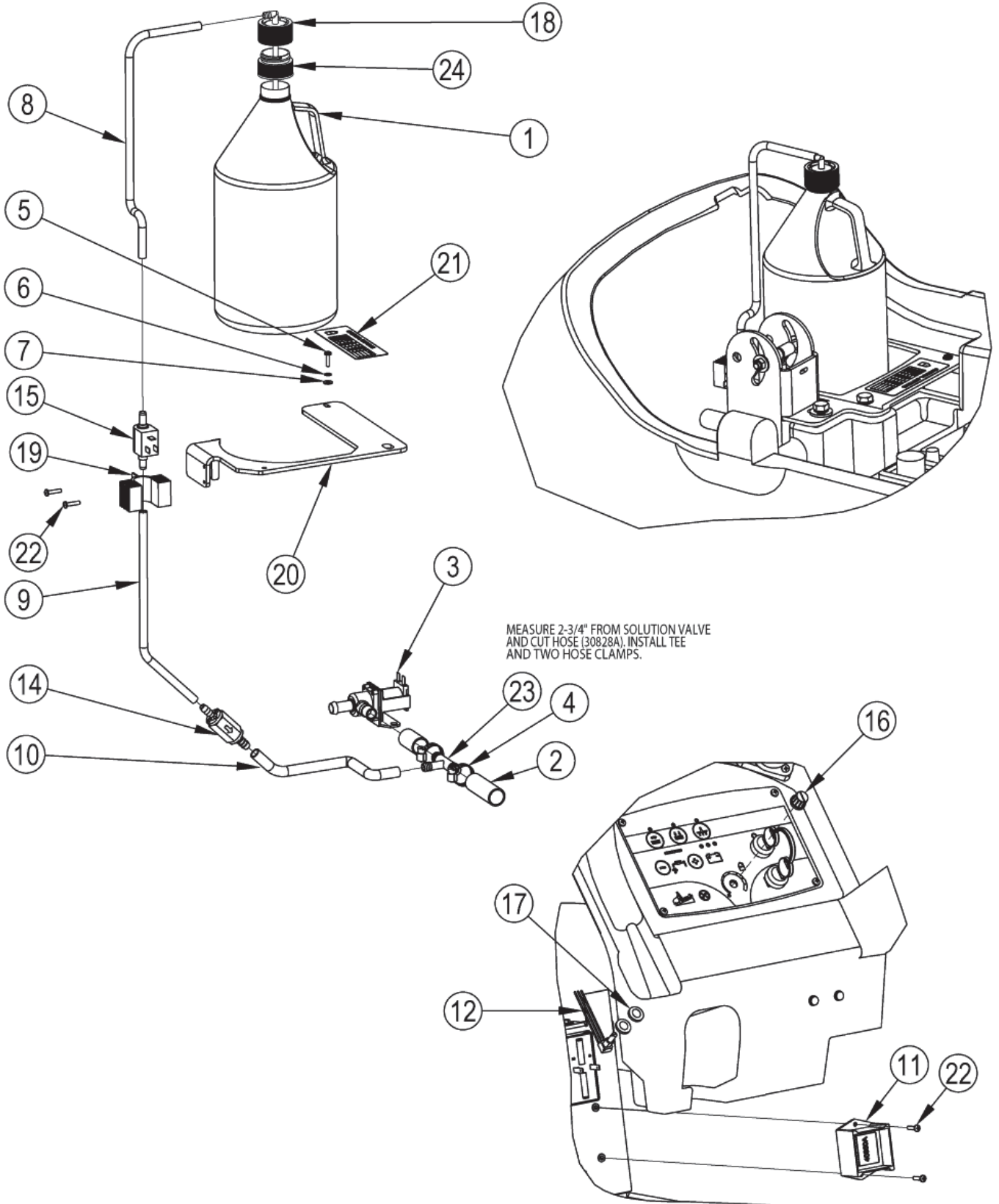
# Chemical Mixing Kit

SCRUBTEC 8, 866-871-871C-886

14-09-2012

ET-Liste-Nr.  
SCRUB831

36



# Chemical Mixing Kit

## SCRUBTEC 8, 866-871-871C-886

14-09-2012

ET-Liste-Nr.  
SCRUB831

37

Pos	Artikelnr.	Me	Beschreibung	
1		1	NOTE COMMENT	Bottle not available, use bottle from chemical sup
2		1	NOTE COMMENT	See frame assembly
3		1	NOTE COMMENT	See frame assembly
4	722030	2	Schlauchschelle Nr. 6	
5	964002	1	Schraube 4.0X0.7 X 16 PN ST	
6	980621	1	WASHER 8 EXT. TOOTH PLTD	
7	980982	1	Flachscheibe Nr. 10 SAE metallüberzogen	
8	39725A	1	Rohr 1/4IN ID X 15 1/4IN	
9	39726A	1	TUBE 1/4 ID X 5 1/2	
10	39727A	1	TUBE 3/8 ID X 11 1/2	
11	40850A	1	Modul	
12	41084A	1	HARNESS CHEMICAL	
13	53186A	10	WIRE TIE 1/8 X 14.5 BLK	Not Shown
14	53719A	1	Absperrventil	
15	53721A	1	Chemiepumpe	
16	53736A	1	Drehknopf	
17	87618A	2	Flachscheibe .75X.39X.62 Nylon	
18	54778A	1	Abdeckkappe f. Adapter, 38 mm	
19	61772A	1	Halter Reinigungs- mittelpumpe	
20	61954B	1	CHEMICAL JUG BRACKET	
21	71489A	1	Aufkleber Chemical Settin	
22	962027	4	Flachkopfschraube 8-32 X 1/2	
23	88644A	1	TEE REDUCING 1/2 TO 3/8	
24	9097023000	1	Adapter f. Chemie Tank	

# EMPFOHLENE ERSATZTEILE

SCRUBTEC 8, 866-871-871C-886

14-09-2012

ET-Liste-Nr.  
SCRUB851

38

Keine Zeichnung zur ET-Liste

# EMPFOHLENE ERSATZTEILE

SCRUBTEC 8, 866-871-871C-886

14-09-2012

ET-Liste-Nr.  
SCRUB851

39

Pos	Artikelnr.	Me	Beschreibung	
0	10398A	1	Saugfuß kpl. 32,5"	866
0	10399A	1	Saugfuß kpl. 35"	871, 8, 878 C
0	10748A	1	Saugfuß kpl. 42"	886
0	11131A	1	Handflächenschalter	
0		1	Gummidämpfer	Boost 8
0	146 2888 000	1	Schlüsselschalter mit Kappe	
0	30412A	1	Saugschlauch	866, 871, 886
0	30680A	1	Frischwasserschlauch, flexibel	871 C
0	30792A	1	Schlauch, Frischwasser	
0	30799A	1	Ablassschlauch	
0	30832A	1	Saugschlauch	
0	34400B	1	ers. mit 56382665 Kardankupplung fuer Treib	866, 871, 886
0	39718A	1	Dichtung, Schmutz- wassertankdeckel	
0	40002A	1	Schwimmerschalter elektri sch	
0	40261A	1	Kohlebürste f. Bürstmotor	886
0	40628A	1	Kohlebürste	
0		1	Potentiometer	
0	40826A	1	Kohlebürste, kpl.	866, 871
0	41046A	1	Bürstmotor	886
0	41067A	1	Platine, Bedienelement	
0	41068B	1	Steuergerät	
0	41069B	1	Relais	
0	41073A	1	Sicherung 30A, Saugmotor	
0	41074A	1	Sicherung 60A	
0	41075A	1	Relais Saugmotor	
0	41077A	1	Ladegeräte	
0	41081A	1	CORD CHARGER NEMA	
0		1	Ladekabel	
0	41086A	1	Bürstmotor für Walzen- bürsteneinheit	872 C
0	41422B	1	Schutzschalter, 25A SCR. 90 Grad	878 C
0	41431B	1	Schutzschalter 35A thermi sch	866, 871, 886, 8
0	41810A	1	ers. m. 56412179 Schütz, Bürste	
0	44809B	1	Getriebemotor 24VDC 200/m in Bürstenantr.	866, 871
0	50736A	1	Lager	Boost 8
0		1	Motor für Fahrtrieb	
0	51225A	1	Lager 6202 2RS	873 C
0	52556A	1	Tastschalter "rückwärts" 36V	
0		1	Radf & Flansch Kit	
0	56380188	1	Flexplattensatz 28	Boost 8
0	56380211	1	Kit Flex Platte 32	
0	56380235	1	Isolator Kit	Boost 8
0	56380247	1	Motor 24V	Boost 8
0	56381491	1	PLATE DRIVER	Boost 8

9097621000 WHEEL REAR CASTOR KIT WILL SOON BE REPLACED BY THE SINGLE WHEEL 909 5202 000

Ersatzteile auf [www.gluesing.net](http://www.gluesing.net)

# EMPFOHLENE ERSATZTEILE

SCRUBTEC 8, 866-871-871C-886

14-09-2012

ET-Liste-Nr.  
SCRUB881

40

Pos	Artikelnr.	Me	Beschreibung
0	56382501	1	FUNCTION BOARD SERVICE KIT
0	56412287	1	Kohlebürsten-/Federnkit kpl. f. 1 Motor <span style="float: right;">Boost 8</span>
0	58069A	1	Filter fuer Vacuumrohr " ENCORE 20"
0	59789A	1	Magnetventil, Frisch-) wasser (Kit Nr. 14669A)
0	61775A	1	Lagerhalterung <span style="float: right;">Boost 8</span>
0	909 5202 000	1	Lenkrolle
0	909 5760 000	1	Keilriemen <span style="float: right;">875 C</span>
0	909 5761 000	1	Keilriemen <span style="float: right;">876 C</span>
0	909 5770 000	1	Spritzgummi seitlich <span style="float: right;">877 C</span>
0	9097402000	1	Hebe-Senk-Motor
0	9097404000	1	Wasserfilter
0	9097466000	1	Vacuummotor Kit

9097621000 WHEEL REAR CASTOR KIT WILL SOON REPLACED THE SINGLE WHEEL 909 5202 000

Ersatzteile auf [www.gluesing.net](http://www.gluesing.net)



# Zubehör 1

SCRUBTEC 8, 866-871-871C-886

14-09-2012

ET-Liste-Nr.  
SCRUB853

41

Keine Zeichnung zur ET-Liste

# Zubehör 1

SCRUBTEC 8, 866-871-871C-886

14-09-2012

ET-Liste-Nr.  
SCRUB8853

42

Pos	Artikelnr.	Me	Beschreibung	
2	11363A	1	Reinigungsmittel- mischsystem	
3	11371A	1	Betriebsstundenzähler 24V	
4	56112221	1	Parkbremse	
5	14607A	1	Pflegeset	
6	53391A	1	BTY MAINT. SYSTEM KIT 24 V	
7	10398A	1	Saugfuß kpl. 32,5"	
8	10399A	1	Saugfuß kpl. 35"	
9	10748A	1	Saugfuß kpl. 42"	
10	997002	1	Pad weiß 14" x 28", 5er Pack	SCRUBTEC BOOST 8
11	997001	1	Pad rot 14" x 28", 5er Pack	SCRUBTEC BOOST 8
12	997006	1	Pad blau 14" x 28", 4er Pack	SCRUBTEC BOOST 8
13	997018	1	PAD MAROON 14 X 28 CS/10EA	SCRUBTEC BOOST 8
14	997000	1	Pad schwarz 14" x 28", 5er Pack	SCRUBTEC BOOST 8
18	30794A	1	Zweiseitiger Klettverschluss	SCRUBTEC BOOST 8
19	11332A	1	Sauglippen Set Urethane	SCRUBTEC BOOST 8
20	11338A	1	Sauglippen Set Linatex	SCRUBTEC BOOST 8
21	11335A	1	Sauglippen Set Gummi	SCRUBTEC BOOST 8
22	38035A	1	Treibteller Ø 330 mm	SCRUBTEC BOOST 866
23	11438A	1	Schrubbürste Ø 330 mm, PP	SCRUBTEC BOOST 866
24	11437A	1	Schrubbürste Ø 330 mm, Nylon	SCRUBTEC BOOST 866
25	10382A	1	Schleifkornbürste Ø330 mm Light Grit	SCRUBTEC BOOST 866
26	11439A	1	Schleifkornbürste Ø330 mm Clean Grit	SCRUBTEC BOOST 866
27	11440A	1	Schleifkornbürste Ø330 mm Super Grit	SCRUBTEC BOOST 866
28	11333A	1	Sauglippen Set Urethane	SCRUBTEC BOOST 866
29	11339A	1	Sauglippen Set Linatex	SCRUBTEC BOOST 866
30	11336A	1	Sauglippen Set Gummi	SCRUBTEC BOOST 866

## ACCESSORIES

### Scrubtec 871

<u>Description</u>	<u>Part No.</u>	<u>Description</u>	<u>Part No.</u>
<b>Pad Driver &amp; Brushes</b>		<b>35" Squeegee Blades (front &amp; rear)</b>	
Pad Driver (14")	38036A	Urethane Squeegee Blade Kit	11332A
Poly Brush (14")	11427B	Linatex Squeegee Blade Kit	11338A
Soft Nylon Brush (14")	10874A	Gum Squeegee Blade Kit	11335A
Lite Grit Brush (14")	10383A		
Medium Grit Brush (14")	11431B		
Heavy Grit Brush (14")	11426B		

### Scrubtec 886

<u>Description</u>	<u>Part No.</u>	<u>Description</u>	<u>Part No.</u>
<b>Pad Driver &amp; Brushes</b>		<b>41" Squeegee Blades (front &amp; rear)</b>	
Pad Driver (17")	38034A	Urethane Squeegee Blade Kit	11331A
Poly Brush (17")	11424B	Linatex Squeegee Blade Kit	11337A
Soft Nylon Brush (17")	10875A	Gum Squeegee Blade Kit	11334A
Lite Grit Brush (17")	10384A		
Medium Grit Brush (17")	11430B		
Heavy Grit Brush (17")	11425B		

### Scrubtec 871C

<u>Description</u>	<u>Part No.</u>	<u>Description</u>	<u>Part No.</u>
<b>Brushes</b>		<b>35" Squeegee Blades (front &amp; rear)</b>	
#Poly Brush (5.7" dia.)	56412046	Urethane Squeegee Blade Kit	11332A
#Soft Nylon Brush (5.7" dia.)	56412191	Linatex Squeegee Blade Kit	11338A
#Hard Nylon Brush (5.7" dia.)	56412192	Gum Squeegee Blade Kit	11335A
#Lite Grit Brush (5.7" dia.)	56412193		
#Medium Grit Brush (5.7" dia.)	56412194		
#Heavy Grit Brush (5.7" dia.)	56412195		

# = Revised or new since last update

# Zubehör 2

SCRUBTEC 8, 866-871-871C-886

14-09-2012

ET-Liste-Nr.  
SCRUB886

44

Pos	Artikelnr.	Me	Beschreibung	
1	38036A	1	Treibteller Ø 355 mm	SCRUBTEC BOOST 871
2	11427B	1	Schrubbbürste Ø 355 mm, PP	SCRUBTEC BOOST 871
3	10874A	1	Schrubbbürste Ø 355 mm, Nylon	SCRUBTEC BOOST 871
4	10383A	1	Schleifkornbürste Ø355 mm Light Grit	SCRUBTEC BOOST 871
5	11431B	1	Schleifkornbürste Ø355 mm Clean Grit	SCRUBTEC BOOST 871
6	11426B	1	Schleifkornbürste Ø355 mm Super Grit	SCRUBTEC BOOST 871
10	38034A	1	Treibteller Ø 430 mm	SCRUBTEC BOOST 886
11	11424B	1	Schrubbbürste Ø 430 mm, PP	SCRUBTEC BOOST 886
12	10875A	1	Schrubbbürste Ø 430 mm, Nylon	SCRUBTEC BOOST 886
13	10384A	1	Schleifkornbürste Ø430 mm Light Grit	SCRUBTEC BOOST 886
14	11430B	1	Schleifkornbürste Ø430 mm Clean Grit	SCRUBTEC BOOST 886
15	11425B	1	Schleifkornbürste Ø430 mm Super Grit	SCRUBTEC BOOST 886
20	56412046	1	Walzenbürste Polypropylen (Rot) 690 mm	SCRUBTEC BOOST 871C
21	56412191	1	Walzenbürste Nylon (Gelb) 690 mm	SCRUBTEC BOOST 871C
22	56412192	1	Walzenbürste Nylon hart (Natural) 690 mm	SCRUBTEC BOOST 871C
23	56412193	1	Walzenbürste Light Grit 180 (Blau/grau) 690 mm	SCRUBTEC BOOST 871C
24	56412194	1	Walzenbürste Clean Grit 80 (Schwarz) 690 mm	SCRUBTEC BOOST 871C
25	56412195	1	Walzenbürste Super Grit 46 (Orange/Braun) 690 mm	SCRUBTEC BOOST 871C
30	11332A	1	Sauglippen Set Urethane	35" Squeegee Blades
31	11338A	1	Sauglippen Set Linatex	35" Squeegee Blades
32	11335A	1	Sauglippen Set Gummi	35" Squeegee Blades
40	11331A	1	Sauglippen Set Urethane	41" Squeegee Blades
41	11337A	1	Sauglippen Set Linatex	41" Squeegee Blades
42	11334A	1	Sauglippen Set Gummi	41" Squeegee Blades
50	11332A	1	Sauglippen Set Urethane	35" Squeegee Blades
51	11338A	1	Sauglippen Set Linatex	35" Squeegee Blades
52	11335A	1	Sauglippen Set Gummi	35" Squeegee Blades

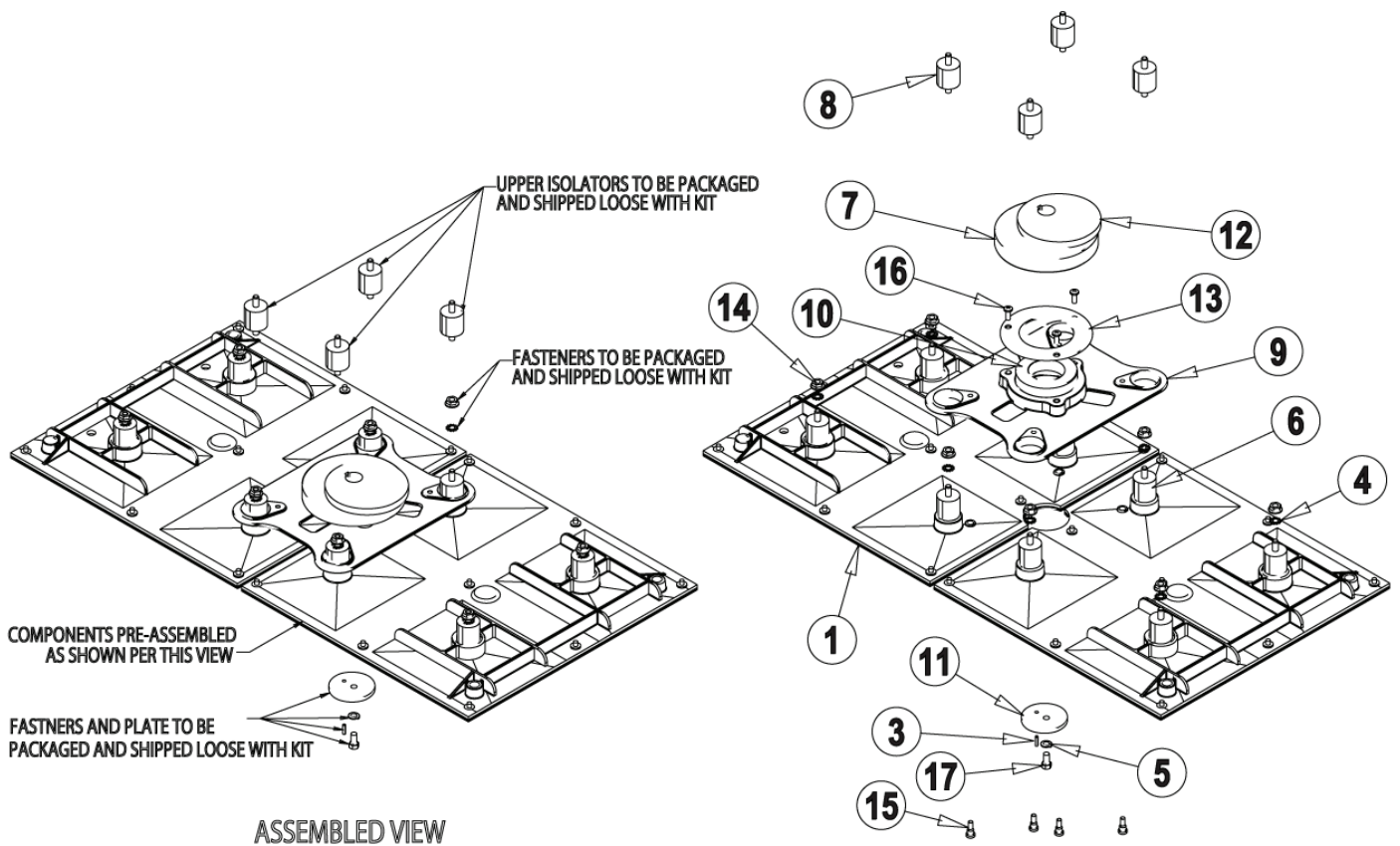
# 56380210/56380211 - Flex Plate 28/32 Kit

SCRUBTEC 8, 866-871-871C-886

14-09-2012

ET-Liste-Nr.  
IS56090041

45



# 56380210/56380211 - Flex Plate 28/32 Kit

SCRUBTEC 8, 866-871-871C-886

14-09-2012

ET-Liste-Nr.  
IS56090041

46

Pos	Artikelnr.	Me	Beschreibung
0	56380210	2	Flexplattensatz
0	56380211	1	Kit Flex Platte 32
1	56380187	1	Flexplattensatz 32 nicht mehr lieferbar
1	56380188	1	Flexplattensatz 28
2		1	NOTE COMMENT Loctite 242 Compound Blue 0.5
3	925589	1	PIN ROLL 1/8 X 1/2
4	980614	8	U-Scheibe
5	980657	1	Sicherungsscheibe 1/4 STD
6	56380190	8	ISOLATOR 30 DURO 1/4 20
7	56380192	1	SHIELD BOOST BEARING
8	56380235	4	Isolator Kit
9	56381491	1	PLATE DRIVER
10	50736A	1	Lager
11	61724A	1	RETAINER ECCENTRIC
12		1	NOTE COMMENT Eccentric
13	61775A	1	Lagerhalterung
14	81220A	8	NUTHEX SERRATED FLANGE 1/4 20
15	56381989	1	BOLT SHOULDER
16	84237A	3	Flachkopfschraube 10-32 X 1/2 HD SS
17	85737A	1	Sechskantschraube 1/4-20 X 5/8
K1	56380246	1	Exzenterscheibe Includes pos. 3, 7, 12
K2	56380235	1	Isolator Kit Includes pos. 2, 4, 6, 8, 14

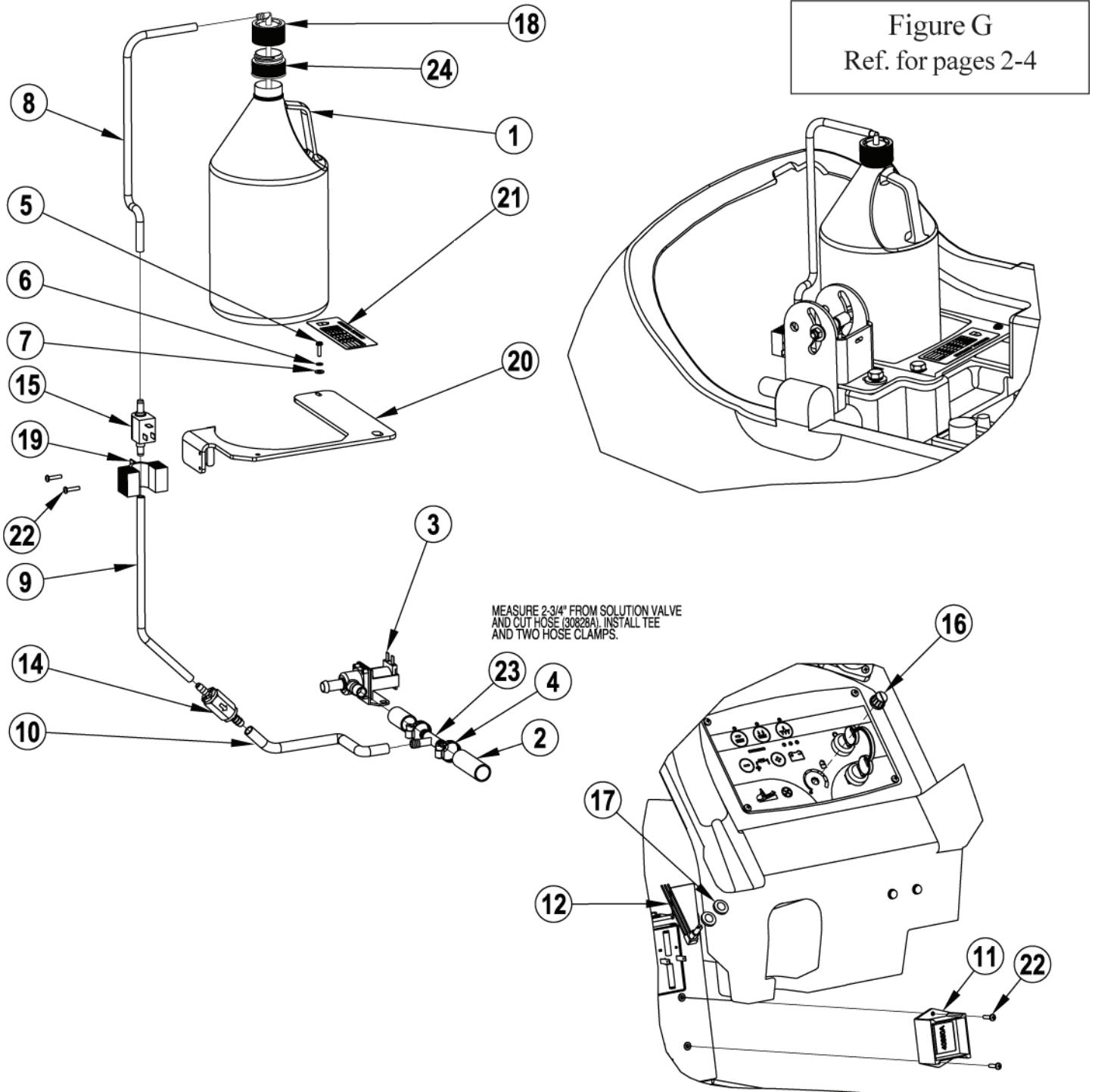
# 11363A - Chemical Mixing System

SCRUBTEC 8, 866-871-871C-886

14-09-2012

ET-Liste-Nr. IS71490A

47



# 11363A - Chemical Mixing System

SCRUBTEC 8, 866-871-871C-886

14-09-2012

ET-Liste-Nr. IS71490A

48

Pos	Artikelnr.	Me	Beschreibung	
0	11363A	1	Reinigungsmittel- mischsystem	
1		1	NOTE COMMENT	REF. CLEANING SOLUTION BOTTLE
2		1	NOTE COMMENT	REF. FROM FRAME ASM.
3		1	NOTE COMMENT	REF. VALVE FROM FRAME ASM.
4	722030	2	Schlauchschele Nr. 6	
5	964002	1	Schraube 4.0X0.7 X 16 PN ST	
6	980621	1	WASHER 8 EXT. TOOTH PLTD	
7	980982	1	Flachscheibe Nr. 10 SAE metallüberzogen	
8	39725A	1	Rohr 1/4IN ID X 15 1/4IN	
9	39726A	1	TUBE 1/4 ID X 5 1/2	
10	39727A	1	TUBE 3/8 ID X 11 1/2	
11	40850A	1	Modul	
12	41084A	1	HARNESS CHEMICAL	
13	53186A	10	WIRE TIE 1/8 X 14.5 BLK	NOT ILLUSTRATED
14	53719A	1	Absperventil	
15	53721A	1	Chemiepumpe	
16	53736A	1	Drehknopf	
17	87618A	2	Flachscheibe .75X.39X.62 Nylon	
18	54778A	1	Abdeckkappe f. Adapter, 38 mm	
19	61772A	1	Halter Reinigungs- mittelpumpe	
20	61954B	1	CHEMICAL JUG BRACKET	
21	71489A	1	Aufkleber Chemical Settin	
22	85614A	4	SCREW8 32X3/4 PAN HD	
23	88644A	1	TEE REDUCING 1/2 TO 3/8	
24	9097023000	1	Adapter f. Chemie Tank	FOR SUTTER BOX