

Super 2000

ALTO[®]
Total Cleaning
Confidence[™]

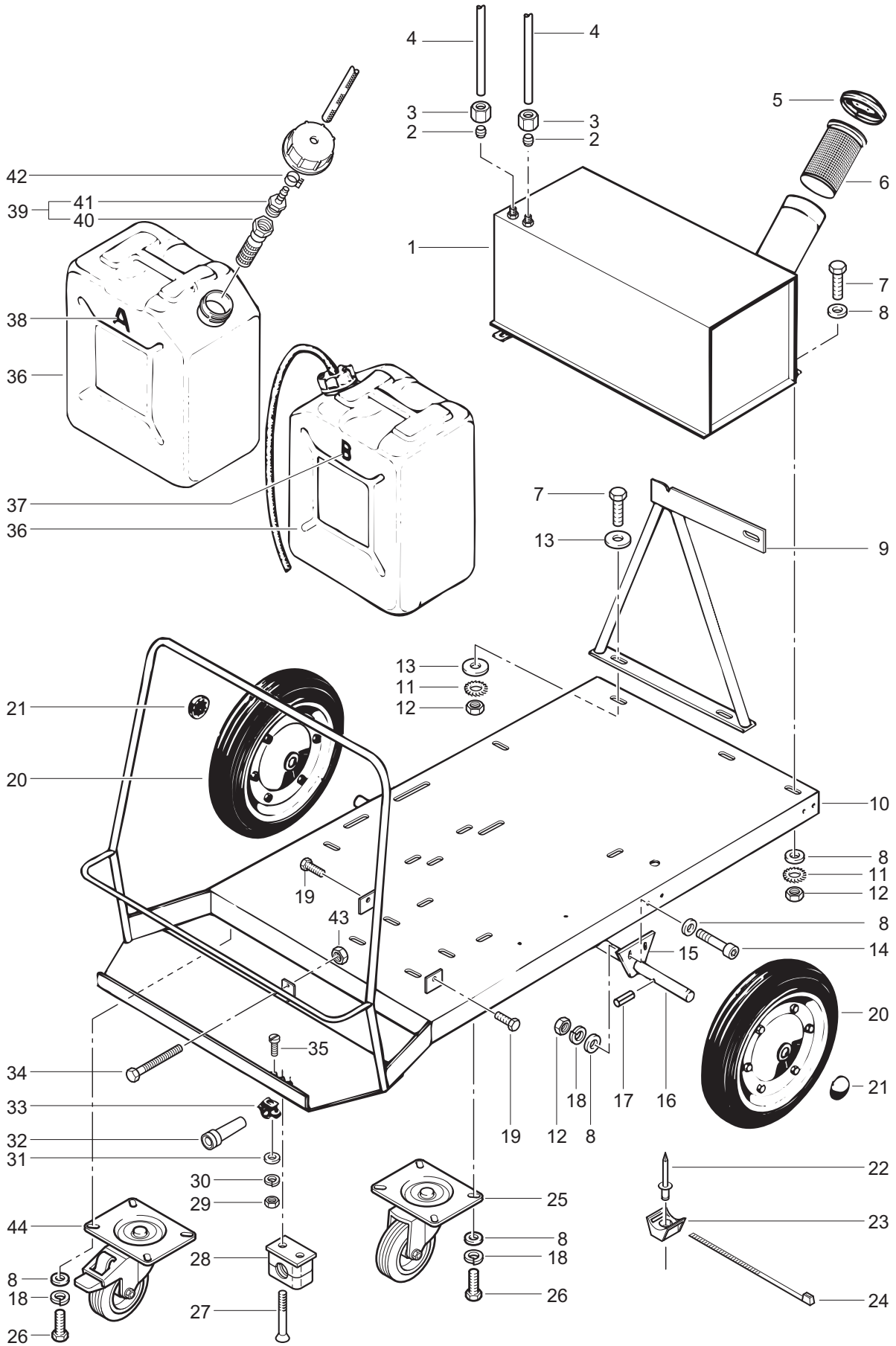


Spare parts
Ersatzteile
Pièces détachées

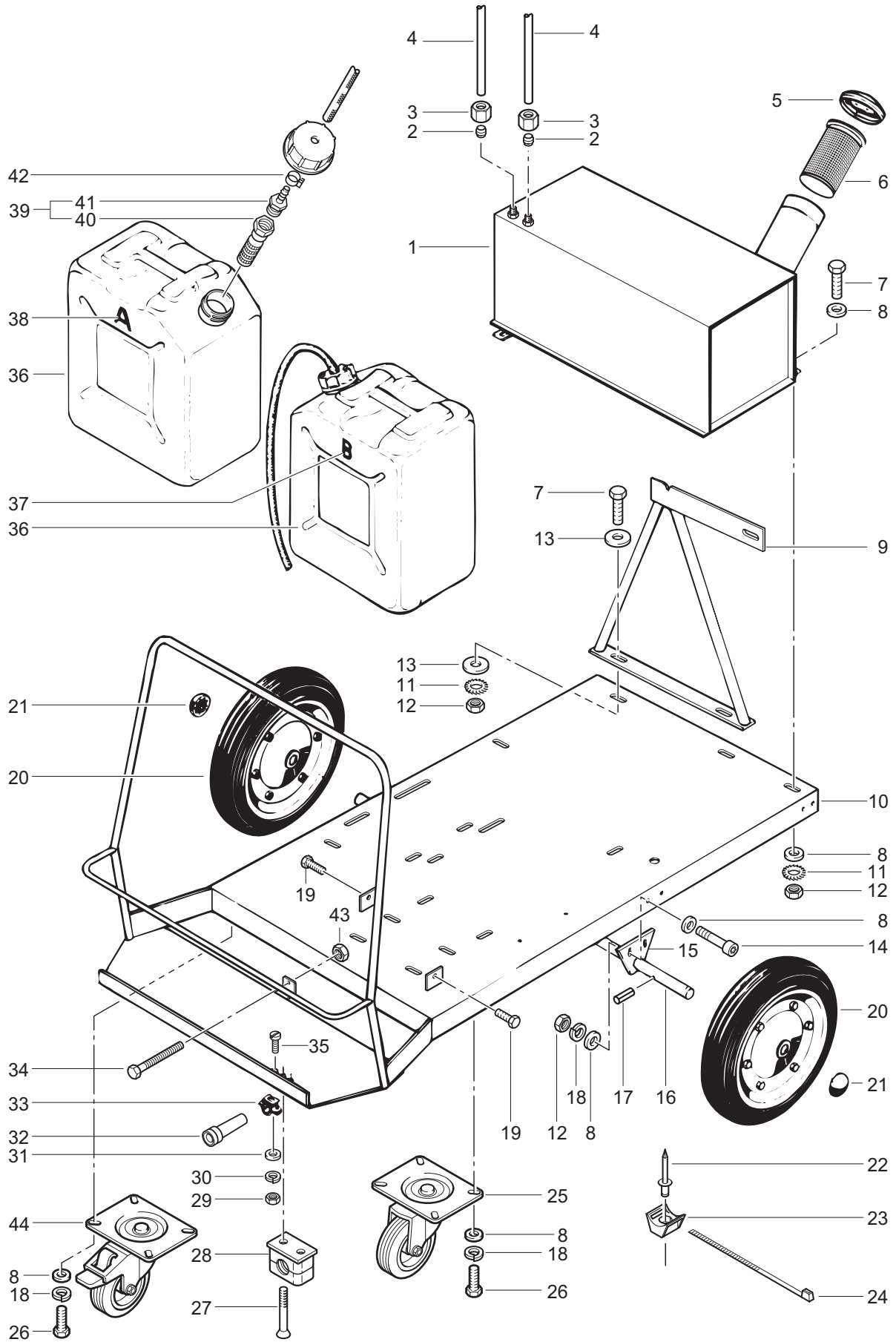
301 000 392
010302

Ersatzteile auf www.gluesing.net

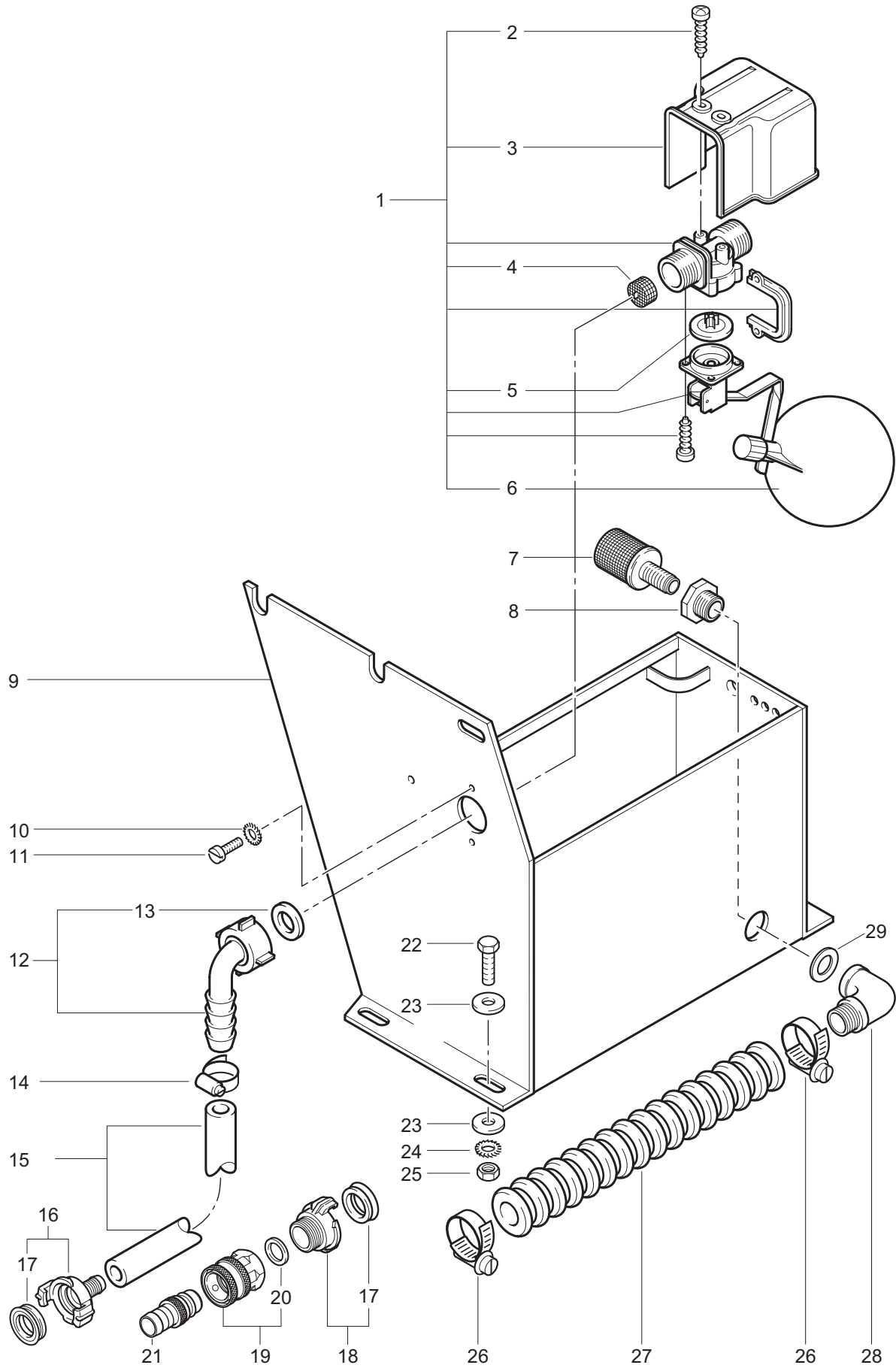
**WAP
KEW
TECHNOLOGIES**



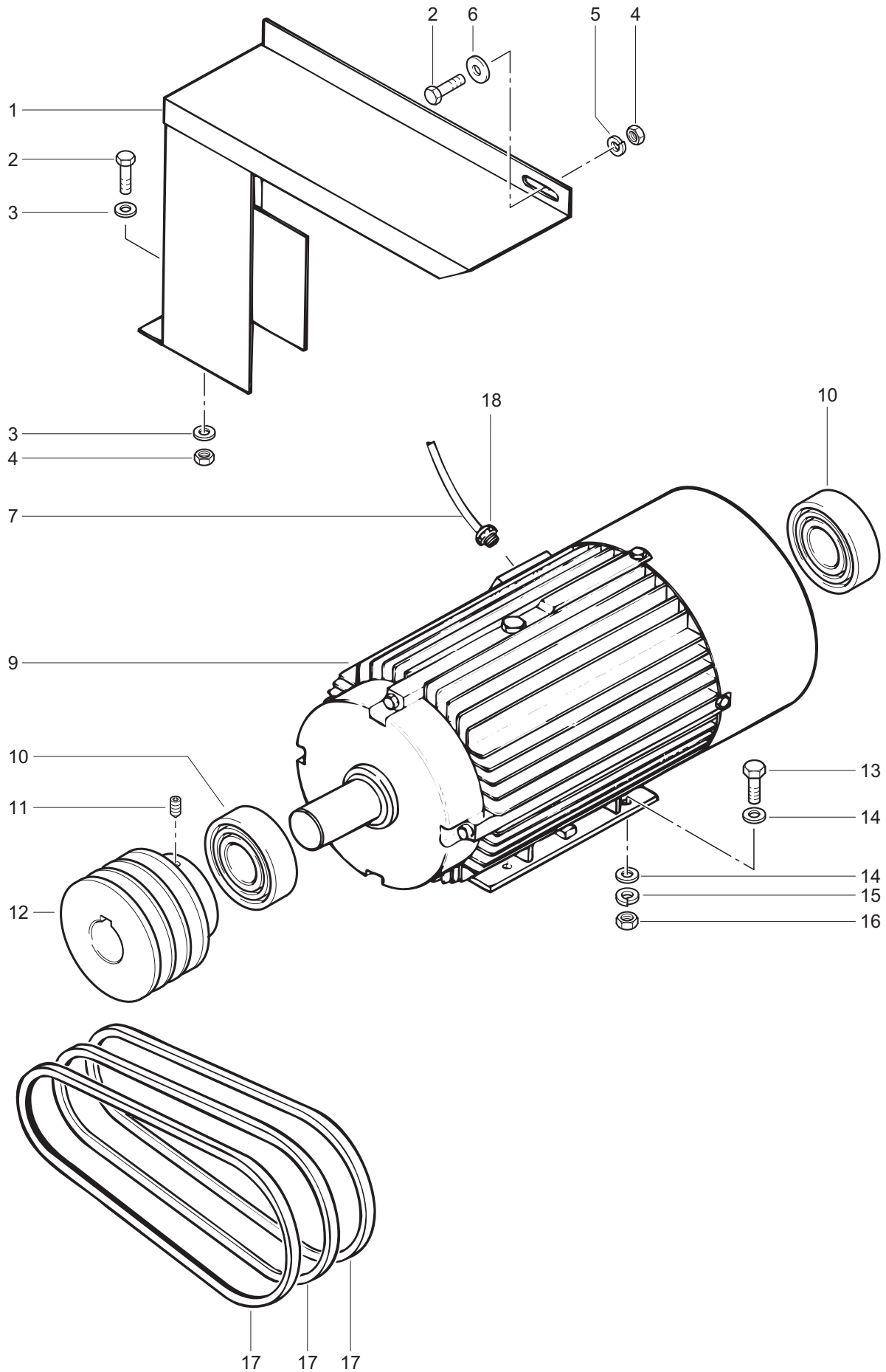
| POS. | NO. | BEZEICHNUNG | DESCRIPTION | DESIGNATION |
|------|---------------------------------------------------------------------------------|-------------------------------|-------------------------------|----------------------------------|
| 1 | 4928 | Tank | Tank | RESERVOIR SUPER 1300 |
| 2 | 1820 | Schneidring L 6 3861 ZN | Ring | JOINT L6 PAR 5 |
| 3 | 1368 | Überwurfmutter DIN 3870-A L 6 | CAP NUT | CAPUCHON PAR 5 |
| ◇ | 4 | Rohr MEWA DN 6X1 | DIN 73378 Pipe | TUBE D6X1 |
| 5 | 3406 | Tankdeckel | TANK LID | BOUCHON RESERVOIR |
| 6 | 3507 | Ölsieb | OIL STRAINER | FILTRE G.O |
| 7 | | Schraube M8 X 25 | DIN 933 screw M8 X 25 | DIN 933 Vis 6 pans M8x25 DIN 933 |
| 8 | | Scheibe 8,4x1,6 A 125 ZN | WASHER | RONDELLE PAR 10 |
| 9 | 4931 | Bügel geschweißt D20x430 | | |
| 10 | 4926 | Grundrahmen | | |
| 11 | | Zahnscheibe -A- 8,2 | DIN6797 WASHER | Rondelle |
| 12 | | Mutter 6KT- M8 | 934 ZN Nut 6KT- M8 934 ZN | ECROU M8 PAR 10 |
| 13 | | Scheibe 8,4x2,0 A 9021 ZN | WASHER | Rondelle |
| 14 | | Schraube M8 x 20 | DIN 933 screw M8 x 20 | DIN 933 Vis 6 pans M8x20 DIN 933 |
| 15 | 5221 | Platte | | |
| 16 | 5583 | Achse | Shaft | |
| 17 | 2775 | Spannstift DIN EN 28752 | 6 x36 Adaptor sleeve 6x36 | Goupille 6x36 |
| 18 | | Federring -A- 8 | DIN 127 Z Lock washer -A- 8 | DIN 1 RONDELLE |
| 19 | 6464 | Schraube M10 X100 | DIN 933 screw M10 X100 | DIN 933 Vis 6 pans M10x100 |
| 20 | 26499 | Rad D350 | WHEEL | |
| 21 | 3751 | Klemmkappe ø25 | HUB CAP | ENJOLIVEUR |
| 22 | 14714 | Niet A3,2x10x6,5 | Rivet A3,2x10x6,5 | Rivet |
| 23 | 4064 | Sockel | Support | Support |
| 24 | 15147 | Kabelband 3,5X1,3X175 PA | CABLE STRAP | ATTACHE CABLE NOIR |
| 25 | 1016 | Lenkrolle | GUIDE ROLLER | ROUE SUPER 2000 |
| 26 | | Schraube M8 x 20 | DIN 933 screw M8 x 20 | DIN 933 Vis 6 pans M8x20 DIN 933 |
| 27 | 8948 | Senkschraube M6X 45 | DIN 965 ZN | |
| 28 | 4037 | Stauflansch | CLAMP F WATER OUTLET PI BRIDE | |
| 29 | | Mut 6KT- M6 | 934 ZN Nut 6KT- M6 934 ZN | ECROU M6 |
| 30 | | Federring -A- 6 | DIN 127 Z Lock washer -A- 6 | DIN 1 Rondelle grower PAR 10 |
| 31 | | Scheibe 6,4X1,6 A 125 ZN | Washer 6,4X1,6 A 125 ZN | RONDELLE |
| 32 | 9954 | Knickschutzhülse SNR 16-1 | | |
| 33 | 10195 | Abstandschelle PG 9 | DISTANCE CLIP | COLLIER |
| 34 | 7115 | Schraube 6kt-M8x90 | EN 24017 | |
| 35 | 8946 | Senkschraube M6X 16 | DIN 965 ZI COUNTERSUNK SCREW | VIS M6 X 16 |
| ◇ | ACHTUNG! - Meterware - Bitte bei Bestellung gewünschte Länge angeben! | | | |
| ◇ | ATTENTION! - Lengths in metres - Please indicate required length when ordering! | | | |
| ◇ | ATTENTION! - Longueurs par mètre - Préciser la longueur à la commande! | | | |



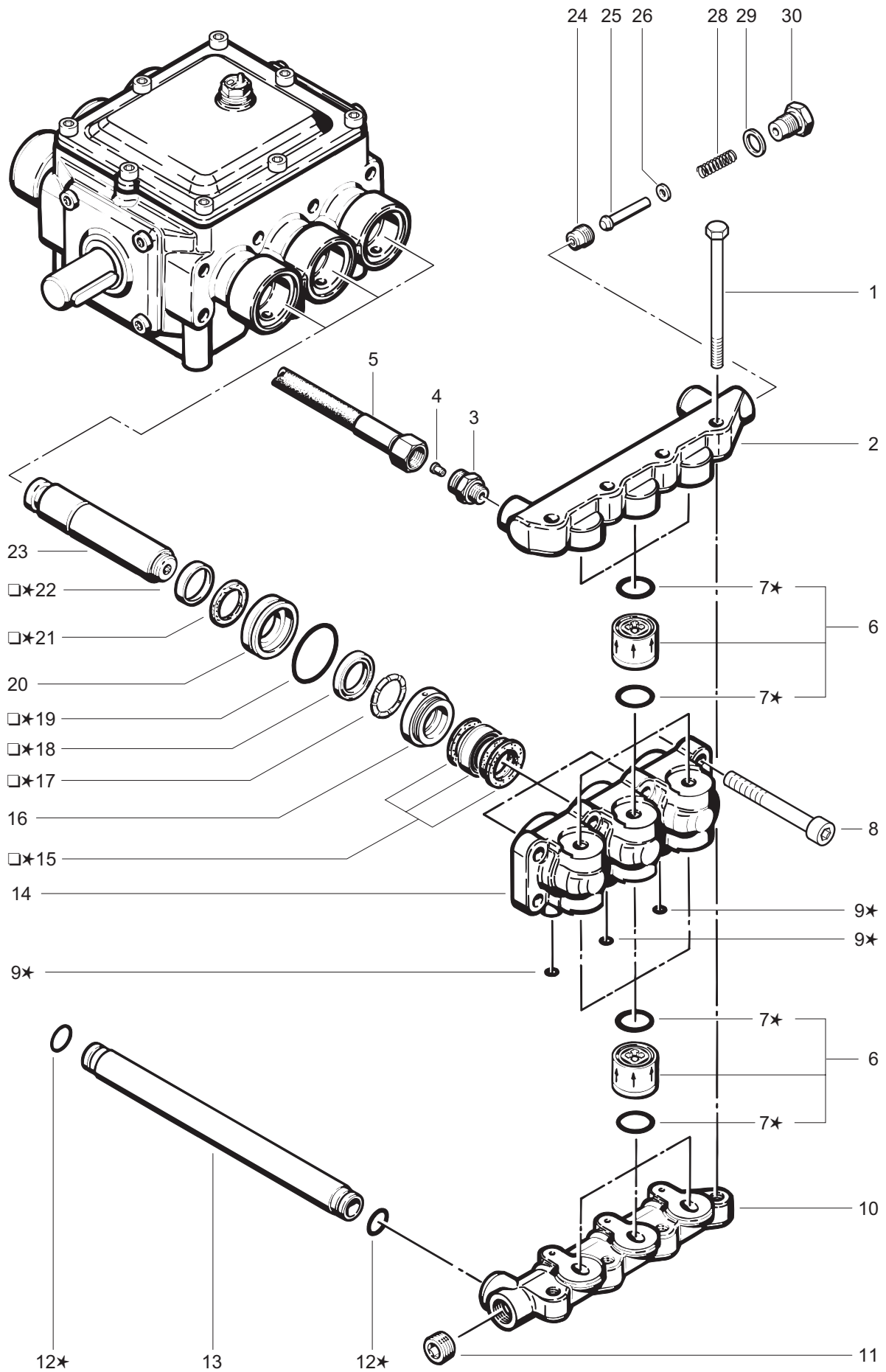
| POS. | NO. | BEZEICHNUNG | DESCRIPTION | DESIGNATION |
|------|-------|-------------------------------|----------------------------|---------------------|
| 36 | 4876 | Kanister 20 L | CAN WHITE | BIDON DE 20 L |
| 37 | 4983 | Klebeschild B | ADHESIVE LETTER B | LETTRE ADHESIVE "B" |
| 38 | 4982 | Klebeschild A | ADHESIVE LETTER A | LETTRE ADHESIVE "A" |
| 39 | 17508 | Fussventil | Foot valve assembly | Cræpine |
| 40 | 3205 | Fussventil | Foot valve 500 mm water cc | VANNE 3/8" |
| 41 | 5283 | Schlauchtülle DN 6 R3/8D4,5 | Hose liner | RACCORD CANNELLER |
| 42 | 11654 | Schlauchklemme D-11,5 | HOSE CLAMP | CLIP TUYAU PAR 5 |
| 43 | 6052 | Sechskantmutter M8 DIN 985 ZN | Hexagon nut M8 DIN 985 | ECROU M8 |
| 44 | 42246 | Lenkrolle | GUIDE ROLLER | ROULETTE AVEC FREIN |



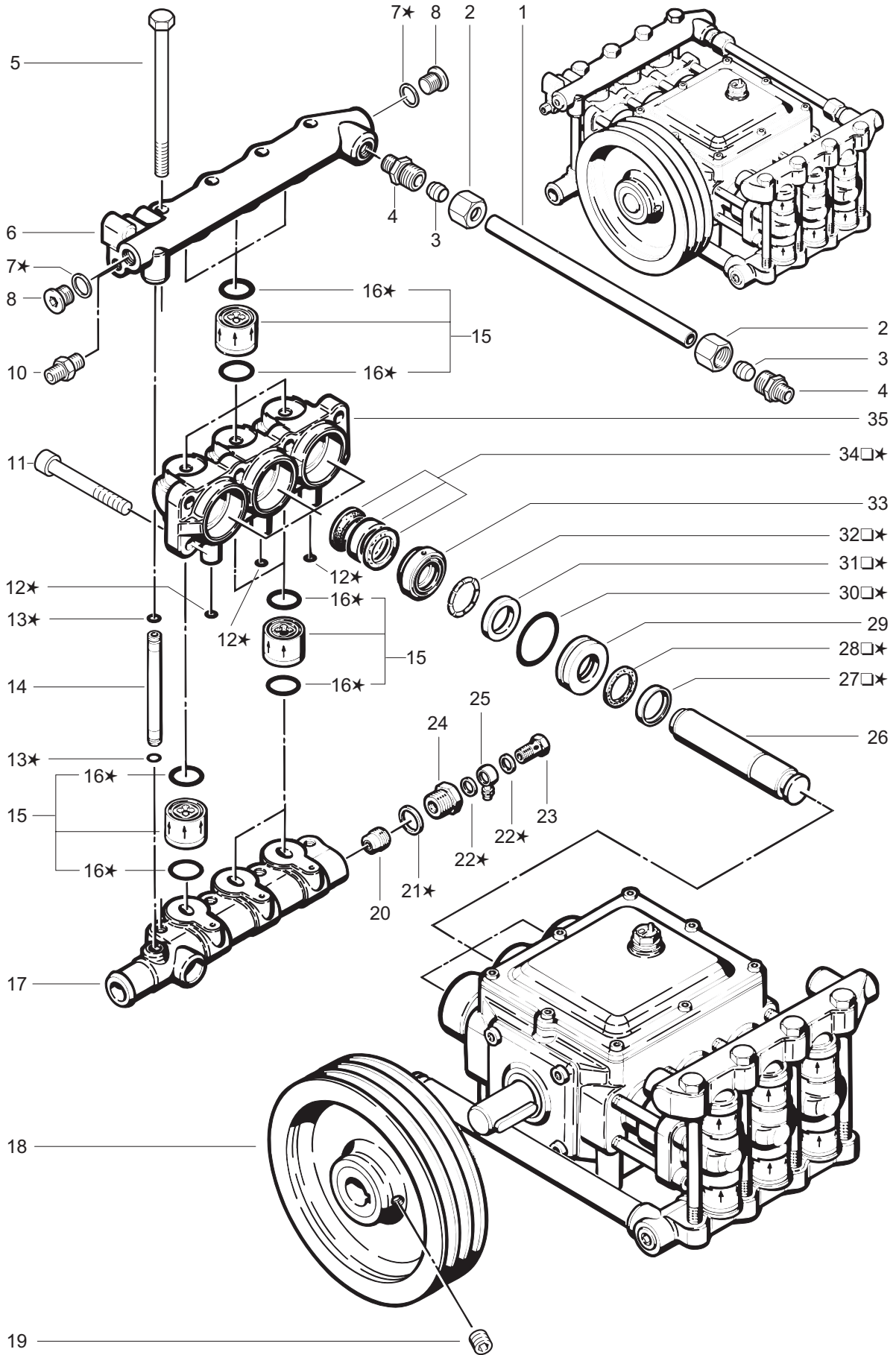
| POS. | NO. | BEZEICHNUNG | DESCRIPTION | DESIGNATION |
|-----------------------------------------------------------------------------------|---------|---------------------------------|-----------------------------------|-------------------------------|
| 1 | 31389 | Schwimmerventil | FLOAT VALVE LOW PRESSURE | Vanne flotteur basse pression |
| 2 | 16860 | Schraube EJOT- KA40X12 WN 1 | screw EJOT- KA40X12 WN | VIS PAR 10 |
| 3 | 34240 | Abdeckung (f.Schwimmer) | Cover (for float switch) | COUVERCLE |
| 4 | 33998 | Sieb | Filter | Filtre |
| 5 | 33999 | Membrane | MEMBRANE | MEMBRANE |
| 6 | 34000 | Schwimmerkugel | FLOAT BALL | BOULE DE FLOTTEUR |
| 7 | 33104 | Ansaugsieb G3/8" | Suction strainer G 3/8" | FILTRE G3/8" |
| 8 | 4176 | Verschraubung R 3/4-3/8" | Screwing R 3/4-3/8" | Raccord fileté |
| 9 | 4948 | Wasserkasten | WATER TANK | BAC TAMPON |
| 10 | | Scheibe 4,3X0,8 A 125 ZN | Screw 4,3X0,8 A 125 ZN | RONDELLE |
| 11 | | Schraube ZYL- M4X12 DIN 84 ZN | Socket head cap screw M4x12 | Vis cylindrique M4x12 DIN 84 |
| 12 | 5613 | Schlauchtülle DN13 Winkel 90° | HOSE LINER | TUYAU COUDE |
| 13 | 15587 | Dichtring 14X 24X 2 GUM | Packing ring 14X 24X 2 | G RACLETTE PAR 5 |
| 14 | 3211 | Schlauch-Schelle D20x9 | Hose clip S20/9 | Collier S20/9 |
| ◇ | 15 | 8050 | Schlauch DN 13 x4 MEWA (90°) Hose | TUYAU FLEX. 1/2" AU METRE |
| 16 | 1716 | GEKA Schlauchtülle 1/2" MS | GEKA hose coupling 1/2" | ACCOUPL. GEKA MAN 1/2" |
| 17 | 6502 | Dichtung Form f.GEKA-Kupplung | Moulded gasket for GEKA coupling | JOINT POUR COUPLEUR GEKA |
| 18 | 2463 | GEKA-Gewindestück 3/4"A MS | GEKA threaded fitting 3/4" | ACCOUPL. GEKA EXT 3/4" |
| 19 | 1602945 | Schnellkupplung kpl. 3/4" | quick coupling | RACC. RAPIDE FEMELLE BP 3/4" |
| 20 | 3001237 | Dichtring ø24,5x ø16,0x 3,0 NBR | Packing ring ø24,5x ø16,0x 3,0 | JOINTS PAR 10 |
| 21 | 1600659 | Nippel für Schnellkupplung | Nipple | RACCORD RAPIDE MALE/M |
| 22 | | Schraube M8 X 25 DIN 933 St-Zn | screw M8 X 25 DIN 933 | Vis 6 pans M8x25 DIN 933 |
| 23 | | Scheibe 8,4x2,0 A 9021 ZN | WASHER | Rondelle |
| 24 | | Zahnscheibe -A- 8,2 DIN6797 | WASHER | Rondelle |
| 25 | | Mutter 6KT- M8 934 ZN | Nut 6KT- M8 934 ZN | ECROU M8 PAR 10 |
| 26 | 1042 | Schlauch-Schelle D25-40 | HOSE CLIP | Collier de serrage |
| 27 | 28069 | Schlauch Tubano-DN25x 320 | HOSE TUBANO NW 25 X 32 | DURITE |
| 28 | 4825 | Winkel 3/4" | Angle 3/4" | Coude |
| 29 | 2377 | Dichtring 27X38X2 IT | Packing ring 27X38X2 | l' Anneau d'isolation |
| ◇ ACHTUNG! - Meterware - Bitte bei Bestellung gewünschte Länge angeben! | | | | |
| ◇ ATTENTION! - Lengths in metres - Please indicate required length when ordering! | | | | |
| ◇ ATTENTION! - Longueurs par mètre - Préciser la longueur à la commande! | | | | |



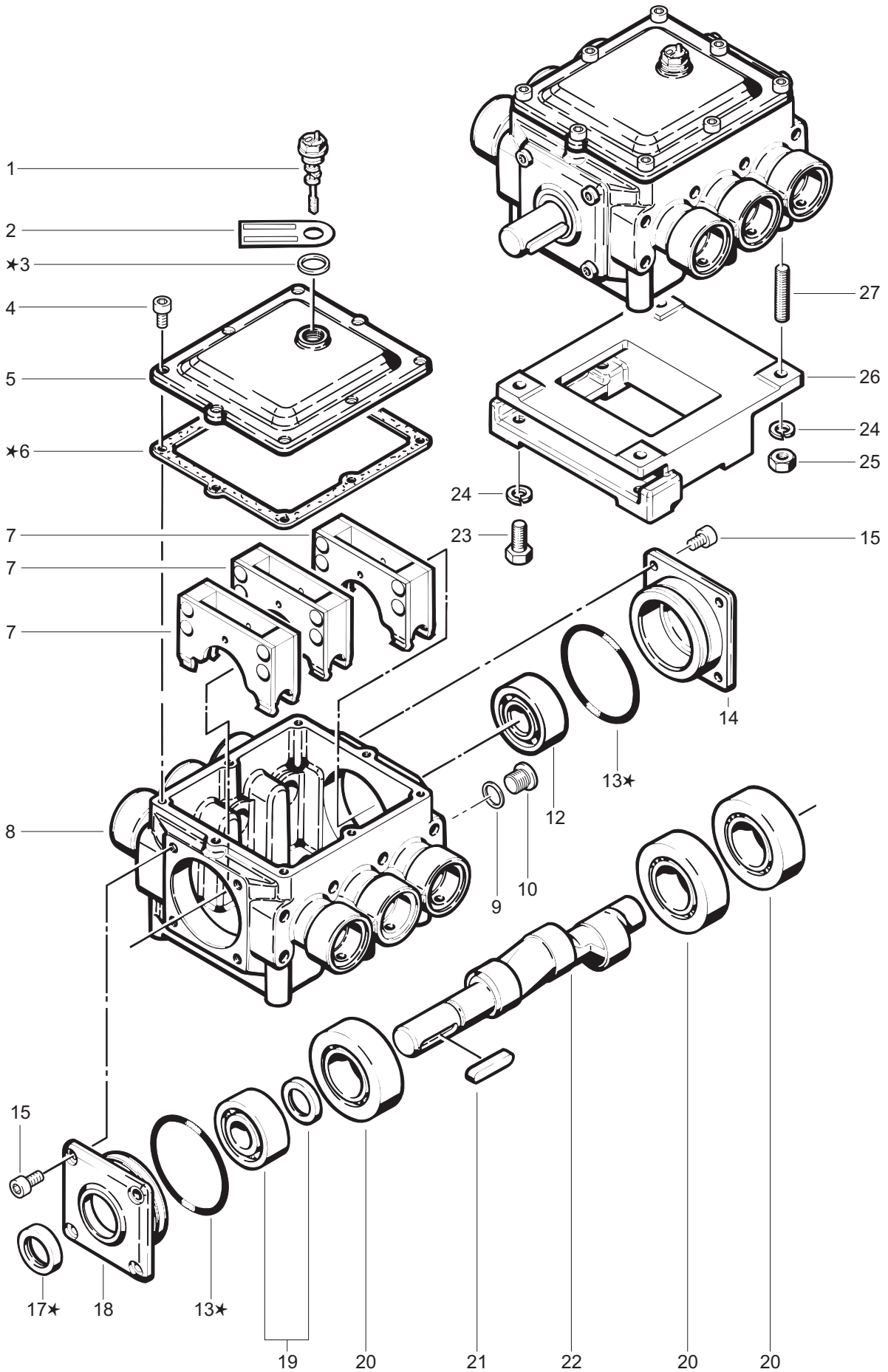
| POS. | NO. | BEZEICHNUNG | DESCRIPTION | DESIGNATION |
|------|-------|----------------------------------|--------------------------------|--------------------------|
| 1 | 4927 | Keilriemenschutz | V-BELT PROTECTION | |
| 2 | | Schraube M8 x 20 DIN 933 | screw M8 x 20 DIN 933 | Vis 6 pans M8x20 DIN 933 |
| 3 | | Scheibe 8,4x1,6 A 125 ZN | WASHER | RONDELLE PAR 10 |
| 4 | | Mutter 6KT- M8 934 ZN | Nut 6KT- M8 934 ZN | ECROU M8 PAR 10 |
| 5 | | Federring -A- 8 DIN 127 | Z Lock washer -A- 8 DIN 1 | RONDELLE |
| 6 | | Scheibe 8,4x2,0 A 9021 ZN | WASHER | Rondelle |
| 7 | 8236 | Leitung Motor 7X2,5 X1,4 | | |
| 9 | 4165 | Motor 7,5KW 220/380V 50Hz | Motor 7,5KW 220/380V 50 STATOR | |
| 10 | 9299 | Wälzlager 6308-Z | Anti-friction bearing | Roulement |
| 11 | 6652 | Gewindestift DIN 914 M6x10 | Set screw DIN 914 M6x10 | Vis de pression M6x10 |
| 12 | 33126 | Keilriemenscheibe SPA 96-3 | V-belt pulley | POULIE |
| 13 | 17624 | Schraube 6KT- M10X 40 DIN 933 ZN | | |
| 14 | 4827 | Scheibe 10,5x2,5 A 9021 ZN | Washer 10,5x2,5 A 9021 | Rondelle 10,5X2,5 |
| 15 | 4828 | Federring -A-10 DIN 127 | Lock washer -A-10 DIN | RONDELLE M10 |
| 16 | 4826 | Mutter 6KT- M10 934 ZN | Nut 6KT- M10 934 ZN | ECROU FREIN M 10 |
| 17 | 4167 | Keilriemen SPA 982 | V-Belt SPA 982 | COURROIE |
| 18 | 64904 | Kabelverschraubung M32x1,5 | | |



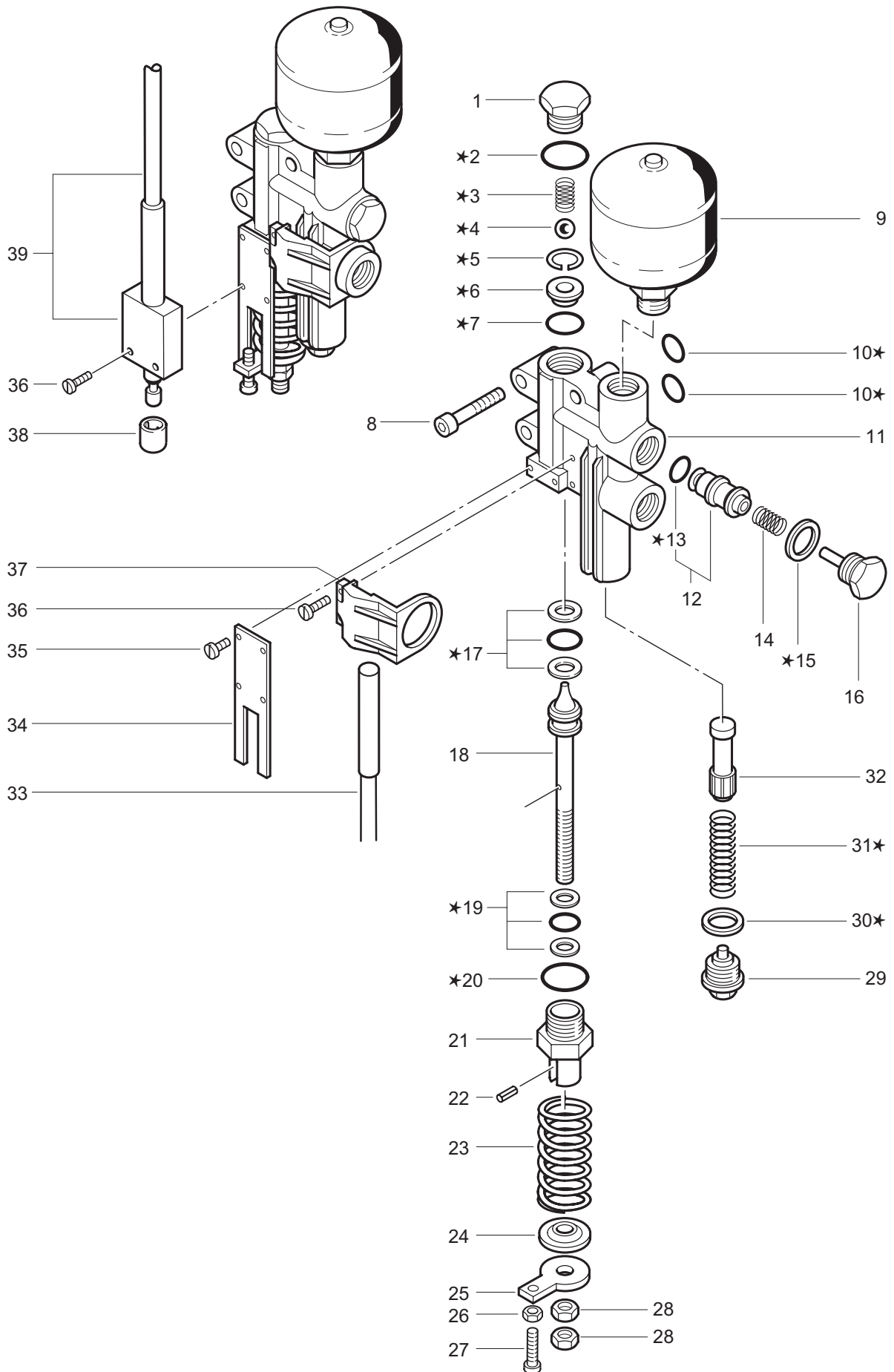
| POS. | NO. | BEZEICHNUNG | DESCRIPTION | DESIGNATION |
|------|-------|----------------------------------------------|-----------------------------|--------------------------|
| 1 | 4699 | Skt. Schraube M10x150 | Hexagonal bolt M10x150 | BOULON |
| 2 | 16578 | Druckplatte | Pressure plate | CULASSE |
| 3 | 1230 | Verschraubung XGE 6LR1/4 ST | Screwing XGE 6LR1/4 ST | 1/4` lance galvanisee |
| 4 | 5214 | Drossel | | RACCORD |
| 5 | 6364 | HD-Schlauch DN 6 X550 | HP hose DN 6 X550 | TUYAU |
| 6 | 9684 | Ventil kpl. ET-Set | Valve compl. | SOUPAPE DE SECURITE |
| ★ | 7 | O-Ring 24,0 X2,0 DIN 3770 | O-Ring 24,0 X2,0 DIN 37 | JOINT TORIQUE PAR 10 |
| 8 | 13921 | Zyl. Schraube M10x100 | Cap screw M10x100 | |
| ★ | 9 | O-Ring 4,3 X2,4 SMS 1586 | O-Ring 4,3 X2,4 SMS 15 | JOINT TORIQUE PAR 10 |
| 10 | 16575 | Saugplatte | Suction plate | CULASSE |
| 11 | 16634 | Schraube Verschluss- M20x1,5 | screw Verschluss- M20x1,5 | |
| ★ | 12 | O-Ring 17,0 X2,0 DIN 3770 | O-Ring 17,0 X2,0 DIN 37 | BAGUE PAR 10 |
| 13 | 16633 | Rohr | Pipe | TUBE LIAISON |
| 14 | 13994 | Ventilblock | Valve block | CULASSE SUPER1860/2000T |
| ★□ | 15 | Dichtsatz | Gasket set | JOINT |
| 16 | 16297 | Druckring | Pressure ring | JOINT |
| ★□ | 17 | Stützring 26 x3,5/2,2 | Supporting ring 26 x3,5/ | JOINT |
| ★□ | 18 | Nutring 24x 35x 5/2,5 | GROOVED RING | BAGUE CANNELEE |
| ★□ | 19 | O-Ring 43,0 x2,0 NBR70 | O-Ring 43,0 x2,0 NBR7 | JOINT |
| 20 | 16298 | Leckwasserring | Ring | ANNEAU RET EAU POMPE 6F |
| ★□ | 21 | Ring D34XD24X2 GUM | Ring | JOINTS PAR 5 |
| ★□ | 22 | Wellendichtring A 25X 33X 6 DIN | Shaft seal ring A 25X 33X € | JOINT D'HUILE |
| 23 | 16362 | Kolben | Piston | PISTON POMPE 6 PISTONS |
| 24 | 9587 | Einsatz | Insert 4/6 K 220 | Entrée |
| 25 | 9586 | Kolben | Piston | PISTON 4/6K 220 WAS 5465 |
| 26 | 5474 | Dichtring 6,6X13X2 PTFE | Packing ring 6,6X13X2 PT | Bague d'emballage |
| 28 | 5464 | Druckfeder 1,0 X7,9 X35,0 VA | Spring 1,0 X7,9 X35,0 VA | RESSORT |
| 29 | 1409 | Dichtring 17x23 A7603 CU | Packing ring 17x23 A7603 | JOINT SPY |
| 30 | 5466 | Schraube Verschluss- R3/8x30 A2 | screw Verschluss- R3/8x30 | ECROU |
| | 33090 | Dichtungssatz f .6 Kolben bestehend aus □ | Gasket set for 6 pistons | GARNITURES PISTONS SUPE |
| | 33092 | Dichtungssatz Pumpe bestehend aus ★ | Gasket set for pump 6A | KIT JOINTS |



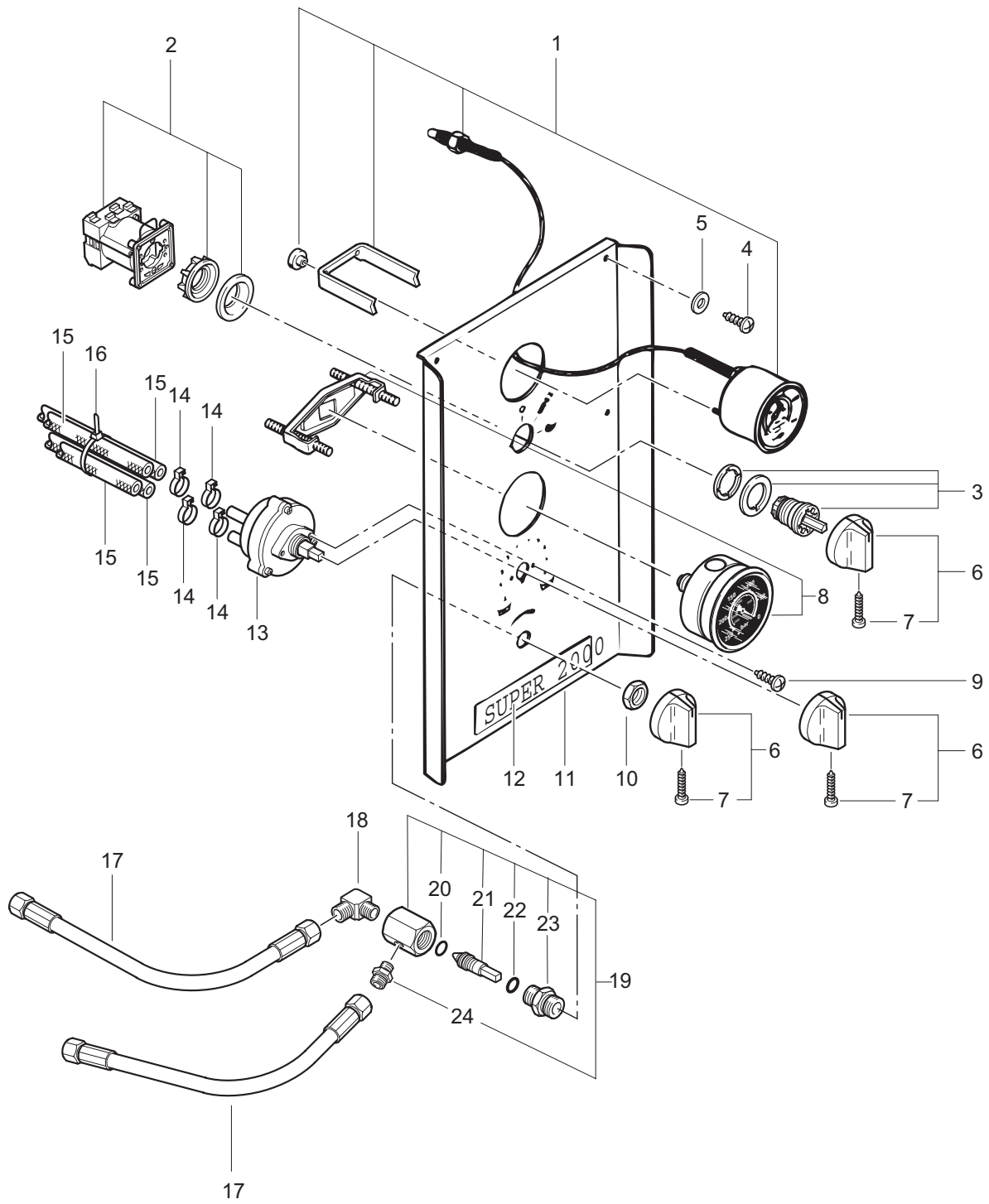
| POS. | NO. | BEZEICHNUNG | DESCRIPTION | DESIGNATION |
|------|-------|---------------------------------------------|---------------------------------|----------------------------------------------------|
| 1 | 16757 | Rohr | Pipe | TUBE LIAISON |
| 2 | 1081 | Überwurfmutter DIN 3870-A L 12 | CAP NUT | CAPUCHON D'ECROU PAR 5 |
| 3 | 1080 | Schneidring L12 X10,5 ZN | Ring | RACCORD OLIVE L12X10,5 |
| 4 | 3938 | Verschraubung XGE 12LR1/4" ZN | Screwing XGE 12LR1/4" ZN | VIS 12LR1/4" ZN |
| 5 | 4699 | Skt. Schraube M10x150 | Hexagonal bolt M10x150 | BOULON |
| 6 | 16584 | Druckplatte | Pressure plate | CULASSE |
| ★ | 7 | 11340 | Dichtring 13,5X18 A7603 CU | Packing ring 13,5X18 A7603 Joint |
| 8 | 42312 | Schraube Vers.G1/4 DIN 908 Zn | Screw plug G1/4 | Bouchon |
| 10 | 1821 | Verschraubung XGE 6LR1/8 ZN | Screwing XGE 6LR1/8 ZN | RACCORD TUYAU FIOUL |
| 11 | 13921 | Zyl. Schraube M10x100 | Cap screw M10x100 | |
| ★ | 12 | 16320 | O-Ring 4,3 X2,4 SMS 1586 | O-Ring 4,3 X2,4 SMS 15 JOINT TORIQUE PAR 10 |
| ★ | 13 | 32014 | O-Ring 7,5 X1,5 NBR70 | O-Ring 7,5 X1,5 Joint torique (précédement 3 |
| 14 | 16639 | Rohr | Pipe | TUBE LIAISON |
| 15 | 9684 | Ventil kpl. ET-Set | Valve compl. | SOUPAPE DE SECURITE |
| ★ | 16 | 3702 | O-Ring 24,0 X2,0 DIN 3770 | O-Ring 24,0 X2,0 DIN 37 JOINT TORIQUE PAR 10 |
| 17 | 16580 | Saugplatte | Suction plate | CULASSE |
| 18 | 4430 | Keilriemenscheibe SPA 200-3 | V-belt pulley | POULIE |
| 19 | 9678 | Gewindestift M10x16 DIN 916 | | |
| 20 | 9587 | Einsatz | Insert 4/6 K 220 | Entrée |
| ★ | 21 | 1469 | Dichtring 20X24 A7603 CU | Packing ring 20X24 A7603 JOINT |
| ★ | 22 | 1605 | Dichtring 10X14 A7603 CU | Packing ring 10X14 A7603 JOINT D'ETANCHEITE PAR 10 |
| 23 | 17190 | Hohlschraube R1/8 X27 VA | BANJO BOLT | RACCORD BANJO |
| 24 | 16635 | Stopfen M20x1,5x14 Ms | Plug | COUVERCLE |
| 25 | 4970 | Ringtülle DN6 D10 | Z Ring nipple | ANNEAU |
| 26 | 16362 | Kolben | Piston | PISTON POMPE 6 PISTONS |
| ★□ | 27 | 4286 | Wellendichtring A 25X 33X 6 DIN | Shaft seal ring A 25X 33X 6 JOINT D'HUILE |
| ★□ | 28 | 6881 | Ring D34XD24X2 GUM | Ring JOINTS PAR 5 |
| 29 | 16298 | Leckwasserring | Ring | ANNEAU RET EAU POMPE 6P |
| ★□ | 30 | 16328 | O-Ring 43,0 x2,0 NBR70 | O-Ring 43,0 x2,0 NBR70 JOINT |
| ★□ | 31 | 16329 | Nutring 24x 35x 5/2,5 | GROOVED RING BAGUE CANNELEE |
| ★□ | 32 | 16709 | Stützring 26 x3,5/2,2 | Supporting ring 26 x3,5/2,2 JOINT |
| 33 | 16297 | Druckring | Pressure ring | JOINT |
| ★□ | 34 | 16295 | Dichtsatz | Gasket set JOINT |
| 35 | 13994 | Ventilblock | Valve block | CULASSE SUPER1860/2000T |
| | 33090 | Dichtungssatz f.6 Kolben bestehend aus □ | Gasket set for 6 pistons | GARNITURES PISTONS SUPER |
| | 33092 | Dichtungssatz Pumpe bestehend aus ★ | Gasket set for pump 6A | KIT JOINTS |



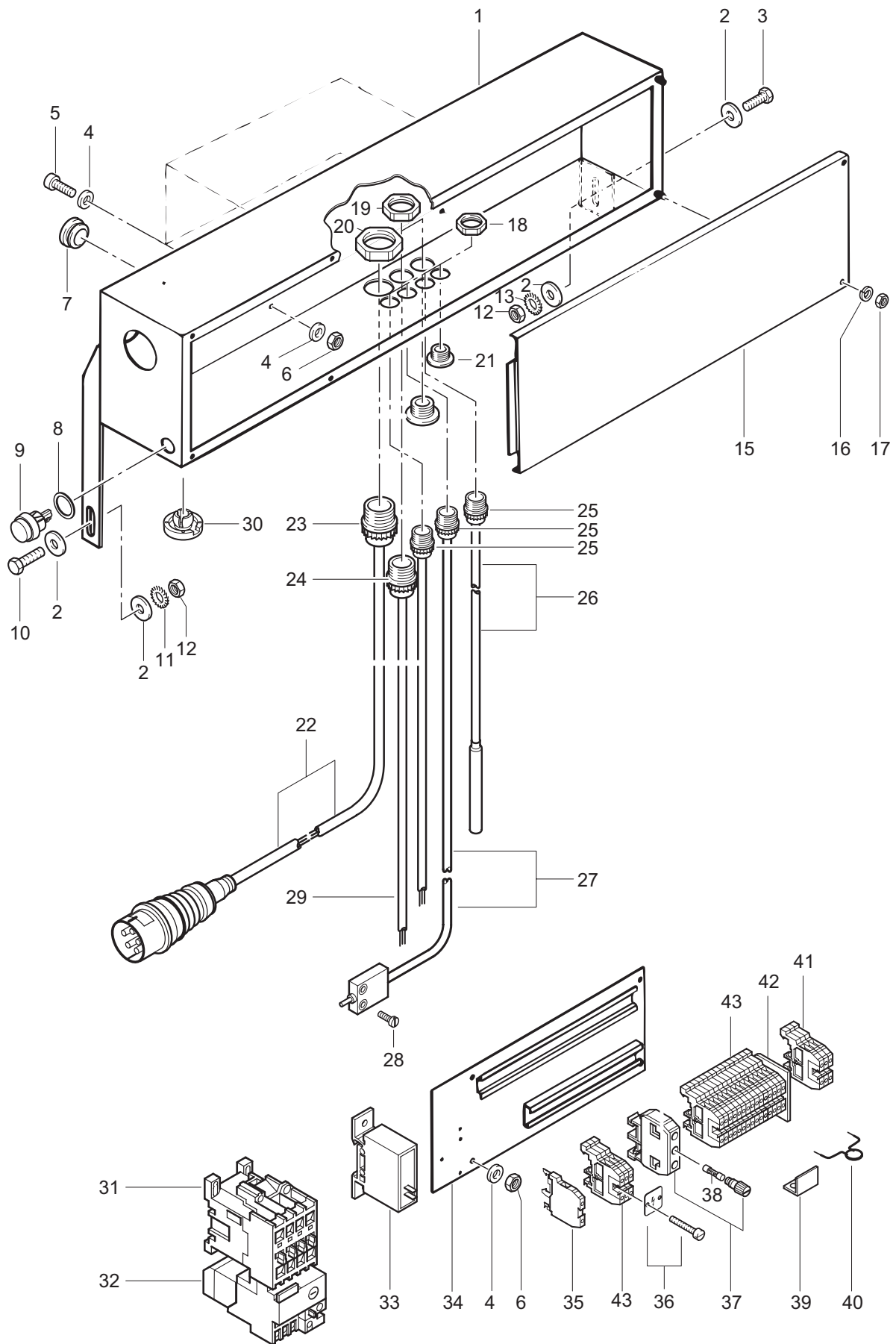
| POS. | NO. | BEZEICHNUNG | DESCRIPTION | DESIGNATION |
|------|-------|----------------------------------------|----------------------------|---------------------------|
| 1 | 16627 | Ölstopfen vorm. | Oil plug | RACCORD |
| 2 | 16191 | Schild | Label | Etiquette |
| ★ | 3 | Dichtung D22/16,5x2 NBR | Gasket D22/16,5x2 NBR | JOINT |
| 4 | | Schraube M6 X 16 8.8 DIN 912 | screw M6 X 16 8.8 DIN 9 | VIS PAR 10 |
| 5 | 16004 | Gehäusedeckel | Housing cover | |
| ★ | 6 | Dichtung 174 x160 x 1 Kork | Gasket 174 x160 x 1 Cc | JOINT 174X160X1 |
| 7 | 16354 | Joch | Yoke | ETRIER |
| 8 | 13956 | Pumpengehäuse | Pump housing | |
| 9 | 11340 | Dichtring 13,5X18 A7603 CU | Packing ring 13,5X18 A760 | Joint |
| 10 | 42312 | Verschlußschraube G1/4 DIN 908 | Screw plug G1/4 | Bouchon |
| 12 | 3674 | Wälzlager NJ2305 | Anti-friction bearing | ROULEMENT |
| ★ | 13 | O-Ring 82,0 x2,0 NBR70 | O-Ring 82,0 x2,0 NBR70 | |
| 14 | 16006 | Seitendeckel | Cover | |
| 15 | | Zyl. Schraube M 8x 16 | Cap screw M 8x 16 | |
| ★ | 17 | Wellendichtring 25x 40x 7 | Shaft seal ring 25x 40x 7 | KIT JOINT D'HUILE |
| 18 | 16008 | Seitendeckel | Cover | |
| 19 | 3673 | Wälzlager NUP2305 | Anti-friction bearing | ROULEMENT |
| 20 | 3672 | Wälzlager RNU2208 DIN5412 Zyl | Roller bearing | ROULEMENT |
| 21 | 4505 | Passfeder 8x7x45 geschliffen | Fitting key | CLAVETTE POMPE L3000/CS |
| 22 | 3671 | Antriebswelle | Drive shaft | VILEBREQUIN |
| 23 | 6014 | Schraube M10 X 25 8.8 DIN 933 | screw M10 X 25 8.8 DIN 9 | VIS M10x25 6 PANS DIN 933 |
| 24 | 10204 | Fächerscheibe A10,5 DIN 6798 | Serrated lock washer A10,5 | Rondelle |
| 25 | 4826 | Mutter 6KT- M10 934 ZN | Nut 6KT- M10 934 ZN | ECROU FREIN M 10 |
| 26 | 31426 | Pumpenkonsole | | SUPPORT DE POMPE |
| 27 | 31584 | Gewindestift M10X50 913 ZN | THREADED PIN | |
| | 33092 | Dichtungssatz Pumpe bestehend aus ★ | Gasket set for pump 6A | KIT JOINTS |



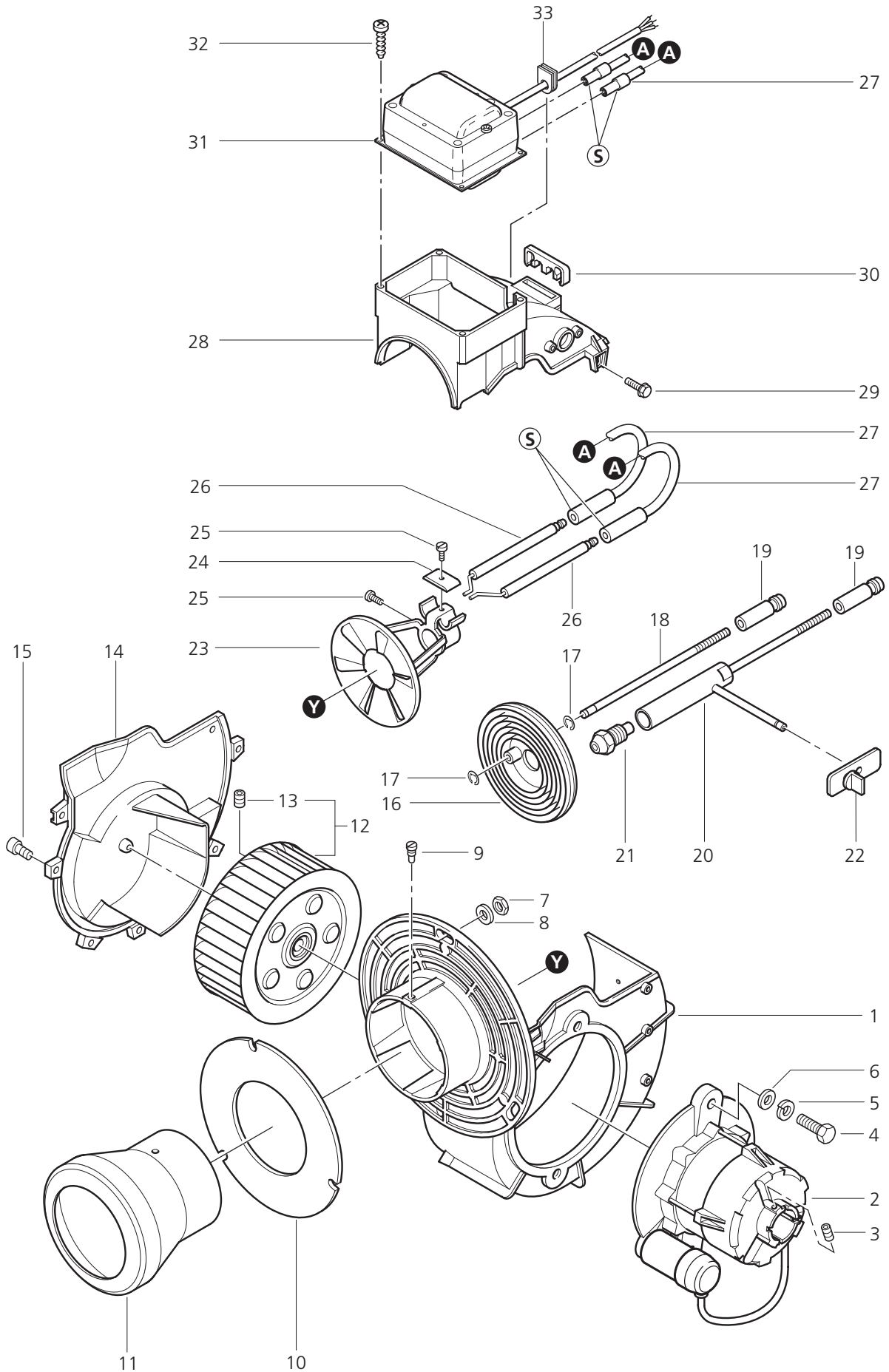
| POS. | NO. | BEZEICHNUNG | DESCRIPTION | DESIGNATION |
|------|-----|-------------|---------------------------------|-----------------------------------------------------------|
| | 1 | 9575 | Verschlusschraube M18x1 lø10x | Screw plug Bouchon |
| ★ | 2 | 4656 | O-Ring 16,0 X2,0 DIN 3770 | O-Ring 16,0 X2,0 DIN 37 JOINT TORIQUE 16X2 |
| ★ | 3 | 9855 | Druckfeder 1,3 X9/10X16,5 VA | Spring 1,3 X9/10X16,5 VA RESSORT PRESSION PAR 5 |
| ★ | 4 | 9854 | Kugel Ø10 gehärtet DIN 5401-2 | Ball DOUILLE 10 |
| ★ | 5 | 9853 | Sprengring ø14 x 1,3 | Safety ring D14x1 DIN 472 CIRCLIPS PAR 10 |
| ★ | 6 | 9851 | Dichtsitz D7 xD11xD13,85x2,4 | Seal seat D7 xD11xD13,85x RONDELLE 7X11X13,85 |
| ★ | 7 | 9852 | O-Ring 11,0 X1,5 | NBR70-Ring 11,0 X1,5 JOINT TORIQUE PAR 10 |
| | 8 | | Schraube M6 X 35 12.6 DIN 912 | screw M6 X 35 12.6 DIN 912 Vis M6x35 |
| | 9 | 14537 | Hydrospeicher DO,2-200 30 | Hydraulic accumulator DO,2-200 30 AMORTISSEUR HYDRAULIQUE |
| ★ | 10 | 9569 | O-Ring 9,0 X1,5 | NBR70-O-Ring 9,0 X1,5 JOINT TORIQUE PAR 10 |
| | 11 | 16623 | Gehäuse | Housing CORPS BY PASS |
| | 12 | 16629 | Kolben | Piston PISTON |
| ★ | 13 | 9858 | O-Ring 6,0 X3,0 SMS 1586 | O-Ring 6,0 X3,0 SMS 15 JOINT TORIQUE PAR 10 |
| | 14 | 18067 | Druckfeder 0,5 X 9 X15,0 VA | Spring 0,5 X 9 X15,0 VA RESSORT |
| ★ | 15 | 1407 | Dichtring 17X23 C7603 CU | Packing ring 17X23 C7603: Anneau d'isolation |
| | 16 | 16625 | Verschlusschraube G3/8 Zapfen ø | PLUG FOR REG SAFETY BLO BOUCHON |
| ★ | 17 | 9856 | Dichtpackung D16 | Sealing packing STEUERKO KIT JOINT |
| | 18 | 16152 | Steuerkolben M8x1x115,8VA | BY PASS PLUNGER PISTON 8x1x115,8VA |
| ★ | 19 | 9857 | Dichtpackung | Sealing packing KIT JOINT |
| ★ | 20 | 4656 | O-Ring 16,0 X2,0 DIN 3770 | O-Ring 16,0 X2,0 DIN 37 JOINT TORIQUE 16X2 |
| | 21 | 16105 | Deckel 6kt. M18x1x41 MS | Cover hexagonal M18x1x41 COUVERCLE |
| | 22 | 16067 | Spannstift DIN EN 28752 3 x14 | PIN GOUPILLE |
| | 23 | 11453 | Druckfeder 5,0 X21,0X51,0 ST | Spring 5,0 X21,0X51,0 ST RESSORT |
| | 24 | 9862 | Federdruckscheibe 25X8,2X6 | SPRING PRESSURE WASHER RONDELLE DE CENTRAGE |
| | 25 | 9744 | Anschlagplatte | STOP PLATE Plaque d'appui |
| | 26 | | Mut 6kt- M5 934 ZN | Nut 6kt- M5 934 ZN ECROU M5 |
| | 27 | | Schraube ZYL- M5X20 DIN 84 ZN | CHEESE HEAD SCREW VIS CYLINDRIQUE M5x20 |
| | 28 | | Sechskantmutter M8x1 B 439 ZN | NUT Ecrou |
| | 29 | 13662 | Stopfen M16X1,5 SW13 MS | PLUG BOUCHON |
| ★ | 30 | 13663 | Dichtring 16X20 A7603 CU | Packing ring 16X20 A7603: JOINT |
| ★ | 31 | 6231 | Druckfeder 0,5x11,0x44,0 VA | Spring 0,5x11,0x44,0 VA RESSORT PAR 10 |
| | 32 | 34249 | Kolben Kpl.. | PISTON KIT WAS7129/1447 KIT PISTON |
| | 33 | 6687 | Rohrmagnetschalter 1400 Ig | REED CONTACT INTERRUPTEUR MAGNETIQUE |
| | 34 | 9745 | Halteblech BL2 22X80 | Mounting plate BL2 22X80 Toile de fixation |
| | 35 | 5140 | Schraube ZYL- M3X 6 DIN 84 ZN | Socket head cap screw M3x VIS PAR 10 |
| | 36 | 9747 | Schraube ZYL- M3X12 DIN 84 ZN | Socket head cap screw M3x Vis M3x12 |
| | 37 | 13722 | Halter | Bracket RED POM Support |
| | 38 | 13608 | Anschlagkappe | Stop cap 11.5 PE CAPOT BUTEE |
| | 39 | 9900 | Endschalter- (Kabel 1250) | SWITCH INTERRUPTEUR |
| | | 15151 | Dichtungssatz | Gasket set KIT JOINTS |
| | | | bestehend aus ★ | |



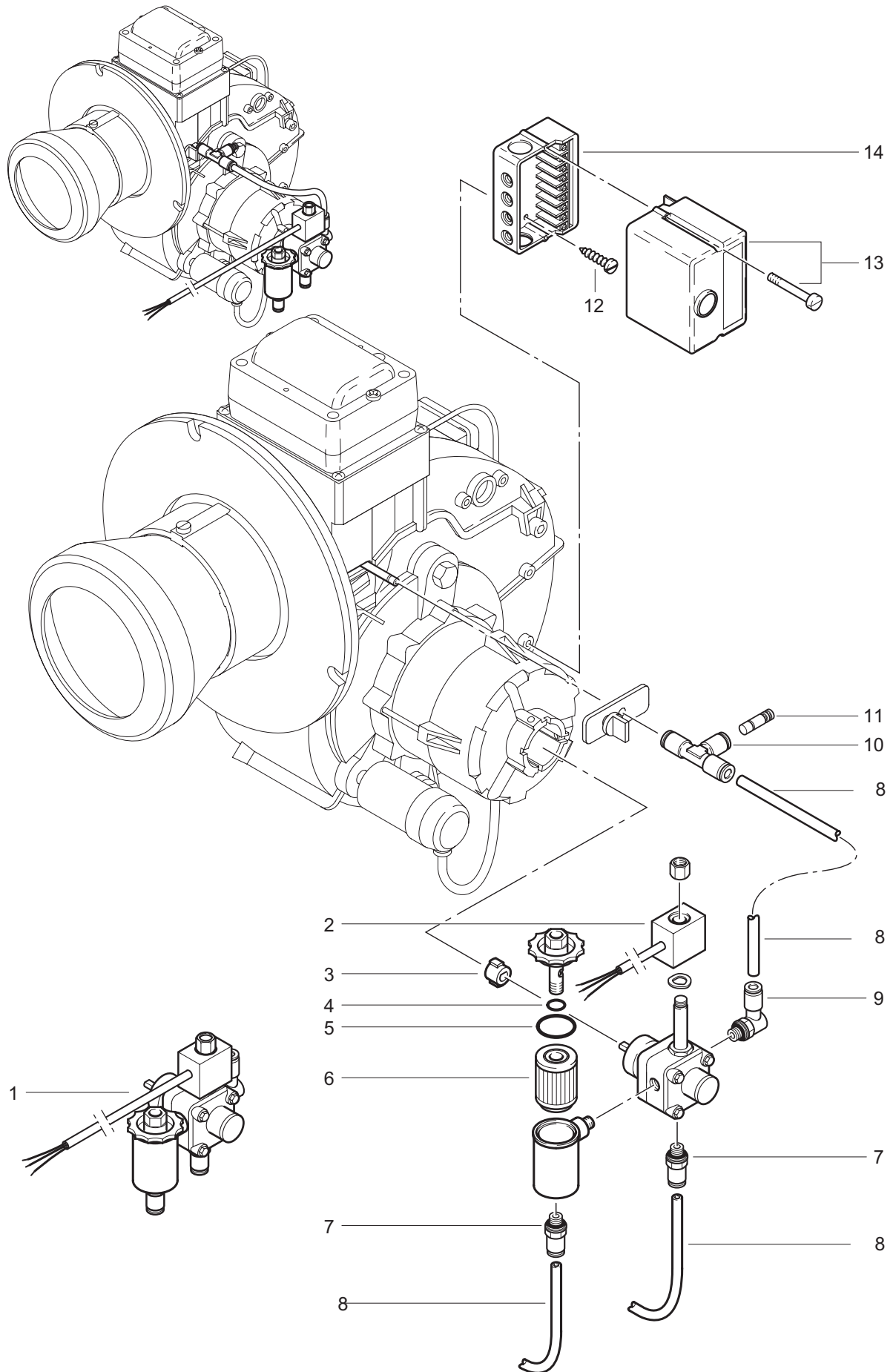
| POS. | NO. | BEZEICHNUNG | DESCRIPTION | DESIGNATION |
|------|--------------------------------------------------------------------------------|----------------------------------------------------------|-------------------------------|----------------------------------|
| 1 | 4886 | Kontaktfernthermometer | CONTACT TELETHERMOME | THERMOSTAT |
| 2 | 40333 | Nockenschalter "0-1-2" | MAIN SWITCH | |
| 3 | 21089 | Betätigungsvorsatz | Actuator fitting | ACCOUPLLEMENT |
| 4 | 40107 | Schraube BI- 4,8x13 | screw BI- 4,8x13 | Vis |
| 5 | | Fächerscheibe -A- 5,3 DIN 6798 | Serrated lock washer -A- 5,3 | RONDELLE EVANTAIL A 5.3 |
| 6 | 66041 | Drehknopf 4Kt m.Schraube | Rotary knob square with screw | |
| 7 | 4036 | Blechschaube 2,9x9,5C-H7981 | Z Sheet metal screw 2,9x9,5 | VIS 2.9 X 9.5 |
| 8 | 31748 | Manometer 0-250 BAR | PRESSURE GAUGE | MANOMETRE 0-250 BAR |
| 9 | 4036 | Blechschaube 2,9x9,5C-H7981 | Z Sheet metal screw 2,9x9,5 | VIS 2.9 X 9.5 |
| 10 | 1399 | Mutter 6KT- G3/8 | Nut 6KT- G3/8 | FLACH MS CONTRE ECROU 1404 |
| 11 | 4954 | Armaturen Brett | Control panel | SUPPORT D'ARMATURE |
| 12 | 33115 | Klebeschild Super 2000 | | |
| 13 | 4819 | Dosierventil kpl. 6166 Dichtungssatz für Dosierventil | Metering valve assembly | VANNE DE DOSAGE |
| 14 | 11654 | Schlauchklemme D-11,5 | HOSE CLAMP | CLIP TUYAU PAR 5 |
| ◇ | 15 | 4973 | Schlauch DN 6 x3 MEWA | Hose Tuyau DN6X3 PVC PR. METE |
| 16 | 8819 | Kabelband 4,5X1,0X350 PA | CABLE STRAP | CORDON PAR 10 |
| 17 | 6364 | HD-Schlauch DN 6 X550 | HP hose DN 6 X550 | TUYAU |
| 18 | 1642 | Verschraubung GL6 R1/8 2353 ZN | Screwing GL6 R1/8 2353 ZN | COUDE |
| 19 | 4906 | Druckmengenreguliertventil | Pressure/volume control val | BOITIER CONTRO.ECOULEM |
| 20 | 16925 | O-Ring 8,0 X2,0 DIN 3770 | O-Ring 8,0 X2,0 DIN 377 | JOINT TORIQUE PAR 10 |
| 21 | 4899 | Kolben | | |
| 22 | 4457 | Dichtring 18X22 A7603 CU | Packing ring 18X22 A760 | JOINT CUIVRE |
| 23 | 4900 | Nippel M18x1,5 R3/8 | Nipple M18x1,5 R3/8 | VIS 22X23 |
| 24 | 1821 | Verschraubung XGE 6LR1/8 ZN | Screwing XGE 6LR1/8 ZN | RACCORD TUYAU FIOUL |
| ◇ | ACHTUNG! - Meterware - Bitte bei Bestellung gewünschte Länge angeben! | | | |
| ◇ | ATTENTION! - Lengths in metres - Please indicate required lenth when ordering! | | | |
| ◇ | ATTENTION! - Longueurs par mètre - Préciser la longueur à la commande! | | | |



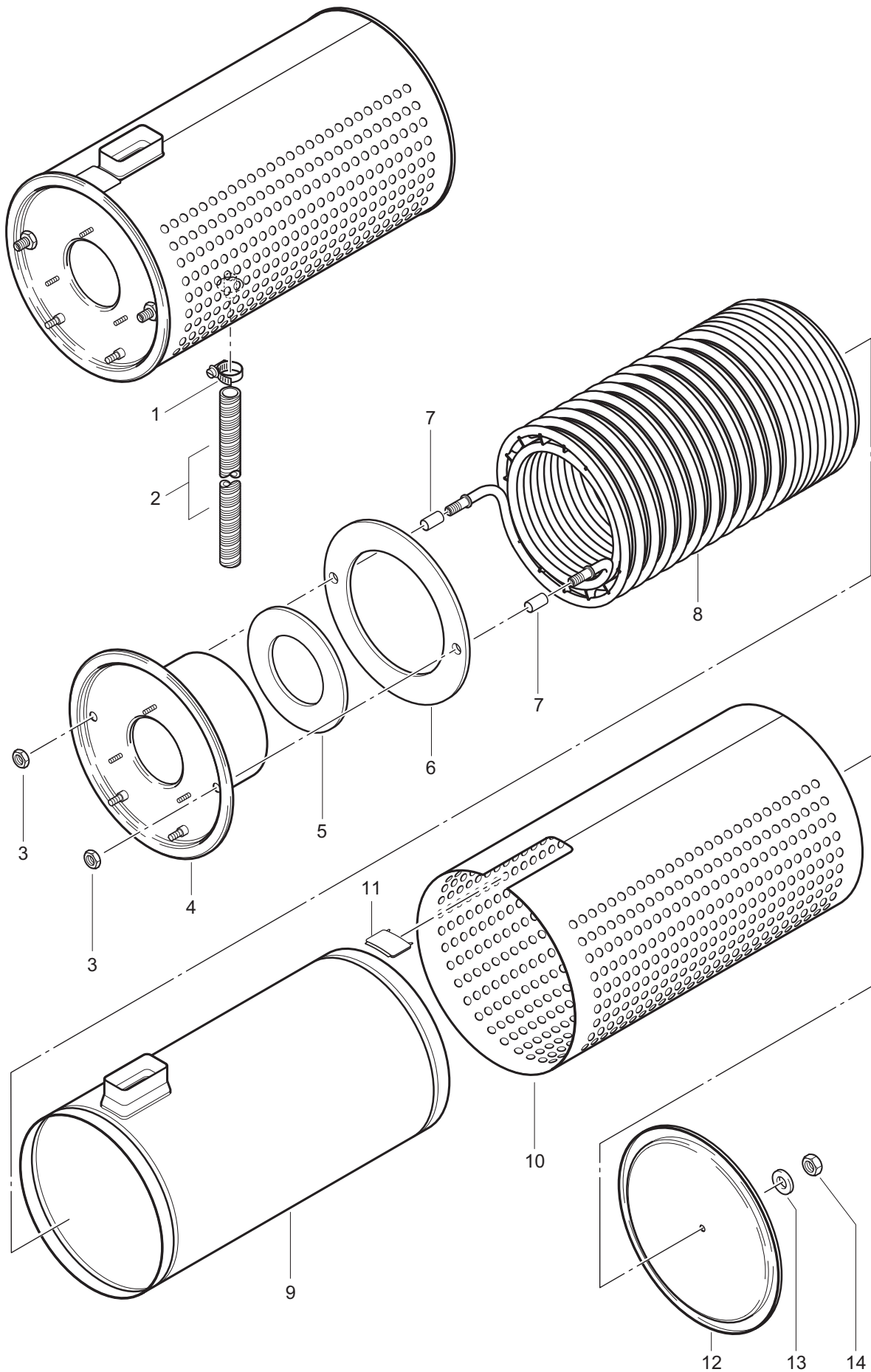
| POS. | NO. | BEZEICHNUNG | DESCRIPTION | DESIGNATION |
|------|-------|---------------------------------|-------------------------------------|------------------------------|
| 1 | 4955 | Schaltkasten | | |
| 2 | | Scheibe 8,4x2,0 A 9021 ZN | WASHER | Rondelle |
| 3 | 2753 | Schraube M8 x 20 DIN 933 | screw M8 x 20 DIN 933 | Vis 6 pans M8x20 DIN 933 |
| 4 | | Fächerscheibe -A- 5,3 DIN 6798 | Serrated lock washer -A- 5,3 | RONDELLE EVANTAIL A 5.3 |
| 5 | | Schraube Zyl- M5x16 DIN 84 ZN | Socket head cap screw M5x | VIS RA |
| 6 | | Mut 6kt- M5 934 ZN | Nut 6kt- M5 934 ZN | ECROU M5 |
| 7 | 5042 | Kabeltülle KT 16 | Cable Bushing | Douille pour cable |
| 8 | 6625 | Dichtung D21X16X0,5 NR70 | Gasket D21X16X0,5 NR70 | ANNEAU |
| 9 | 6494 | Taster 1POL.2(1)A 250V | STEAM RELEASE BUTTON | BOUCHON POUSSOIR |
| 10 | | Schraube M8 X 25 DIN 933 | screw M8 X 25 DIN 933 | Vis 6 pans M8x25 DIN 933 |
| 11 | | Zahnscheibe -A- 8,2 DIN6797 | WASHER | Rondelle |
| 12 | | Mutter 6KT- M8 934 ZN | Nut 6KT- M8 934 ZN | ECROU M8 PAR 10 |
| 13 | | Federring -A- 8 DIN 127 | Z Lock washer -A- 8 | DIN 1 RONDELLE |
| 15 | 4956 | Deckel | Cover | Couvercle |
| 16 | | Federring -A- 6 DIN 127 | Z Lock washer -A- 6 | DIN 1 Rondelle grower PAR 10 |
| 17 | 2790 | Mutter HUT- M6 1587 ZN | | Ecrou |
| 18 | 1459 | Mutter 6KT PG 11 46320 MS | Nut 6KT PG 11 46320 | MSECROU |
| 19 | 1762 | Mutter 6KT PG 16 46320 MS | Nut 6KT PG 16 46320 | MSECROU POUR L 3000 |
| 20 | 5045 | Mutter 6KT PG 21 46320 MS | Nut 6KT PG 21 46320 | MSCONTRE ECROU |
| 21 | 1462 | Verschluss N PG 11 DIN 46320 | T Cable gland PG 11 | Raccord à vis pour câbles PC |
| 22 | 14920 | Netzleitung H07RN-F 5G2,5x6,5 | Cable H07RN-F 5G2,5x6,5 | Câble électrique a. fiche |
| | 29059 | Leitung GUM.5M X5G2,5H07RN-F | | ohne Stecker |
| 23 | 5044 | Würgenippel PG 21 offen grau PV | Grommet PG 21 offen | Raccord à vis pour câbles |
| 24 | 2642 | Würgenippel PG 16 offen grau PV | Grommet PG 16 offen | PRESSE ETOUPE POUR L 3000 |
| 25 | 3367 | Würgenippel PG 11 offen grau PV | Grommet PG 11 offen | RONDELLE PAR 10 |
| 26 | 6687 | Rohrmagnetschalter 1400 Ig | REED CONTACT | INTERRUPTEUR MAGNETIQUE |
| 27 | 9900 | Endschalter (Kabel 1250) | SWITCH | INTERRUPTEUR |
| 28 | 9747 | Schraube ZYL- M3X12 DIN 84 ZN | Socket head cap screw M3x | Vis M3x12 |
| 29 | 3396 | Steuer-Leitung Mewa 5x 1,5 | CONTROL CABLE 5X1.5MM | |
| 30 | 54949 | Entlüftungsstopfen | | |
| 31 | 63910 | Schütz 100-C23KF10 230V/50-60Hz | Contacteur 100-C23KF10 230V/50-60Hz | 7, |
| | 63911 | Schütz 100-C23N10 380-400V/50Hz | Contacteur 100-C23N10 380-400V/50Hz | 7, |
| 32 | 63877 | Motorschutzrelais 12-32 A | OVERCURRENT RELAY | |
| 33 | 14063 | Zeitrelais | TIME RELAY was 3091/414 | RELAIS |
| 34 | 5692 | Platte | | |
| 35 | 10108 | Endklammer | Terminal clamp | SERRE BORNE POUR 5037 |
| 36 | 5115 | Klemmenabdeckung M4/6 +2 Schr. | | |
| 37 | 5038 | Klemme SI- SAKS 1 | Terminal block | SUPPORT FUSIBLE |
| 38 | 5509 | Feinsicherung T 6,3AL 20x5mm | FINE SIRE FUSE | FUSIBLE 6,3A PAR 10 |
| 39 | 5449 | Querverbinder 2-POL. | | |
| 40 | 26787 | Varistor | | ANTIPARASITE |
| 41 | 5040 | Reihenklemme GR-GE 4qmm | Electrical terminal 4mm² | BORNE DE TERRE |
| 42 | 5039 | Abschlussplatte für S-Kl. | End plate for S-Kl | Disque |
| 43 | 5037 | Reihenklemme-grau 4qmm | Electrical terminal 4mm² | BORNIER DE CABLAGE |



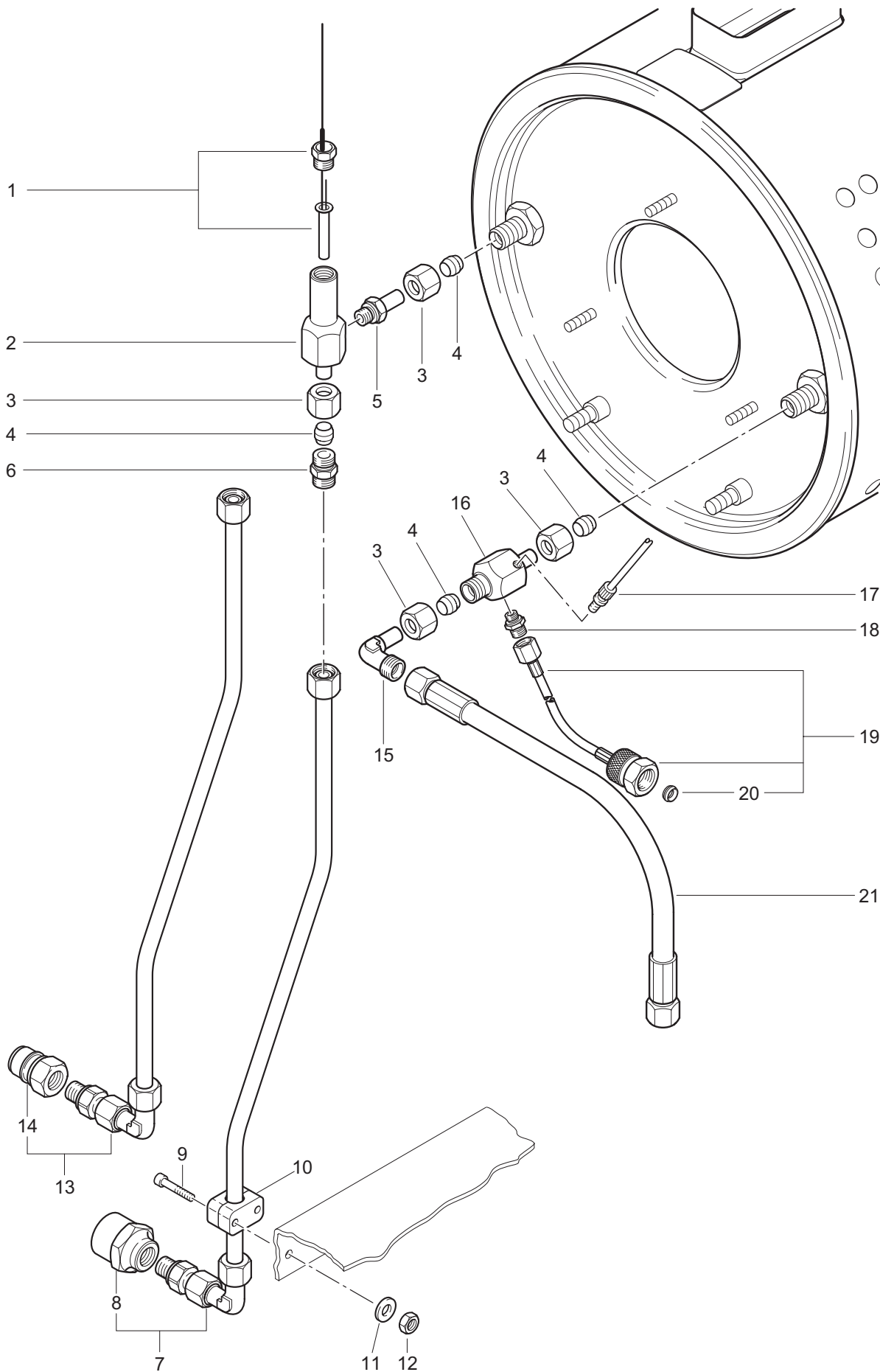
| POS. | NO. | BEZEICHNUNG | DESCRIPTION | DESIGNATION |
|------|-----------|----------------------------------|-------------------------------|-----------------------------------|
| 1 | 17209 | Gebläsegehäuse | Fan housing preassembled | PLAQUE |
| 2 | 14955 | Brennermotor 150W 220V 50H | Burner motor 150W 220V | MOTEUR BRULEUR 150W 220V |
| 3 | 30180 | Gewindestift DIN 914 M5x10 | Set screw DIN 914 M5x10 | VIS M5X10 DIN 914 |
| 4 | | Schraube M8 X 25 DIN 933 | screw M8 X 25 DIN 933 | Vis 6 pans M8x25 DIN 933 |
| 5 | | Federring -A- 8 DIN 127 | Z Lock washer -A- 8 | DIN 1 RONDELLE |
| 6 | | Scheibe 8,4x1,6 A 125 ZN | WASHER | RONDELLE PAR 10 |
| 7 | | Sechskantmutter M8 DIN 985 ZN | Hexagon nut M8 DIN 985 | ECROU M8 |
| 8 | | Scheibe 8,4x2,0 A 9021 ZN | WASHER | Rondelle |
| 9 | 17698 | Schraube FL-KPF- M6X 6X6 DIN 913 | Pan head screw M6x6x6 DIN 913 | Vis à tête aplatie M6x6x6 DIN 913 |
| 10 | 33644 | Dichtring 120x225x5 TB-TH | Packing ring 120x225x5 TB | JOINT D'ETANCHEITE |
| 11 | 33111 | Flammentrichter | Flame funnel | ST TUYERE |
| 12 | 14109 | Gebläserad D160X62 1/2"ZN | Blower wheel D160X62 1/2" | VENTILATEUR D160X62 1/2" |
| 13 | 3289 | Gewindestift DIN 913 M8x10 | Set screw DIN 913 M8x10 | Vis de pression M8x10 DIN 913 |
| 14 | 30970 | Gehäusedeckel | Housing cover preassemble | AIR DISK FOR THE BURNER |
| 15 | | Schraube M5 x 10 8.8 DIN 912 | screw M5 x 10 8.8 DIN 912 | Vis cylindrique M5x10 DIN 912 |
| 16 | 31303 | Regulierscheibe D100 | AIR DISC | REGULATEUR |
| 17 | 14117 | Sicherungsscheibe D4 DIN6799 | SAFETY DISC | RONDELLES D4 PAR 10 |
| 18 | 17784 | Führungsstab 6X160 | Guide rod, round 6X160 | GUIDE SUPPORT BRULEUR |
| 19 | 17783 | Hülse M6 D12X42 | BUSH was 31309 | DOUILLE |
| 20 | 17785 | Düsenstock kpl. | Nozzle block assembly | Connexion |
| 21 | 301000077 | Öldüse 2,5gal/h 60°/A | | |
| 22 | 14347 | Abdeckung 55x20 | Cover 55x20 70SH. CSM | CARTER |
| 23 | 42363 | Elektrodenhalter | Electrode holder | PORTE ELECTRODE |
| 24 | 42204 | Klemmplatte 15X1,2 | Clamping plate | PLAQUE DE SERRAGE |
| 25 | | Schraube ZYL- M4X 8 DIN 84 ZN | Socket head cap screw M4x8 | VIS CYLINDRIQUE M4 X 8 |
| 26 | 31314 | Zündelektrode D8x111/23 | LONG ELECTRODE | ELECTRODE D8 |
| 27 | 28801 | Zündkabel FG4 12kV | HT LEADS | FILS HT |
| 28 | 15988 | Gehäuseabdeckung | Housing cover for burner | CARENAGE SUPERIEUR |
| 29 | 30722 | Schraube M5x23 (D9) Ms | screw M5x23 (D9) Ms | |
| 30 | 17782 | Sicherungsclip 21 X 52 LG. | Cirdip | BUTEE D'ARRET |
| 31 | 26635 | Zündtrafo 230V 50Hz 1,4A TRG | TRANSFORMER DX | TRANSFORMATEUR |
| 32 | 11254 | Schraube EJOT- KA35x10 WN 14 | screw EJOT- KA35x10 WN | VIS INOX PT 35x10 PAR 10 |
| 33 | 5163 | Kabeltülle 406/046 | Cable bushing | PASSE-FIL |



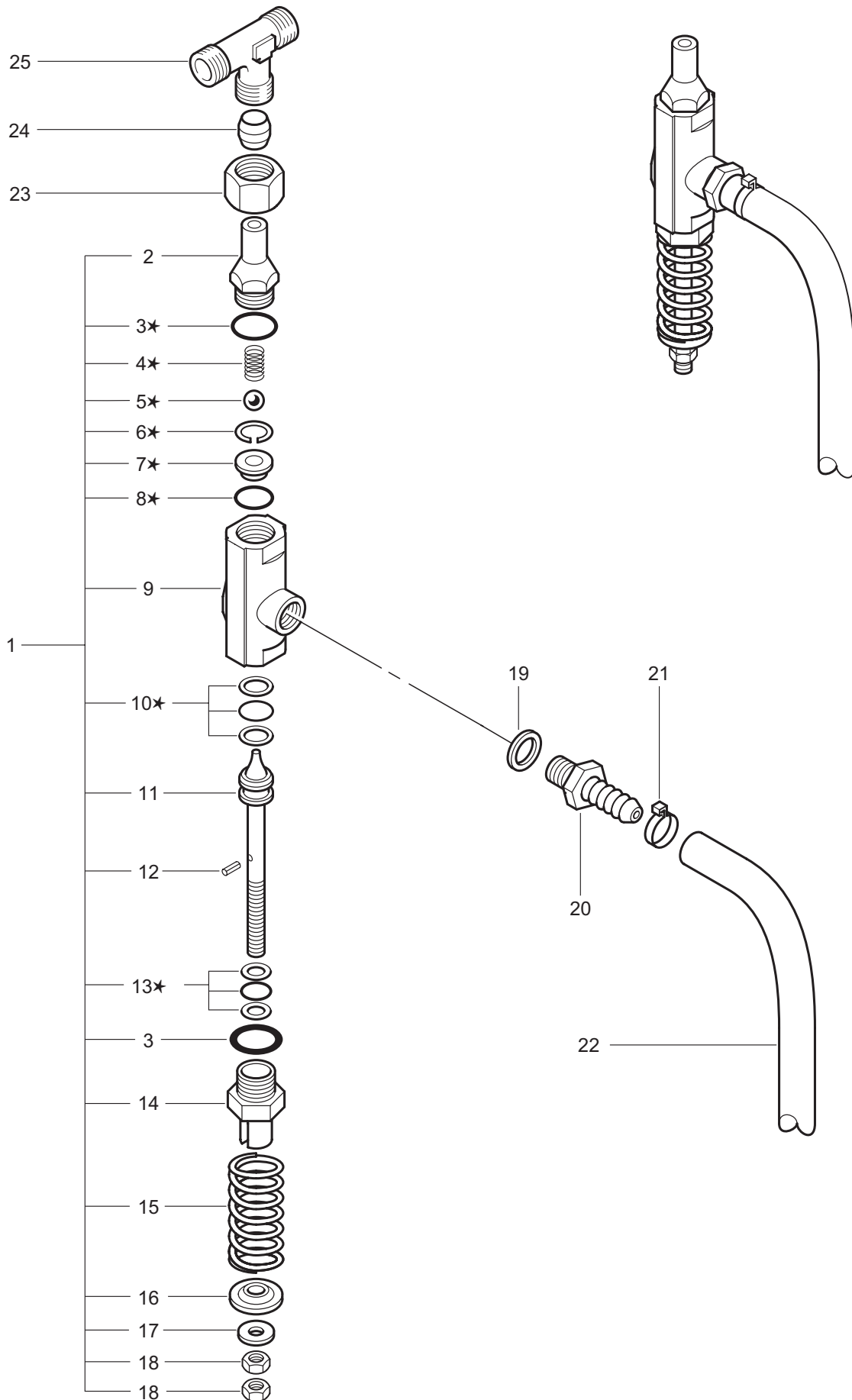
| POS. | NO. | BEZEICHNUNG | DESCRIPTION | DESIGNATION | |
|-----------------------------------------------------------------------------------|-------|--------------------------------|----------------------------|----------------------------|-----------|
| 1 | 47382 | Ölpumpe 230V/50-60Hz | Fuel oil pump 230V | POMPE FIOUL | |
| 2 | 49498 | Spule 220V/50Hz m.Kabel | Coil 230V | ELECTROVANNE FUEL | |
| 3 | 1226 | Kupplung | COUPLING | ACCOUPLLEMENT POMPE FIC | |
| 4 | 9868 | O-Ring 10,0 X2,5 DIN 3770 | O-Ring 10,0 X2,5 DIN 37 | Joint torique PAR 10 | |
| 5 | 40907 | O-Ring 31,47X1,78 AS 568 A | O-Ring 31,47X1,78 ARP A | JOINT TORIQUE PAR 5 | |
| 6 | 1756 | Filtereinsatz f. Ölpumpe | FILTER CARTRIDGE FOR OIL | FILTRE | |
| 7 | 29599 | Verschraubung gerade D6 G1/8 | Screwing gerade D6 G1/8 | RACCORD VISSE | |
| ◇ | 8 | 17710 | Rohr MEWA DN 6X1 DIN 73378 | FPipe | TUBE D6X1 |
| 9 | 28428 | Steckverbindung | | RACCORD | |
| 10 | 28429 | Steckverbindung T | T-piece | RACCORD EN T | |
| 11 | 29600 | Verschluss | PLUG | BOUCHON | |
| 12 | 8956 | Schraube BL- 3,9X 9,5 C DIN 79 | screw BL- 3,9X 9,5 C DIN | Vis autotaraudeuse 3,9x9,5 | |
| 13 | 10705 | Steuergerät 220V 6VA 50HZ | CONTROL BOX was 4986/3 | BOITIER DE TENSION | |
| 14 | 10913 | Sockel | SOCKET | SOCLE | |
| ◇ ACHTUNG! - Meterware - Bitte bei Bestellung gewünschte Länge angeben! | | | | | |
| ◇ ATTENTION! - Lengths in metres - Please indicate required length when ordering! | | | | | |
| ◇ ATTENTION! - Longueurs par mètre - Préciser la longueur à la commande! | | | | | |



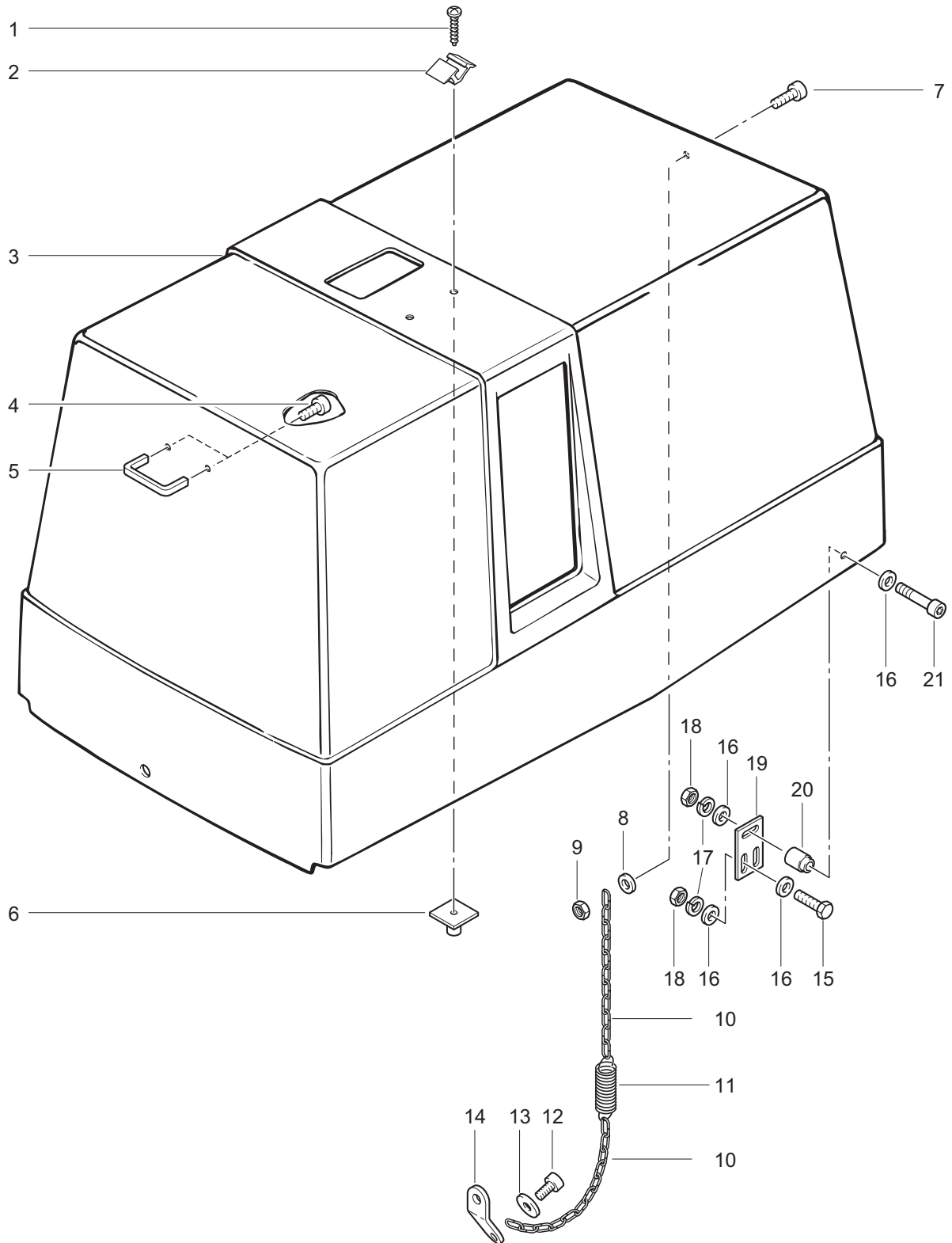
| POS. | NO. | BEZEICHNUNG | DESCRIPTION | DESIGNATION |
|------|-----------|----------------------------------|--------------------------|----------------------------|
| 1 | 8298 | Schlauschelle SGL 16-27 | Hose clip 16-27/9 | Collier |
| 2 | 7755 | Schlauch DN 22 x 400 400°C | Hose | TUYAU DN22X400 |
| 3 | 7012 | Mutter 6KT- M18X1,5 ZN | Nut 6KT- M18X1,5 | ZN ECROU M18x1.5 |
| 4 | 301000101 | Brennerdeckel geschweißt | | |
| 5 | 301000097 | Dichtring ø255,5Xø146x10 -innen- | | |
| 6 | 301000096 | Dichtring ø378xø262,5x10 -außen- | | |
| 7 | 301000107 | Rohr ø22x40 Kondensatablauf | | |
| 8 | 301000104 | Heizschlange geschweißt | | |
| 9 | 301000098 | Brennermantel kpl.-innen- | | |
| 10 | 301000100 | Brennermantel -außen- | | |
| 11 | 301000110 | Abdeckung 74x50 außen | | |
| 12 | 301000106 | Deckel Bl.2 ø424x15 | | |
| 13 | 8961 | Scheibe 13 X3,0 A 9021 ZN | Washer 13 X3,0 A 9021 ZN | Rondelle 13 X3,0 A 9021 ZN |
| 14 | 2761 | Mutter 6KT- M12 934 ZN | Nut 6KT- M12 | 934 ZN ECROU |



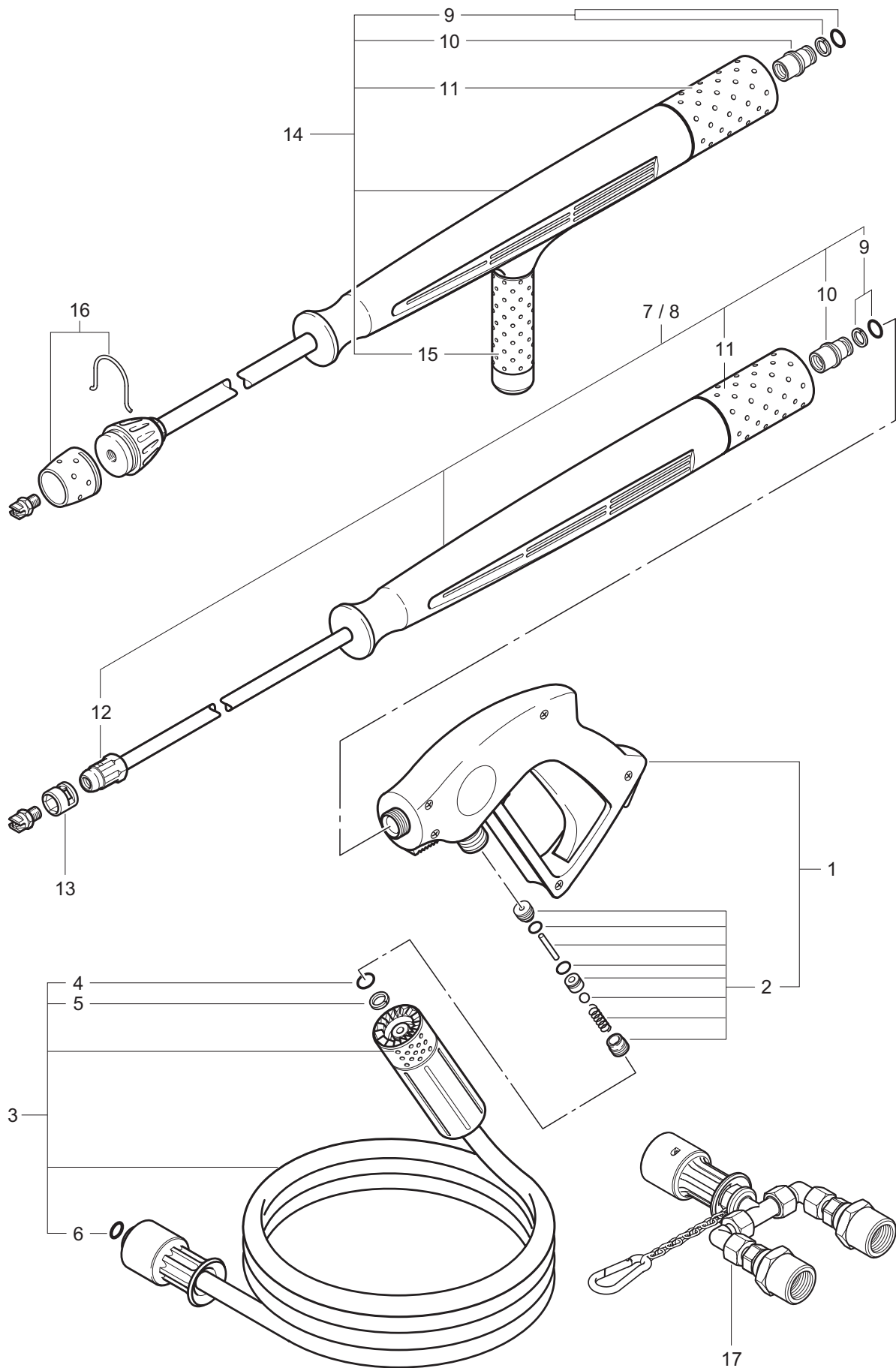
| POS. | NO. | BEZEICHNUNG | DESCRIPTION | DESIGNATION |
|------|-----------|---------------------------------|------------------------------|-------------------------|
| 1 | 4886 | Kontaktfernthermometer | CONTACT TELETHERMOME | THERMOSTAT |
| 2 | 7023 | Verteiler 6kt. R3/8-R1/4SW32 ST | Distributor square 6kt. R3/8 | RACCORD |
| 3 | 1081 | Überwurfmutter DIN 3870-A L 12 | CAP NUT | CAPUCHON D'ECROU PAR |
| 4 | 1080 | Schneidring L12 X10,5 ZN | Ring | RACCORD OLIVE L12X10,5 |
| 5 | 6628 | Verschraubung XEVGE 12LR1/4" | Screwing XEVGE 12LR1/4" | Z Raccord |
| 6 | 1048 | Verschraubung XG 12L ZN | Screwing XG 12L ZN | VIS |
| 7 | 301000082 | Wasseraustrittsrohr | | |
| 8 | 64235 | Konverter G3/8"xM27x1,5 innen | | Convertisseur, KEW/WAP |
| 9 | | Schraube M6 X 30 8.8 DIN 912 | screw M6 X 30 8.8 DIN 9 | VIS PAR 10 M6x30 |
| 10 | 31762 | Stauffschelle | CLAMB | |
| 11 | | Scheibe 6,4X1,6 A 125 ZN | Washer 6,4X1,6 A 125 ZN | RONDELLE |
| 12 | | Mutter 6KT- M6 985 ZN | Nut 6KT- M6 985 ZN | ECROU CHARIOT |
| 13 | 301000317 | Wasseraustrittsrohr vorm. KEW | | |
| 14 | 1600493 | Nippel 3/8" für Schnellkupplung | Nipple | EMBOUT MALE 3/8 FEMELLE |
| 15 | 1504 | Verschraubung XEVW 12L ZN | Screwing XEVW 12L ZN | VIS |
| 16 | 46325 | Verteiler | Distributor square | RACCORD |
| 17 | 34533 | Thermosicherung 140 Grad | THERMAL CUT OUT | THERMOMETRE 140# |
| 18 | 1821 | Verschraubung XGE 6LR1/8 ZN | Screwing XGE 6LR1/8 ZN | RACCORD TUYAU FIOUL |
| 19 | 60141 | HD-Schlauch DN2x0,8m | HP hose DN2x0,8m | Tuyau (haute pression) |
| 20 | 5897 | Dichtring 5,4X9,3X3,2 CU | Packing ring 5,4X9,3X3,2 | JOINT |
| 21 | 4174 | HD-Schlauch DN10x 0,34m | HP hose DN10x 0,34m | Tuyau HP |



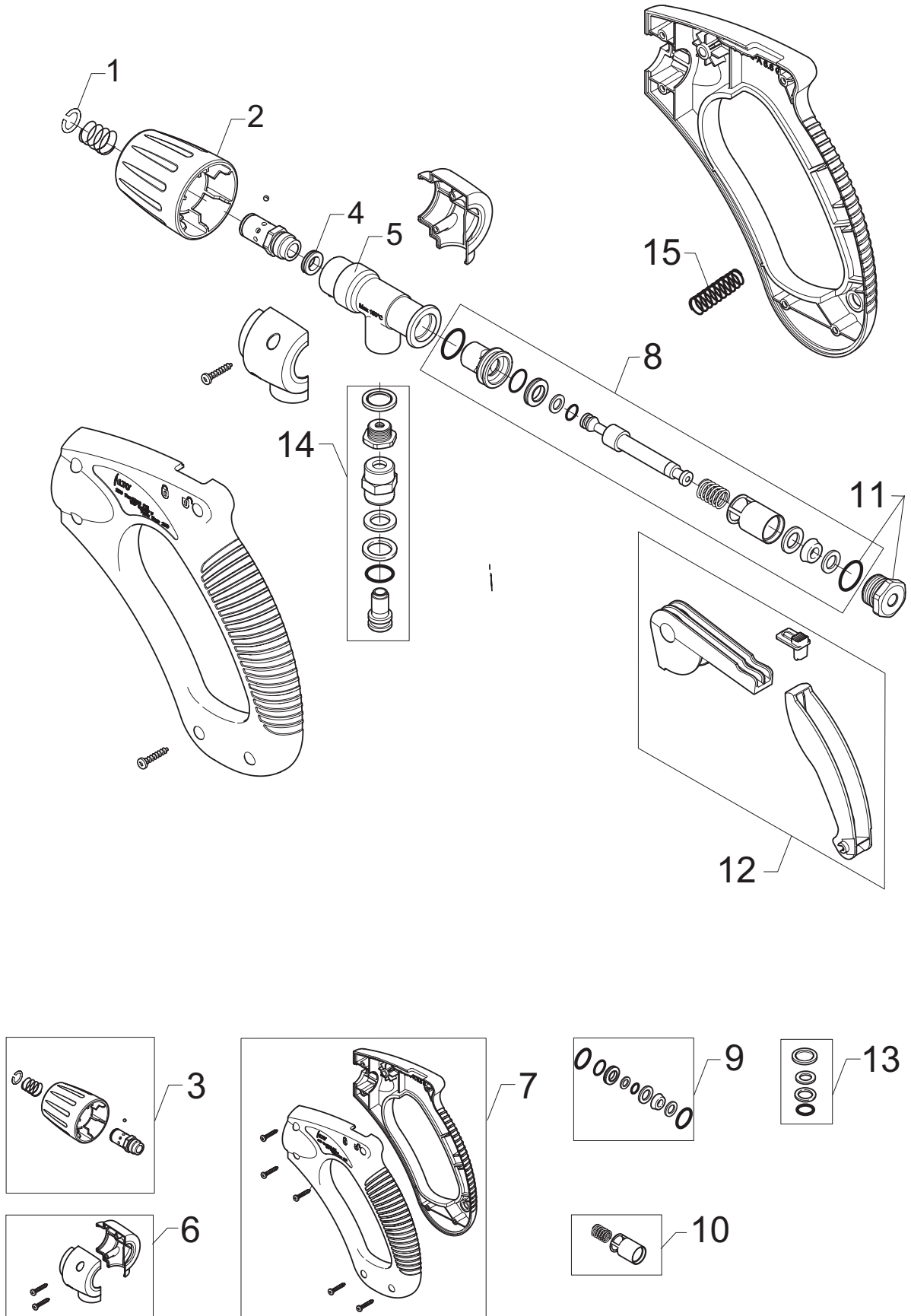
| POS. | NO. | BEZEICHNUNG | DESCRIPTION | DESIGNATION |
|------|-------|-------------------------------------------------------|-----------------------------|---------------------------|
| 1 | 14962 | Sicherheitsventil | SAFETY BLOCK was 16740/ | SOUPAPE DE SECURITE |
| 2 | 16742 | Verschraubung M18X1-6GX42 | \ Screwing M18X1-6GX42 | \ ADAPTATEUR |
| ★ | 3 | O-Ring 16,0 X2,0 DIN 3770 | O-Ring 16,0 X2,0 | DIN 37 JOINT TORIQUE 16X2 |
| ★ | 4 | Druckfeder 1,3 X9/10X16,5 VA | Spring 1,3 X9/10X16,5 VA | RESSORT PRESSION PAR 5 |
| ★ | 5 | Kugel Ø10 gehärtet DIN 5401-2 | ' Ball | DOUILLE 10 |
| ★ | 6 | Sprengtring ø14 x 1,3 | Safety ring D14x1 | DIN 472 CIRCLIPS PAR 10 |
| ★ | 7 | Dichtsitz D7 xD11xD13,85x2,4 | Seal seat D7 xD11xD13,85x | RONDELLE 7X11X13,85 |
| ★ | 8 | O-Ring 11,0 X1,5 NBR70 | O-Ring 11,0 X1,5 | JOINT TORIQUE PAR 10 |
| 9 | 16739 | Gehäuse | Housing for safety valve | Corps soupape de decharge |
| ★ | 10 | Dichtpackung-Steuerkolben D16 | Sealing packing STEUERKO | KIT JOINT |
| 11 | 16152 | Steuerkolben M8x1x115,8VA | BY PASS PLUNGER | PISTON 8x1x115,8VA |
| 12 | 16067 | Spannstift DIN EN 28752 3 x14 | PIN | GOUPILLE |
| ★ | 13 | Dichtpackung | Sealing packing | KIT JOINT |
| 14 | 16105 | Deckel 6kt. M18x1x41 MS | Cover hexagonal M18x1x4 | ' COUVERCLE |
| 15 | 11453 | Druckfeder 5,0 X21,0X51,0 ST | Spring 5,0 X21,0X51,0 ST | RESSORT |
| 16 | 9862 | Federdruckscheibe 25X8,2X6 MS | SPRING PRESSURE WASHER | RONDELLE DE CENTRAGE |
| 17 | 2762 | Scheibe 8,4x1,6 A 125 ZN | WASHER | RONDELLE PAR 10 |
| 18 | 16135 | Sechskantmutter M8x1 B 439 ZN | NUT | Ecrou |
| 19 | 11340 | Dichtring 13,5X18 A7603 CU | Packing ring 13,5X18 A760 | Joint |
| 20 | 4078 | Schlauchtülle G DN 6G1/4 MS | Hose liner G1/4 | Embout |
| 21 | 11654 | Schlauchklemme D-11,5 | HOSE CLAMP | CLIP TUYAU PAR 5 |
| 22 | 28048 | Schlauch DN 6x3x560 | | |
| 23 | 1081 | Überwurfmutter DIN 3870-A L 12 | CAP NUT | CAPUCHON D'ECROU PAR |
| 24 | 1080 | Schneidring L12 X10,5 ZN | Ring | RACCORD OLIVE L12X10,5 |
| 25 | 4103 | Verschraubung XL 12L3/8"Npt | Screwing XL 12L3/8"Npt | |
| | 15518 | Dichtungssatz f. Sicherheitsventil bestehend aus ★ | Gasket set for safety valve | JEU DE JOINT |



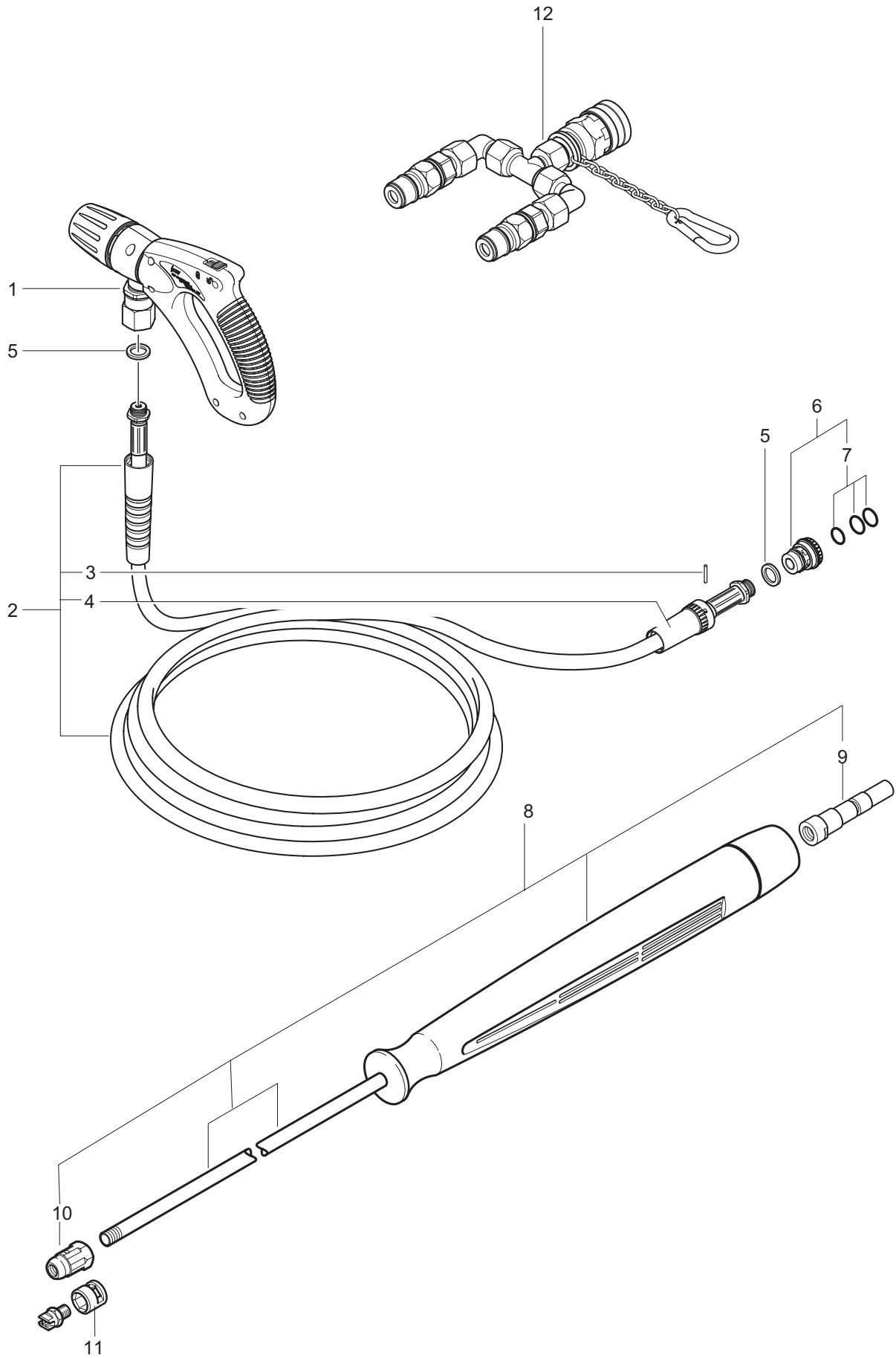
| POS. | NO. | BEZEICHNUNG | DESCRIPTION | DESIGNATION |
|------|---------------------------------------------------------------------------------|--------------------------------|---------------------------|----------------------------|
| 1 | 11253 | Schraube EJOT- KA50x20 WN 1 | screw EJOT- KA50x20 WN | VIS INOX PT50x20 PAR 10 |
| 2 | 14626 | Klammer Befestigungs- PA | FASTENING CLAMP | ATTACHE |
| 3 | 301000076 | Haube | | |
| 4 | 2754 | Schraube M6 X 16 8.8 DIN 933 S | screw M6 X 16 8.8 DIN 9 | Vis 6 pans M6x16 DIN 933 |
| 5 | 14845 | Bügelgriff | Bow-type handle | |
| 6 | 14965 | Platte | PLATE | PLAQUE |
| 7 | 5226 | Schraube FL-RD- M5x16 DIN 603 | FLAT HEAD SCREW M5X16 | Vis à tête plate M5x16 |
| 8 | | Scheibe 5,3X1,6 A 9021 ZN | Washer 5,3X1,6 A 9021 ZN | Rondelle 5,3X1,6 A 9021 ZN |
| 9 | | Mutter 6kt- M5 934ZN | Nut 6kt- M5 934 ZN | ECROU M5 |
| ◇ | 10 | 5434 Kette | warp | |
| 11 | 5231 | Zugfeder | Tension spring | RESSORT |
| 12 | 3348 | Schraube Zyl- M5x10 DIN 84 ZN | Socket head cap screw M5x | VIS PAR 10 |
| 13 | | Scheibe 5,3X1,0 A 125 | Washer 5,3X1,0 A 125 | RONDELLE PAR 20 |
| 14 | 5229 | Winkel | Angle | EQUERRE |
| 15 | | Schraube M8 X 30 8.8 DIN 912 S | screw M8 X 30 8.8 DIN 9 | VIS |
| 16 | | Scheibe 8,4x1,6 A 125 ZN | WASHER | RONDELLE PAR 10 |
| 17 | | Zahnscheibe -A- 8,2 DIN6797 | WASHER | Rondelle |
| 18 | | Mutter 6KT- M8 934 ZN | Nut 6KT- M8 934 ZN | ECROU M8 PAR 10 |
| 19 | 5584 | Einstellplatte | SETTING PLATE | PLAQUE |
| 20 | 4981 | Buchse | Sleeve | |
| 21 | 5963 | Schraube M8 X 50 12.9 DIN 912 | screw M8 X 50 12.9 DIN 9 | VIS M8x50 |
| ◇ | ACHTUNG! - Meterware - Bitte bei Bestellung gewünschte Länge angeben! | | | |
| ◇ | ATTENTION! - Lengths in metres - Please indicate required length when ordering! | | | |
| ◇ | ATTENTION! - Longueurs par mètre - Préciser la longueur à la commande! | | | |



| POS. | NO. | BEZEICHNUNG | DESCRIPTION | DESIGNATION |
|------|-----------|------------------------------------|-----------------------|---------------------------|
| 1 | 64170 | Pistole | | PISTOLET HP |
| 2 | 61041 | Dichtsatz | Gasket set | KIT DE REPARATION |
| 3 | 61115 | HD-Schlauch DN 8x10m | HP hose DN 8x10m | TUYAU HP DE SECURITE 8X10 |
| 4 | 9154 | O-Ring 10,82X1,78 568 A NBR | O-Ring 10,82X1,78 ARP | JOINT 10.82 X 1.78 |
| 5 | 55185 | Stützring 11,7X14,5X1,2PTFE | Supporting ring | JOINT |
| 6 | 49587 | O-Ring 20,35x1,78 NBR90 | O-Ring 20,35x1,78 NBR | JOINT |
| 7 | 62579 | Sprührohr 1070mm | | LANCE 860-900 |
| 8 | 61250 | Sprührohr 1800mm | | LANCE 1800MM |
| 9 | 18059 | O-Ring-Set für Quickverschraubur | O-ring set | JEU DE JOINT DE TORIQUE |
| 10 | 301000090 | Nippel Anschluss 1/4" ø19x33 | | |
| 11 | 301000087 | Anschlußmutter M21x1,5 ø47x90 | | |
| 12 | 301000088 | Düsenaufnahme 6kt M10x1 | | |
| 13 | 18430 | Düsenchutzkappe | Nozzle protection cap | PROTECTION BUSE PAR 10 |
| 14 | 62862 | Koaxial-Sprührohr 1070mm | | LANCE WAP |
| 15 | 301000089 | Handgriff Koaxialsprührohr ø30x106 | | |
| 16 | 61038 | Düsenchutz | Nozzle guard | Bouchon |
| 17 | 65549 | Verteiler M27x1,5 f. 2 HD-Anschluß | | |



| POS. | NO. | BEZEICHNUNG | DESCRIPTION | DESIGNATION |
|------|-----------|----------------------------------|-------------|----------------------|
| 1 | 1800192 | Sicherungsscheibe 18,2x2 RF | CIRCLIP | JOINT DE SERRAGE (15 |
| 2 | 106402460 | Bajonett Anschluß vorm. | | |
| 3 | 101119483 | Rep.Satz Verriegelung | | |
| 4 | 103004330 | Manschette U- ø12,0/ø18,0x4,4 | | |
| 5 | 106402451 | Ventilgehäuse | | |
| 6 | 101119481 | Rep.Satz Schalen f.Ventilgehäuse | | |
| 7 | 101119480 | Rep.Satz Griff | | |
| 8 | 101119486 | Rep.Satz Ventil f.Pistole | | |
| 9 | 101119488 | Rep.Satz O-Ringe f.Ventil | | |
| 10 | 101119489 | Rep.Satz Hülse u. Feder | | |
| 11 | 101119487 | Rep.Satz Stopfen m.O-Ring | | |
| 12 | 101119482 | Rep.Satz Hebel f.Pistole | | |
| 13 | 101119485 | Rep.Satz Gelenkdichtungen | | |
| 14 | 101119484 | Rep.Satz Gelenk f.Pistole | | |
| 15 | 106402459 | Druckfeder 0,9x9,0x40,0 | | |
| | 106402070 | Pistole "ERGO 3000" | | |



| POS. | NO. | BEZEICHNUNG | DESCRIPTION | DESIGNATION |
|------|-----------|---------------------------------------------|------------------------------|--------------------------|
| 1 | 106402070 | Pistole "ERGO 3000" | | |
| 2 | 101405770 | HD-Schlauch DN 8x10m Quick / 3/8" AG | | |
| 3 | 106402503 | Paßstift ø 3x29,8 | | |
| 4 | 106402502 | Knickschutz | | |
| 5 | 1801075 | Dichtring ø23,8 x ø17,2 x2 3/8" | Packing ring ø23,8 x ø17,2 | RONDELLES JOINT PAR 5 |
| 6 | 106402075 | Schnellkupplung kpl. KEW | | |
| 7 | 1118132 | Dichtsatz für Schnellkupplung | Gasket set for quick couplir | KIT JOINTS RACCORD RAPID |
| 8 | 106401239 | Sprührohr 1070 ger. universal Bajonett | | |
| 9 | 1609325 | Nippel für Sprührohr-Schnellkupp | Nipple | ADAPTATEUR DE LANCE RF |
| 10 | 301000088 | Düsenaufnahme 6kt M10x1 | ST | |
| 11 | 18430 | Düsenschutzkappe | Nozzle protection cap | Protection buse par |
| 12 | 64517 | Verteiler f. 2 Schlauchanschl. KEW-Kupplung | | |