

ENCORE RC



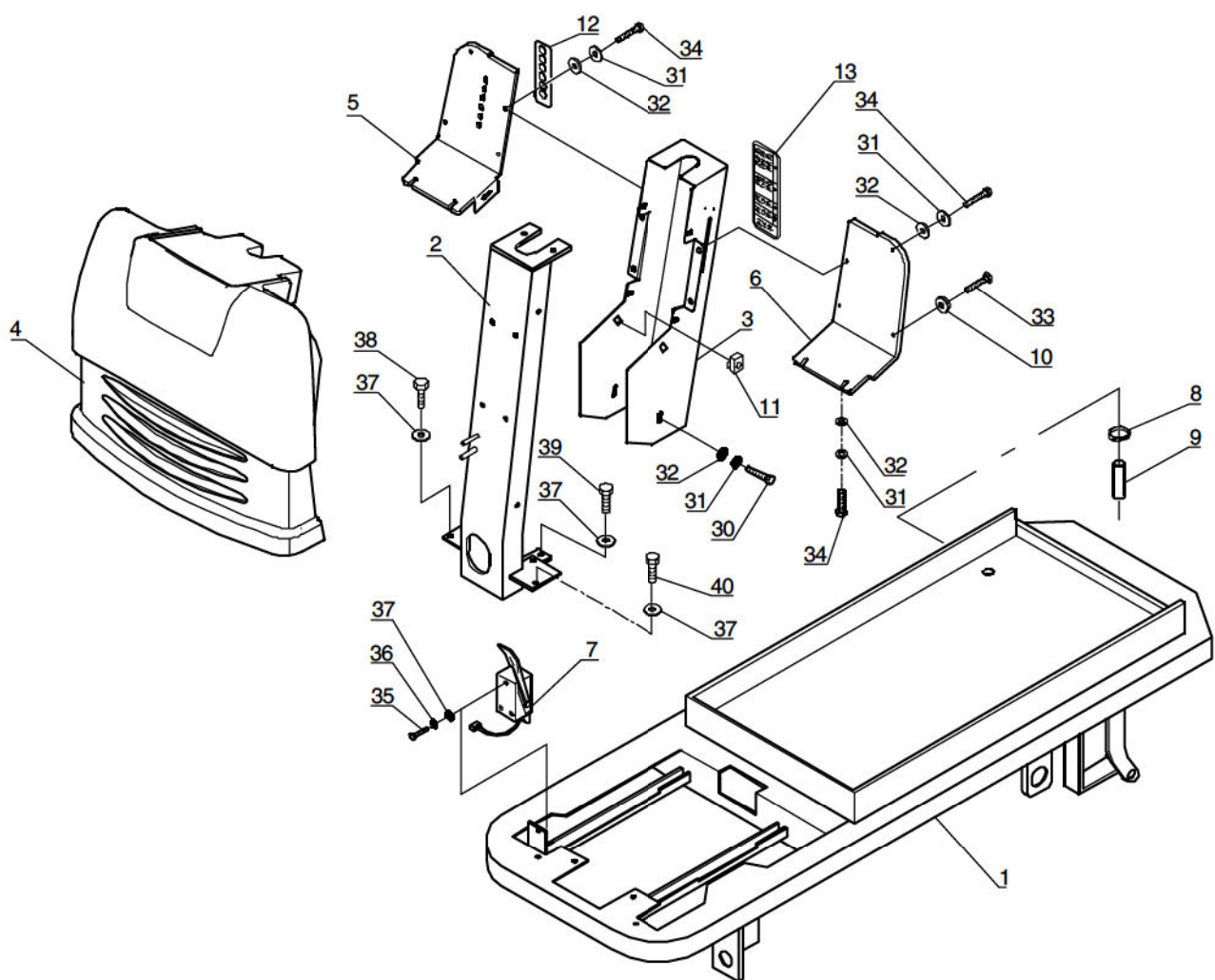
ALTO[®]
Total Cleaning
Confidence™

598 52 90 - ALTO - ENCORE RC - Feb. 2004

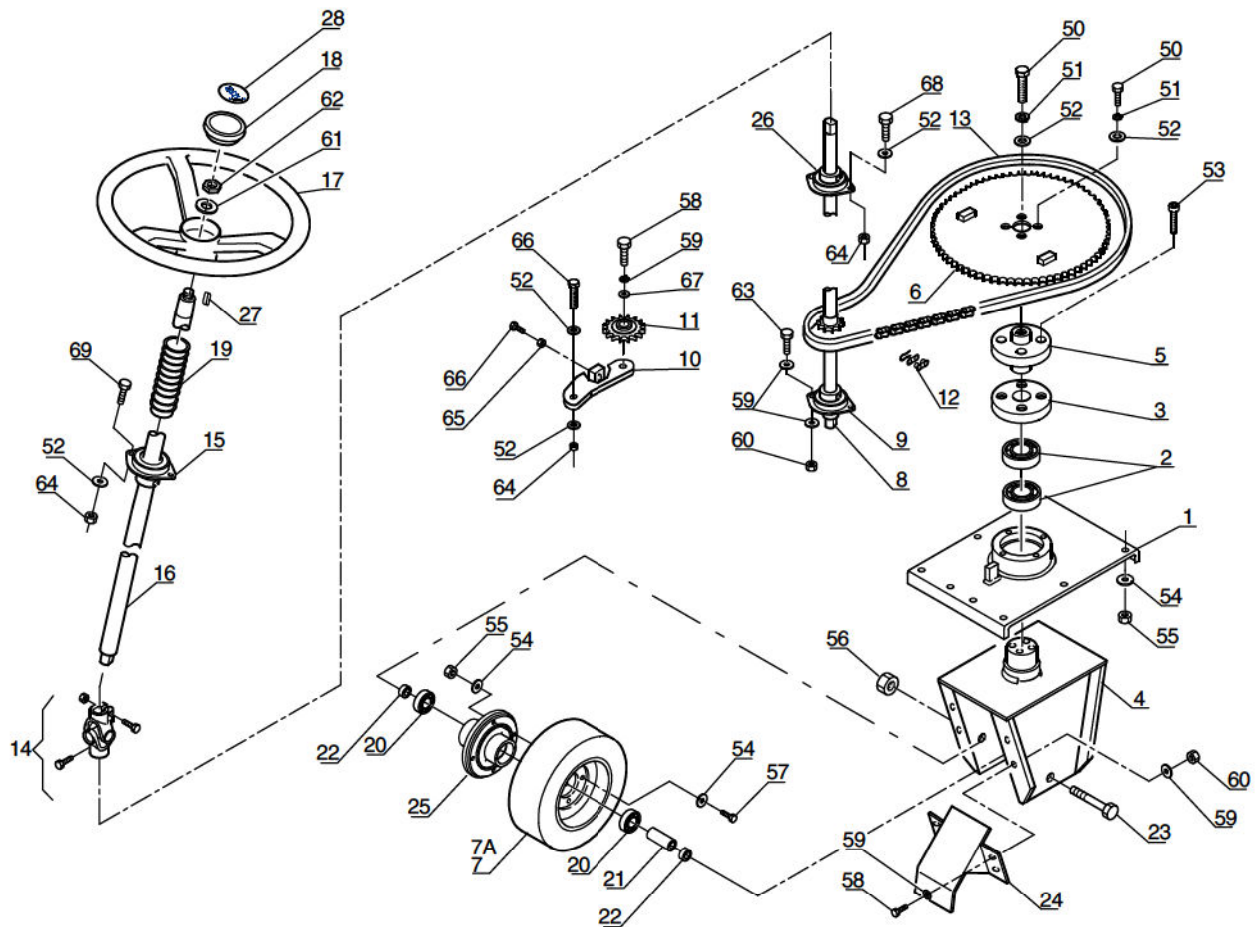
Reservedele
Spare parts
Ersatzteile
Pièces détachées

Ersatzteile auf www.gluesing.net

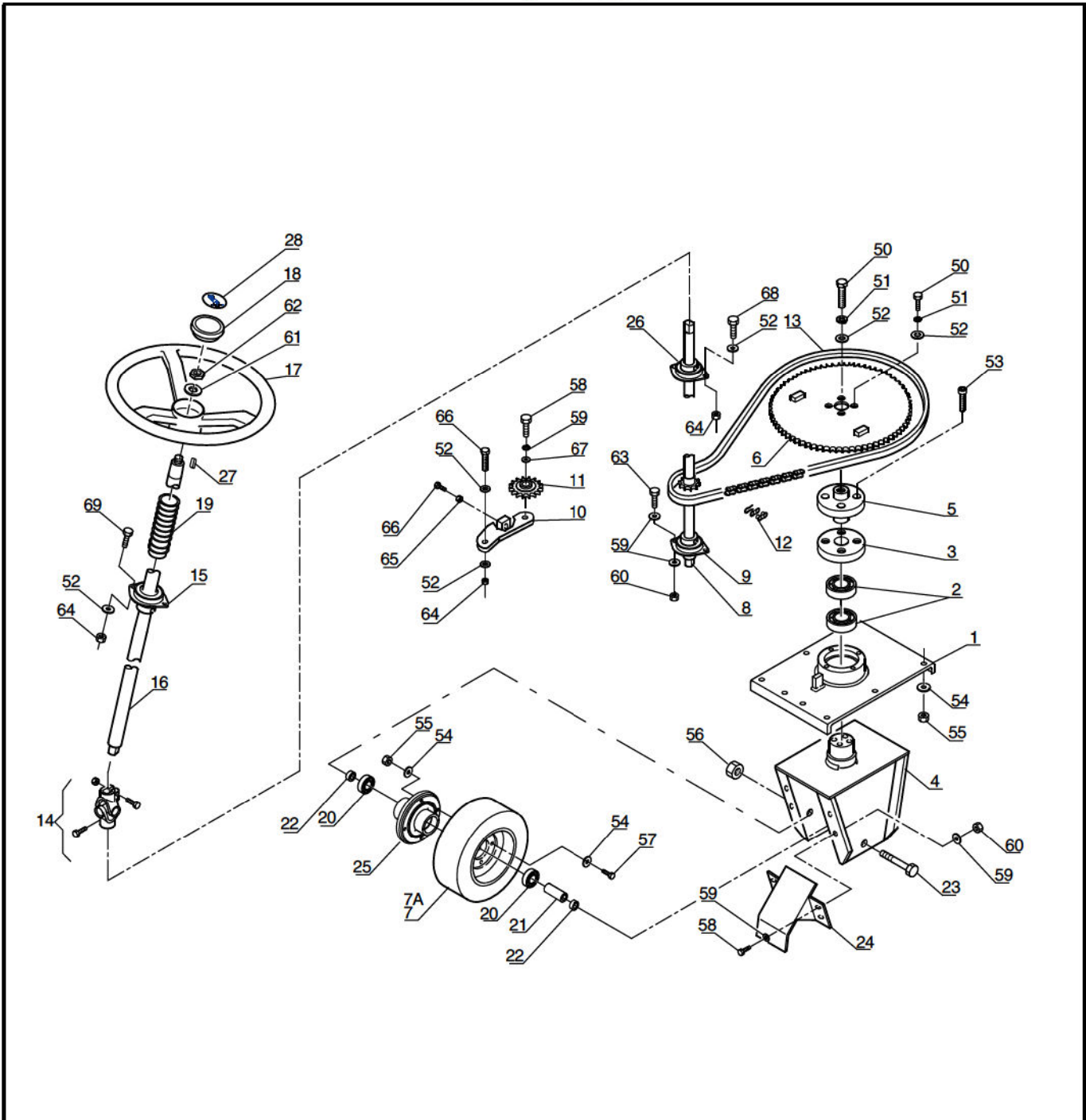
CLARKE
TECHNOLOGY



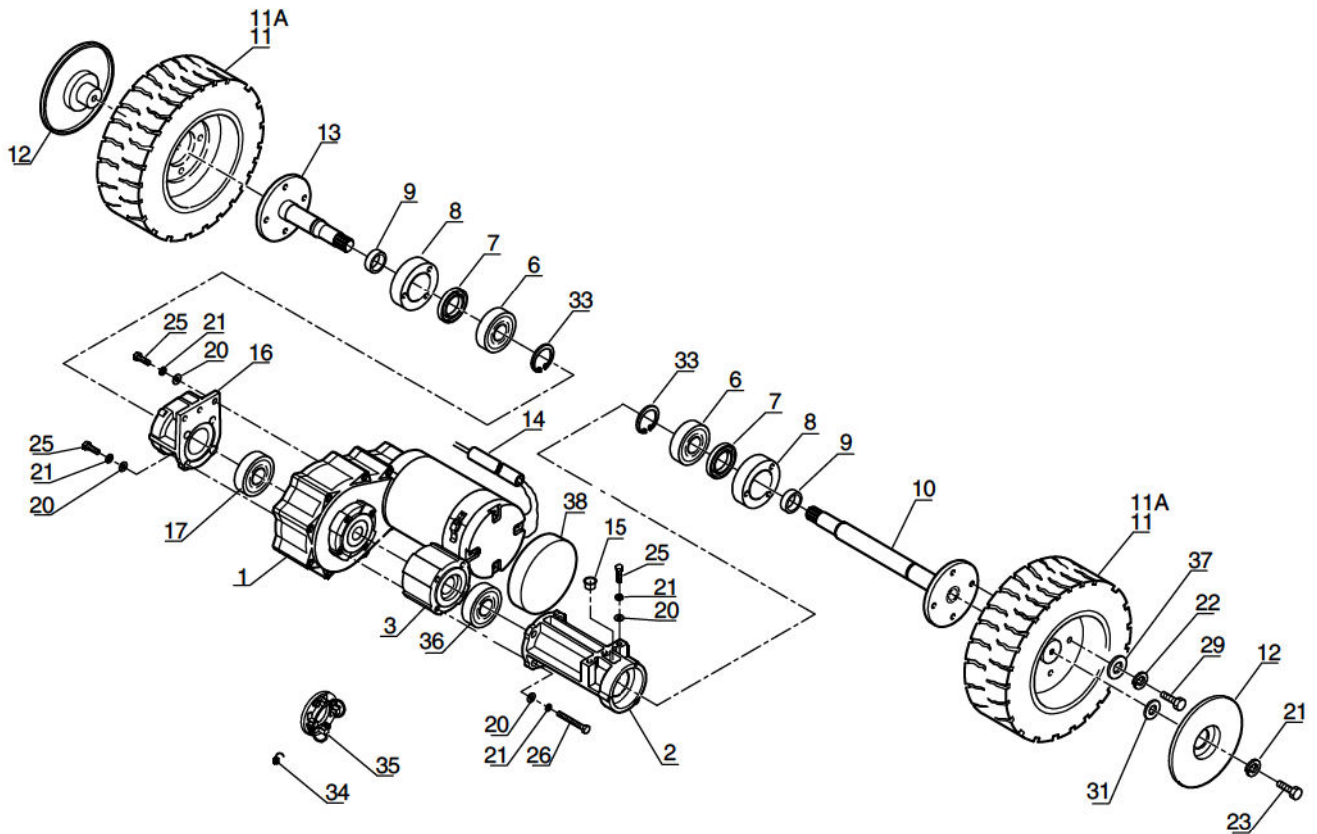
| Pos. | No. | Description | Bezeichnung | Désignation | Betegnelse | Comment Bemerkung Remarque Bemærkning | 26 | 28 | 30 |
|------|-----------|------------------|--------------------|-------------------|----------------------|--|----|----|----|
| 1 | 52282A | Frame | Rahmen | Châssis | Ramme | | 1 | 1 | 1 |
| 2 | 52283A | Frame, Front | Rahmen, vorderteil | Châssis, avant | Ramme, front | | 1 | 1 | 1 |
| 3 | 107115800 | Steering Cover | Abdeckung | Carter | Afdækning, ratstamme | | 1 | 1 | 1 |
| 4 | 107115801 | Nose Cover | Haube, front | Frontal | Kabinet, front | | 1 | 1 | 1 |
| 5 | 107115802 | Fender, Right | Abdeckung rechts | Garde-boue droite | Fender, højre | | 1 | 1 | 1 |
| 6 | 107115803 | Fender, Left | Abdeckung links | Garde-boue gauche | Fender, venstre | | 1 | 1 | 1 |
| C | 7 | 40248A | Pedal, Accelerator | Pedal | Pedale | Pedal, frem/tilbage | 1 | 1 | 1 |
| 8 | 1802925 | Clamp | Schlauchschelle | Collier | Spændebånd | | 1 | 1 | 1 |
| B | 9 | 8826 | Hose | Schlauch | Tuyau | Slange | 1 | 1 | 1 |
| 10 | 52143A | Washer | Scheibe | Rondelle | Skive | | 6 | 6 | 6 |
| 11 | 52291A | Nut | Mutter | Ecrou | Møtrik | | 2 | 2 | 2 |
| 12 | 52292A | Decal | Schild | Etiquette | Skilt | | 1 | 1 | 1 |
| 13 | 52293A | Decal | Schild | Etiquette | Skilt | | 1 | 1 | 1 |
| 30 | 17847 | Screw, M6x20 | Schraube | Vis | Bolt | | | | |
| 31 | 1802875 | Lock Washer, Ø 6 | Haltescheibe | Disque de blocage | Låseskive | | | | |
| 32 | 1803378 | Washer, Ø 6x12 | Scheibe | Rondelle | Skive | | | | |
| 33 | 19576 | Screw, M5x16 | Schraube | Vis | Bolt | | | | |
| 34 | 1813690 | Screw, M6x16 | Schraube | Vis | Bolt | | | | |
| 35 | 19810 | Screw, M8x16 | Schraube | Vis | Bolt | | | | |
| 36 | 14649 | Lock Washer, Ø 8 | Haltescheibe | Disque de blocage | Låseskive | | | | |
| 37 | 14648 | Washer, Ø 8x17 | Scheibe | Rondelle | Skive | | | | |
| 38 | 20906 | Screw, M8x60 | Schraube | Vis | Bolt | | | | |
| 39 | 31411 | Screw, M8x20 | Schraube | Vis | Bolt | | | | |
| 40 | 3455 | Screw, M8x25 | Schraube | Vis | Bolt | | | | |



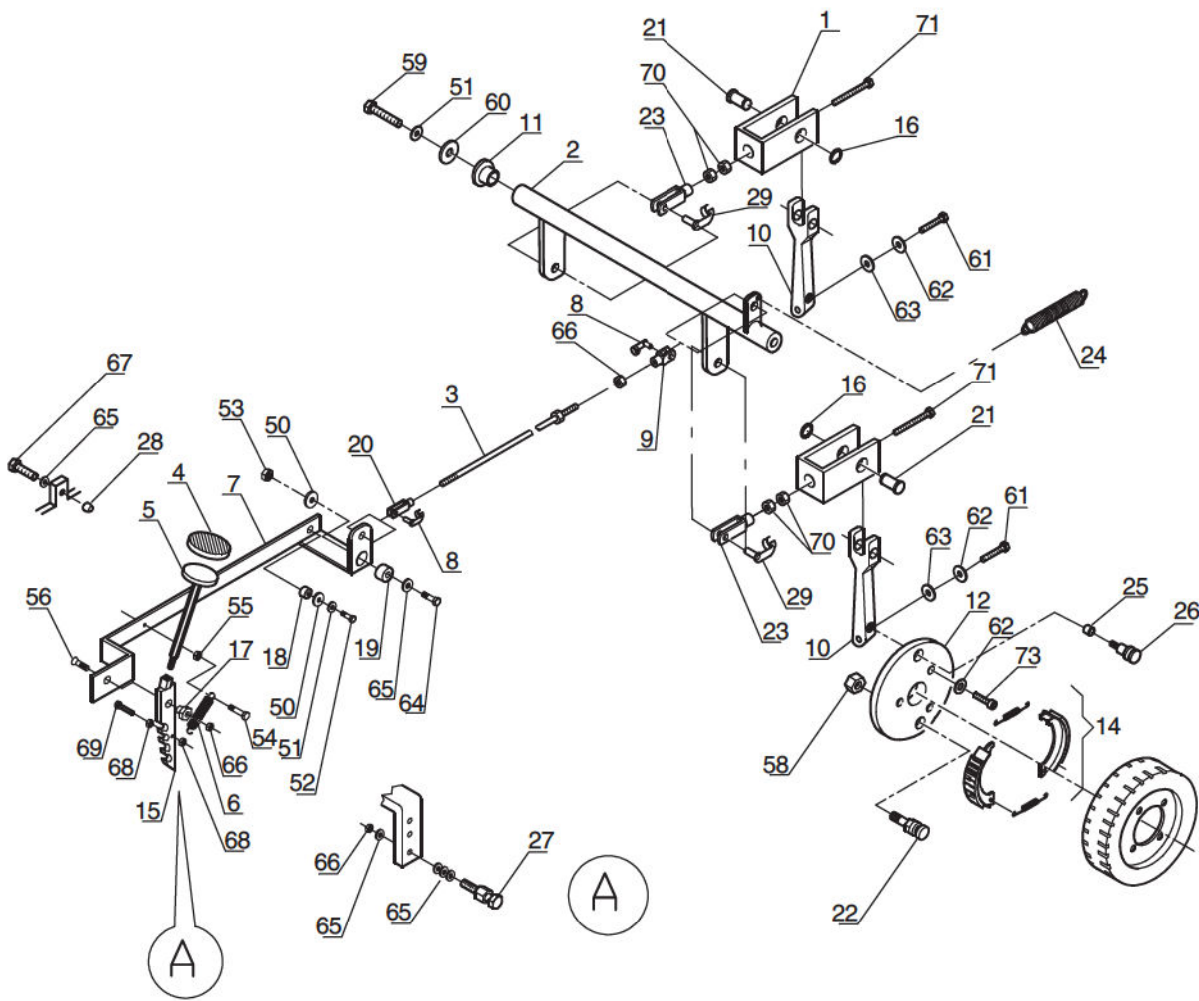
| Pos. | No. | Description | Bezeichnung | Désignation | Betegnelse | Comment Bemerkung Remarque Bemærkning | 26 | 28 | 30 |
|------|---------|-------------------------|---------------|----------------------|------------------|--|----|----|----|
| 1 | 51669A | Plate | Teller | Plaque | Plade | | 1 | 1 | 1 |
| 2 | 12295 | Bearing | Lager | Roulement | Leje | | 2 | 2 | 2 |
| 3 | 51671A | Housing f. Bearing | Lagergehäuse | Boite de roulement | Lejehus | | 1 | 1 | 1 |
| 4 | 51672A | Support | Halterung | Support | Holder | | 1 | 1 | 1 |
| 5 | 51673A | Hub | Nabe | Moyeu | Nav | | 1 | 1 | 1 |
| 6 | 51674A | Sprocket | Krone | Couronne | Kædehjul | | 1 | 1 | 1 |
| C 7 | 51675A | Anti-skid Wheel | Rad | Roue | Hjul | | 1 | 1 | 1 |
| 8 | 51676A | Shaft | Lenkwelle | Arbre | Aksel | | 1 | 1 | 1 |
| 9 | 51677A | Support | Halterung | Support | Beslag | | 1 | 1 | 1 |
| 10 | 51678A | Support | Halterung | Support | Beslag | | 1 | 1 | 1 |
| 11 | 51679A | Intermediate Gear Wheel | Kettenspanner | Tendeur de chaine | Kædestrammerhjul | | 1 | 1 | 1 |
| 12 | 51680A | Joint Chain | Kettenschloss | Attache rapid chaine | Kædesamler | | 1 | 1 | 1 |
| 13 | 51681A | Chain | Kette | Chaine | Kæde | | 1 | 1 | 1 |
| 14 | 51682A | Universal Joint | Kreuzgelenk | Joint universel | Kardanled | | 1 | 1 | 1 |
| 15 | 51683A | Support | Halterung | Support | Beslag | | 1 | 1 | 1 |
| 16 | 51684A | Shaft | Lenkwelle | Arbre | Aksel | | 1 | 1 | 1 |
| 17 | 51685A | Steering Wheel | Lenkrad | Volant | Rat | | 1 | 1 | 1 |
| 18 | 51686A | Plug | Deckel | Bouchon | Prop | | 1 | 1 | 1 |
| 19 | 51687A | Bellows | Faltenbalg | Soufflet | Manchet | | 1 | 1 | 1 |
| 20 | 53308 | Bearing | Lager | Roulement | Leje | | 2 | 2 | 2 |
| 21 | 51689A | Spacer | Distanzhülse | Entretoise | Afstandsstykke | | 1 | 1 | 1 |
| 22 | 51690A | Spacer | Distanzhülse | Entretoise | Afstandsstykke | | 1 | 1 | 1 |
| 23 | 51691A | Bolt | Bolzen | Axe | Bolt | | 1 | 1 | 1 |
| 24 | 51692A | Mud Guard | Kotflügel | Aile | Skærm | | 1 | 1 | 1 |
| 25 | 51693A | Wheel Hub | Radnabe | Moyeu roue | Hjulnav | | 1 | 1 | 1 |
| 26 | 51694A | Support | Halterung | Support | Beslag | | 1 | 1 | 1 |
| 27 | 7114188 | Key | Passfeder | Languette | Feder | | 1 | 1 | 1 |



| Pos. | No. | Description | Bezeichnung | Désignation | Betegnelse | Comment Bemerkung Remarque Bemærkning | 26 | 28 | 30 |
|------|---------|-----------------|-------------|--------------|------------|--|----|----|----|
| 28 | 51696A | Decal | Schild | Etiquette | Skilt | | 1 | 1 | 1 |
| 50 | 3213 | Screw, M8x40 | Schraube | Vis | Bolt | | | | |
| 51 | 14649 | Washer, Ø 8 | Scheibe | Rondelle | Skive | | | | |
| 52 | 14648 | Washer, Ø 8x17 | Scheibe | Rondelle | Skive | | | | |
| 53 | 34220 | Screw, M10x25 | Schraube | Vis | Bolt | | | | |
| 54 | 1800317 | Washer, Ø 10x21 | Scheibe | Rondelle | Skive | | | | |
| 55 | 1801257 | Lock Nut, M10 | Gegenmutter | Contre écrou | Låsemøtrik | | | | |
| 56 | - | Lock Nut, M20 | Gegenmutter | Contre écrou | Låsemøtrik | | | | |
| 57 | 24319 | Screw, M10x35 | Schraube | Vis | Bolt | | | | |
| 58 | 1813690 | Screw, M6x16 | Schraube | Vis | Bolt | | | | |
| 59 | 1803378 | Washer, Ø 6x12 | Scheibe | Rondelle | Skive | | | | |
| 60 | 33158 | Lock Nut, M6 | Gegenmutter | Contre écrou | Låsemøtrik | | | | |
| 61 | 7114148 | Washer, Ø 15x28 | Scheibe | Rondelle | Skive | | | | |
| 62 | - | Nut, M14 | Mutter | Ecrou | Møtrik | | | | |
| 63 | 17847 | Screw, M6x20 | Schraube | Vis | Bolt | | | | |
| 64 | 1809920 | Lock Nut, M8 | Gegenmutter | Contre écrou | Låsemøtrik | | | | |
| 65 | 20908 | Nut, M8 | Mutter | Ecrou | Møtrik | | | | |
| 66 | 1805258 | Screw, M8x6 | Schraube | Vis | Bolt | | | | |
| 67 | 25535 | Washer, Ø 6x24 | Scheibe | Rondelle | Skive | | | | |
| 68 | 3455 | Screw, M8x25 | Schraube | Vis | Bolt | | | | |
| 69 | 31411 | Screw, M8x20 | Schraube | Vis | Bolt | | | | |

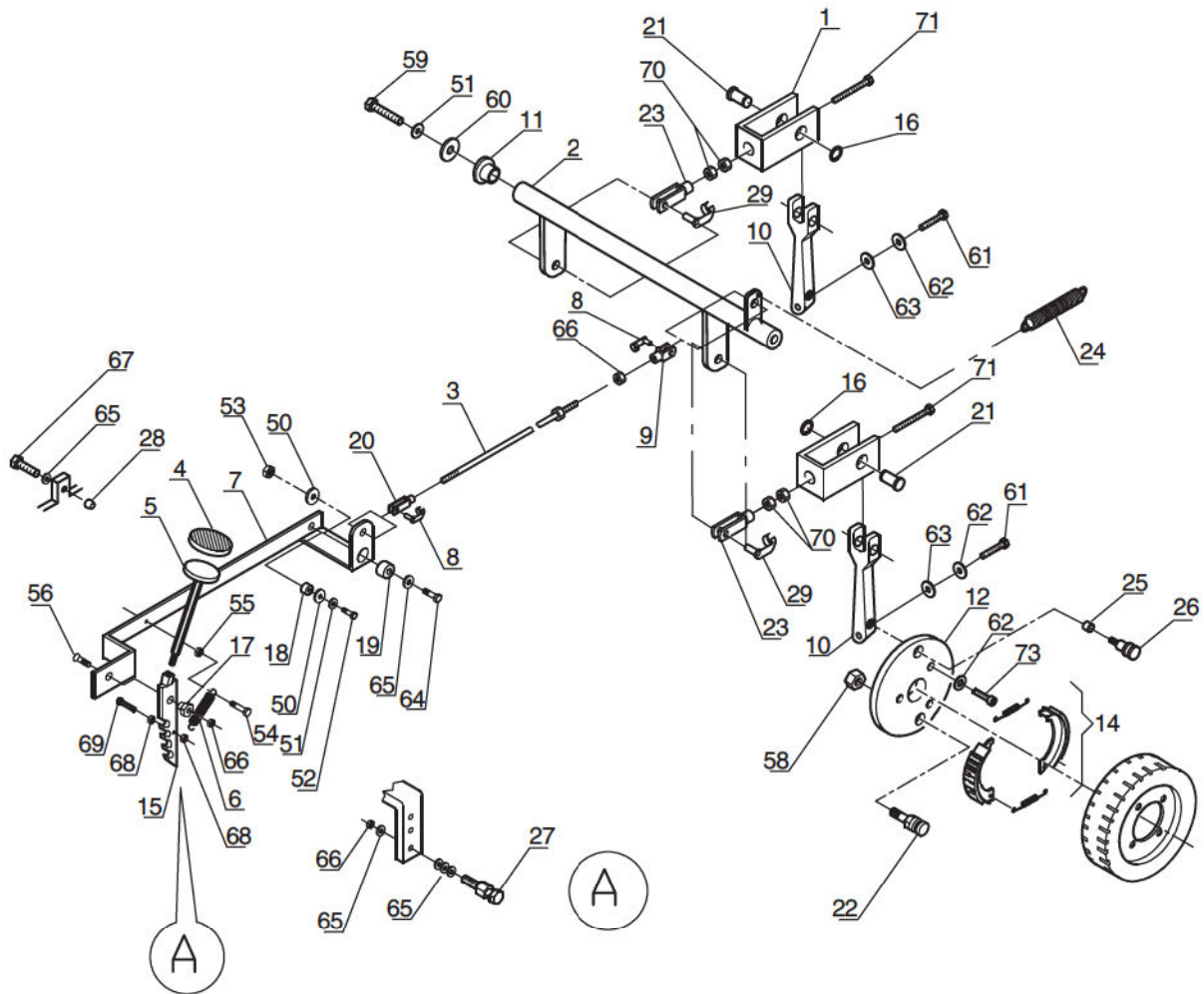


| Pos. | No. | Description | Bezeichnung | Désignation | Betegnelsen | Comment Bemerkung Remarque Bemærkning | 26 | 28 | 30 |
|------|-----|------------------------------|-------------------|--------------------|-------------------------|--|----|----|----|
| B | 1 | 51756A Geared Motor | Getriebemotor | Moto-reducteur | Motor m. reduktionsgear | | 1 | 1 | 1 |
| | 2 | 51757A Support | Halterung | Support | Beslag | | 1 | 1 | 1 |
| | 3 | 51758A Spacer | Distanzhülse | Entretoise | Afstandsstykke | | 1 | 1 | 1 |
| | 6 | 19643 Bearing | Lager | Roulement | Leje | | 2 | 2 | 2 |
| B | 7 | 51760A Oil Seal | Simmering | Joint paulstra | Olietætning | | 2 | 2 | 2 |
| | 8 | 51761A Spacer | Distanzhülse | Entretoise | Afstandsstykke | | 2 | 2 | 2 |
| | 9 | 51762A Spacer | Distanzhülse | Entretoise | Afstandsstykke | | 2 | 2 | 2 |
| | 10 | 51763A Left Axle Shaft | Achswelle links | Demi-essieu gauche | Aksel ende venstre | | 1 | 1 | 1 |
| C | 11 | 51765A Anti-Skid Wheel | Antiskidrad | Roue antiskid | Hjul, antiblokering | | 2 | 2 | 2 |
| | 12 | 51766A Wheel Cover | Raddeckel | Couvercle de roue | Navkapsel | | 2 | 2 | 2 |
| | 13 | 51767A Right Axle Shaft | Achswelle rechts | Demi-essieu droite | Aksel, højre | | 1 | 1 | 1 |
| | 14 | 22287 Sheath, Wiring | Mantel | Paine | Kappe f. ledning | | 1 | 1 | 1 |
| | 15 | 51769A Cap | Kappe | Capuchon | Kappe | | 1 | 1 | 1 |
| | 16 | 51770A Support | Halterung | Support | Beslag | | 1 | 1 | 1 |
| | 17 | 7114377 Bearing | Lager | Roulement | Leje | | 1 | 1 | 1 |
| | 20 | 14648 Washer, Ø 8x17 | Scheibe | Rondelle | Skive | | | | |
| | 21 | 14649 Washer, Ø 8 | Scheibe | Rondelle | Skive | | | | |
| | 22 | 1800309 Washer, M8x20 | Scheibe | Rondelle | Skive | | | | |
| | 23 | 31411 Screw, M8x20 | Schraube | Vis | Bolt | | | | |
| | 25 | 3455 Screw, M8x25 | Schraube | Vis | Bolt | | | | |
| | 26 | 20906 Screw, M8x60 | Schraube | Vis | Bolt | | | | |
| | 29 | 34220 Screw, M10x25 | Schraube | Vis | Bolt | | | | |
| | 31 | 34939 Washer, Ø 8x24 | Scheibe | Rondelle | Skive | | | | |
| | 33 | 16848 Seeger Circlip Ring | Seegerring | Serre clips | Seegerring | | 2 | 2 | 2 |
| B | 34 | 51593A Carbon Brush f. Motor | Kohlebürste | Charbon | Kul f. motor | | 4 | 4 | 4 |
| B | 35 | 52441A Carbon Brush Holder | Kohlebürstehalter | Porte charbon | Holder | | 1 | 1 | 1 |
| | 36 | 902515 Bearing | Lager | Roulement | Leje | | 1 | 1 | 1 |
| | 37 | 1800317 Washer, Ø 10x21 | Scheibe | Rondelle | Skive | | | | |
| C | 38 | 52475A Cover, Transaxle | Deckel | Couvercle | Dæksel f. drivaksel | | 1 | 1 | 1 |



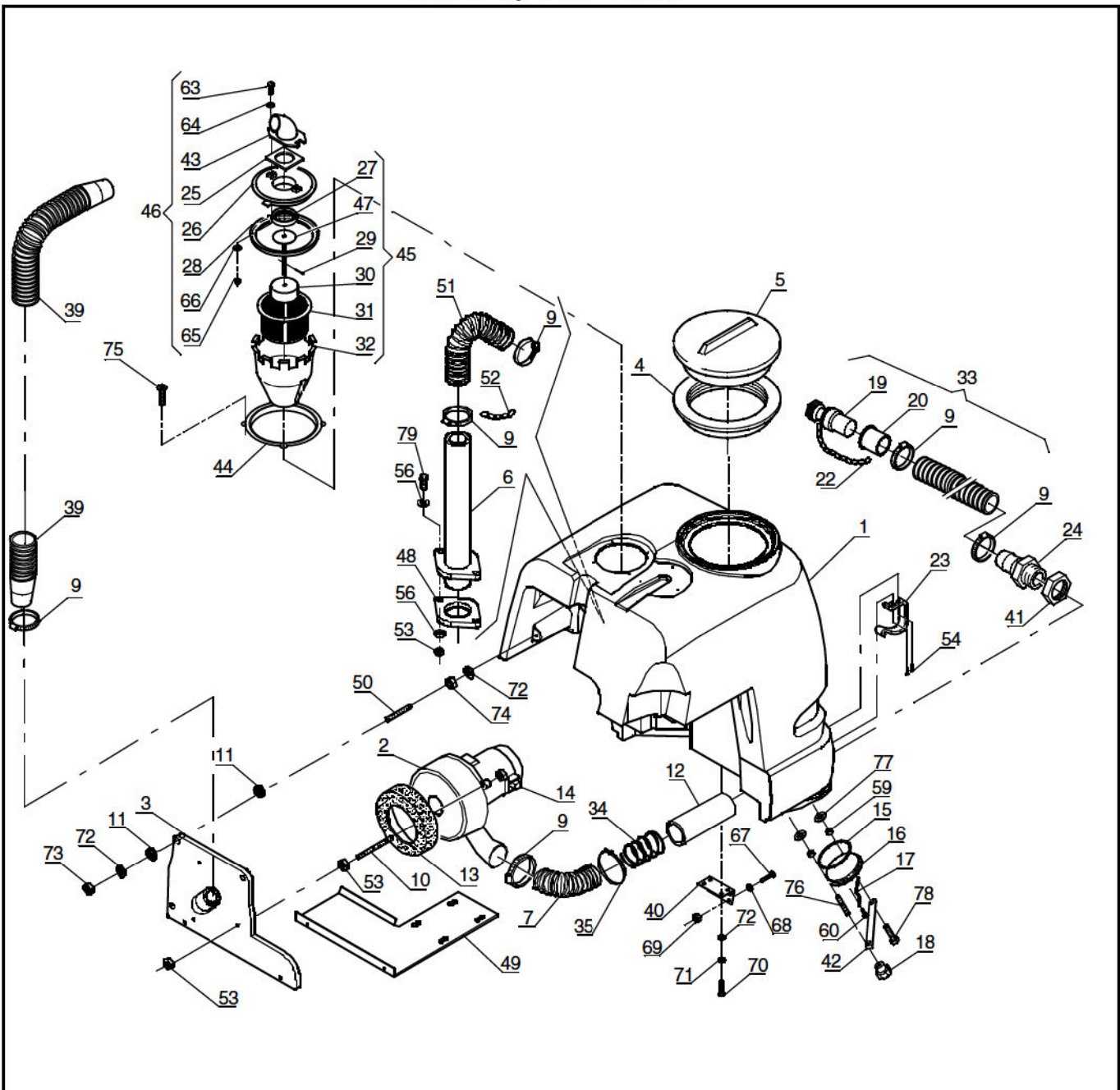
| Pos. | No. | Description | Bezeichnung | Désignation | Betegnelse | Comment Bemerkung Remarque Bemærkning | 26 | 28 | 30 |
|------|--------|---------------------|------------------|----------------|-----------------------|--|----|----|----|
| 1 | 51772A | Fork | Gabelkopf | Chappe | Gaffelbeslag | | 2 | 2 | 2 |
| 2 | 51773A | Shaft | Lenkwelle | Arbre | Aksel | | 1 | 1 | 1 |
| 3 | 51774A | Threaded Rod | Stange | Tige | Stang m. gevind | | 1 | 1 | 1 |
| C | 4 | 51775A | Pedal Cover | Pedalgummi | Garniture pedale | Pedal gummi | 1 | 1 | 1 |
| 5 | 51776A | Pedal, Brake | Pedal | Pedale | Pedal, bremse | | 1 | 1 | 1 |
| B | 6 | 51777A | Spring | Feder | Ressort | Fjeder | 1 | 1 | 1 |
| 7 | 51778A | Lever | Hebel | Livier | Arm | | 1 | 1 | 1 |
| 8 | 51779A | Fork Pin | Bolzen | Axe | Lås, gaffelbeslag | | 2 | 2 | 2 |
| 9 | 51780A | Fork | Gabel | Fourche | Gaffelbeslag | | 1 | 1 | 1 |
| 10 | 51781A | Lever | Hebel | Livier | Arm | | 2 | 2 | 2 |
| 11 | 51782A | Bushing | Buchse | Bague | Bøsning | | 2 | 2 | 2 |
| 12 | 51783A | Brake Shoe-Holder | Backeträger | Porte-sabot | Bremsebakkeholder | | 2 | 2 | 2 |
| B | 14 | 51784A | Brake Shoes | Bremsanlage | Ensemble frein | Bremsebakker | 2 | 2 | 2 |
| 15 | 51785A | Lever | Hebel | Livier | Arm | | 1 | 1 | 1 |
| 16 | 34687 | Seeger Circlip Ring | Seegerring | Serre clips | Seegerring | | 2 | 2 | 2 |
| 17 | 51787A | Bushing | Buchse | Bague | Bøsning | | 1 | 1 | 1 |
| 18 | 51789A | Bushing | Buchse | Bague | Bøsning | | 1 | 1 | 1 |
| 19 | 51790A | Spacer | Distanzhülse | Entretoise | Afstandsstykke | | 1 | 1 | 1 |
| 20 | 51791A | Fork, Left | Gabelkopf, links | Chappe, gauche | Gaffelbeslag, venstre | | 1 | 1 | 1 |
| 21 | 51792A | Pin | Bolzen | Axe | Bolt | | 2 | 2 | 2 |
| 22 | 51793A | Pin | Bolzen | Axe | Bolt | | 2 | 2 | 2 |
| 23 | 51794A | Fork | Gabelkopf | Chappe | Gaffelbeslag | | 2 | 2 | 2 |
| 24 | 51624A | Spring | Feder | Ressort | Fjeder | | 1 | 1 | 1 |
| 25 | 51796A | Bushing | Buchse | Bague | Bøsning | | 2 | 2 | 2 |
| 26 | 51797A | Pin | Bolzen | Axe | Bolt | | 2 | 2 | 2 |
| 27 | 51798A | Pin | Bolzen | Axe | Bolt | | 1 | 1 | 1 |
| 28 | 51799A | Cap | Stopfen | Bouchon | Kappe | | 1 | 1 | 1 |
| 29 | 52069A | Fork Pin | Bolzen | Axe | Lås, gaffelbeslag | | 2 | 2 | 2 |

598 52 90 - ALTO - ENCORE RC - Feb. 2004



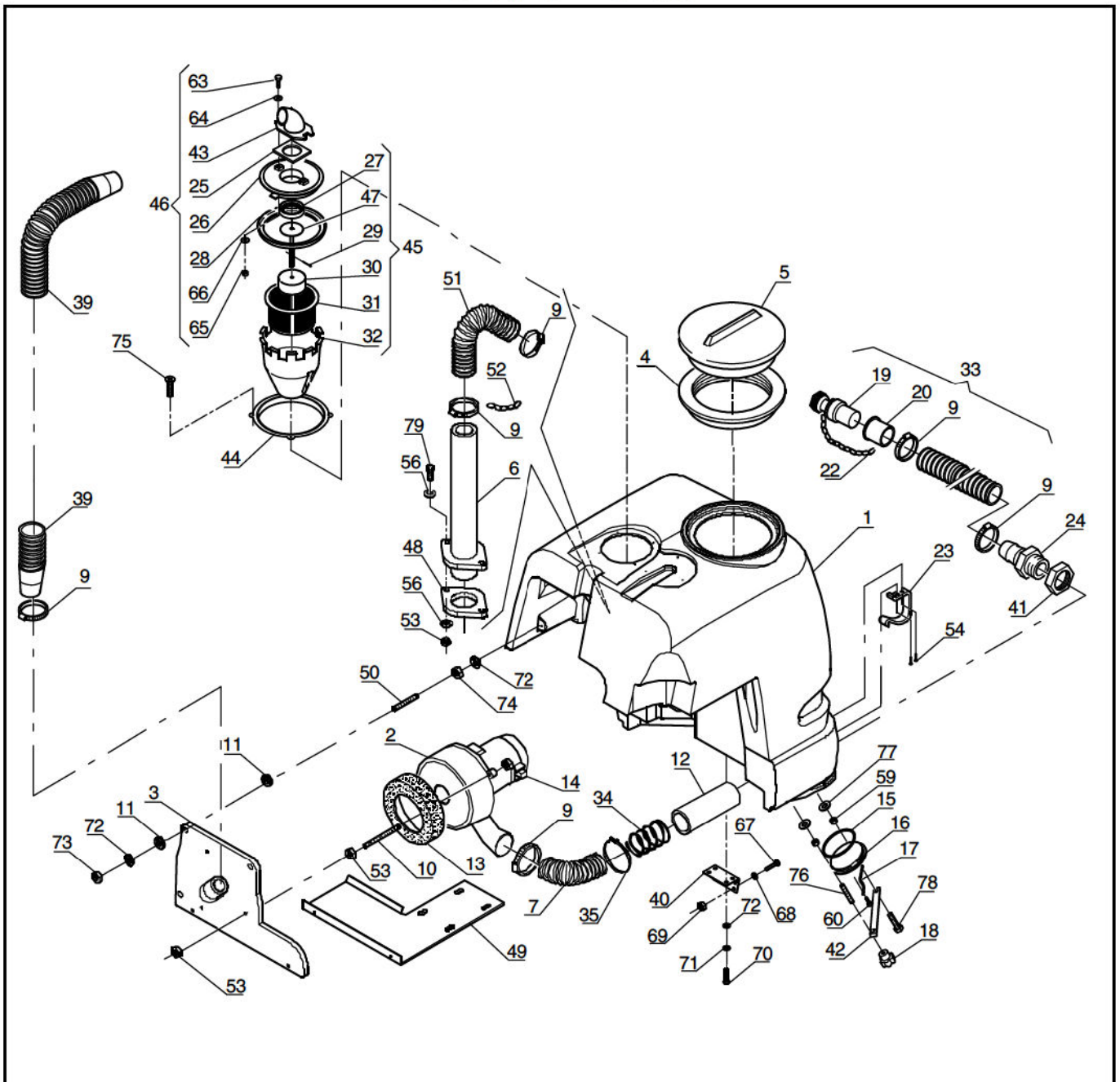
| Pos. | No. | Description | Bezeichnung | Désignation | Betegnese | Comment Bemerkung Bemærkning | 26 | 28 | 30 |
|------|---------|----------------|-------------|--------------|------------|------------------------------------|----|----|----|
| 50 | 34939 | Washer, Ø 8 | Scheibe | Rondelle | Skive | | | | |
| 51 | 34939 | Washer, Ø 8 | Scheibe | Rondelle | Skive | | | | |
| 52 | 3455 | Screw, M8x25 | Schraube | Vis | Bolt | | | | |
| 53 | 1809920 | Lock Nut, M8 | Gegenmutter | Contre écrou | Låsemøtrik | | | | |
| 54 | 8916 | Screw, M5x35 | Schraube | Vis | Bolt | | | | |
| 55 | 18696 | Nut, M5 | Mutter | Ecrou | Møtrik | | | | |
| 56 | 1803931 | Screw, M8x20 | Schraube | Vis | Bolt | | | | |
| 58 | 1801257 | Lock Nut, M10 | Gegenmutter | Contre écrou | Låsemøtrik | | | | |
| 59 | 31411 | Screw, M8x20 | Schraube | Vis | Bolt | | | | |
| 60 | 7114149 | Washer, Ø 8x32 | Scheibe | Rondelle | Skive | | | | |
| 61 | 22476 | Screw, M6x25 | Schraube | Vis | Bolt | | | | |
| 62 | 1802875 | Washer, Ø 6 | Scheibe | Rondelle | Skive | | | | |
| 63 | 1803378 | Washer, Ø 6x12 | Scheibe | Rondelle | Skive | | | | |
| 64 | 2756 | Screw, M8x45 | Schraube | Vis | Bolt | | | | |
| 65 | 14648 | Washer, Ø 8x17 | Scheibe | Rondelle | Skive | | | | |
| 66 | 20908 | Nut, M8 | Mutter | Ecrou | Møtrik | | | | |
| 67 | 31411 | Screw, M8x20 | Schraube | Vis | Bolt | | | | |
| 68 | 15319 | Nut, M4 | Mutter | Ecrou | Møtrik | | | | |
| 69 | 1806512 | Screw, M4x25 | Schraube | Vis | Bolt | | | | |
| 70 | 17848 | Nut, M6 | Mutter | Ecrou | Møtrik | | | | |
| 71 | 1814634 | Screw, M6x50 | Schraube | Vis | Bolt | | | | |
| 73 | 1814635 | Screw, M6x40 | Schraube | Vis | Bolt | | | | |

Recovery Tank 26/28/30



| Pos. | No. | Description | Bezeichnung | Désignation | Betegnelse | Comment Bemerkung Remarque Bemærkning | 26 | 28 | 30 |
|------|-----------|-------------------------------|---------------------|------------------------|---------------------|--|----|----|----|
| 1 | 107115804 | Recovery Tank | Smutzwassertank | Reservoir eau sale | Smudsbeholder | | 1 | 1 | 1 |
| B | 2 | 45019A Vacuum Motor | Saugmotor | Moteur d'aspiration | Sugemotor | | 1 | 1 | 1 |
| 3 | 107115805 | Plate | Befestigungsauflage | Plaque | Plade | | 1 | 1 | 1 |
| B | 4 | 52155A Ring with Gasket | Ring m. Dichtung | Anneau avec joint | Ring m. pakning | | 1 | 1 | 1 |
| 5 | 52156A | Plug | Deckel | Bouchon | Dæksel | | 1 | 1 | 1 |
| 6 | 107115806 | Pipe | Rohr | Tube | Rør | | 1 | 1 | 1 |
| ⊠ | 7 | 5206628 Hose | Saugschlauch | Tuyau | Slange | | 1 | 1 | 1 |
| 9 | 14030 | Clamp | Schlauchschnelle | Collier | Spændebånd | | 4 | 4 | 4 |
| 10 | 52161A | Stay Bolt | Gewindbolzen | Tige | Stagbolt | | 3 | 3 | 3 |
| 11 | 52162A | Fairlead | Kabelmuffe | Passe-câble | Kabelgennemføring | | 6 | 6 | 6 |
| B | 12 | 52163A Hose Noise Suppression | Schallschluckend | Tuyau isolant phonique | Slange, støjdemping | | 1 | 1 | 1 |
| B | 13 | 643418 Gasket | Dichtung | Joint | Pakning | | 1 | 1 | 1 |
| B | 14 | 41809A Contact | Schalter | Contacteur | Kontakt | | 2 | 2 | 2 |
| 14A | 43401A | Housing, Black | Gehäuse | Carter | Hus, sort | | 2 | 2 | 2 |
| 15 | 51338A | O-Ring | O-Ring | Joint torique | O-ring | | 1 | 1 | 1 |
| 16 | 52166A | Cap | Deckel | Bouchon | Dæksel | | 1 | 1 | 1 |
| 17 | 52167A | Chain | Kette | Chaîne | Kæde | | 1 | 1 | 1 |
| C | 40928 | Milled Nut | Rendelschraube | Pommeau | Fingermøtrik | | 1 | 1 | 1 |
| B | 19 | 52169A Drain Hose Plug | Ablasspfropfen | Bouchon de vidange | Aftøbsslangeprop | | 1 | 1 | 1 |
| 20 | 52170A | Coupling | Muffe | Manchon | Muffe | | 1 | 1 | 1 |
| 22 | 52172A | Chain | Kette | Chaîne | Kæde | | 1 | 1 | 1 |
| 23 | 52149A | Coupler | Arretierung | Crochet | Låsebøjle | | 1 | 1 | 1 |
| 24 | 52174A | Connector | Schlauchanschluss | Raccord | Slangestuds | | 1 | 1 | 1 |

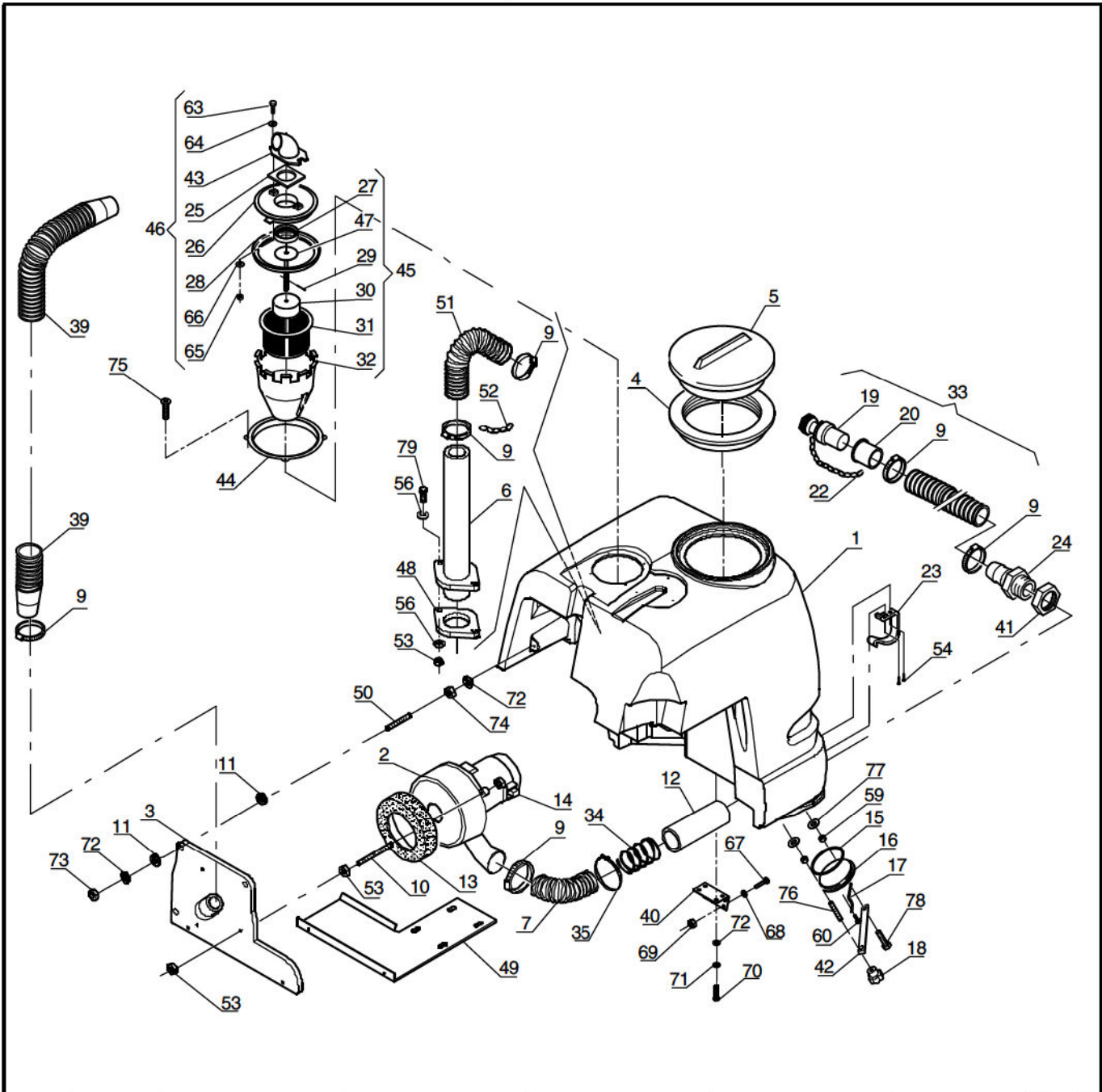
8 ⊠ ATTENTION! - Lengths in metres - Please indicate required length when ordering. / ACHTUNG! - Meterware - Bitte bei Bestellung gewünschte Länge angeben!
 ⊠ ATTENTION! - Longueurs par metre - Préciser la longueur à la commande! / ⊠ BEMERK! - Meterware - Vær venlig at oplyse længde ved bestilling!



| Pos. | No. | Description | Bezeichnung | Désignation | Betegnelse | Comment Bemerkung Remarque Bemærkning | 26 | 28 | 30 |
|------|-----|------------------------------|------------------------------|----------------------------|---------------------|--|----|----|----|
| B | 25 | 62917 Gasket | Dichtung | Joint | Pakning | | 1 | 1 | 1 |
| | 26 | 62902 Plug | Deckel | Bouchon | Dæksel | | 1 | 1 | 1 |
| B | 27 | 62904 Gasket | Dichtung | Joint | Pakning | | 1 | 1 | 1 |
| B | 28 | 62901 Gasket | Dichtung | Joint | Pakning | | 1 | 1 | 1 |
| | 29 | 31612 Split Pin | Splint | Goupille | Stift | | 2 | 2 | 2 |
| B | 30 | 62920 Float | Schwimmer | Flotteur | Svømmer | | 1 | 1 | 1 |
| A | 31 | 62919 Filter | Filter | Filtre | Filter | | 1 | 1 | 1 |
| C | 32 | 62900 Housing | Schutz | Protection | Hus | | 1 | 1 | 1 |
| B | 33 | 51332A Drain Hose compl. | Ablaufschlauch m. Verschluss | Flexible de vidange compl. | Afløbsslange kompl. | | 1 | 1 | 1 |
| | 34 | 52183A Spring | Feder | Ressort | Fjeder | | 1 | 1 | 1 |
| | 35 | 24854 Clamp | Schlauchselle | Collier | Spændebånd | | 1 | 1 | 1 |
| B | 39 | 303000057 Hose | Saugschlauch | Tuyau | Slange | | 1 | 1 | 1 |
| | 40 | 52073A Hinge | Scharner | Charniere | Hængsel | | 2 | 2 | 2 |
| | 41 | 52190A Nut | Mutter | Embout | Møtrik | | 1 | 1 | 1 |
| | 42 | 52191A Blade | Leiste | Plaquette | Liste | | 1 | 1 | 1 |
| | 43 | 52192A Coupling | Kupplung | Attaque | Kobling | | 1 | 1 | 1 |
| | 44 | 52193A Filter-Holder Seat | Sitz vom Filtertråge | Siege du le porte-filtre | Filterholder sæde | | 1 | 1 | 1 |
| C | 45 | 52194A Housing + Filter, kit | Satz, Schutz + Filter | Groupe de protec. + filtre | Filter + hus, sæt | | 1 | 1 | 1 |
| C | 46 | 52195A Suction Plug, kit | Satz, Absaugdeckel | Groupe bouchon d'aspir. | Sugedæksel, sæt | | 1 | 1 | 1 |
| | 47 | 52196A Rod | Stange | Pivot | Stag | | 1 | 1 | 1 |
| B | 48 | 107115807 Gasket | Dichtung | Joint | Pakning | | 1 | 1 | 1 |
| | 49 | 107115808 Bassin | Kleine Wanne | Petit bassin | Lille kar | | 1 | 1 | 1 |
| | 50 | 107115809 Dowel, M5x45 | Mandenschraube | Vis | Gevindstykke | | 3 | 3 | 3 |
| B | 51 | 107115810 Tube | Rohr | Tube | Rør | | 1 | 1 | 1 |

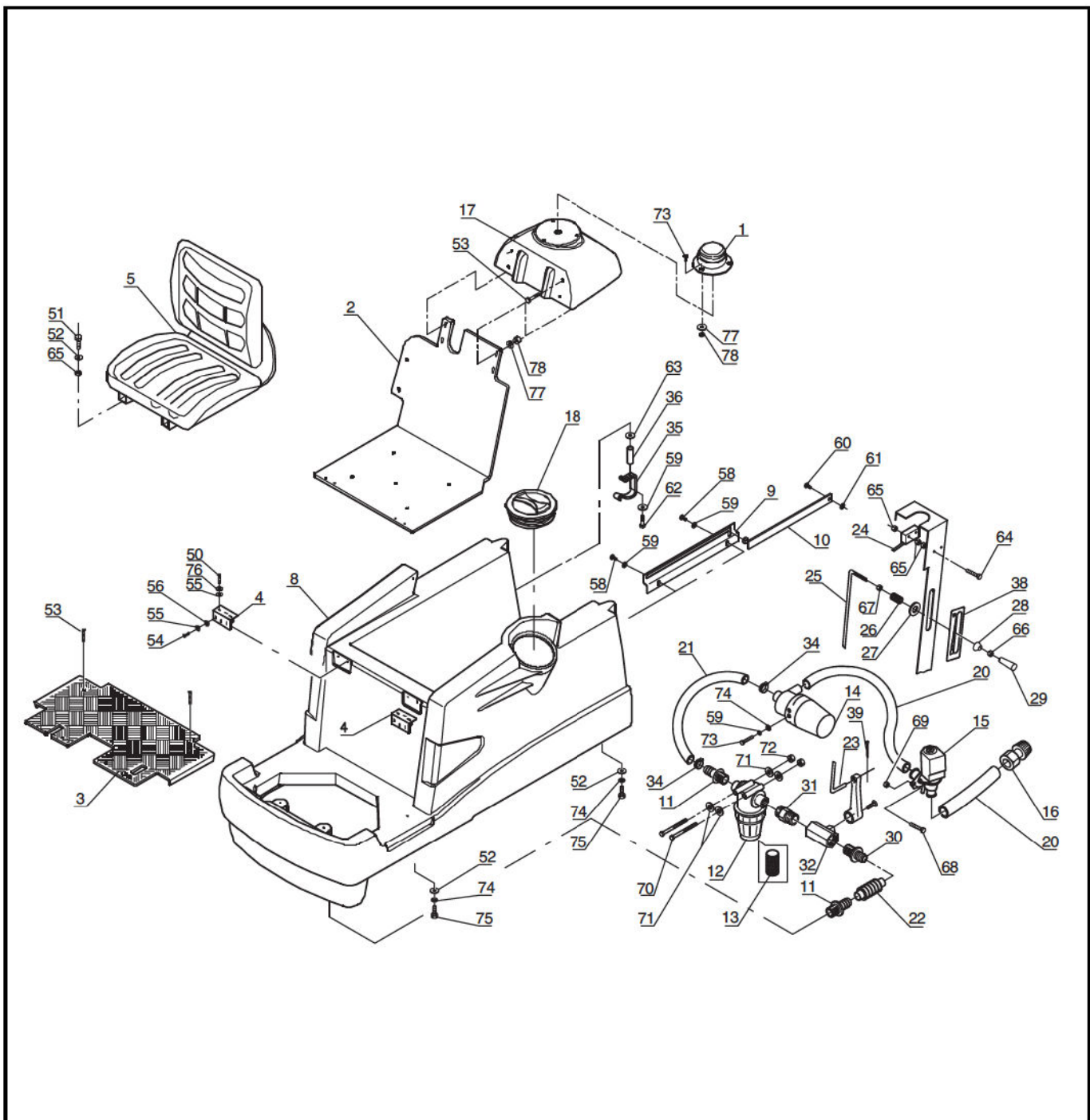
598 52 90 - ALTO - ENCORE RC - Feb. 2004

⊠ ATTENTION! - Lengths in metres - Please indicate required length when ordering! / ⊠ ACHTUNG! - Meterware. Bitte bei Bestellung gewünschte Länge angeben!
 ⊠ ATTENTION! - Longueurs par mètre - Préciser la longueur à la commande! / ⊠ BEMERK! - Meterware. Vær venlig at oplyse længde ved bestilling!



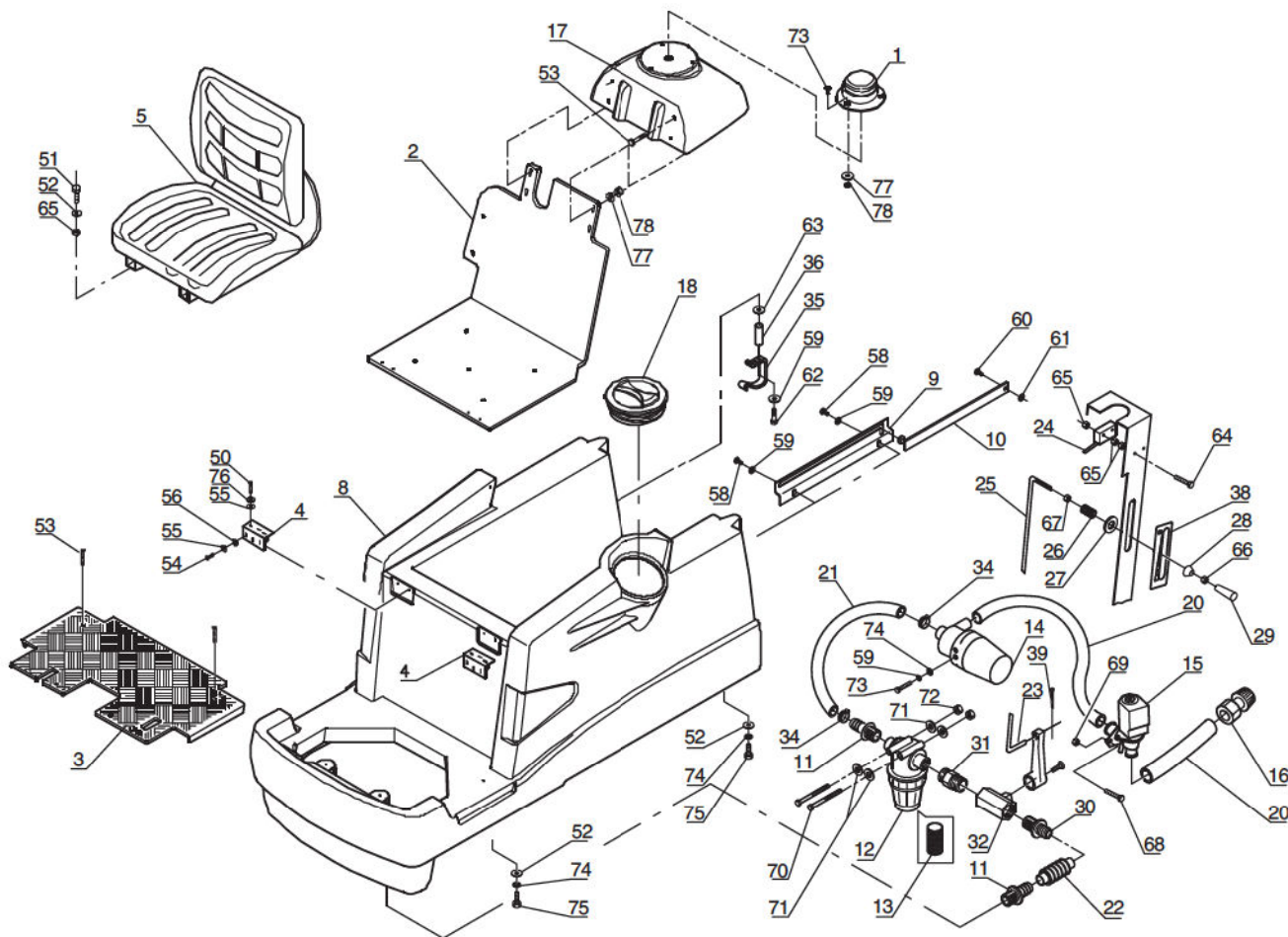
| Pos. | No. | Description | Bezeichnung | Désignation | Betegnelse | Comment Bemerkung Remarque Bemærkning | 26 | 28 | 30 |
|------|-----------|---------------------|----------------|--------------|--------------|--|----|----|----|
| 52 | 107115811 | Chain | Kette | Chaîne | Kæde | | | | |
| 53 | 17848 | Nut, M6 | Mutter | Ecrou | Møtrik | | | | |
| 54 | 1814637 | Screw, 4.2x16 | Schraube | Vis | Bolt | | | | |
| 56 | 1800440 | Washer, Ø 6x20 | Scheibe | Rondelle | Skive | | | | |
| 59 | 20908 | Nut, M8 | Mutter | Ecrou | Møtrik | | | | |
| 60 | 14054 | Screw, Ø 4.89x13 | Schraube | Vis | Bolt | | | | |
| 63 | 1806512 | Screw, M4x25 | Schraube | Vis | Bolt | | | | |
| 64 | 14802 | Washer, Ø 5x20 | Scheibe | Rondelle | Skive | | | | |
| 65 | 15319 | Nut, M4 | Mutter | Ecrou | Møtrik | | | | |
| 66 | 1808070 | Washer, Ø 4x9 Nylon | Scheibe | Rondelle | Skive | | | | |
| 67 | 1813690 | Screw, M6x16 | Schraube | Vis | Bolt | | | | |
| 68 | 1803378 | Washer, Ø 6 | Scheibe | Rondelle | Skive | | | | |
| 69 | 33158 | Lock Nut, M6 | Gegenmutter | Contre écrou | Låsemøtrik | | | | |
| 70 | 7473 | Screw, M6 | Schraube | Vis | Bolt | | | | |
| 71 | 1807825 | Washer, Ø 5 | Scheibe | Rondelle | Skive | | | | |
| 72 | 15498 | Washer, Ø 5x10 | Scheibe | Rondelle | Skive | | | | |
| 73 | 1801885 | Lock Nut, M5 | Gegenmutter | Contre écrou | Låsemøtrik | | | | |
| 74 | 18696 | Nut, M5 | Mutter | Ecrou | Møtrik | | | | |
| 75 | 5075 | Screw, 4.5x16 | Schraube | Vis | Bolt | | | | |
| 76 | 24809 | Dowel, 4.5x16 | Madensschraube | Vis | Gevindstykke | | | | |
| 77 | 14648 | Washer, Ø 8x17 | Scheibe | Rondelle | Skive | | | | |
| 78 | 20904 | Screw, M8x35 | Schraube | Vis | Bolt | | | | |
| 79 | 22476 | Bolt, M6x25 | Schraube | Vis | Bolt | | | | |

Seat and Solution Tank 26/28/30



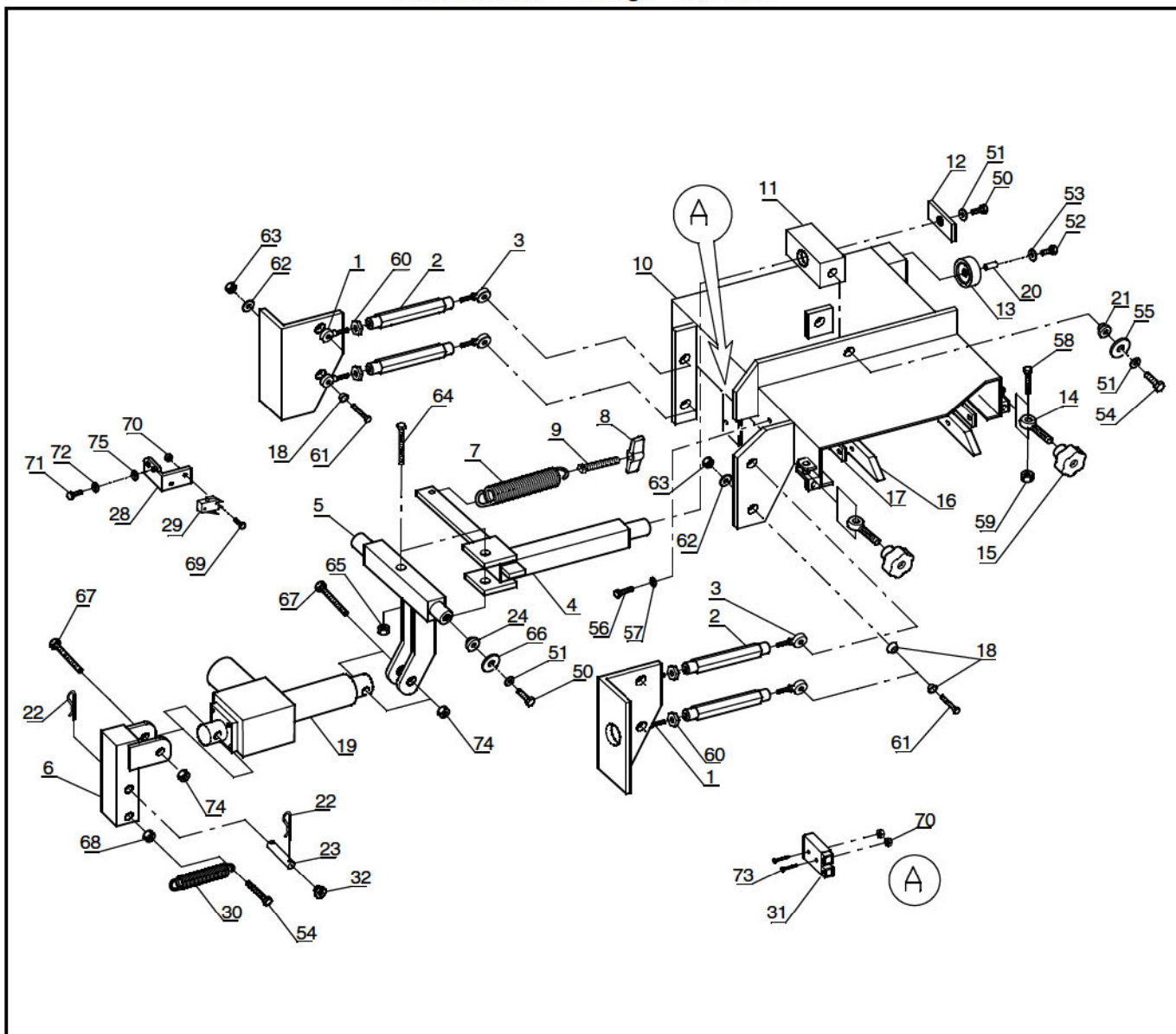
| Pos. | No. | Description | Bezeichnung | Désignation | Betegnelse | Comment Bemerkung Remarque Bemærkning | 26 | 28 | 30 | |
|------|-----|-------------|------------------|-------------------|-------------------|--|----|----|----|---|
| C | 24 | 40234A | Microswitch | Mikroschalter | Microinterrupteur | Microswitch | | 1 | 1 | 1 |
| | 25 | 52139A | Rod | Stange | Tige | Stag | | 1 | 1 | 1 |
| | 26 | 52140A | Spring | Feder | Ressort | Fjeder | | 1 | 1 | 1 |
| | 27 | 52141A | Washer, Ø 6x30x3 | Scheibe | Rondelle | Skive | | 1 | 1 | 1 |
| | 28 | 52143A | Washer | Scheibe | Rondelle | Skive | | 1 | 1 | 1 |
| | 29 | 52144A | Knob | Drehgriff | Poignée | Greb | | 1 | 1 | 1 |
| | 30 | 52145A | Connector | Schlauchanschluss | Raccord | Forskruning | | 1 | 1 | 1 |
| | 31 | 52146A | Nipple | Nippel | Raccord | Nippel | | 1 | 1 | 1 |
| C | 32 | 52147A | Ball Valve | Wasserhahn | Robinet | Kuglehane | | 1 | 1 | 1 |
| | 34 | 12058 | Clamp | Schlauchschelle | Collier | Spændebånd | | 3 | 3 | 3 |
| | 35 | 52149A | Coupler | Arretierung | Crochet | Låsebøjle | | 1 | 1 | 1 |
| | 36 | 51733A | Spacer | Distanzhülse | Entretoise | Afstandsstykke | | 1 | 1 | 1 |
| | 38 | 52151A | Decal | Schild | Etiquette | Skilt | | 1 | 1 | 1 |
| | 39 | 107115817 | Split pin | Splint | Goupille | Stift | | 2 | 2 | 2 |
| | 50 | 17847 | Screw, Ø 4.2x13 | Schraube | Vis | Bolt | | | | |
| | 51 | 8918 | Screw, M6x30 | Schraube | Vis | Bolt | | | | |
| | 52 | 1800440 | Washer, Ø 6x18 | Scheibe | Rondelle | Skive | | | | |
| | 53 | 1813484 | Screw, M6x16 | Schraube | Vis | Bolt | | | | |
| | 54 | 7473 | Screw, M5x12 | Schraube | Vis | Bolt | | | | |
| | 55 | 1807825 | Lock Washer, Ø 5 | Haltescheibe | Disque de blocage | Låseskive | | | | |
| | 56 | 15498 | Washer, Ø 5x10 | Scheibe | Rondelle | Skive | | | | |

598 52 90 - ALTO - ENCORE RC - Feb. 2004



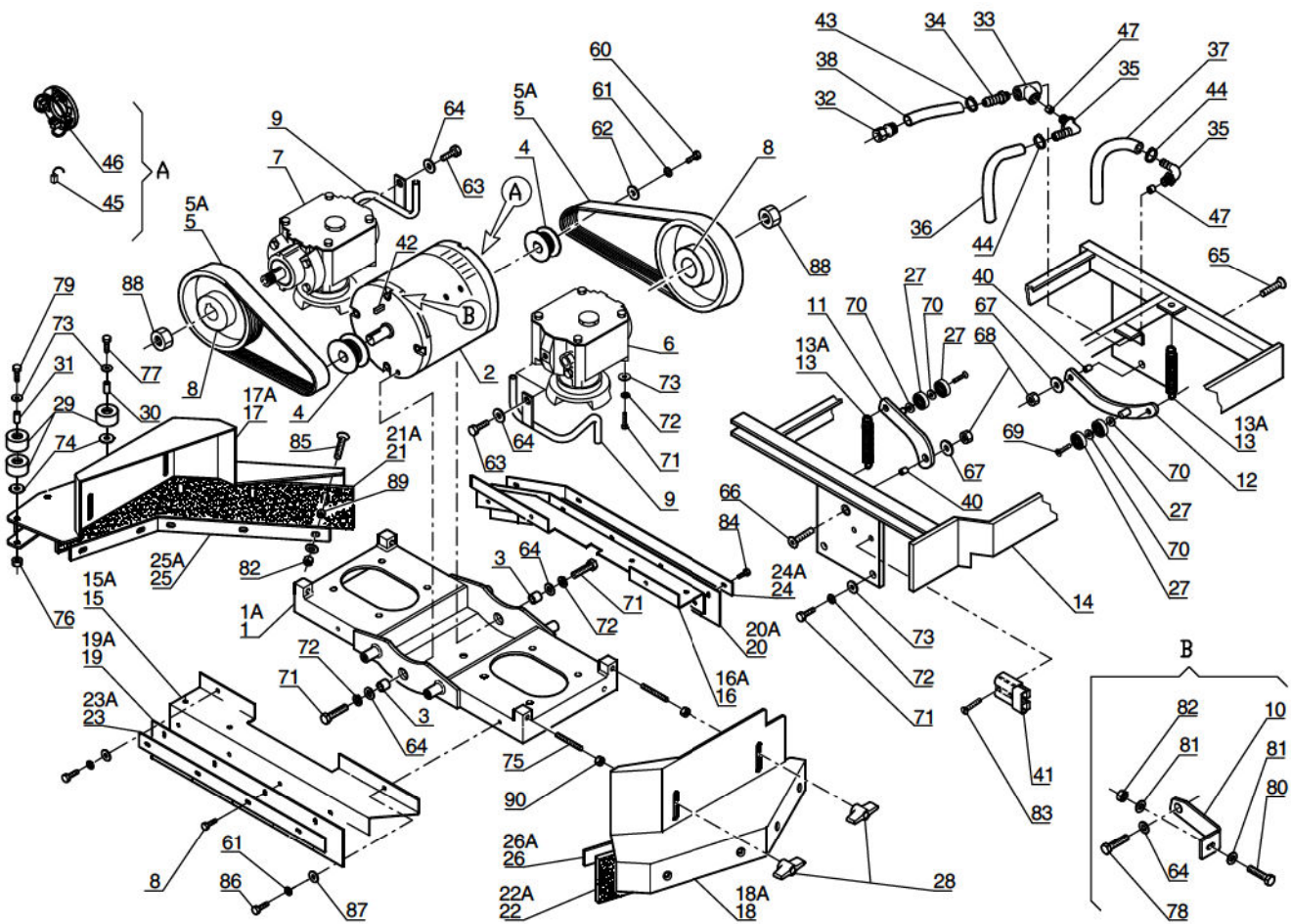
| Pos. | No. | Description | Bezeichnung | Désignation | Betegnelse | Comment Bemerkung Remarque Bemærkning | 26 | 28 | 30 |
|------|---------|------------------|--------------|--------------------|------------|--|----|----|----|
| 58 | 17847 | Screw, M6x20 | Schraube | Vis | Bolt | | | | |
| 59 | 1803378 | Washer, Ø 6x12 | Scheibe | Rondelle | Skive | | | | |
| 60 | 3455 | Screw, M8x25 | Schraube | Vis | Bolt | | | | |
| 61 | 34939 | Washer, Ø 8x24 | Scheibe | Rondelle | Skive | | | | |
| 62 | 1814634 | Screw, M6x50 | Schraube | Vis | Bolt | | | | |
| 63 | 25535 | Washer, Ø 6x24 | Scheibe | Rondelle | Skive | | | | |
| 64 | 1813856 | Screw, M3x40 | Schraube | Vis | Bolt | | | | |
| 65 | 1800168 | Nut, M3 | Mutter | Ecrou | Møtrik | | | | |
| 66 | 18696 | Nut, M5 | Mutter | Ecrou | Møtrik | | | | |
| 67 | 1801885 | Nut, M5 | Mutter | Ecrou | Møtrik | | | | |
| 68 | 1810290 | Screw, M4x12 | Schraube | Vis | Bolt | | | | |
| 69 | 50433 | Lock Nut, M4 | Gegenmutter | Contre écrou | Låsemøtrik | | | | |
| 70 | 8908 | Screw, M8x80 | Schraube | Vis | Bolt | | | | |
| 71 | 14648 | Washer, Ø 8x17 | Scheibe | Rondelle | Skive | | | | |
| 72 | 1809920 | Lock Nut, M8 | Gegenmutter | Contre écrou | Låsemøtrik | | | | |
| 73 | 1813690 | Screw, M6x16 | Schraube | Vis | Bolt | | | | |
| 74 | 1802875 | Lock Washer, Ø 6 | Haltescheibe | Disque de blocage | Låseskive | | | | |
| 75 | 17487 | Screw, M6x20 | Schraube | Vis | Bolt | | | | |
| 77 | 1800440 | Washer Ø6 | Scheibe | Rondelle | Skive | | | | |
| 78 | 1805399 | Lock nut | Gegenmutter | Ecrou autobloquant | Låsemøtrik | | | | |

Brush Head Carriage 26/28/30



| Pos. | No. | Description | Bezeichnung | Désignation | Betegnelse | Comment Bemerkung Bemærkning | 26 | 28 | 30 |
|------|--------|----------------|---------------------|------------------------|-------------------|------------------------------------|----|----|----|
| 1 | 52295A | Rod End, Left | Kopfgelenk, links | Tête articulée, gauche | Stag, venstre | | 4 | 4 | 4 |
| 2 | 52296A | Turnbuckle | Arm | Bras | Arm | | 4 | 4 | 4 |
| 3 | 52297A | Rod End, Right | Kopfgelenk, rechts | Tête articulée, droite | Stag, højre | | 4 | 4 | 4 |
| 4 | 52298A | Arm | Arm | Bras | Arm | | 1 | 1 | 1 |
| 5 | 52299A | Shaft | Lenkwelle | Arbre | Aksel | | 1 | 1 | 1 |
| 6 | 52310A | Coupling | Kupplung | Attaque | Kobling | | 1 | 1 | 1 |
| 7 | 52311A | Spring | Feder | Ressort | Fjeder | | 1 | 1 | 1 |
| 8 | 51649A | Wing Nut | Flügelschraube | Papillon | Vingemøtrik | | 1 | 1 | 1 |
| 9 | 52313A | Adjuster | Register | Registre | Justering | | 1 | 1 | 1 |
| 10 | 52314A | Support | Halterung | Support | Beslag | | 1 | 1 | 1 |
| 11 | 52315A | Stop Ring | Befestigungsring | Anneau d'arret | Stop ring | | 1 | 1 | 1 |
| 12 | 52316A | Plate | Befestigungsauflage | Plaquette | Plade | | 1 | 1 | 1 |
| 13 | 62924 | Wheel | Rad | Roue | Hjul | | 1 | 1 | 1 |
| 14 | 52318A | Tie Rod | Spannstange | Tige | Forbindelsesstag | | 1 | 1 | 1 |
| B | 15 | 40928 | Milled Nut | Rendelschraube | Pommeau | Fingermøtrik | 2 | 2 | 2 |
| 16 | 52320A | Guide | Führung | Guide | Styr | | 2 | 2 | 2 |
| 17 | 52321A | Shim | Beilagering | Epaisseur | Underlag | | 2 | 2 | 2 |
| 18 | 52322A | Spacer | Distanzhülse | Entotoise | Afstandsstykke | | 16 | 16 | 16 |
| B | 19 | 52323A | Actuator | Spindelmotor | Verin | Løftecylinder, børstedæk | 1 | 1 | 1 |
| 20 | 51651A | Bushing | Buchse | Bague | Bøsning | | 1 | 1 | 1 |
| 21 | 51789A | Bushing | Buchse | Bague | Bøsning | | 2 | 2 | 2 |
| 22 | 52326A | Clip | Splint | Epingle | Split | | 2 | 2 | 2 |
| 23 | 52327A | Pin | Bolzen | Ace | Bolt | | 1 | 1 | 1 |
| 24 | 51782A | Bushing | Buchse | Bague | Bøsning | | 2 | 2 | 2 |
| 28 | 52329A | Support | Halterung | Attaque | Beslag | | 1 | 1 | 1 |
| C | 29 | 40234A | Microswitch | Mikroschalter | Microinterrupteur | Microswitch | 1 | 1 | 1 |
| 30 | 52330A | Spring | Feder | Ressort | Fjeder | | 1 | 1 | 1 |
| 31 | 51539A | Connector | Ladestecker | Connecteur | Stik, børstedæk | | 1 | 1 | 1 |
| 32 | 52332A | Bushing | Buchse | Bague | Bøsning | | 2 | 2 | 2 |

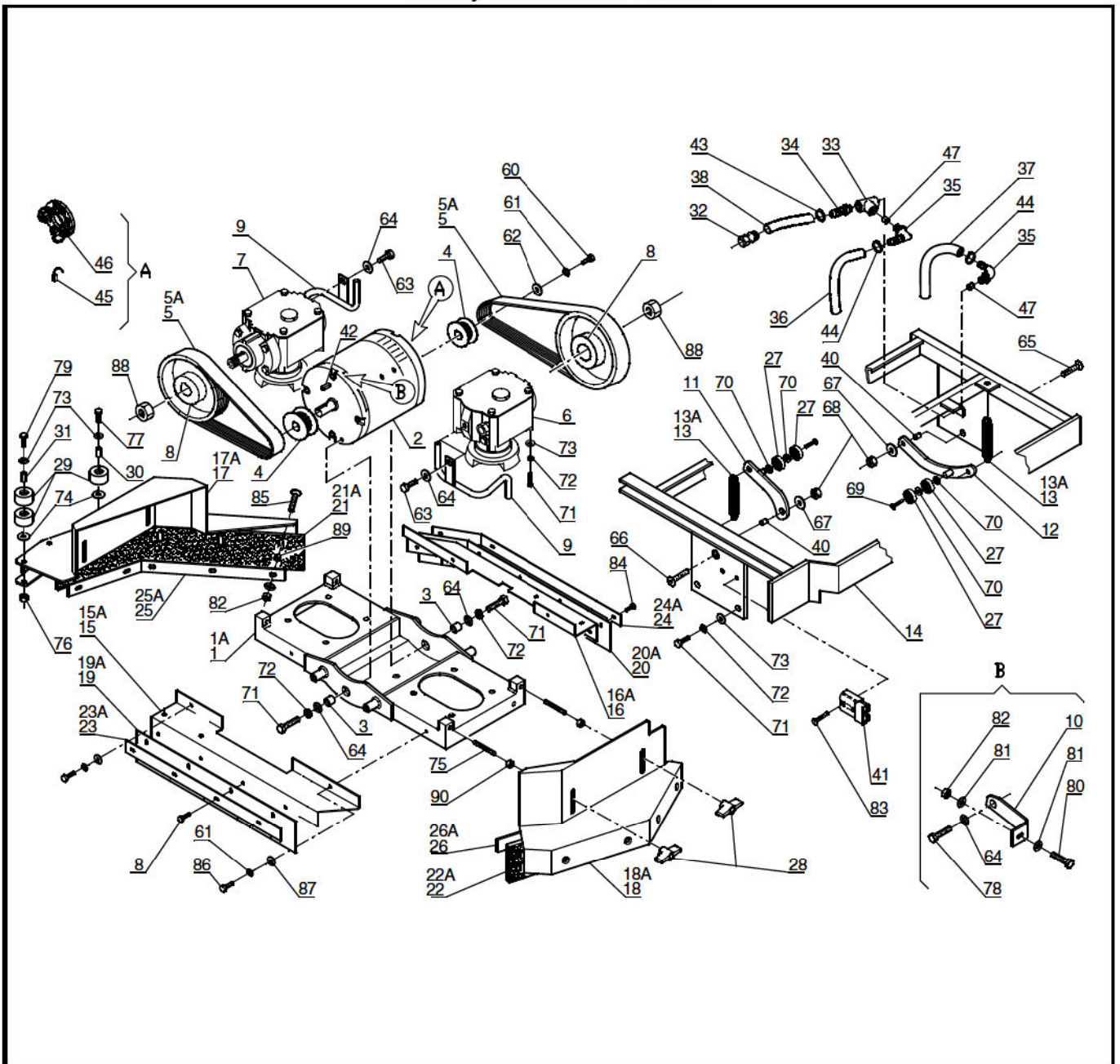
Rotary Brush Head 26/30



| Pos. | No. | Description | Bezeichnung | Désignation | Betegnelsen | Comment Bemerkung Remarque Bemærkning | 26 | 28 | 30 |
|------|--------|-----------------|---------------------|-----------------------|-------------------------|--|----|----|----|
| 1 | 51596A | Base, Brushes | Bürstengestell | Embase des brosses | Børstedæk, basis | | 1 | | |
| 1A | 51597A | Base, Brushes | Bürstengestell | Embase des brosses | Børstedæk, basis | | | | 1 |
| 2 | 51598A | Motor 36V, 900W | Motor | Moteur | Motor | | 1 | | 1 |
| 3 | 51599A | Bushing | Buchse | Bague | Bøsning | | 2 | | 2 |
| 4 | 51614A | Motor Pulley | Riemenscheibe Motor | Poulie de moteur | Remskive f. motor | | 2 | | 2 |
| B | 51615A | Belt | Riemen | Courroie | Rem | | 2 | | |
| B | 5A | 51335A | Belt | Riemen | Courroie | Rem | | | 2 |
| B | 6 | 51616A | Left Gearbox | Betriebe kompl. links | Reducteur compl. gauche | Gearboks, venstre | 1 | | 1 |
| B | 7 | 51617A | Right Gearbox | Getriebe komp. rechts | Reducteur compl. droite | Gearboks, højre | 1 | | 1 |
| 8 | 51618A | Pulley | Riemenscheibe | Poulie | Remskive | | 2 | | 2 |
| 9 | 51619A | Pipe | Rohr | Tube | Rør | | 2 | | 2 |
| 10 | 51620A | Support | Halterung | Support | Beslag | | 1 | | 1 |
| 11 | 51621A | Support | Halterung | Support | Beslag | | 1 | | 1 |
| 12 | 51622A | Support | Halterung | Support | Beslag | | 1 | | 1 |
| 13 | 51623A | Spring | Feder | Ressort | Fjeder | | 2 | | |
| 13A | 51624A | Spring | Feder | Ressort | Fjeder | | | | 2 |
| 14 | 51625A | Coupling | Kupplung | Attaque | Kobling | | 1 | | 1 |
| 15 | 51626A | Support | Halterung | Support | Beslag | | 1 | | |
| 15A | 51627A | Support | Halterung | Support | Beslag | | | | 1 |
| 16 | 51628A | Support | Halterung | Support | Beslag | | 1 | | |
| 16A | 51629A | Support | Halterung | Support | Beslag | | | | 1 |
| 17 | 51630A | Support | Halterung | Support | Beslag | | 1 | | |
| 17A | 51631A | Support | Halterung | Support | Beslag | | | | 1 |
| 18 | 51632A | Support | Halterung | Support | Beslag | | 1 | | |
| 18A | 51633A | Support | Halterung | Support | Beslag | | | | 1 |

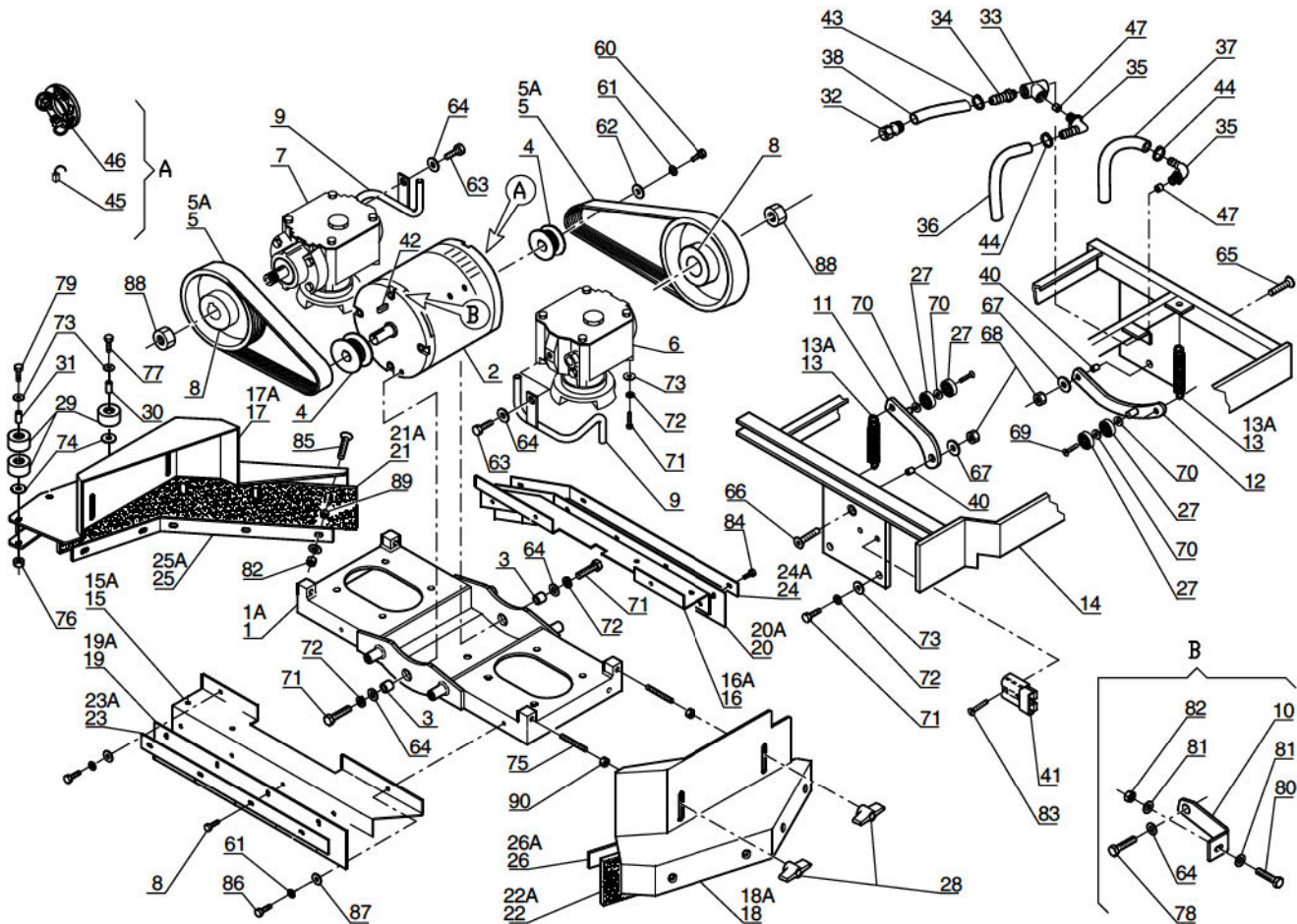
598 52 90 - ALTO - ENCORE RC - Feb. 2004

Rotary Brush Head 26/30



| Pos. | No. | Description | Bezeichnung | Désignation | Betegnelse | Comment Bemerkung Remarque Bemærkning | 26 | 28 | 30 |
|-------|--------|-------------|------------------------|--------------------|----------------|--|----|----|----|
| | | | | | | | | | |
| A 19 | 51634A | Front Skirt | Spritzgummi, Front | Bavette, avant | Skørt, front | | 1 | | |
| A 19A | 51635A | Front Skirt | Spritzgummi, Front | Bavette, avant | Skørt, front | | | | 1 |
| A 20 | 51326A | Rear Skirt | Spritzgummi, Rückseite | Bavette, arrière | Skørt, bag | | 1 | | |
| A 20A | 51330A | Rear Skirt | Spritzgummi, Rückseite | Bavette, arrière | Skørt, bag | | | | 1 |
| A 21 | 51636A | Right Skirt | Spritzgummi, rechts | Bavette, droite | Skørt højre | | 1 | | |
| A 21A | 51637A | Right Skirt | Spritzgummi, rechts | Bavette, droite | Skørt højre | | | | 1 |
| A 22 | 51638A | Left Skirt | Spritzgummi, links | Bavette, gauche | Skørt venstre | | 1 | | |
| A 22A | 51639A | Left Skirt | Spritzgummi, links | Bavette, gauche | Skørt venstre | | | | 1 |
| A 23 | 51640A | Front Blade | Leiste, Front | Plaquette, avant | Liste, front | | 1 | | |
| A 23A | 51641A | Front Blade | Leiste, Front | Plaquette, avant | Liste, front | | | | 1 |
| A 24 | 51642A | Rear Blade | Leiste, Rückseite | Plaquette, arrière | Liste, bag | | 1 | | |
| A 24A | 51643A | Rear Blade | Leiste, Rückseite | Plaquette, arrière | Liste, bag | | | | 1 |
| A 25 | 51644A | Right Blade | Leiste, rechts | Plaquette, droite | Liste, højre | | 1 | | |
| A 25A | 51645A | Right Blade | Leiste, rechts | Plaquette, droite | Liste, højre | | | | 1 |
| A 26 | 51646A | Left Blade | Leiste, links | Plaquette, gauche | Liste, venstre | | 1 | | |
| A 26A | 51647A | Left Blade | Leiste, links | Plaquette, gauche | Liste, venstre | | | | 1 |
| 27 | 19525 | Bearing | Lager | Roulement | Leje | | 4 | 4 | 4 |
| A 28 | 51649A | Wing nut | Flugelschraube | Papillon | Vingemøtrik | | 4 | 4 | 4 |
| 29 | 62924 | Wheel | Rad | Roue | Hjul | | 4 | 4 | 4 |
| 30 | 51651A | Bushing | Buchse | Bague | Bøsning | | 2 | 2 | 2 |
| 31 | 51652A | Bushing | Buchse | Bague | Bøsning | | 1 | 1 | 1 |
| 32 | 51586A | Fitting | Verschraubung | Raccord | Forskruning | | 1 | 1 | 1 |
| 33 | 51654A | Fitting | Verschraubung | Raccord | Forskruning | | 1 | 1 | 1 |
| 34 | 51655A | Connector | Schlauchanschluss | Raccord | Slangestuds | | 1 | 1 | 1 |
| 35 | 62914 | Connector | Schlauchanschluss | Raccord | Slangestuds | | 2 | 2 | 2 |

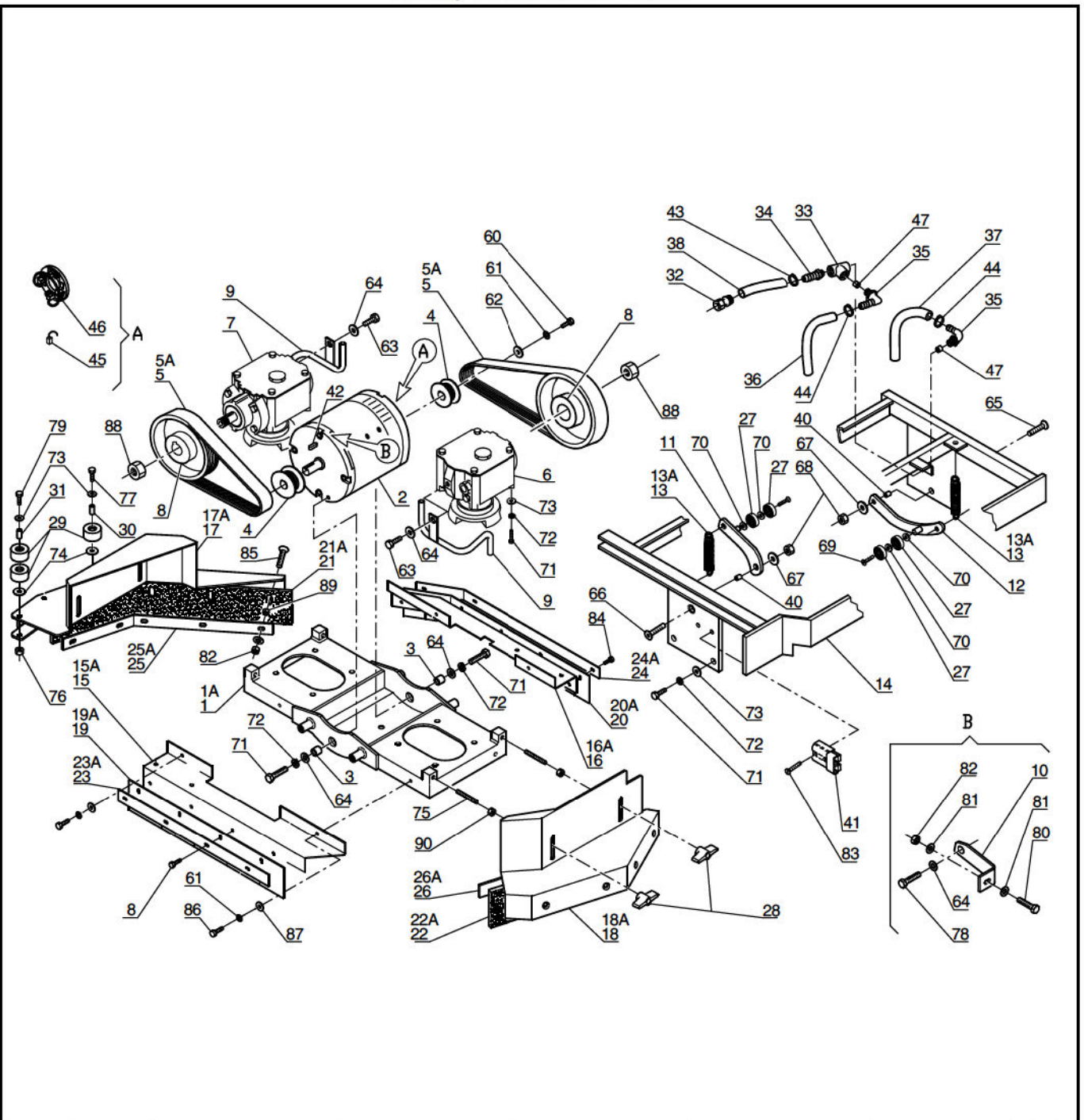
Rotary Brush Head 26/30



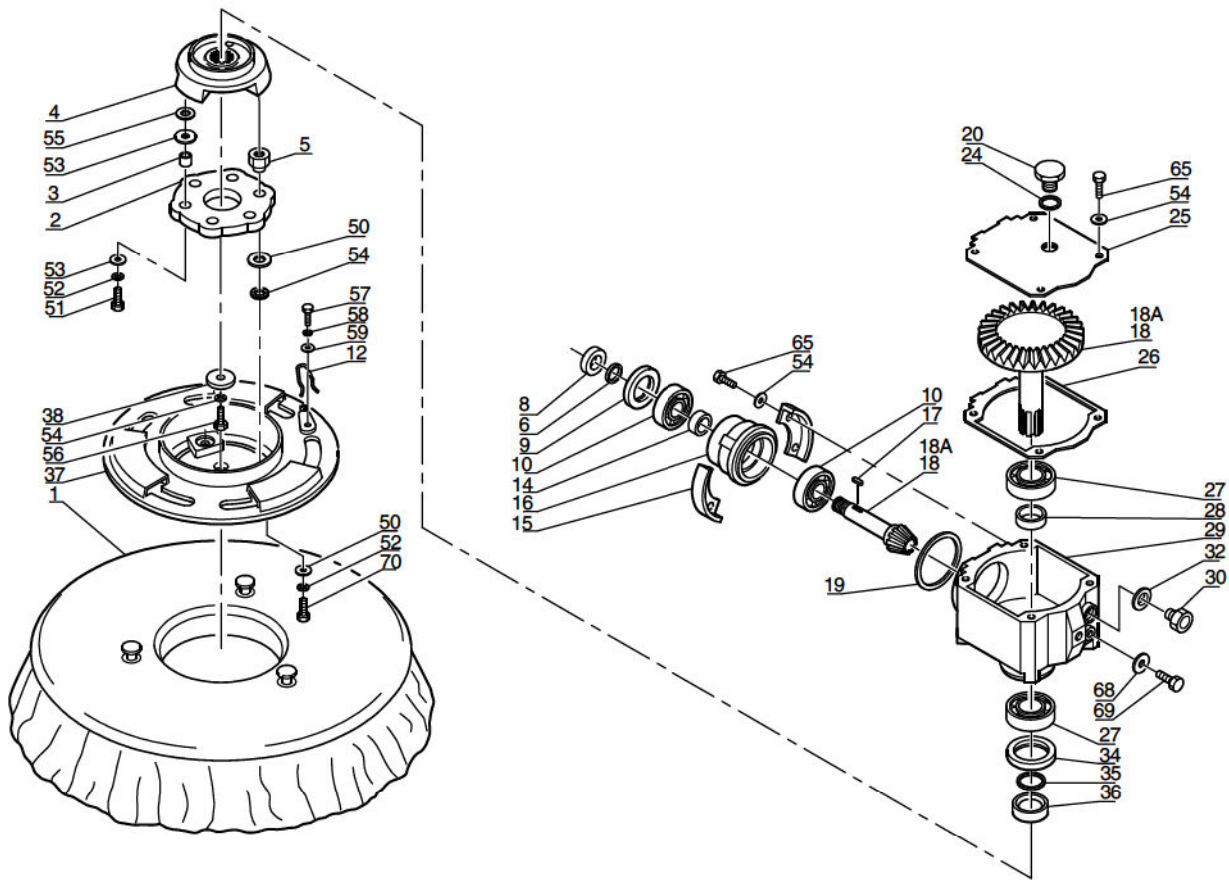
| Pos. | No. | Description | Bezeichnung | Désignation | Betegnelse | Comment Bemerkung Remarque Bemærkning | 26 | 28 | 30 |
|------|-----|-------------|-----------------|---------------|--------------|--|----|----|----|
| | | | | | | | | | |
| B □ | 36 | 8826 | Hose | Schlauch | Tuyau | Slange | | 1 | 1 |
| B □ | 37 | 8826 | Hose | Schlauch | Tuyau | Slange | | 1 | 1 |
| B | 38 | 51659A | Hose | Schlauch | Tuyau | Slange | | 1 | 1 |
| | 40 | 51661A | Bushing | Buchse | Bague | Bøsning | | 2 | 2 |
| | 41 | 51539A | Connector | Ladestecker | Connecteur | Stik, børstedæk | | 1 | 1 |
| | 42 | 7114188 | Key | Passfeder | Langnette | Feder | | 2 | 1 |
| | 43 | 1810191 | Clamp | Schlauchselle | Collier | Spændebånd | | 1 | 1 |
| | 44 | 1802925 | Clamp | Schlauchselle | Collier | Spændebånd | | 2 | 2 |
| | 45 | 51666A | Brush | Bürstomotor | Brosse | Børste | | | |
| | 46 | 51667A | Support | Lager | Support | Holder | | | |
| | 47 | 107115822 | Spacer | Distanzhülse | Entretoise | Afstandsstykke | | 2 | 2 |
| | 60 | 1813690 | Screw, M6x16 | Schraube | Vis | Bolt | | | |
| | 61 | 1802875 | Washer, Ø 6 | Scheibe | Rondelle | Skive | | | |
| | 62 | 25535 | Washer, Ø 6x24 | Scheibe | Rondelle | Skive | | | |
| | 63 | 6061 | Screw, M10x12 | Schraube | Vis | Bolt | | | |
| | 64 | 1800317 | Washer, Ø 10x21 | Scheibe | Rondelle | Skive | | | |
| | 65 | 24319 | Screw, M10x35 | Schraube | Vis | Bolt | | | |
| | 66 | 1802404 | Screw, M10x35 | Schraube | Vis | Bolt | | | |
| | 67 | 14966 | Washer, Ø 10x30 | Scheibe | Rondelle | Skive | | | |
| | 68 | 1801257 | Lock Nut, M10 | Gegenmutter | Contre écrou | Låsemøtrik | | | |
| | 69 | 24310 | Screw, M8x16 | Schraube | Vis | Bolt | | | |

18 □ ATTENTION! - Lengths in metres - Please indicate required length when ordering! / □ ACHTUNG! - Meterware - Bitte bei Bestellung gewünschte Länge angeben!
 □ ATTENTION! - Longueurs en mètres - Préciser la longueur à la commande! / □ BEWAHR! - Meterware - Vor Bestellung angegebene Länge angeben!

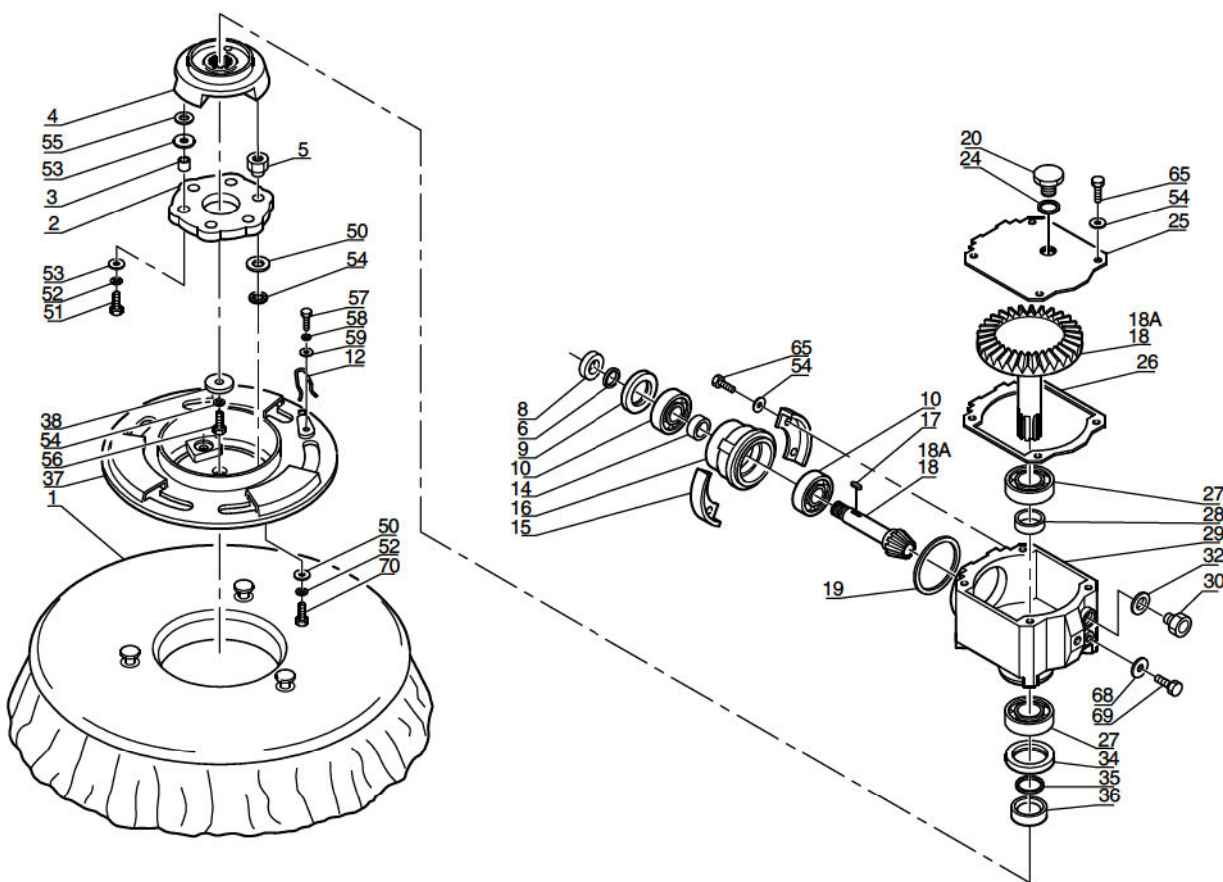
Rotary Brush Head 26/30



| Pos. | No. | Description | Bezeichnung | Désignation | Betegnelse | Comment Bemerkung Remarque Bemærkning | 26 | 28 | 30 |
|------|---------|-------------------|----------------|--------------|--------------|--|----|----|----|
| 70 | | Washer, Ø 15 | Scheibe | Rondelle | Skive | | | | |
| 71 | 3455 | Screw, M8x25 | Schraube | Vis | Bolt | | | | |
| 72 | 14649 | Washer, Ø 8 | Scheibe | Rondelle | Skive | | | | |
| 73 | 14648 | Washer, Ø 8x17 | Scheibe | Rondelle | Skive | | | | |
| 74 | 34939 | Washer, Ø 8x24 | Scheibe | Rondelle | Skive | | | | |
| 75 | 2946 | Dowel, M8x40 | Mandenschraube | Vis | Gevindstykke | | | | |
| 76 | 1809920 | Lock Nut, M8 | Gegenmutter | Contre écrou | Låsemøtrik | | | | |
| 77 | 51154 | Screw, M8x30 | Schraube | Vis | Bolt | | | | |
| 78 | 8926 | Screw, M10x20 | Schraube | Vis | Bolt | | | | |
| 79 | 3345 | Screw, M8x70 | Schraube | Vis | Bolt | | | | |
| 80 | 17847 | Screw, M6x20 | Schraube | Vis | Bolt | | | | |
| 81 | 1803378 | Washer, Ø 6x12 | Scheibe | Rondelle | Skive | | | | |
| 82 | 33158 | Lock Nut, M6 | Gegenmutter | Contre écrou | Låsemøtrik | | | | |
| 83 | 1813930 | Screw, M3x16 | Schraube | Vis | Bolt | | | | |
| 84 | 23394 | Screw, M5x16 | Schraube | Vis | Bolt | | | | |
| 85 | 24311 | Screw, M6x25 | Schraube | Vis | Bolt | | | | |
| 86 | 19647 | Screw, M6x10 | Schraube | Vis | Bolt | | | | |
| 87 | 1800440 | Washer, Ø 6x18 | Scheibe | Rondelle | Skive | | | | |
| 88 | 4800125 | Lock Nut, M16x1,5 | Gegenmutter | Contre écrou | Låsemøtrik | | | | |
| 89 | 17848 | Nut, M6 | Mutter | Ecrou | Møtrik | | | | |
| 90 | 20908 | Nut, M8 | Mutter | Ecrou | Møtrik | | | | |

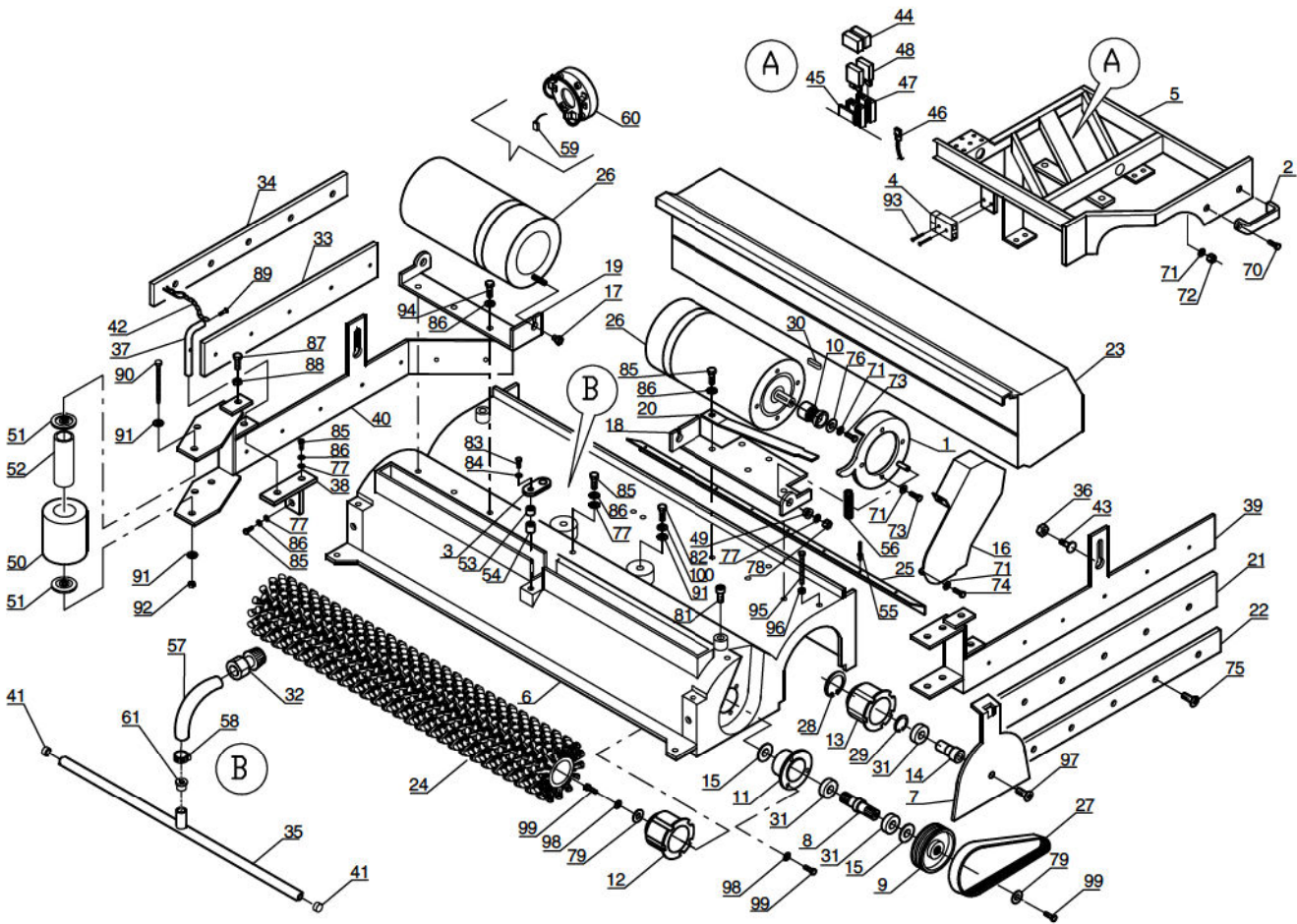


| Pos. | No. | Description | Bezeichnung | Désignation | Betegnelsen | Comment Bemerkung Remarque Bemærkning | 26 | 28 | 30 |
|------|-----------|------------------------|-------------------------|--------------------------|---------------------------|--|----|----|----|
| 1 | * | Brush | Bürste | Brosse | Børste | | 2 | 2 | |
| 2 | 52239A | Flexible Coupling | Gummikupplung | Entrinement elastique | Gummikobling | | 2 | 2 | |
| 3 | 52240A | Spacer | Distanzhülse | Entretoise | Afstandsstykke | | 6 | | |
| 4 | 52241A | Flange | Flansche | Flasque | Flange | | 2 | 2 | |
| 5 | 52242A | Bushing | Buchse | Bague | Bøsning | | 6 | 6 | |
| 6 | 52243A | Gasket | Dichtung | Joint | Pakning | | 2 | 2 | |
| 8 | 52244A | Spacer | Distanzhülse | Entretoise | Afstandsstykke | | 2 | 2 | |
| B | 9 | 51336A | Oil Seal | Simmering | Joint paulstra | Olietætning | 2 | 2 | |
| 10 | 106481879 | Bearing | Lager | Roulement | Leje | | 4 | 4 | |
| B | 12 | 52246A | Spring | Feder | Ressort | Fjeder | 2 | 2 | |
| 14 | 52247A | Spacer | Distanzhülse | Entretoise | Afstandsstykke | | 2 | 2 | |
| 15 | 52248A | Clamp, Gearbox | Zwinge | Etau | Spændestykke, gear | | 4 | 4 | |
| 16 | 52249A | Support | Halterung | Support | Holder | | 2 | 2 | |
| 17 | 52250A | Key | Federkeil | Clavette | Feder | | 2 | 2 | |
| 18 | 52251A | Bevel Wheel kit, Left | Kegelradpaarung, links | Pair conique red. gauche | Tandhjulsæt , venstre | | 1 | 1 | |
| 18A | 52252A | Bevel Wheel kit, Right | Kegelradpaarung, rechts | Pair conique red. droite | Tandhjulsæt konisk, højre | | 1 | 1 | |
| 19 | 52253A | Gasket | Dichtring | Joint | Pakning | | 2 | 2 | |
| C | 20 | 52254A | Air Relief Plug | Stöpsel | Bouchon | Udluftningsprop | 2 | 2 | |
| C | 24 | 52255A | Gasket | Dichtung | Joint | Pakning | 2 | 2 | |
| 25 | 52256A | Cover | Deckel | Couvercle | Dæksel | | 2 | 2 | |
| C | 26 | 52257A | Gasket | Dichtung | Joint | Pakning | 2 | 2 | |
| 27 | 902515 | Bearing | Lager | Roulement | Leje | | 4 | 4 | |
| 28 | 52259A | Spacer | Distanzhülse | Entretoise | Afstandsstykke | | 2 | 2 | |



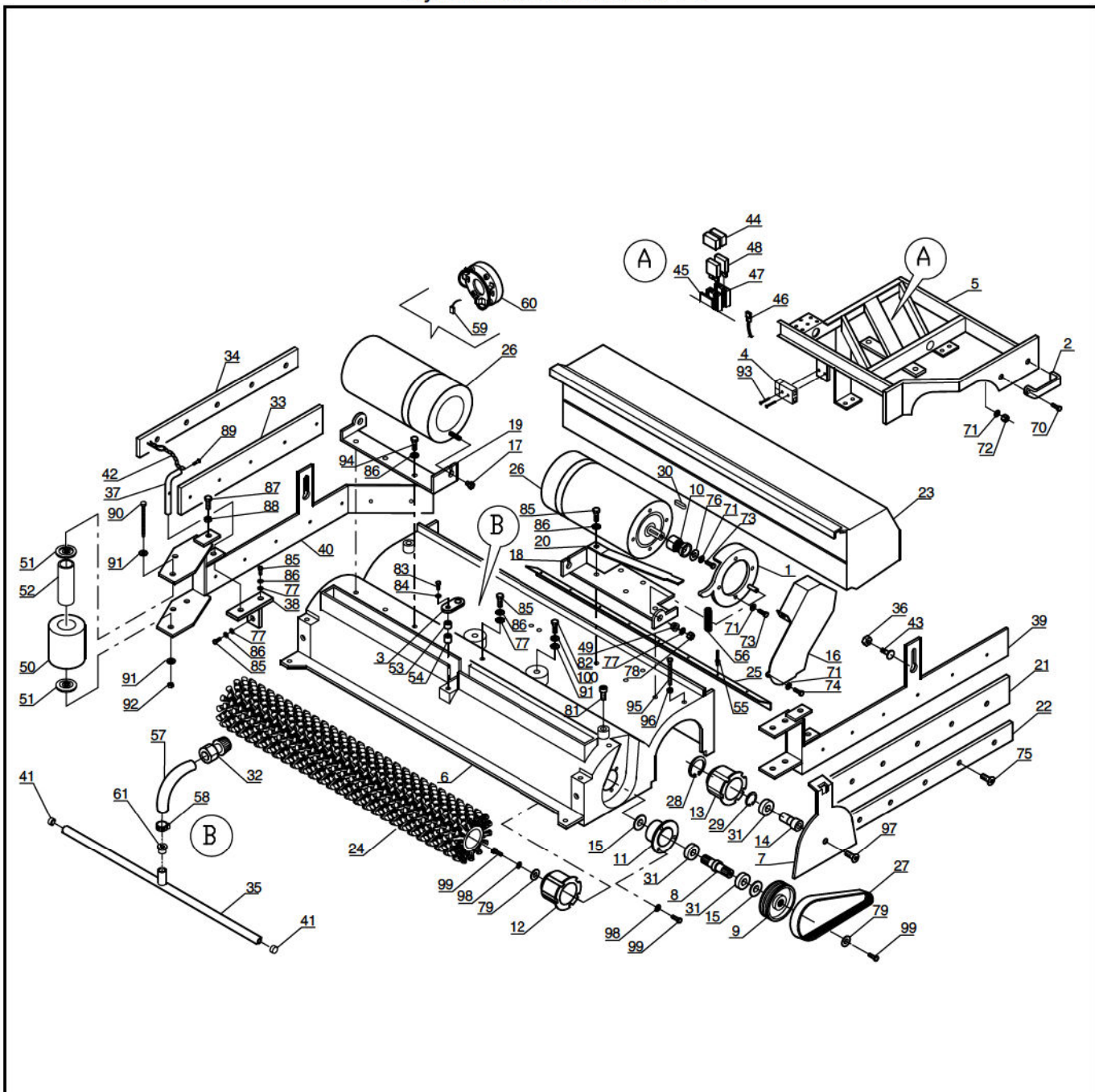
| Pos. | No. | Description | Bezeichnung | Désignation | Betegnelse | Comment Bemerkung Bemærkning | 26 | 28 | 30 |
|------|-----|-------------|------------------|-----------------|--------------------|------------------------------------|----|----|----|
| | 29 | 52270A | Gear Box Housing | Getriebegehäuse | Boîtier reducteur | Hus, gear box | | 2 | 2 |
| C | 30 | 52271A | Level Plug | Standsschraube | Bouchon de niveau | Niveauprop | | 2 | 2 |
| C | 32 | 63029 | Gasket | Dichtring | Joint | Pakning | | 2 | 2 |
| B | 34 | 51337A | Oil Seal | Simmering | Joint pauetra | Olietætning | | 2 | 2 |
| | 35 | 52273A | O-Ring | O-Ring | Joint torique | O-ring | | 2 | 2 |
| | 36 | 52274A | Spacer | Distanzhülse | Entretoise | Afstandsstykke | | 2 | 2 |
| B | 37 | 52275A | Brush Holder | Bürstenträger | Plateau | Børsteholder | | 2 | 2 |
| | 38 | 52276A | Washer | Scheibe | Rondelle | Skive | | 2 | 2 |
| | 50 | 14648 | Washer, Ø8x18 | Scheibe | Rondelle | Skive | | | |
| | 51 | 51154 | Screw, M8x30 | Schraube | Vis | Bolt | | | |
| | 52 | 1810274 | Lock Washer, Ø8 | Haltescheibe | Disque de blocage | Låseskive | | | |
| | 53 | 34939 | Washer, Ø8x24 | Scheibe | Rondelle | Skive | | | |
| | 54 | 14649 | Split Washer, Ø8 | Federring | Rondelle élastique | Splitskive | | | |
| | 55 | 14648 | Washer, Ø 8x17 | Scheibe | Rondelle | Skive | | | |
| | 56 | 1814632 | Screw, M8x18 | Schraube | Vis | Bolt | | | |
| | 57 | 19647 | Screw, M8x18 | Schraube | Vis | Bolt | | | |
| | 58 | 1802875 | Washer, Ø6 | Scheibe | Rondelle | Skive | | | |
| | 59 | 25535 | Washer, Ø6x24 | Scheibe | Rondelle | Skive | | | |
| | 65 | 31411 | Screw, M8x20 | Schraube | Vis | Bolt | | | |
| | 68 | 1800317 | Washer, Ø10x16 | Scheibe | Rondelle | Skive | | | |
| | 69 | 6061 | Screw, M10x12 | Schraube | Vis | Bolt | | | |
| | 70 | 51154 | Screw, M8x30 | Schraube | Vis | Bolt | | | |

Cylindrical Brush Head 28



| Pos. | No. | Description | Bezeichnung | Désignation | Betegnelse | Comment Bemerkung Remarque Bemærkning | 26 | 28 | 30 |
|------|--------|------------------|---------------------|------------------|---------------------|--|----|----|----|
| 1 | 51536A | Plate | Teller | Plaque | Plade | | | 2 | |
| 2 | 51537A | Handle | Handgriff | Manche | Håndtag | | | 1 | |
| 3 | 51538A | Retainer Plate | Befestigungsauflage | Plaquette | Beslag | | | 1 | |
| C | 4 | 51539A | Connector | Ladestecker | Connecteur | Stik, børstedæk | | 1 | |
| 5 | 51540A | Coupling | Kupplung | Attaque | Kobling | | | 1 | |
| 6 | 51541A | Housing, Brushes | Tunnel | Carter balai | Hus f. børster | | | 1 | |
| 7 | 51542A | Plate | Teller | Plaque | Plade | | | 2 | |
| C | 8 | 51543A | Shaft | Lenkwelle | Arbre | Aksel | | 2 | |
| C | 9 | 51544A | Pulley | Riemenscheibe | Poulie | Remskive | | 2 | |
| 10 | 51545A | Motor Pulley | Riemenscheibe Motor | Poulie de moteur | Remskive, motor | | | 2 | |
| 11 | 51546A | Support | Halterung | Support | Holder | | | 2 | |
| 12 | 51547A | Hub | Nabe | Moyeu | Nav | | | 2 | |
| 13 | 51548A | Hub | Nabe | Moyeu | Nav | | | 2 | |
| 14 | 51549A | Pin | Bolzen | Axe | Bolt | | | 2 | |
| 15 | 51550A | Spacer | Distanzhülse | Entretoise | Afstandsstykke | | | 4 | |
| 16 | 51551A | Cover | Abdeckung | Carter | Afdækning | | | 2 | |
| 17 | 51552A | Bushing | Buchse | Bague | Bøsning | | | 2 | |
| 18 | 51553A | Support | Halterung | Support | Holder | | | 1 | |
| 19 | 51554A | Support | Halterung | Support | Holder | | | 1 | |
| 20 | 51555A | Spring | Feder | Ressort | Fjeder | | | 2 | |
| 21 | 51556A | Left Side Skirt | Spritzgummi | Bavette | Skørt, venstre side | | | 1 | |
| A | 22 | 51557A | Blade | Leiste | Plaquette | Liste | | 1 | |
| C | 23 | 51558A | Drawer | Schubblade | Tiroir | Udtræk | | 1 | |

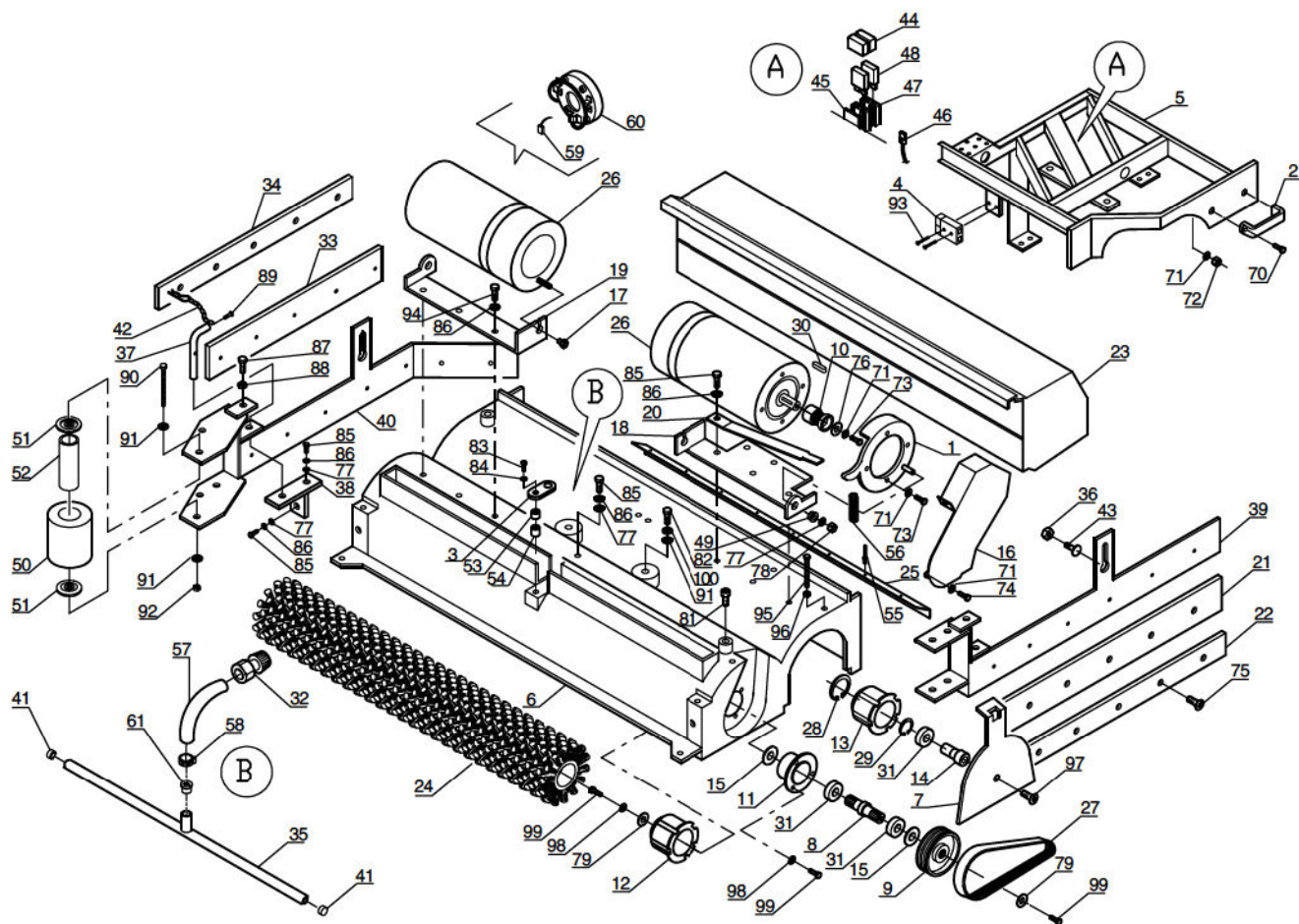
Cylindrical Brush Head 28



| Pos. | No. | Description | Bezeichnung | Désignation | Betegnelsen | Comment Bemerkung Remarque Bemærkning | 26 | 28 | 30 |
|------|-----|-------------|---------------------|---------------|-------------|--|----|----|----|
| A | 24 | 51295A | Cylindrical Brush | Bürste | Brosse | Børste, cylindrisk | | 2 | |
| | 25 | 51559A | Blade | Leiste | Plaquette | Liste | | 1 | |
| B | 26 | 51560A | Motor | Motor | Moteur | Motor | | 2 | |
| B | 27 | 51561A | Belt | Riemen | Courroie | Rem | | 2 | |
| | 28 | 32100 | Seeger Circlip Ring | Seegerring | Serre clips | Seegerring | | 2 | |
| | 29 | 7114167 | Seeger Circlip Ring | Seegerring | Serre clips | Seegerring | | 2 | |
| | 30 | 7114188 | Key | Federkeil | Clavette | Feder | | 2 | |
| C | 31 | 19525 | Bearing | Lager | Roulement | Leje | | 2 | |
| | 32 | 51566A | Fitting | Verschraubung | Raccord | Forskruning | | 1 | |
| | 33 | 51567A | Right Side Skirt | Spritzgummi | Bavette | Skørt, højre side | | 1 | |
| A | 34 | 51568A | Blade | Leiste | Plaquette | Liste | | 1 | |
| C | 35 | 51569A | Tube | Rohr | Tuyau | Rør | | 1 | |
| | 36 | 51570A | Spacer | Distanzhülse | Entretoise | Afstandsstykke | | 2 | |
| | 37 | 51571A | Spring Pin | Spannstift | Fourchette | Spændstift | | 2 | |
| | 38 | 51572A | Coupling | Kupplung | Attaque | Kobling | | 2 | |
| | 39 | 51573A | Support | Halterung | Support | Holder | | 1 | |
| | 40 | 51574A | Support | Halterung | Support | Holder | | 1 | |
| C | 41 | 51575A | Plug | Pfropfen | Bouchon | Prop | | 2 | |
| | 42 | 51576A | Chain | Kette | Chaine | Kæde | | 2 | |
| | 43 | 1803170 | Screw | Schraube | Vis | Bolt | | 2 | |
| | 44 | 51578A | Cover | Deckel | Couvercle | Dæksel | | 2 | |
| | 45 | 51579A | Support Plate | Stützplatte | Plaquette | Endestop | | 1 | |
| | 46 | 51580A | Terminal | Klemme | Borne | Kabelsko | | 4 | |

598 52 90 - ALTO - ENCORE RC - Feb. 2004

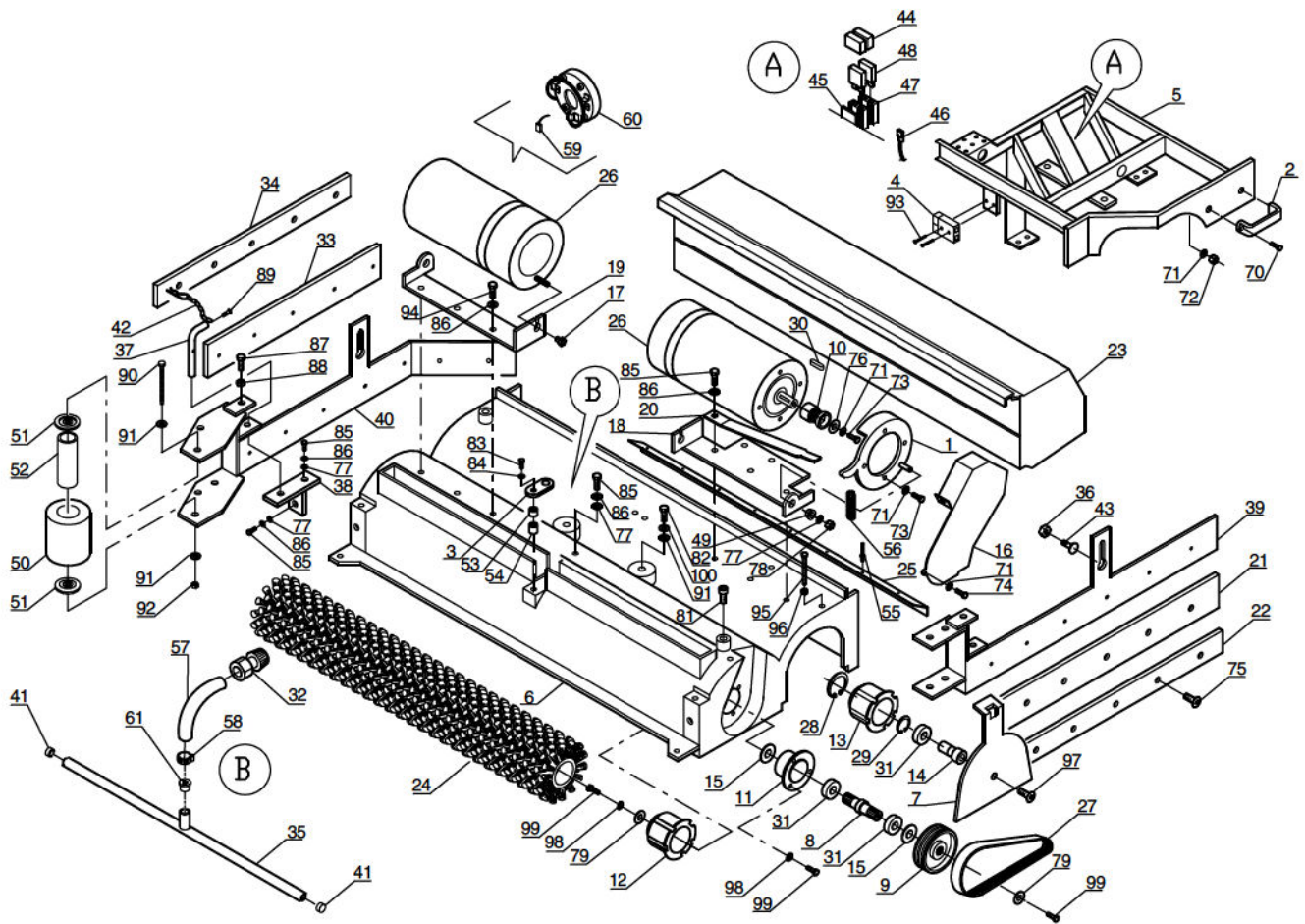
Cylindrical Brush Head 28



| Pos. | No. | Description | Bezeichnung | Désignation | Betegnelse | Comment Bemerkung Remarque Bemærkning | 26 | 28 | 30 |
|------|-----|------------------------------|---------------------|-------------------|----------------|--|----|----|----|
| | | | | | | | | | |
| B | 47 | 51581A Fuse Holder | Sicherungshalter | Porte-fusible | Sikringsholder | | | 2 | |
| B | 48 | 51582A Fuse, 40A | Sicherung | Fusible | Sikring | | | 2 | |
| | 49 | 51583A Bushing | Buchse | Bague | Bøsning | | | 2 | |
| | 50 | 51584A Wheel | Rad | Roue | Hjul | | | 3 | |
| | 51 | 51585A Special Washer | Scheibe | Rondelle | Skive, speciel | | | 6 | |
| | 52 | 51586A Pipe | Rohr | Tube | Rør | | | 3 | |
| | 53 | 51587A Spacer | Distanzhülse | Entretoise | Afstandsstykke | | | 1 | |
| | 54 | 51588A Spacer | Distanzhülse | Entretoise | Afstandsstykke | | | 1 | |
| | 55 | 15792 Rivet | Niet | Rivet | Nitte | | | 9 | |
| | 56 | 62885 Spring | Druckfeder | Ressort | Fjeder | | | 2 | |
| | 57 | 51591A Hose | Schlauch | Tuyau | Slange | | | 1 | |
| | 58 | 1810191 Clamp | Schlauchschelle | Collier | Spændebånd | | | 1 | |
| B | 59 | 51593A Carbon Brush f. Motor | Kohlebürste | Carbon | Kul f. motor | | | | |
| B | 60 | 51594A Carbon Brush Holder | Kohlbürstehalterung | Porte-charbon | Kulholder | | | | |
| | 61 | 51595A Bushing | Buchse | Bague | Bøsning | | | 1 | |
| | 70 | 1814629 Screw, M6x20 | Schraube | Vis | Bolt | | | | |
| | 71 | 1802875 Lock washer, Ø 6 | Haltescheibe | Disque de blocage | Låseskive | | | | |
| | 72 | 33158 Lock nut, M6 | Gegenmutter | Contre écrou | Låsemøtrik | | | | |
| | 73 | 1813690 Screw, M6 x 16 | Schraube | Vis | Bolt | | | | |
| | 74 | 19647 Screw, M6x10 | Schraube | Vis | Bolt | | | | |
| | 75 | 1802446 Screw, M5x16 | Schraube | Vis | Bolt | | | | |
| | 76 | 1800317 Washer, Ø 6x18 | Scheibe | Rondelle | Skive | | | | |
| | 77 | 14648 Washer, Ø 8x17 | Scheibe | Rondelle | Skive | | | | |
| | 78 | 1809920 Lock nut, M8 | Gegenmutter | Contre écrou | Låsemøtrik | | | | |

598 52 90 - ALTO - ENCORE RC - Feb. 2004

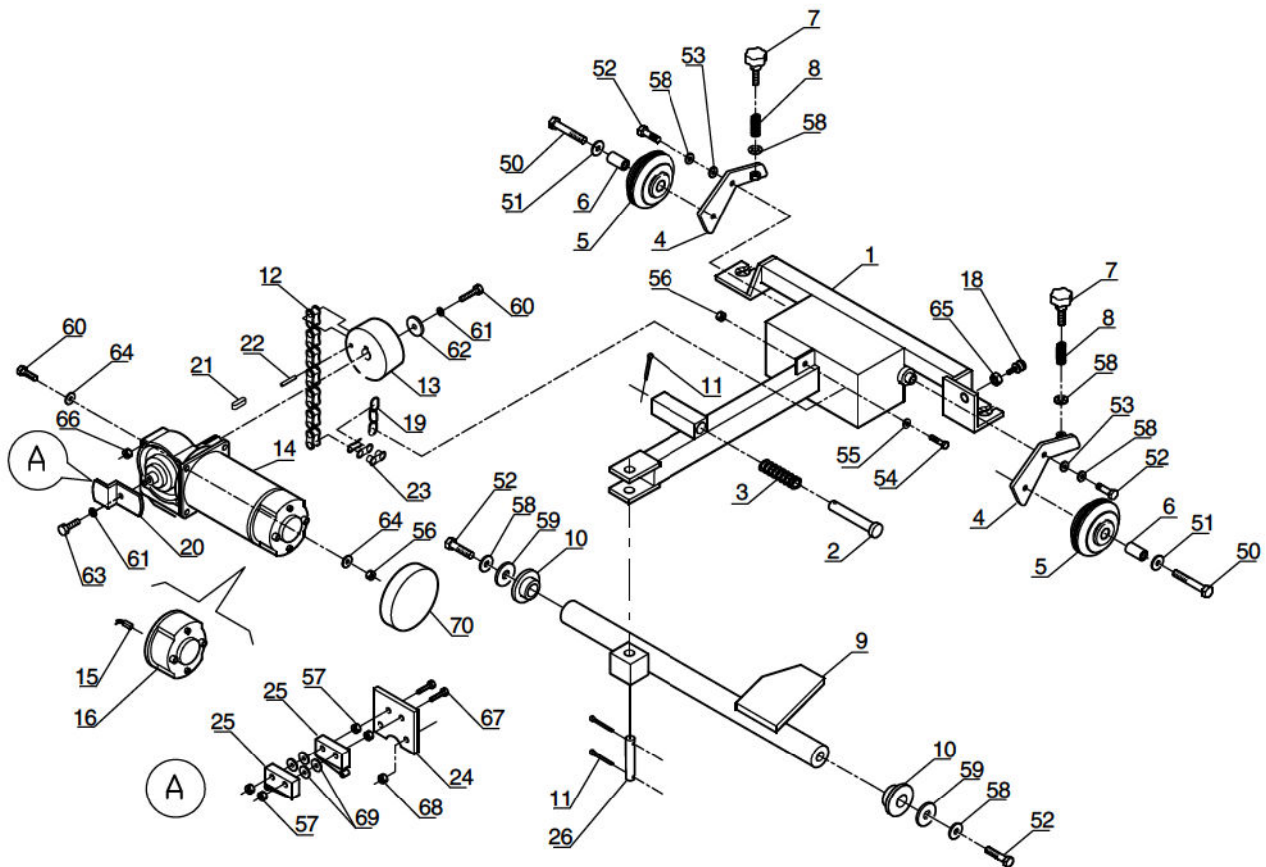
Cylindrical Brush Head 28



| Pos. | No. | Description | Bezeichnung | Désignation | Betegnelse | Comment Bemerkung Remarque Bemærkning | 26 | 28 | 30 |
|------|---------|-------------------|--------------|-------------------|------------|--|----|----|----|
| 79 | 25535 | Washer, Ø 6x24 | Scheibe | Rondelle | Skive | | | | |
| 81 | 1814632 | Screw, M8x18 | Schraube | Vis | Bolt | | | | |
| 82 | 32964 | Screw | Schraube | Vis | Bolt | | | | |
| 83 | 34219 | Screw, M5x25 | Schraube | Vis | Bolt | | | | |
| 84 | 1807825 | Lock Washer, Ø 5 | Haltescheibe | Disque de blocage | Låseskive | | | | |
| 85 | 31411 | Screw, M8X20 | Schraube | Vis | Bolt | | | | |
| 86 | 14649 | Lock Washer, Ø 8 | Haltescheibe | Disque de blocage | Låseskive | | | | |
| 87 | 51154 | Screw, M8x30 | Schraube | Vis | Bolt | | | | |
| 88 | 1809920 | Nut, M8 | Mutter | Ecrou | Møtrik | | | | |
| 89 | 1805860 | Screw, M4x12 | Schraube | Vis | Bolt | | | | |
| 90 | 8930 | Screw, M10x120 | Schraube | Vis | Bolt | | | | |
| 91 | 1800440 | Washer, 10x21 | Scheibe | Rondelle | Skive | | | | |
| 92 | 1801257 | Lock Nut, M10 | Gegenmutter | Contre écrou | Låsemøtrik | | | | |
| 93 | 1813930 | Screw, M3X16 | Schraube | Vis | Bolt | | | | |
| 94 | 19810 | Screw, M8x16 | Schraube | Vis | Bolt | | | | |
| 95 | 1801737 | Screw, M6x60 | Schraube | Vis | Bolt | | | | |
| 96 | 17848 | Nut, M6 | Mutter | Ecrou | Møtrik | | | | |
| 97 | 9539 | Screw, M10x16 | Schraube | Vis | Bolt | | | | |
| 98 | 1802875 | Lock Washer, Ø 6 | Haltescheibe | Disque de blocage | Låseskive | | | | |
| 99 | 25534 | Screw, M6x12 | Schraube | Vis | Bolt | | | | |
| 100 | 1800309 | Lock Washer, Ø 10 | Haltescheibe | Disque de blocage | Låseskive | | | | |

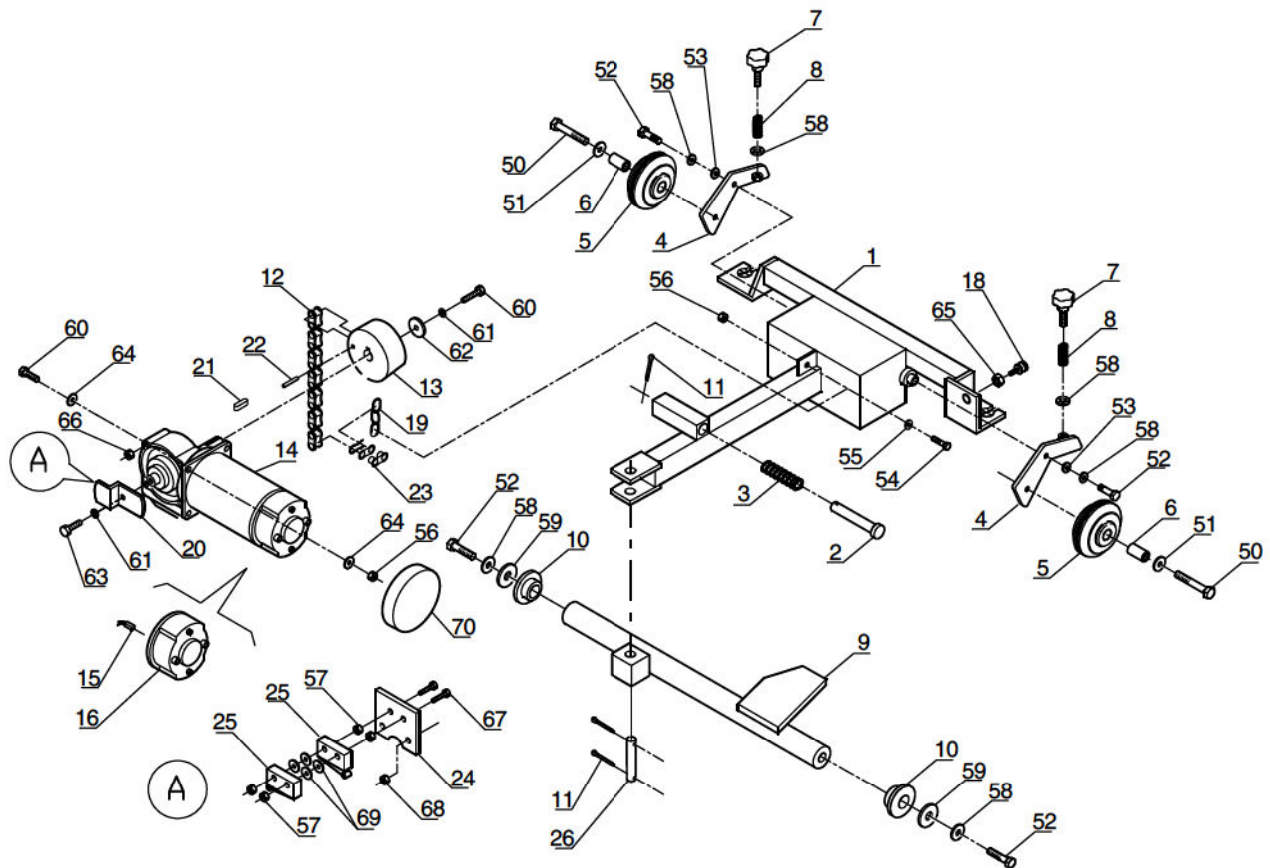
598 52 90 - ALTO - ENCORE RC - Feb. 2004

⊠ ATTENTION! - Lengths in metres - Please indicate required length when ordering! / ⊠ ACHTUNG! - Meterware - Bitte bei Bestellung gewünschte Länge angeben!
 ⊠ ATTENTION! - Longueurs par mètre - Précisez la longueur à la commande! / ⊠ BEMÆRKNING! - Meterware - Ved bestilling angiv ønsket længde!



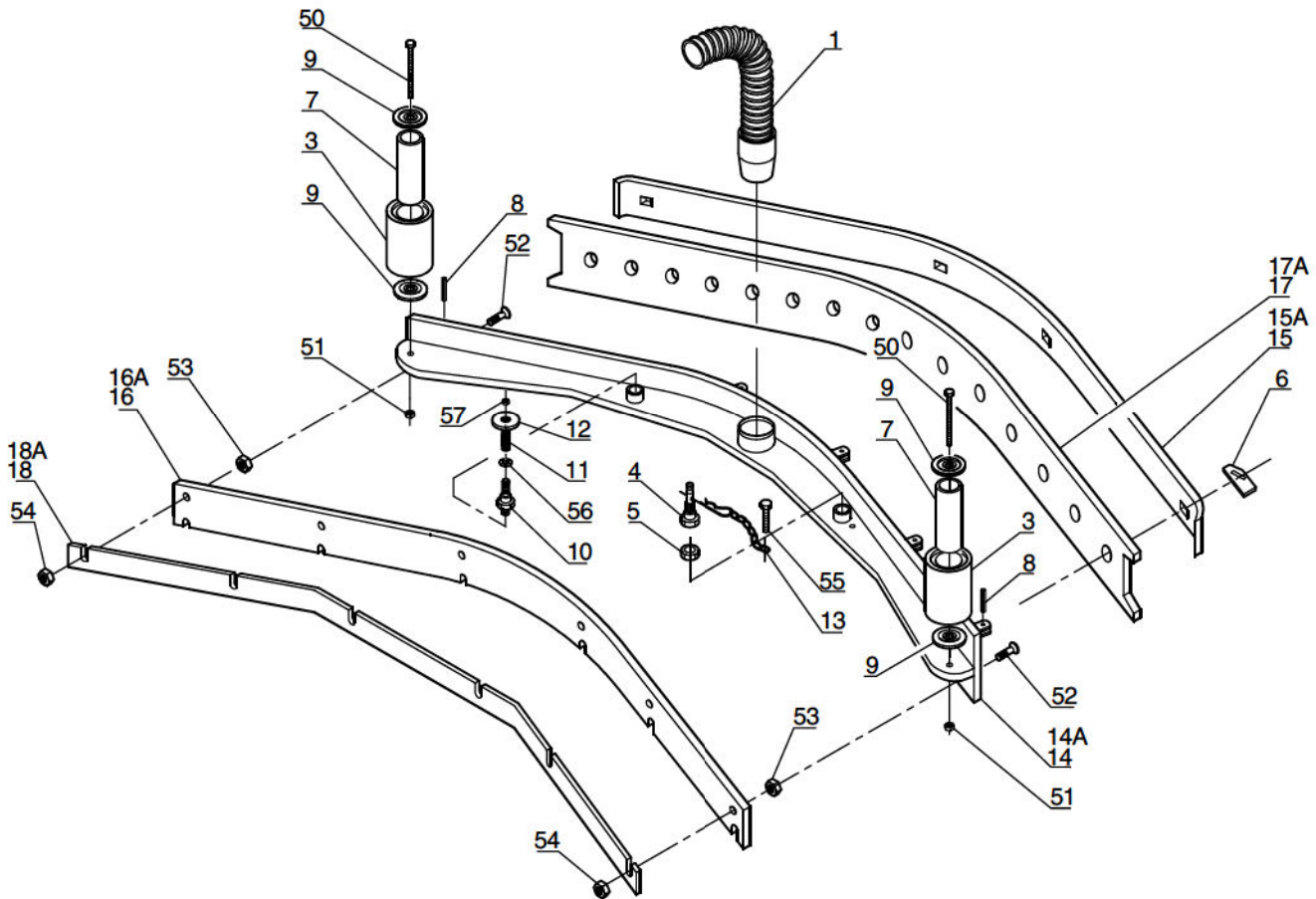
| Pos. | No. | Description | Bezeichnung | Désignation | Betegnelse | Comment Bemerkung Remarque Bemærkning | 26 | 28 | 30 |
|------|---------|--------------------------|----------------------------|------------------------------|----------------------------|--|----|----|----|
| 1 | 52197A | Arm | Arm | Bras | Arm | | 1 | 1 | 1 |
| 2 | 52198A | Pin | Bolzen | Axe | Bolt | | 1 | 1 | 1 |
| 3 | 52199A | Spring | Feder | Ressort | Fjeder | | 1 | 1 | 1 |
| 4 | 52220A | Wheel Support | Radhalter | Attaque | Hjulholder | | 2 | 2 | 2 |
| C | 5 | 51322A | Wheel, Squeegee | Roue | Hjul, sugefod | | 2 | 2 | 2 |
| 6 | 52221A | Bushing | Buchse | Bague | Bøsning | | 2 | 2 | 2 |
| C | 7 | 52222A | Knob | Rendelschraube | Rommeau | Fingerskrue | 2 | 2 | 2 |
| C | 8 | 62787 | Spring | Feder | Ressort | Fjeder | 2 | 2 | 2 |
| 9 | 52224A | Shaft | Lenkwelle | Arbre | Aksel | | 1 | 1 | 1 |
| 10 | 52225A | Bushing | Buchse | Bague | Bøsning | | 2 | 2 | 2 |
| 11 | 31612 | Split Pin | Spannstift | Goupille | Spændstift | | 3 | 3 | 3 |
| 12 | 52227A | Chain | Kette | Chaîne | Kæde | | 1 | 1 | 1 |
| 13 | 52228A | Roller | Hebel | Levier | Rulle | | 1 | 1 | 1 |
| B | 14 | 52229A | Gearred Motor | Getriebemotor | Moto-reducteur | Gearmotor | 1 | 1 | 1 |
| B | 15 | 40228A | Carbon Brush f. Motor | Kohlebürste | Carbon | Kul f. gearmotor | 2 | 2 | 2 |
| B | 16 | 52230A | Carbon Brush Holder | Halterung | Support | Kulholder | 1 | 1 | 1 |
| 18 | 52231A | Squeegee Adjusting Screw | Justierschraube f. Wischer | Vis de réglage pour raclette | Justerskrue f. sugefod | | 1 | 1 | 1 |
| 19 | 52232A | Chain | Kette | Chaîne | Kæde | | 1 | 1 | 1 |
| 20 | 52233A | Actuator, Switch | Hebel | Levier | Aktuatorarm f. microswitch | | 1 | 1 | 1 |
| 21 | 7114188 | Key | Passfeder | Languelette | Feder | | 1 | 1 | 1 |
| 22 | 7114881 | Spring Pin | Spannstift | Fourchette | Stift | | 1 | 1 | 1 |
| 23 | 51680A | Joint Chain | Kettenschloss | Attache rapid chaîne | Kædesamleled | | 1 | 1 | 1 |
| 24 | 52237A | Support | Halterung | Support | Holder | | 1 | 1 | 1 |

598 52 90 - ALTO - ENCORE RC - Feb. 2004

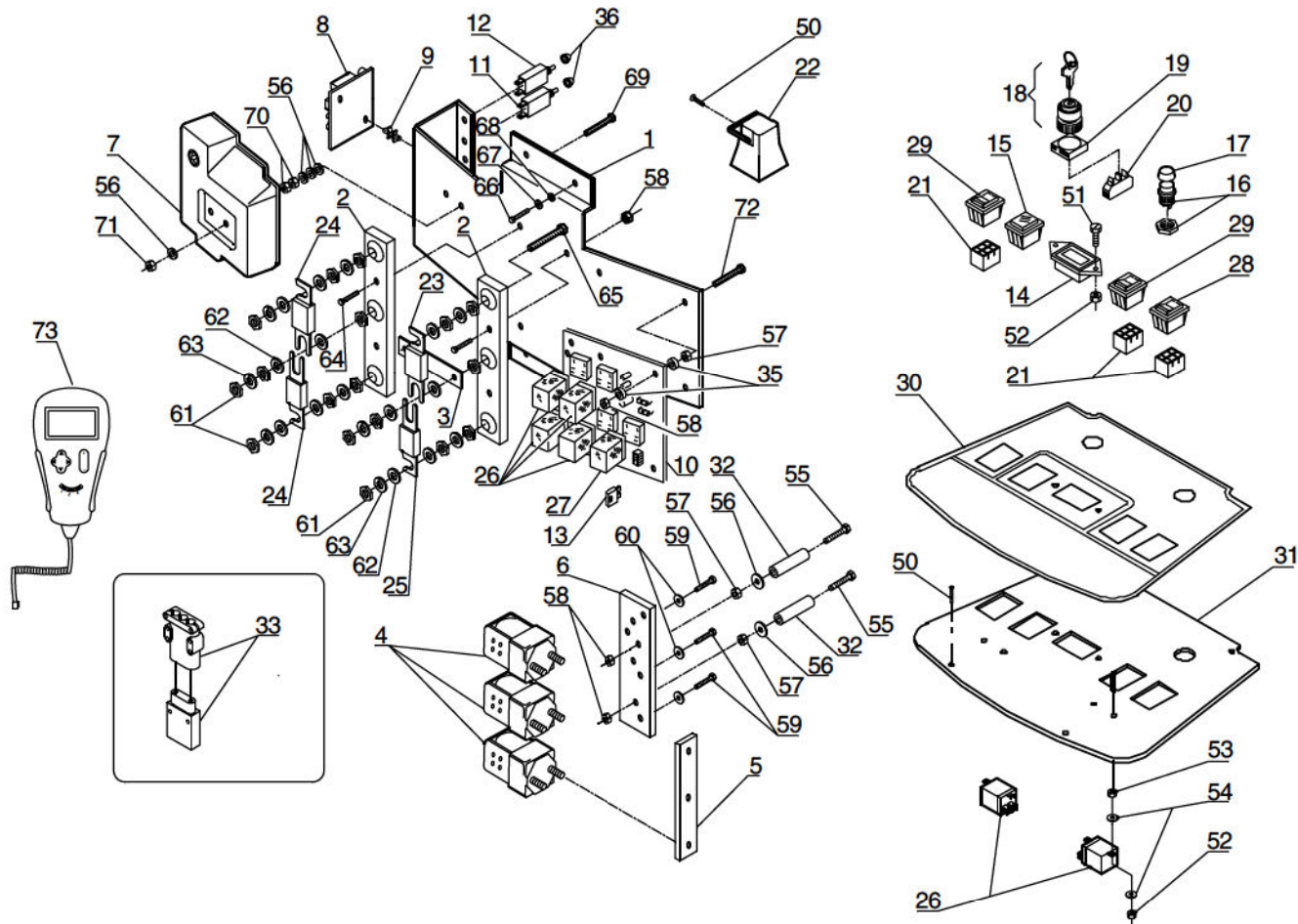


| Pos. | No. | Description | Bezeichnung | Désignation | Betegnelse | Comment Bemerkung Remarque Bemærkning | 26 | 28 | 30 | |
|------|-----|-------------|-----------------------|---------------|-------------------|--|----|----|----|---|
| C | 25 | 40231A | Microswitch | Mikroschalter | Microinterrupteur | Microswitch | | 2 | 2 | 2 |
| | 26 | 52238A | Pin | Bolzen | Axe | Bolt | | 1 | 1 | 1 |
| | 50 | 10201 | Screw, M10x60 | Schraube | Vis | Bolt | | | | |
| | 51 | 1800317 | Washer, Ø 10x21 | Scheibe | Rondelle | Skive | | | | |
| | 52 | 19810 | Screw, M8x16 | Schraube | Vis | Bolt | | | | |
| | 53 | 34939 | Washer, Ø 8x24 | Scheibe | Rondelle | Skive | | | | |
| | 54 | 17847 | Screw, M6x20 | Schraube | Vis | Bolt | | | | |
| | 55 | 1800440 | Washer, Ø 6x18 | Scheibe | Rondelle | Skive | | | | |
| | 56 | 33158 | Lock Nut, M6 | Gegenmutter | Contre écrou | Låsemøtrik | | | | |
| | 57 | 15319 | Nut, M4 | Mutter | Ecrou | Møtrik | | | | |
| | 58 | 14649 | Washer, Ø 8 | Scheibe | Rondelle | Skive | | | | |
| | 59 | 7114149 | Washer, Ø 8x32 | Scheibe | Rondelle | Skive | | | | |
| | 60 | 17847 | Screw, M6x20 | Schraube | Vis | Bolt | | | | |
| | 61 | 1802875 | Washer, Ø 6 | Scheibe | Rondelle | Skive | | | | |
| | 62 | 25535 | Washer, Ø 6x24 | Scheibe | Rondelle | Skive | | | | |
| | 63 | 1813690 | Screw, M6x16 | Schraube | Vis | Bolt | | | | |
| | 64 | 1803378 | Washer, Ø 6x12 | Scheibe | Rondelle | Skive | | | | |
| | 65 | 1801257 | Nut, M10 | Mutter | Ecrou | Møtrik | | | | |
| | 66 | 18696 | Nut, M5 | Mutter | Ecrou | Møtrik | | | | |
| | 67 | 11834 | Screw, M4x50 | Schraube | Vis | Bolt | | | | |
| | 68 | 1801885 | Lock Nut, M5 | Gegenmutter | Contre écrou | Låsemøtrik | | | | |
| | 69 | 15498 | Washer, Ø 5x10 | Scheibe | Rondelle | Skive | | | | |
| C | 70 | 52474A | Cover, Squeegee Motor | Deckel | Couvercle | Dæksel, sugefodsmotor | | | | |

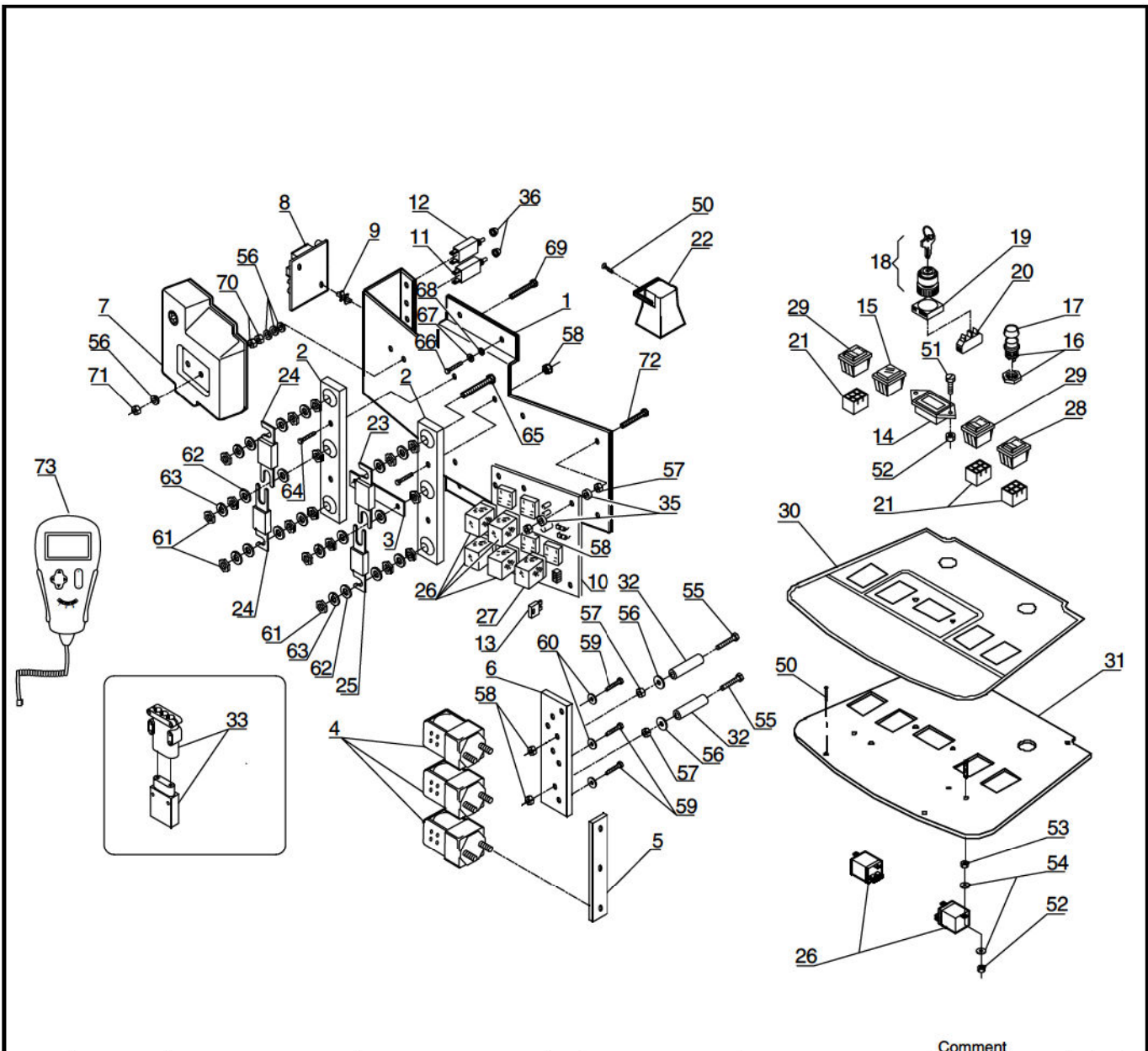
Squeegee 26/28/30



| Pos. | No. | Description | Bezeichnung | Désignation | Betegnelse | Comment Bemerkung Remarque Bemærkning | 26 | 28 | 30 |
|------|-----|-------------|--------------------------|---------------------|-------------------|--|----|----|----|
| | | | | | | | | | |
| B | 1 | 51738A | Hose | Saugschlauch | Tuyau | Slange | 1 | 1 | 1 |
| | 3 | 51584A | Wheel | Rad | Roue | Hjul | 2 | 2 | 2 |
| C | 4 | 51740A | Stud | Gewindebolzen | Ecrou special | Stagbolt | 1 | 1 | 1 |
| | 5 | 51741A | Special Nut | Mutter | Ecrou | Møtrik, speciel | 1 | 1 | 1 |
| | 6 | 51742A | Locking Tap | Befestigungsauflage | Plaquette | Låsetap | 4 | 4 | 4 |
| | 7 | 51586A | Pipe | Rohr | Tuyau | Rør | 2 | 2 | 2 |
| | 8 | 7114880 | Spring Pin | Spannstift | Fourchette | Spændstift | 4 | 4 | 4 |
| | 9 | 51585A | Special Washer | Scheibe | Rondelle | Skive, speciel | 4 | 4 | 4 |
| C | 10 | 51746A | Stud | Gewindebolzen | Ecrou special | Stagbolt | 1 | 1 | 1 |
| | 11 | 51747A | Spring | Feder | Ressort | Fjeder | 1 | 1 | 1 |
| | 12 | 51748A | Adjusting Nut | Rändelmutter | Ecrou de reglage | Justermøtrik | 1 | 1 | 1 |
| A | 13 | 51749A | Chain with Pin | Kette mit Splint | Chaîne | Kæde m. låsestift | 1 | 1 | 1 |
| | 14 | 51750A | 33" Squeegee Body | Saugfusskörper | Corps de suceur | Stel, sugefod | 1 | 1 | 1 |
| | 14A | 51751A | 40" Squeegee Body | Saugfusskörper | Corps de suceur | Stel, sugefod | | | 1 |
| | 15 | 51752A | 33" Rear Clamping Plate | Leiste, hinterer | Plaquette,arrière | Opspændingsplade, bag | 1 | | |
| | 15A | 51753A | 40" Rear Clamping Plate | Leiste, hinterer | Plaquette,arrière | Opspændingsplade, bag | | 1 | 1 |
| A | 16 | 51289A | 33" Front Squeegee Blade | Vorderer Sauglippen | Bavette avant | Sugefodsgummi, front | 1 | | |
| A | 16A | 51306A | 40" Front Squeegee Blade | Vorderer Sauglippen | Bavette avant | Sugefodsgummi, front | | 1 | 1 |
| A | 17 | 51290A | 33" Rear Squeegee Blade | Hinterer Sauglippen | Bavette arrière | Sugefodsgummi, bag | 1 | | |
| A | 17A | 51307A | 40" Rear Squeegee Blade | Hinterer Sauglippen | Bavette arrière | Sugefodsgummi, bag | | | 1 |
| | 18 | 51754A | 33" Front Clamping Plate | Leiste, vorderer | Plaquette,avant | Opspændingsplade, front | 1 | | |
| | 18A | 51755A | 40" Front Clamping Plate | Leiste, vorderer | Plaquette,avant | Opspændingsplade, front | | 1 | 1 |
| | 50 | 8930 | Screw, M10x110 | Schraube | Vis | Bolt | | | |
| | 51 | 1801257 | Lock Nut, M10 | Gegenmutter | Contre écrou | Låsemøtrik | | | |
| | 52 | 24311 | Screw, M6x25 | Schraube | Vis | Bolt | | | |
| | 53 | 17848 | Nut, M6 | Mutter | Ecrou | Møtrik | | | |
| | 54 | 33158 | Lock Nut, M6 | Gegenmutter | Contre écrou | Låsemøtrik | | | |
| | 55 | 5189 | Screw, M5x10 | Schraube | Vis | Bolt | | | |
| | 56 | 34939 | Washer, Ø 8x24 | Scheibe | Rondelle | Skive | | | |
| | 57 | 1809920 | Lock Nut, M8 | Gegenmutter | Contre écrou | Låsemøtrik | | | |
| - | | 51288A | 33" Squeegee compl. | Saugfuss, kompl. | Suceur, compl. | Sugefod, kompl. | 1 | | |
| - | | 51305A | 40" Squeegee compl. | Saugfuss, kompl. | Suceur, compl. | Sugefod, kompl. | | 1 | 1 |

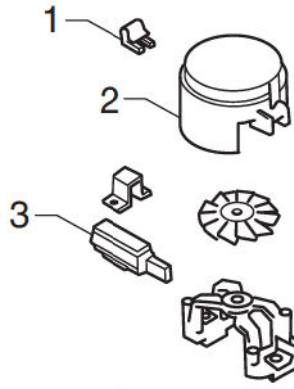


| Pos. | No. | Description | Bezeichnung | Désignation | Betegnelse | Comment Bemerkung Remarque Bemærkning | 26 | 28 | 30 |
|------|-----------|----------------|-----------------------|------------------------|----------------------------|--|----|----|----|
| 1 | 107115819 | Panel | Blech | Panneau | Panel | | 1 | 1 | 1 |
| 2 | 51698A | Fuse holder | Sicherungshalter | Forte-fusible | Sikringsholder | | 2 | 2 | 2 |
| 3 | 51699A | Bridge | Verbindungsbrücke | Pontage | Forbindelsesbro | | 1 | 1 | 1 |
| C | 4 | 40224A | Contacteur | Contacteur | Kontaktor | | 3 | 3 | 3 |
| 5 | 51721A | Bridge | Verbindungsbrücke | Pontage | Forbindelsesbro | | 1 | 1 | 1 |
| 6 | 51722A | Support | Halterung | Attaque | Holder | | 1 | 1 | 1 |
| C | 7 | 40219A | Motor Controller | Variateur électronique | Motor kontrollor | | 1 | 1 | 1 |
| C | 8 | 40220A | Battery Card | Plaque contr. comm. | Batteri kontrollor | | 1 | 1 | 1 |
| 9 | 51723A | Coupler | Schnellverschluss | Accrochage | Kobling | | 2 | 2 | 2 |
| C | 10 | 40221A | Circuit board | Print | Circuit imprimé | | 1 | 1 | 1 |
| B | 11 | 40235A | Circuit Breaker, 8A | Sicherheitschalter | Interrupteur de protection | | 3 | 3 | 3 |
| B | 12 | 40236A | Circuit Breaker, 3.5A | Sicherheitschalter | Interrupteur de protection | | 3 | 3 | 3 |
| B | 13 | 40241A | Fuse | Sicherung | Fusible | | 3 | 3 | 3 |
| C | 14 | 51724A | Hour Meter | Stundenzähler | Compteur heures | | 1 | 1 | 1 |
| C | 15 | 40240A | Battery Meter | Batteriesignal | Témoin de batteries | | 1 | 1 | 1 |
| C | 16 | 51725A | Switch | Schalter | Interrupteur | | 1 | 1 | 1 |
| 17 | 51726A | Protection Cap | Sicherheitkappe | Calotte de protection | Beskyttelseskappe | | 1 | 1 | 1 |
| C | 18 | 40238A | Switch, Key | Schalter, Schlüssel | Interrupteur, clé | | 1 | 1 | 1 |
| C | 18A | 80151A | Key | Schlüssel | Clé | | 1 | 1 | 1 |
| 19 | 40239A | Flange | Flansch | Flasque | Flange | | 1 | 1 | 1 |
| C | 20 | 40237A | Contact | Kontakt | Contact | | 1 | 1 | 1 |
| C | 21 | 51727A | Polarized Base | Polarisierter Sockel | Polarisée soubassement | | 3 | 3 | 3 |
| C | 22 | 51728A | Buzzer | Summer | Ronfleur | | 1 | 1 | 1 |
| B | 23 | 40242A | Fuse, 35A | Sicherung | Fusible | | 1 | 1 | 1 |
| B | 24 | 40243A | Fuse, 80A | Sicherung | Fusible | | 2 | 2 | 2 |
| B | 25 | 40244A | Fuse, 160A | Sicherung | Fusible | | 1 | 1 | 1 |
| C | 26 | 40223A | Relay, 24V 20A | Relais | Relais | | 6 | 6 | 6 |
| C | 27 | 40222A | Relay, 24V 30A | Relais | Relais | | 1 | 1 | 1 |
| C | 28 | 51729A | Switch, Momentary | Schalter | Interrupteur | | 1 | 1 | 1 |
| C | 29 | 51730A | Rocker Switch | Kippschalter | Contact à culbuteur | | 2 | 2 | 2 |
| 30 | 107115820 | Decal | Schild | Etiquette | Skilt | | 1 | 1 | 1 |
| 31 | 107115821 | Control Panel | Armaturenbrett | Tableau de commande | Instrumentpanel | | 1 | 1 | 1 |



| Pos. | No. | Description | Bezeichnung | Désignation | Betegnelse | Comment | | | |
|------|-----------|-----------------------|------------------|-----------------------|-------------------|-------------------------------------|----|----|----|
| | | | | | | Bemerkung Remarque Bemærkning | 26 | 28 | 30 |
| 32 | 51733A | Bushing | Buchse | Bague | Bøsning | | 2 | 2 | 2 |
| 33 | 7116083 | Connector, 80A | Stecker | Connecteur | Connector | | 1 | 1 | 1 |
| 35 | 51736A | Washer, Ø 4x8x3 Nylon | Scheibe | Rondelle | Skive | | 8 | 8 | 8 |
| 36 | 51737A | Protection Cap | Sicherheitkappe | Calotte de protection | Beskyttelseskappe | | 6 | 6 | 6 |
| 50 | 1800804 | Screw, Ø 4,2x16 | Schraube | Vis | Bolt | | | | |
| 51 | 1813930 | Screw, M3x16 | Schraube | Vis | Bolt | | | | |
| 52 | 28992 | Lock Nut, M3 | Gegenmutter | Contre écrou | Låsemøtrik | | | | |
| 53 | 1800168 | Nut, M3 | Mutter | Ecrou | Møtrik | | | | |
| 54 | 53628 | Washer, Ø 4x8 | Scheibe | Rondelle | Skive | | | | |
| 55 | 11834 | Screw, M4x50 | Schraube | Vis | Bolt | | | | |
| 56 | 15498 | Washer, Ø 5x10 | Scheibe | Rondelle | Skive | | | | |
| 57 | 15319 | Nut, M4 | Mutter | Ecrou | Møtrik | | | | |
| 58 | 50433 | Lock Nut, M4 | Gegenmutter | Contre écrou | Låsemøtrik | | | | |
| 59 | 1800391 | Screw | Schraube | Vis | Bolt | | | | |
| 60 | 1802982 | Lock Washer, M4x6 | Haltescheibe | Disque de blocage | Låseskive | | | | |
| 61 | 1801257 | Nut, M10 | Mutter | Ecrou | Møtrik | | | | |
| 62 | 1800317 | Washer, Ø 10 | Scheibe | Rondelle | Skive | | | | |
| 63 | 1800309 | Lock Washer, Ø 10 | Haltescheibe | Disque de blocage | Låseskive | | | | |
| 64 | 5185 | Screw, M4x20 | Schraube | Vis | Bolt | | | | |
| 65 | 50932 | Screw, M10x40 | Schraube | Vis | Bolt | | | | |
| 66 | 17847 | Screw, M6x20 | Schraube | Vis | Bolt | | | | |
| 67 | 1800903 | Lock Washer, Ø 6 | Haltescheibe | Disque de blocage | Låseskive | | | | |
| 68 | 1800440 | Washer, Ø 6x12 | Scheibe | Rondelle | Skive | | | | |
| 69 | 1806389 | Screw, M5x30 | Schraube | Vis | Bolt | | | | |
| 70 | 1801885 | Nut, M5 | Mutter | Ecrou | Møtrik | | | | |
| 71 | 1804285 | Lock Nut, M5 | Gegenmutter | Contre écrou | Låsemøtrik | | | | |
| 72 | 1805217 | Screw, M4x20 | Schraube | Vis | Bolt | | | | |
| 73 | 101106060 | Programmer | Programmschalter | Programmateur | Programvælger | | | | |

Vac Motor



| Pos. | No. | Description | Bezeichnung | Désignation | Betegnelse | Comment Bemerkung Remarque Bemærkning | 26 | 28 | 30 |
|------|-----|-------------|-----------------|-------------|------------|--|----|----|----|
| | | | | | | | | | |
| B | 1 | 51913A | Clip (optional) | Klemme | Pince | Clips | 2 | 2 | 2 |
| C | 2 | 54809A | Housing | Gehäuse | Carter | Hus | 1 | 1 | 1 |
| B | 3 | 40830A | Carbon Brushes | Kohlebürste | Charbon | Motorkul | 2 | 2 | 2 |

Accessories / Zubehör / Accessoires / Tilbehør

| No. | Description | Bezeichnung | Désignation | Betegnelse |
|--------|--------------------|---------------------|-----------------------|---------------------|
| 14607A | Care Kit | Pflegensatz | Kit d'entretien | Plejesæt |
| 50478A | Polydur Protectant | Polydur Schutz | Protecteur en Polydur | Polydur beskyttelse |
| 55420A | Kit, Grease Gun | Schmierpresse, Satz | Pistolet graisseur | Fedtsprøjte, sæt |

Brush Head Units and Pad / Brush Components Bürstenkopf und Pad / Bürstenkomponente Ensembles têtes de brosses et pièces pour tampons/brosses Børstehoved og pude / Børstekomponenter

| No. | Description | Bezeichnung | Désignation | Betegnelse |
|-------------|-------------------------|-------------------------------|-----------------------------|------------------------------|
| A 107114056 | 26" Brush Head Unit | 26" Bürstenkopf (rotierend) | Ensemble tête de brosse 26" | 26" Børstehoved (roterende) |
| A 51283A | 13" Pad Driver | 13" Polsterführer | Porte-disque 13" | 13" Pudefører |
| A 51284A | 13" Soft Poly. Brush | 13" Weiche Poly.bürste | Brosse poly. souple 13" | 13" Blød poly. børste |
| A 51286A | 13" Medium Poly. Brush | 13" Mittlere Poly.bürste | Brosse poly. moyenne 13" | 13" Medium poly. børste |
| A 51285A | 13" Heavy Poly. Brush | 13" Kräftige Poly.bürste | Brosse poly. dure 13" | 13" Kräftig poly. børste |
| A 51287A | 13" Super Grit Brush | 13" Supergrobe Bürste | Brosse super abrasive 13" | 13" Super grov børste |
| No. | Description | Bezeichnung | Désignation | Betegnelse |
| A 107114057 | 30" Brush Head Unit | 30" Bürstenkopf (rotierend) | Ensemble tête de brosse 30" | 30" Børstehoved (roterende) |
| A 51300A | 15" Pad Driver | 15" Polsterführer | Porte-disque 15" | 15" Pudefører |
| A 51301A | 15" Soft Poly. Brush | 15" Weiche Poly.bürste | Brosse poly. souple 15" | 15" Blød poly. børste |
| A 51303A | 15" Medium Poly. Brush | 15" Mittlere Poly.bürste | Brosse poly. moyenne 15" | 15" Medium poly. børste |
| A 51302A | 15" Heavy Poly. Brush | 15" Kräftige Poly.bürste | Brosse poly. dure 15" | 15" Kräftig poly. børste |
| A 51304A | 15" Super Grit Brush | 15" Supergrobe Bürste | Brosse super abrasive 15" | 15" Super grov børste |
| No. | Description | Bezeichnung | Désignation | Betegnelse |
| 107114055 | 28" Brush Head Unit | 28" Bürstenkopf (zylindrisch) | Ensemble tête de brosse | 28" Børstehoved (cylindrisk) |
| 51295A | 28" Polypropylene Brush | 28" Polypropylenbürste (zyl.) | Brosse polypropylène 28" | 28" Polypropylen børste |
| 303000164 | 28" Tynex 1,2mm "hard" | 28" Tynex 1,2mm "hart" | 28" Tynex 1,2mm "dur" | 28" Tynex 1,2mm "hård" |

Squeegee & Blades Saugfuß, komplett und Saugfußlippen Ensembles racleurs et lames de racleurs Sugefod komplet og sugefodsblad

| No. | Description | Bezeichnung | Désignation | Betegnelse |
|----------|-----------------------|-----------------------|----------------------------|-----------------------|
| A 51288A | 33" Squeegee Complete | 33" Saugfuß, komplett | Ensemble racleur comp. 33" | 33" Sugefod, kompl. |
| A 51289A | Front Squeegee Blade | Vordere Saugfußlippen | Lame de racleur avant | Forreste sugefodsblad |
| A 51290A | Rear Squeegee Blade | Hintere Saugfußlippen | Lame de racleur arrière | Bageste sugefodsblad |
| No. | Description | Bezeichnung | Désignation | Betegnelse |
| A 51305A | 40" Squeegee Complete | 40" Saugfuß, komplett | Ensemble racleur comp. 40" | 40" Sugefod, kompl. |
| A 51306A | Front Squeegee Blade | Vordere Saugfußlippen | Lame de racleur avant | Forreste sugefodsblad |
| A 51307A | Rear Squeegee Blade | Hintere Saugfußlippen | Lame de racleur arrière | Bageste sugefodsblad |

Accessories / Zubehör / Accessoires / Tilbehør

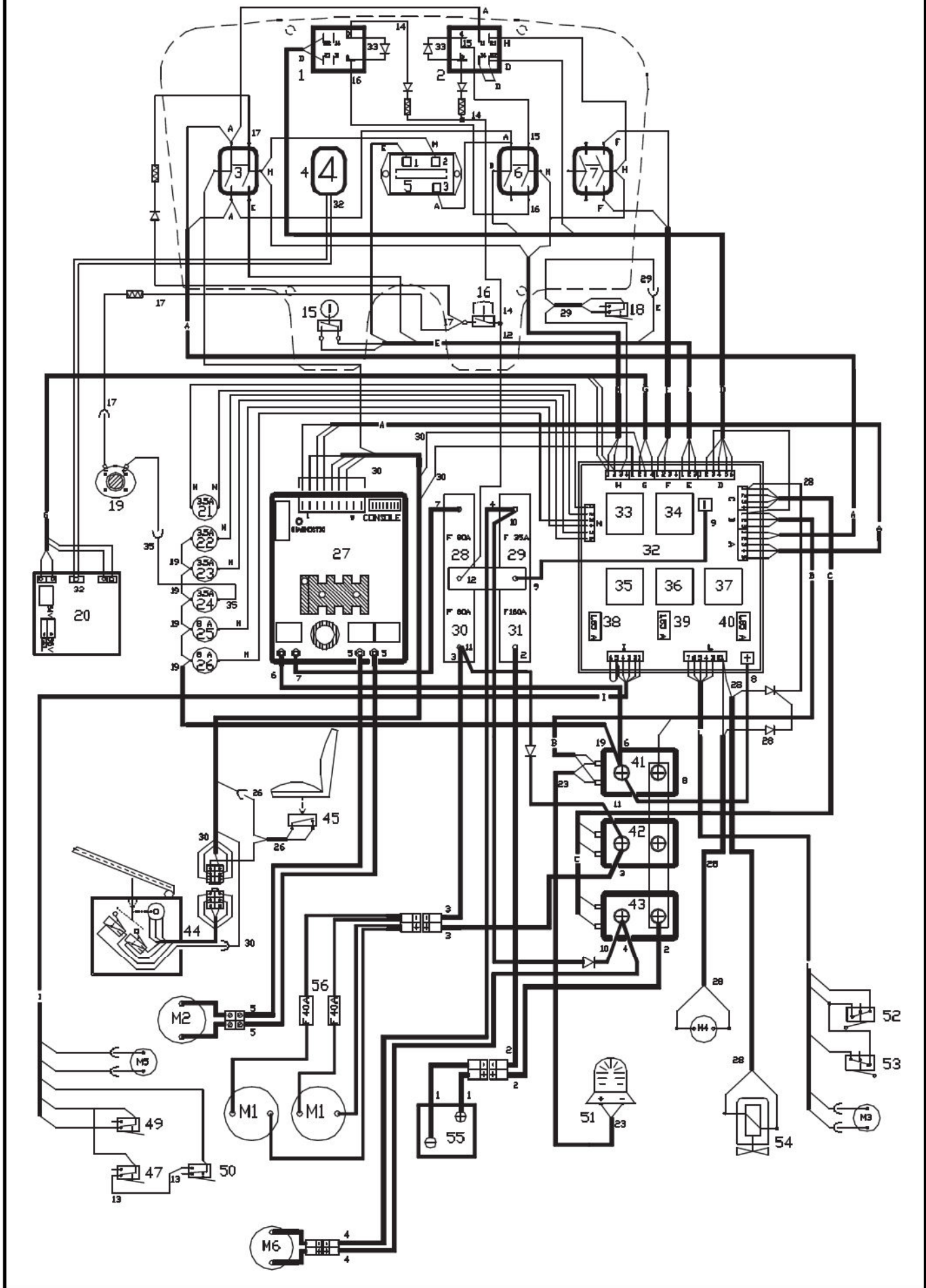
Batteries Batterie Batterie Batteri

| No. | Description | Bezeichnung | Désignation | Betegnelse |
|-----------|---|--------------------------------------|--|---|
| 7116127 | Battery 180Ah Maintenance free 6V | Batterie 180Ah Wartungsfreie 6V | Batterie 180Ah sans entretien 6V | Batteri 180Ah Vedligeholdelsesfri 6V |
| 303000165 | Battery 210Ah Semitraction 6V | Batterie 210Ah Semi-Traktions- 6V | Batterie 210 Ah de semi-traction 6V | Batteri 210Ah Semi traktion 6V |
| 303000166 | Battery 240Ah Semitraction in steel tray | Batterie 240Ah Semi-Traktions | Batterie 240Ah de semi-traction | Batteri 240Ah Semi traktion i stål bakke |

Pads Pad Tampons Pude

| No. | Description | Bezeichnung | Désignation | Betegnelse |
|----------|---------------|-----------------|-------------------|---------------|
| A 976031 | Pad 13" White | Pad 13" weiß | Tampons 13" blanc | Pude 13" hvid |
| A 976032 | Pad 13" Red | Pad 13" rot | Tampons 13" rouge | Pude 13" rød |
| A 976034 | Pad 13" Blue | Pad 13" blau | Tampons 13" bleu | Pude 13" blå |
| A 976035 | Pad 13" Brown | Pad13" braun | Tampons 13" brune | Pude 13" brun |
| A 976142 | Pad 13" Black | Pad 13" schwarz | Tampons 13" noir | Pude 13" sort |
| A 976042 | Pad 15" White | Pad 15" weiß | Tampons 15" blanc | Pude 15" hvid |
| A 976043 | Pad 15" Red | Pad 15" rot | Tampons 15" rouge | Pude 15" rød |
| A 976044 | Pad 15" Blue | Pad 15" blau | Tampons 15" bleu | Pude 15" blå |
| A 976045 | Pad 15" Brown | Pad 15" braun | Tampons 15" brune | Pude 15" brun |
| A 976150 | Pad 15" Black | Pad 15" schwarz | Tampons 15" noir | Pude 15" sort |

ENCORE RC 28'' Cylindric EI-Diagram



ENCORE RC 28"

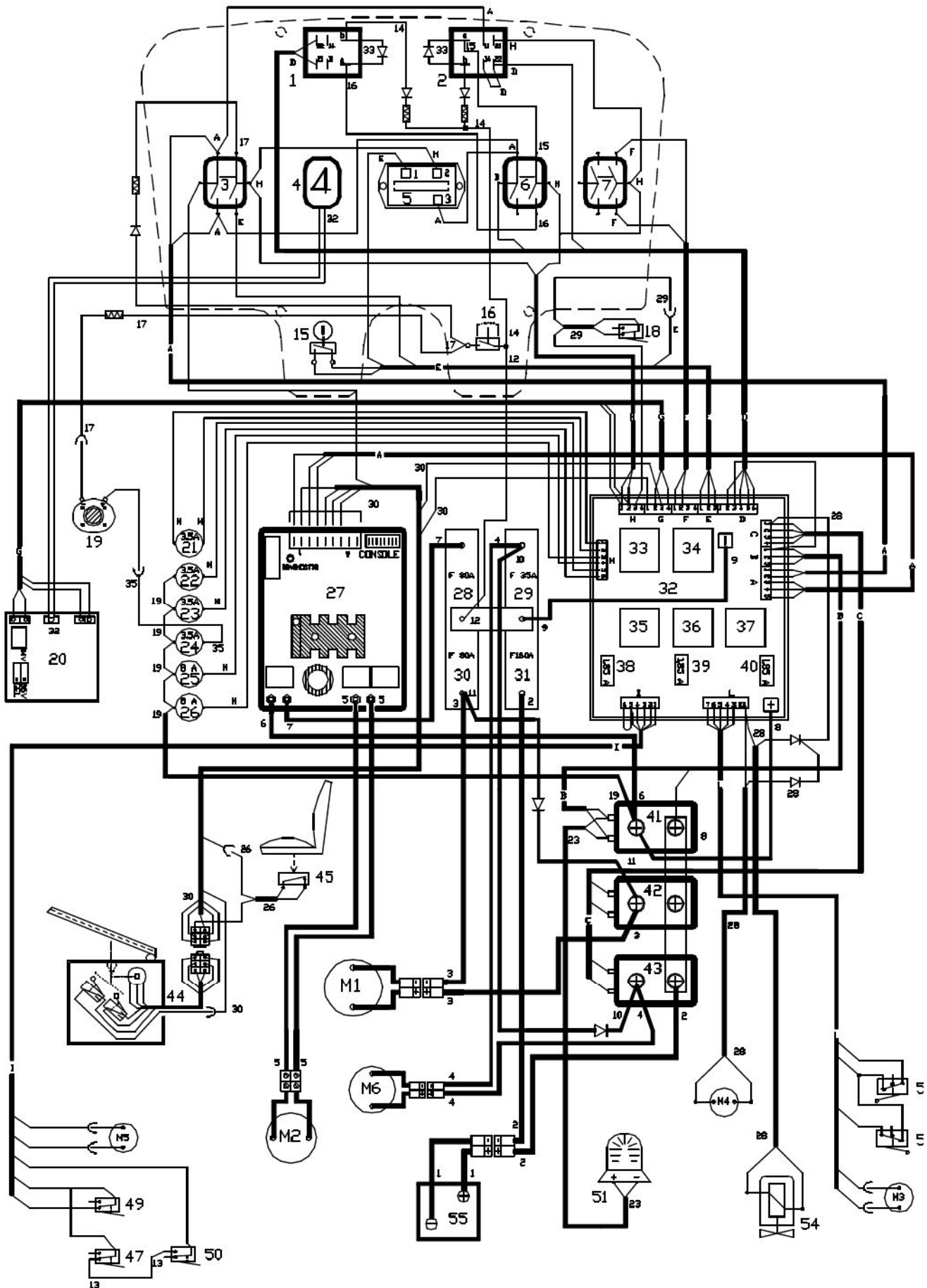
Cylindric El-Diagram

| COMPONENTS ELECTRICAL SYSTEM | COMPOSANTES SYSTEME ELECTRIQUE | TEILE ELEKTRISCHER ANLAGE | KOMPONENTER TIL ELEKTRISK SYSTEM |
|--|--|--|--|
| Description | Denomination | Benennung | Betegnelse |
| 1 RELAY - SUCTION MOTOR | RELAIS - MOTEUR D'ASPIRATION | RELAIS - SAUGMOTOR | RELE - SUGEMOTOR |
| 2 RELAY - AUTOMATIC/ SQUEEGEE UP | RELAIS - AUT/LEVEE SUCEUR | RELAIS - AUTOMATISCH/HEBUNG SAUGFUSS | RELE - AUTOMATISK SUGEFOD OP |
| 3 SWITCH - MOTION | SELECTEUR - MARCHE | SCHALTER - | KONTAKT FREMBAK |
| 4 DISPLAY | DISPLAY | DISPLAY | DISPLAY |
| 5 HOURMETER DIGITAL | COMPTEUR HORAIRE DIGITAL | BETRIEBSSTUNDENZÄHLER DIGITAL | TIMETÆLLER DIGITAL |
| 6 SWITCH - SQUEEGEE | SELECTEUR - SUCEUR | SCHALTER - SAUGFUSS | KONTAKT - SUGEFOD |
| 7 TEMPORARY SWITCH - BRUSHES CONTROLS | TEMPORAIRE SELECTEUR - | ZEITWEILIGER SCHALTER - | KONTAKT BÖRSTEKONTROL |
| 15 CONTACT ON/OFF GENERAL KEY | CONTACT CLEF ON/OFF | KONTAKT ON/OFF - GENERALSCHLÜSSEL | KONTAKT ON/OFF NØGLE |
| 16 PUSH BUTTON - HORN | POUSOIR KLAXON | DRÜCKKNÖPF - HUPE | TRYKKONTAKT HORN |
| 18 MICROSWITCH - WATER VALVE | MICRO INTERRUPTEUR - VALVE | MIKROSCHALTER - | MICRO SWITCH VANDVENTIL |
| 19 REVERSE MOTION BUZZER | RONFLEUR MARCHE ARRIERE | RÜCKWAERTSFAHRENS LÄRMER | BAK - ALARM |
| 20 BATTERY CHECK CARD | PLAQUE CONTROLE DE BATTERIES | KONTROLLELEMENT BATTERIEN | PRINT KORT BATTERIKONTROL |
| 21 FLAT CIRCUIT BREAKER 3,5 - GENERAL | DISJONCTEUR PLAT 3,5A - GENERAL | FLACHER SCHALTER 3,5A - GENERAL | SIKRING 3,5A - GENERAL |
| 22 FLAT CIRCUIT BREAKER 3,5A - TRACTION | DISJONCTEUR PLAT 3,5A - TRACTION | FLACHER SCHALTER 3,5A - ANTRIEB | SIKRING 3,5A - TRACTION |
| 23 FLAT CIRCUIT BREAKER 3,5A - WATER | DISJONCTEUR PLAT 3,5A - EAU | FLACHER SCHALTER 3,5A - WASSER | SIKRING 3,5A - VAND |
| 24 FLAT CIRCUIT BREAKER 3,5A - HORN | DISJONCTEUR PLAT 3,5A - KLAXON | FLACHER SCHALTER 3,5A - HUPE | SIKRING 3,5A - HORN |
| 25 FLAT CIRCUIT BREAKER 8A - ACTUATOR BRUSHES BASE | DISJONCTEUR PLAT 8A - VERIN CARTER DE BROSSES | FLACHER SCHALTER 8A - HEBEKONTROLLE BÖRSTENGEHÄUSE | SIKRING 8A - ACTUATOR SKRUBDÆK |
| 26 FLAT CIRCUIT BREAKER 8A - ACTUATOR SQUEEGEE | DISJONCTEUR PLAT 8A - VERIN SUCEUR | FLACHER SCHALTER 8A - HEBEKONTROLLE SAUGFUSS | SIKRING 8A - ACTUATOR SUGEFOD |
| 27 CHOPPER CARD | VARIATEUR ELECTRONIQUE | ELEKTRONIKKARTE | KØRE MOTOR KONTROLLER |
| 28 FUSE LAMELLAR 80A - CHOPPER CARD | FUSIBLE LAMELLAIRE 80A - VARIATEUR ELECTRONIQUE | LAMELLENSICHERUNG 80A - ELEKTRONIKKARTE | SIKRING 80A - KØRE MOTOR KONTROLLER |
| 29 FUSE PROTECTED 35A - SUCTION MOTOR | FUSIBLE 35A - MOTEUR D'ASPIRATION | SICHERUNG GESCHÜTZT 35A - SAUGMOTOR | SIKRING 35A - SUGEMOTOR |
| 30 FUSE LAMELLAR 80A - BRUSHES MOTOR | FUSIBLE LAMELLAIRE 80A - MOTEUR DE BROSSES | LAMELLENSICHERUNG 80A - BÖRSTEMOTOR | SIKRING 80A - BÖRSTEMOTOR |
| 31 FUSE 160A - GENERAL BATTERIES | FUSIBLE 160A - GENERAL BATTERIES | SICHERUNG 160A - GENERAL BATTERIEN | SIKRING 160A - HØVEDSIKRING |
| 32 CHECK CARD FOR CONTROLS AND COMMANDS | PLAQUE ELECTRONIQUE DE CONTROLE ET DES COMMANDES | KONTROLL - UND STEUERUNGSKARTE | PRINT KORT FOR KONTROLLER & KOMMANDØER |
| 33 RELAY - BRUSHES BASE UP | RELAIS - LEVEE CARTER DE BROSSES | RELAIS - HEBUNG BÖRSTENGEHÄUSE | RELE - SKRUBDÆK OP |
| 34 RELAY - SQUEEGEE UP | RELAIS - LEVEE SUCEUR | RELAIS - HEBUNG SAUGFUSS | RELE - SUGEFOD OP |
| 35 RELAY - BRUSHES BASE DOWN | RELAIS - DESCENTE CARTER DE BROSSES | RELAIS - SENKUNG BÖRSTENGEHÄUSE | RELE - SKRUBDÆK NED |

| COMPONENTS ELECTRICAL SYSTEM | COMPOSANTES SYSTEME ELECTRIQUE | TEILE ELEKTRISCHER ANLAGE | KOMPONENTER TIL ELEKTRISK SYSTEM |
|--|--|---|---|
| Description | Denomination | Benennung | Betegnelse |
| 36 RELAY - SQUEEGEE | RELAIS - DESCENTE SUCEUR | RELAIS - SENKUNG SAUGFUSS | RELE - SUGEFOD NED |
| 37 RELAY - PUMP | RELAIS - PUMP | RELAIS - POMPE | RELE - PUMPE |
| 38 FLAT CIRCUIT BREAKER 1,85 - CONTROL RELAY, BRUSHES BASE UP/DOWN | DISJONCTEUR PLAT 1,85A - COMMANDE LEVEE/DESCENTE CARTER DE BROSSES | FLACHER SCHALTER 1,85A - BETÄTIGUNG HEBUNG/SENKUNG BÖRSTENGEHÄUSE | SIKRING 1,85A - KONTROLRELE SKRUBDÆK - OP/NED |
| 39 FLAT CIRCUIT BREAKER 1,85 - CONTROL RELAY, SQUEEGEE UP/DOWN | DISJONCTEUR PLAT 1,85A - COMMANDE LEVEE/DESCENTE SUCEUR | FLACHER SCHALTER 1,85A - BETÄTIGUNG HEBUNG/SENKUNG SAUGFUSS | SIKRING 1,85A - KONTROLRELE SUGEFOD - OP/NED |
| 40 FLAT CIRCUIT BREAKER 1,85 - RELAY PUMP | DISJONCTEUR PLAT 1,85A - RELAIS PUMP | FLACHER SCHALTER 1,85A - RELAIS POMPE | SIKRING 1,85A - RELE PUMPE |
| 41 REMOTE CONTROL SWITCH 36V - GENERAL | TELERUPTEUR 36V - GENERAL | GENERALSCHÜTZ 36V | RELE 36V GENERAL |
| 42 REMOTE CONTROL SWITCH 36V - BRUSHES MOTOR | TELERUPTEUR 36V - MOTEUR DE BROSSES | SCHÜTZ 36V - BÖRSTEMOTOR | RELE 36V - BÖRSTEMOTOR |
| 43 REMOTE CONTROL SWITCH 36V - SUCTION MOTOR | TELERUPTEUR 36V - MOTEUR D'ASPIRATION | SCHÜTZ 36V - SAUGMOTOR | RELE 36V - SUGEMOTOR |
| 44 FORWARD PEDAL | | | PEDAL, FREMBAK |
| 45 SWITCH SAFETY - OPERATOR SEAT | INTERRUPTEUR SECURITE SUR SIEGE OPERATEUR | DRÜCKKNÖPF SCHALTER SICHERHEIT FAHRERSITZ | SÆDEKONTAKT |
| 47 MICROSWITCH - MAXIMUM PRESSURE BASE DOWN | MICRO INTERRUPTEUR - | MIKROSCHALTER - | MICRO SWITCH - |
| 49 MICROSWITCH - MAXIMUM BASE UP | MICRO INTERRUPTEUR - | MIKROSCHALTER - | MICRO SWITCH - |
| 50 MICROSWITCH - MAXIMUM PRESSURE BASE DOWN | MICRO INTERRUPTEUR - | MIKROSCHALTER - | MICRO SWITCH - |
| 51 FLASH LIGHT | CLIGNOUEUR | BLINKANLAGE | RØTORBLIK |
| 52 MICROSWITCH 15A - SQUEEGEE UP | MICRO INTERRUPTEUR 15A - LEVEE SUCEUR | MIKROSCHALTER 15A - HEBUNG SAUGFUSS | MICRO SWITCH 15A - SUGEFOD OP |
| 53 MICROSWITCH 15A - SQUEEGEE DOWN | MICRO INTERRUPTEUR 15A - DESCENTE SUCEUR | MIKROSCHALTER 15A - SENKUNG SAUGFUSS | MICRO SWITCH 15A - SUGEFOD NED |
| 54 SOLENOID VALVE | ELECTROVALVE | MAGNETVENTIL | MAGNETVENTIL |
| 55 BATTERY | BATTERIE | BATTERIE | BATTERI |
| 56 MAXIFUSE 40A - BRUSHES MOTOR | MAXIFUSIBLE 40A - MOTEUR DE BROSSES | MAXISICHERUNG 40A - BÖRSTEMOTOR | MAXISIKRING 40A - BÖRSTEMOTOR |
| M1 BRUSHES MOTOR 36V - MAGNA 70 | MOTEUR DE BROSSES 36V | BÖRSTEMOTOR 36V | BÖRSTEMOTOR 36V |
| M2 GEARED MOTOR 36V - TRACTION | MOTO-REDUCTEUR 36V - TRACTION | GETRIEBEMOTOR 36V - ANTRIEB | GEARMOTOR 36V - FREMDRIFT |
| M3 GEARED MOTOR 36V - SQUEEGEE | MOTO-REDUCTEUR 36V - SUCEUR | GETRIEBEMOTOR 36V - SAUGFUSS | GEARMOTOR 36V - SUGEFOD |
| M4 PUMP 36V | PUMP 36V | POMPE 36V | PUMPE 36V |
| M5 ACTUATOR BRUSHES BASE | VERIN CARTER DE BROSSES | HEBEKONTROLLE BÖRSTENGEHÄUSE | ACTUATOR SKRUBDÆK |
| M6 SUCTION MOTOR 36V | MOTEUR D'ASPIRATION 36V | SAUGMOTOR 36V | SUGEMOTOR 36V |

ENCORE RC 26" & 30"

Disc Brush El-Diagram



ENCORE RC 26" & 30"

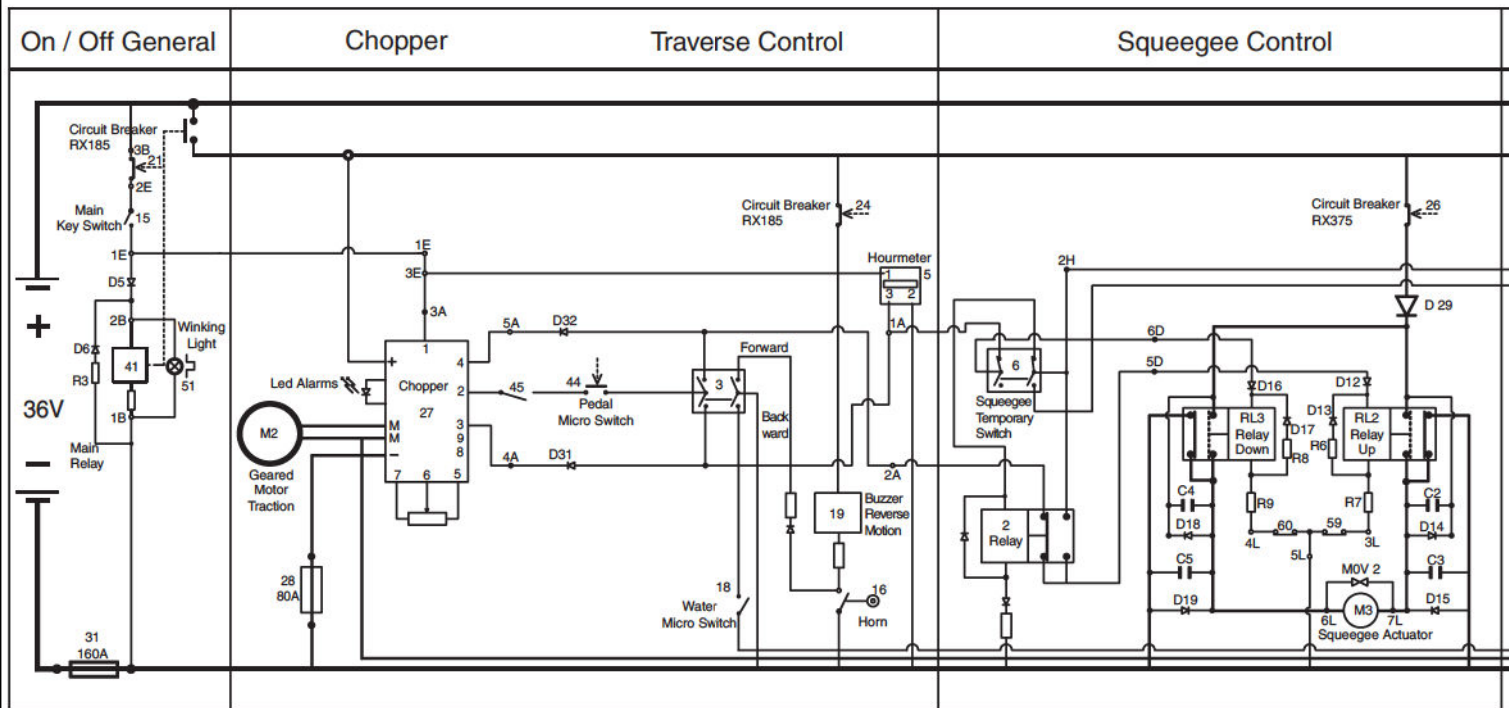
Disc Brush El-Diagram

| COMPONENTS ELECTRICAL SYSTEM | COMPOSANTES SYSTEME ELECTRIQUE | TEILE ELEKTRISCHER ANLAGE | KOMPONENTER TIL ELEKTRISK SYSTEM |
|--|--|---|--|
| Description | Denomination | Benennung | Betegnelse |
| 1 RELAY - SUCTION MOTOR | RELAIS - MOTEUR D'ASPIRATION | RELAIS - SAUGMOTOR | RELÆ - SUGEMOTOR |
| 2 RELAY - AUTOMATIC/ SQUEEGEE UP | RELAIS - AUTLEVEE SUCEUR | RELAIS - AUTOMATISCH/HEBUNG SAUGFUSS | RELÆ - AUTOMATISK SUGEFOD OP |
| 3 SWITCH - MOTION | SELECTEUR - MARCHÉ | SCHALTER - | KONTAKT FREM/BAK |
| 4 DISPLAY | DISPLAY | DISPLAY | DISPLAY |
| 5 HOURMETER DIGITAL | COMPTEUR HORAIRE DIGITAL | BETRIEBSSTUNDENZÄHLER DIGITAL | TIMETÆLLER DIGITAL |
| 6 SWITCH - SQUEEGEE | SELECTEUR - SUCEUR | SCHALTER - SAUGFUSS | KONTAKT - SUGEFOD |
| 7 TEMPORARY SWITCH - BRUSHES CONTROLS | TEMPORAIRE SELECTEUR - | ZEITWEILIGER SCHALTER - | KONTAKT BØRSTEKONTROL |
| 15 CONTACT ON/OFF GENERAL KEY | CONTACT CLEF ON/OFF | KONTAKT ON/OFF - GENERALSCHLUSSEL | KONTAKT ON/OFF NØGLE |
| 16 PUSH BUTTON - HORN | POUSSOIR KLAXON | DRÜCKKNOPF - HUPE | TRYKKONTAKT HORN |
| 18 MICROSWITCH - WATER VALVE | MICRO INTERRUPTEUR - | MIKROSCHALTER - | MICRO SWITCH VANDVENTIL |
| 19 REVERSE MOTION BUZZER | RONFLEUR MARCHÉ BUMMER | RUECKWAERTSFÄHRENS LUMMER | BAK - ALARM |
| 20 BATTERY CHECK CARD | PLAQUE CONTROLE DE BATTERIES | KONTROLLELEMENT BATTERIEN | PRINT KORT BATTERIKONTROL |
| 21 FLAT CIRCUIT BREAKER 3,5 - GENERAL | DISJONCTEUR PLAT 3,5A - GENERAL | FLACHER SCHALTER 3,5A - GENERAL | SIKRING 3,5A - GENERAL |
| 22 FLAT CIRCUIT BREAKER 3,5A - TRACTION | DISJONCTEUR PLAT 3,5A - TRACTION | FLACHER SCHALTER 3,5A - ANTRIEB | SIKRING 3,5A - TRACTION |
| 23 FLAT CIRCUIT BREAKER 3,5A - WATER | DISJONCTEUR PLAT 3,5A - EAU | FLACHER SCHALTER 3,5A - WASSER | SIKRING 3,5A - VAND |
| 24 FLAT CIRCUIT BREAKER 3,5A - HORN | DISJONCTEUR PLAT 3,5A - KLAXON | FLACHER SCHALTER 3,5A - HUPE | SIKRING 3,5A - HORN |
| 25 FLAT CIRCUIT BREAKER 8A - ACTUATOR BRUSHES BASE | DISJONCTEUR PLAT 8A - VERIN CARTER DE BROSSES | FLACHER SCHALTER 8A - HEBEKONTROLLE BØRSTENGHÄUSE | SIKRING 8A - ACTUATOR SKRUBDÆK |
| 26 FLAT CIRCUIT BREAKER 8A - ACTUATOR SQUEEGEE | DISJONCTEUR PLAT 8A - VERIN SUCEUR | FLACHER SCHALTER 8A - HEBEKONTROLLE SAUGFUSS | SIKRING 8A - ACTUATOR SUGEFOD |
| 27 CHOPPER CARD | VARIATEUR ELECTRONIQUE | ELEKTRONIKKARTE | HØRE MOTOR KONTROLLER |
| 28 FUSE LAMELLAR 80A - CHOPPER CARD | FUSIBLE LAMELLAIRE 80A - VARIATEUR ELECTRONIQUE | LAMELLENSICHERUNG 80A - ELEKTRONIKKARTE | SIKRING 80A - HØRE MOTOR KONTROLLER |
| 29 FUSE PROTECTED 35A - SUCTION MOTOR | FUSIBLE 35A - MOTEUR D'ASPIRATION | SICHERUNG GESCHÜTZT 35A - SAUGMOTOR | SIKRING 35A - SUGEMOTOR |
| 30 FUSE LAMELLAR 80A - BRUSHES MOTOR | FUSIBLE LAMELLAIRE 80A - MOTEUR DE BROSSES | LAMELLENSICHERUNG 80A - BÜRSTENMOTOR | SIKRING 80A - BØRSTEMOTOR |
| 31 FUSE 160A - GENERAL BATTERIES | FUSIBLE 160A - GENERAL BATTERIES | SICHERUNG 160A - GENERAL BATTERIEN | SIKRING 160A - HØVEDSIKRING |
| 32 CHECK CARD FOR CONTROLS AND COMMANDS | PLAQUE ELECTRONIQUE DE CONTROLE ET DES COMMANDES | KONTROLL - UND STEUERUNGSKARTE | PRINT KORT FOR KONTROLLER & KOMMANDOER |
| 33 RELAY - BRUSHES BASE UP | RELAIS - LEVEE CARTER DE BROSSES | RELAIS - HEBUNG BØRSTENGHÄUSE | RELÆ - SKRUBDÆK OP |
| 34 RELAY - SQUEEGEE UP | RELAIS - LEVEE SUCEUR | RELAIS - HEBUNG SAUGFUSS | RELÆ - SUGEFOD OP |
| 35 RELAY - BRUSHES BASE DOWN | RELAIS - DESCENTE CARTER DE BROSSES | RELAIS - SENKUNG BØRSTENGHÄUSE | RELÆ - SKRUBDÆK NED |

| COMPONENTS ELECTRICAL SYSTEM | COMPOSANTES SYSTEME ELECTRIQUE | TEILE ELEKTRISCHER ANLAGE | KOMPONENTER TIL ELEKTRISK SYSTEM |
|--|--|--|--|
| Description | Denomination | Benennung | Betegnelse |
| 36 RELAY - SQUEEGEE DOWN | RELAIS - DESCENTE SUCEUR | RELAIS - SENKUNG SAUGFUSS | RELÆ - SUGEFOD NED |
| 37 RELAY - PUMP | RELAIS - PUMP | RELAIS - POMPE | RELÆ - PUMPE |
| 38 FLAT CIRCUIT BREAKER 1,85 - CONTROL RELAY, BRUSHES BASE UP/DOWN | DISJONCTEUR PLAT 1,85A - COMMANDE LEVEE/DESCENTE CARTER DE BROSSES | FLACHER SCHALTER 1,85A - BETÄTIGUNG HEBUNG/SENKUNG BØRSTENGHÄUSE | SIKRING 1,85A - KONTROLRELE/ SKRUBDÆK - OP/NED |
| 39 FLAT CIRCUIT BREAKER 1,85 - CONTROL RELAY, SQUEEGEE UP/DOWN | DISJONCTEUR PLAT 1,85A - COMMANDE LEVEE/DESCENTE SUCEUR | FLACHER SCHALTER 1,85A - BETÄTIGUNG HEBUNG/SENKUNG SAUGFUSS | SIKRING 1,85A - KONTROLRELE/ SUGEFOD - OP/NED |
| 40 FLAT CIRCUIT BREAKER 1,85 - RELAY PUMP | DISJONCTEUR PLAT 1,85A - RELAIS PUMP | FLACHER SCHALTER 1,85A - RELAIS POMPE | SIKRING 1,85A - RELE PUMPE |
| 41 REMOTE CONTROL SWITCH 36V - GENERAL | TELERUPTEUR 36V - GENERAL | GENERALSCHÜTZ 36V | RELÆ 36V GENERAL |
| 42 REMOTE CONTROL SWITCH 36V - BRUSHES MOTOR | TELERUPTEUR 36V - MOTEUR DE BROSSES | SCHÜTZ 36V - BÜRSTENMOTOR | RELÆ 36V - BØRSTEMOTOR |
| 43 REMOTE CONTROL SWITCH 36V - SUCTION MOTOR | TELERUPTEUR 36V - MOTEUR D'ASPIRATION | SCHÜTZ 36V - SAUGMOTOR | RELÆ 36V - SUGEMOTOR |
| 44 FORWARD PEDAL | PEDAL | PEDAL | PEDAL, FREMBAK |
| 45 SWITCH SAFETY - OPERATOR SEAT | INTERRUPTEUR SECURITE SUR SIEGE | DRÜCKKNOPFSCHALTER SICHERHEIT FAHRERSITZ | SÆDEKONTAKT |
| 47 MICROSWITCH - MAXIMUM PRESSURE BASE DOWN | MICRO INTERRUPTEUR - | MIKROSCHALTER - | MICRO SWITCH - |
| 49 MICROSWITCH - MAXIMUM PRESSURE BASE UP | MICRO INTERRUPTEUR - | MIKROSCHALTER - | MICRO SWITCH - |
| 50 MICROSWITCH - MAXIMUM PRESSURE BASE DOWN | MICRO INTERRUPTEUR - | MIKROSCHALTER - | MICRO SWITCH - |
| 51 FLASH LIGHT | CLIGNOUEUR | BLINKANLAGE | ROTORBLIK |
| 52 MICROSWITCH 15A - SQUEEGEE UP | MICRO INTERRUPTEUR 15A - LEVEE SUCEUR | MIKROSCHALTER 15A - HEBUNG SAUGFUSS | MICRO SWITCH 15A - SUGEFOD OP |
| 53 MICROSWITCH 15A - SQUEEGEE DOWN | MICRO INTERRUPTEUR 15A - DESCENTE SUCEUR | MIKROSCHALTER 15A - SENKUNG SAUGFUSS | MICRO SWITCH 15A - SUGEFOD NED |
| 54 SOLENOID VALVE | ELECTROVALVE | MAGNETVENTIL | MAGNETVENTIL |
| 55 BATTERY | BATTERIE | BATTERIE | BATTERI |
| M1 BRUSHES MOTOR 36V - | MOTEUR DE BROSSES 36V | BÜRSTENMOTOR 36V | BØRSTEMOTOR 36V |
| M2 GEARED MOTOR 36V - TRACTION | MOTO-REDUCTEUR 36V - TRACTION | GETRIEBEMOTOR 36V - ANTRIEB | GEARMOTOR 36V - FREMDRIFT |
| M3 GEARED MOTOR 36V - SQUEEGEE | MOTO-REDUCTEUR 36V - SUCEUR | GETRIEBEMOTOR 36V - SAUGFUSS | GEARMOTOR 36V - SUGEFOD |
| M4 PUMP 36V | PUMP 36V | POMPE 36V | PUMPE 36V |
| M5 ACTUATOR BRUSHES BASE | VERIN CARTER DE BROSSES | HEBEKONTROLLE BØRSTENGHÄUSE | ACTUATOR SKRUBDÆK |
| M6 SUCTION MOTOR 36V | MOTEUR D'ASPIRATION 36V | SAUGMOTOR 36V | SUGEMOTOR 36V |

ENCORE RO

Functiona



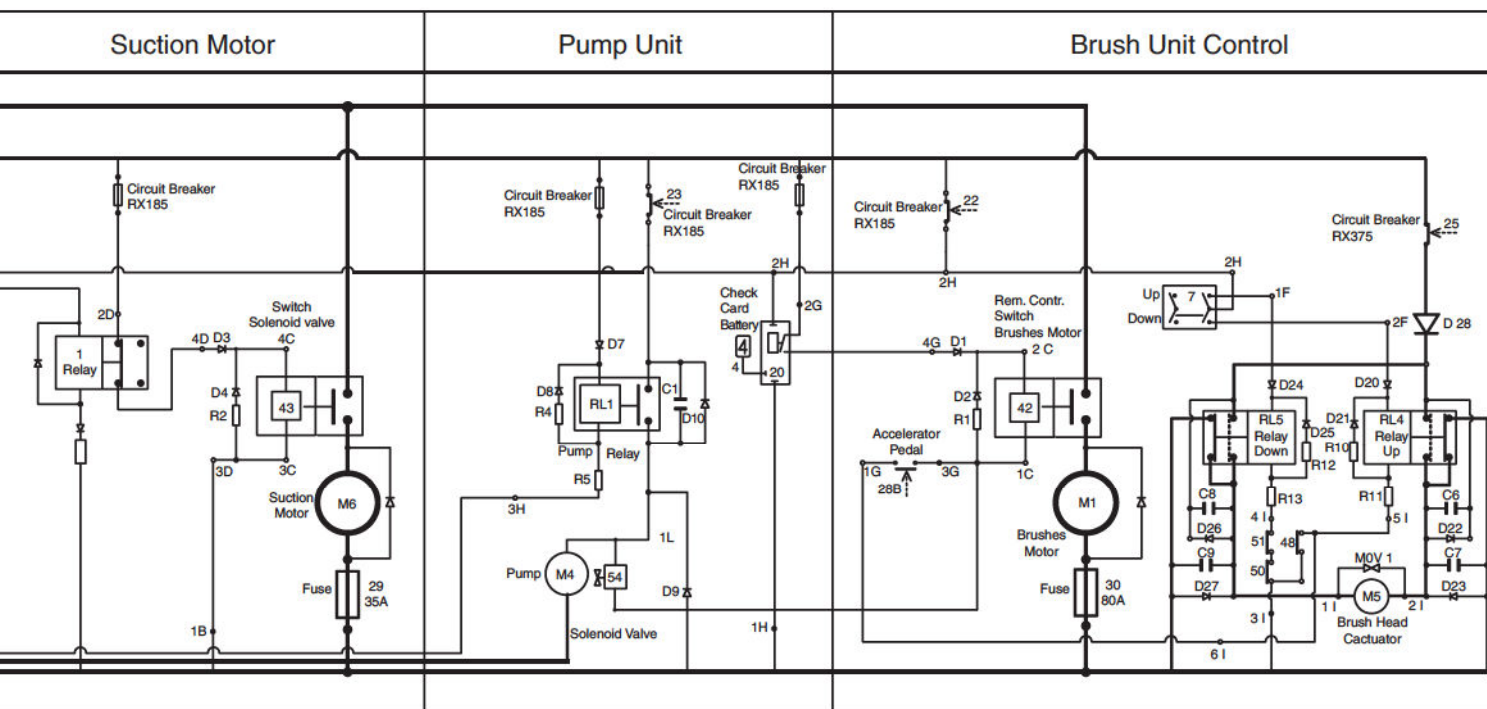
Color Legend

- 1, 2, = Components
- 1A, 2A, = Check Card Control Connections
- R1, D1, = Control CheckCard Components
- 1, 2 = Chopper Card Connections

- = Positive
- = Negative

C 26" & 30"

al Scheme



Recommended spare parts

A-Parts:

Wearing parts. The recommended stock size is: [Number of machines x 1.2 x years] or min. 1.

These parts are typical: Brushes, brooms, flaps, filters, squeegee blades, ect.

B-Parts:

Heavy used parts. The recommended stock size is: [Number of machines x 0.6 x years] or min. 1.

These parts are typical: Hydraulic valves, fuses, circuit breakers, seal kits, belts, carbon brushes, motors, hoses, etc.

C-Parts:

Important parts to run the machine. The recommended stock size is: [Number of machines x 0.1 x years] or min. 1.

These parts are typical: Electrical parts, relays, switches, wheels, etc.

Empfohlene Ersatzteile

A-Teile:

Verschleissteile. Empfohlene Lagerstückzahl: [Anzahl der Maschinen x 1,2 x Jahre] oder min. 1.

Diese Teile sind typisch: Bürsten aller Art, Filter, Staubklappen, Gummilamellen, etc.

B-Teile:

Schwer beanpruchte Teile. Empfohlene Lagerstückzahl: [Anzahl der Maschinen x 0,6 x Jahre] oder min. 1.

Diese Teile sind typisch: Hydraulische Ventile, Sicherungen, Stromunterbrecher, Dichtungssätze, Riemen, Kohlebürsten, etc.

C-Teile:

Zum Betrieb der Maschine wichtige Teile. Empfohlene Lagerstückzahl: [Anzahl der Maschinen x 0,1 x Jahre] oder min. 1.

Diese Teile sind typisch: Elektrische Teile, Relais, Schalter, Schläuche, Räder, etc.

Anbefalede reservedele

A-Parts:

Sliddele. Anbefalet lagerstørrelse: [Antal maskiner x 1,2 x år] eller min. 1.

Disse dele er typisk: Skrubbørster, fejekoste, kapper, filtre, suggummiblade m.v.

B-Parts:

Hårdt belastede dele. Anbefalet lagerstørrelse: [Antal maskiner x 0,6 x år] eller min. 1.

Disse dele er typisk: Hydrauliske ventiler, sikringer, automatsikringer, pakningssæt, remme, kulbørster m.v.

C-Parts:

Vigtige dele for at maskinen kører. Anbefalet lagerstørrelse: [Antal maskiner x 0,1 x år] eller min. 1.

Disse dele er typisk: El-dele, relæer, kontakter, motorer, slanger, hjul m.v.