

KC 20

Model:
KC 20

KC 20

Part List US-English

12-12-2012

Nilfisk
ALTO
works for you

www.nilfisk-alto.com

Ersatzteile auf www.gluesing.net

Table of Contents

KC 20

Instrument panel, wheels, brush....	3
Motor, suction box, blades.....	6
Cover, handle, frame, tank.....	9
Accessories	11

Instrument panel, wheels, brush....

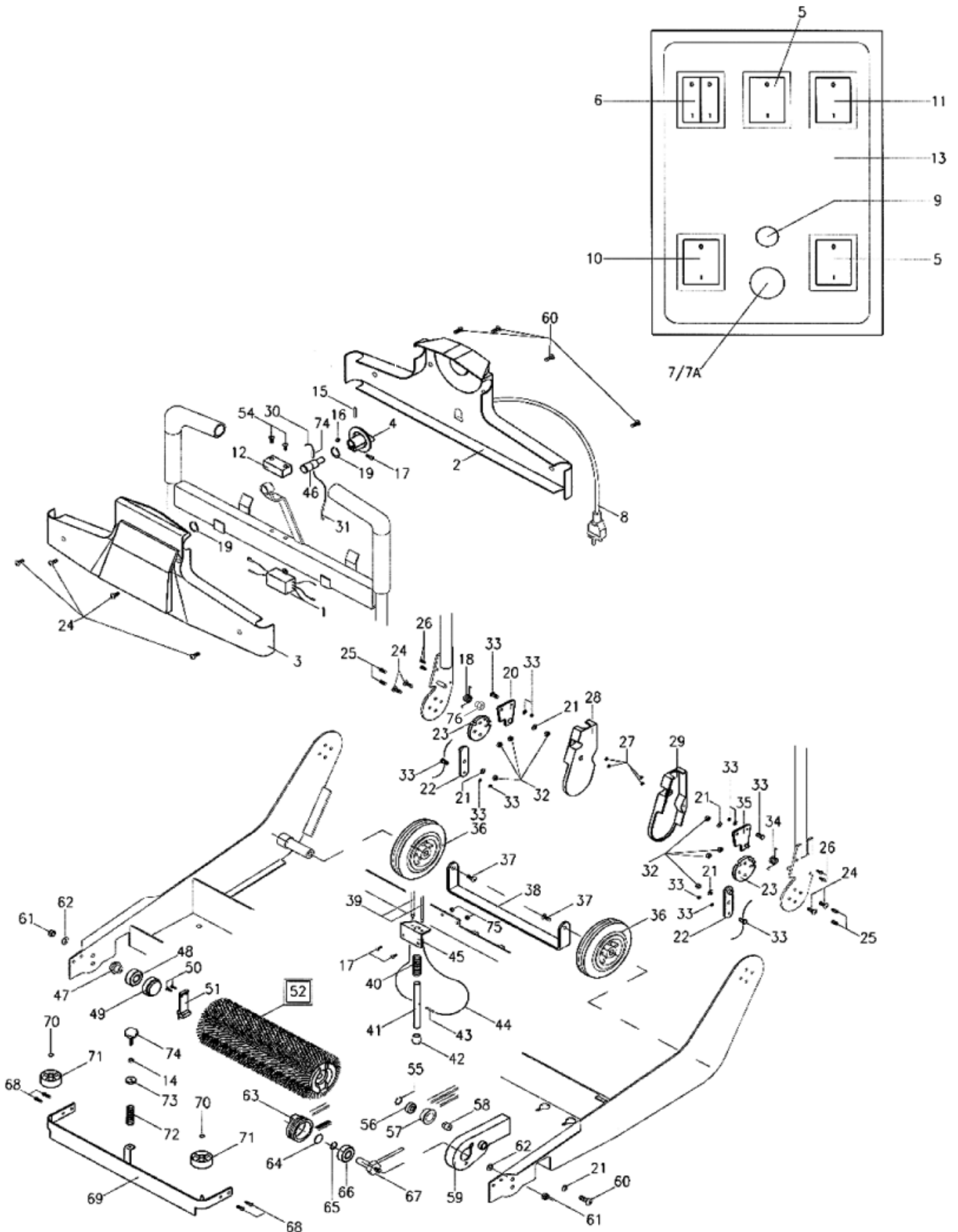
KC 20

12-12-2012

Part List ID

KC2002

3



Ersatzteile auf www.gluesing.net

Instrument panel, wheels, brush....

KC 20

12-12-2012

Part List ID
KC2002

4

Pos	Part no.	Qty	Description
1	7114990	1	FILTER
2	7115217	1	INSTRUMENT PANEL BEHIND H
3	7115218	1	INSTRUMENT PANEL
4	7114949	1	HANDLE FOR BUTTERFLY
5	7114337	2	BIPOLAR SWITCH WITH ORANG
6	7114442	1	BIPOLAR SWITCH WITH DOUBL
7	7114989	1	FUSE CARRIER. 6X32
8	7115086	1	POWER SUPPLY CORD WITH PL
9	7115163	1	BULB COVER WITH BULB
10	7114354	1	BIPOLAR SWITCH WITH GREEN
11	7114983	1	BIPOLAR SWITCH WITH ORANG
12	7114985	1	CORE HITCH. PA 238 RO
13	7115219	1	KC 20 DASHBOARD LABEL
14	1800705	1	NUT M6 ISO 4032
15	7115220	1	SPRING DOWEL SLEEVE
17	7114120	3	SCREW 5X16
18	7115102	1	SPRING FOR RIGHT HAND LEV
19	7114167	2	SEEGER CIRCLIP RING
20	7115090	1	RIGHT HAND ARTICULATION L
21	7114115	5	WASHER 6X18
22	7115092	2	LIFTING LEVER.
23	7115070	2	GEAR WHEEL.
24	7114145	8	SCREW. ISO 7380 6X25 ZB
25	7114880	4	SPRING PIN
26	7114902	4	COUNTERSUNK SCREW M4X12 ISO 10642
27	2759	4	HEXAGON NUT M4
28	7115221	1	CASING KC 20
29	7115222	1	CASING KC 20
30	7115223	1	HANDLE RELEASE CABLE. L 2
31	7115224	8	SHEATH FOR THE LEFT HANDL
32	1805399	8	LOCK NUT W. NYLONRING M6 A2
33	7114920	4	CLAMP MICRO
34	7115103	1	SPRING FOR LEFT HAND
35	7115091	1	LEFT HAND ARTICULATION LE
36	7115125	2	WHEEL 150 - 40 - 70
37	7114907	2	SCREW. UNI 5387 6X10
38	7115225	1	REAR WHEEL HANDLEBAR SUPPORT.
39	7114251	2	LIFTING ROD CABLE SHEATH
41	7114997	1	MACHINE LIFTING ROD
42	7114940	1	CABLE CAP. Ø10
44	7115226	1	CABLE FOR THE LIFTING ROD
45	7115140	1	LIFTING BRACKET.
46	7115227	1	HANDLE RELEASE PIN

Instrument panel, wheels, brush....

KC 20

12-12-2012

Part List ID

KC2002

5

Pos	Part no.	Qty	Description
47	7115228	1	BRUSH PIN. KC20
48	7114943	1	BEARING 6002 2RS
49	7115008	1	BUSHING FOR 6002 2RS BEAR
50	7114910	2	SELF TAPPING SCREW + UNI
51	7114231	1	BRUSH HOOKING LEVER.
52	7115196	1	BRUSH Ø100 KC20 NYLON
52	7115197	1	BRUSH Ø 100 KC20 RESERVOI
52	7115198	1	BRUSH 100 KC20 TYNEX
53	7114939	1	HAND WHEEL 25 M6X25
54	7114917	2	SCREW. 3.5 X 14.5
55	7114157	1	INNER SNAP RING. DIN472 Ø
56	7114419	1	BEARING 608 2RS
57	7115229	1	ROLLER TIGHTENING BELT KC2
58	7115116	1	PIN FOR THE BELT TIGHTENI
59	7115230	1	BELT GUARD. KC20
60	7114134	3	SCREW 6X10
62	7114113	2	WASHER 8X17
63	7115231	1	DRIVEN PULLEY. KC20
64	7114923	1	CORTECO GASKET 12-22-5
65	7114208	1	OUTER SNAP RING Ø 20
66	7114377	1	BEARING
67	7115117	1	PULLEY PIN WITH COPPER PI
68	7114903	4	SCREW. ISO 7380 5X12
69	7115232	1	BUMPER. KC20
70	7114895	2	OUTER SNAP RING. Ø7
71	7114232	2	WHEEL Ø40
72	7115104	1	COMPRESSION SPRING CO-41
73	7115007	1	BUSHING FOR THE SQUEEGEE
74	7115233	1	SPRING DOWEL SLEEVE
75	7115234	2	LOCK NUT. M 5 DIN 982
76	7115235	1	SUCTION BOX KC20
7A	7114218	1	FUSE. 10A 230V 6X32

Motor, suction box, blades.....

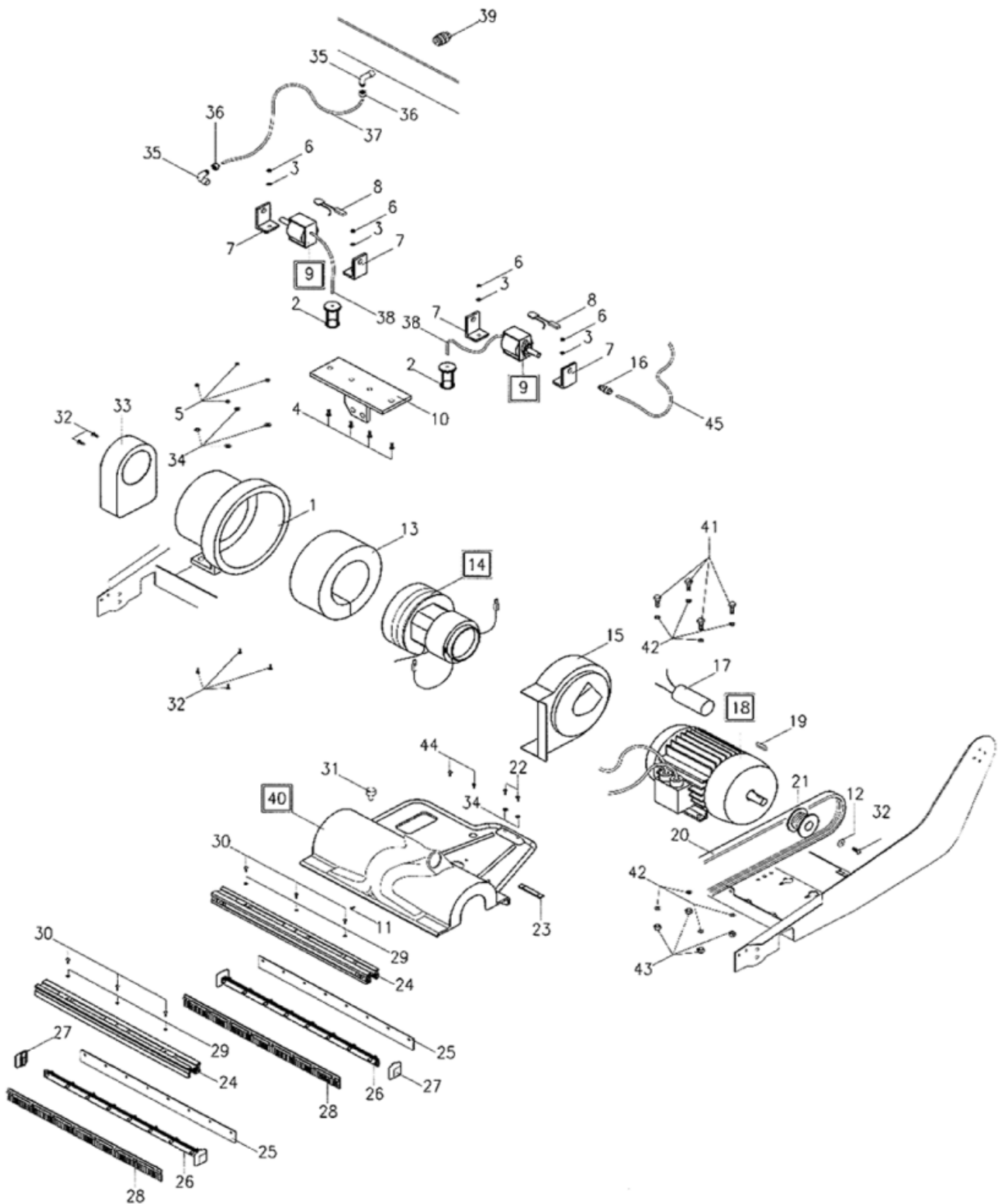
KC 20

12-12-2012

Part List ID

KC2004

6



Motor, suction box, blades.....

KC 20

12-12-2012

Part List ID KC2004

7

Pos	Part no.	Qty	Description
1	7115235	1	SUCTION BOX KC20
2	7115172	2	FILTER FOR SOLUTION.
3	7115236	4	WASHER. UNI 6592 4X16
4	7114912	4	SCREW. 4X16
5	7115234	4	LOCK NUT. M 5 DIN 982
6	2759	4	HEXAGON NUT M4
7	7115144	4	PUMP VIBRATION DAMPING SU
8	7114992	2	THERMAL PROTECTION FOR PU
9	7090721	2	PUMP. MULTIVAC
9	7114993	2	SUCTION PUMP. 110V
10	7115238	1	PUMP SUPPORT BRACKET. KC2
11	7114197	1	SCREW. 5X12
12	7114115	1	WASHER 6X18
13	7115077	1	DEADENING GASKET
14	7114793	1	SUCTION SYSTEM MOTOR. 230
14	7114979	1	SUCTION SYSTEM MOTOR. 110
15	7115239	1	SUCTION COMPARTMENT COVER
16	7115240	1	1/4 UNION ELBOW
17	7115241	1	CAPACITOR KC20
18	7115242	1	MOTOR. 230 V
18	7115243	1	MOTOR. 110 V
19	7114169	1	KEY 5X5X15
20	7115244	1	POLY BELT V220 J5
21	7115245	1	DRIVE PULLEY. KC20
22	7115246	2	SCREW. ISO 7380 5X16
23	7115145	1	FIXING BRACKET
24	7115247	2	SQUEEGEE PAD SUPPORT KC20
25	7115248	2	SQUEEGEE 20
26	7115249	2	BLADE SUPPORT. KC20
27	7114239	4	SQUEEGEE CAP.
28	7115250	2	SQ 20
29	7114878	6	WASHER. UNI 6593 4X12
30	7114884	6	SELF TAPPING SCREW 3.9 X
31	7115080	1	GUIDE FOR THE SQUEEGEE ADJ
32	7114903	7	SCREW. ISO 7380 5X12
33	7115251	1	COOLING AIR DRIVE
34	7115252	6	WASHER. UNI 6592 5X15
36		1	NOTE COMMENT
37	7115253	1	SUPPLEMENTARY PIPE KC20
38	7115254	2	SOLUTION PIPE
39		1	NOTE COMMENT
40	7115255	1	SUCTION CHUTE
41	7114124	4	SCREW 8X35

Motor, suction box, blades.....

KC 20

12-12-2012

Part List ID KC2004

8

Pos	Part no.	Qty	Description
42	7114113	8	WASHER 8X17
44	7114119	3	SELF-TAPPING SCREW 3.5X9.
45	7115256	1	WATER PIPE FOR BRUSH KC20

Cover, handle, frame, tank.....

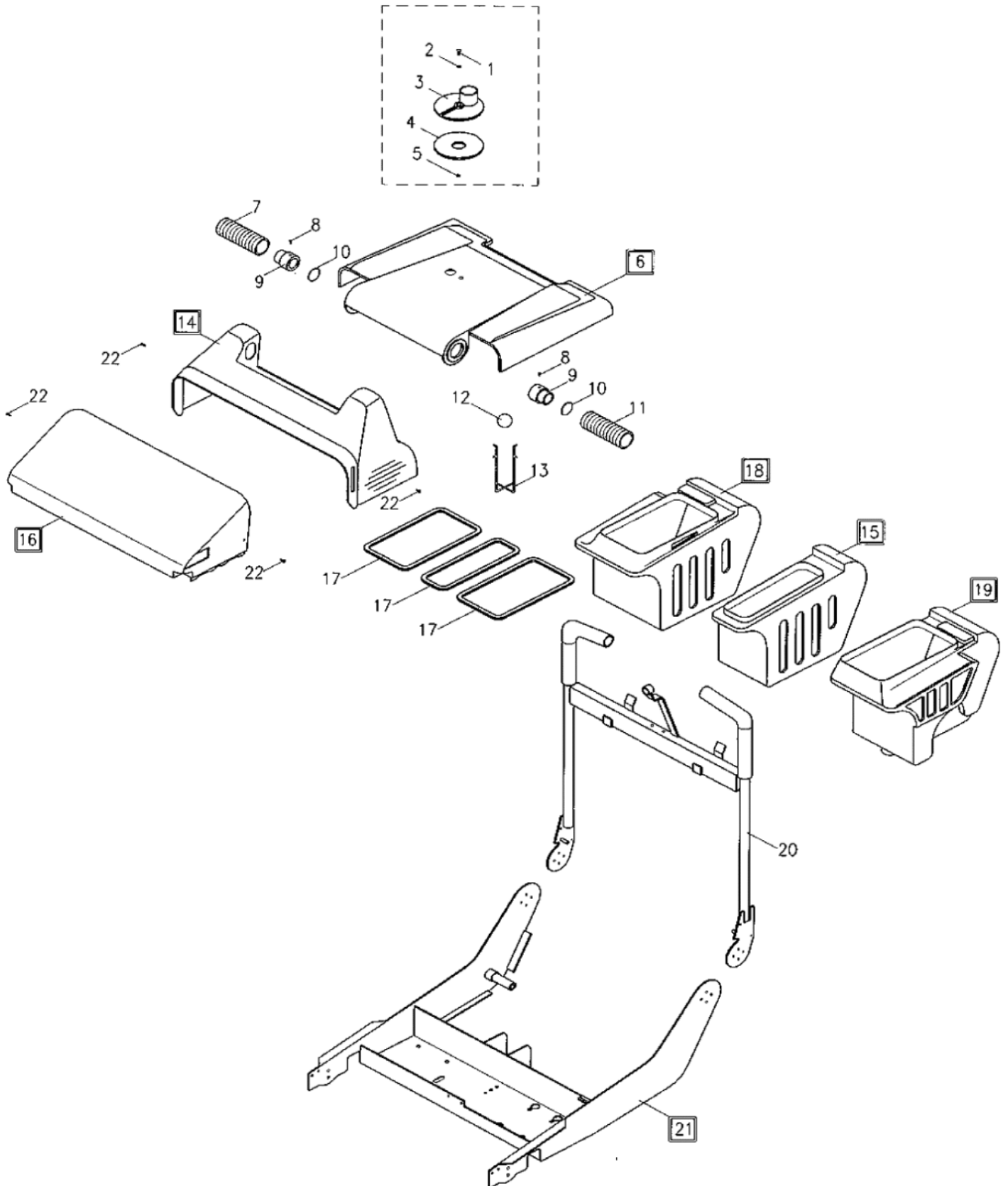
KC 20

12-12-2012

Part List ID

KC2006

9



Cover, handle, frame, tank.....

KC 20

12-12-2012

Part List ID
KC2006

10

Pos	Part no.	Qty	Description
1	7114914	1	SCREW. TCTC 4X30
2	7114878	1	WASHER. UNI 6593 4X12
3	7115042	1	SUCTION ACCESSORY CONNECT
4	7115076	1	GASKET FOR ACCESSORY CONN
5	7114918	1	M4 SPLIT THREADED RIVET
6	7115257	1	COVER. KC20
8	7114909	2	SELF TAPPING SCREW. UNI 6
9	7115041	2	COVER CONNECTION.
10	7114921	2	3137 O-RING
11	7115173	1	FLEX PIPE. 250 MM
12	7115171	1	BALL FOR FLOAT.
14	7115259	1	GREY BONNET. KC20 BLUE
15	7115260	1	WHITE ACCESSORY TANK KC20
16	7115261	1	GREY DRAWER. KC20
19	7115264	1	WHITE SOLUTION TANK. KC20
21	7115266	1	GREY FRAME. KC20
22	7114903	4	SCREW. ISO 7380 5X12

Accessories

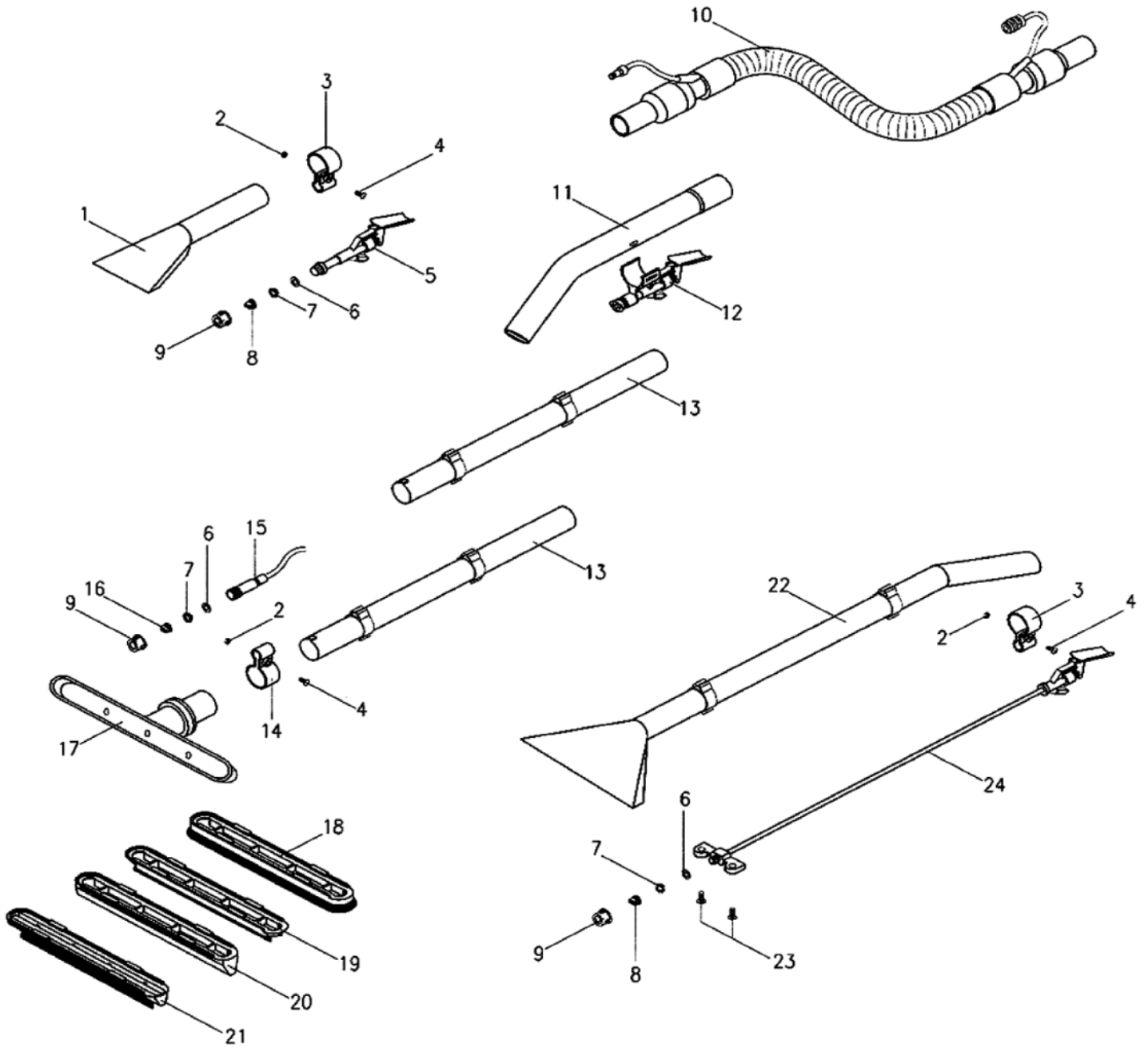
KC 20

12-12-2012

Part List ID

KC2008

11



Ersatzteile auf www.gluesing.net

Accessories

KC 20

12-12-2012

Part List ID
KC2008

12

Pos	Part no.	Qty	Description
1	7115178	1	PLASTIC FITTING FOR SEAT
3	7114994	2	TAP CLAMP
4	7114159	3	SCREW 5X25
5	7114970	1	LEVER TAP. REF. 726
7	7114968	3	STAINLESS STEEL NOZZLE FI
8	7114973	2	NOZZLE 015-110
9	7114975	3	3/8 PLASTIC RING NUT
10	7115177	1	3 M FLEX PIPE FOR WATER
11	7115185	1	PLASTIC PIPE CURVE
13	7115186	2	STAINLESS STEEL PIPE. DIA
14	7114995	1	NOZZLE CLAMP
15	7115187	1	NOZZLE EXTENSION
16	7114974	1	NOZZLE 02-80
17	7115179	1	SLIDE SUPPORT
18	7115180	1	DUST-PROOF STRIP SUPPORT
19	7115181	1	SUCKER HOLDER SLIDE
20	7115182	1	CARPET WASHER SLIDE
21	7115183	1	CENTRE STRIP SLIDE
22	7115184	1	FLOOR WASHER OUTLET WITH
23	7114911	2	SELF TAPPING SCREW. 4.8X2
24	7114972	1	TAP WITH EXTENSION