

KC 12

Model:
KC 12

KC 12

Part List US-English

25-01-2013

Nilfisk
ALTO
works for you

www.nilfisk-alto.com

Ersatzteile auf www.gluesing.net

Table of Contents

KC 12

Handle and tank	3
Motor, brushes and cabinet parts	5

Handle and tank

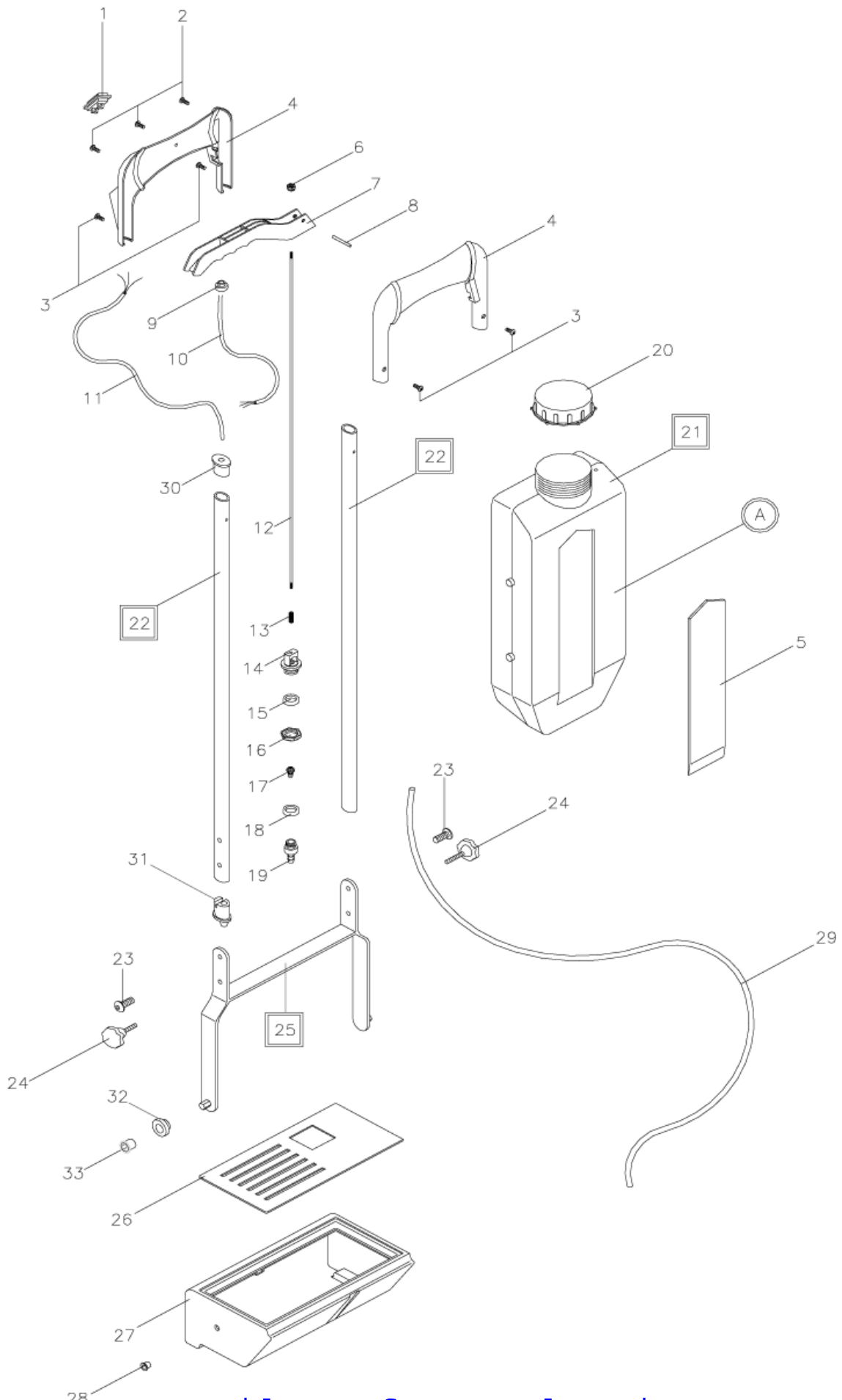
KC 12

25-01-2013

Part List ID

KC1202

3



Handle and tank

KC 12

25-01-2013

Part List ID
KC1202

4

Pos	Part no.	Qty	Description
1	7114355	1	BIPOLAR SWITCH
2	7114884	3	SELF TAPPING SCREW 3.9 X
3	7114119	4	SELF-TAPPING SCREW 3.5X9.
4	7115093	1	HANDLE
5	7115188	1	TANK LABEL
6	7115068	1	NUT FOR THE TANK DIPSTICK
7	7115088	1	WATER CONTROL LEVER
9	7114981	1	CORE HITCH
A	7115159	1	COMPLETE WHITE TANK ASSEM
A	7115160	1	COMPLETE BLACK TANK ASSEM
10	7115084	1	POWER SUPPLY CABLE WITH P
11	7115085	1	POWER SUPPLY CABLE
12	7114996	1	WATER CONTROL ROD
13	7115097	1	WATER CONTROL SPRING
14	7115126	1	PIPE FITTING FOR TANK
15	7115071	1	FLAT GASKET
16	7115069	1	TANK BRASS DOWEL
17	7115107	1	SEALING PIVOT
18	7114174	1	SEAL FOR TANK
19	7115127	1	RUBBER BEARER
20	7115013	1	TANK CAP
21	7114510	1	WHITE TANK
21	7115011	1	BLACK TANK
22	7115151	2	BLACK TUBE FOR HANDLE
22	7115152	2	GREY TUBE FOR HANDLE
23	7114134	2	SCREW 6X10
24	7114936	2	HAND WHEEL 30 M6X10
25	7115132	1	BLACK HANDLE SUPPORT
25	7115133	1	GREY HANDLE SUPPORT
26	7115025	1	WATER CONTAINER GRILL
27	7115024	1	WATER CONTAINER
28	7115014	1	CONTAINER CAP
29	7115168	1	WATER HOSE
30	7115153	1	TOP CAP FOR THE CORE HITC
31	7115154	1	CORE HITCH CAP
32	7114999	1	HANDLE SUPPORT BUSHING
33	7115000	1	HEX HANDLE SUPPORT BUSHI

Motor, brushes and cabinet parts

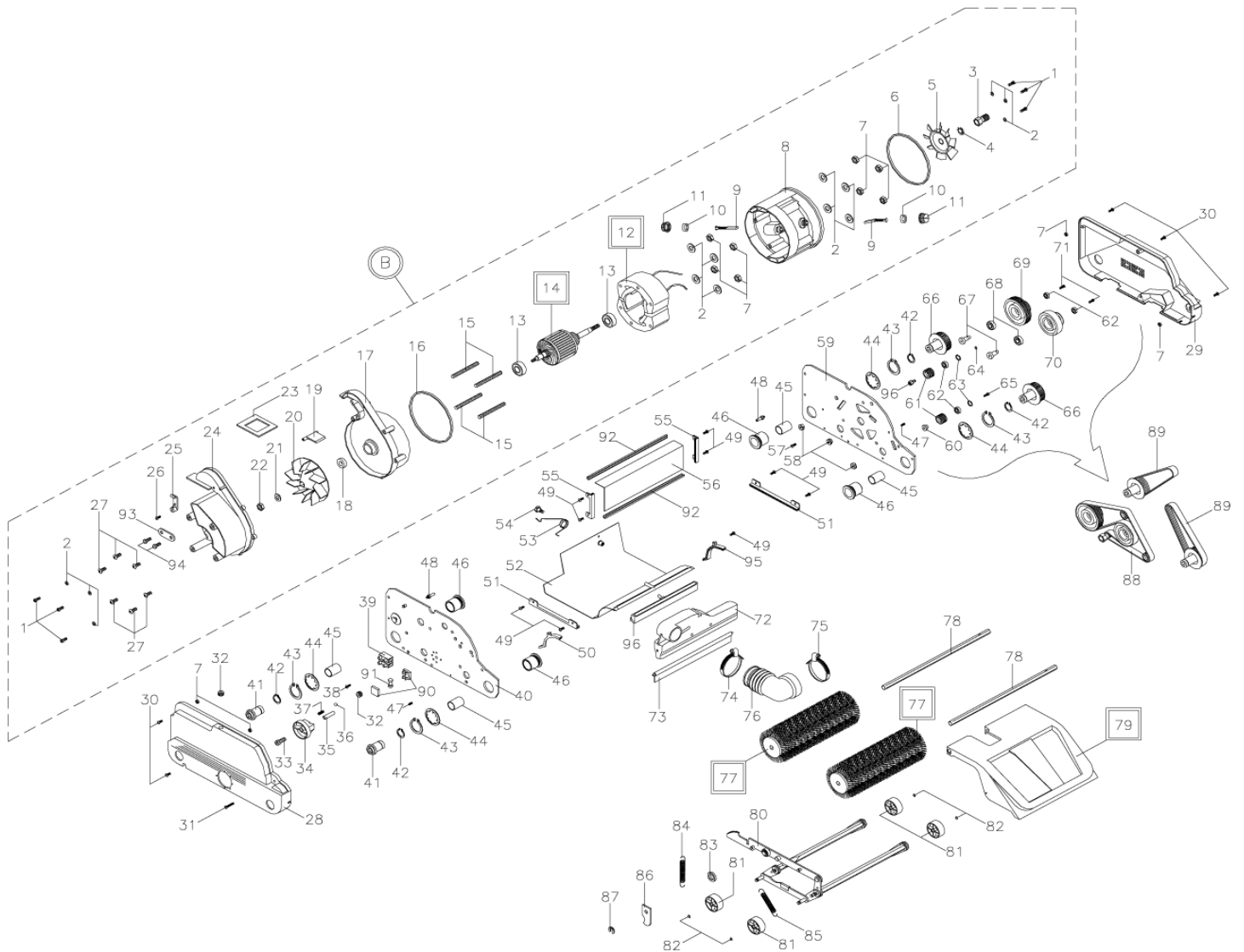
KC 12

25-01-2013

Part List ID

KC1204

5



Motor, brushes and cabinet parts

KC 12

25-01-2013

Part List ID KC12U4

6

Pos	Part no.	Qty	Description
1	7114120	6	SCREW 5X16
3	7115122	1	MOTOR SHAFT PULLEY
4	7114141	1	WASHER 12 UNI 8841
5	7114976	1	COOLING FAN
6	7115072	1	OUTER MOTOR GASKET
8	7114987	1	CHARCOAL HOLDER BODY
9	7114334	2	CHARCOAL
B	7115161	1	COMPLETE 220V MOTOR
B	7115162	1	COMPLETE 110V MOTOR
10	7115073	2	GASKET CAP
11	7114988	2	CHARCOAL HOLDER CAP
12	7115164	1	STATOR FOR MOTOR. 220 V
12	7115166	1	STATOR FOR MOTOR. 110 V
13	7114461	2	MOTOR BEARING 6201 2RS
14	7115165	1	ROTOR FOR MOTOR - 220 V
14	7115167	1	ROTOR FOR MOTOR - 110 V
15	7115109	4	PIN FOR THE MOTOR TIE-ROD
16	7115074	1	INTERNAL MOTOR GASKET
17	7115015	1	MOTOR LOCK
18	7114922	1	GASKET 12X24X7 DIN 3760
19	7115016	1	SUCTION LOCK
20	7114474	1	SUCTION FAN
21	7114896	1	WASHER. 6 UNI 8841
22	1800705	1	NUT M6 ISO 4032
23	7115075	1	CONTAINER GASKET
24	7115017	1	SUCTION PUMP COVER
25	7115089	1	SUCTION LOCKING LEVER
26	7114899	1	SELF TAPPING SCREW. 2.9X1
27	7114888	6	SELF TAPPING SCREW. 4.8X2
28	7115029	1	GREY RIGHT HAND CASING
28	7115031	1	BLACK RIGHT HAND CASING
28	7115033	1	PINK RIGHT HAND CASING
28	7115035	1	LIGHT BLUE RIGHT HAND CAS
28	7115037	1	DARK GREEN RIGHT HAND CAS
28	7115039	1	APPLE GREEN RIGHT HAND CA
29	7115030	1	GREY LEFT HAND CASING
29	7115034	1	PINK LEFT HAND CASING
29	7115036	1	LIGHT BLUE RIGHT HAND CAS
29	7115038	1	DARK GREEN LEFT HAND CASI
29	7115040	1	APPLE GREEN LEFT HAND CAS
30	7114197	5	SCREW. 5X12
31	7114890	1	SCREW. 4X16
32	7114984	2	CORE HITCH RUBBER PAD

Motor, brushes and cabinet parts

KC 12

25-01-2013

Part List ID KC12U4

7

Pos	Part no.	Qty	Description
33	7114891	1	SCREW. 5X50
34	7114977	1	HEIGHT ADJUSTING KNOB
35	7115004	1	HEIGHT ADJUSTING BUSHING
36	7114935	1	KNOB BALL. Ø 5.5
37	7115099	1	KNOB SPRING. H 22
38	7114900	1	SELF TAPPING SCREW. 2.9X
39	7114366	2	TERMINAL BOARD
40	7115146	1	ALUMINIUM RIGHT HAND SIDE
41	7115001	2	BUSHING FOR BRUSH PIVOT
42	7114208	4	OUTER SNAP RING Ø 20
43	7114207	4	OUTER SNAP RING Ø30
44	7114897	4	BELLEVILLE WASHER. Ø30
45	7115002	4	SINTERED BUSHING
46	7115003	4	BUSHING FOR SIDE PANEL
47	7114898	2	DOWEL. 5X10
48	7115110	2	CONTAINER SUPPORT PIVOT
49	7114887	9	SCREW. 4X10
50	7115135	1	RIGHT CURVED SHEET METAL
51	7115136	2	BOTTOM SHEET METAL PANEL
52	7115149	1	BOTTOM STAINLESS STEEL SH
53	7115098	1	SPRING FOR THE SUCTION TA
54	7115111	1	PIVOT FOR THE SUCTION TAN
55	7115134	2	REAR SHEET METAL PANEL SU
56	7115148	1	REAR SHEET METAL PANEL
57	7114894	1	SCREW. 5X10
58	7115079	3	FIXING NUT
59	7115147	1	ALUMINIUM LEFT HAND SIDE P
60	7115112	1	TIGHTENING PULLEY PIN
61	7115123	2	BELT TIGHTENING PULLEY
62	7114945	4	BEARING. 625 2Z
63	7114184	2	OUTER SNAP RING Ø17
64	7114885	1	OUTER SNAP RING. Ø 5
65	7114892	1	SCREW. 5X25
66	7115119	2	TOOTHED PULLEY
67	7115005	2	PULLEY SPACER
68	7114944	2	BEARING. 629 2RS
69	7115120	1	STRIPED BIG PULLEY
70	7115121	1	SMOOTH SMALL PULLEY
71	7114886	2	SCREW. 5X40
72	7115023	1	SUCTION FAN
73	7114492	1	SUCTION SYSTEM RUBBER PAD
74	7114946	1	SUCTION SYSTEM CLAMP. 33-
75	7114947	1	SUCKING SYSTEM CLAMP. 48-

Motor, brushes and cabinet parts

KC 12

25-01-2013

Part List ID
KC1204

8

Pos	Part no.	Qty	Description
76	7115094	1	RUBBER SLEEVE
77	7114568	2	BRUSH 012 GREY
77	7114569	2	BRUSH 020 BLACK
78	7115113	2	BRUSH BEARING PIVOT
79	7115026	1	BONNET -WHITE-
79	7115027	1	BONNET -BLUE-
79	7115028	1	BONNET -RED-
80	7115155	1	TROLLEY
81	7114232	4	WHEEL Ø40
82	7114895	4	OUTER SNAP RING. Ø7
84	7115100	1	TROLLEY RELEASE SPRING
85	7115101	1	TROLLEY SUPPORT SPRING
86	7115087	1	HANDLE RELEASE LEVER
87	7114893	1	10 SNAP RING
88	7114552	1	STRIPED BELT
89	7114450	2	TOOTHED BELT POLY V 150
90	7114986	1	FUSE BOX
91	7114982	1	4 A FUSE
92	7115158	1	PROTECTION KIT FOR THE RE
93	7115018	1	SUCTION SYSTEM LOCKING LE
94	7114889	1	SELF TAPPING SCREW. 2.9X
95	7115137	1	LEFT CURVED SHEET METAL P
96	7115012	1	WATER DIFFUSER