

ATTIX 200 TYPE 22

Model:
ATTIX 200 TYPE 22



Part List US-English

16-01-2013

Nilfisk
ALTO
works for you

www.nilfisk-alto.com

Ersatzteile auf www.gluesing.net

Table of Contents

ATTIX 200 TYPE 22

Frame	3
Container unit	5
Filter group	7
Cover	9
Suction unit	11
Electric board	13
Control panel	15
Absolute filter on suction part	17
L/M/H & Atex label	19

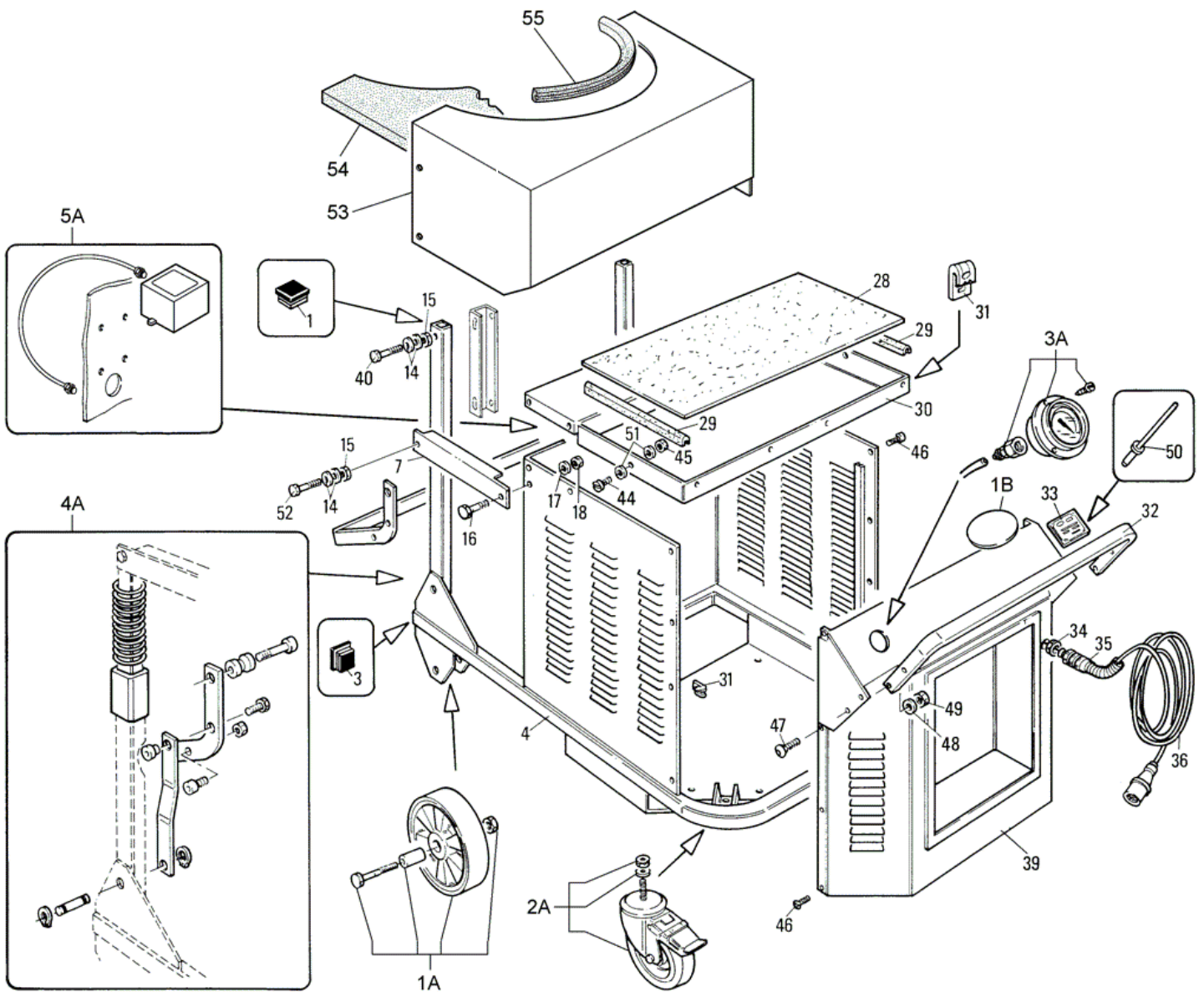
Frame

ATTIX 200 TYPE 22

16-01-2013

Part List ID
ATTIX200TP2201

3



Frame

ATTIX 200 TYPE 22

16-01-2013

Part List ID
A111X2001PZZ01

4

Pos	Part no.	Qty	Description	
1	Z8 40035	2	SQUARE PLUG 40 x 40 PVC	
3	Z8 40036	2	SQUARE PLUG 50 x 50 PVC	
4	4083600531	1	TROLLEY 3707/3907 RAL 5005	
7	4081801001	2	REINF. SPACER RAL 5005	
14		8	NOTE COMMENT	Washer D.10 UNI 6592 DIN 433
15		4	NOTE COMMENT	Nut M10 UNI 5588 DIN 934
16		2	NOTE COMMENT	Screw M10x25 UNI 5739 DIN 933
17		2	NOTE COMMENT	Washer D.10x30 UNI 6593 DIN 9021
18		2	NOTE COMMENT	Nut M10 UNI 7474 DIN 985
1A	40000543	1	KIT FIX ANTISTATIC CASTOR D200	
1B	40000756	1	LABEL KIT	
28	Z8 17105	1	ACCESSORIES BELT MOD.3707	
29	40000766	1	SEAL	
2A	40000641	1	KIT ANTIST. REV. CASTOR D200	
30	4081600454	1	TANK PA M.3707 RAL 5005	
31	Z8 40037	20	FASTENER FOR SELF-THREADING.D6	
32	Z8 18147	1	HANDLE MOD.3707/3907	
33	4081700875	1	THREEPHASE PLATE NILFISK ALTO Z22	
34	Z8 39569	1	METAL RING NUT PG21	
35	Z8 39099	1	CABLE GLAND PG21 PA SPRING	
36	4083901291	1	CABLE SUP. 4G4 NE. SP32A 5PP 9M	
39	4083500158	1	MOBILE CARTER 3707 RAL 5005	
3A	40000309	1	KIT VACUUM GAUGE 3500	
40		2	NOTE COMMENT	Screw M10x55 UNI 5739 DIN 933
44		4	NOTE COMMENT	Screw M6x16 UNI 7687 DIN 7985
45		4	NOTE COMMENT	Nut M6 UNI 7474 DIN 985
46		20	NOTE COMMENT	Screw D.6,3x16 UNI 6954 DIN 7981
47		4	NOTE COMMENT	Screw M8x45 UNI 5931 DIN 912
48		4	NOTE COMMENT	Washer D.8x24 UNI 6593 DIN 9021
49		4	NOTE COMMENT	Nut M8 UNI 7474 DIN 985
4A	40000576	1	KIT RELEASE LEVER	
50		4	NOTE COMMENT	Rivet D.2,9x7 DIN 7337
51		4	NOTE COMMENT	Washer D.6 UNI 6592 DIN 433
52		2	NOTE COMMENT	Screw M10x60 UNI 5739 DIN 933
53	4081200410	1	B1 DIFFUSER M.3707 RAL5005	
54	Z8 17378	1	KIT SOUNDPROOF MOD.3707 B1	
55	40000766	1	SEAL	
5A	40000746	1	ALARM KIT	

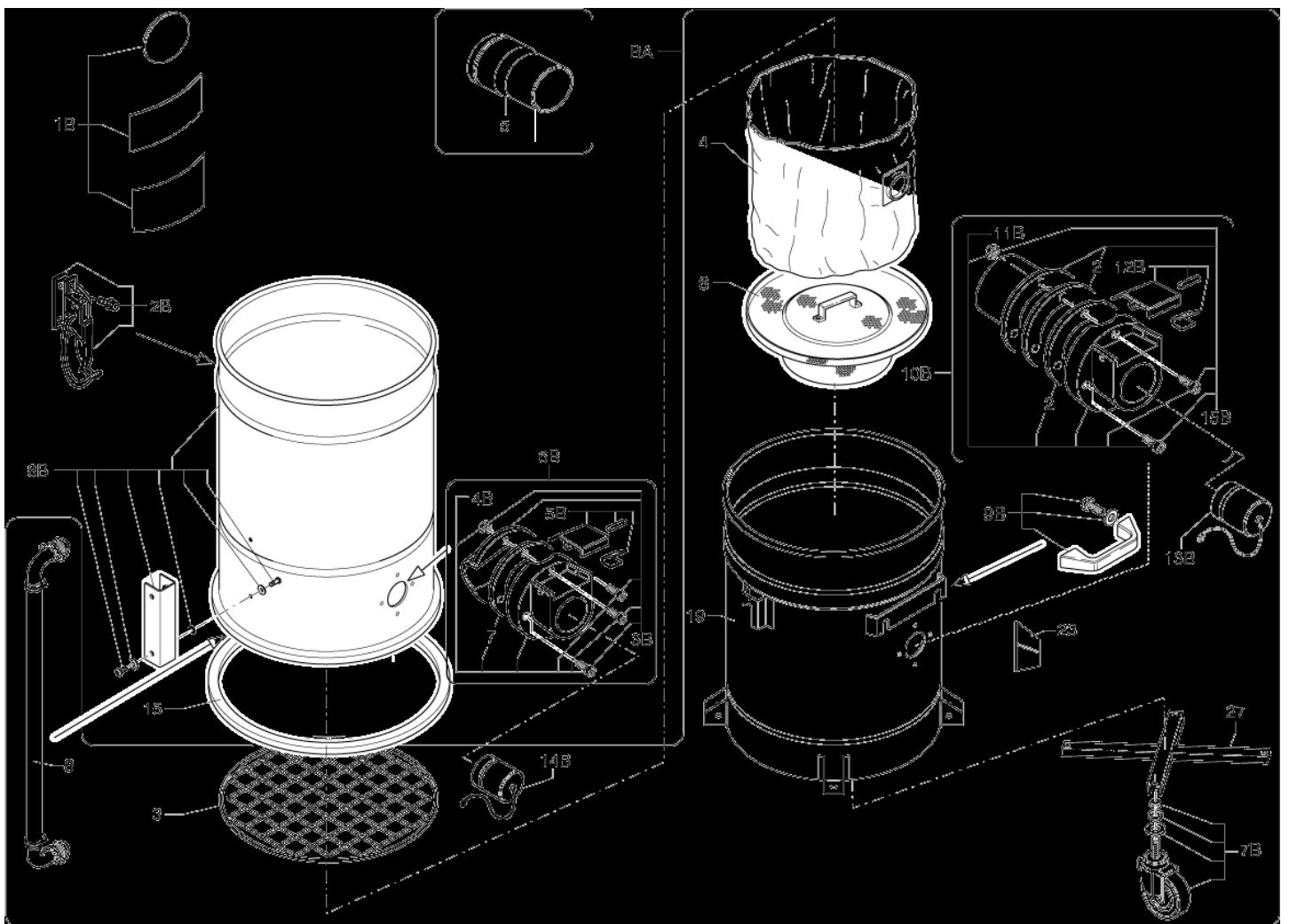
Container unit

ATTIX 200 TYPE 22

16-01-2013

Part List ID
ATTIX200TP2203

5



Container unit

ATTIX 200 TYPE 22

16-01-2013

Part List ID
ATTIX2001PZZ03

6

Pos	Part no.	Qty	Description
2	Z8 17006	2	INLET SEAL D70
3	32400570	1	GRID .SUPERIOR
4	Z8 40832	1	DUST SAFE BAG SYSTEM D.460 ANTISTATIC
5	Z7 21001	1	CONNECTION TUBE D70 STEEL
6	Z8 31251	1	CONTAINER GRID D560 INOX
7	Z8 17056	1	INLET SEAL D100
8	Z5 60228	1	TUBE DEPRESSOR D.560
15	40000767	1	SEAL
19	4083000404	1	CONTAINER D560 L175 LINK FOR PAPER BAG
1B	40000756	1	LABEL KIT
23	Z8 17021	4	BUMPER WHEEL HOLDER
27	Z8 36109	1	CONTAINER REINFORCEMENT D560
2B	40000674	4	COVER CLOSING KIT
3B	40000582	1	KIT DEFLECTOR D100
4B	40000637	1	NYPLOY KIT INLET D100
5B	40000345	1	KIT PUSHBUTTON FOR INLET D70
6B	40000638	1	NYPLOY KIT COMPLETE INLET D100
7B	40000577	1	KIT WHEELS FOR CONTAINER
8B	40000639	1	KIT FILTER CHAMBER D560
9B	40000340	1	KIT HANDLE INOX
BA	4056000410	1	KIT SAFE BAG SYSTEM D560 SS
10B	40000734	1	D70 STAINLESS STEEL INLET KIT FOR
11B	40000344	1	KIT INLET INOX D70
12B	40000345	1	KIT PUSHBUTTON FOR INLET D70
13B	Z7 21072	1	PLUG X INLET D70 INOX COMPLETE
14B	Z7 21066	1	PLUG X INLET D100 INOX
15B	40000733	1	BAG CONNECTION D70 STAINLESS STEEL

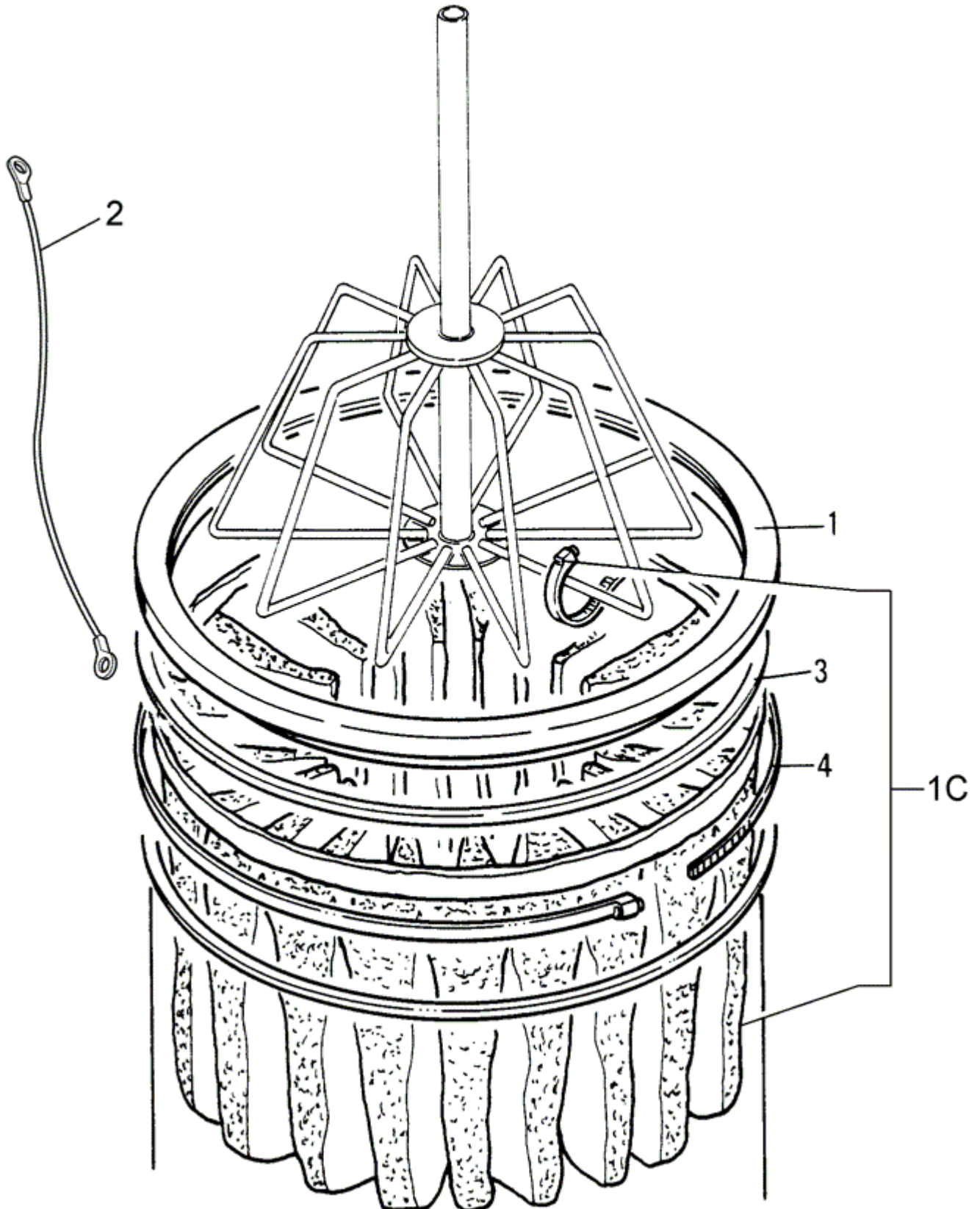
Filter group

ATTIX 200 TYPE 22

16-01-2013

Part List ID
ATTIX200TP2205

7



Filter group

ATTIX 200 TYPE 22

16-01-2013

Part List ID
A111X2001P2205

8

Pos	Part no.	Qty	Description
1	Z8 17027	1	FILTER SEAL D560 BLACK
2	Z8 39668	1	CABLE EARTH MM 500
3	Z8 15005	1	FILTER HOLDER RING D560 FE
4	Z8 18081	1	FILTER BLOCK TIE D560
1C	40000755	1	STAR FILTER KIT M CLASS D560

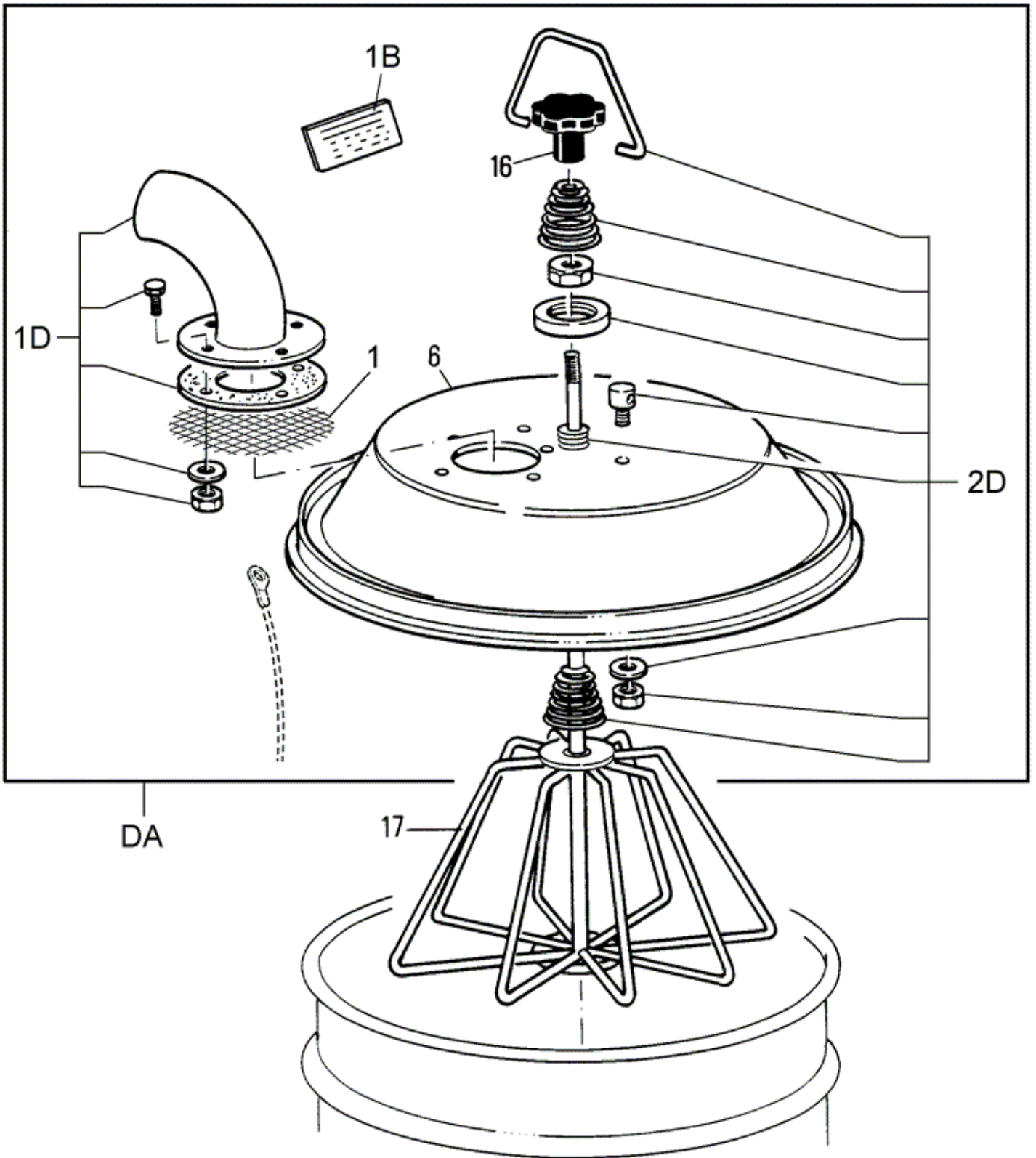
Cover

ATTIX 200 TYPE 22

16-01-2013

Part List ID
ATTIX200TP2207

9



Cover

ATTIX 200 TYPE 22

16-01-2013

Part List ID
A I I X 2 0 0 1 P 2 2 0 /

10

Pos	Part no.	Qty	Description
1	Z8 13123	1	NET D150 MESH 6x6
6	4083100732	1	COVER D560 D100 RAL 9005
16	Z8 40027	1	KNOB D70 M12 NO HOLE
17	Z8 33073	1	STAR CAGE D560 FE
1D	40000585	1	KIT CAP COUPLING D100 FL150
2D	40000313	1	KIT FILTER SHAKER FE
DA	4083100733	1	COVER COMPL. D560 RAL 9005

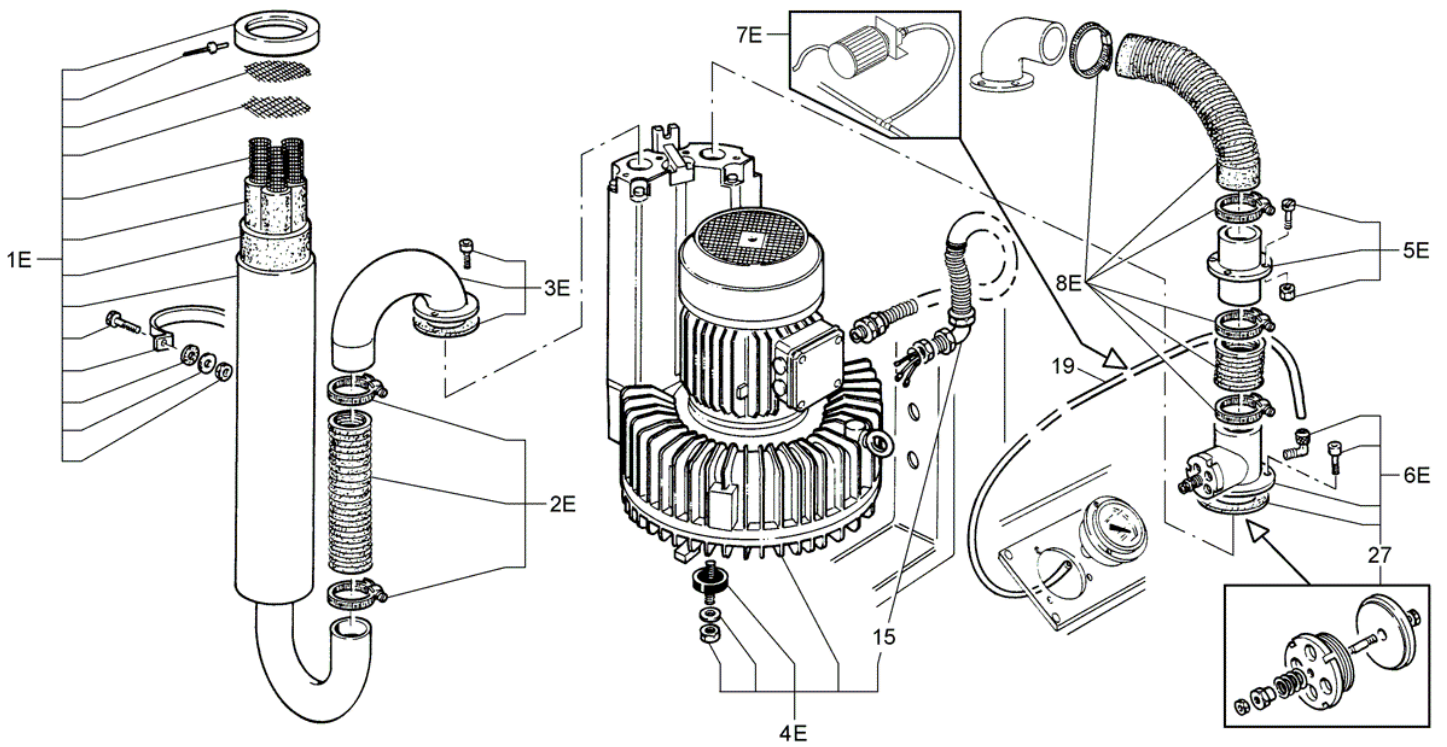
Suction unit

ATTIX 200 TYPE 22

16-01-2013

Part List ID
ATTIX200TP2209

11



Suction unit

ATTIX 200 TYPE 22

16-01-2013

Part List ID
ATTIX2001PZZ09

12

Pos	Part no.	Qty	Description
15	Z8 39127	1	CABLE CONN.MOT. 7G4 FROR
19	40000768	1	TUBE
1E	40000586	1	KIT SILENCER D150
27	Z8 34025	1	RELIEF VALVE 3
2E	40000643	1	KIT BLOWING TUBE
3E	40000599	1	KIT BLOWING CONNECTION D70
4E	40000600	1	SUCTION UNIT KIT
5E	40000602	1	D100-100 MOBILE CONNECTION FITTING KIT
6E	40000601	1	KIT SUCTION CONNECTION D100
7E	40000747	1	ATTIX PRESSURE GAUGE KIT
8E	40000757	1	KIT SUCTION TUBE

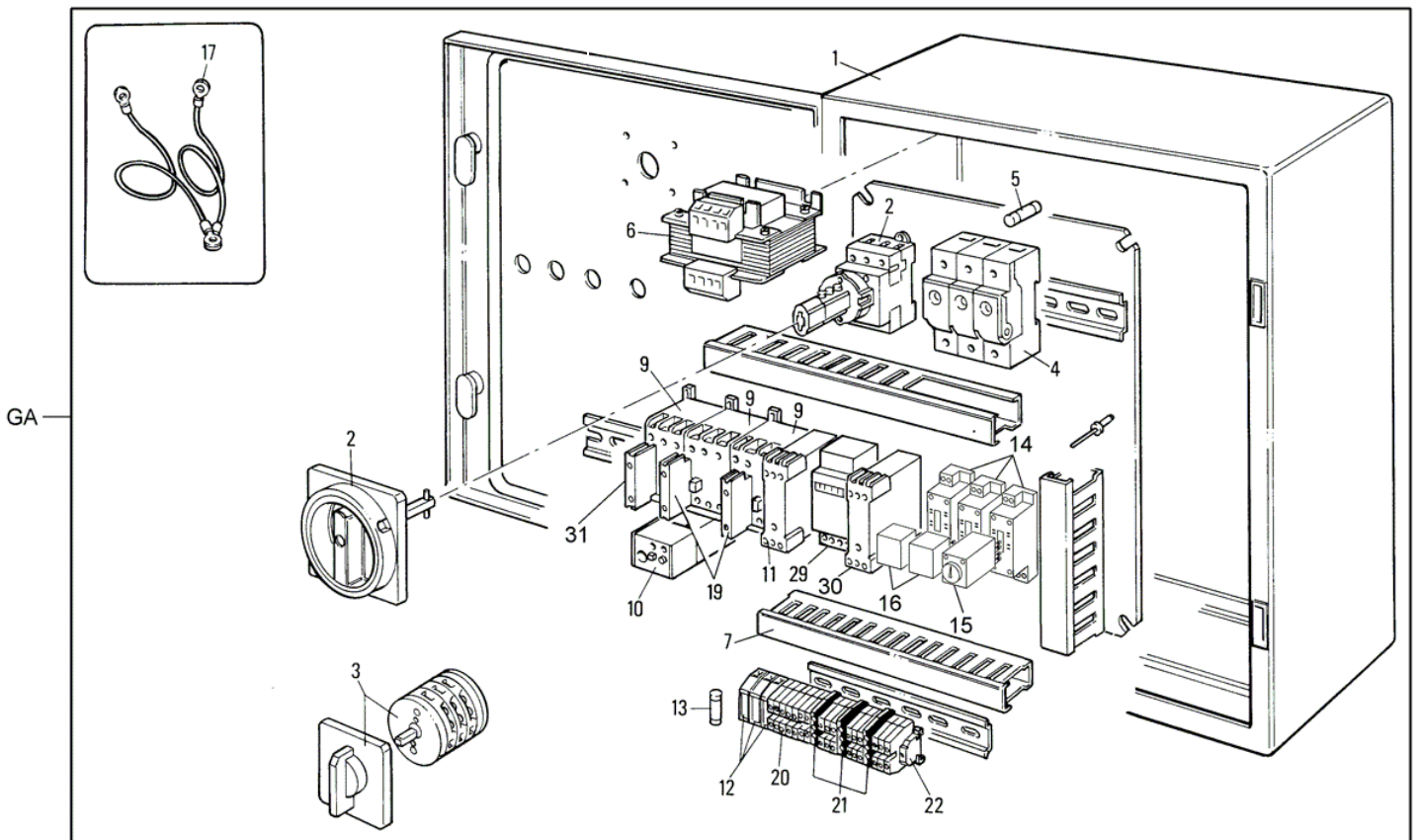
Electric board

ATTIX 200 TYPE 22

16-01-2013

Part List ID
ATTIX200TP2211

13



Electric board

ATTIX 200 TYPE 22

16-01-2013

Part List ID
A I I X 2 0 0 1 P 2 Z 1 1

14

Pos	Part no.	Qty	Description
1	Z8 39701	1	CASE 400x500x200 IP65 DRILLED DRW.
2	Z8 39556	1	MAIN SWITCH 32A IP65 S
3	Z8 39557	1	REVERSER COMP. 32 A IP65 BRM
4	Z8 39106	1	FUSE HOLDER 63A 3P D02
5	Z8 39116	3	FUSE 35A D02
6	Z8 391051	1	TRANSFORMER 63VA 400-230/24V FUSE AT SEC
9	Z8 39102	3	CONTACTOR KW11 24VAC SIRIUS S0
10	Z8 39101	1	THERMAL 7-10 A SIRIUS S0
11	Z8 39119	1	TIMER S/T 0-60 SEC. 24-110-230V
12	Z8 39244	2	TERMINAL FUSEHOLDER 1.5mmq S 5X20
13	Z8 39539	2	FUSE 2A 5x20 GLASS RAPID
14	Z8 39118	3	BASE x RELAY 2 EXCHANGES PYF
15	Z58 39415	1	TIMER 1S-10MIN 24VAC H3Y2 2 EXCHANGES
16	Z8 39259	2	RELAY 24VAC 2 EXCHANGES MY2
17	Z8 39590	1	KIT EARTH CABLE 3707/3907
19	Z8 39367	2	CONTACT AUX CONTACTOR NC SIRIUS S2-S12
20	Z8 39120	15	TERMINAL LINE 6MMQ S
21	Z8 39121	4	TERMINAL EARTH 6MMQ S
22	Z8 39296	2	TERMINAL STOP x GUIDE 35mm S
29	Z8 39693	1	HOURS COUNTER TO GUIDE 24VAC
30	Z8 391120	1	RELAY PHASE SEQUENCE 180-600V
31	Z8 39366	1	CONTACT AUX CONTACTOR NO SIRIUS S2-S12
GA	Z8 41225	1	E.B. KW7,5 S/T SF

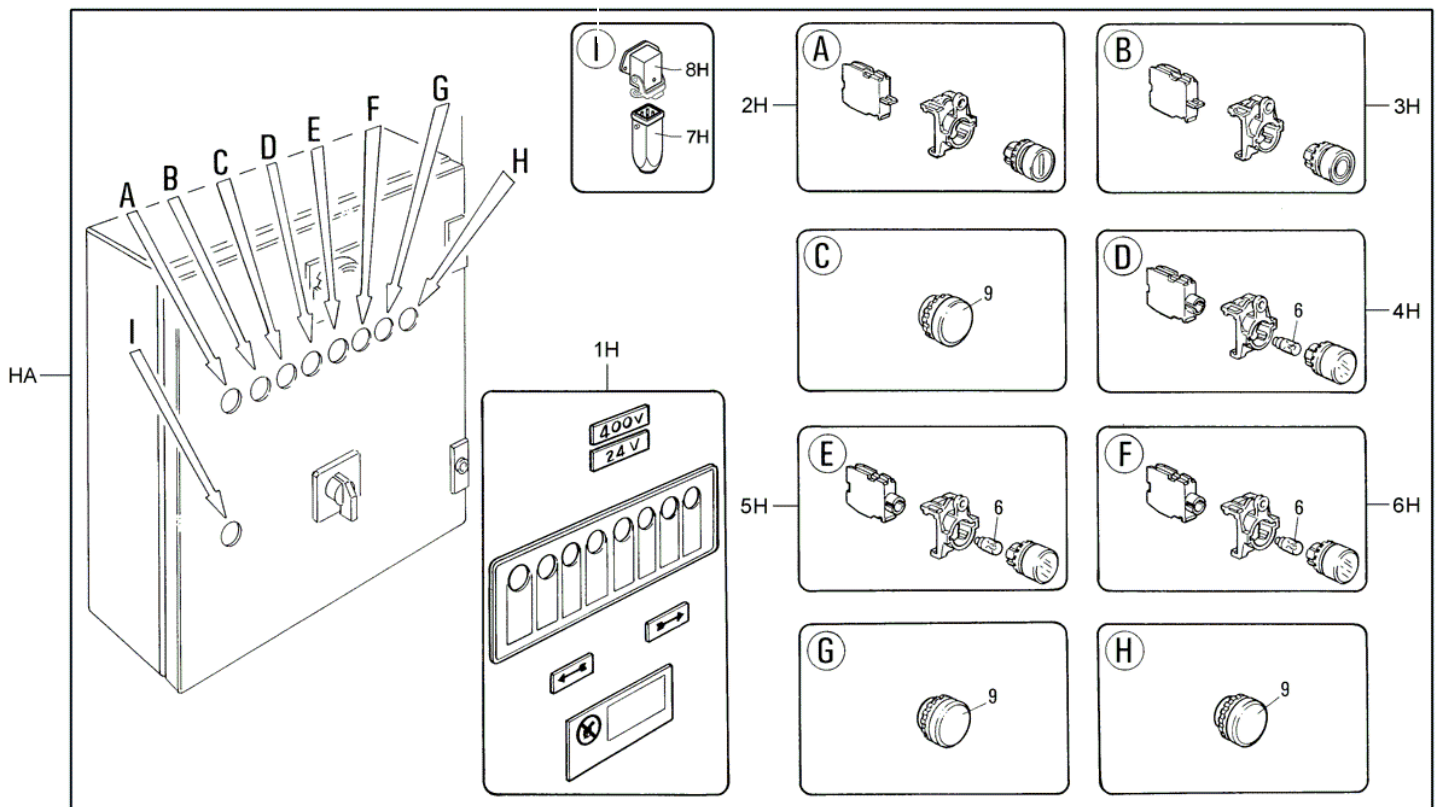
Control panel

ATTIX 200 TYPE 22

16-01-2013

Part List ID
ATTIX200TP2213

15



Control panel

ATTIX 200 TYPE 22

16-01-2013

Part List ID
A I I X 2 0 0 1 P 2 2 1 3

16

Pos	Part no.	Qty	Description
6	Z8 39114	3	LAMP BA9 V24
9	Z8 39522	3	PLUG BLIND CONTROL PLATE D22
1H	40000597	1	ELECTRIC BOARD LABELS KIT
2H	40000593	1	GREEN BUTTON KIT
3H	40000594	1	RED BUTTON KIT
4H	40000595	1	WHITE INDICATOR KIT
5H	40000596	1	RED INDICATOR KIT
6H	40000564	1	YELLOW INDICATOR KIT
7H	40000759	1	INLET CONNECTION KIT
8H	40000745	1	INLET PLUG KIT
HA	Z8 41225	1	E.B. KW7,5 S/T SF

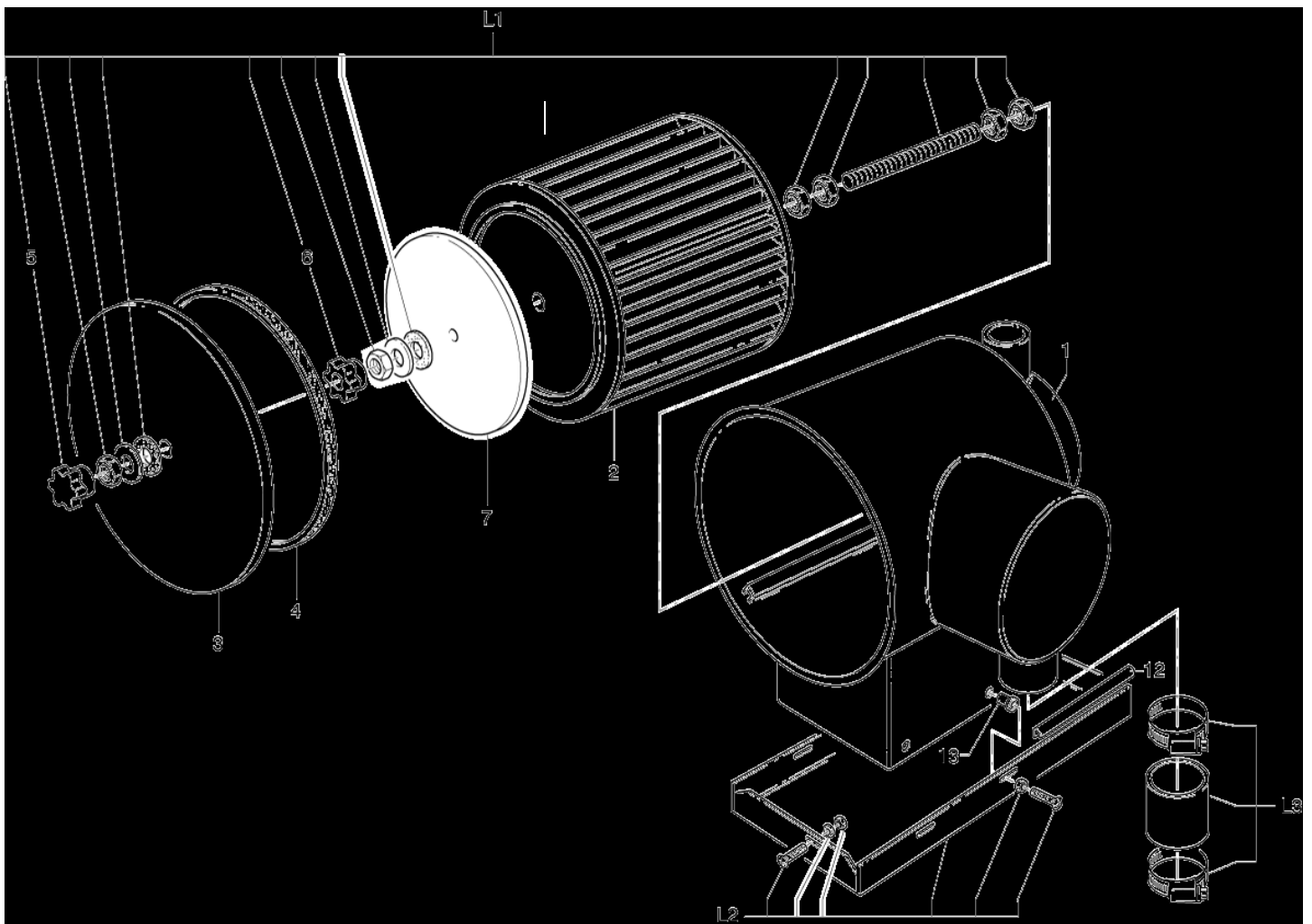
Absolute filter on suction part

ATTIX 200 TYPE 22

16-01-2013

Part List ID
ATTIX200TP2215

17



Absolute filter on suction part

ATTIX 200 TYPE 22

16-01-2013

Part List ID
A I I X 2 0 0 1 P 2 2 1 5

18

Pos	Part no.	Qty	Description
1	4083000394	1	CONTAINER AB.FIL.K1 3707 RAL5005 FROM 8
2	Z8 17264	1	ABSOLUTE FILTER D410 x 400 H14
3	4081200414	1	COVER FOR CONTAINER AB.FILTER RAL5005
4	40000769	1	SEAL
5	Z8 40576	1	KNOB D60 M10 NO HOLE
6	Z8 40030	1	KNOB D60 M10 THROUGH x FIXED SUCKER
7	Z8 15168	1	DISC FIXING ABS.FILTER 127
13	Z8 38036	4	THREADED INSERT M6
L1	40000758	1	ABSOLUTE FILTER ASSEMBLY KIT MOD. ATTIX
L2	40000760	1	BASIC KIT FOR ABSOLUTE FILTER
L3	40000761	1	CONNECTION HOSE KIT

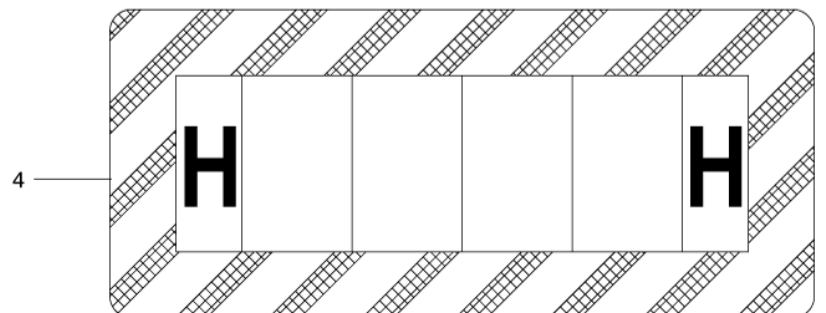
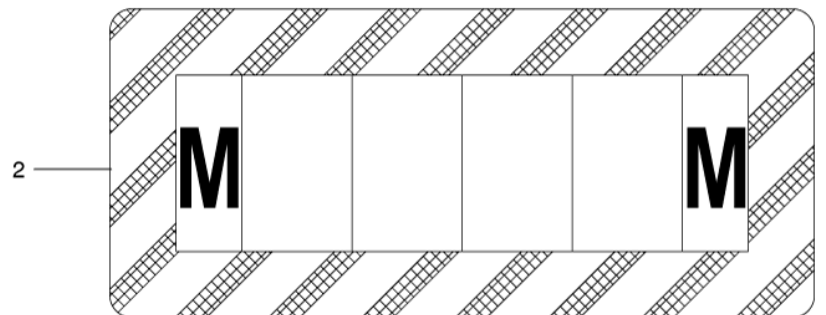
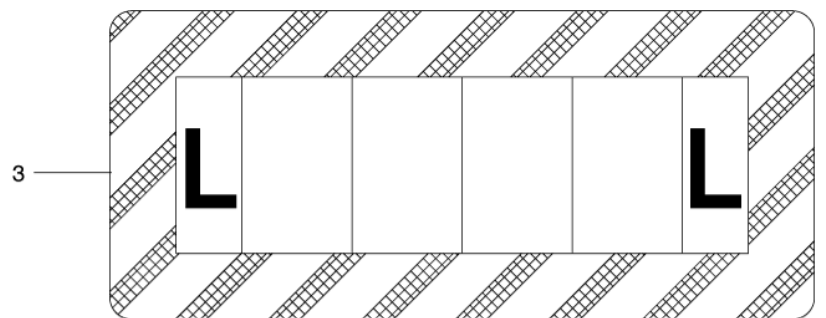
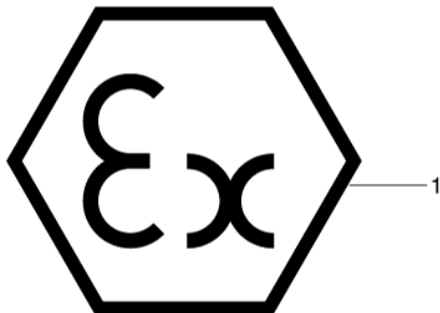
L/M/H & Atex label

ATTIX 200 TYPE 22

16-01-2013

Part List ID
ATTIX200TP2217

19



L/M/H & Atex label

ATTIX 200 TYPE 22

16-01-2013

Part List ID
A I I X 2 0 0 1 P 2 2 1 /

20

Pos	Part no.	Qty	Description	
1		1	NOTE COMMENT	Is not used in this model
2	Z8 17551	1	LABEL CATEGORY M	
3		1	NOTE COMMENT	Is not used in this model
4	z8 17552	1	LABEL CATEGORY H	