

# COMPACT 300

---

Model:  
COMPACT 300



Part List US-English

21-01-2013

**Nilfisk**  
**ALTO**  
works for you

[www.nilfisk-alto.com](http://www.nilfisk-alto.com)

Ersatzteile auf [www.gluesing.net](http://www.gluesing.net)

# Table of Contents

COMPACT 300

<b>Cabinet</b>	<b>3</b>
<b>Motor pump unit</b>	<b>5</b>

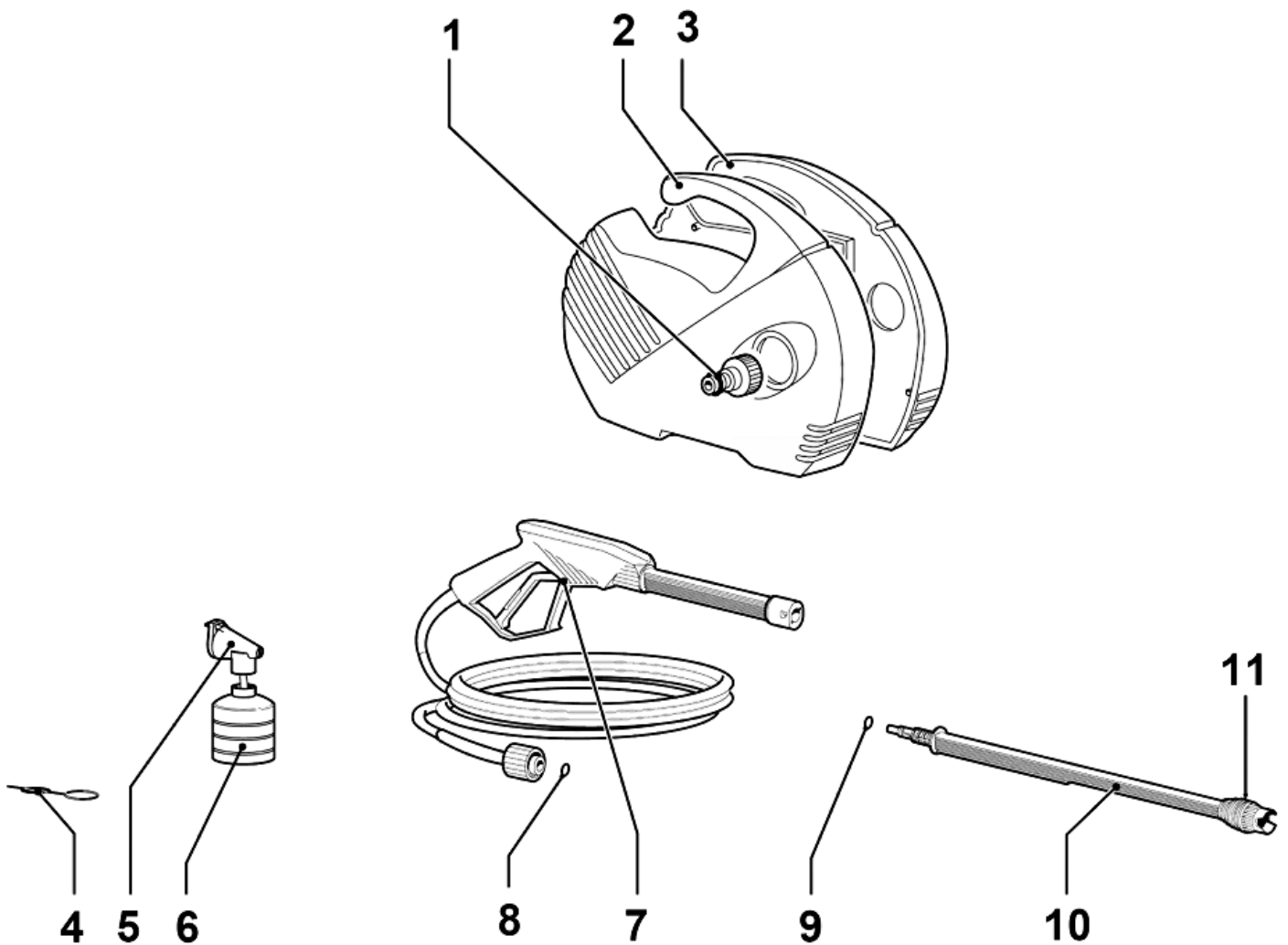
# Cabinet

COMPACT 300

21-01-2013

Part List ID  
COMP30002

3



# Cabinet

## COMPACT 300

21-01-2013

Part List ID  
COMP30002

4

Pos	Part no.	Qty	Description
1	1402809	1	QUICK COUPLING MALE
2	106481025	1	SD INLET HOUSING
3	106481026	1	SD OUTLET HOUSING
4	6520844	1	CLEANING TOOL BLACK
5	106481027	1	FOAM SPRAYER
6	106481028	1	FOAM SPRAYER BOTTLE
7	106481029	1	SPRAY HANDLE W. 4M HOSE
8	3001211	1	O-RING 9.6X2.4 NITRIL 70SH
8	6411218	1	BAG WITH 10 O-RINGS 3001211
9	3001484	1	O-RING 11X2 VITON
10	106481030	1	LANCE
11	3004230	1	O-RING 22.22X2.62 NITRIL 70 SH

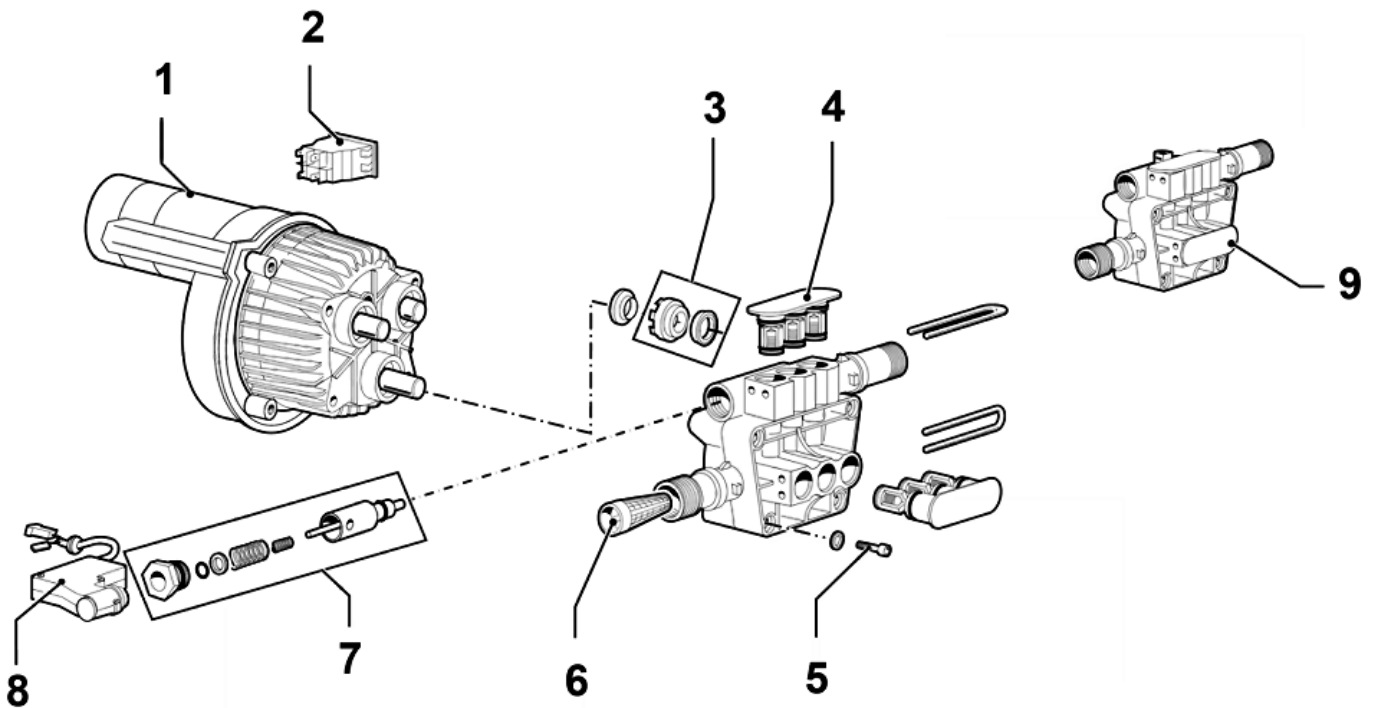
# Motor pump unit

COMPACT 300

21-01-2013

Part List ID  
COMP30004

5



# Motor pump unit

## COMPACT 300

21-01-2013

Part List ID  
COMP30004

6

Pos	Part no.	Qty	Description
1	106481039	1	MOTOR W. CYLINDER BLOCK
2	6481010	1	PUSHBUTTON SWITCH
3	106481036	1	REP. KIT -X3
4	106481037	2	SUCTION VALVES/PRESSURE V
5	1814649	4	HEXAGON SOCKET HEAD CAP S
6	6481094	1	STRAINER
7	106481038	1	REPAIRKIT S/S VALVE COMPA
8	6481091	1	MICRO SWITCH S/S
9	106481044	1	CYLINDER HEAD. COMPL.