

ECO15 AND ECO15UK

Model:
ECO 15



Part List US-English

18-10-2012



www.vipercleaning.com

Ersatzteile auf www.gluesing.net

Table of Contents

ECO15 AND ECO15UK

Overview	3
Accessories	5
Wiring - Wear and Tear parts	7

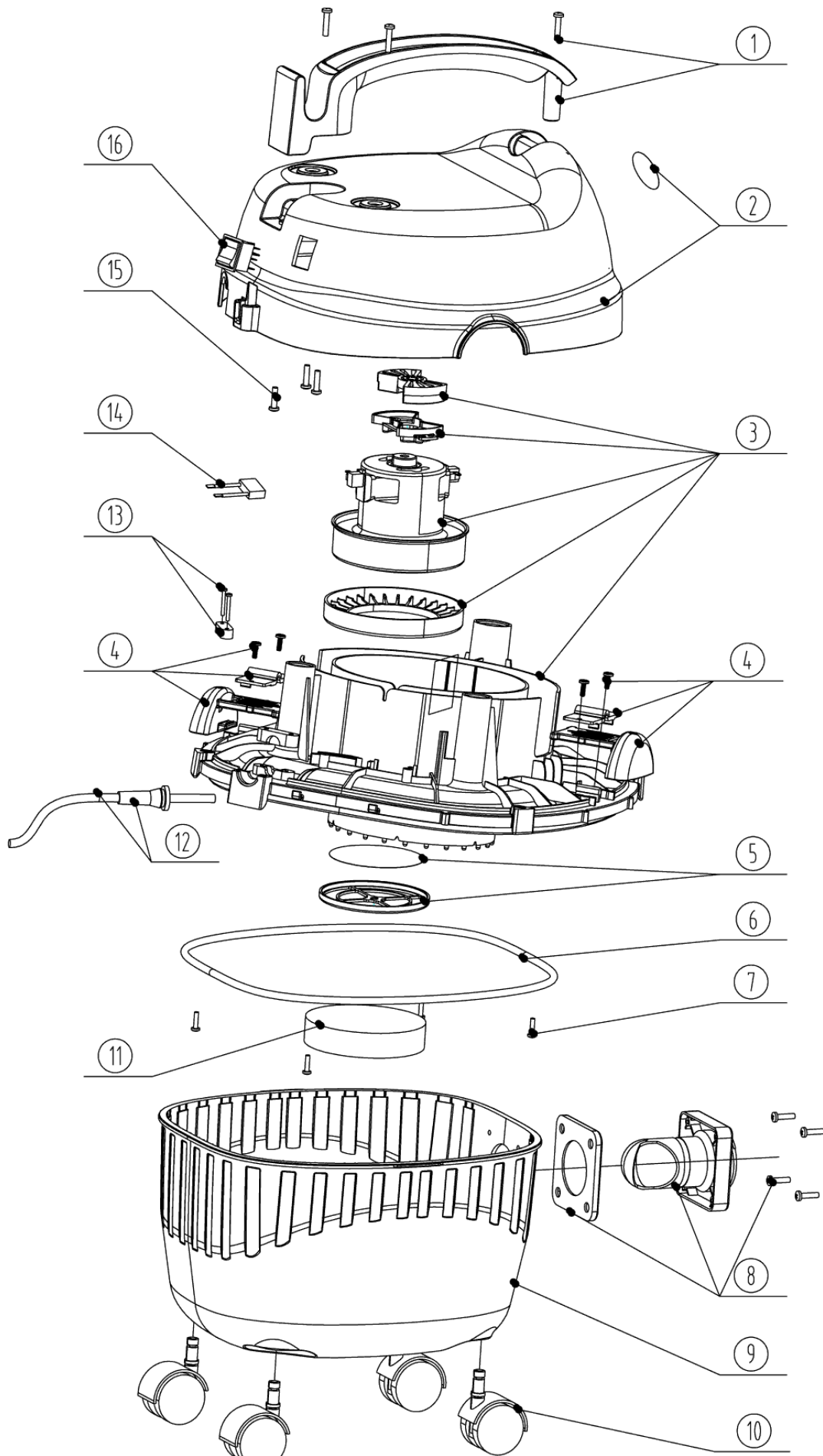
Overview

ECO15 AND ECO15UK

18-10-2012

Part List ID
ECO1502

3



Ersatzteile auf www.gluesing.net

Overview

ECO15 AND ECO15UK

18-10-2012

Part List ID
ECO1502

4

Pos	Part no.	Qty	Description
1	VA66072	1	HANDLE KIT INCL HANDLE AND SCREW
2	VA66073	1	COVER KIT INCL COVER AND LOGO
3	VA66074	1	MOTOR KIT INCL GASKET MOTOR MOUNTING BAS
4	VA66075	2	DRAWER LOCK KIT INCL LOCK BRACKET SCREW
5	SP-VA66069	1	DUST FIITER ASSEMBLY
6	MFIL663	1	RUBBER SEALING CIRCLE
7	VF14116	4	SCREW PAN HEAD ST4X16
8	VA66076	1	SUCTION BASE KIT INCL INTAKE GASKET SCRE
9	VA66014	1	15L DUST TANK
10	GV11140	4	CASTER Ø 40
11	VA66010	1	AIR FILTER SPONGE
12	VA66060	1	ECO15 EUROPEAN POWER CORD
12	VA66061	1	ECO15 BRITISH POWER CORD
13	VA21517A	1	CLAMP BLOCK INCLSCREW
14	VA66040	1	CAPACITANCE ASSEMBLY 0.22UFKX2 250V-275V
15	GT13004	3	SCREW PAN HEAD ST5X20
16	VA60118-010	1	SWITCH

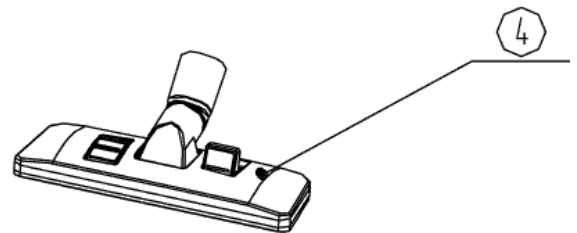
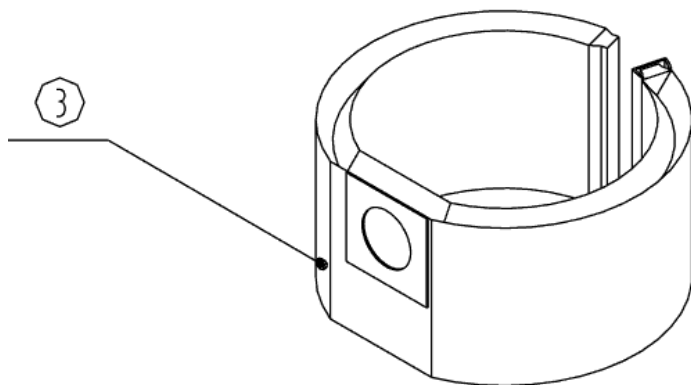
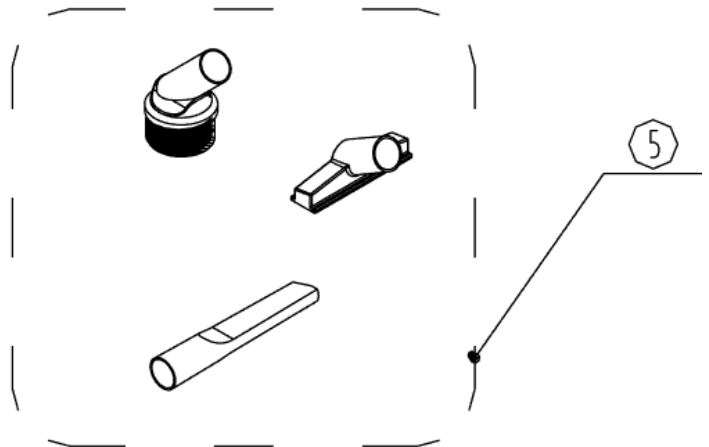
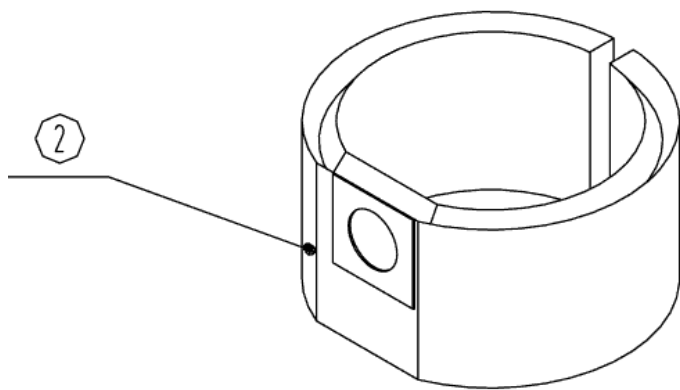
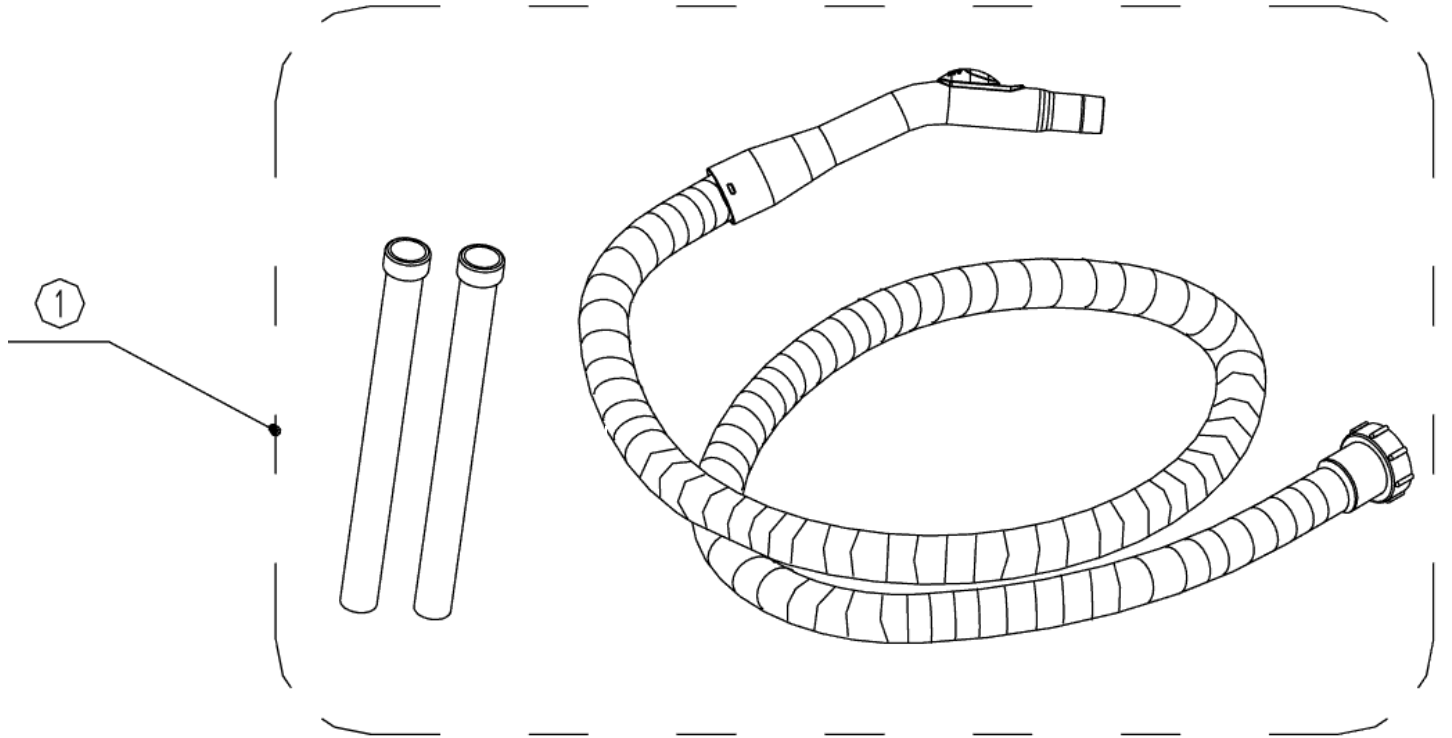
Accessories

ECO15 AND ECO15UK

18-10-2012

Part List ID
ECO1504

5



Accessories

ECO15 AND ECO15UK

18-10-2012

Part List ID
ECO1504

6

Pos	Part no.	Qty	Description
1	VA66063	1	38MM SUCTION HOSE ASSEMBLY
1	VA66064	1	32MM SUCTION HOSE ASSEMBLY
2	VA66021P10	1	15L PAPER DUST BAG X10
3	VA66022P10	1	15L CLOTH DUST BAG X10
4	VA66065	1	38MM COMBINATION TOOL ASSEMBLY
4	VA66071	1	32MM COMBINATION TOOL ASSEMBLY
5	VA66066	1	38MM ACCESSORIES
5	VA66067	1	32MM ACCESSORIES

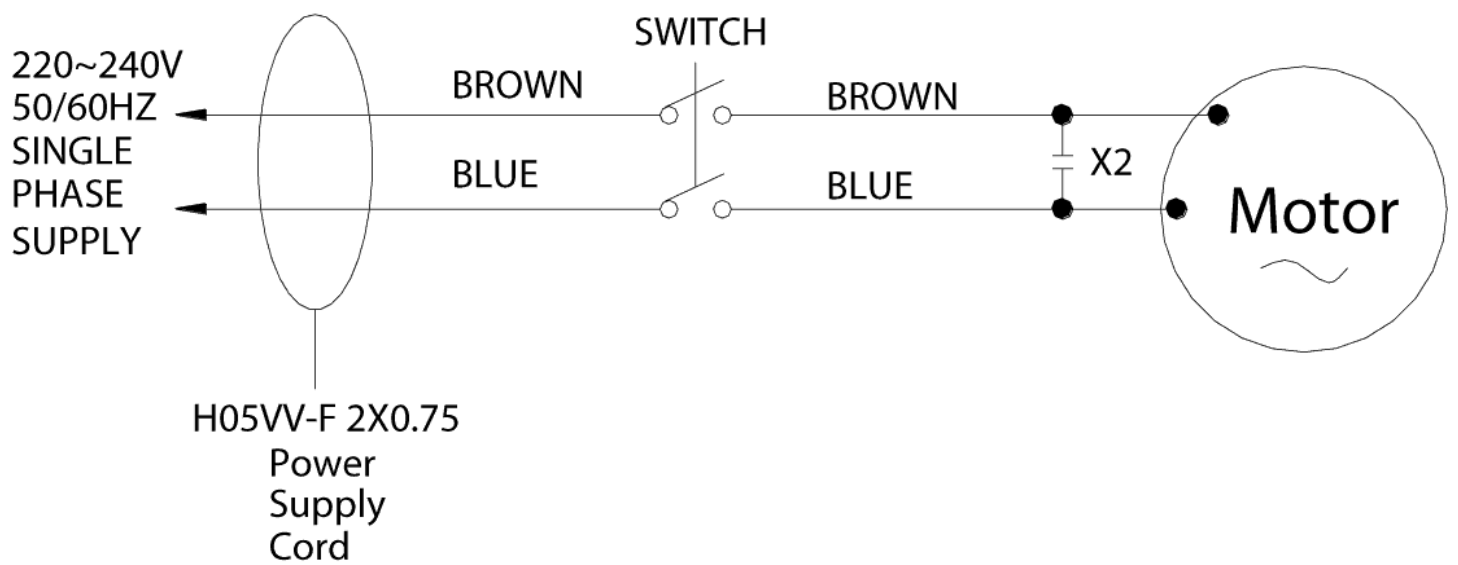
Wiring - Wear and Tear parts

ECO15 AND ECO15UK

18-10-2012

Part List ID
ECO1506

7



Wiring - Wear and Tear parts

ECO15 AND ECO15UK

18-10-2012

Part List ID
ECO1506

8

Pos	Part no.	Qty	Description
0	VA60118	1	SWITCH
1	VA60118-010	1	SWITCH
2	VA66060	1	ECO15 EUROPEAN POWER CORD
3	VA66061	1	ECO15 BRITISH POWER CORD
4	VA66063	1	38MM SUCTION HOSE ASSEMBLY
5	VA66064	1	32MM SUCTION HOSE ASSEMBLY
6	VA66075	2	DRAWER LOCK KIT INCL LOCK BRACKET SCREW
7	VA66021P10	1	15L PAPER DUST BAG X10
8	VA66066	1	38MM ACCESSORIES
9	VA66067	1	32MM ACCESSORIES