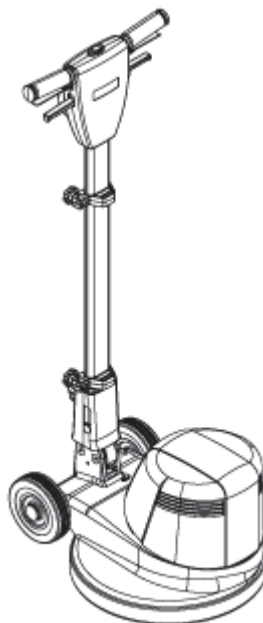


SPINTEC 443 H

Model:
SPINTEC 443 H
SPINTEC 443 H FR



Part List US-English

01-09-2012

Nilfisk
ALTO
works for you

www.nilfisk-alto.com

Ersatzteile auf www.gluesing.net

Table of Contents

SPINTEC 443 H

| | |
|---|-----------|
| Base system SPINTEC 443 H | 3 |
| Handle system | 5 |
| Wiring and recommended spare parts | 7 |
| Brush selector guide | 10 |
| Accessories | 12 |
| Solution tank kit 10104A | 14 |
| Foam generator kit 11294A | 16 |
| Spray buff kit 11295A | 18 |
| Dust collection kit 56381571 | 20 |

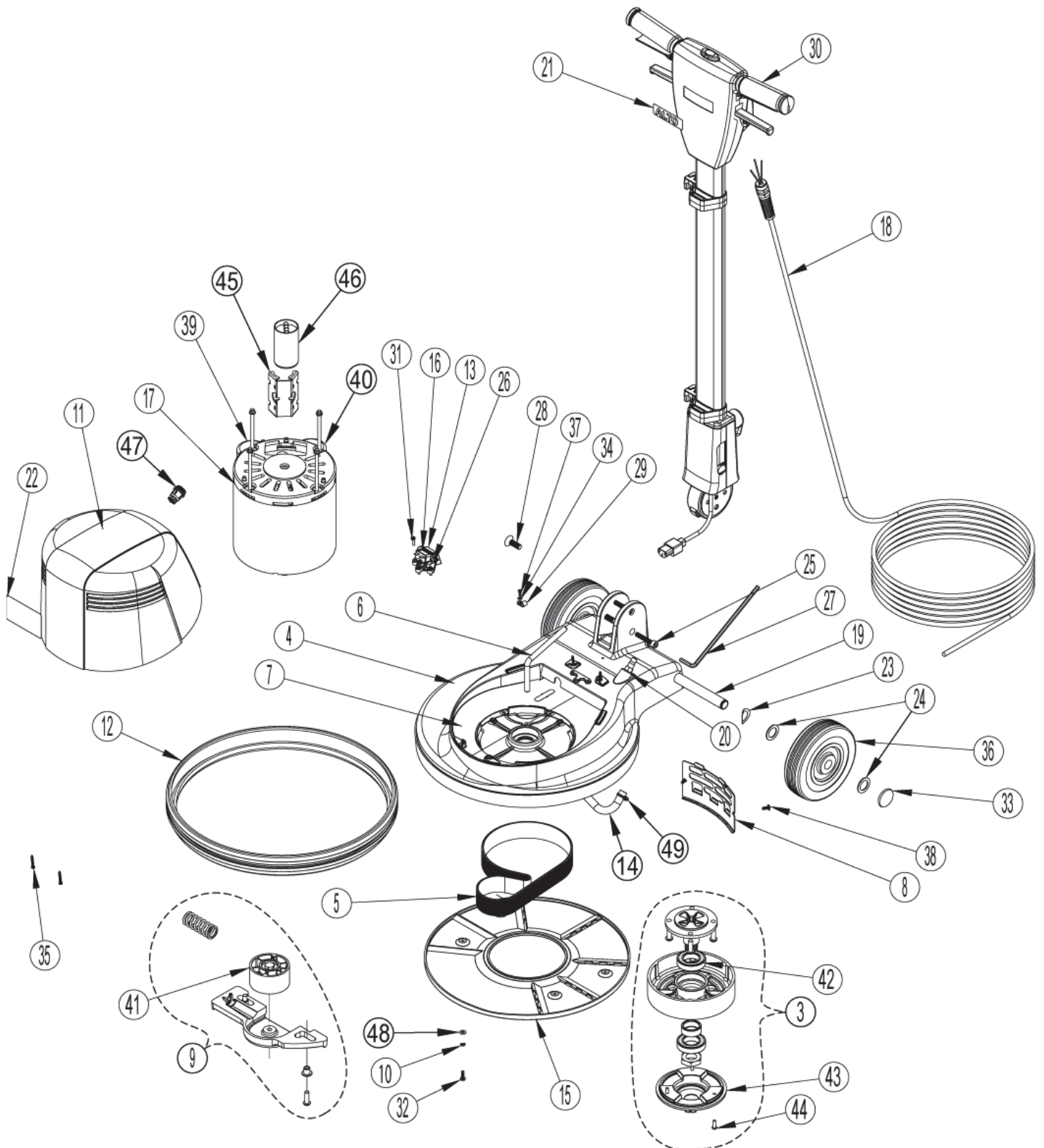
Base system SPINTEC 443 H

SPINTEC 443 H

01-09-2012

Part List ID
SPINTEC44304

3



Ersatzteile auf www.gluesing.net

Base system SPINTEC 443 H

SPINTEC 443 H

01-09-2012

Part List ID
SPIN I EC:44304

4

| Pos | Part no. | Qty | Description | |
|-----|----------|-----|------------------------------------|-----------------------------|
| 3 | 56380089 | 1 | SPINDLE ASM | |
| 4 | 56380096 | 1 | MAINFRAME NILFISK ALTO 443 H | |
| 5 | 56380104 | 1 | BELT POLY V 838 PJ16 | |
| 7 | 56381565 | 1 | COOLING PLATE | |
| 8 | 56381566 | 1 | BACK COVER | |
| 9 | 56381579 | 1 | BELT TENSION ASM | |
| 12 | 30272A | 1 | BUMPER | |
| 17 | 40260A | 1 | MOTOR HIGH SPEED | |
| 18 | 40249A | 1 | CORD POWER UK | UK |
| 18 | 40268A | 1 | CORD POWER | |
| 19 | 61956A | 1 | SHAFT WHEEL | |
| 38 | GT13054 | 2 | SCREW PAN HEAD M5X12 | |
| 39 | VF999848 | 1 | RUN CAPACITOR 23F/500V | |
| 40 | GT17003 | 1 | CAPACITOR | |
| 41 | 56380090 | 1 | FLAT IDLER ASM | |
| 42 | VF14061 | 1 | BEARING 6006 | |
| 43 | 56380099 | 1 | DRIVER | |
| 44 | 56381538 | 1 | SCR M5-.8X16 BTN HD SS | |
| K1 | 11282A | 2 | WHEEL KIT | Pos. 23, 24, 33, 36 |
| K2 | 11264A | 1 | DECAL KIT ALTO | Pos. 21, 22 |
| K2 | 11289A | 1 | DECAL KIT NILFISK ALTO | Pos. 21, 22 |
| K3 | 11265A | 1 | NILFISK ALTO MOTOR COVER KIT | Pos. 11, 35 |
| K5 | 56382001 | 1 | INSTALLATION TOOL AND HARDWARE KIT | Pos. 25, 27, 28, 29, 34, 37 |
| K6 | 56380089 | 1 | SPINDLE ASM | Pos. 3, 42, 43, 44 |
| K8 | 11267A | 1 | BOTTOM COVER KIT | Pos. 10, 15, 32 |
| K9 | 11283A | 1 | INLET KIT | Pos. 13, 16, 26, 31 |
| K10 | 56381579 | 1 | BELT TENSION ASM | Pos. 9, 41 |

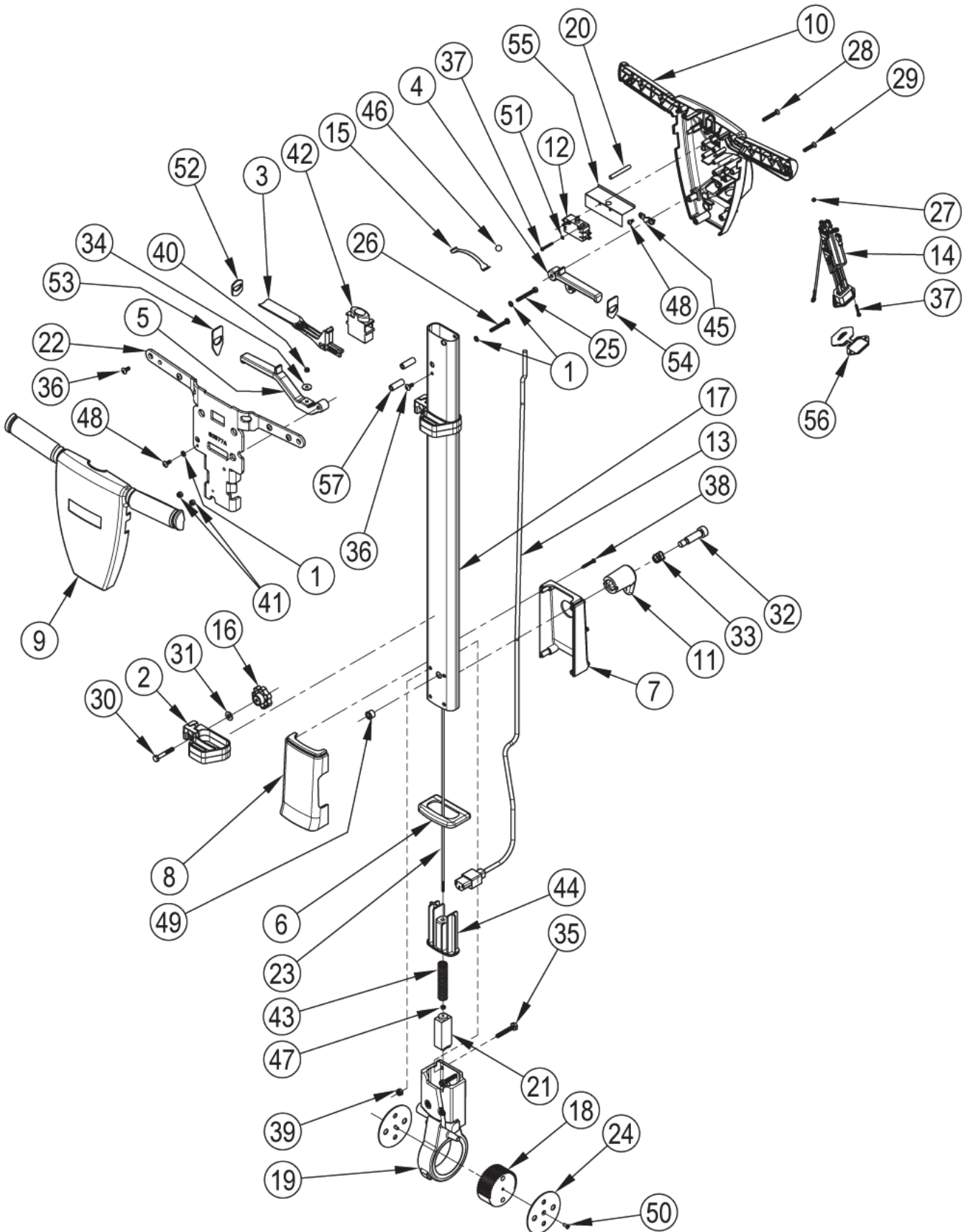
Handle system

SPINTEC 443 H

01-09-2012

Part List ID
SPINTEC44308

5



Handle system

SPINTEC 443 H

01-09-2012

Part List ID
SPIN I EC:44308

6

| Pos | Part no. | Qty | Description | |
|-----|----------|-----|------------------------------------|--|
| 12 | 40263A | 1 | SWITCH DPST | |
| 13 | 40269A | 1 | INTERCONNECT CORD | |
| 56 | VF73708 | 1 | WATERPROOF CAP | |
| K1 | 11269A | 1 | CORD WRAP KIT | Pos. 11, 12, 13, 32, 33 |
| K2 | 11279A | 1 | HANDLE COVER KIT | Pos. 9, 10, 28, 29 |
| K3 | 11273A | 1 | HANDLE SUPPORT KIT | Pos. 1, 22, 25, 26, 36, 41 |
| K4 | 11274A | 1 | HANDLE SWITCH LEVER KIT | Pos. 3, 4, 5, 15, 20, 34, 37,40,42 45, 46, 48, 51, |
| K5 | 11286A | 1 | RELEASE SPRING AND ROD KIT | Pos. 23, 34, 40, 43, 47 |
| K6 | 56381560 | 1 | POLISHER GEAR SET KIT | Pos. 18, 19, 21, 24, 50 |
| K7 | 56381561 | 1 | POLISHER GEAR HOUSING AND TUBE KIT | Pos. 17, 19, 35, 39, 44, 57 |
| K8 | 11270A | 1 | OUTLET KIT | Pos. 14, 27, 37 |
| K9 | 11268A | 2 | MOUNT ACCESSORY KIT | Pos. 2, 16, 30, 31 |
| K10 | 11271A | 1 | REAR AND FRONT COVER KIT | Pos. 6, 7, 8, 38, 49 |

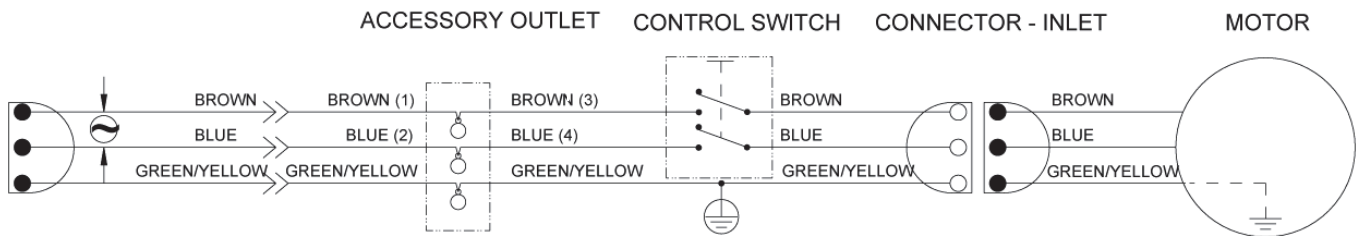
Wiring and recommended spare parts

SPINTEC 443 H

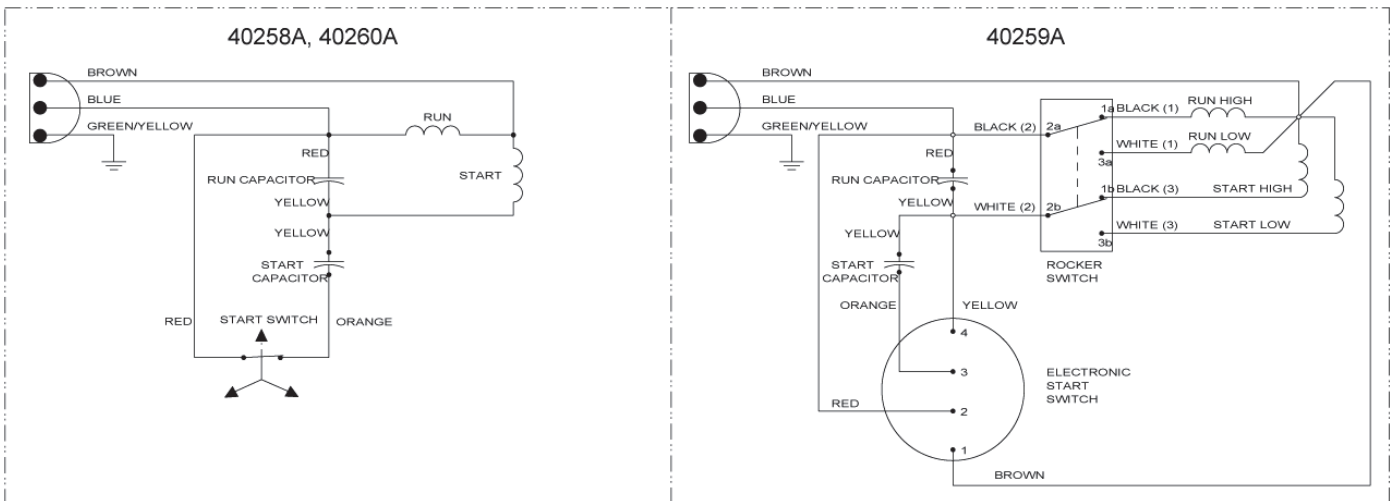
01-09-2012

Part List ID
SPINTEC44310

7



MOTOR DIAGRAM



Wiring and recommended spare parts

SPINTEC 443 H

01-09-2012

Part List ID
SPIN I EC:44310

8

| Pos | Part no. | Qty | Description | |
|-----|----------|-----|---------------------------------|--------------------|
| B | 11264A | 1 | DECAL KIT ALTO | EM |
| B | 11265A | 1 | NILFISK ALTO MOTOR COVER KIT | EM |
| B | 11267A | 1 | BOTTOM COVER KIT | EM |
| B | 11282A | 1 | WHEEL KIT | EM |
| B | 11283A | 1 | INLET KIT | EM |
| B | 11284A | 1 | SOLUTION FITTINGS KIT | EM |
| B | 11288A | 1 | NILFISK ALTO DS MOTOR COVER KIT | EM |
| B | 11289A | 1 | DECAL KIT NILFISK ALTO | EM |
| B | 30272A | 1 | BUMPER | OM |
| B | 40258A | 1 | MOTOR LOW SPEED | EM |
| B | 40259A | 1 | MOTOR DUAL SPEED | EM |
| B | 40260A | 1 | MOTOR HIGH SPEED | EM |
| B | 40264A | 1 | SWITCH ROCKER ON-ON | OM |
| B | 47378A | 1 | SWITCH MOTOR STARTING CLASSI | OM |
| B | 56380089 | 1 | SPINDLE ASM | EM |
| B | 56380090 | 1 | FLAT IDLER ASM | OM |
| B | 56380095 | 1 | MAINFRAME NILFISK ALTO 443 | EM |
| B | 56380096 | 1 | MAINFRAME NILFISK ALTO 443 H | EM |
| B | 56380099 | 1 | DRIVER | OM |
| B | 56380104 | 1 | BELT POLY V 838 PJ16 | OM |
| B | 56381562 | 1 | SADDLE START SWITCH | EM |
| B | 56381566 | 1 | BACK COVER | EM |
| B | 56381579 | 1 | BELT TENSION ASM | EM |
| B | 56381579 | 1 | BELT TENSION ASM | EM |
| B | 61956A | 1 | SHAFT WHEEL | EM |
| B | GT17003 | 1 | CAPACITOR | OM, SPINTEC 443 H |
| B | GT17004 | 1 | CAPACITOR | OM, SPINTEC 443 DS |
| B | VF14061 | 1 | BEARING 6006 | OM |
| B | VF32109 | 1 | RUNNING CAPACITOR 20UF/600V | OM |
| B | VF999848 | 1 | RUN CAPACITOR 23F/500V | OM |
| B | VF999849 | 1 | START CAPACITOR 100F/300V | OM, SPINTEC 443 |
| F | 40249A | 1 | CORD POWER UK | EM |
| F | 40268A | 1 | CORD POWER | EM |
| H | 11268A | 1 | MOUNT ACCESSORY KIT | OM |
| H | 11269A | 1 | CORD WRAP KIT | EM |
| H | 11270A | 1 | OUTLET KIT | EM |
| H | 11271A | 1 | REAR AND FRONT COVER KIT | EM |
| H | 11273A | 1 | HANDLE SUPPORT KIT | EM |
| H | 11274A | 1 | HANDLE SWITCH LEVER KIT | OM |
| H | 11279A | 1 | HANDLE COVER KIT | EM |
| H | 11286A | 1 | RELEASE SPRING AND ROD KIT | EM |
| H | 40263A | 1 | SWITCH DPST | OM |

Pos. B = Base system, Pos. F = Final assembly, Pos. H = Handle assembly

Commet - Class:

W = Normal Wear

OM = Ordinary Maintenance

Ersatzteile auf www.gluesing.net

Wiring and recommended spare parts

SPINTEC 443 H

01-09-2012

Part List ID
SPIN I EC:44310

9

| Pos | Part no. | Qty | Description | |
|-----|----------|-----|------------------------------------|----|
| H | 40269A | 1 | INTERCONNECT CORD | EM |
| H | 56381560 | 1 | POLISHER GEAR SET KIT | EM |
| H | 56381561 | 1 | POLISHER GEAR HOUSING AND TUBE KIT | EM |
| H | VF73708 | 1 | WATERPROOF CAP | EM |

Pos. B = Base system, Pos. F = Final assembly, Pos. H = Handle assembly

Commet - Class:

W = Normal Wear

OM = Ordinary Maintenance

Ersatzteile auf www.gluesing.net

Brush selector guide

SPINTEC 443 H

01-09-2012

Part List ID
SPINTEC44312

10

17" (430 mm) Brush Selection Chart (RECOMMENDED)

| Part No. | Description | Filament | Trim |
|----------|------------------------------|---|-----------|
| 11296A | Polishing | Union Mix (50% PALMYRA 50% White Tampico) | Straight |
| 11297A | Carpet | Ø .30mm PA 66 Natural | Straight |
| 11298A | Light-Medium Cleaning | Ø .35mm PP Grey | Straight |
| 11299A | Medium-Heavy Cleaning | Ø .50mm PP Black | Straight |
| 11310A | Heavy Cleaning/ Stripping | 50/80/30 Silicon Carbide | Irregular |

| Description | P/N | 56380065 Spintec 443 | 56380066 Spintec 443 UK | 56380068 Spintec 443 H | 56380069 Spintec 443 H UK | 56380070 Spintec 443 DS | 56380071 Spintec 443 DS UK |
|--------------------------------|----------|----------------------------|-------------------------------|------------------------------|---------------------------------|-------------------------------|----------------------------------|
| Polishing Brush | 11296A | | | X | X | X | X |
| Carpet Brush | 11297A | X | X | | | | |
| Light-Medium Cleaning Brush | 11298A | X | X | | | X | X |
| Medium Cleaning Brush | 11299A | X | X | | | X | X |
| Heavy Cleaning/Stripping Brush | 11310A | X | X | | | X | X |
| Low Speed Pad Driver | 11315A | X | X | | | X | X |
| Flex Pad Driver | 11316A | X | X | X | X | X | X |
| Flex Pad Driver W/Foam | 56381578 | X | X | X | X | X | X |
| BLACK 406mm PAD 5 PK | | X | X | | | X | X |
| BROWN 406mm PAD 5 PK | | X | X | | | X | X |
| GREEN 406mm PAD 5 PK | | X | X | | | X | X |
| BLUE 406mm PAD 5 PK | | X | X | | | X | X |
| RED 406mm PAD 5 PK | | X | X | X | X | X | X |
| WHITE 406mm PAD 5 PK | | X | X | X | X | X | X |

Black – Stripping – For long lasting, heavy duty stripping.

Brown – Stripping – For fast, uniform stripping, wet or dry.

Green – Scrubbing – For wet, heavy duty scrubbing.

Blue – Scrubbing – For wet, medium duty scrubbing.

Red – Buffing – For dry buffing, spray buffing or light duty scrubbing.

White – Polishing – For dry polishing or with the water mist to ensure high gloss.

Brush selector guide

SPINTEC 443 H

01-09-2012

Part List ID
SPIN I EC:44312

11

| Pos | Part no. | Qty | Description |
|-----|----------|-----|--------------------------------------|
| 1 | 11296A | 1 | POLISHING BRUSH 430MM |
| 2 | 11297A | 1 | CARPET BRUSH 430MM |
| 3 | 11298A | 1 | LIGHT-MEDIUM CLEANING BRUSH 430MM |
| 4 | 11299A | 1 | MEDIUM-HEAVY CLEANING BRUSH 430MM |
| 5 | 11310A | 1 | HEAVY CLEANING STRIPPING BRUSH 430MM |
| 10 | 11315A | 1 | LOW SPEED PAD DRIVER |
| 11 | 11316A | 1 | FLEXIBLE PAD DRIVER 430MM |
| 12 | 56381578 | 1 | FLEXI PAD DRIVER W FOAM |
| 20 | | 1 | PAD 16 406MM BLACK 5PCS |
| 21 | | 1 | PAD 16 406MM GREEN 5PCS |
| 22 | | 1 | PAD 16 406MM WHITE 5PCS |
| 23 | | 1 | PAD 16 406MM RED 5PCS |
| 24 | | 1 | PAD 16 406MM BLUE 5PCS |
| 25 | | 1 | PAD 16 406MM BROWN 5PCS |

Accessories

SPINTEC 443 H

01-09-2012

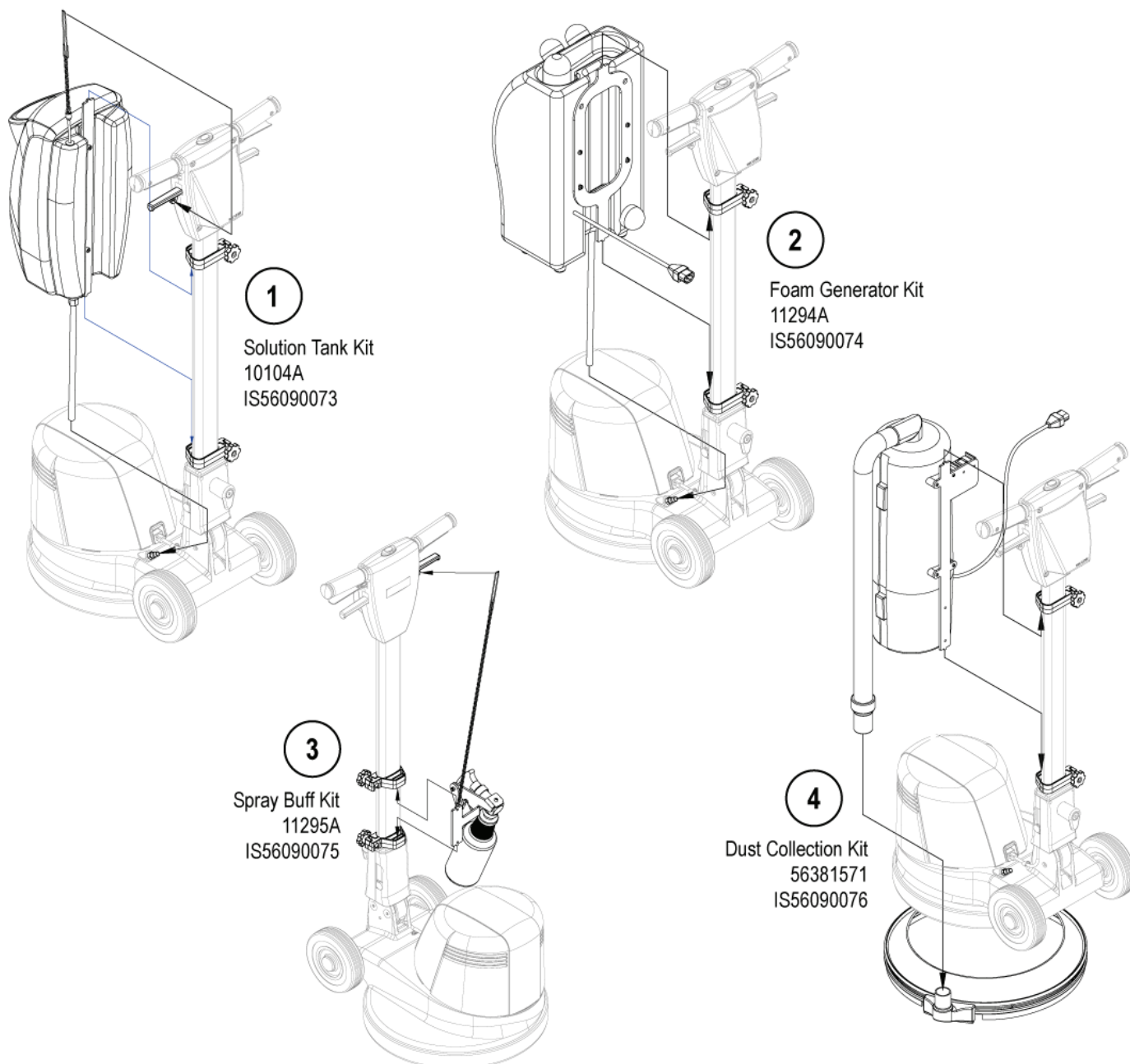
Part List ID
SPINTEC44316

12

| Description | P/N | 56380065 Spintec 443 | 56380066 Spintec 443 UK | 56380068 Spintec 443 H | 56380069 Spintec 443 H UK | 56380070 Spintec 443 DS | 56380071 Spintec 443 DS UK |
|--------------------------|----------|----------------------------|-------------------------------|------------------------------|---------------------------------|-------------------------------|----------------------------------|
| Literature Pack | 56044439 | X | X | X | X | X | X |
| (1) Solution Tank Kit* | 10104A | X | X | | | X | X |
| (2) Foam Generator Kit* | 11294A | X | X | | | | |
| (3) Spray Buff Kit* | 11295A | X | X | X | X | X | X |
| (4) Dust Collection Kit* | 56381571 | | | X | X | X | X |

* = Optional, Not Included

NOTE = Replacement parts for the accessory kits listed above (1-4) can be found on each kit's associated instruction sheet.



Ersatzteile auf www.gluesing.net

Accessories

SPINTEC 443 H

01-09-2012

Part List ID
SPIN I EC:44316

13

| Pos | Part no. | Qty | Description |
|-----|----------|-----|-----------------------|
| 1 | 10104A | 1 | SOLUTION TANK ACC KIT |
| 3 | 11295A | 1 | SPRAY BUFF KIT |
| 4 | 56381571 | 1 | DUST COLLECTION KIT |

Solution tank kit 10104A

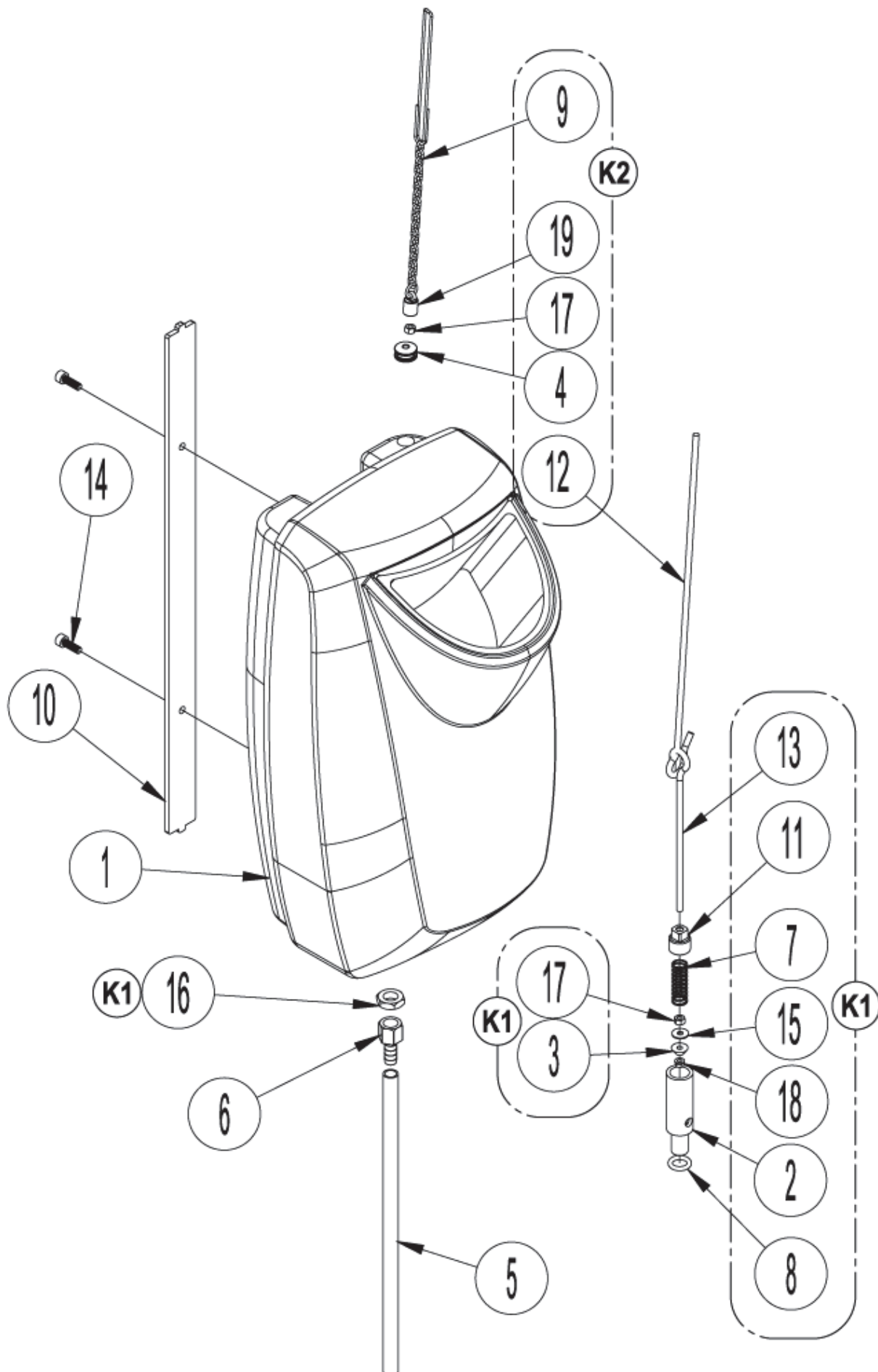
SPINTEC 443 H

01-09-2012

Part List ID

56090073

14



Ersatzteile auf www.gluesing.net

Solution tank kit 10104A

SPINTEC 443 H

01-09-2012

Part List ID
56090073

15

| Pos | Part no. | Qty | Description |
|-----|----------|-----|----------------------------------|
| 0 | 10104A | 1 | SOLUTION TANK ACC KIT |
| 1 | 30249A | 1 | TANK SOLUTION |
| 3 | VF40134 | 1 | SEAL RUBBER |
| 5 | 30869A | 1 | TUBING VINYL |
| 10 | 60023A | 1 | BRACKET MOUNTING SOLUTION TANK |
| 14 | VF13498 | 2 | SCREW M6X20 |
| K1 | 11278A | 1 | SOLUTION VALVE ASSEMBLY |
| K2 | 11277A | 1 | SOLUTION TANK UPPER HARDWARE KIT |

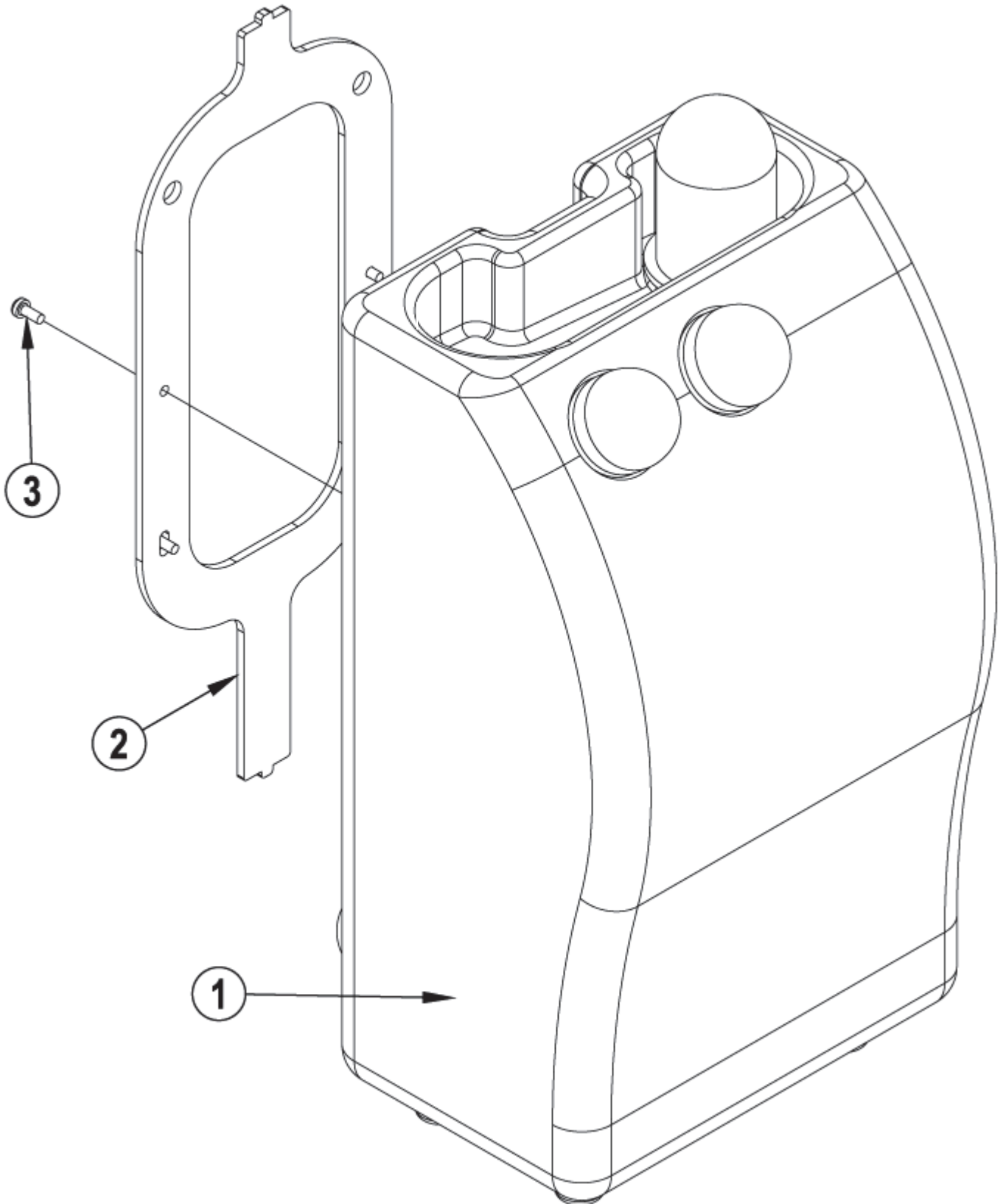
Foam generator kit 11294A

SPINTEC 443 H

01-09-2012

Part List ID
56090074

16



Foam generator kit 11294A

SPINTEC 443 H

01-09-2012

Part List ID
56090074

17

| Pos | Part no. | Qty | Description |
|-----|----------|-----|---------------------------------|
| 2 | 60459A | 1 | BRACKET FOAM GENERATOR MOUNTING |
| 3 | GT13054 | 1 | SCREW PAN HEAD M5X12 |

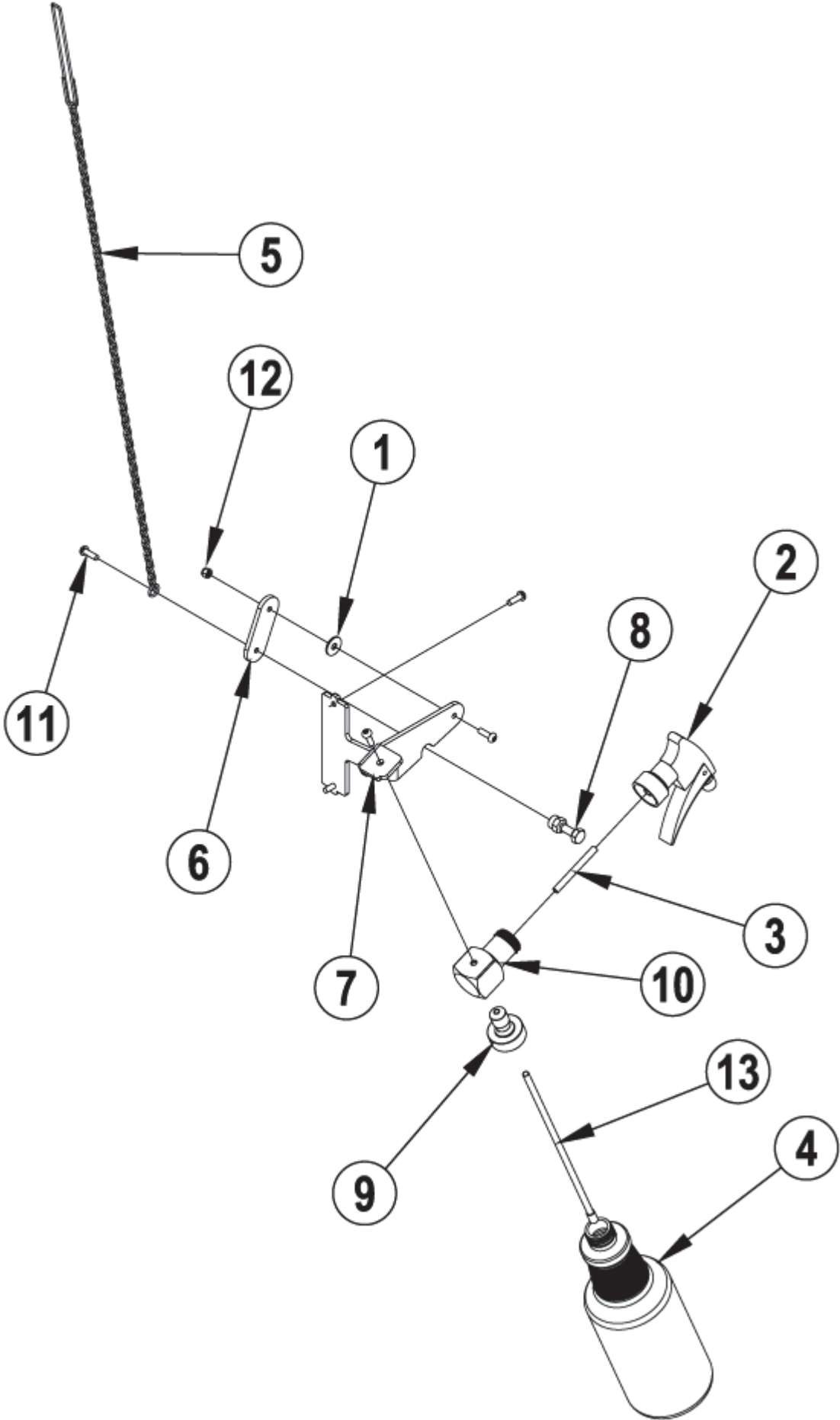
Spray buff kit 11295A

SPINTEC 443 H

01-09-2012

Part List ID
56090075

18



Ersatzteile auf www.gluesing.net

Spray buff kit 11295A

SPINTEC 443 H

01-09-2012

Part List ID
56090075

19

| Pos | Part no. | Qty | Description |
|-----|----------|-----|---|
| 0 | 11295A | 1 | SPRAY BUFF KIT |
| 1 | | 1 | NOTE COMMENT Washerfl t.750x.250x.062Nylon |
| 2 | | 1 | NOTE COMMENT Spray Buff Pump |
| 3 | | 1 | NOTE COMMENT Tube |
| 4 | | 1 | NOTE COMMENT Bottle Plastic Quart Carafe |
| 5 | | 1 | NOTE COMMENT Chain Asm |
| 6 | | 1 | NOTE COMMENT Link Spray Buff |
| 7 | | 1 | NOTE COMMENT Bracket Spray Buff |
| 8 | | 1 | NOTE COMMENT Actuator |
| 9 | | 1 | NOTE COMMENT Mount |
| 10 | | 1 | NOTE COMMENT Adaptor |
| 11 | | 5 | SCREW M5 X 16 |
| 12 | | 1 | NOTE COMMENT Nut M5 Ss Nylon Insert |
| 13 | | 1 | NOTE COMMENT Tube Dip |
| K1 | 56382005 | 1 | SPRAY BUFF REPAIR KIT Includes pos. 2,3,4,5,8,11,13 |

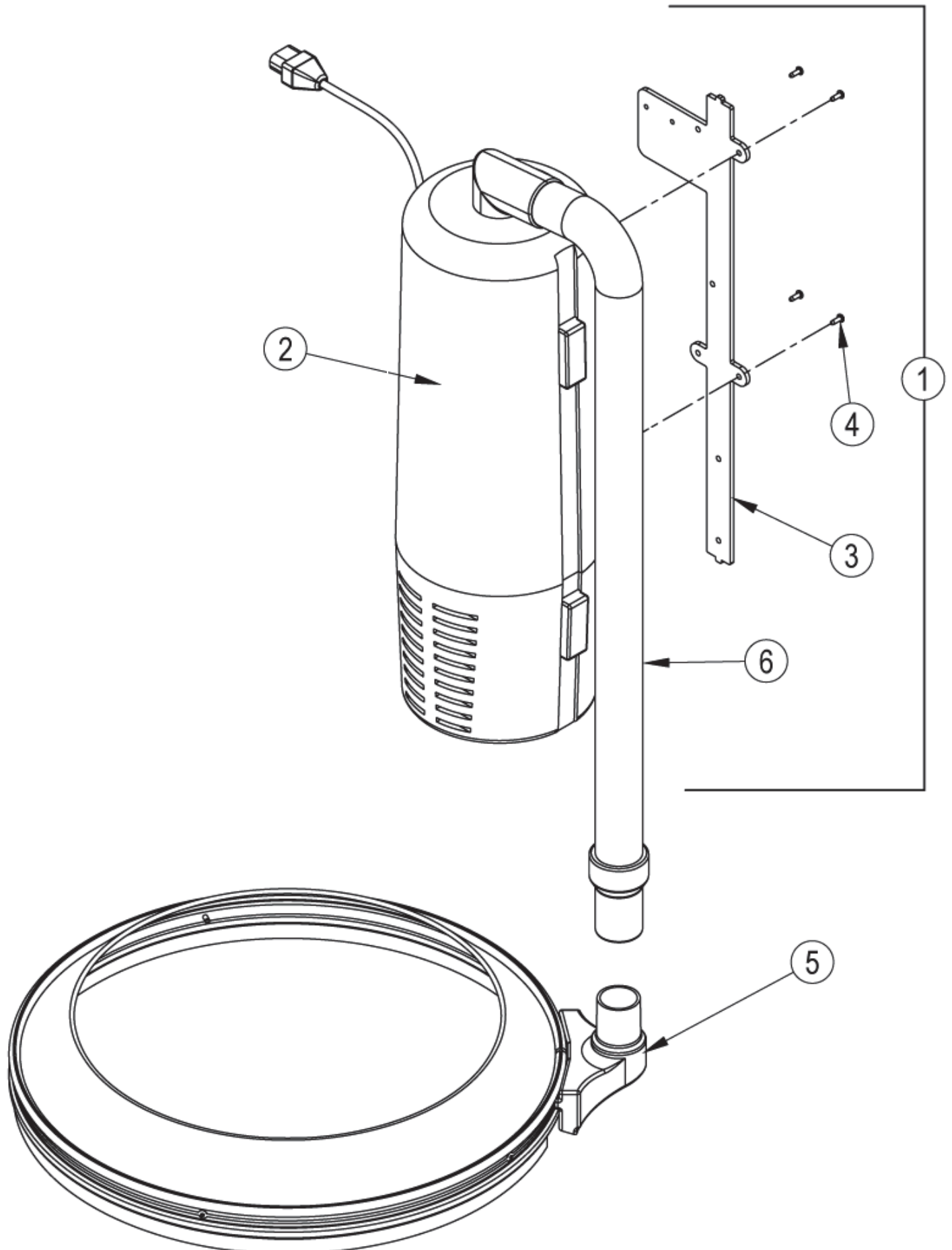
Dust collection kit 56381571

SPINTEC 443 H

01-09-2012

Part List ID
56090076

20



Ersatzteile auf www.gluesing.net

Dust collection kit 56381571

SPINTEC 443 H

01-09-2012

Part List ID
560900/6

21

| Pos | Part no. | Qty | Description |
|-----|--------------|-----|--|
| 0 | 56381571 | 1 | DUST COLLECTION KIT |
| 1 | | 1 | NOTE COMMENT Dust Control Assy NOTE 1 |
| 2 | | 1 | NOTE COMMENT Vacuum Assembly |
| 3 | | 1 | NOTE COMMENT Bracket |
| 4 | | 4 | NOTE COMMENT Screw M4-1.79 x 20mm |
| 5 | 10394A | 1 | DUST SKIRT ASM |
| 6 | 147 1237 500 | 1 | HOSE CPL.L1250 |
| NI | 147 1098 500 | 1 | DUST BAG KIT 5L 5-P |

NOTE 1: Refer to the GD 5, GD 10, GD 5 Battery parts list for Dust Control
Assy replacement parts.

Ersatzteile auf www.gluesing.net